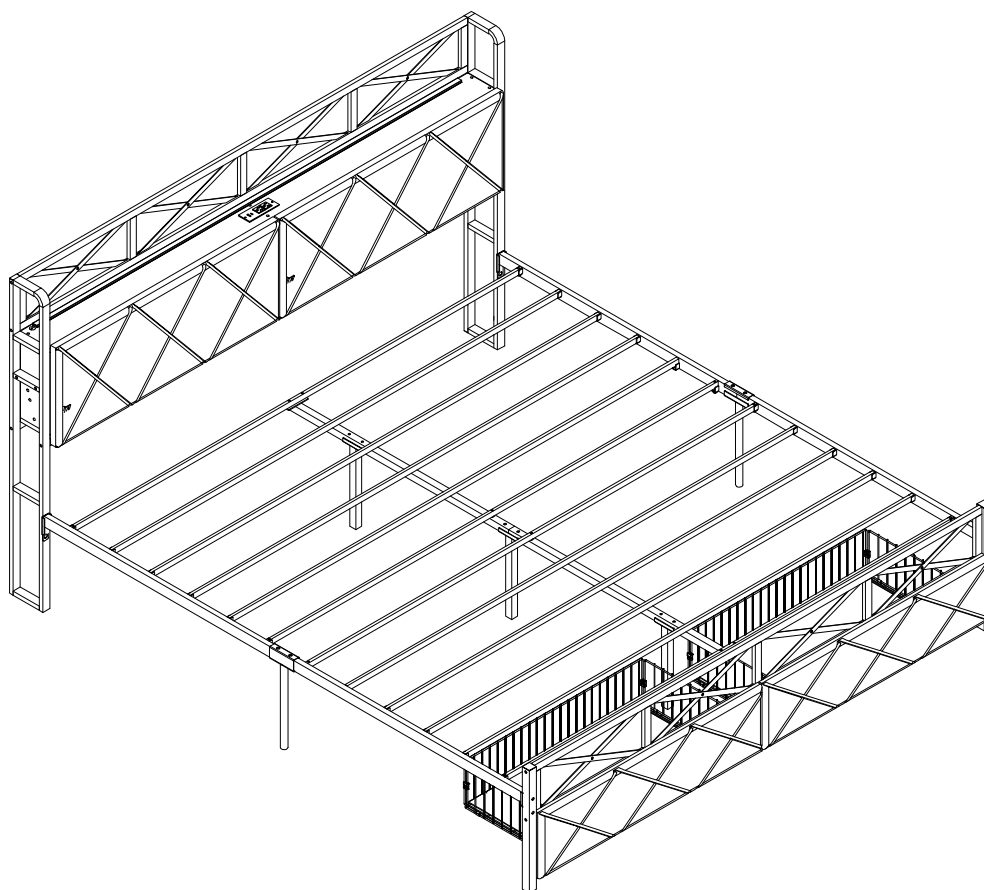


ASSEMBLY INSTRUCTIONS

DEAR CUSTOMER,


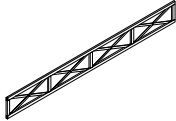
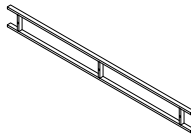
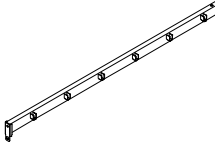
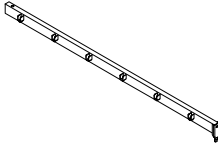

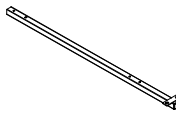
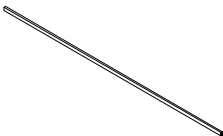
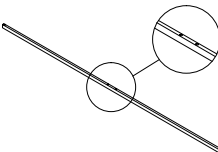
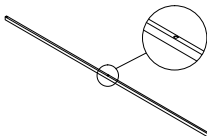

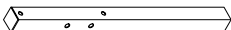
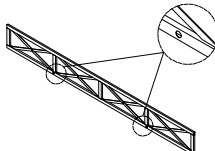
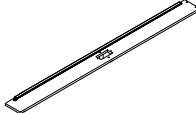
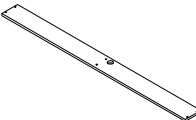


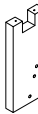
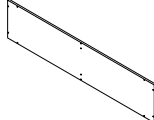


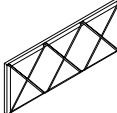
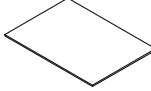
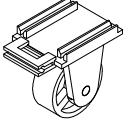
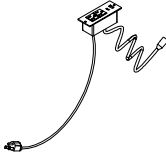

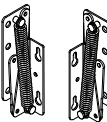
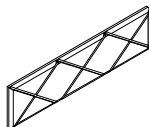
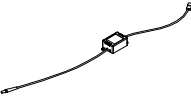
Caution:

1. Please read all instructions before assembly and check the carton for any parts that may have come loose during shipment. It is recommended to use two or more persons during the assembly process.
2. Please do not discard any packaging before you have checked all the parts and fittings are included. if for any reason this product needs to be returned it must be returned packed in its original packaging.
3. Assemble this product on a flat and clean surface to avoid scratching.




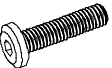
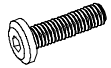
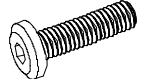



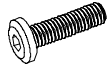
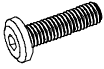


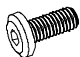

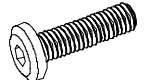
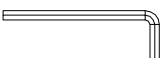
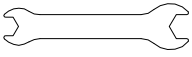
Hardware List

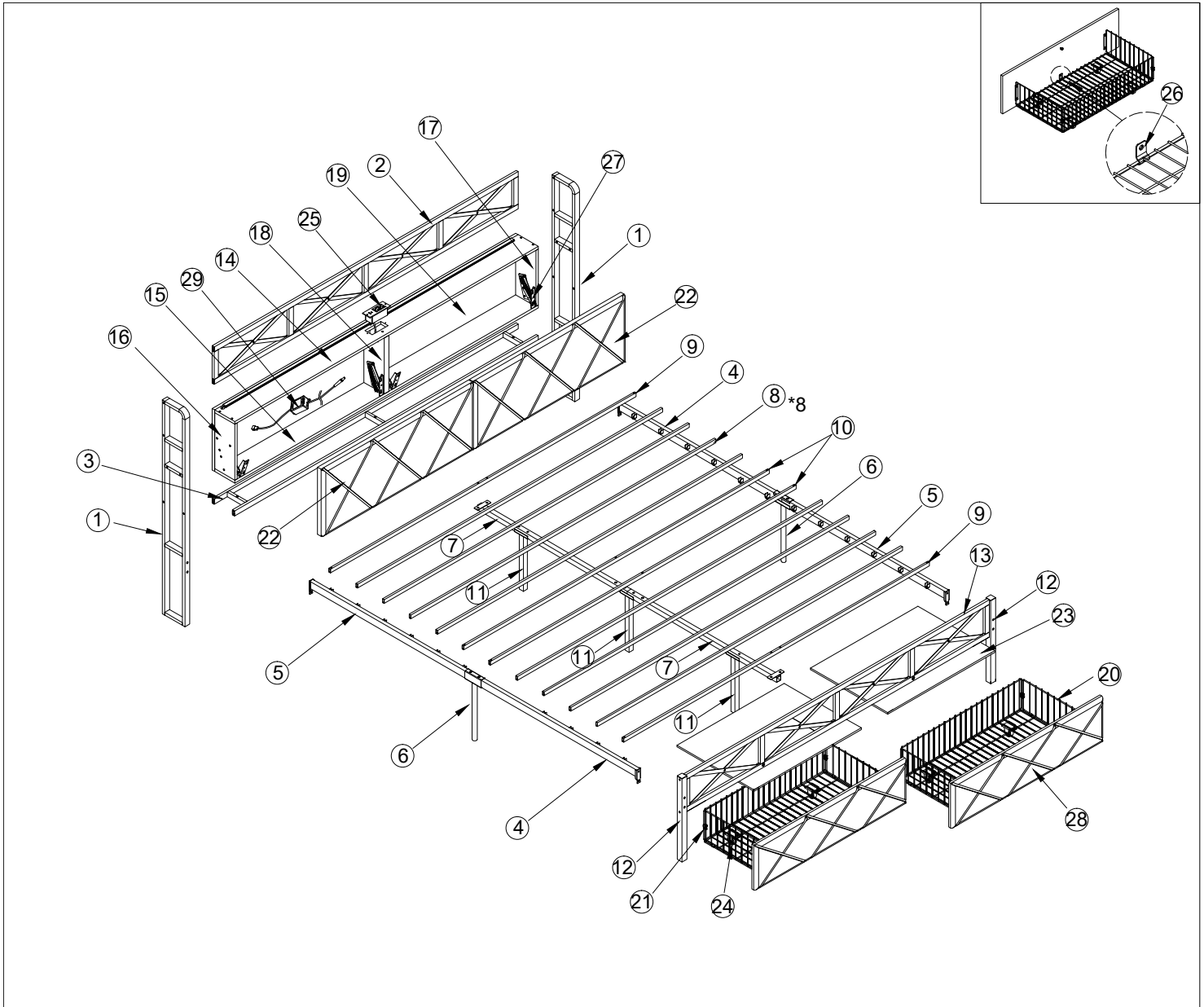
 Pls make sure all the accesories are complete!



				
① 2PCS	② 1PC	③ 1PC	④ 2PCS	⑤ 2PCS
				
⑥ 2PCS	⑦ 2PCS	⑧ 8PCS	⑨ 2PCS	⑩ 2PCS
				
⑪ 3PCS	⑫ 2PCS	⑬ 1PC	⑭ 1PC	⑮ 1PC
				
⑯ 1PC	⑰ 1PC	⑱ 1PC	⑲ 1PC	⑳ 2PCS
	 BIG			
㉑ 4PCS	㉒ 2PCS	㉓ 2PCS	㉔ 8PCS	㉕ 1PC
		 SMALL		
㉖ 2PCS	㉗ 2SET	㉘ 2PCS	㉙ 1PC	

Hardware List

 Pls make sure all the accesories are complete!

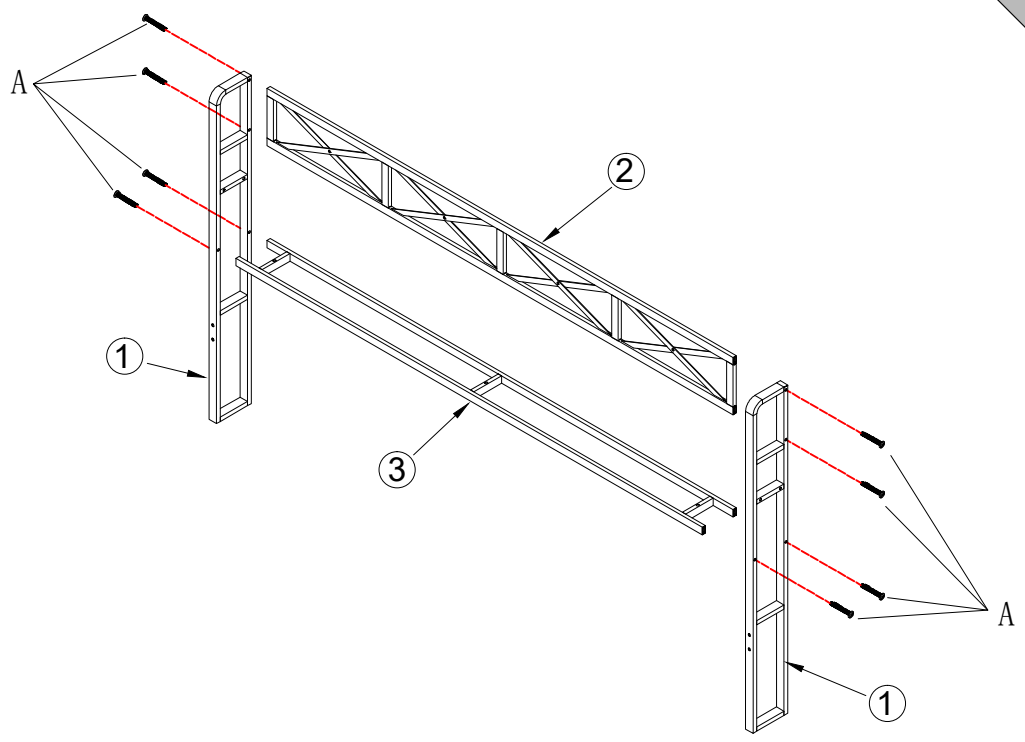
 M6*45mm (A) 12PCS	 M6*40mm (B) 4PCS	 M6*35mm (C) 15PCS	 M8*30mm (D) 4PCS	 M8 (E) 8PCS
 M8*55 (F) 4PCS	 φ8 (G) 8PCS	 M6*20mm (H) 8PCS	 M5*25mm (I) 8PCS	 φ6*32 (J) 26PCS
 φ3*12 (K) 2PCS	 M6*12mm (L) 24PCS	 φ6 (M) 4PCS	 M8*45 (N) 4PCS	 1PC
 1PC				





	
M6*45mm	
A	8 PCS
	1 PC

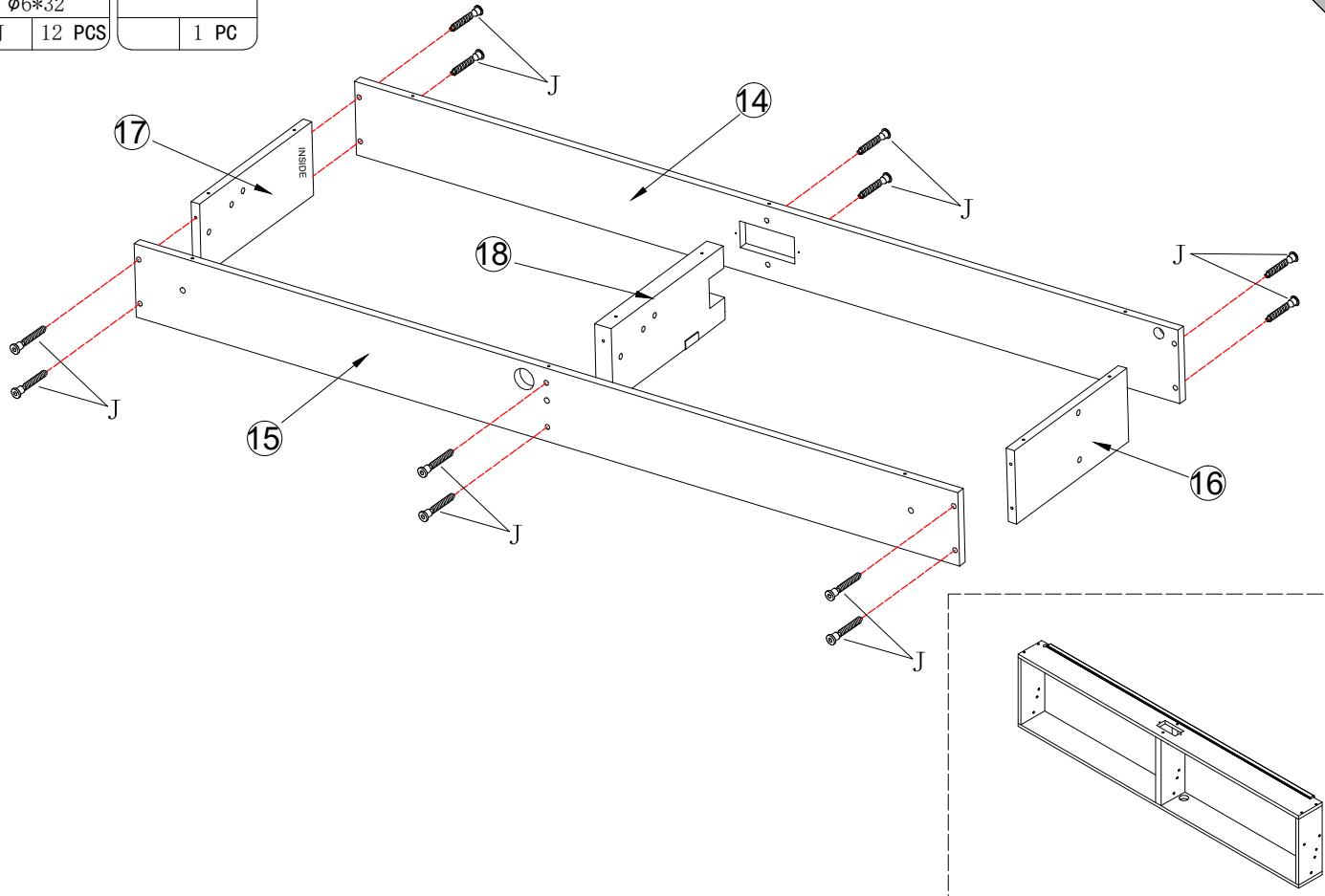
Please don't tighten the screws completely




1



	
φ6*32	
J 12 PCS	1 PC

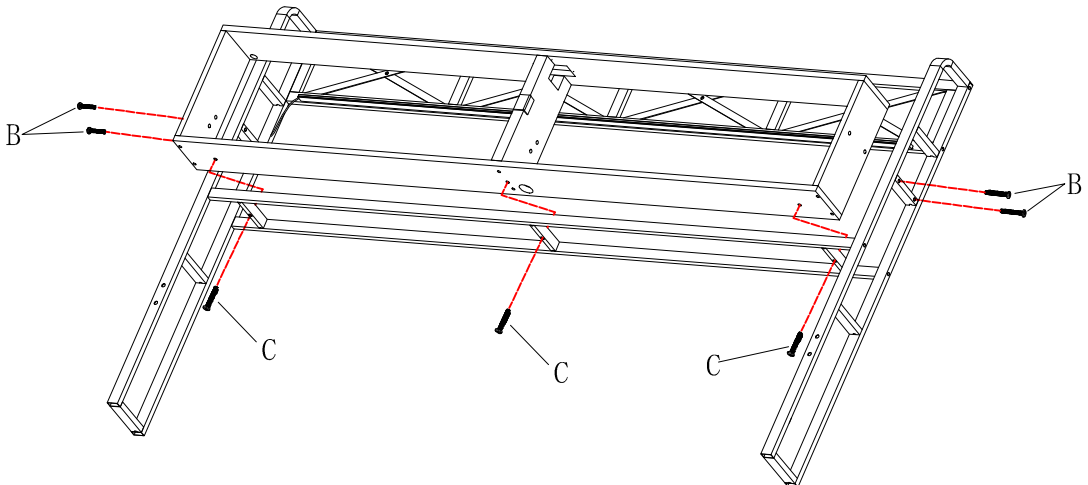
2

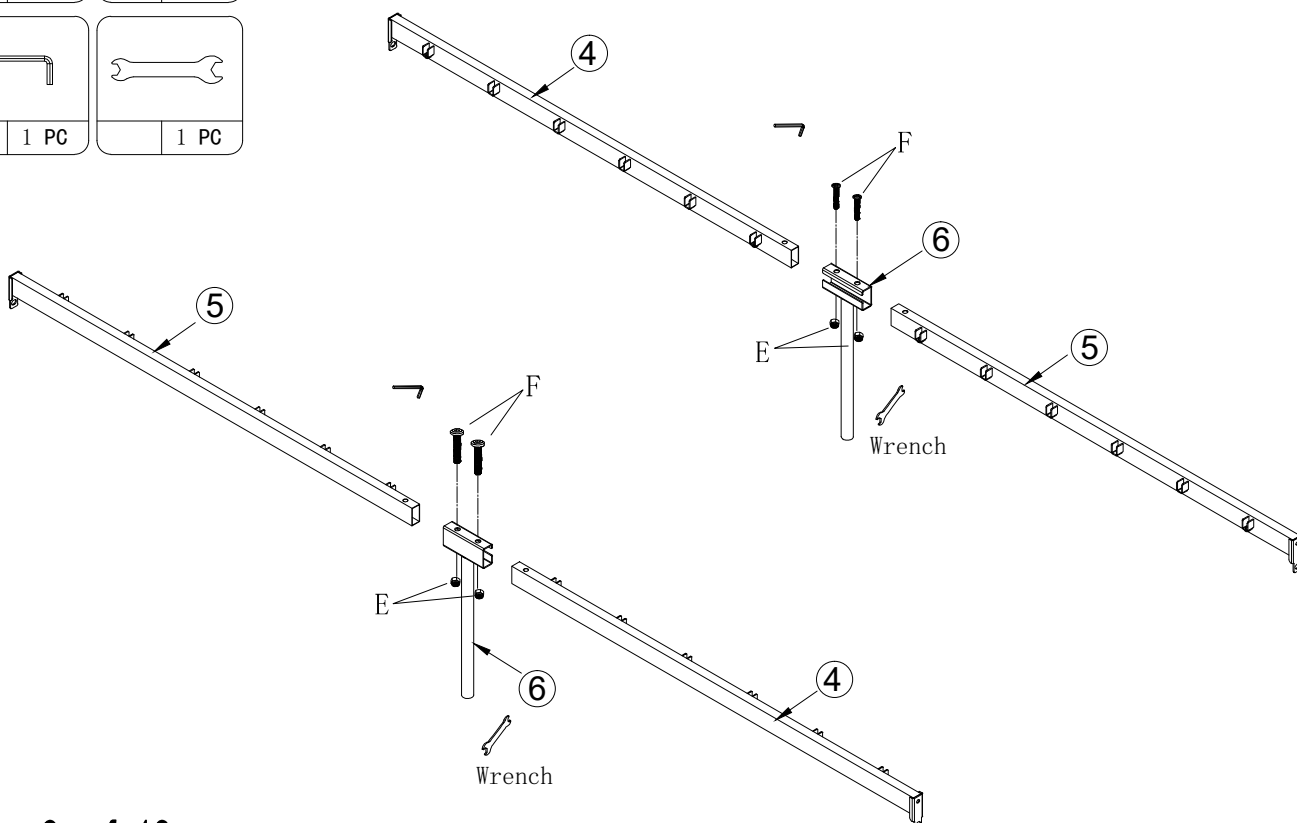
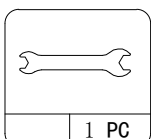
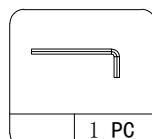
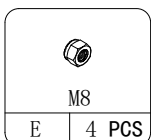
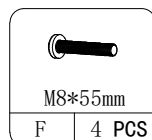
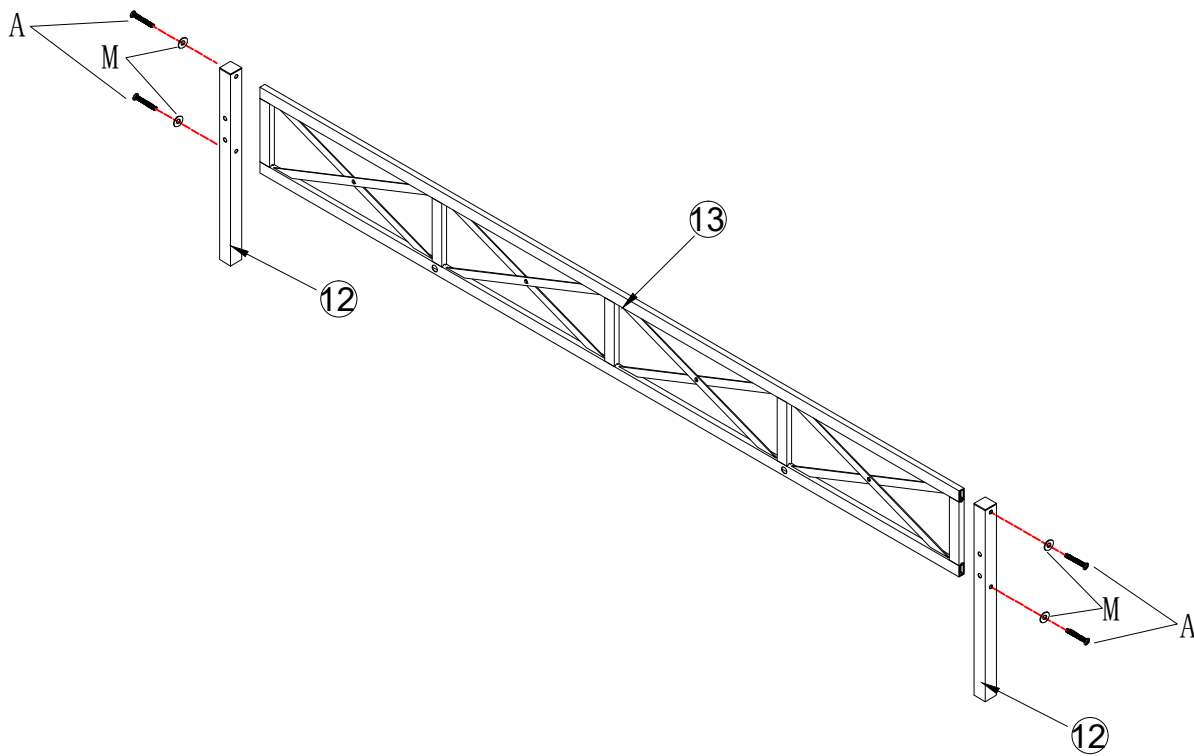
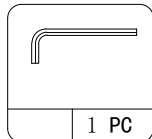
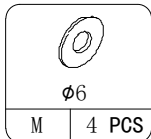
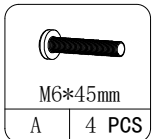


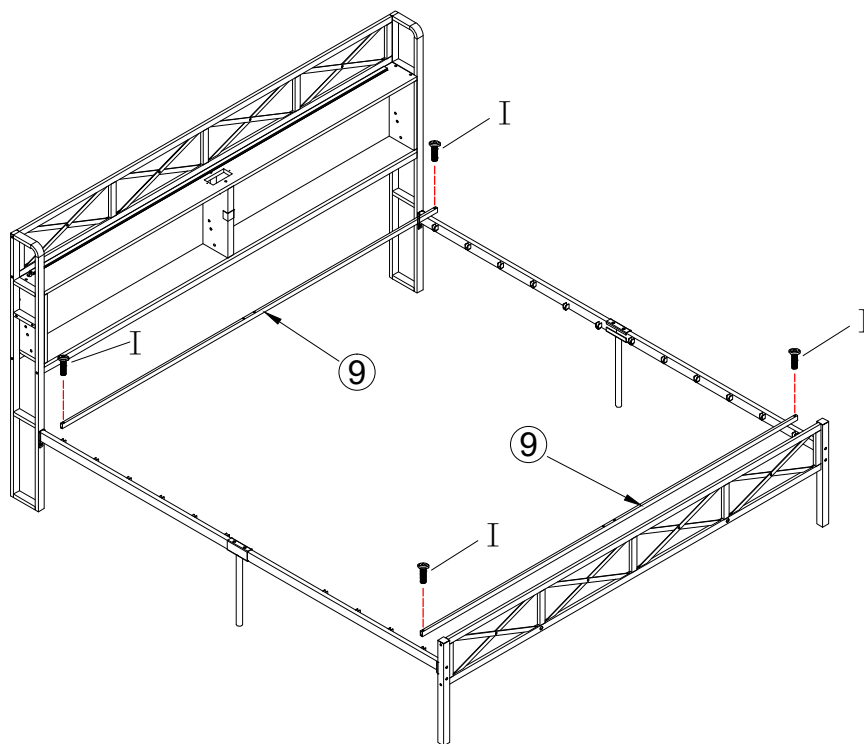
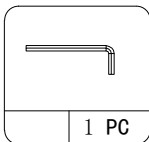
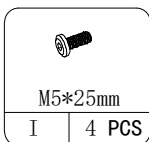
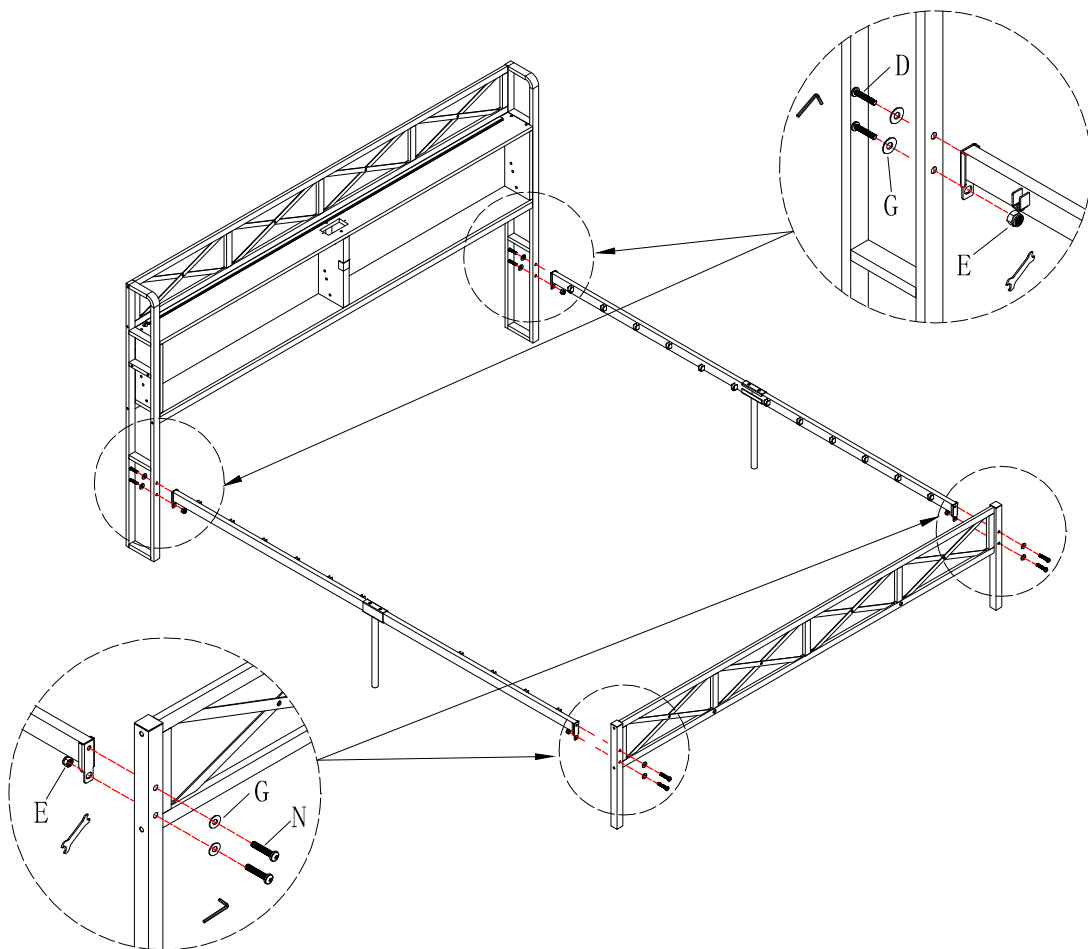
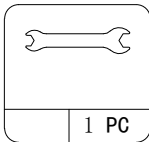
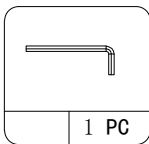
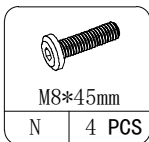
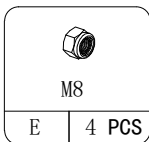
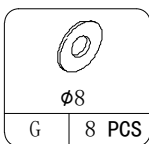
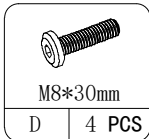
		
M6*40mm	M6*35mm	
B 4 PCS	C 3 PCS	1 PC

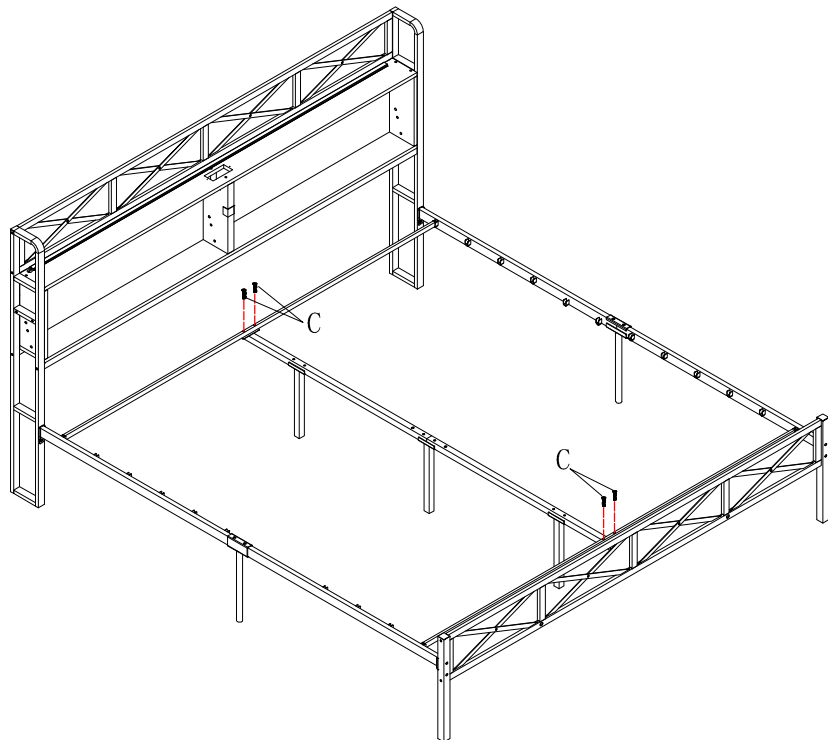
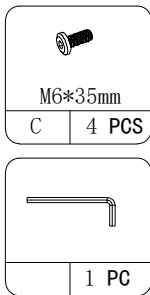
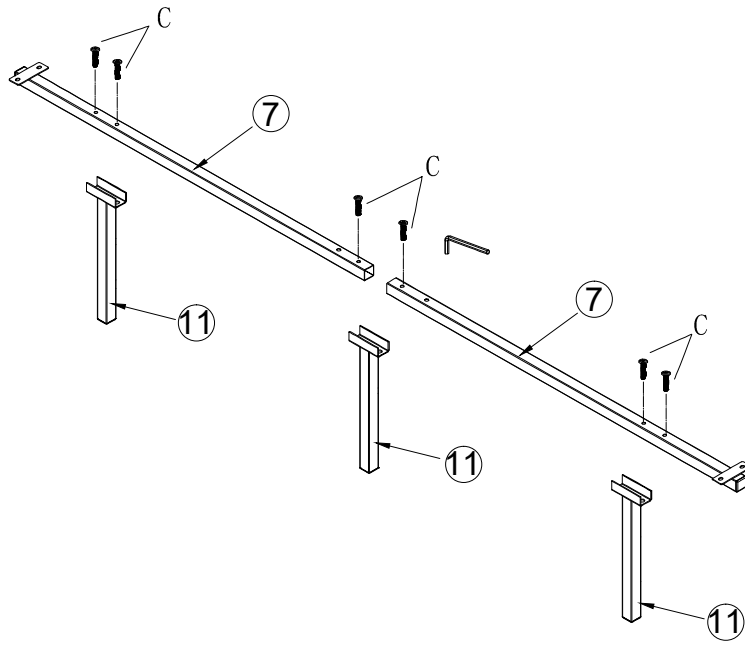
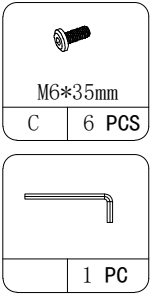
3




Please pay attention to the installation direction

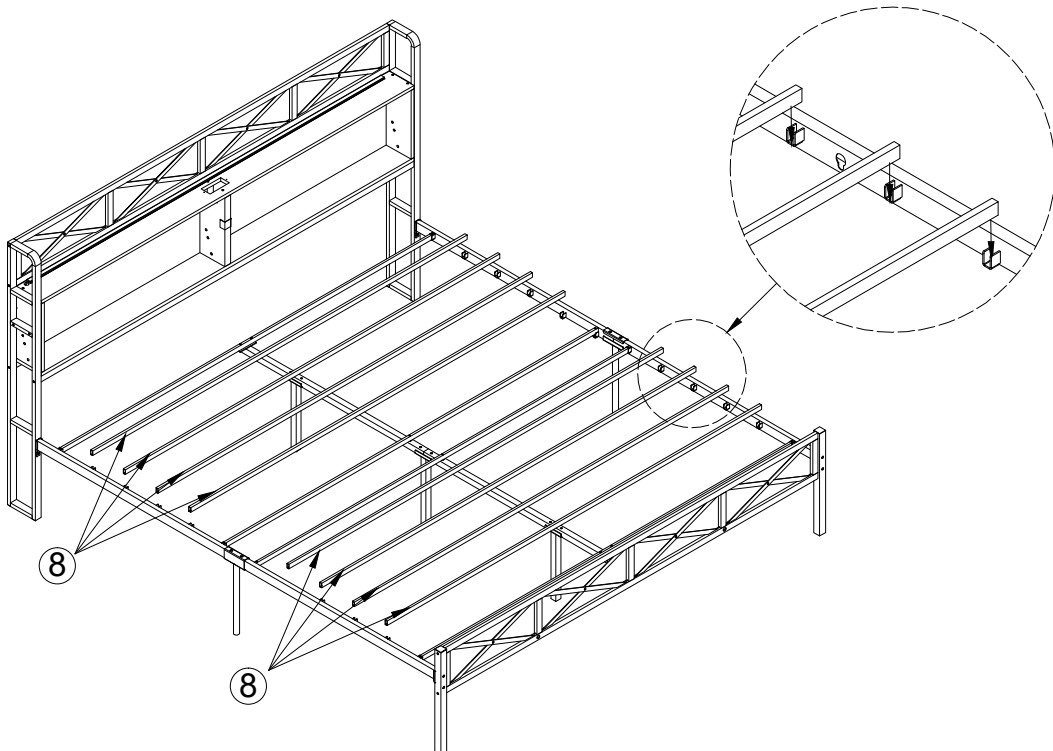
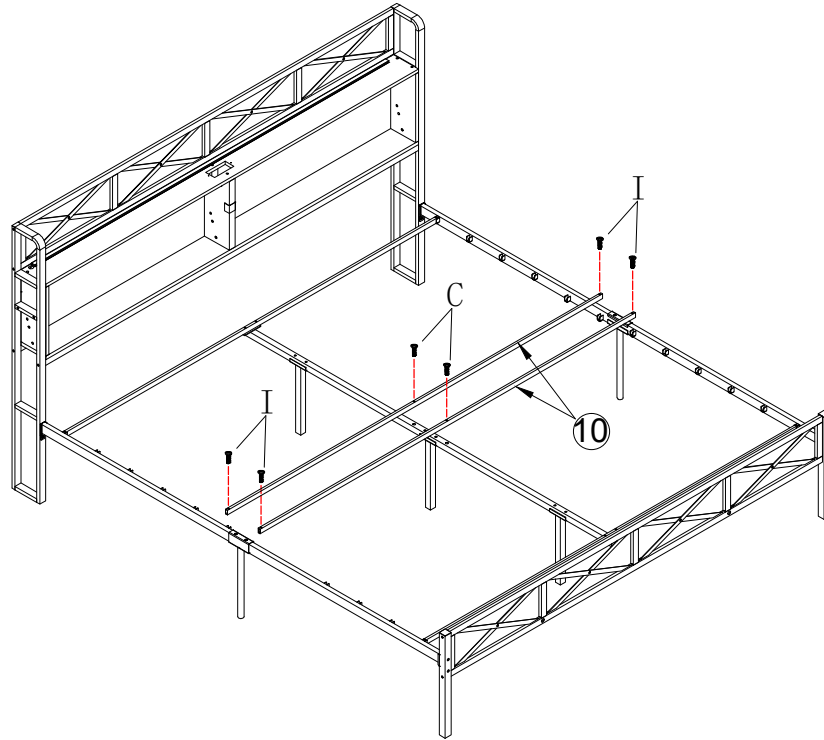








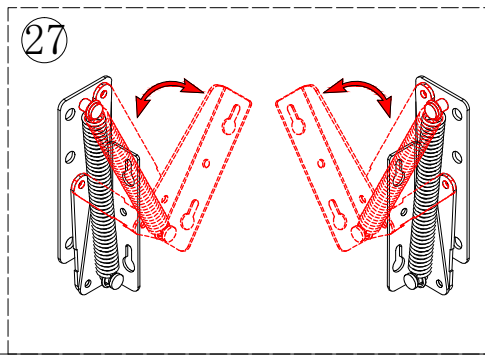
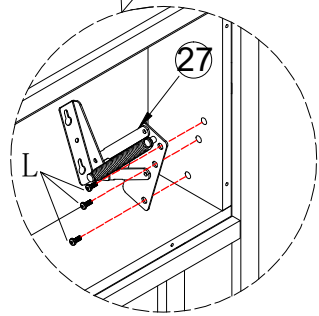
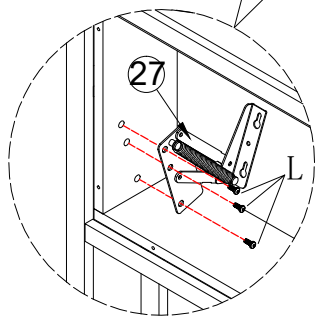
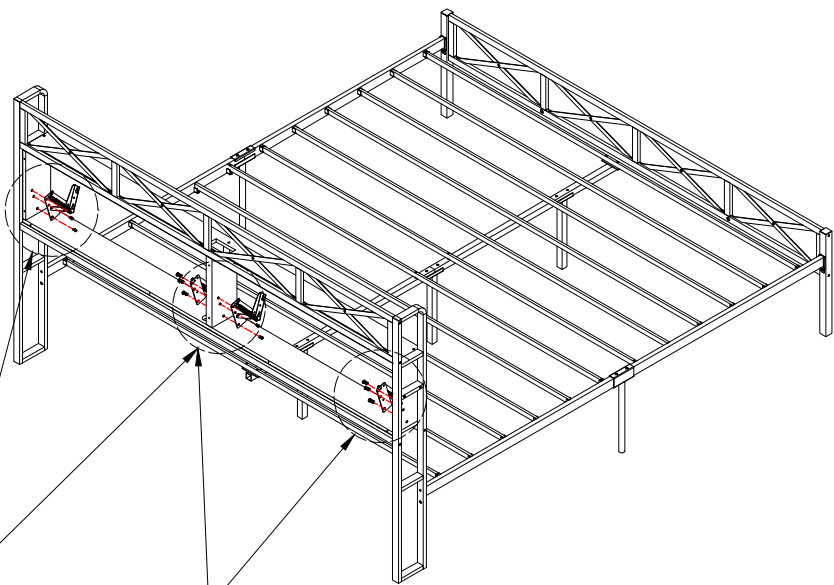



	
M5*25mm	
I	4 PCS
	
M6*35mm	
C	2 PCS
	
1 PC	




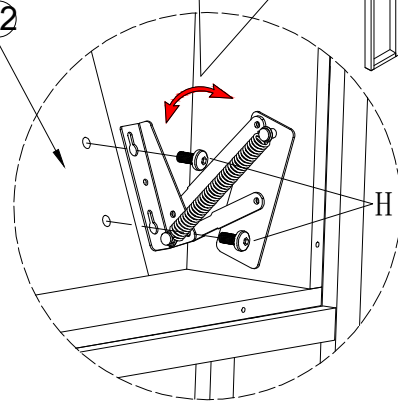
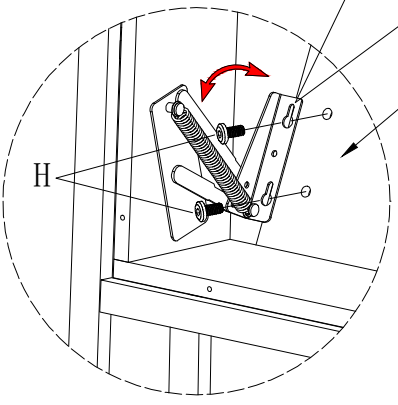
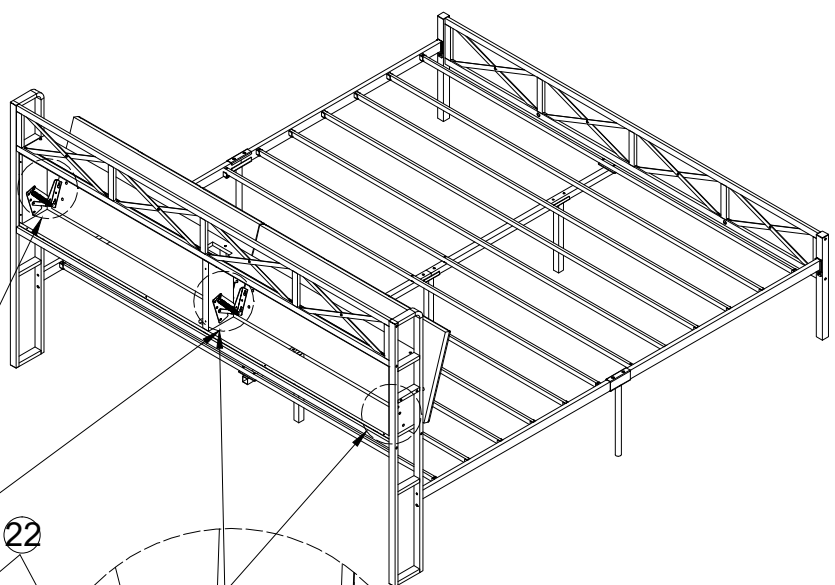

M6*12mm
L 12 PCS




1 PC

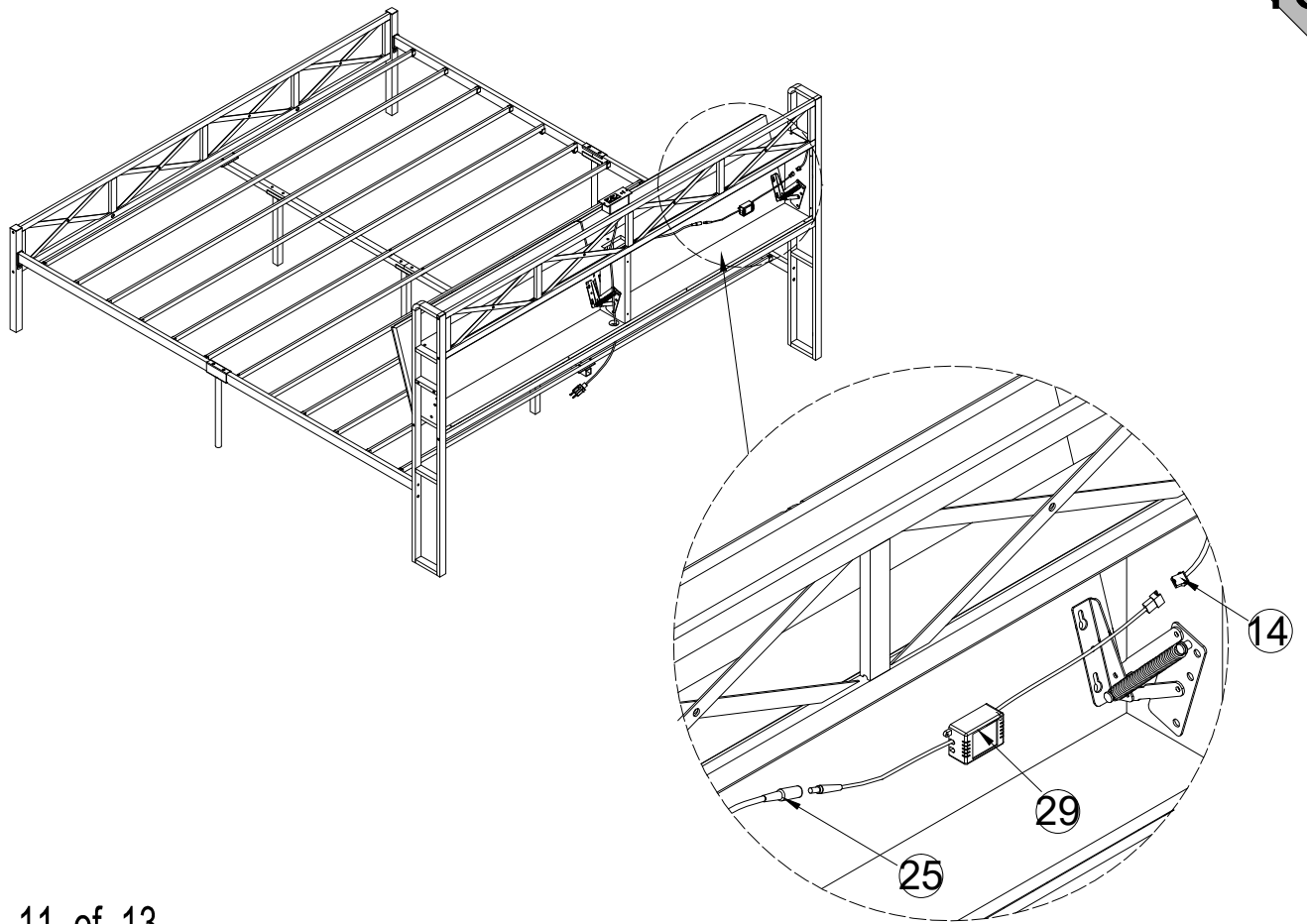
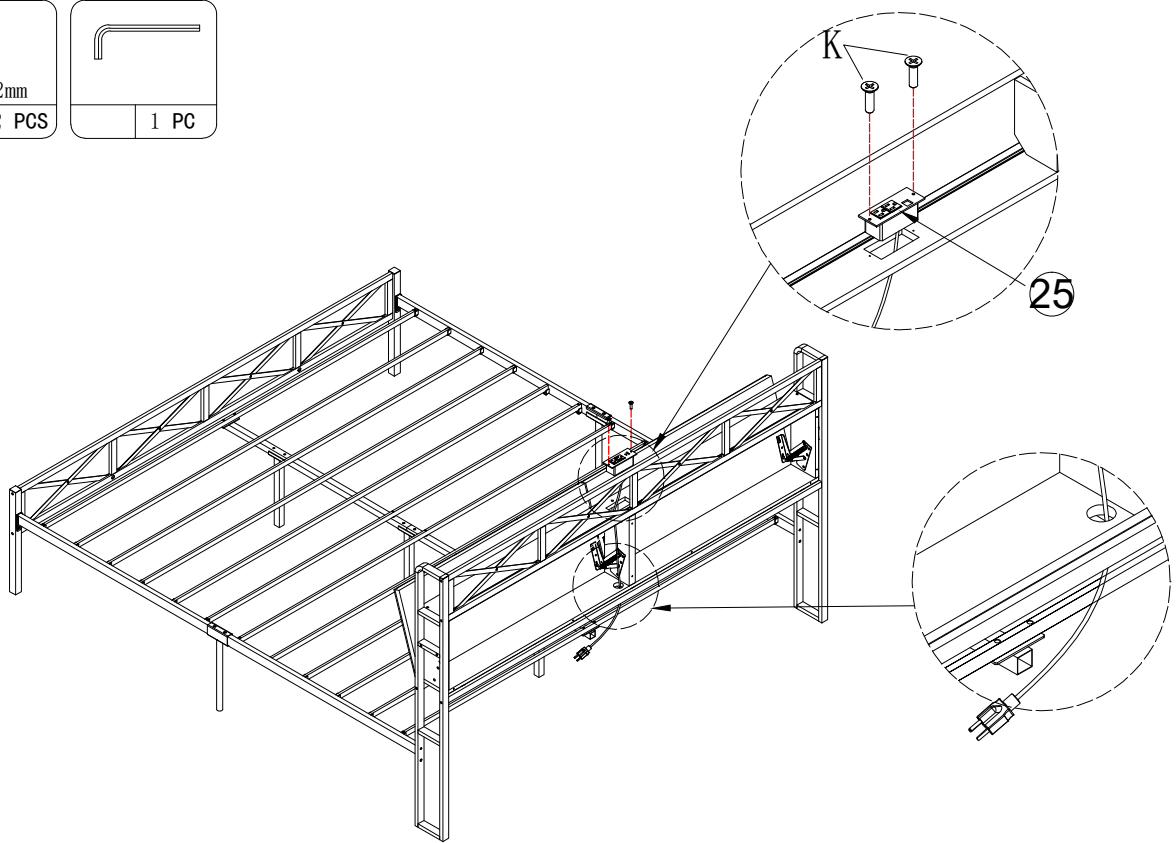



M6*20mm
H 8 PCS


1 PC

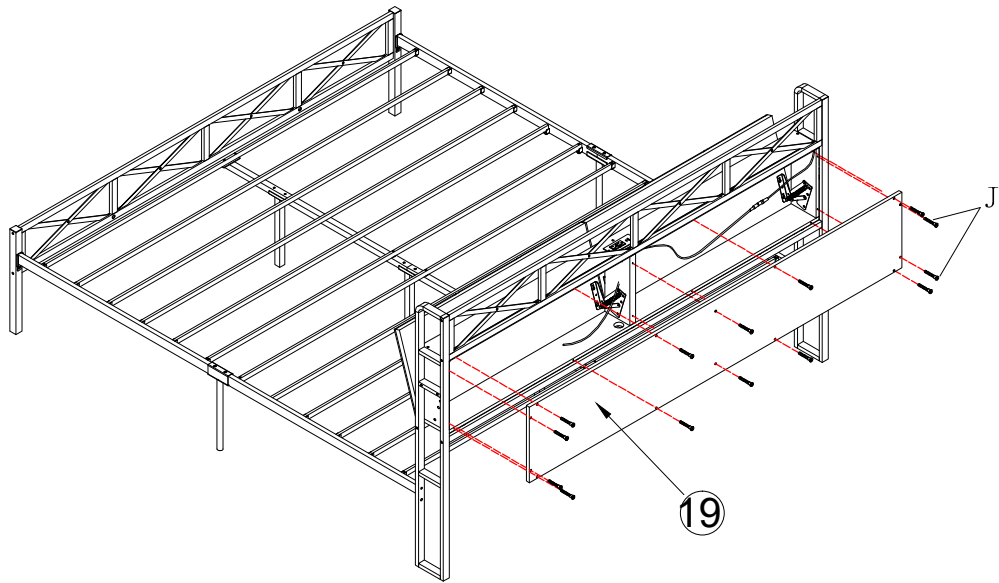
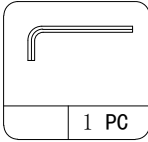
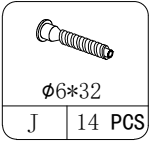


	
$\phi 3 \times 12 \text{mm}$	
K	2 PCS
	1 PC

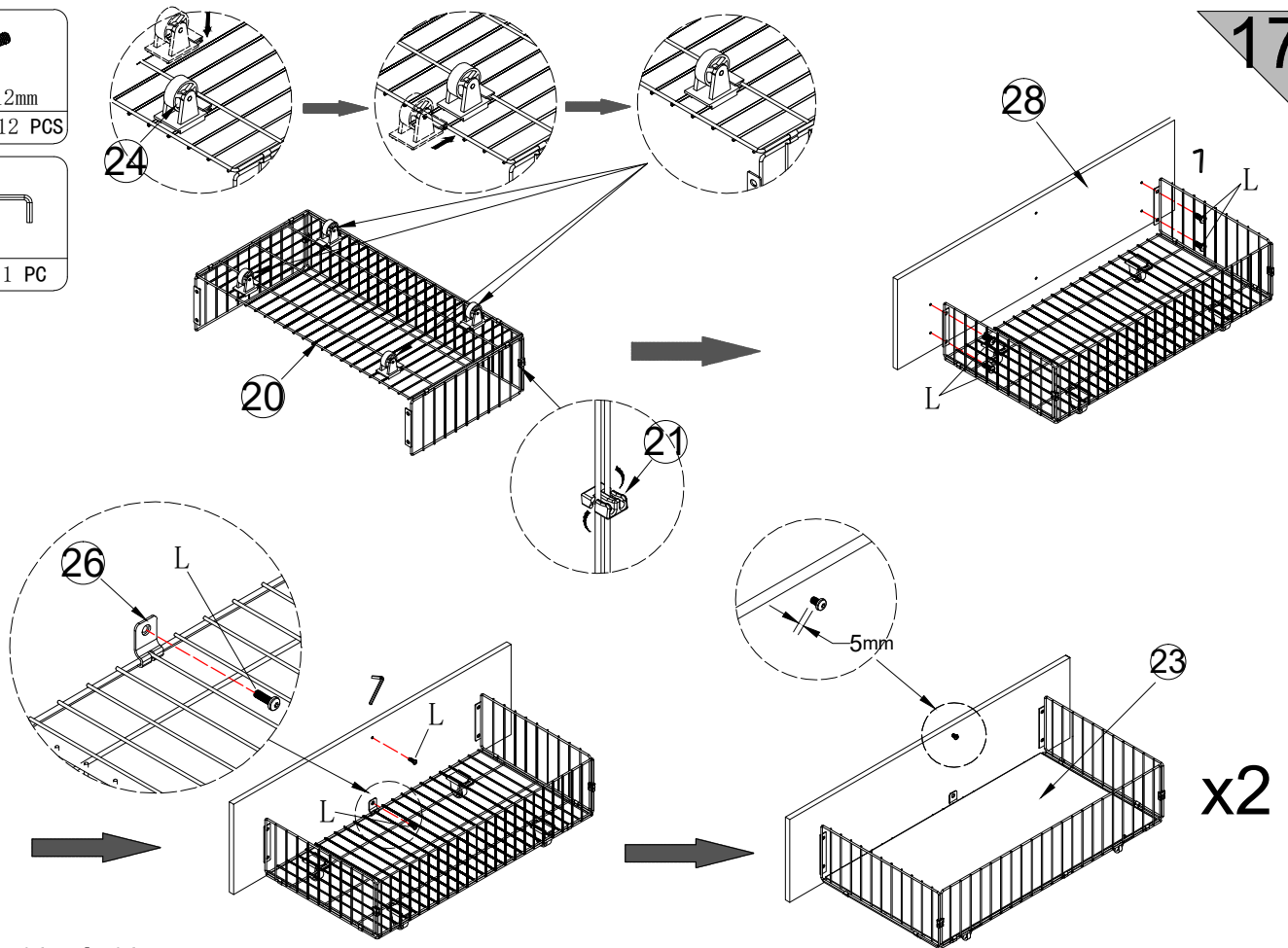
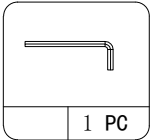
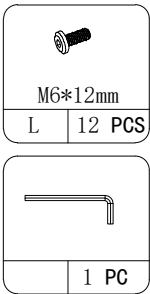


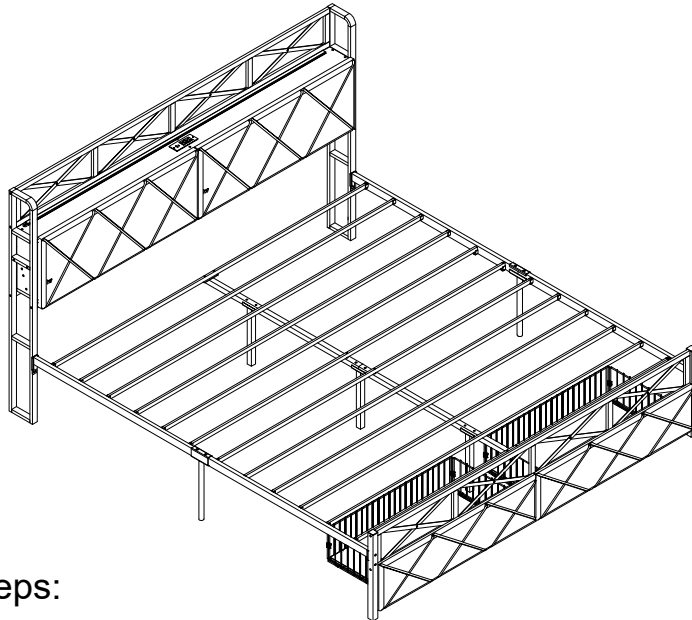
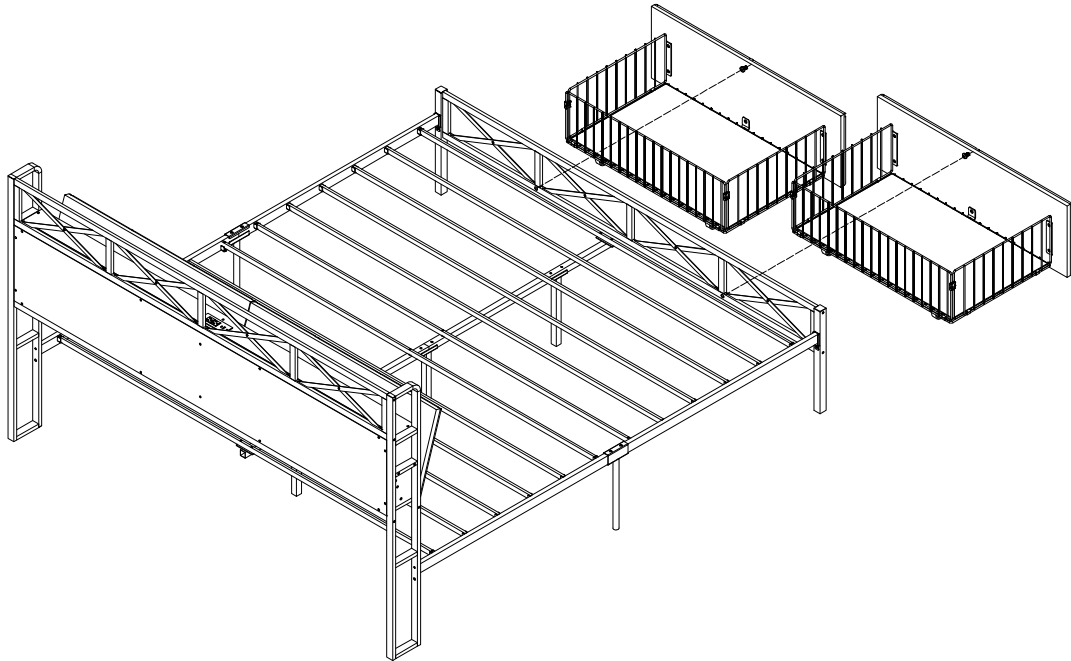
Please check and tighten all screws.

16



17





Mobile phone control steps:

1. Connect LED Lamp and RF RGB Controller.
2. Plug in the Adaptor Power supply.
3. Scan the RF RGB Controller QR code on the controller and download the software HappyLighting.
4. Turn on the Bluetooth function of the mobile phone and search for Bluetooth pairing "Trinoes".
5. Open the "Happy lighting" APP and switch colors change.
Click the music switch to realize the skip mode of different LED lights.
Press the timing switch to realize the automatic light off function, etc.