

INSTRUCTIONS

CARTON A ASSEMBLY	-----	PAGE 4
CARTON B ASSEMBLY	-----	PAGE 9
CARTON C ASSEMBLY	-----	PAGE 19
LINK SEAT FRAME AND SEAT FRAME	----	PAGE 21
FREE COMBINATION	-----	PAGE 22

Limited Warranty

Products are warranted against defects in material and workmanship while owned by the "Original Purchaser". The term "Original Purchaser" is defined as that party or entity which purchases furniture from an authorized retailer as shown by the original sales receipt. This warranty does not apply to "as is" or previously owned seating. We warrant its products to be free from defects in materials and workmanship (normal wear and tear, fading and stretching excepted), for one year from the date of purchase, except as provided below under the limited warranty.

The exceptions or exclusions to this warranty are as follows:

1. Any warranty claim that is submitted after the limited warranty period, or without proper proof of purchase will not include the cost of parts, labor, or delivery.
2. This warranty shall not apply to the us which have been subjected to misuse, neglect, alteration, modification, or attachments, either caused by the original purchaser, shipping, storage, accident, fire, or acts of God.

In the event of a defect in material or workmanship covered by this warranty, we will repair or replace, at their discretion, without charge the warranted furniture within a reasonable amount of time. We reserve the right to require damaged parts to be returned to us upon request. Natural markings such as cars, brands, grain variations, wrinkles, color variations, etc. will be considered normal characteristics and not construed as defects. We cannot warrant leather against scratching or scuffing, as all leather is subject to blemishes with use.

For claims or questions concerning this warranty, please contact customer Service department by send email to us. Be prepared to provide your name, address, daytime phone number, the model and purchase order number of the product, date of purchase, and the store where it was purchased. Life fair requires that the original sales receipt be submitted with all requests to confirm that you are the original purchaser according to our written warranty.

This warranty gives you specific rights, and you may also have other rights, which vary from state to state.

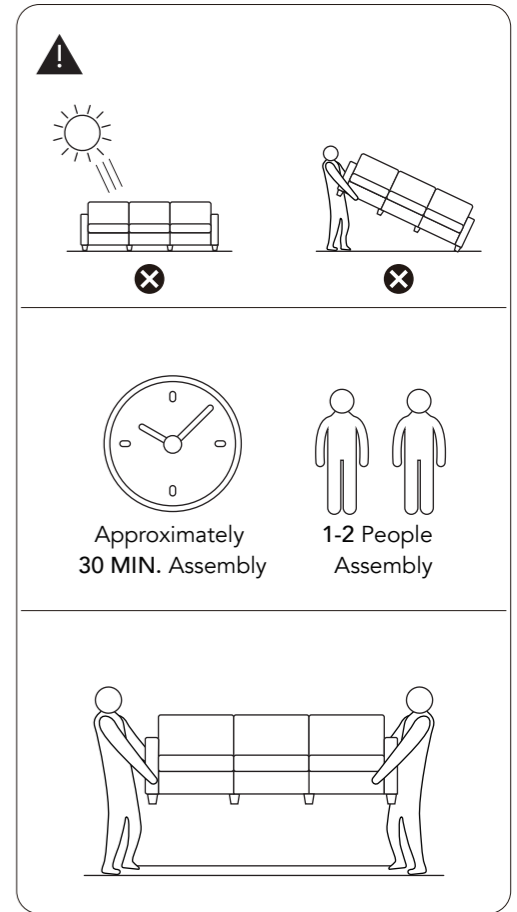
NOTICE :

Please retain these instructions for future reference.

- Please read the instruction sheets completely before assembly. Remove all parts from carton and ensure all components included prior to assembly.
- Assemble the sofa on a protected surface to avoid scratching the components of sofa.
- Be careful not to cross-thread screws.
- Do not use power tools.
- Two people are recommended for assembly!
- According to the fabric characteristics of ottoman, please avoid direct-sun exposure.
- If the sofa is smelling, please try to air it for 24-48 hours and the smell will go away.
- Sometimes it's because it was packed for a long time, so it's very normal to get that smell.
- Sofa is certified by the environment system. So please don't worry, it won't hurt your health, it's safe to use it.

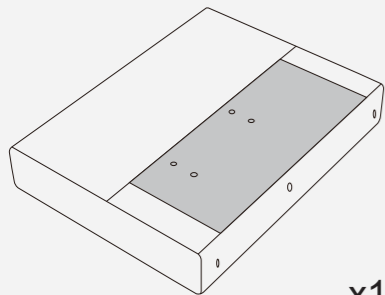
RETURN/DAMAGE CLAIM INSTRUCTIONS:

- DO NOT discard of the box/original packaging. In case a return is required, the item must be returned in original box. Without this your return will not be accepted.
- Take a photo of the box markings. A photo of the markings (text) on the side of the box or instruction is required in case a part is needed for replacement. This helps our staff identify your product number to ensure you receive the correct parts.
- Take a photo of damage (if applicable). A photo of the damage is always required to file a claim and get your replacement or refund processed quickly. Please make sure you have the box even if it is damaged.
- Send us an email with the images requested. Email us directly from marketplace where your item was purchased with the attached images and a description of your claim.



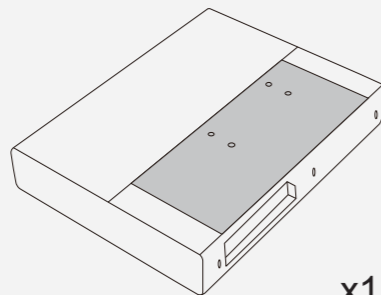
CARTON A PART LIST

A Left Armrest



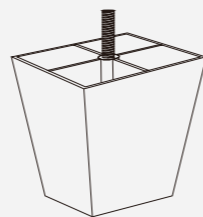
x1

B Right Armrest



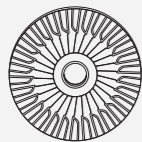
x1

C Plastic Leg



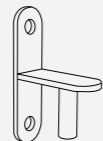
x4

1 Plastic Washer



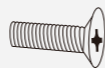
x4

2 Armrest / Backrest Fitting



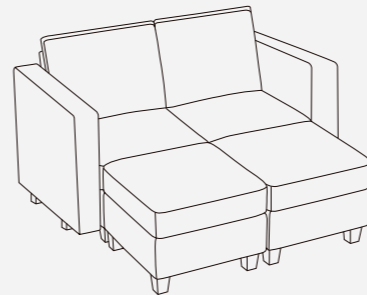
x4

3 Screw

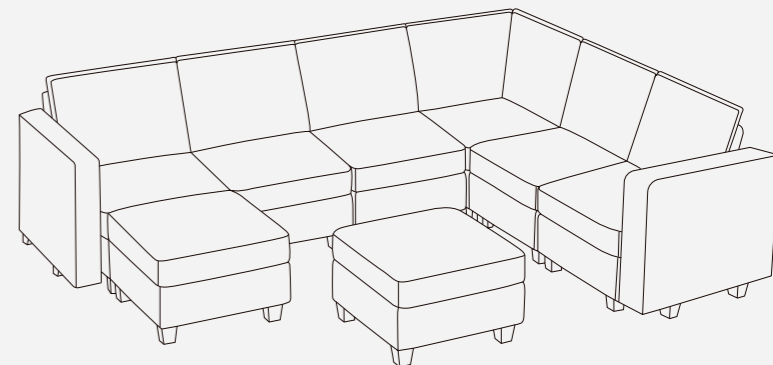


x10

FREE COMBINATION

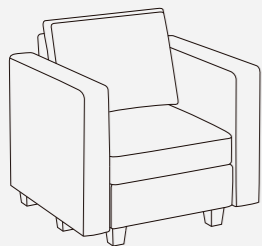


Carton(4B)

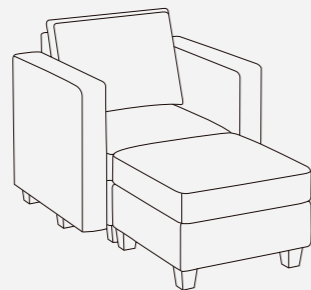


Carton(A+7B+C)

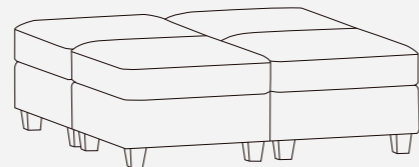
FREE COMBINATION



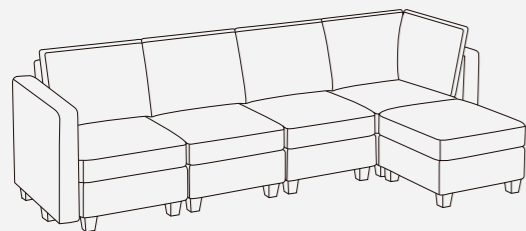
Carton(A+B)



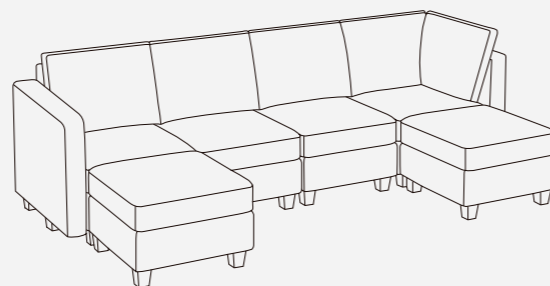
Carton(A+B+C)



Carton(4C)



Carton(A+4B+C)



Carton(A+4B+2C)

4 Screwdriver



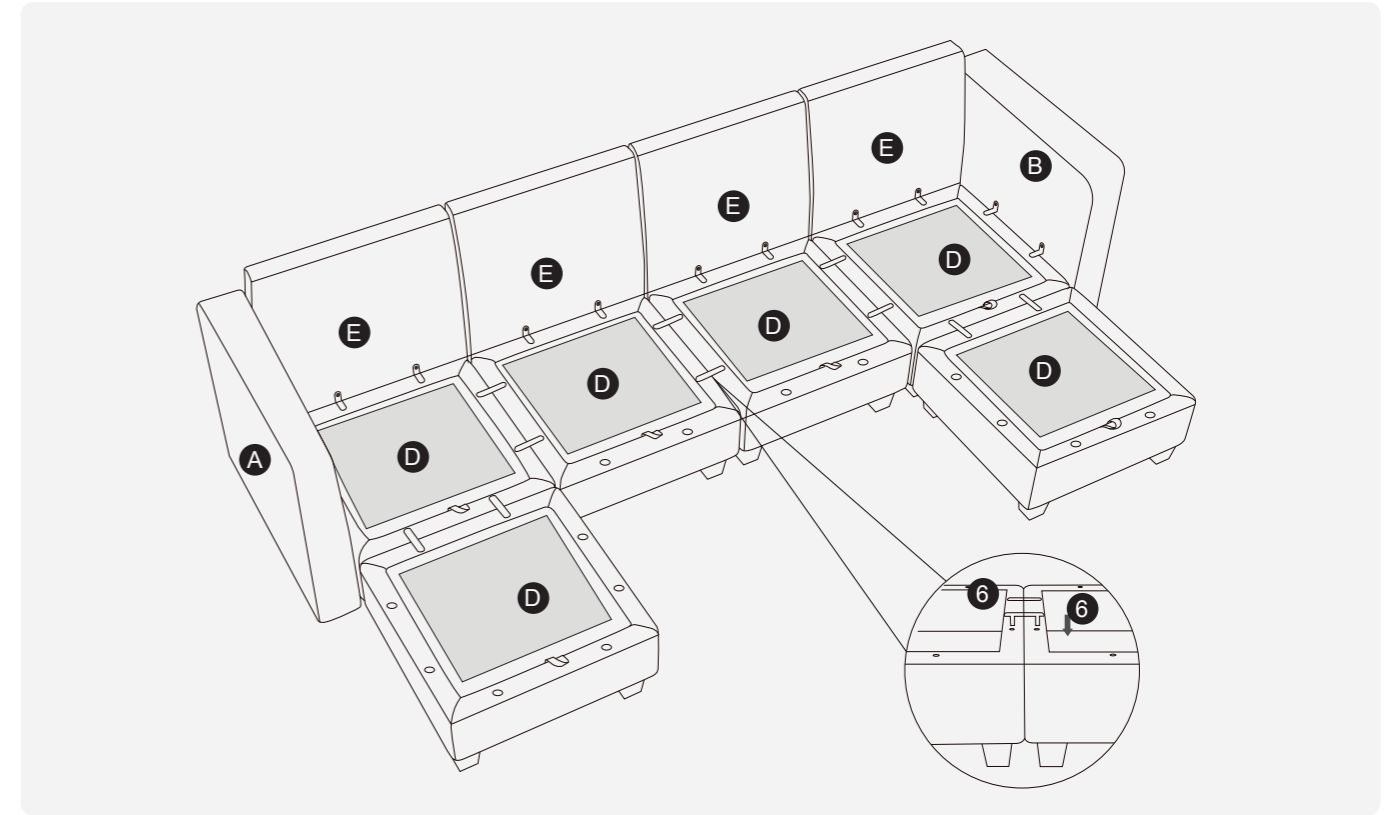
x1

CARTON A ASSEMBLY

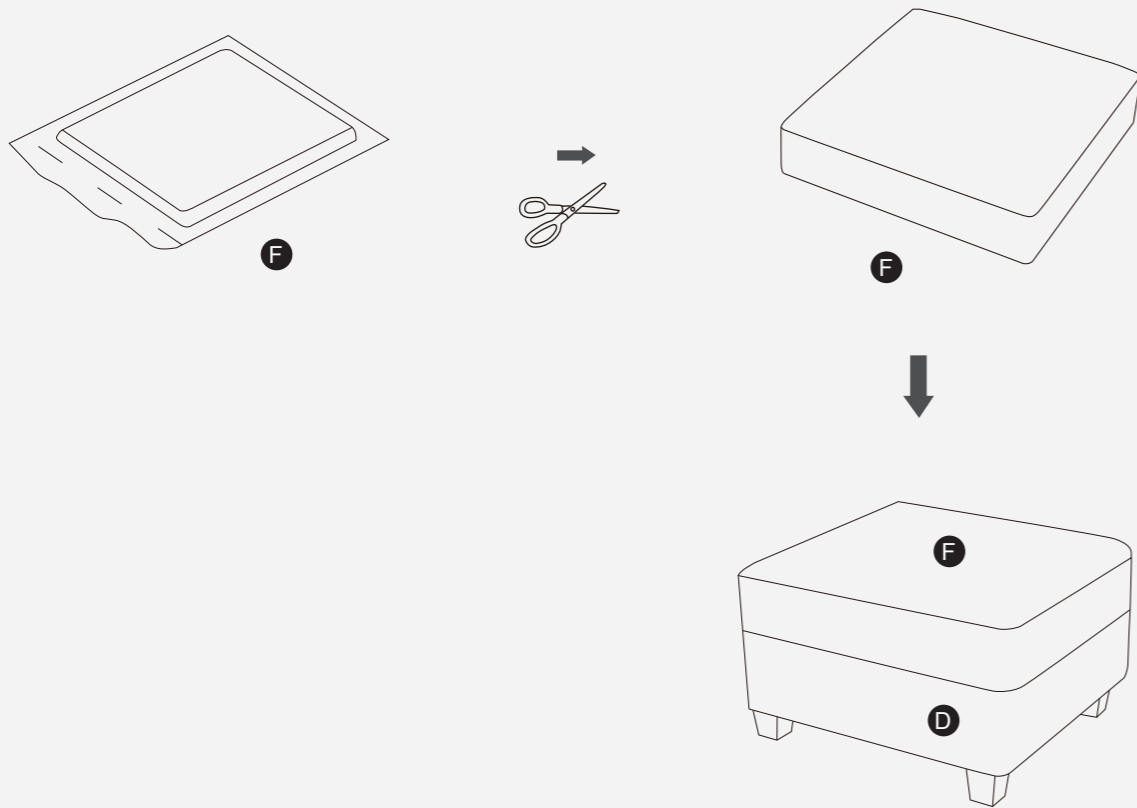
Step1:

Left Arm & Right Arm are in carton A, Remove all parts from the carton A , Place them on protected surface or carpet.

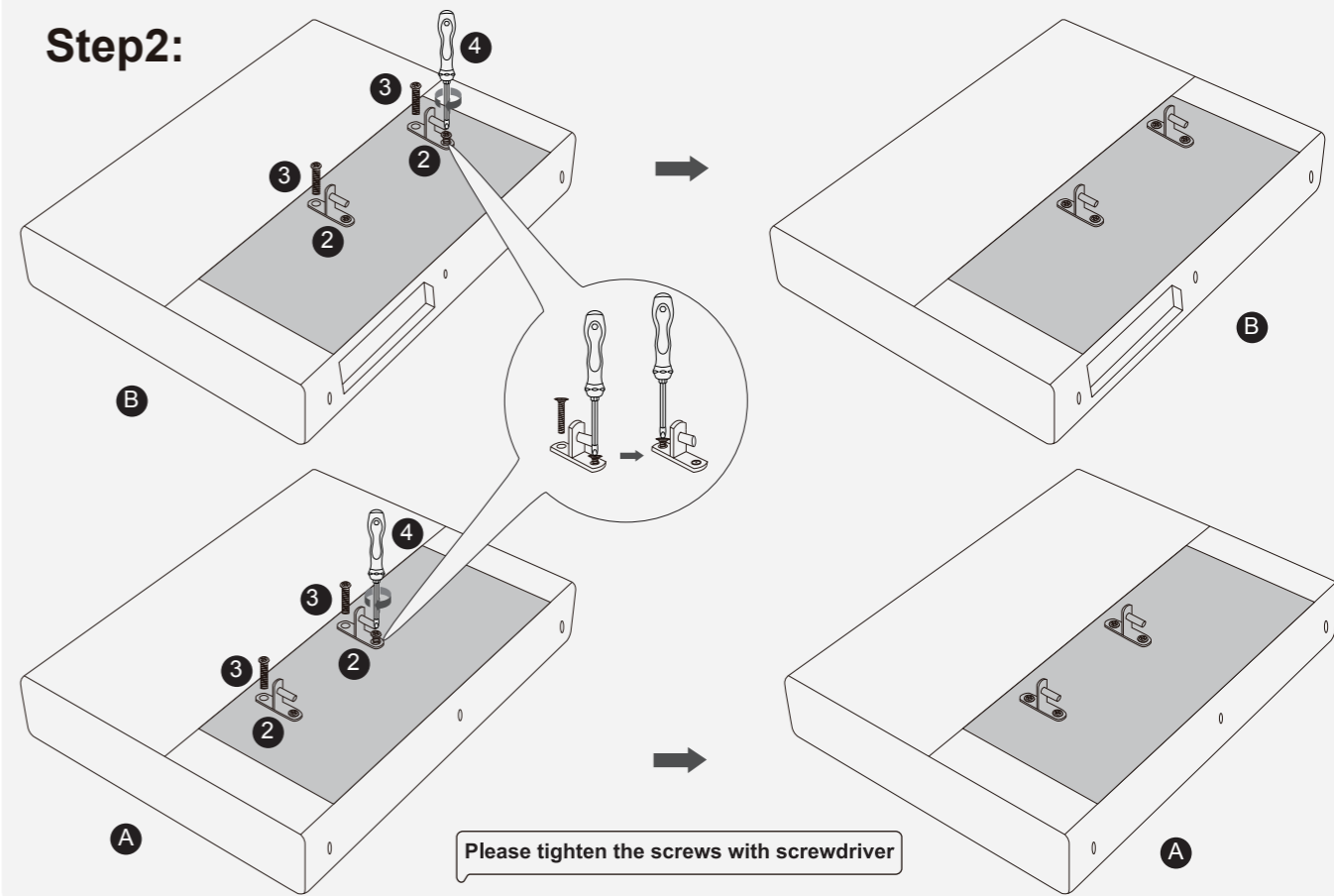
Link Seat Frame and Seat Frame



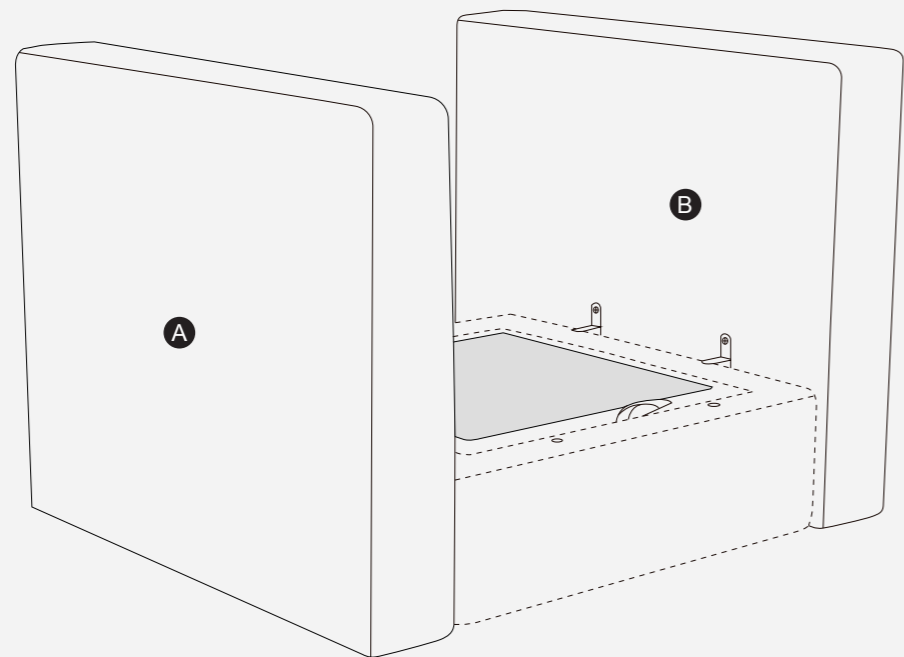
Step3:



Step2:



Step3:

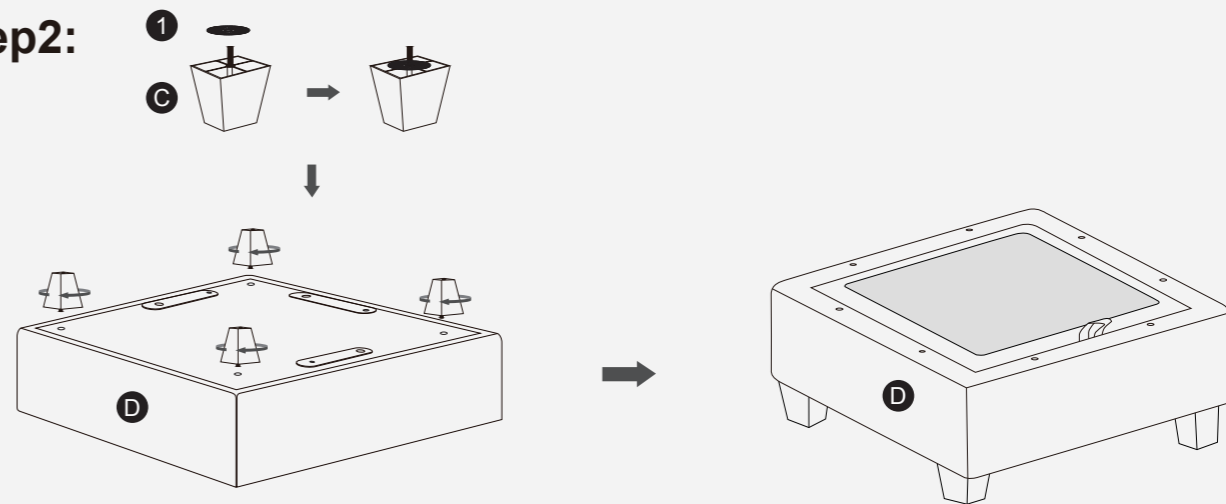


CARTON C ASSEMBLY

Step1:

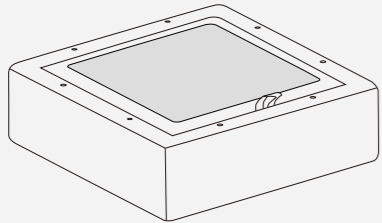
Seat frame is in carton C ,Remove all parts from the carton C , Place them on protected surface or carpet.

Step2:



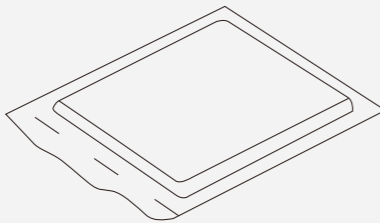
CARTON C PART LIST

D Seat Frame



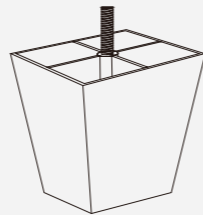
x1

F Seat Cushion



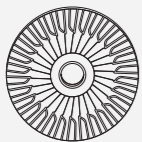
x1

C Plastic Leg



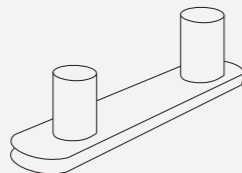
x4

1 Plastic Washer



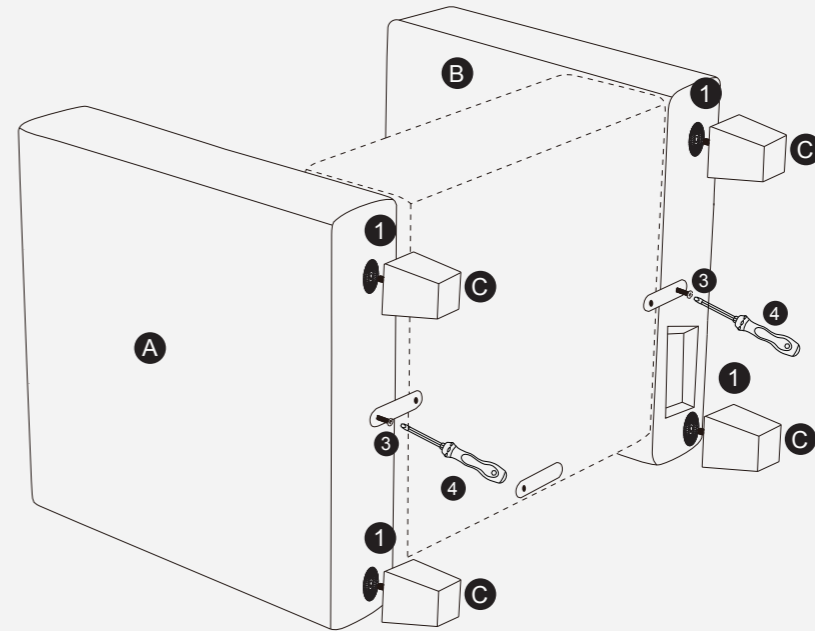
x4

6 Seat Fitting



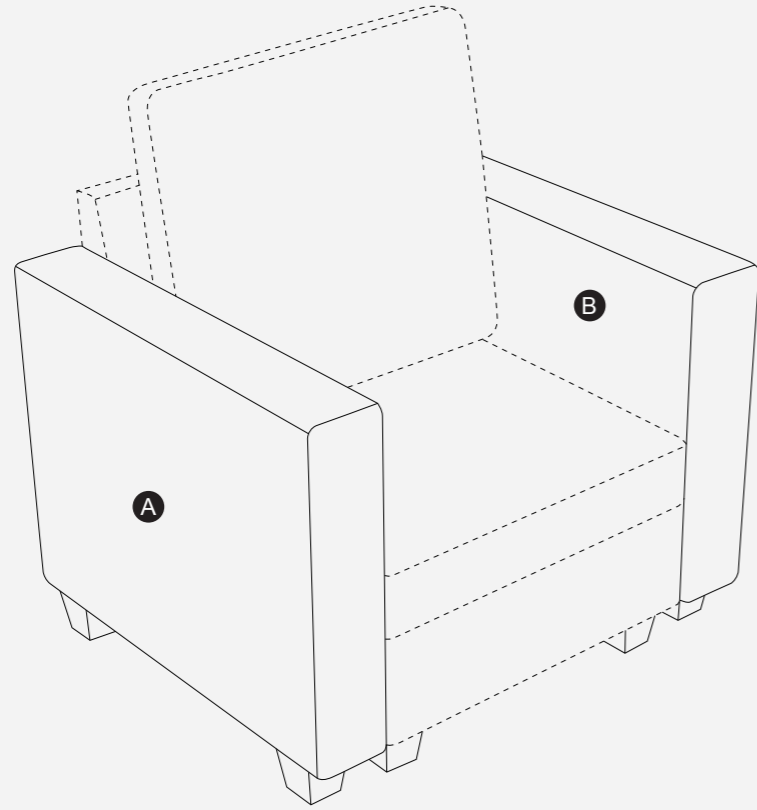
x2

Step4:

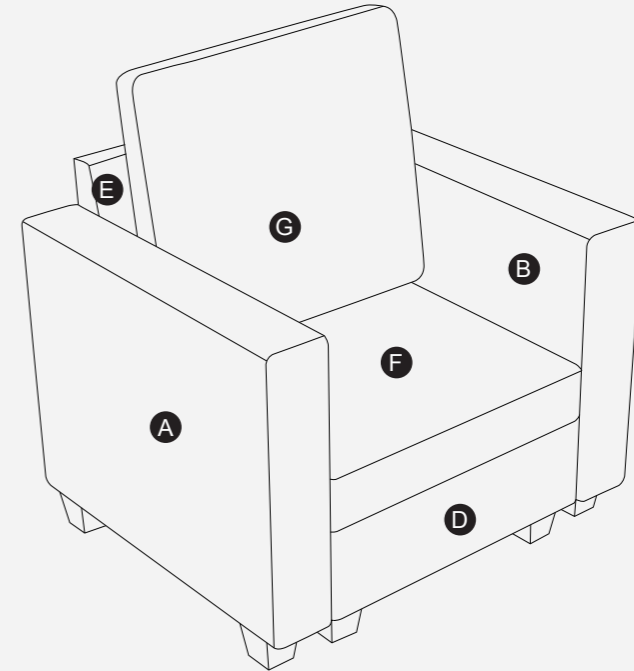


Please tighten the screws with screwdriver

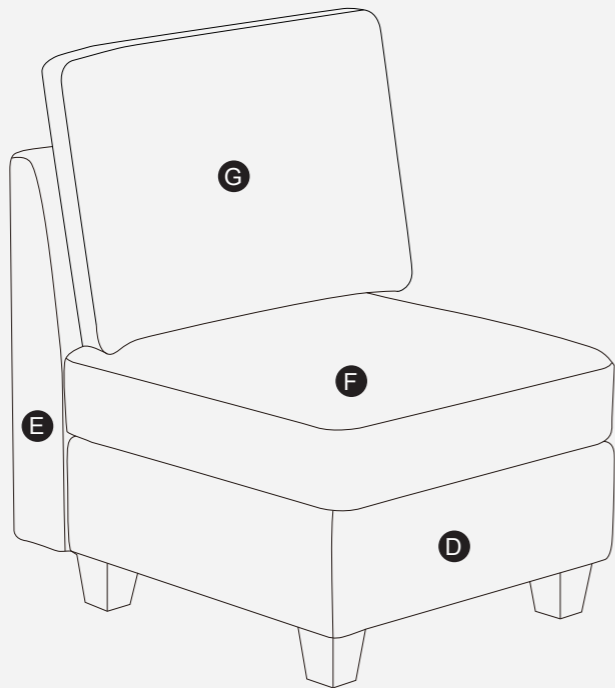
Step5:



CARTON A+B

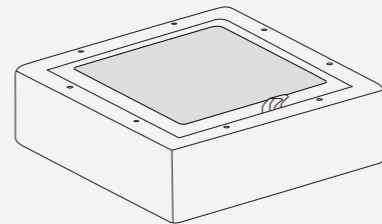


Step 7:



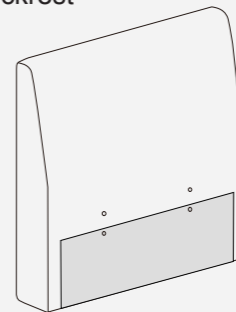
CARTON B PART LIST

D Seat Frame



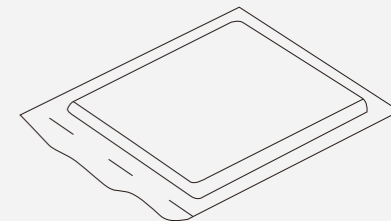
x1

E Backrest



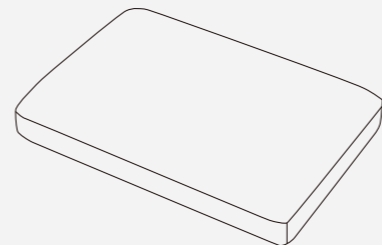
x1

F Seat Cushion



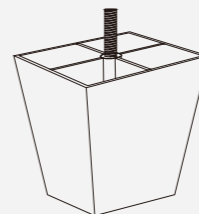
x1

G Pillow



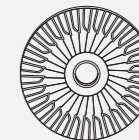
x1

C Plastic Leg



x5

1 Plastic Washer



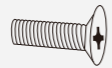
x5

2 Armrest / Backrest Fitting



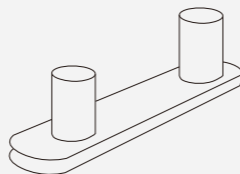
x2

3 Screw



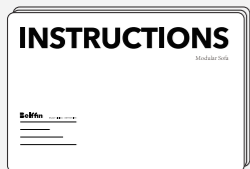
x6

5 Seat Fitting



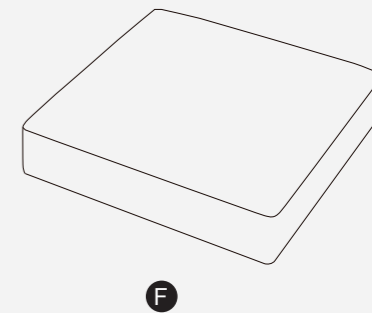
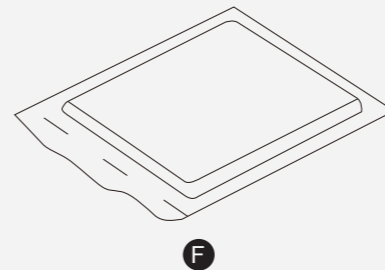
x2

6 Assembly Instructions

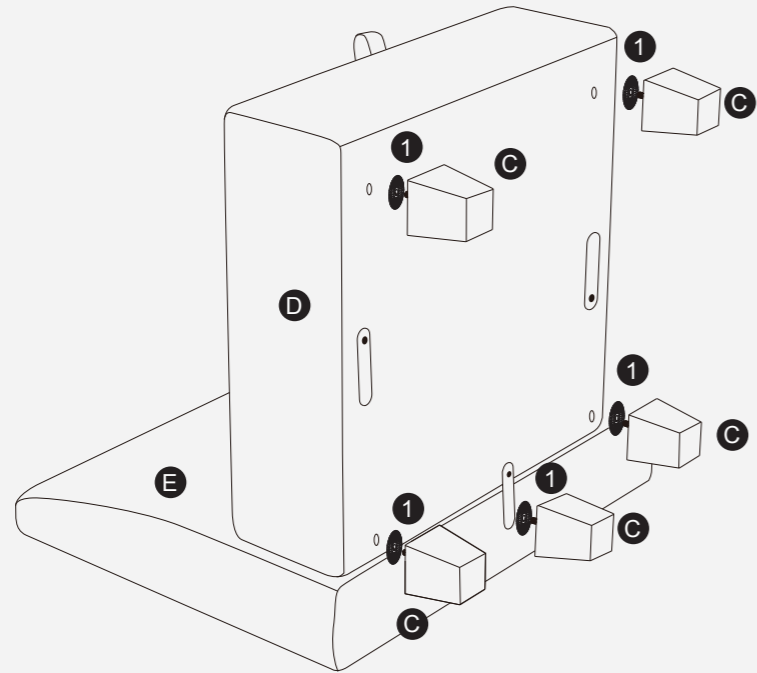


x1

Step6:



Step5:

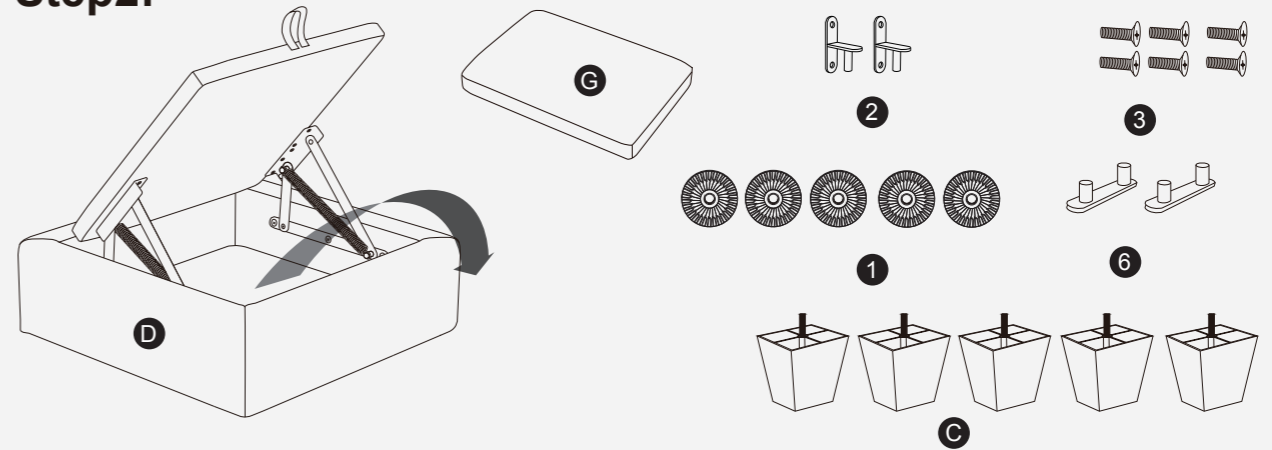


CARTON B ASSEMBLY

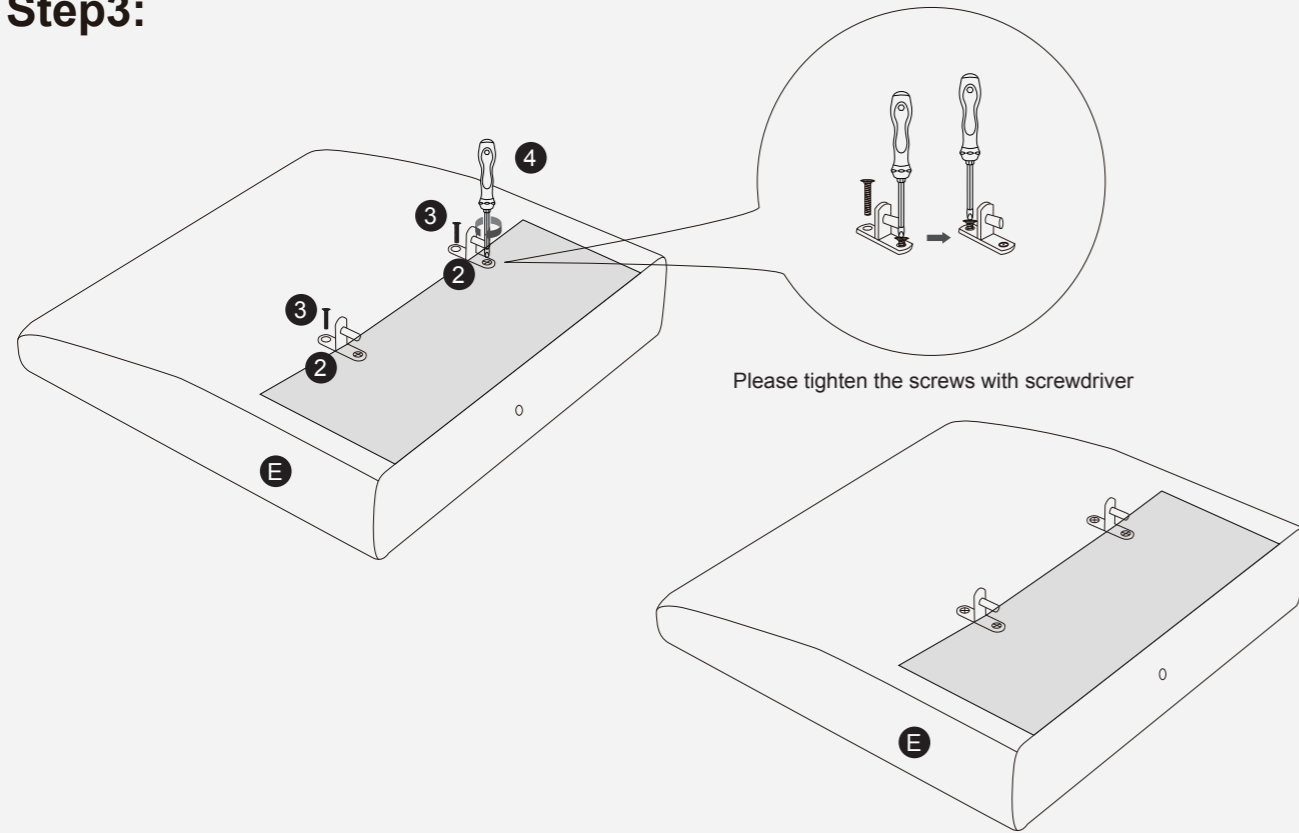
Step1:

Seat frame and backrest are in carton B ,Remove all parts from the carton B, Place them on protected surface or carpet.

Step2:



Step3:



Step4:

