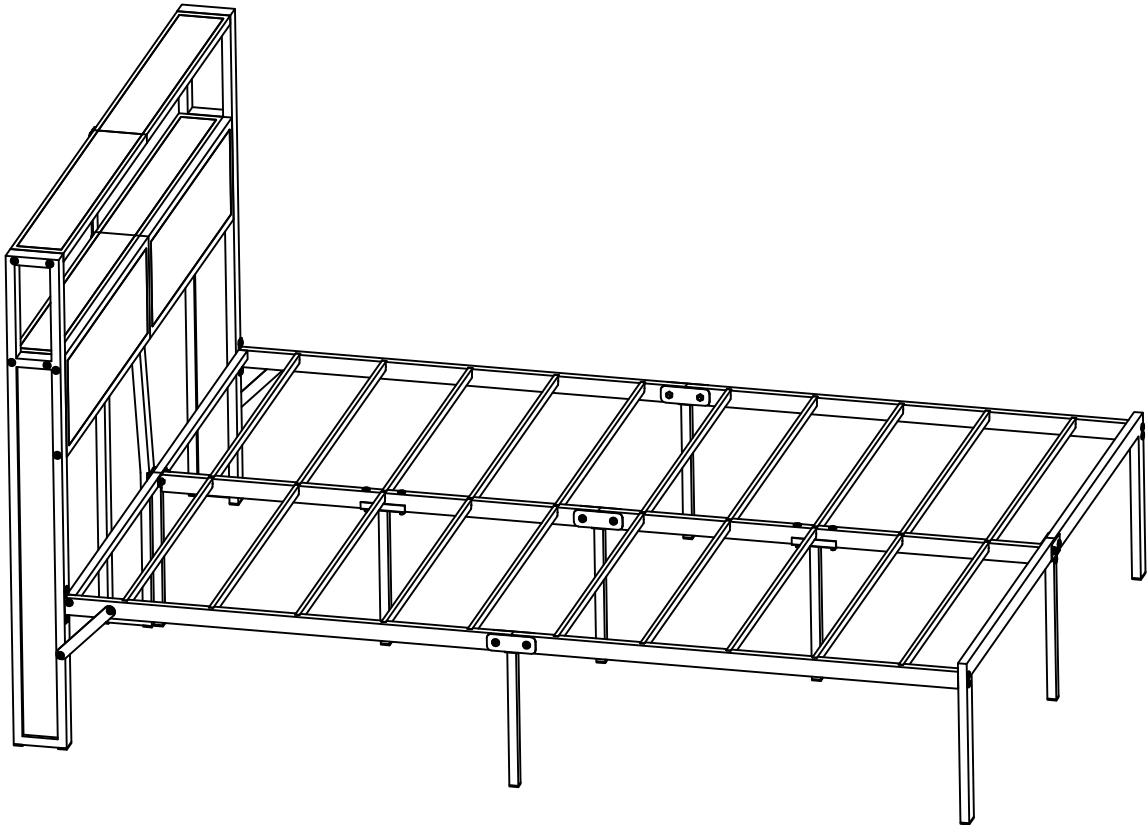



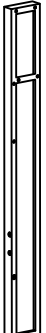


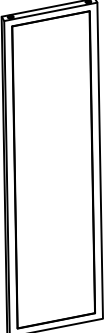



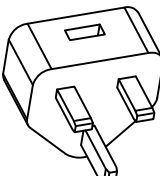


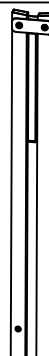


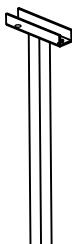
Bed Frame

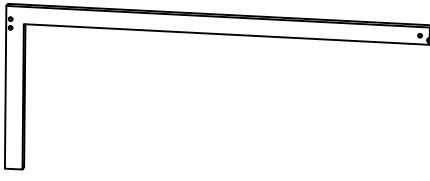
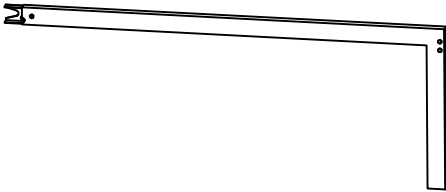
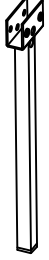
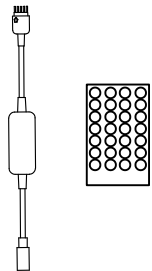
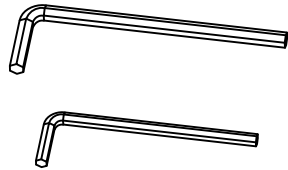


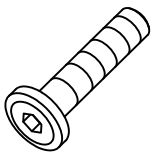
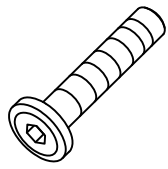
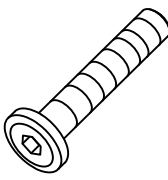
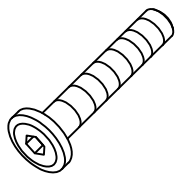

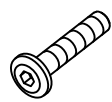
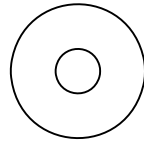


Model:C363-F-BK+LP,C363-Q-BK+LP,C363-K-BK+LP

PRODUCT GUIDE AND INSTALLATION MANUAL

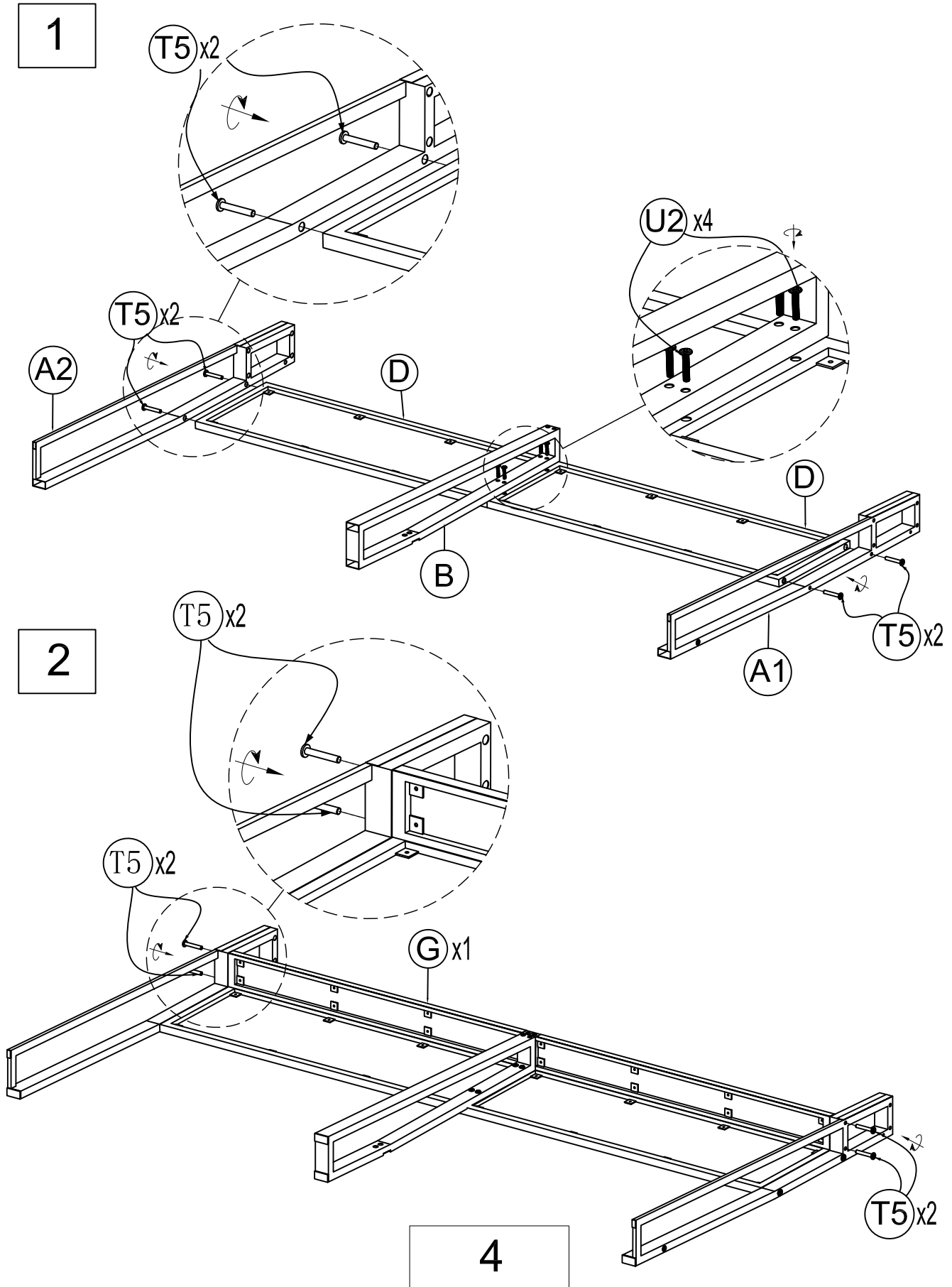
Parts List:

<p>A1</p>  <p>X1</p>	<p>A2</p>  <p>X1</p>	<p>B</p>  <p>X1</p>
<p>C</p>  <p>X1</p>	<p>D</p>  <p>X2</p>	<p>E</p>  <p>X1</p>
<p>F</p>  <p>X20</p>	<p>G</p>  <p>X1</p>	<p>H</p>  <p>X1</p>
<p>I</p>  <p>X2</p>	<p>J</p>  <p>X1</p>	<p>K</p>  <p>X1</p>
<p>L</p>  <p>X1</p>	<p>M</p>  <p>Connected to the head of the bed</p> <p>Connected to the end of the bed</p> <p>X1</p>	<p>N</p>  <p>X2</p>

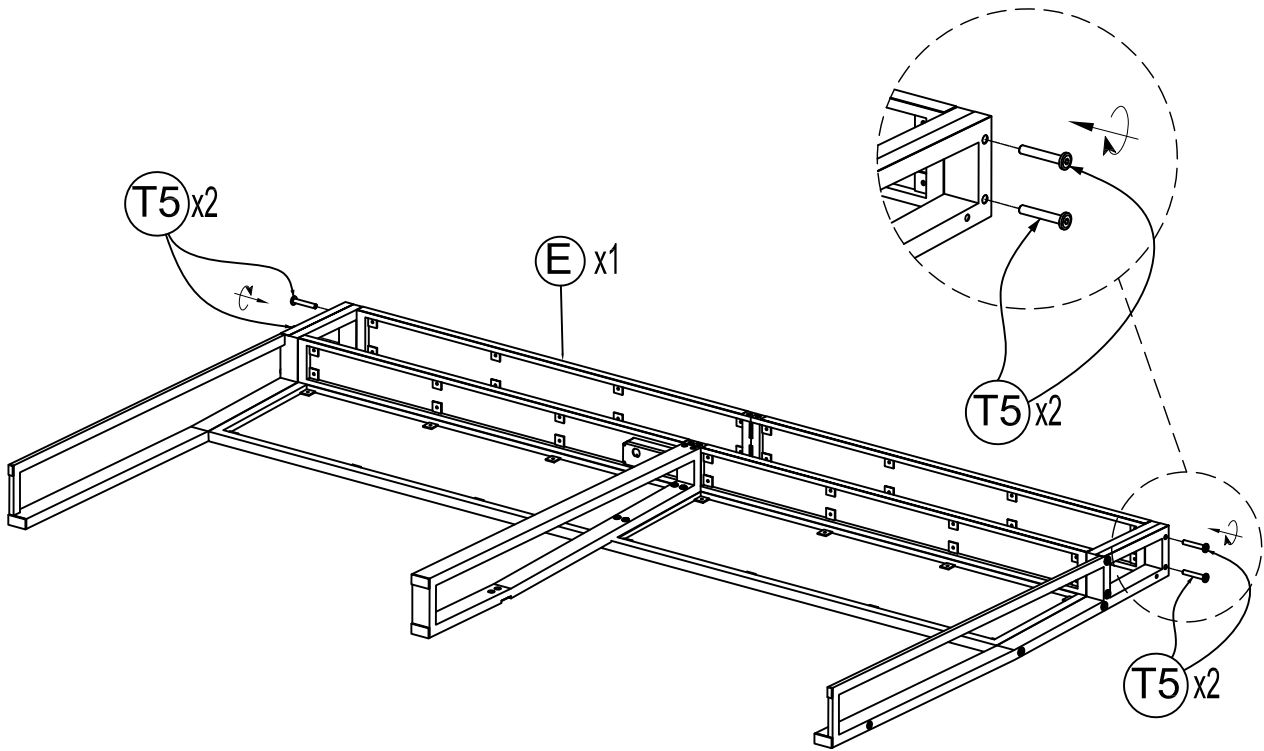
<p>O1 X1</p> 	<p>O2 X1</p> 	<p>P X1</p> 	
<p>Q X1</p> 	<p>R X1</p> 	<p>T1 X8</p>  <p>M8*15mm</p>	<p>T2 X2</p>  <p>M8*30mm</p>
<p>T3 X6</p>  <p>M8*35mm</p>	<p>T4 X2</p>  <p>M8*40mm</p>	<p>T5 X16</p>  <p>M8*55mm</p>	<p>T6 X2</p>  <p>M8*60mm</p>
<p>U1 X6</p>  <p>M6*15mm</p>	<p>U2 X4</p>  <p>M6*30mm</p>	<p>U3 X6</p>  <p>Ø18mm</p>	

ASSEMBLY

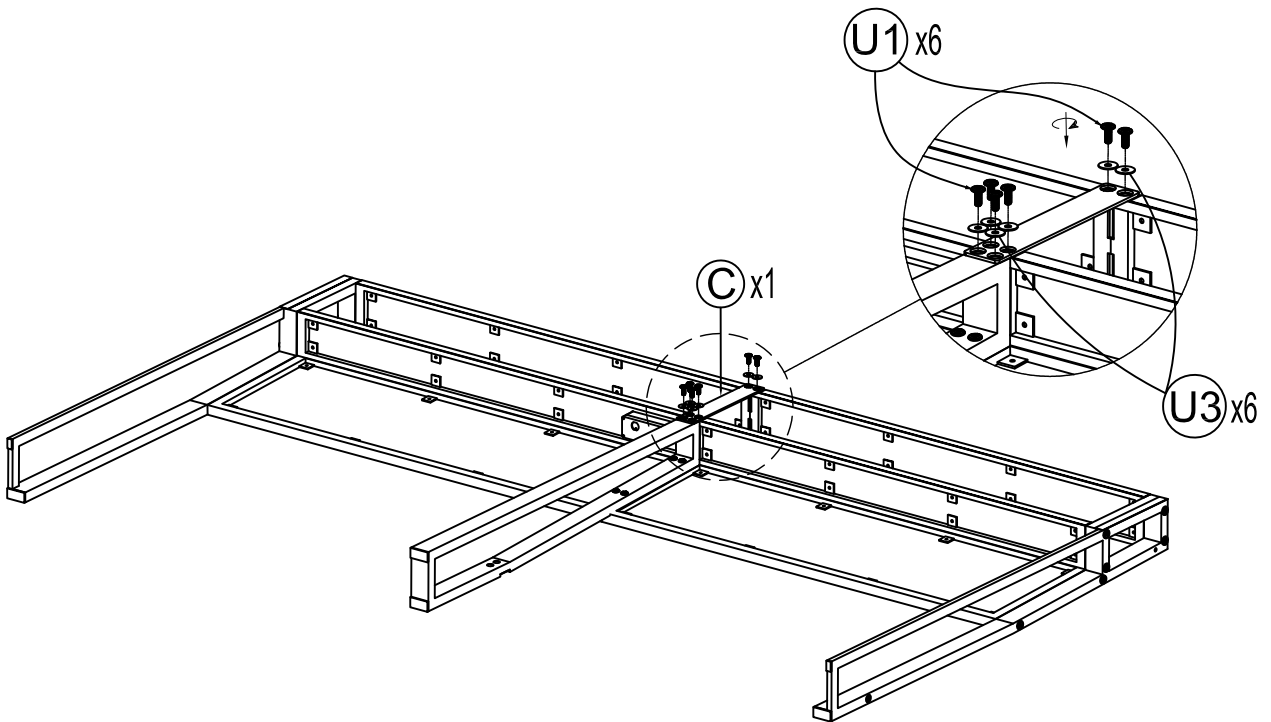
Before your installation, please make sure that you have all the parts listed on the manual. If you find something missing, stop installing and contact your supplier immediately.



3

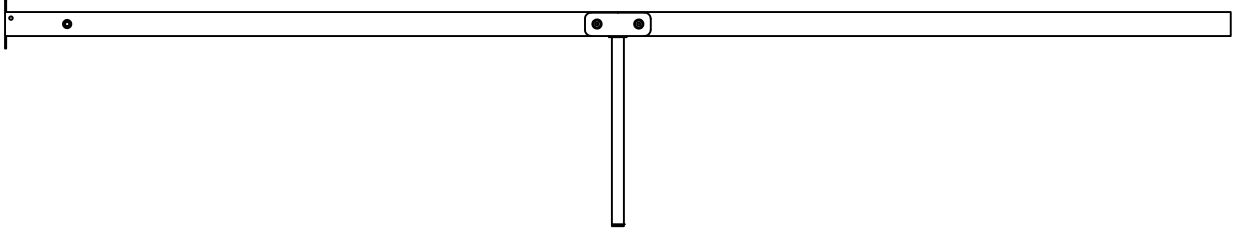
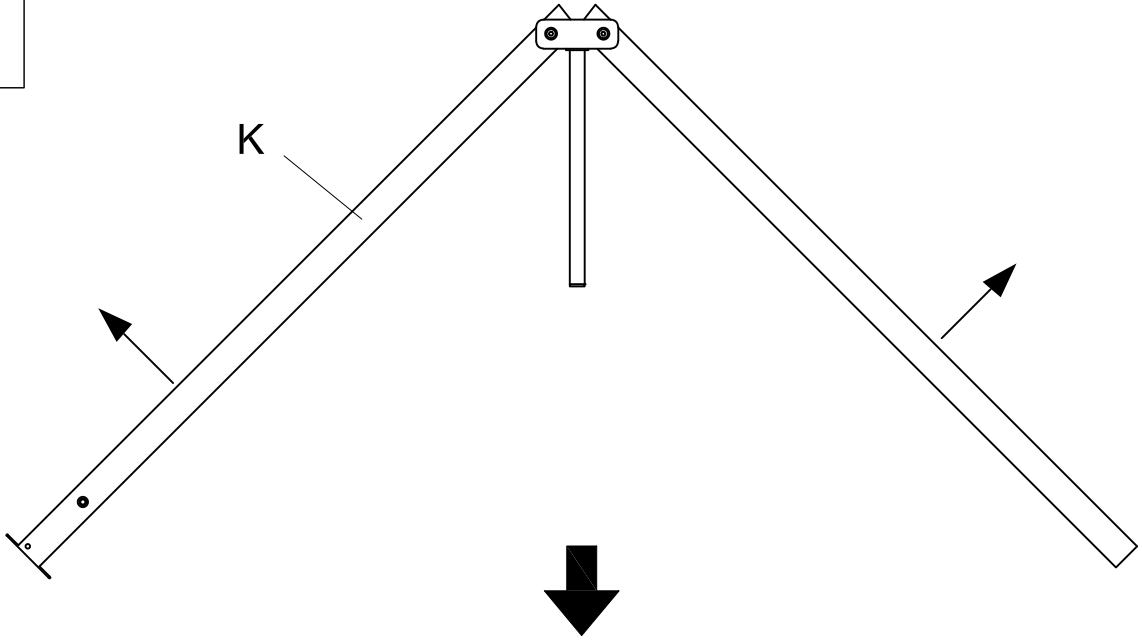


4

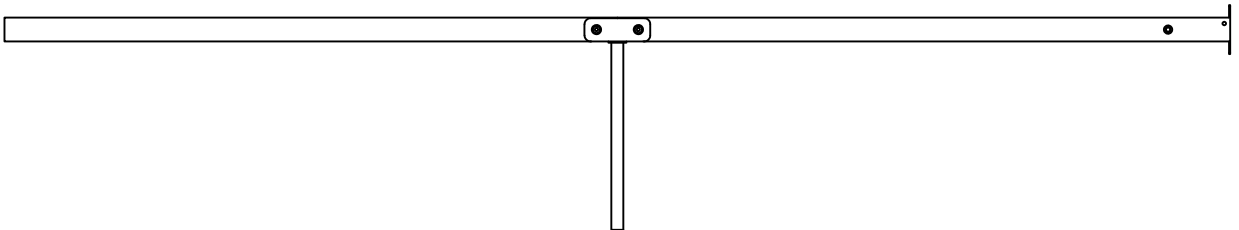
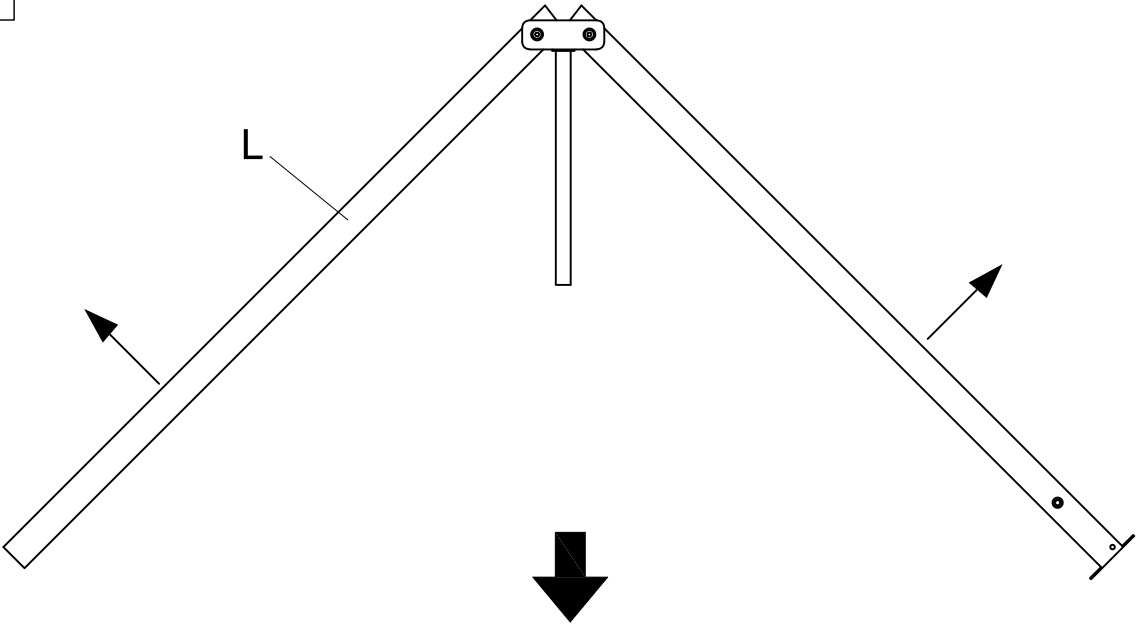


5

5

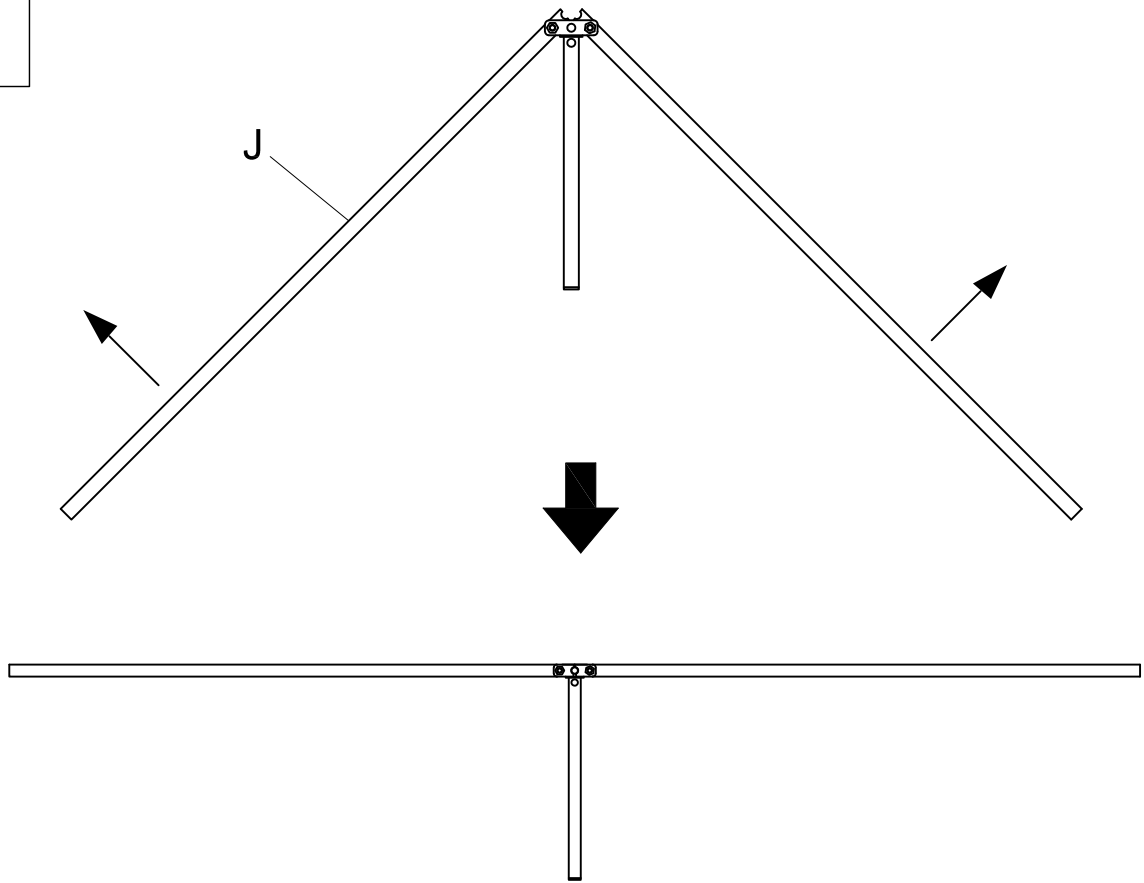


6

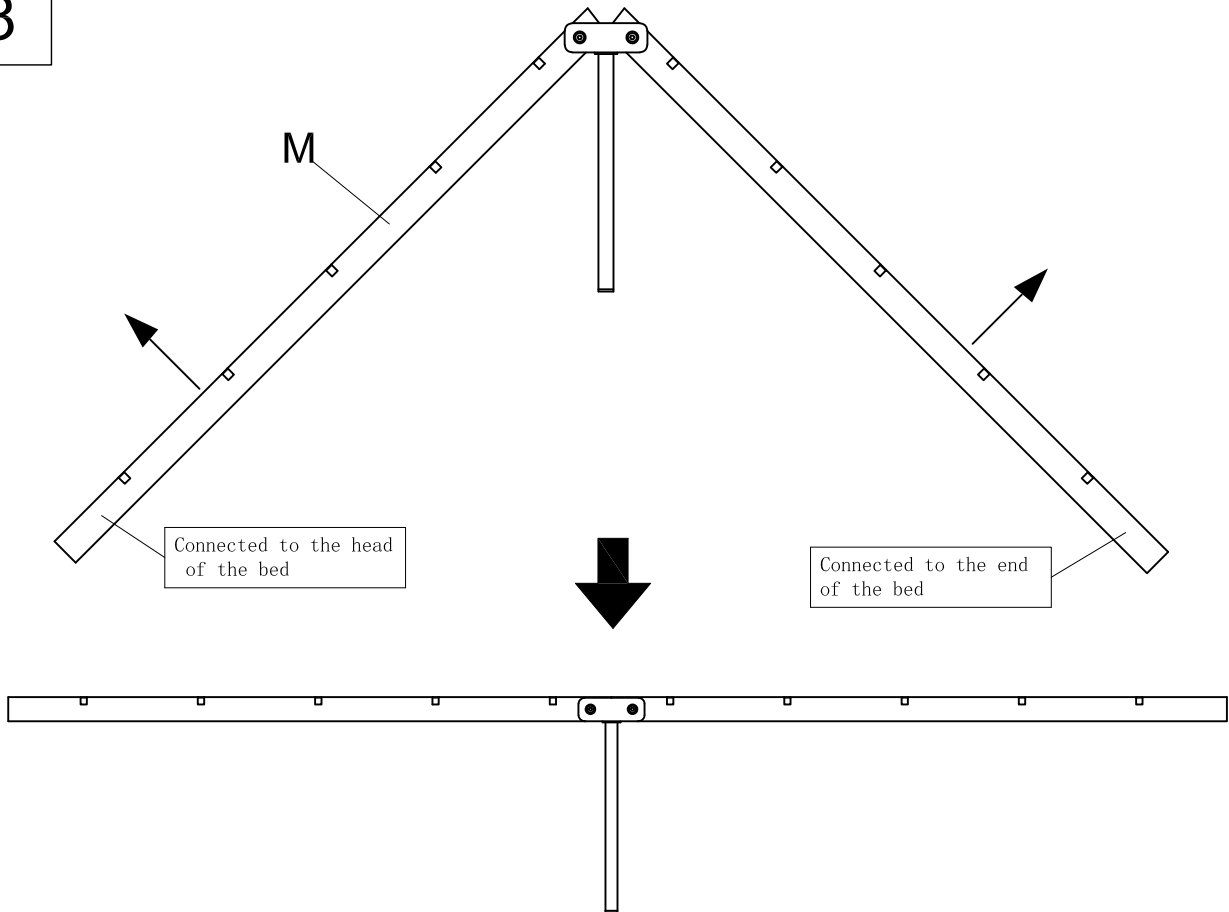


6

7

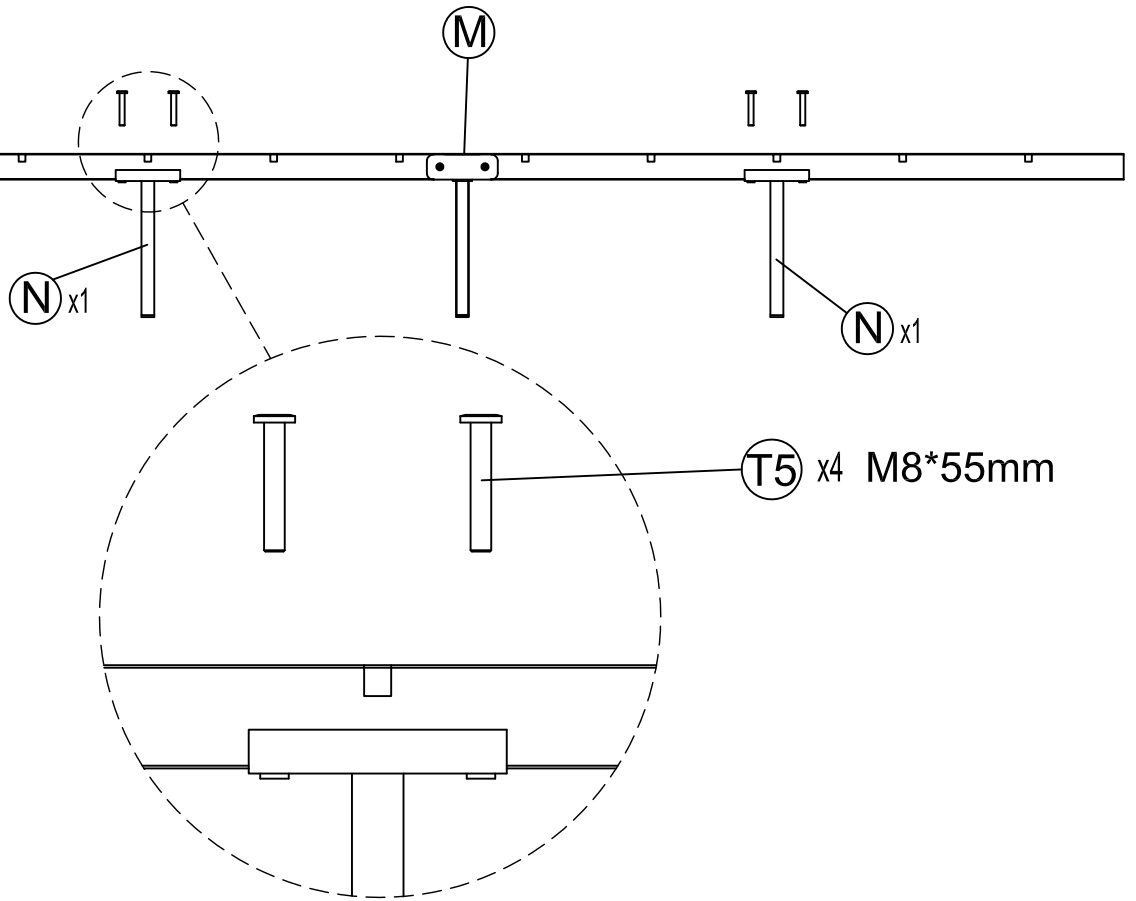


8

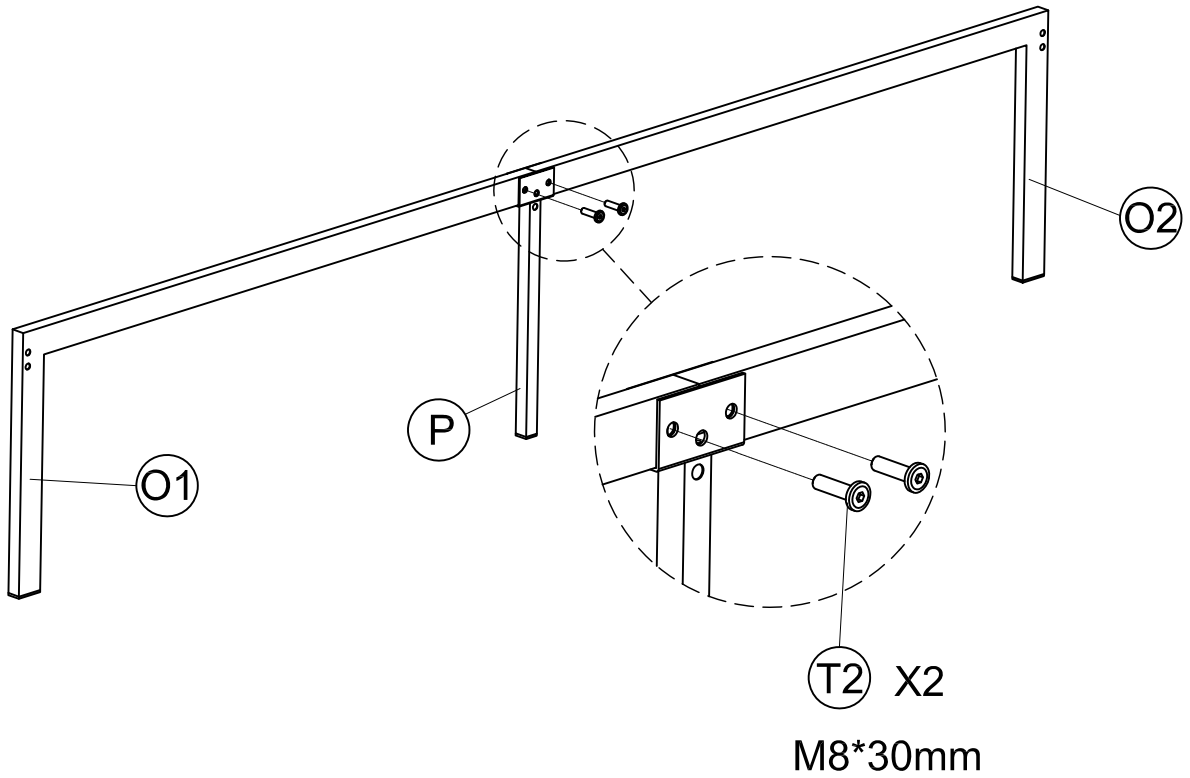


7

9

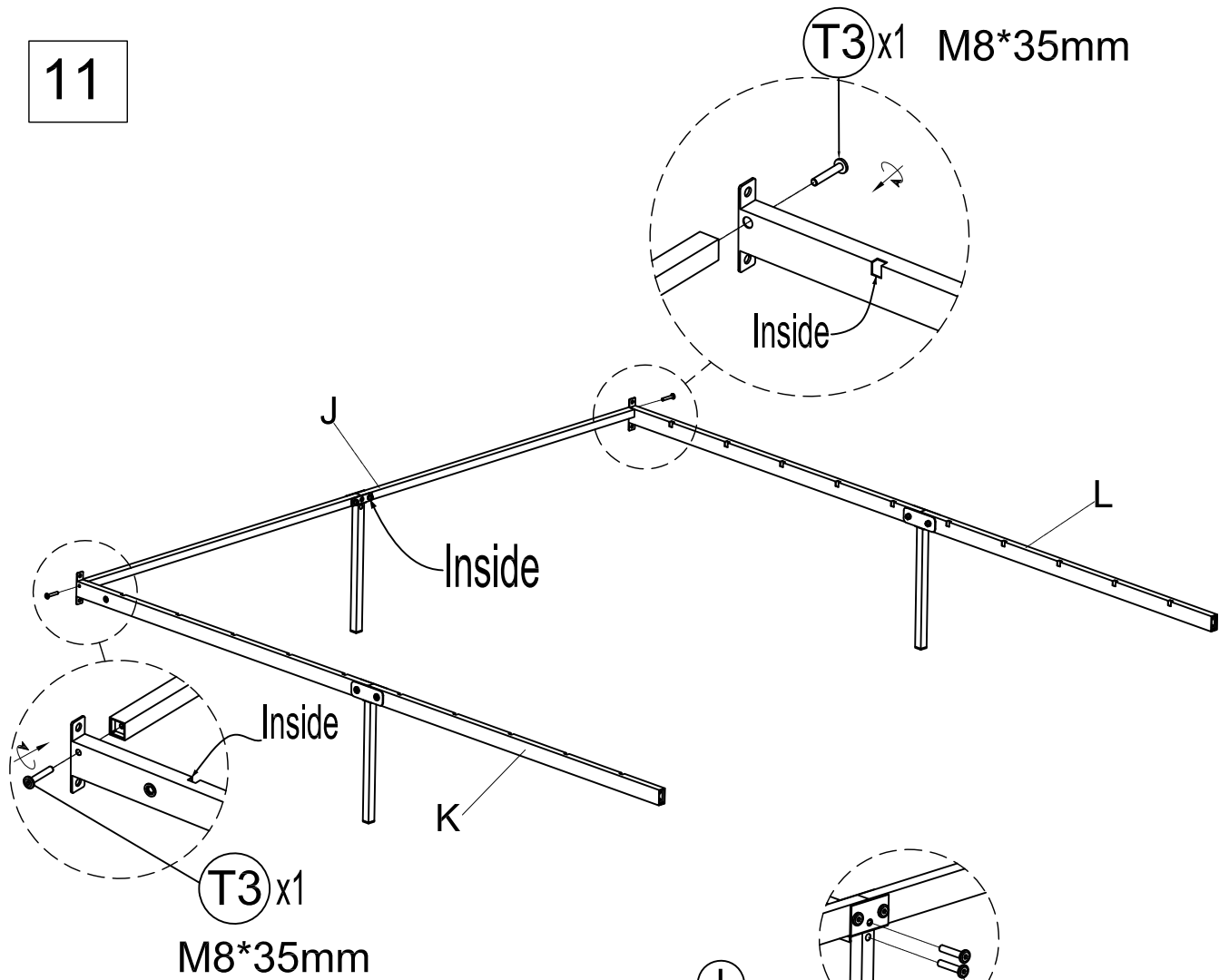


10

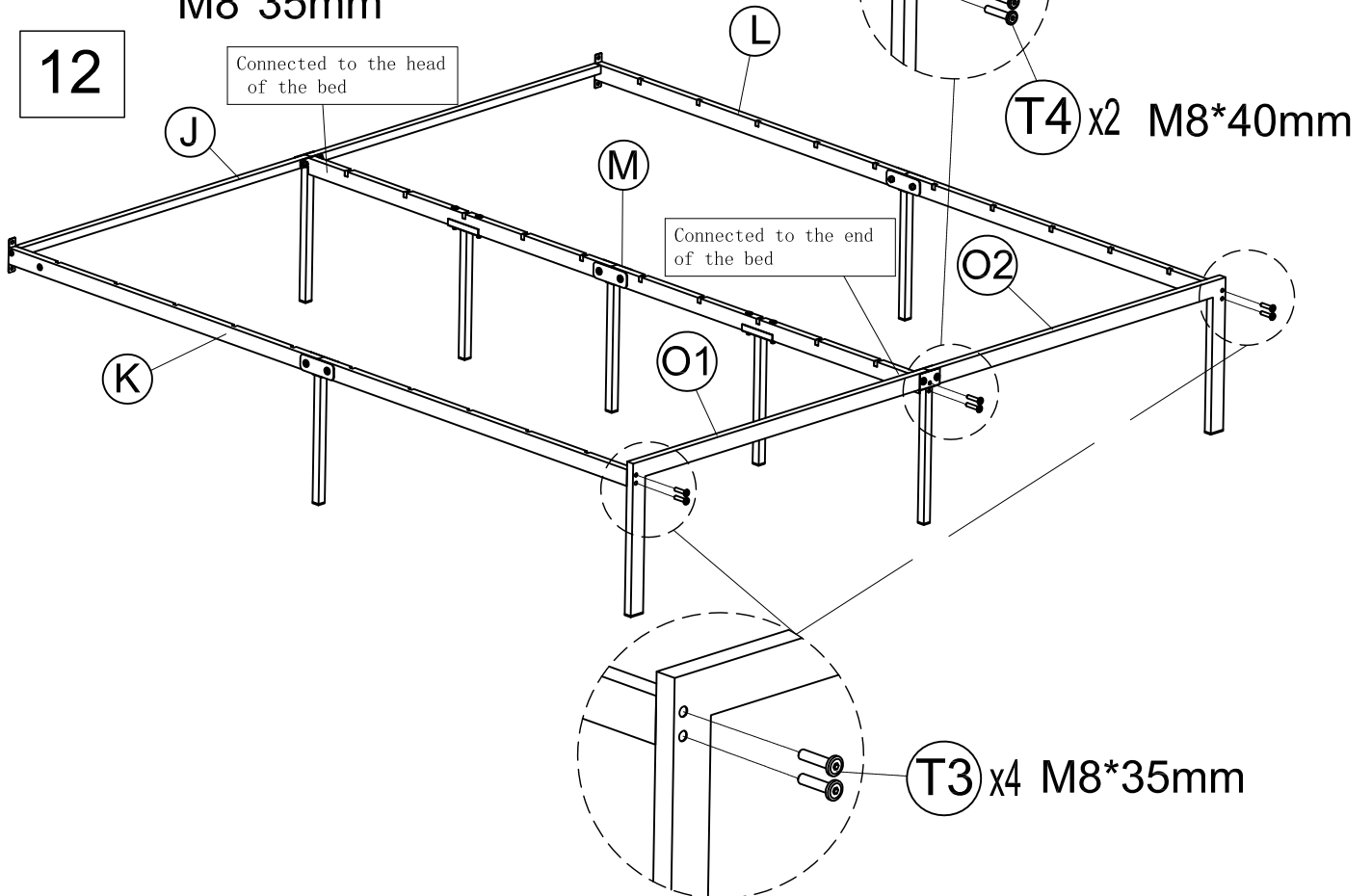


8

11

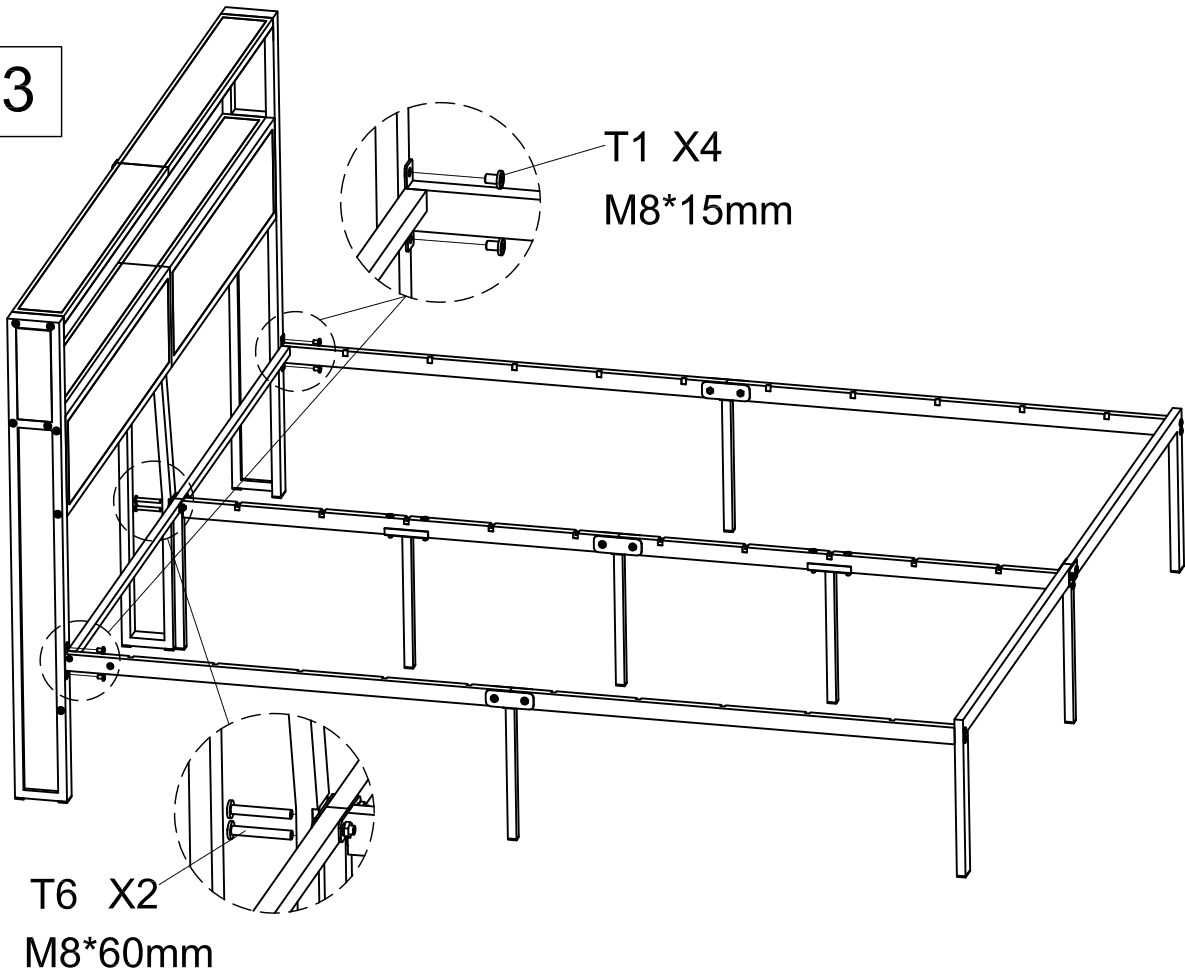


12

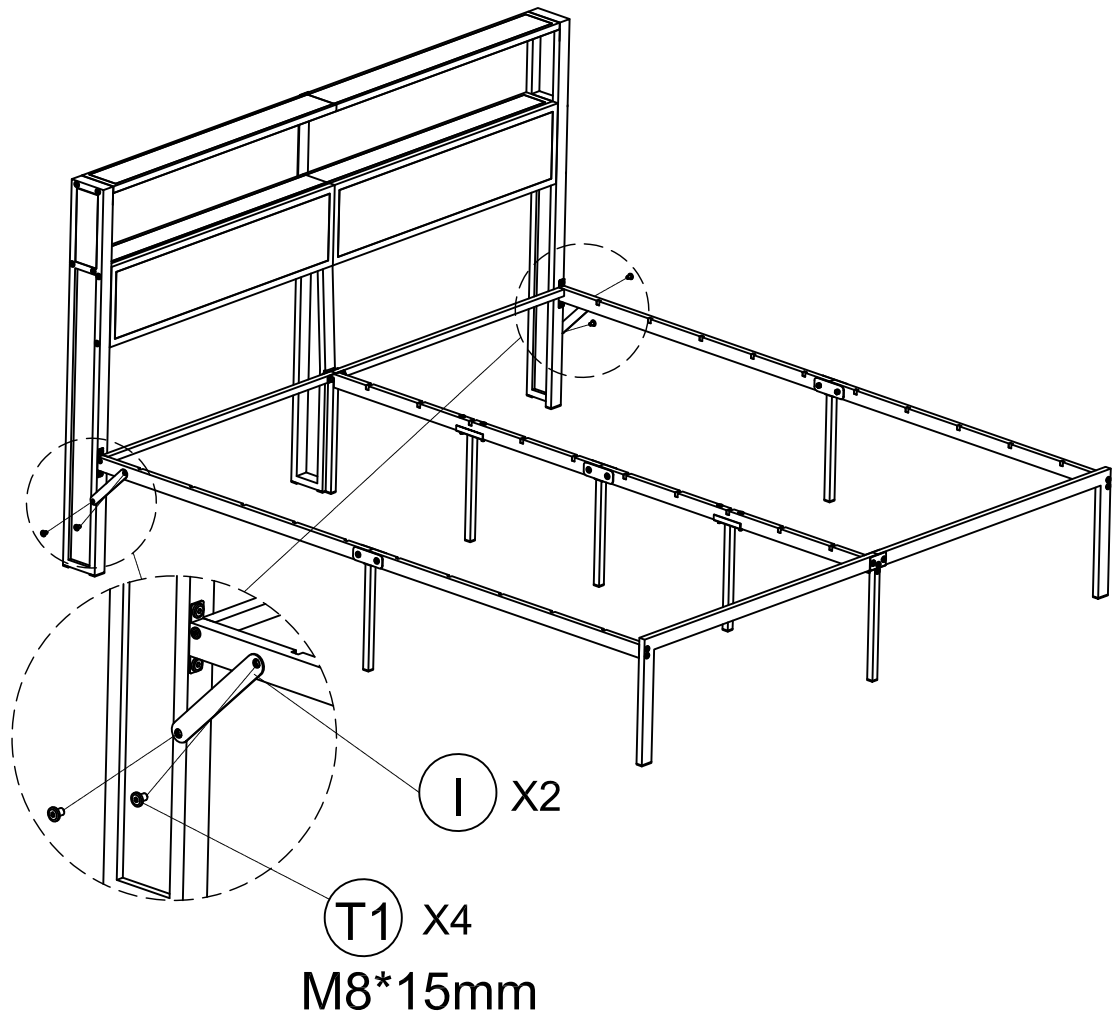


9

13

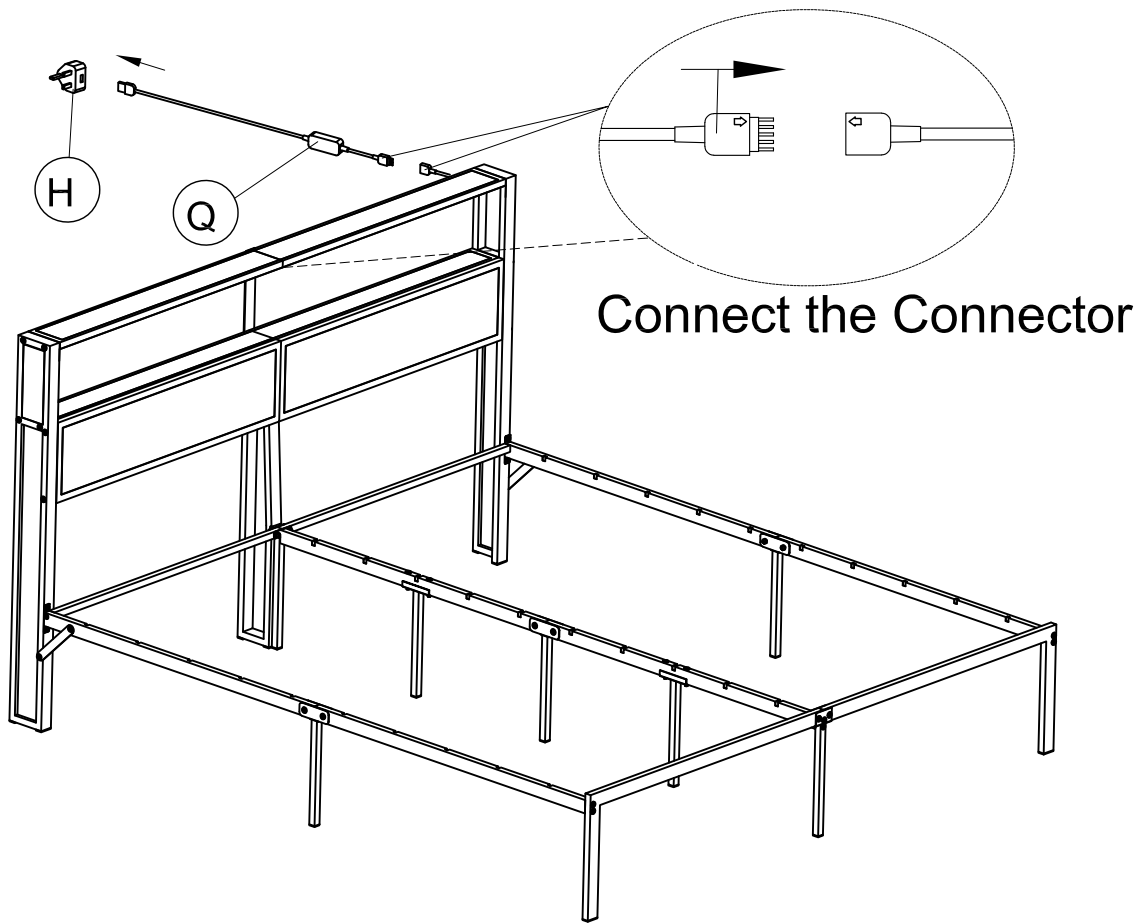


14

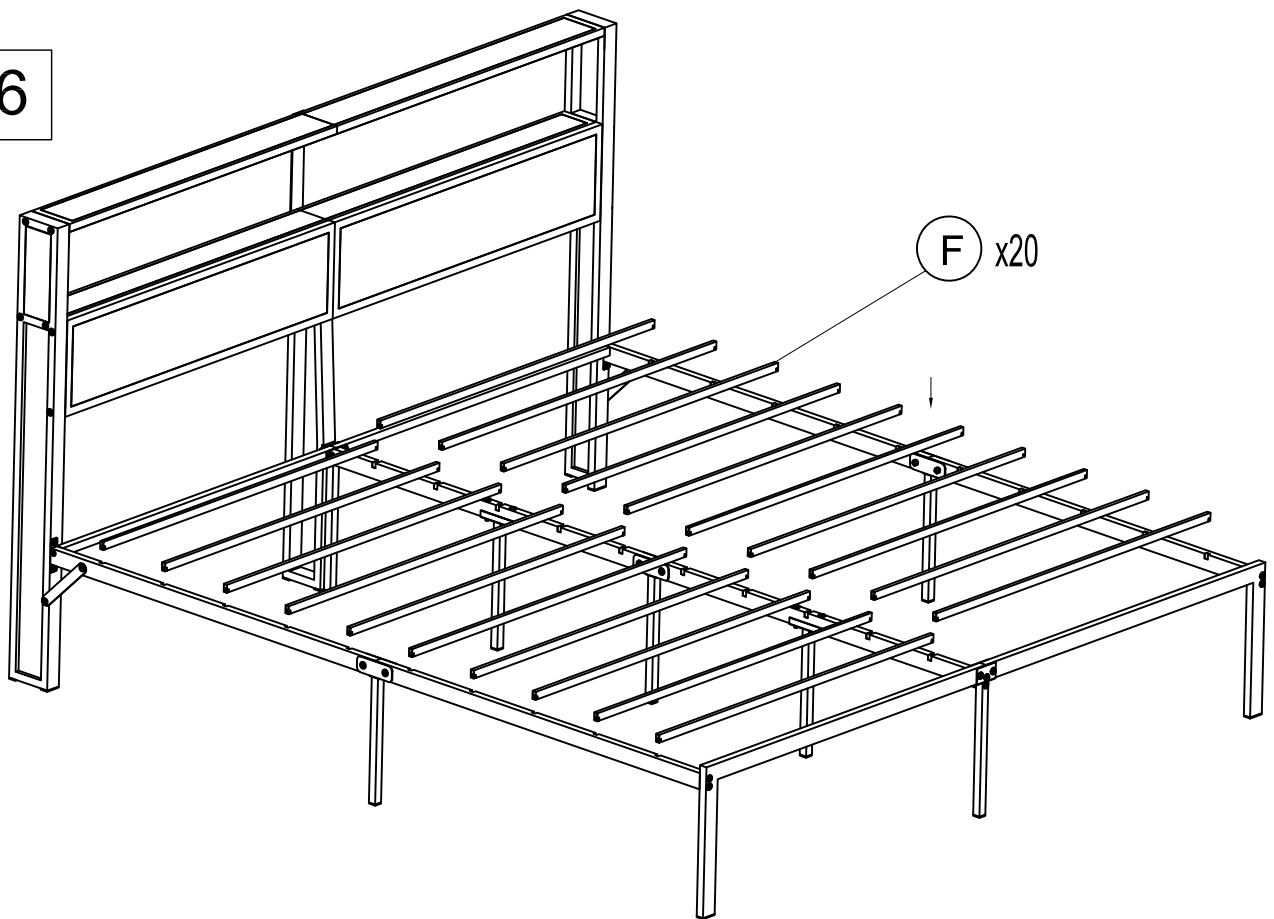


10

15



16



11

REMOTE CONTROL

Bright/Speed +/-

