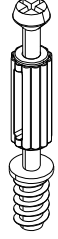
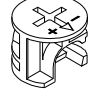
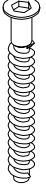


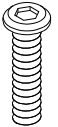

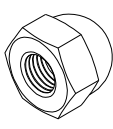
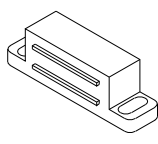
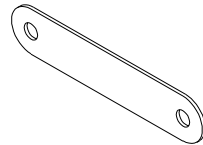
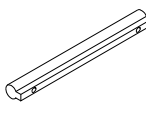

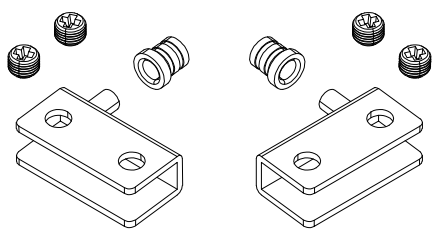
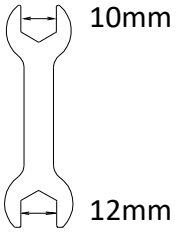
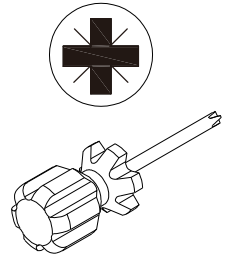
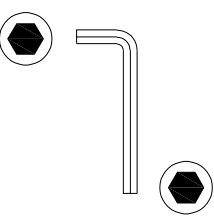
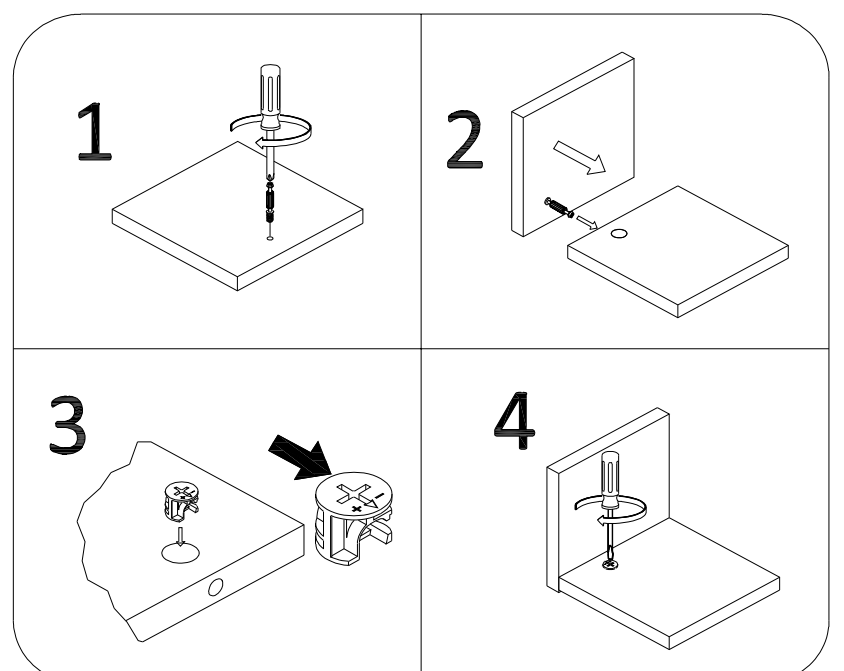
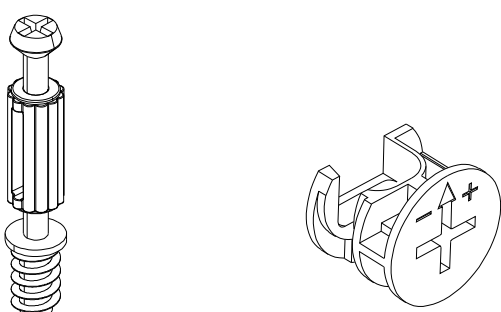


<p>A M5x42</p>  <p>26 PCS</p>	<p>B Ø15x10</p>  <p>26 PCS</p>	<p>C M7x50</p>  <p>22 PCS</p>	<p>D M3.5x14</p>  <p>8 PCS</p>	<p>E M6x10</p>  <p>4 PCS</p>	<p>F M6x25</p>  <p>6 PCS</p>
<p>G</p>  <p>4 PCS</p>	<p>H M6xL12</p>  <p>4 PCS</p>	<p>I</p>  <p>2 PCS</p>	<p>J Ø4x63</p>  <p>2 PCS</p>	<p>K 220-96</p>  <p>2 PCS</p>	<p>L M4x18</p>  <p>4 PCS</p>
<p>M</p>  <p>1 SETS</p>		 <p>10mm 12mm</p> <p>1 PCS</p>	 <p>1 PCS</p>	<p>4#</p>  <p>1 PCS</p>	

## Cam Lock Fastening System

This Cam Lock Fastening System will be used throughout the assembly process



1

A M5x42

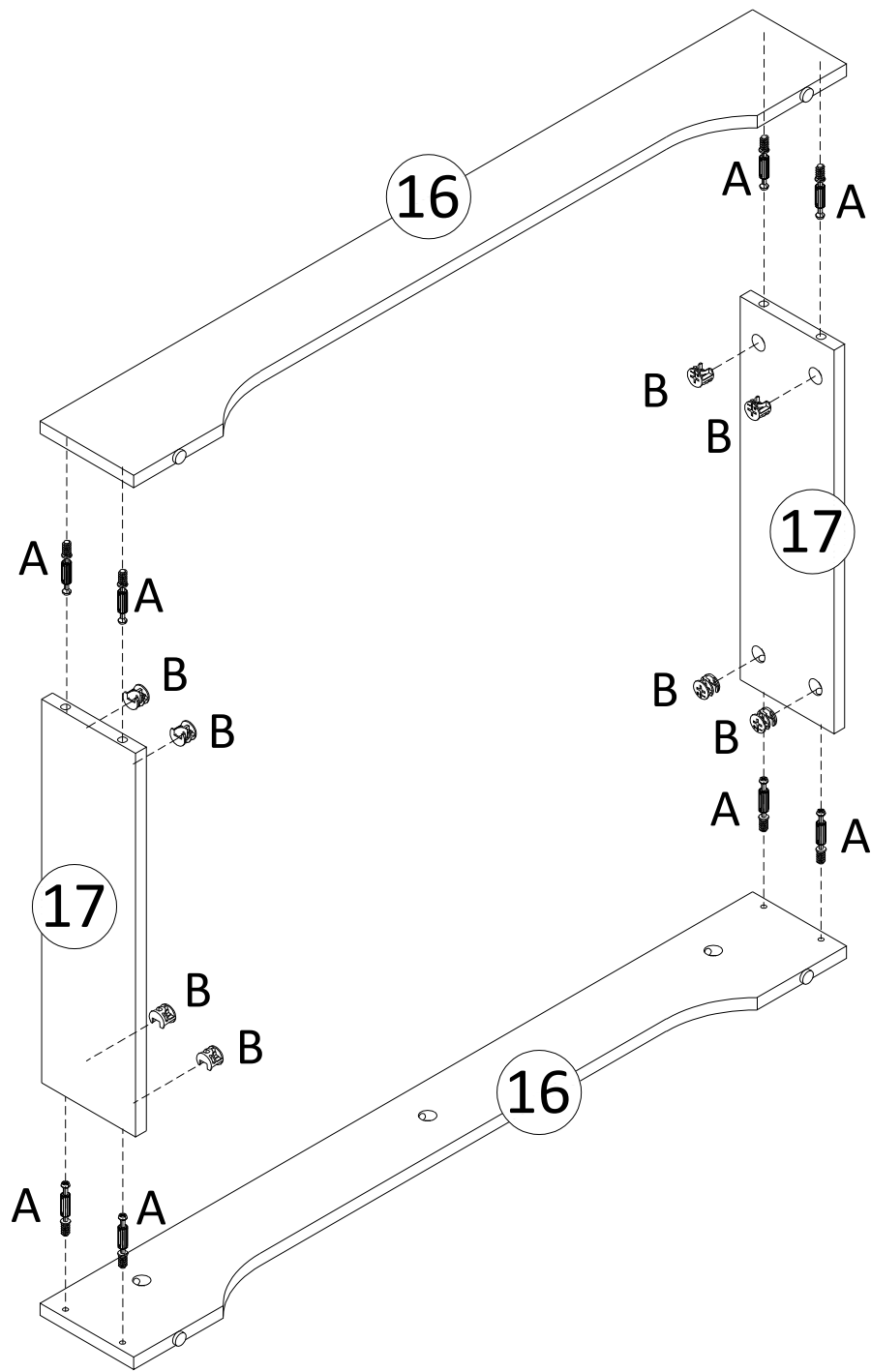


8 PCS

B Ø15x10



8 PCS



2

A M5x42

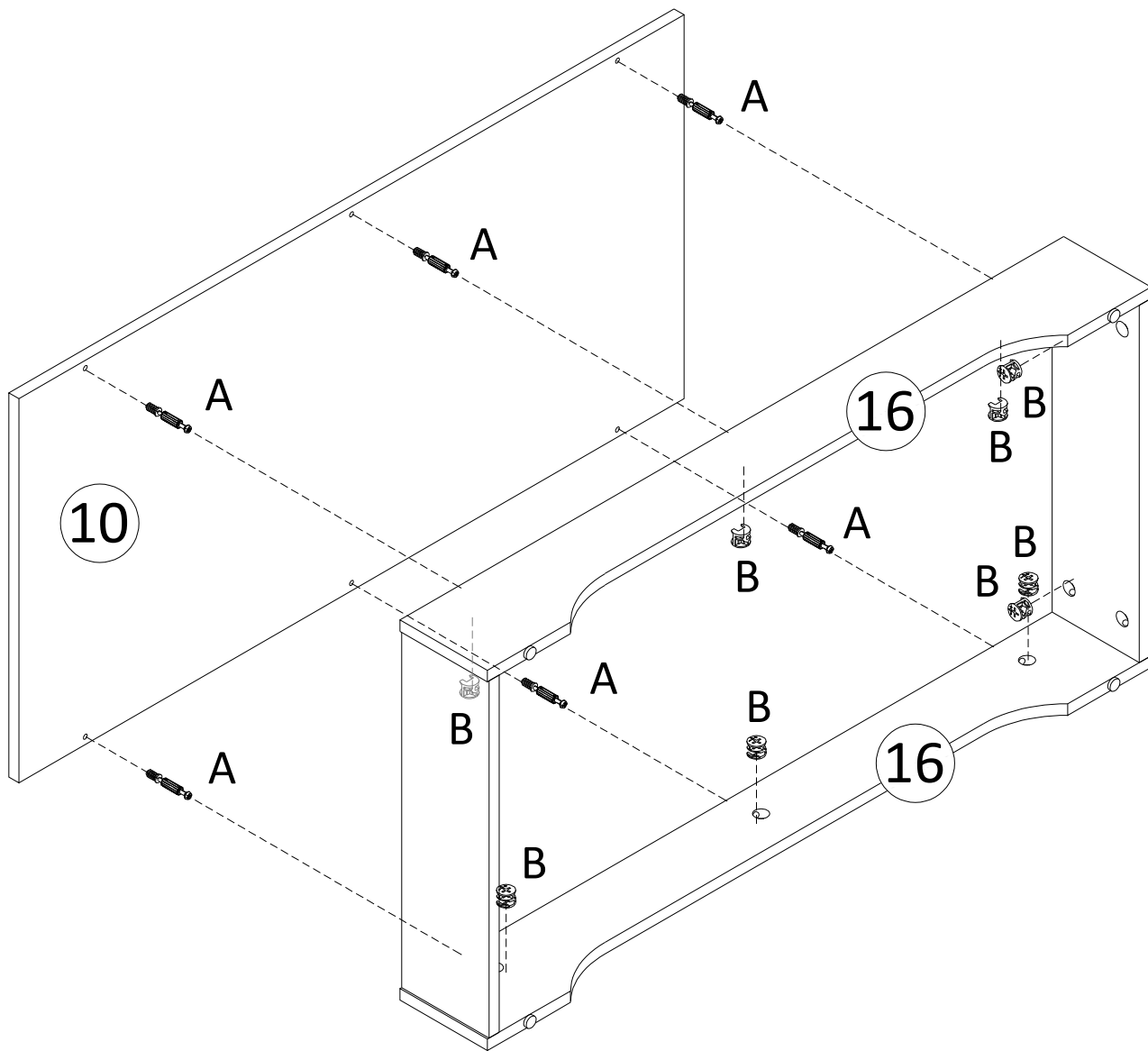


6 PCS

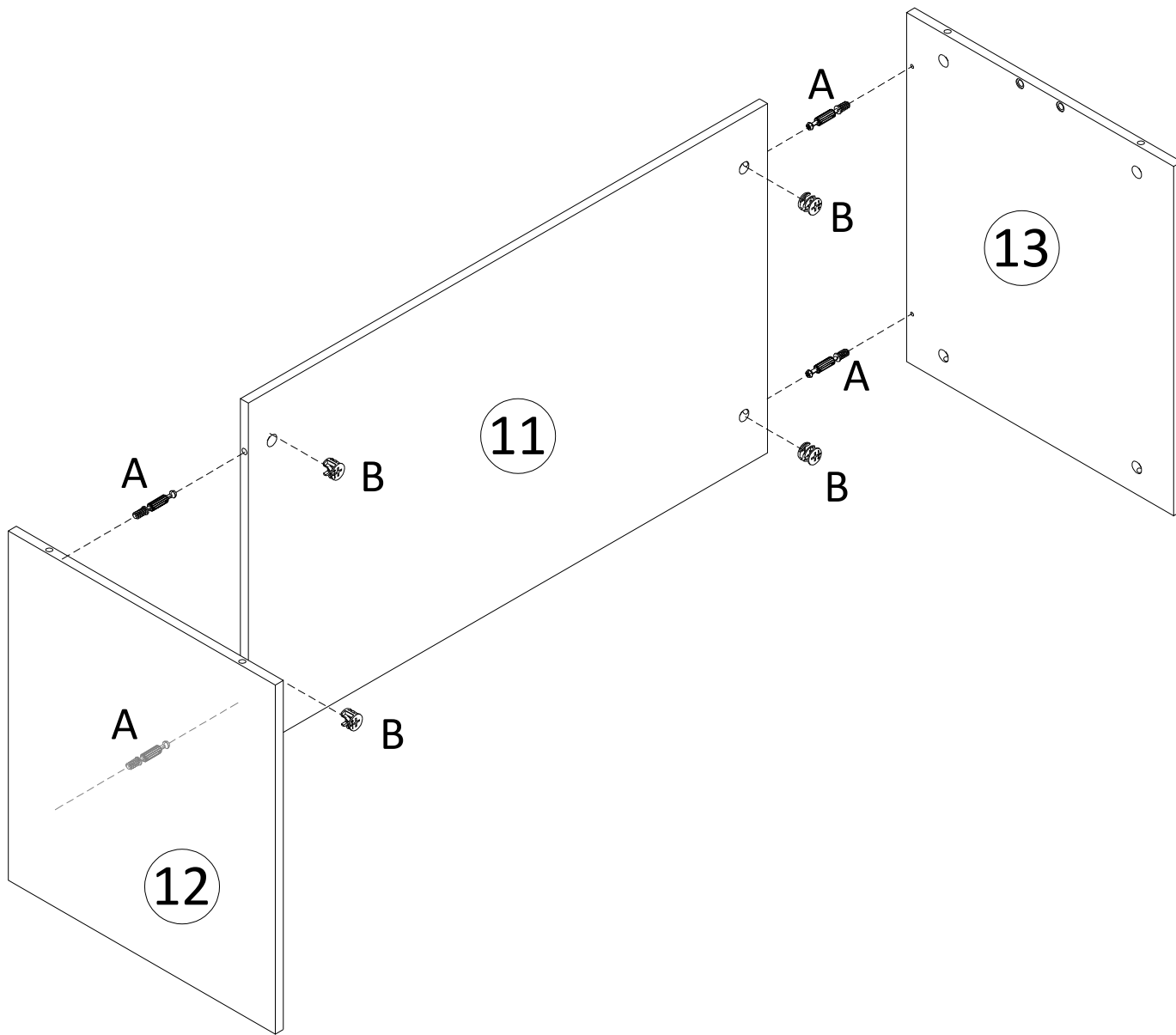
B Ø15x10



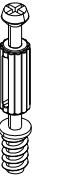
6 PCS



3



A M5x42



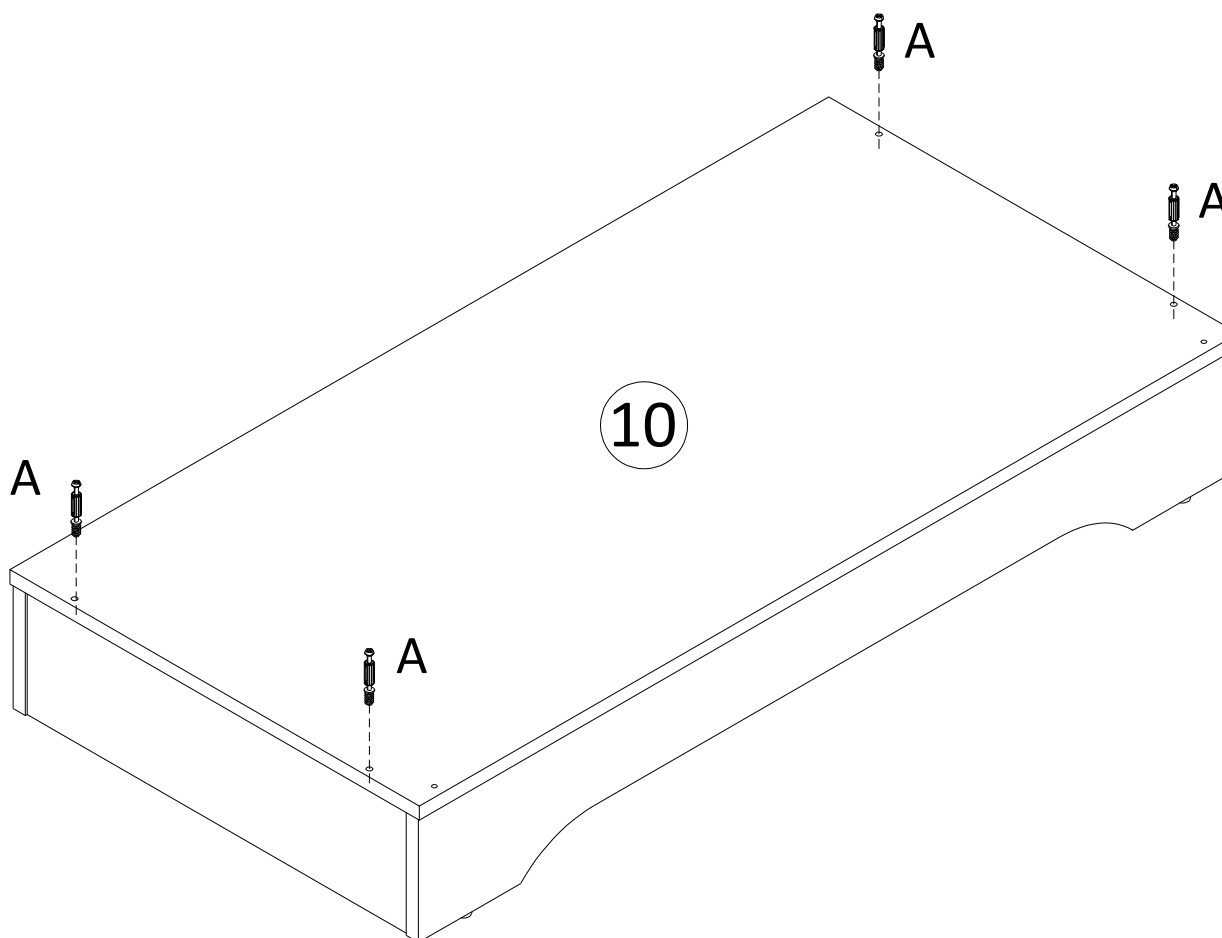
4 PCS

B Ø15x10

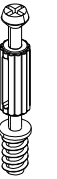


4 PCS

4



A M5x42



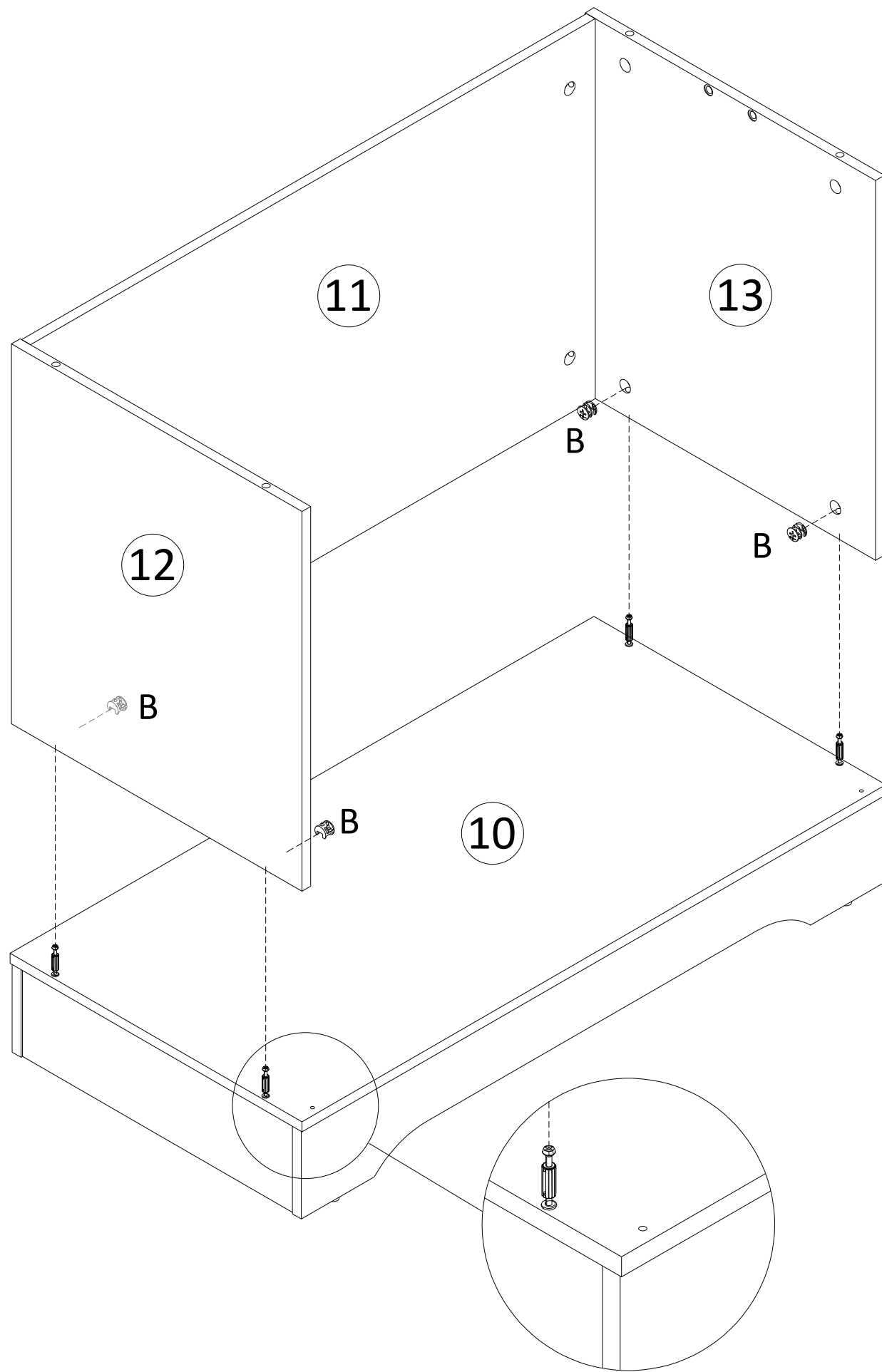
4 PCS

5

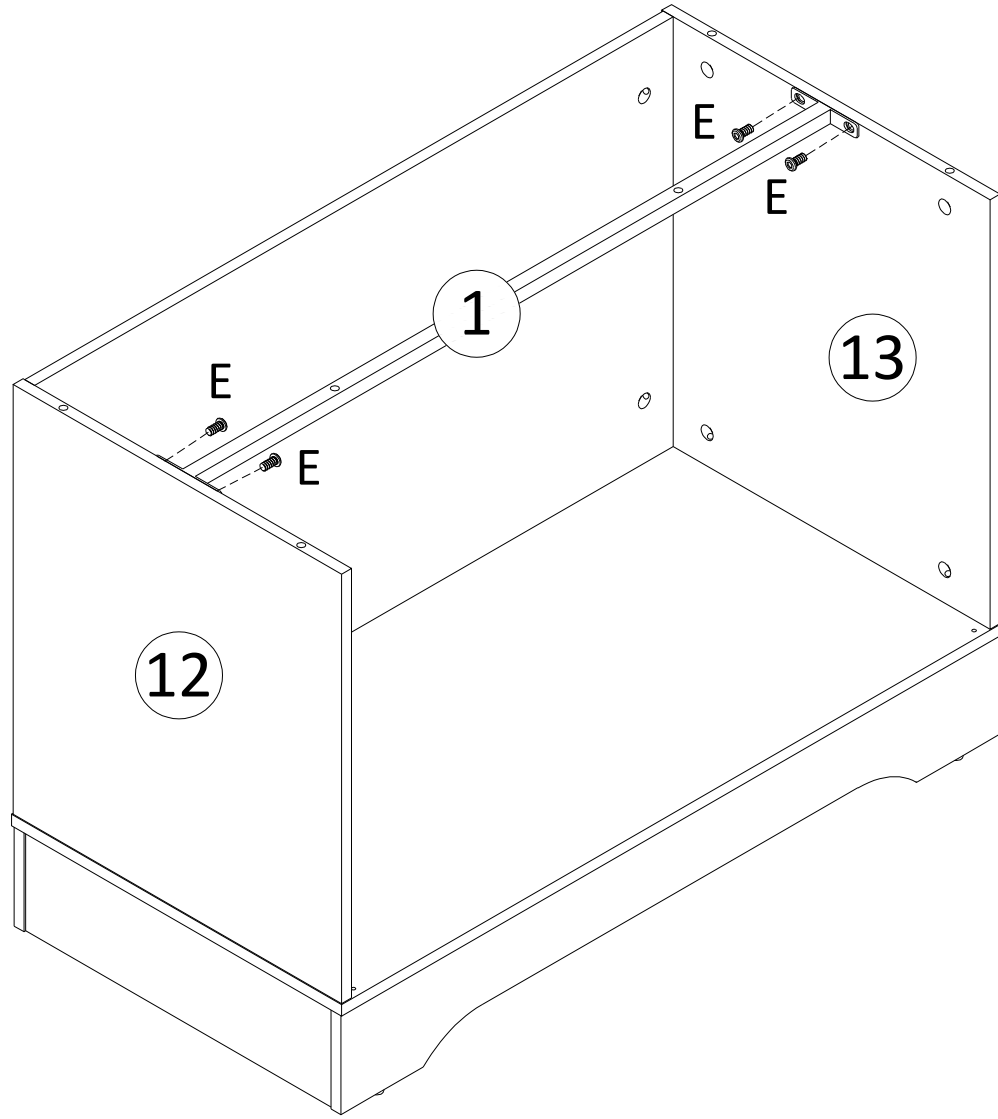
B Ø15x10



4 PCS



6

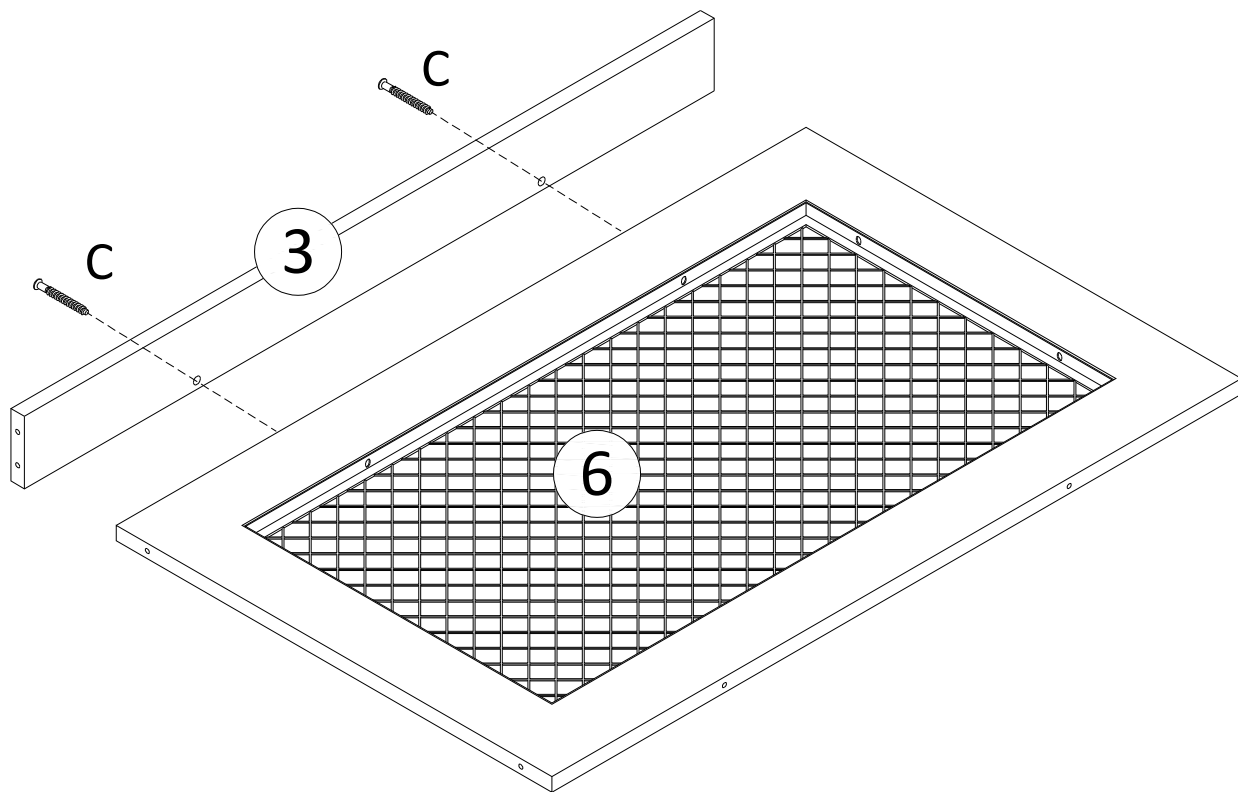


E M6x10



4 PCS

7



C M7x50



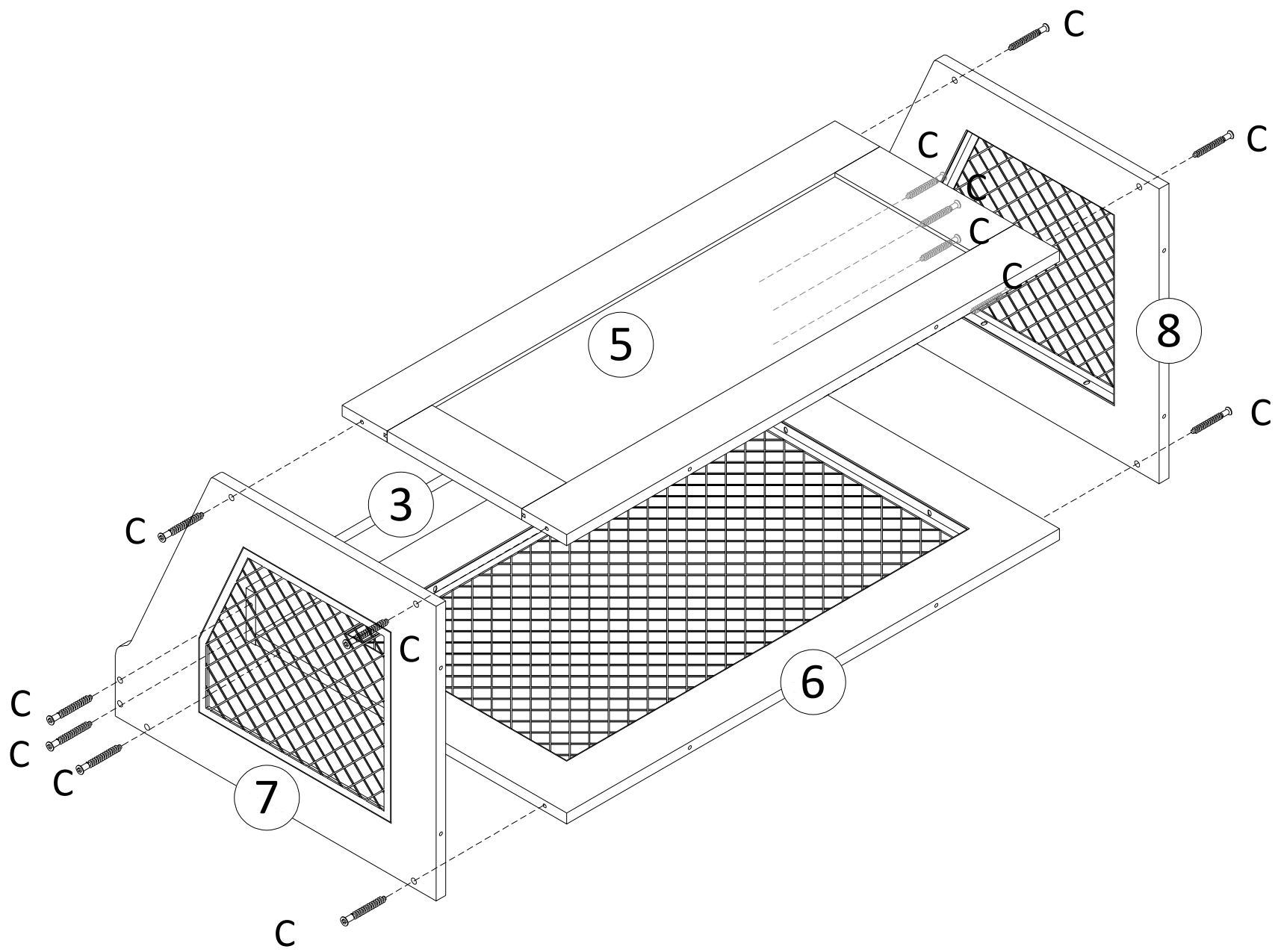
2 PCS

8

C M7x50



12 PCS

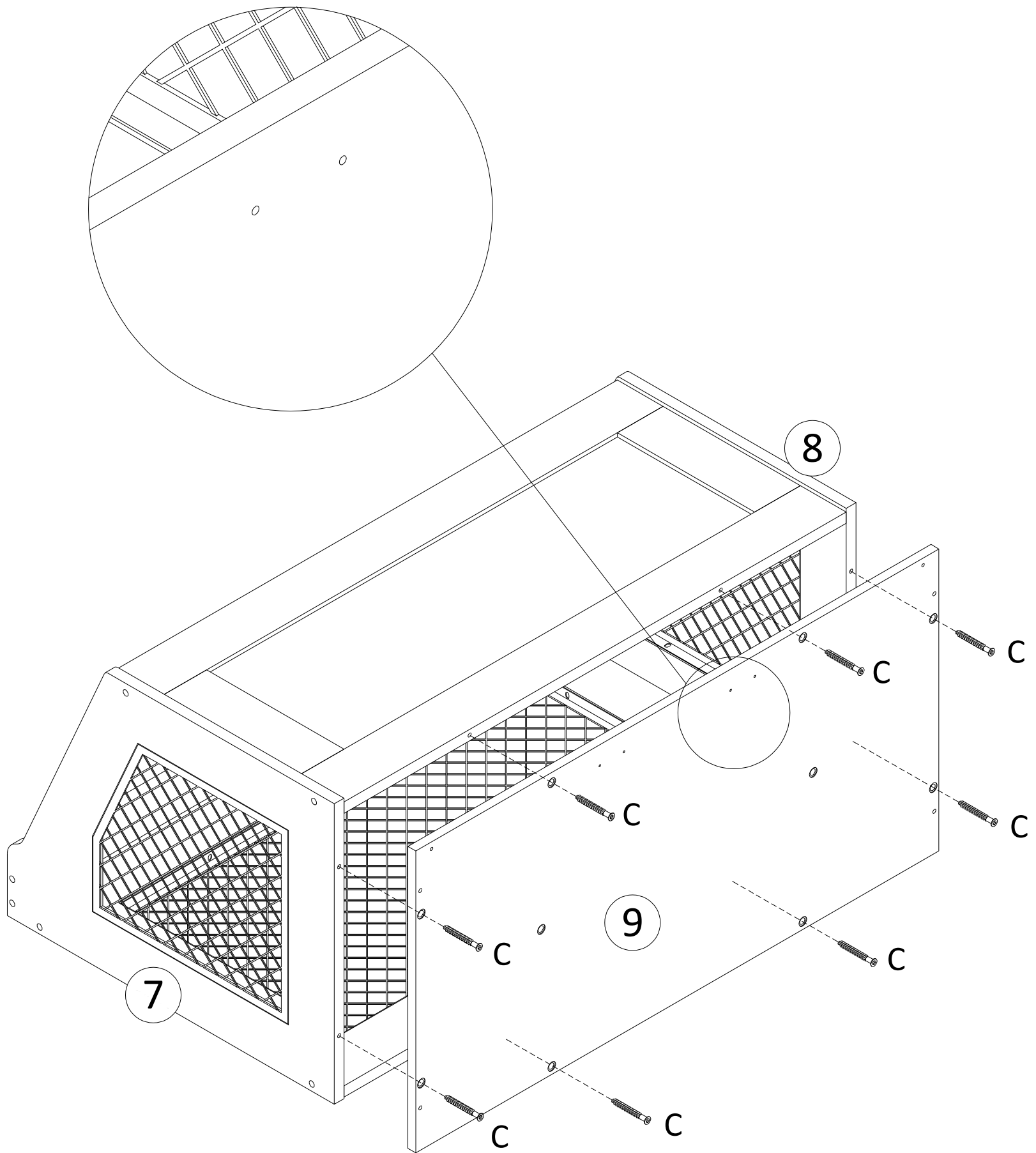


9

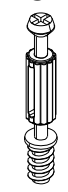

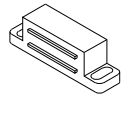
C M7x50

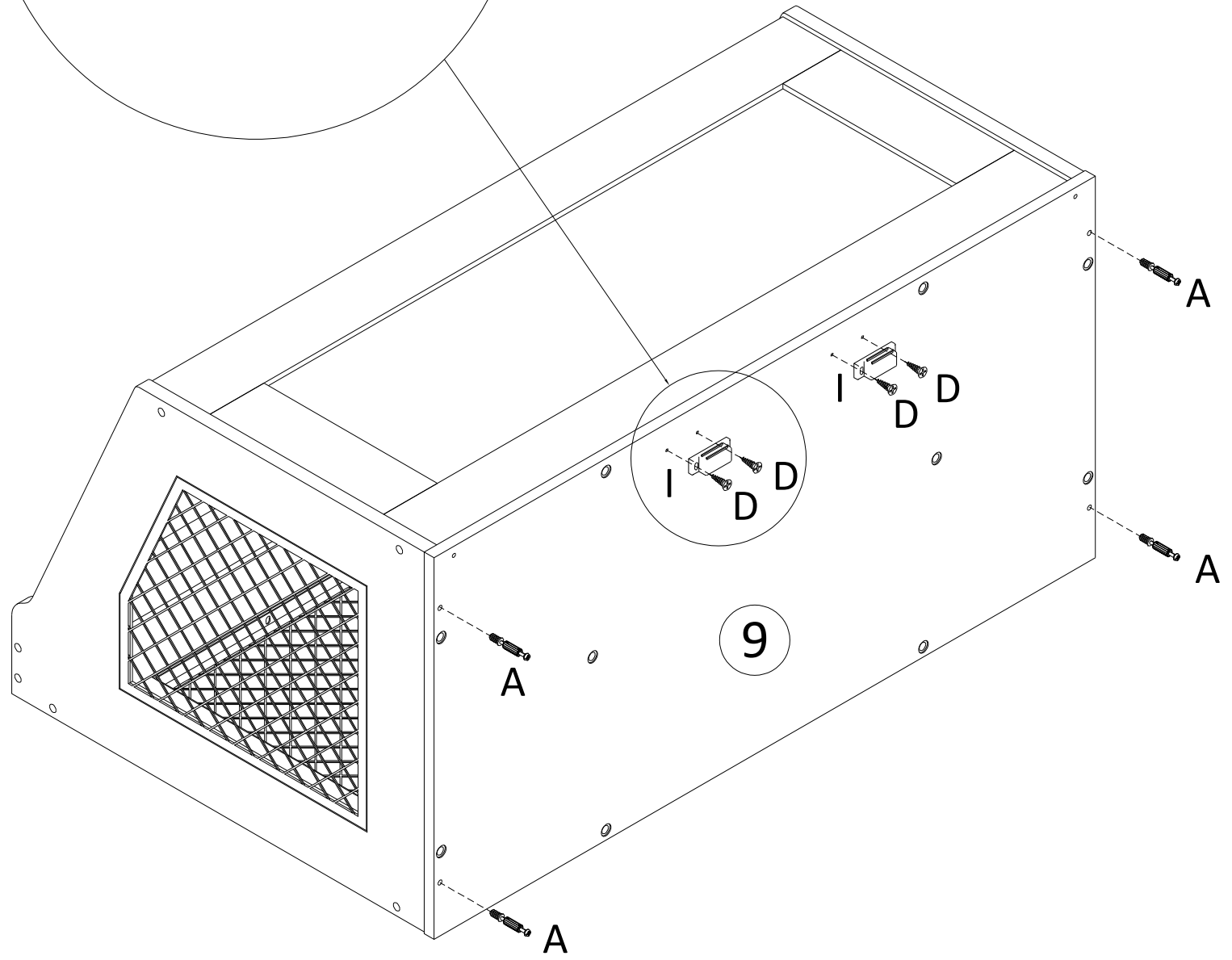
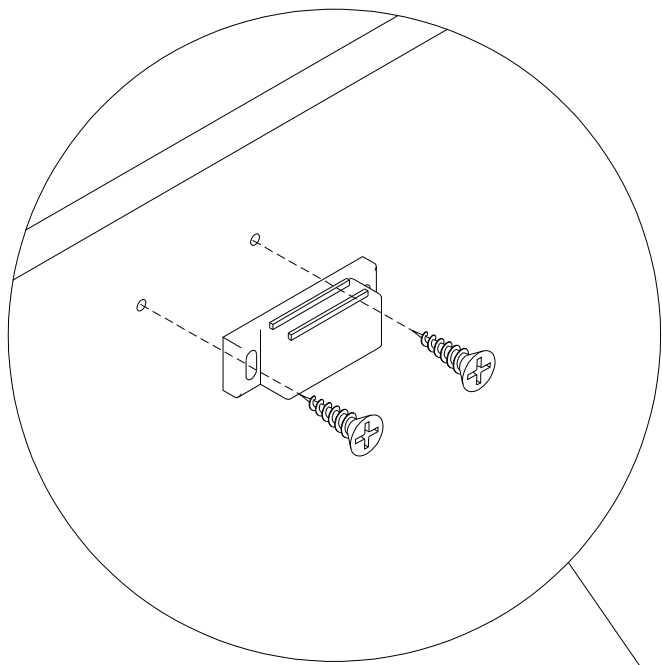


8 PCS



10

A M5x42  4 PCS	D M3.5x14  4 PCS
I  2 PCS	



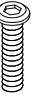
11

B Ø15x10

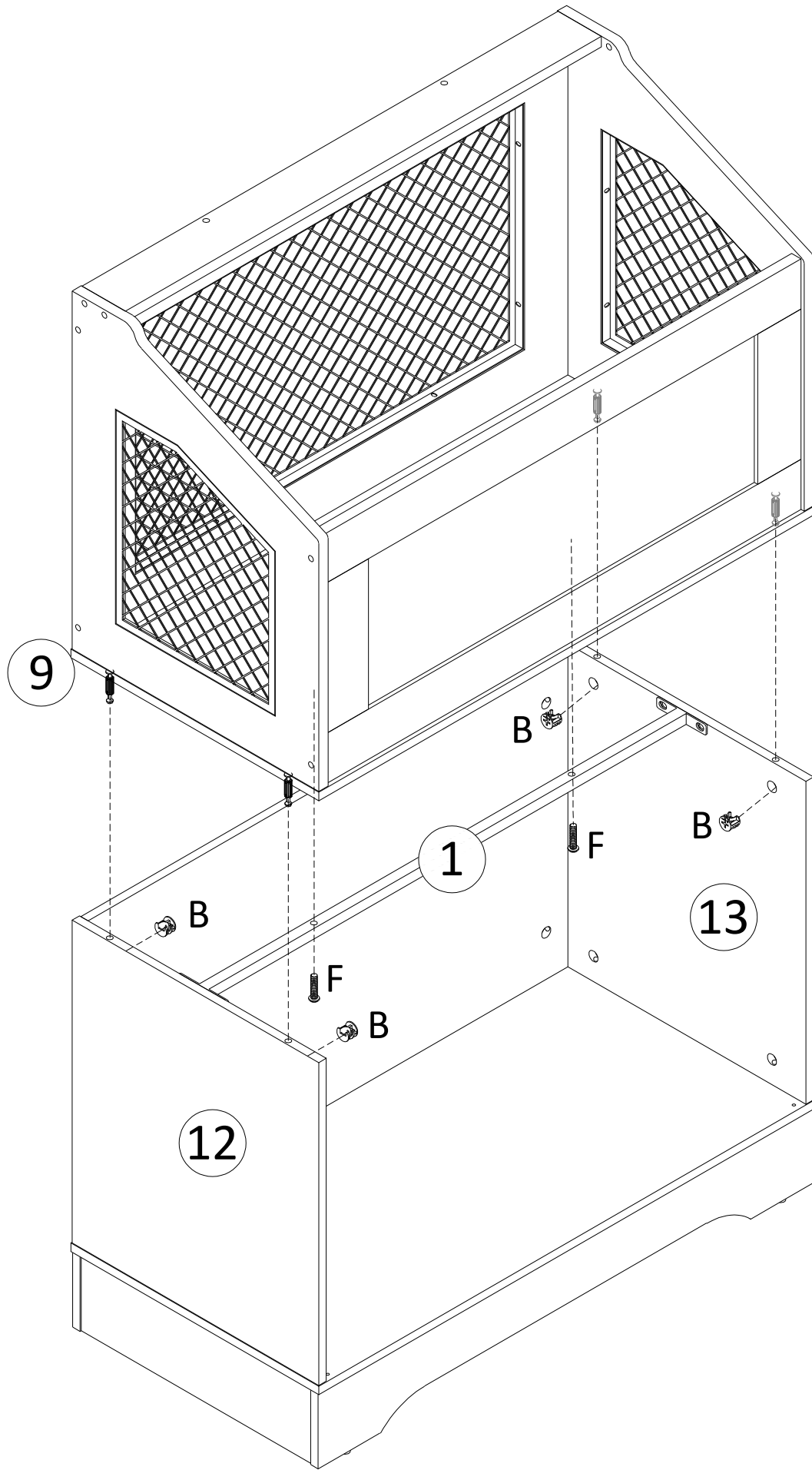


4 PCS

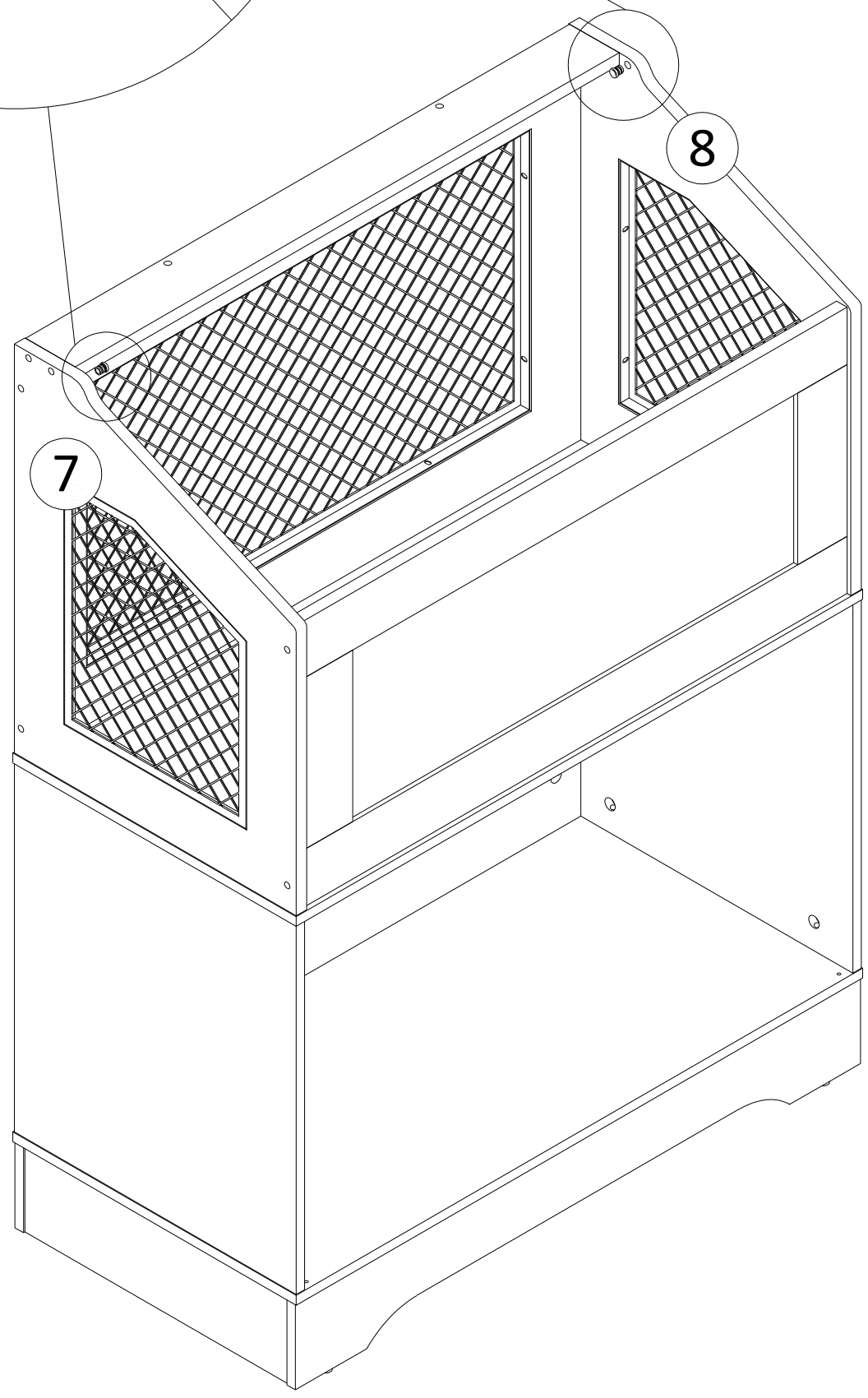
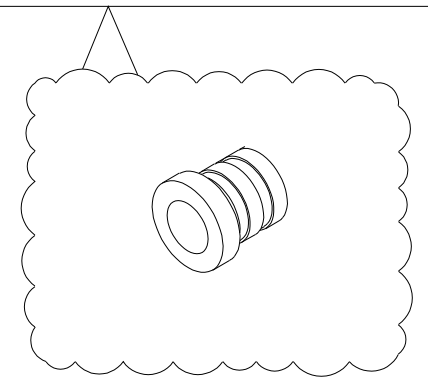
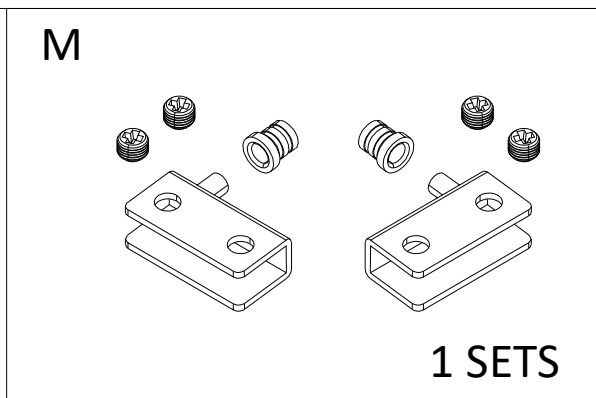
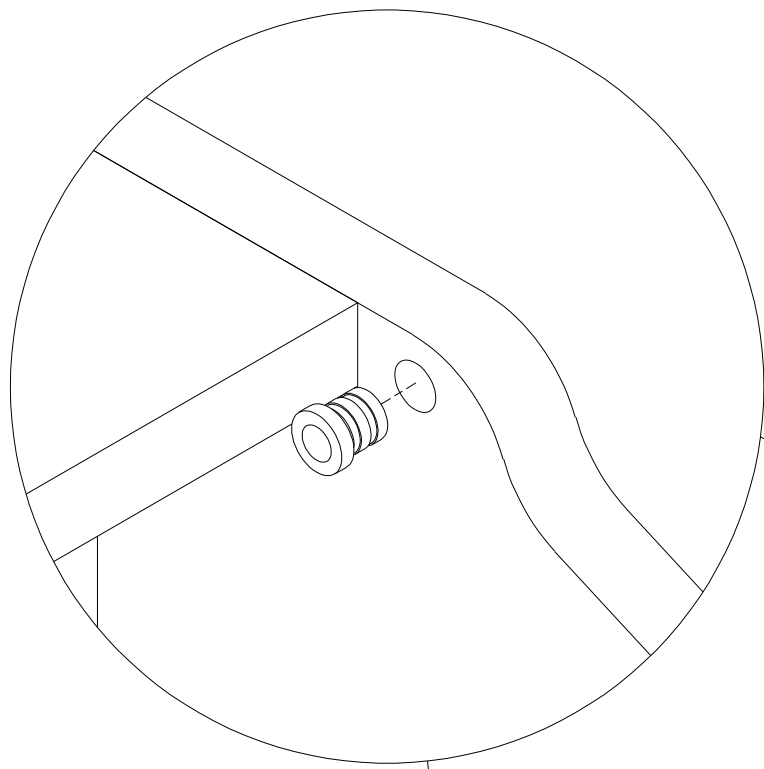
F M6x25



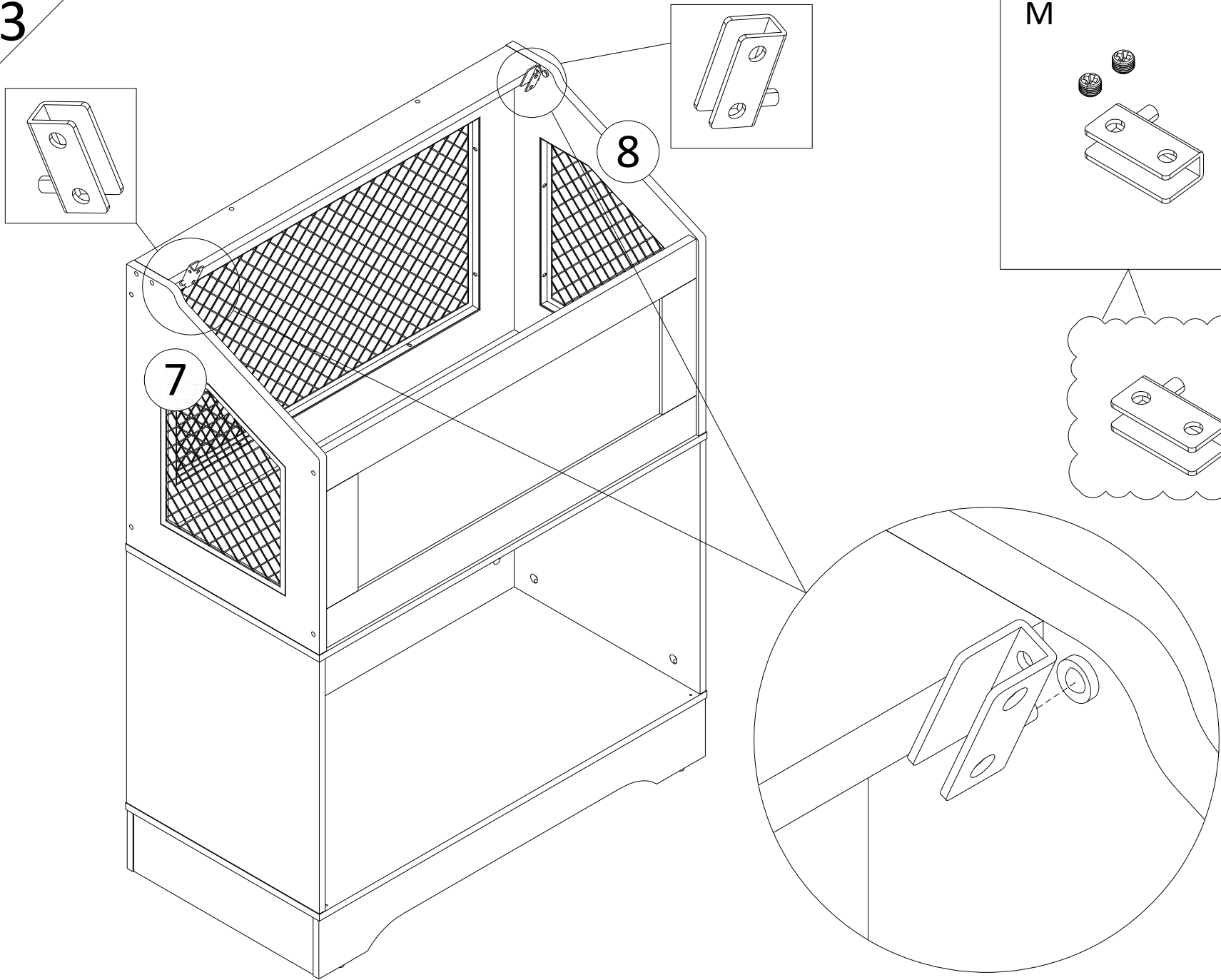
4 PCS



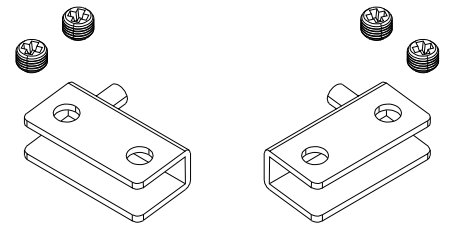
12



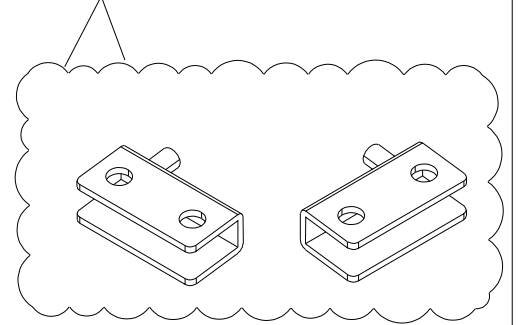
13



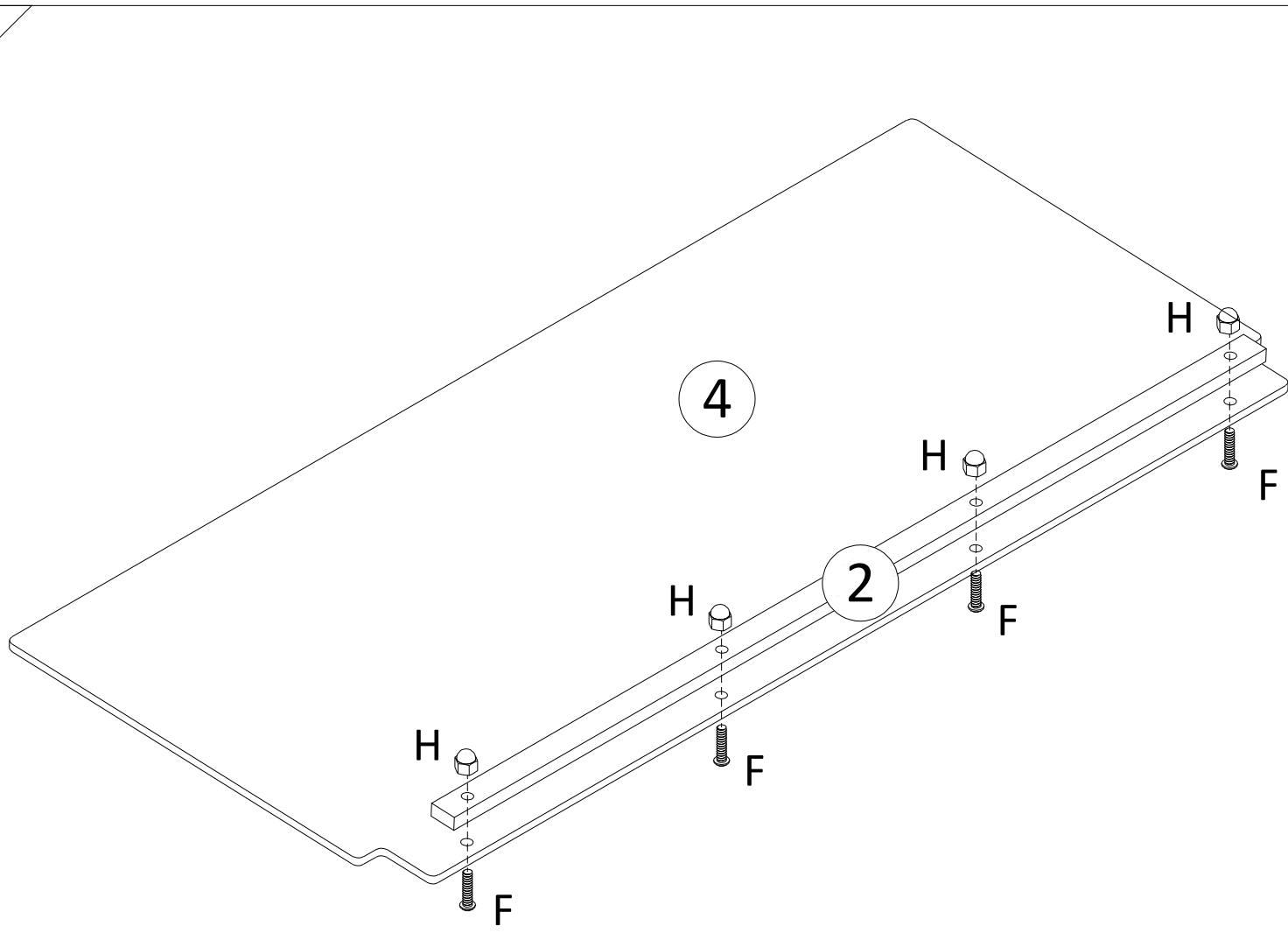
M



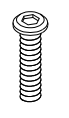
1 SETS



14

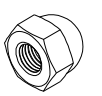


F M6x25



4 PCS

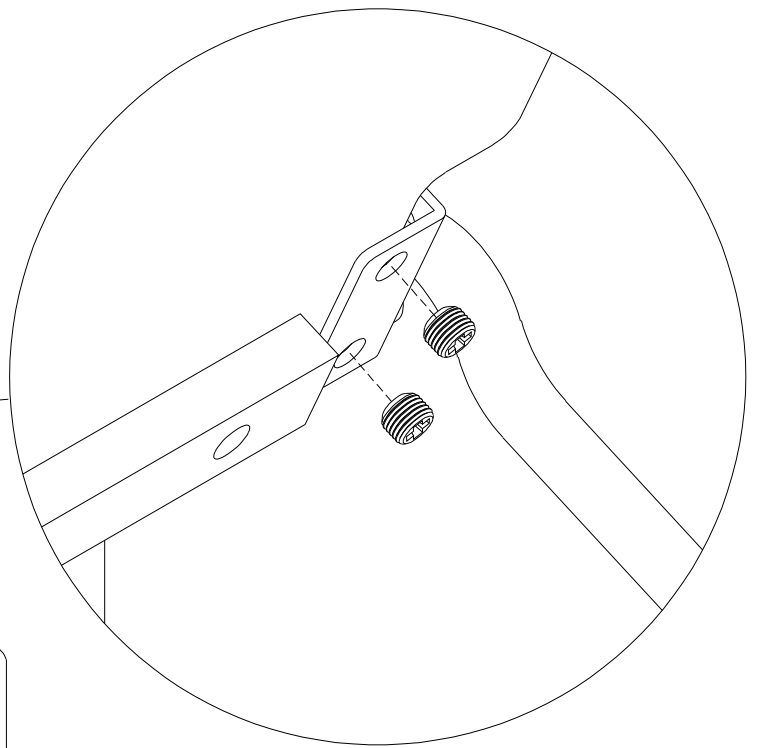
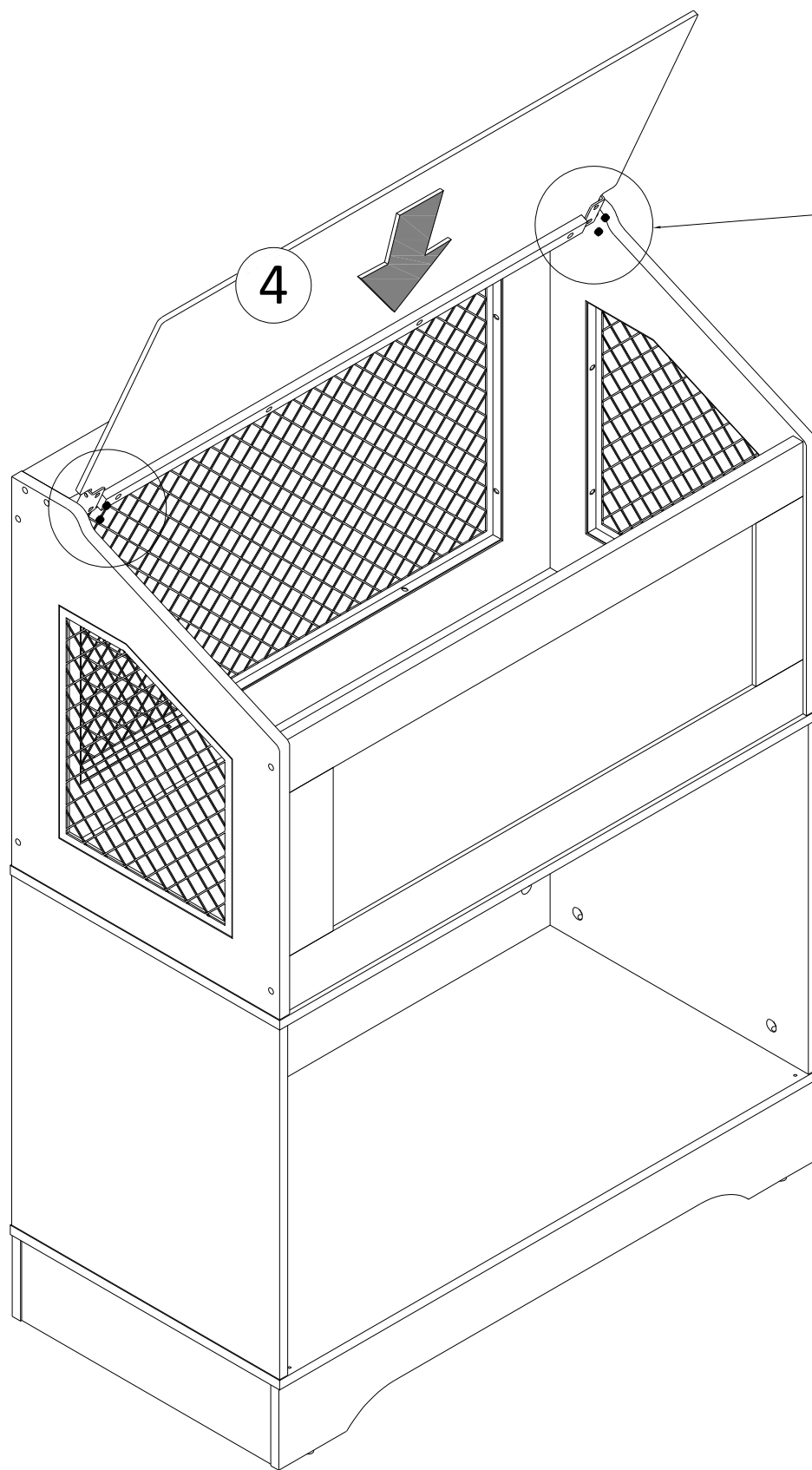
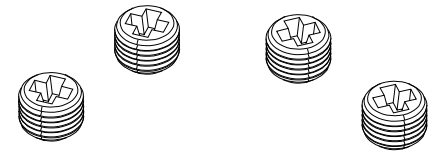
H M6xL12



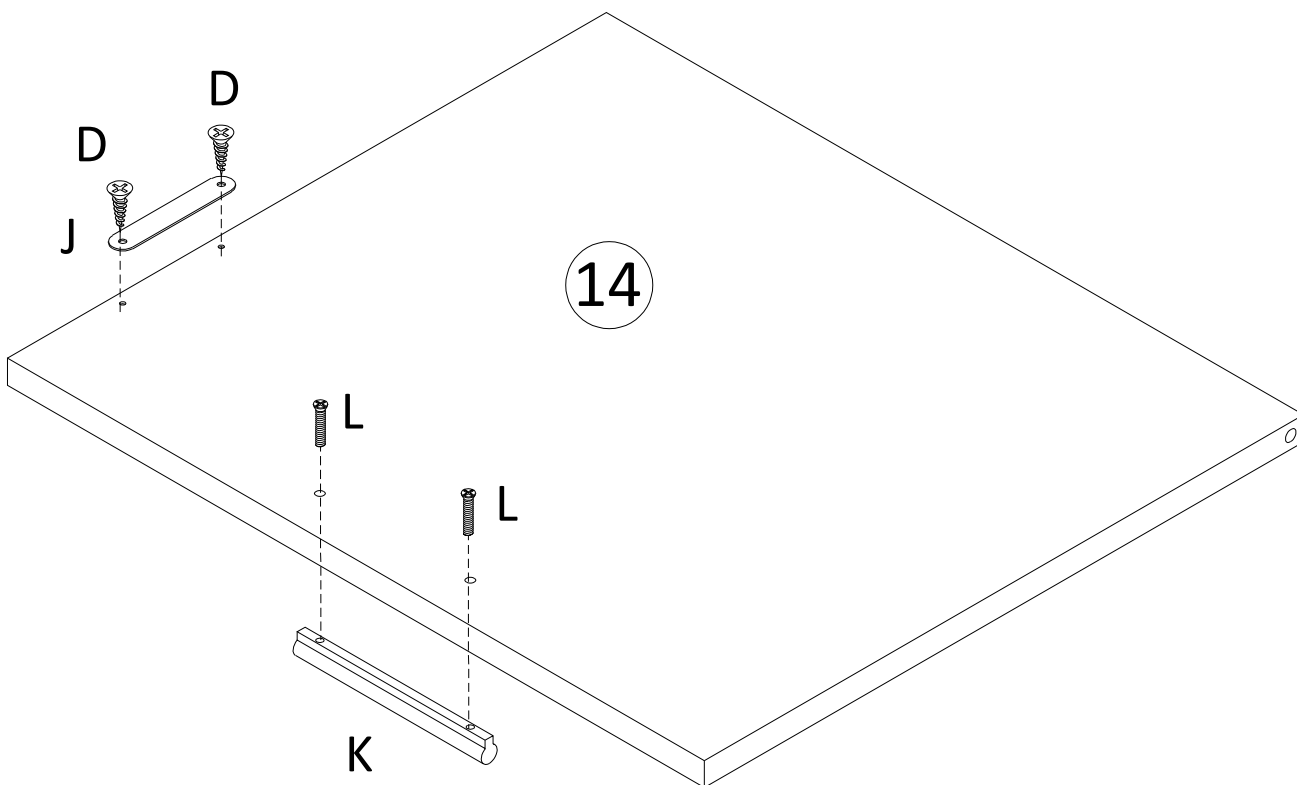
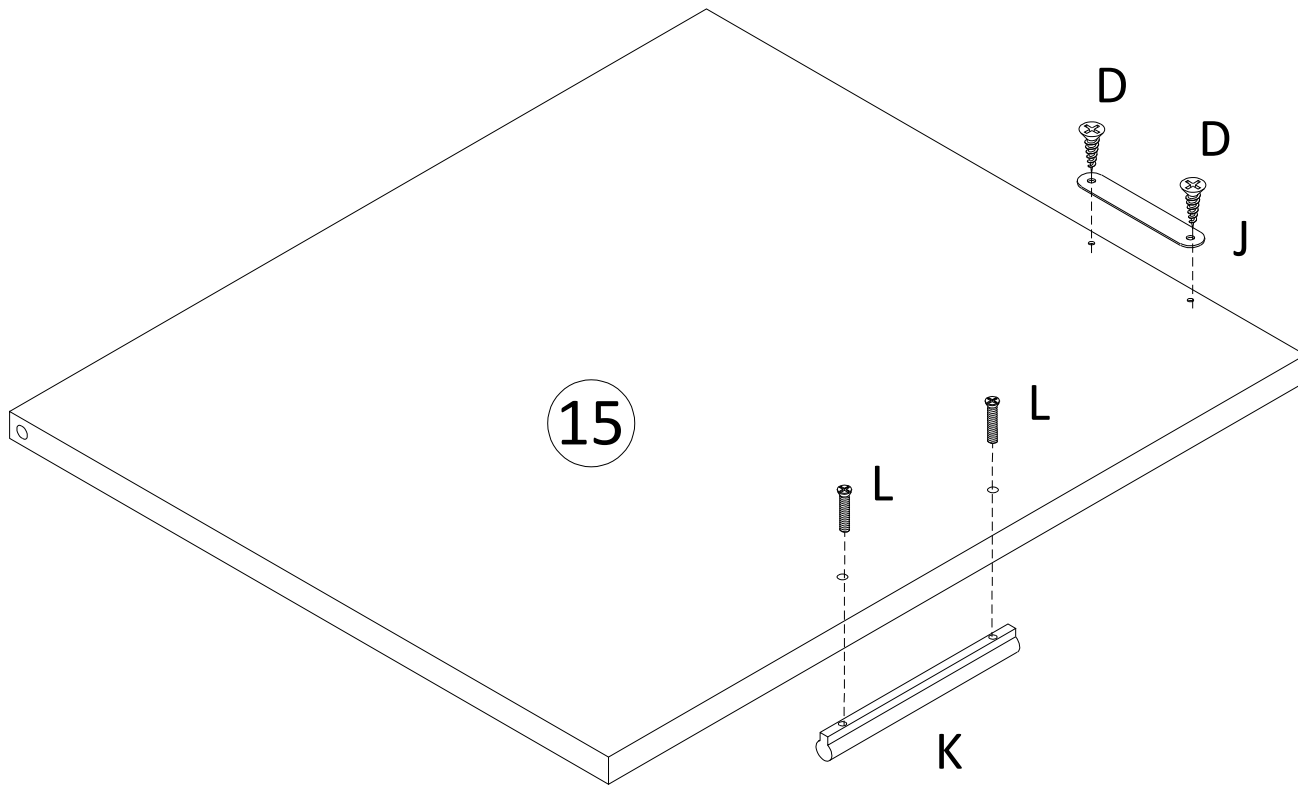
4 PCS

15

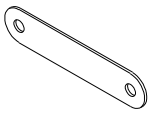
M



16

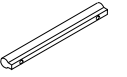


J Ø4x63



2 PCS

K 220-96



2 PCS

L M4x18



4 PCS

D M3.5x14



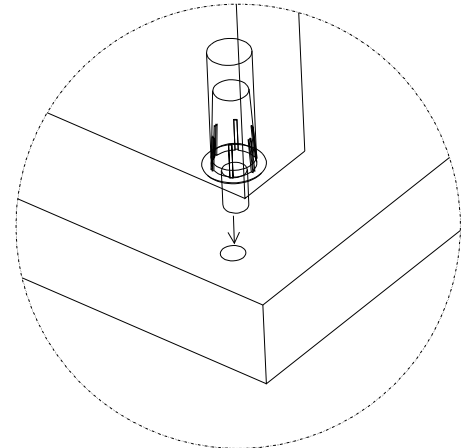
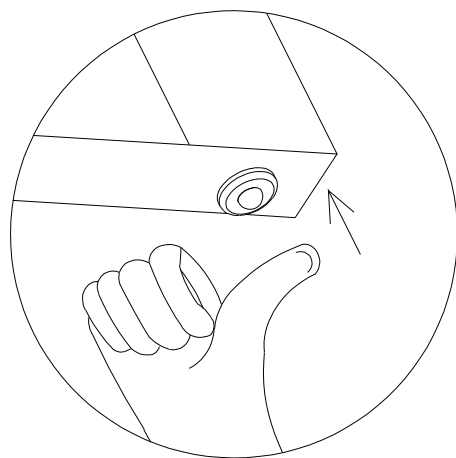
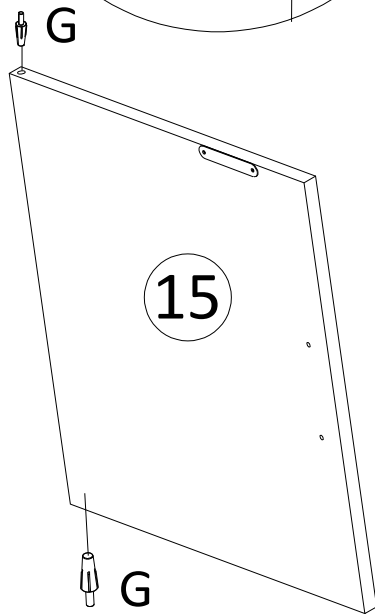
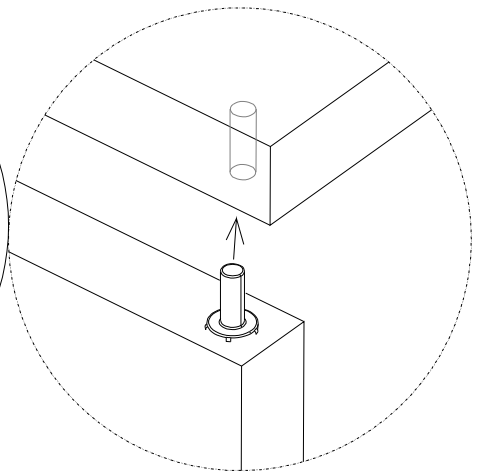
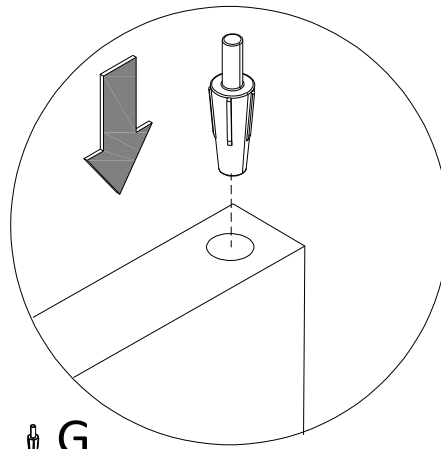
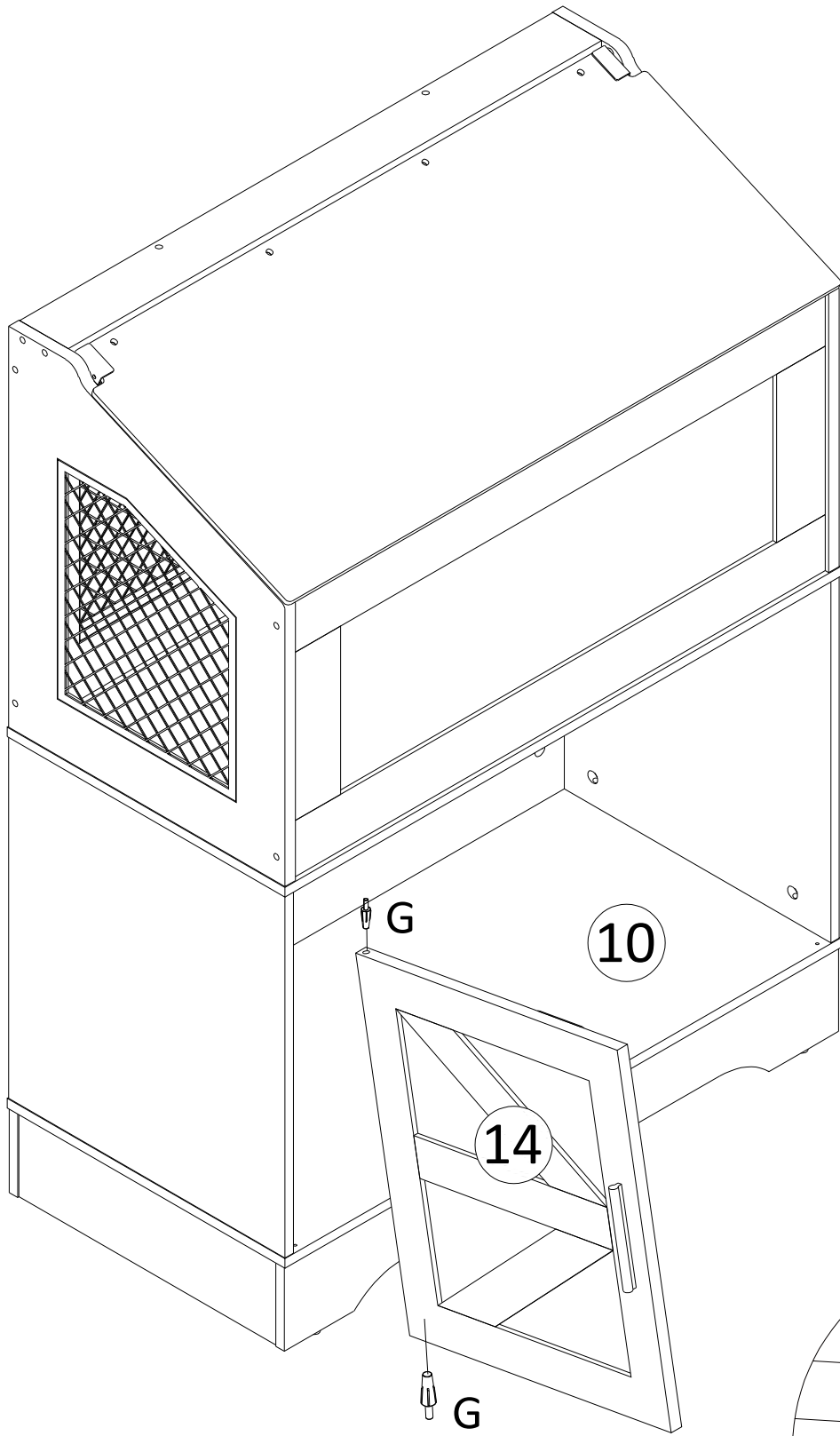
4 PCS

17

G



4 PCS



18

