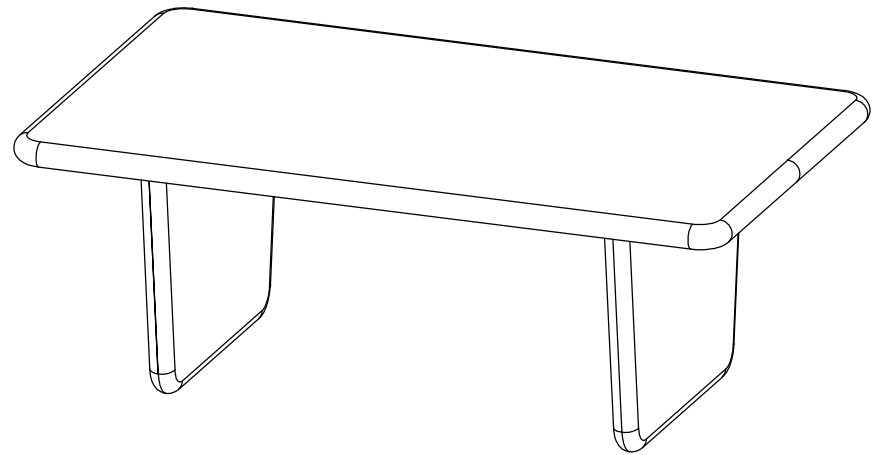


MARBLE COFFEE TABLE

Assembly Instructions



Everything we make is incredibly simple to set up, including your new coffee table. you won't need any additional tools.

Parts List

A x 1
TABLE TOP



HW1 x 16
Allen bolt 16x6MM



B x 2
LEG



HW2 x 16
Flat washer 16x8MM



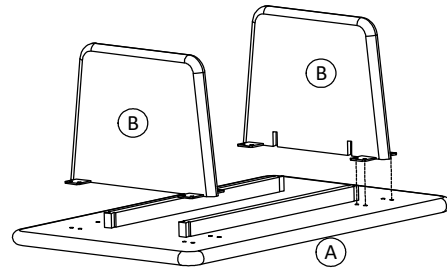
HW3 x 1
Allen Key 4MM



Hardware List

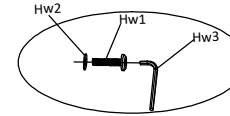
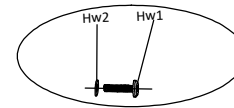
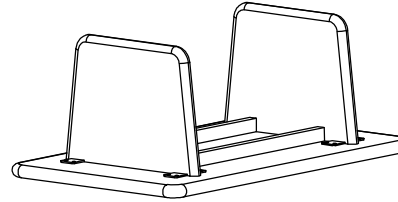
1

Place the table top (A) upside down on a clean surface. Align the screw holes on the legs (B) to the screw holes on the bottom of the table top (A).



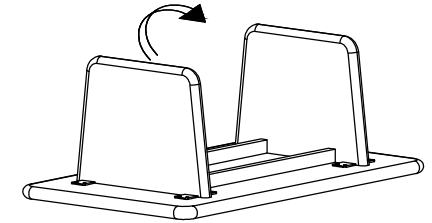
2

Place the flat washers (HW2) on the Allen bolts (HW1). Use the Allen Key (HW3) to screw in the Allen bolts (HW1) with the washers (HW2).



3

Flip the coffee table upright with help of another person.



4

Place the coffee table in the position where you will use it.

