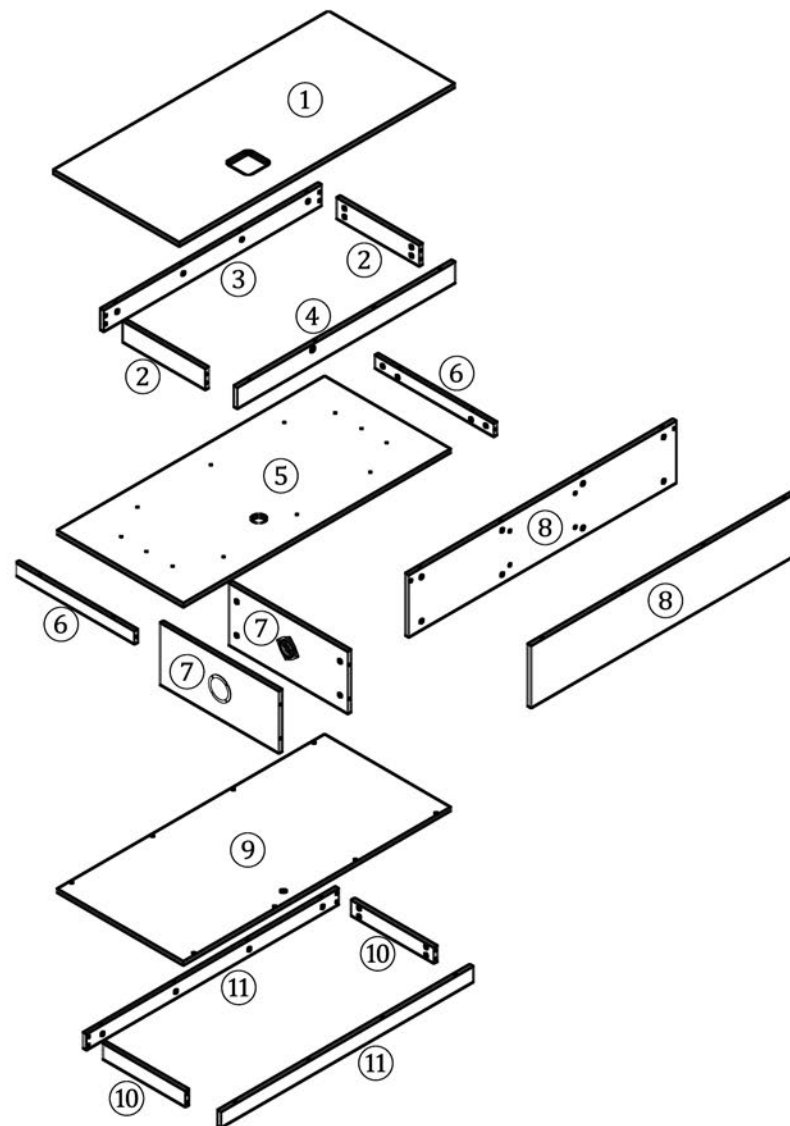
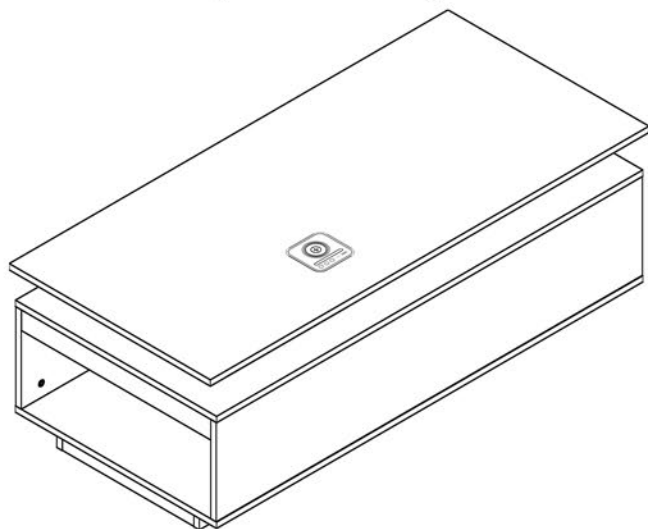


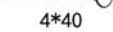



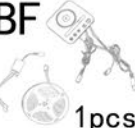



# ASSEMBLY INSTRUCTION

- Please follow the instructions to assemble the items correctly.
- Please ensure the safety of the glass when assembling.
- Do not make the screws too loose or too tight.
- As shown in the figure, Insert the screw into the hole.  
The arrow in the picture, Then rotate 90° or 180° clockwise.
- The accessory bag contains some small accessories, which should be kept away from children.
- The remaining parts are spare parts.
- Warm reminder white backboard please install the white side inward
- The operating instruction of RGB light is included in the package , please read it carefully when assembling

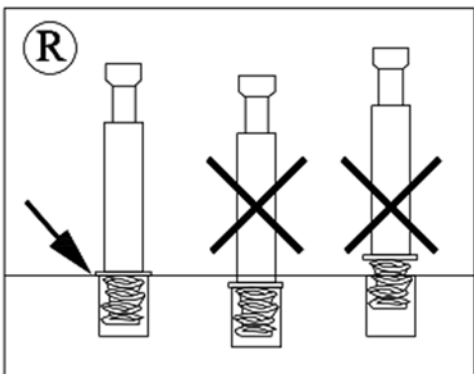
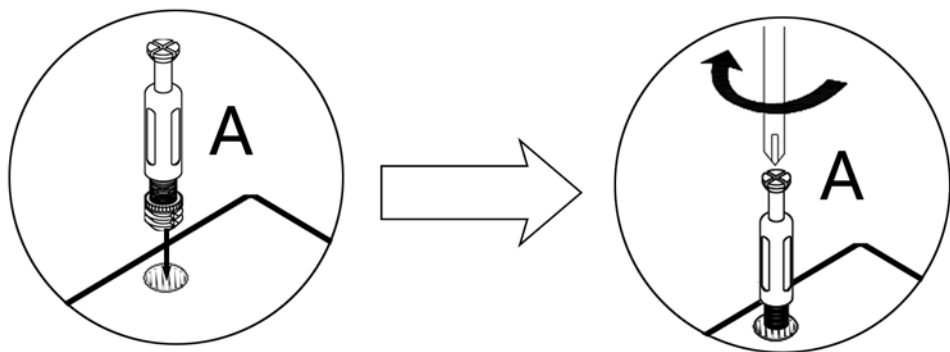


<b>A</b>  64pcs	<b>B</b>  64pcs	<b>C3</b>  4*40 10pcs	<b>E</b>  8*40 2pcs	<b>AC</b>  8pcs	<b>AM</b>  Decorative paper 20pcs	<b>BF</b>  1pcs
<b>BC1</b>  1pcs						



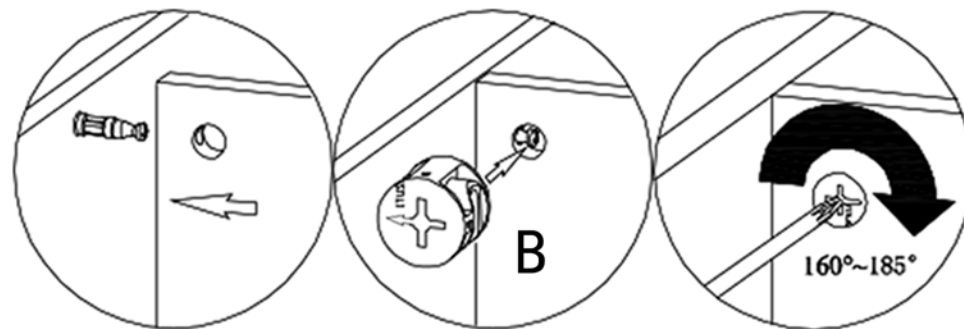
## Hardware installation demonstration

- Please make sure "A" hardware tightened and can't be pulled out

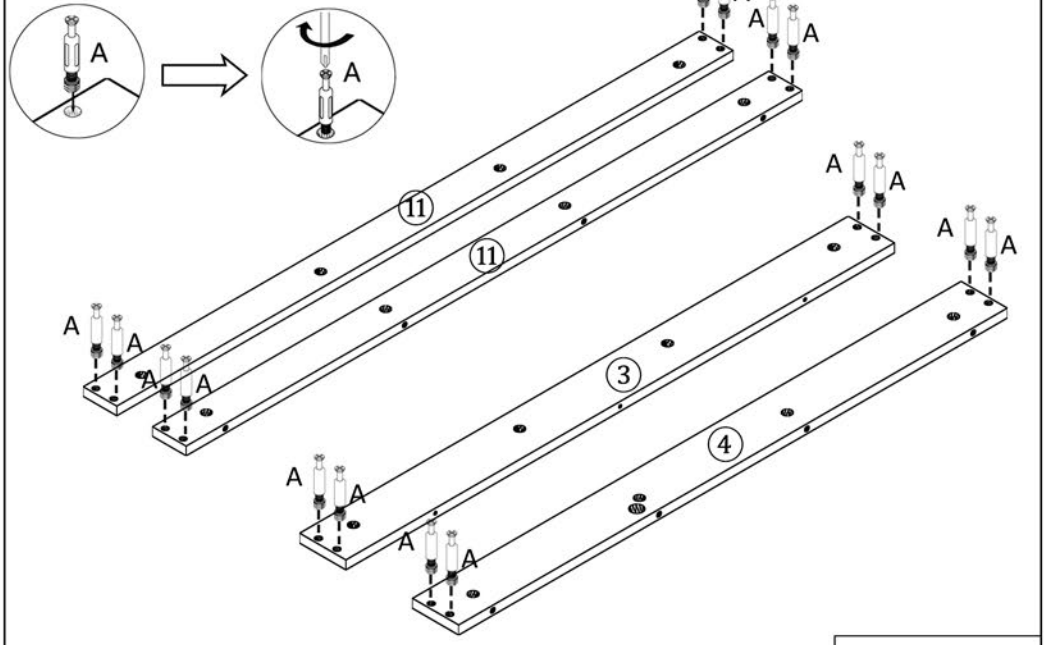


## Hardware installation demonstration

- When inserting cam ensure arrowhead on cam points toward to the hole on the panel edge

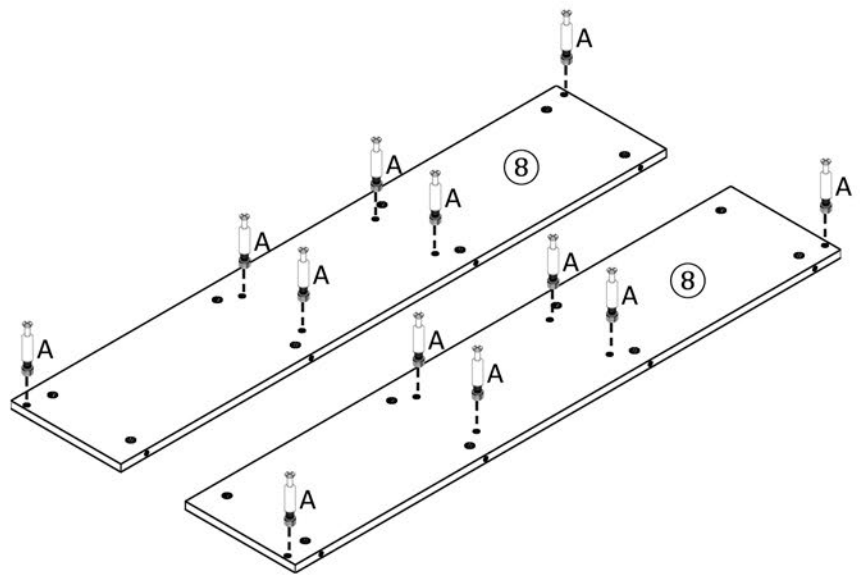



### STEP 1



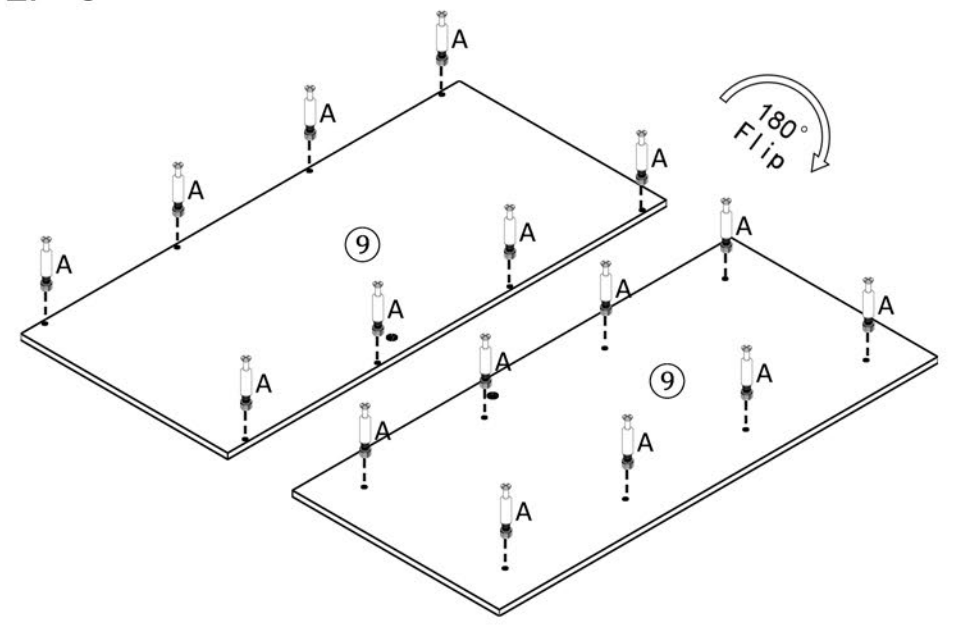
 A\*16

### STEP 2



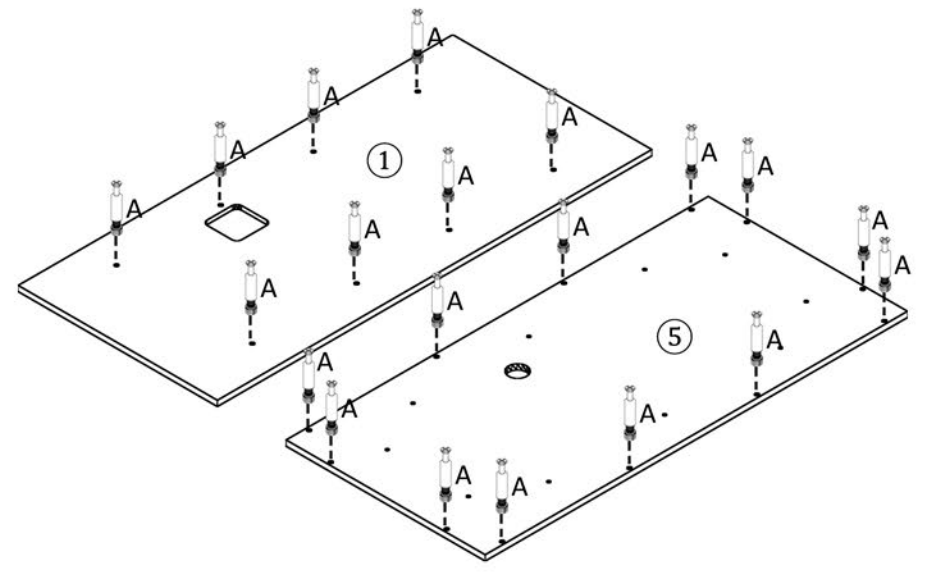
 A\*12

### STEP 3



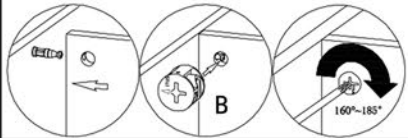
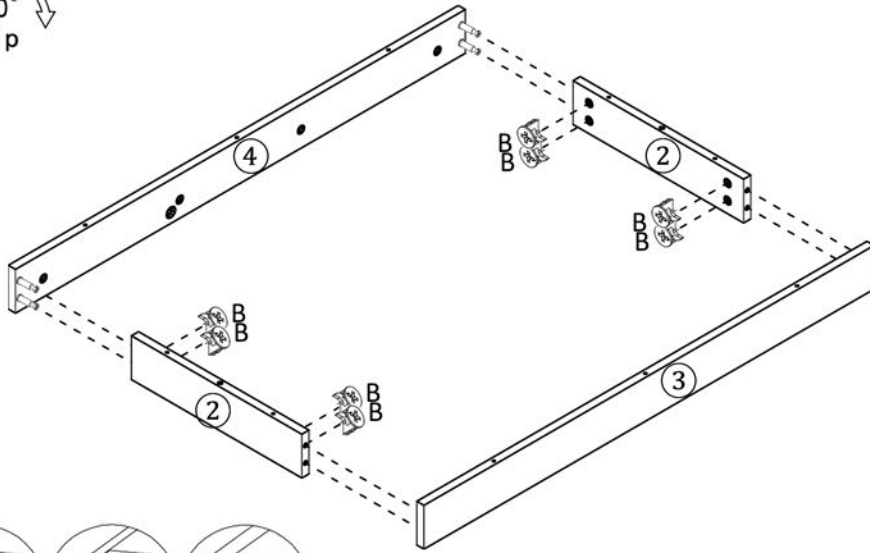
 A\*16

### STEP 4



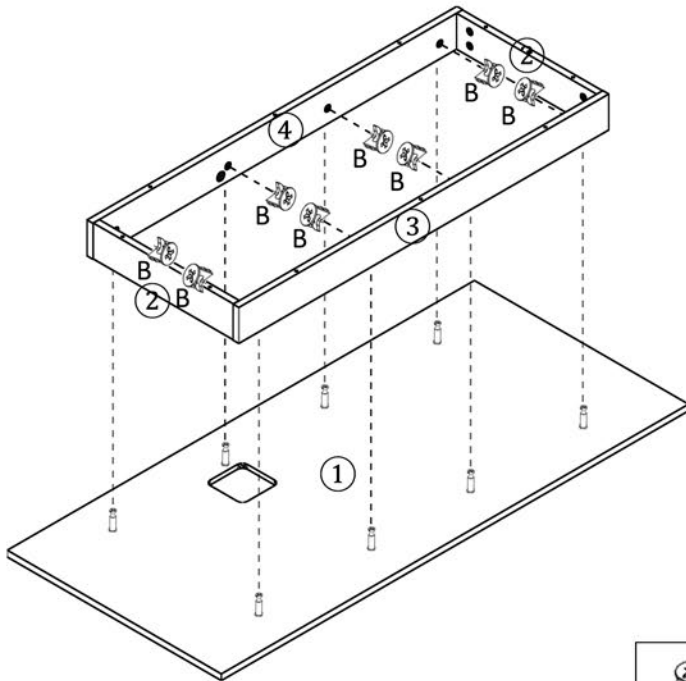
 A\*20

## STEP 5



 B\*8

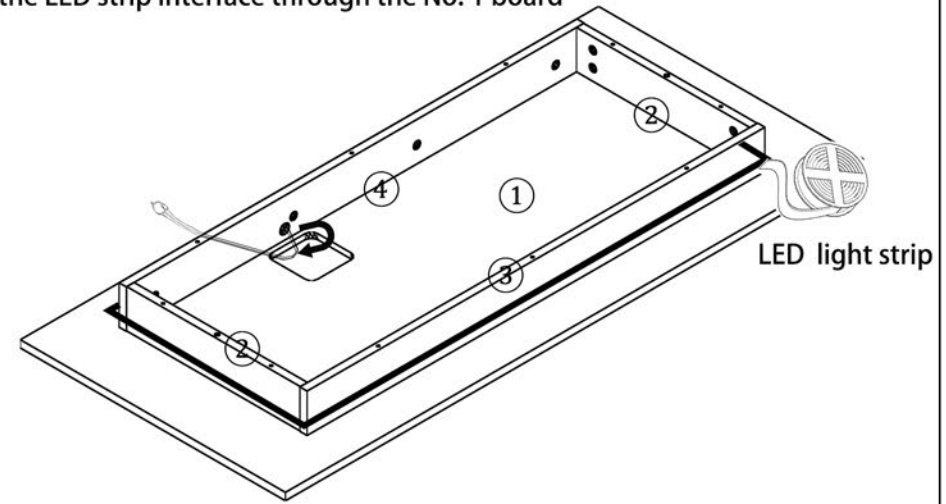
## STEP 6



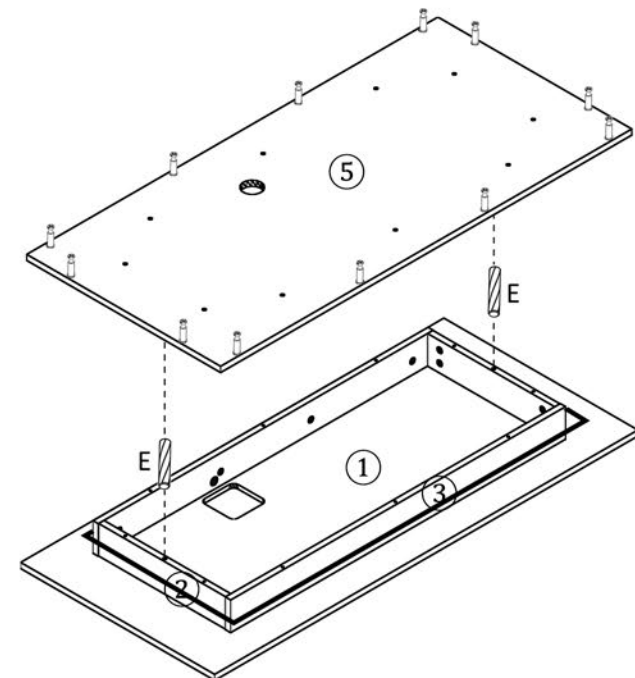
 B\*8

## STEP 7

1. Please paste the LED strip on the board in a circle
2. Pull the LED strip interface through the No. 1 board

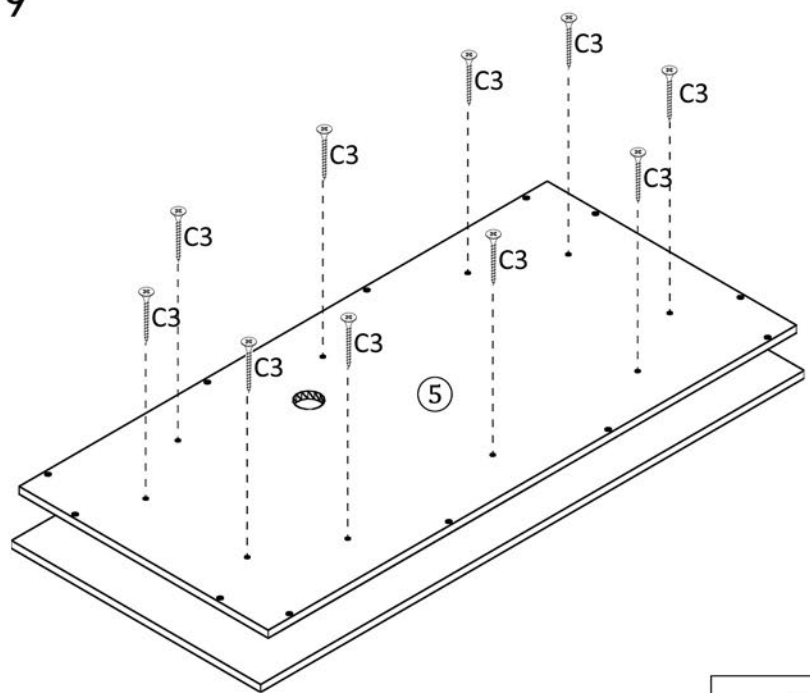


## STEP 8



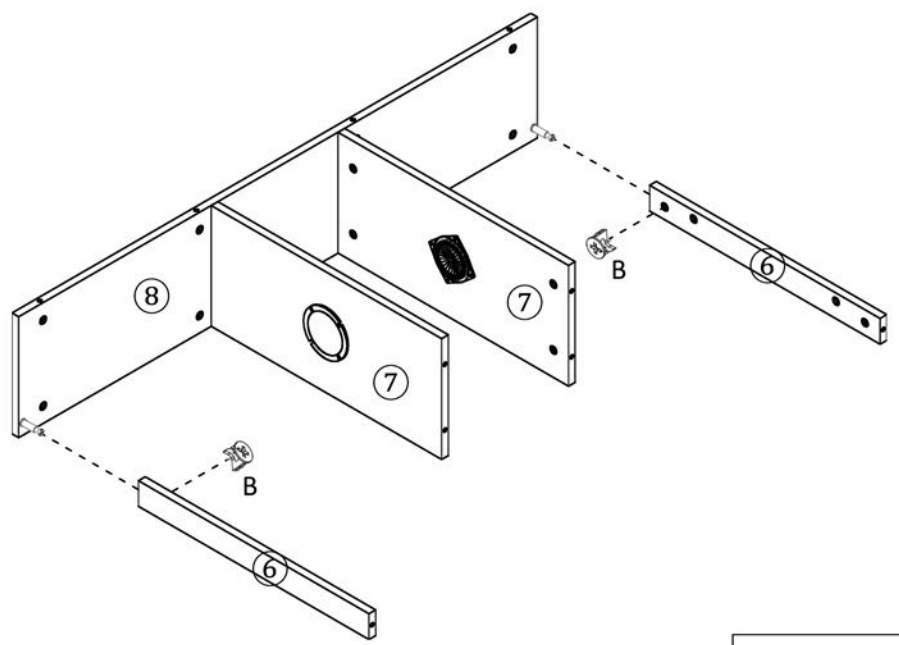
 E\*2

STEP 9



 C3\*10

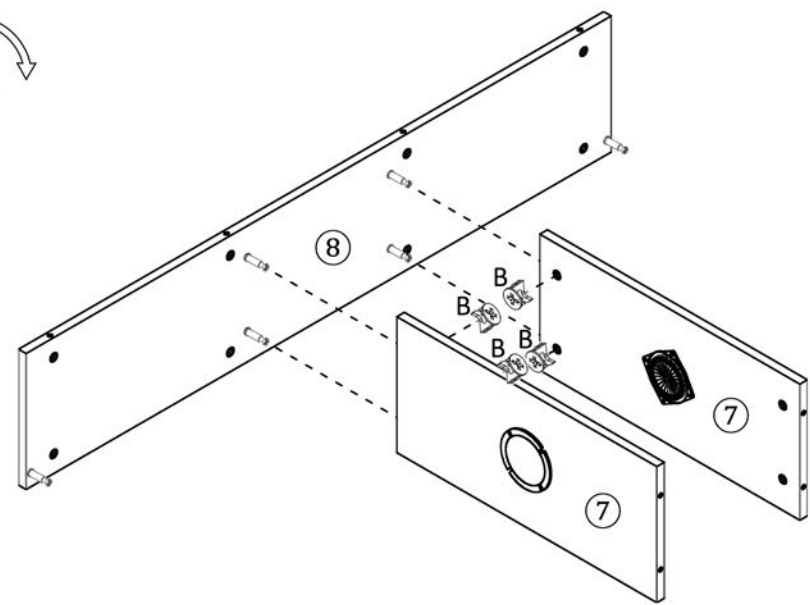
STEP 11



 B\*2

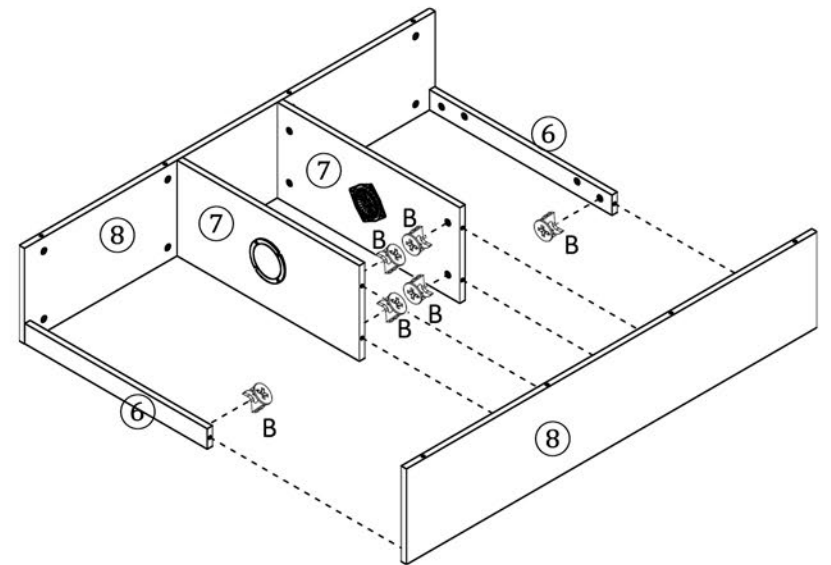
STEP 10


 180°  
Flip



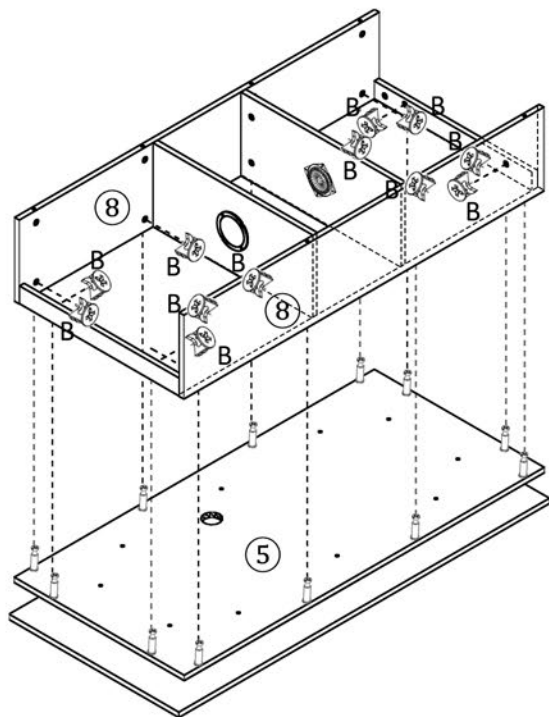
 B\*4


STEP 12



 B\*6

## STEP 13

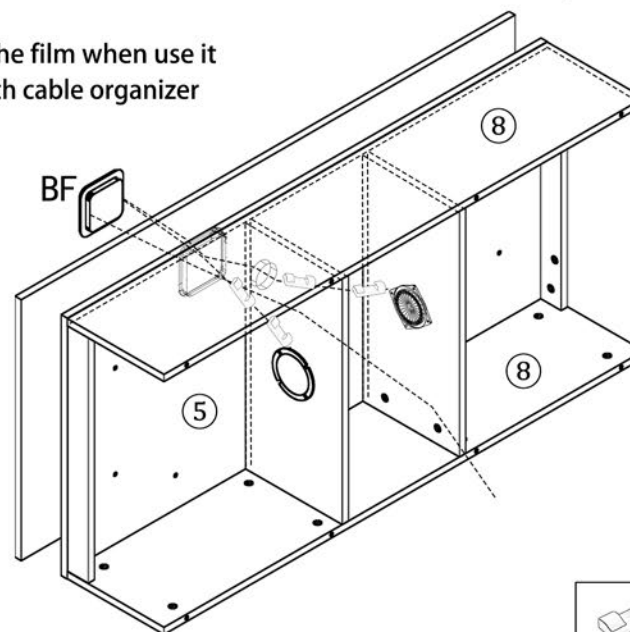


 B\*12

## STEP 15

Follow Step 14 to connect the horn cable to the lamp cable

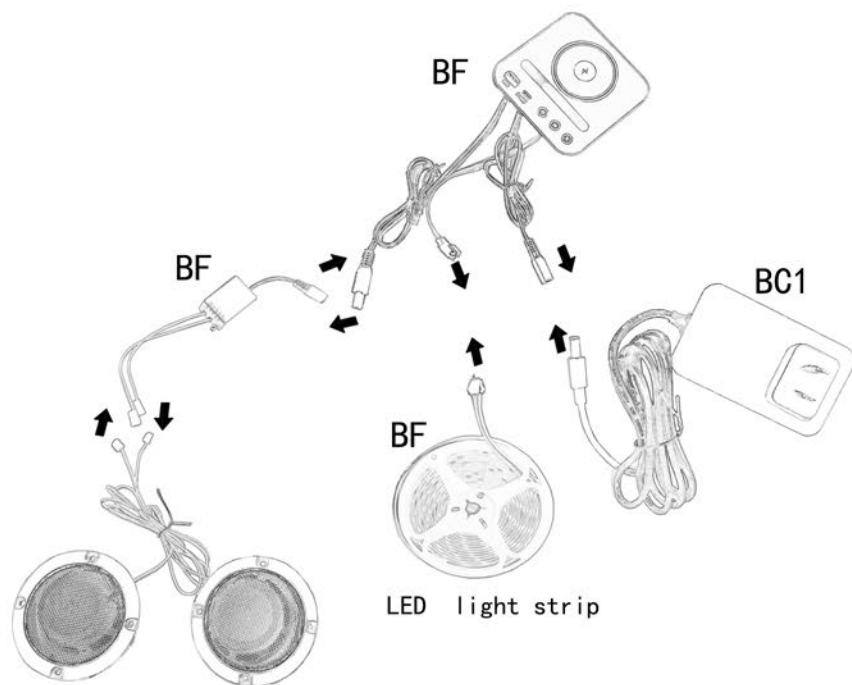
- ⚠ please peel off the film when use it
- Fix the cable with cable organizer



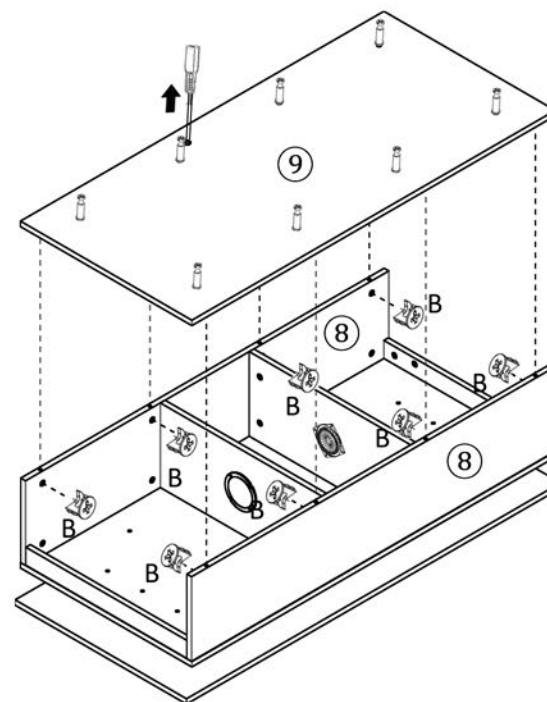
 AC\*8

## STEP 14

Installation diagram of electronic accessories



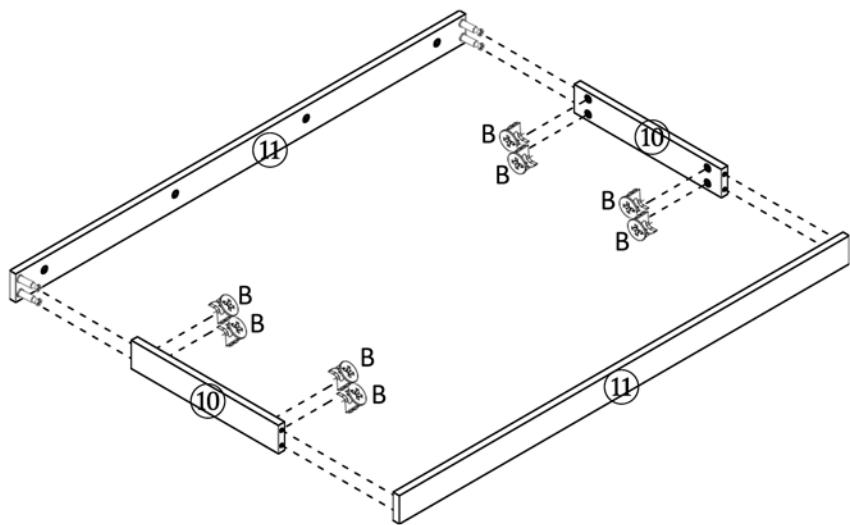
## STEP 16



Warm reminder: Pull out the power interface cable first

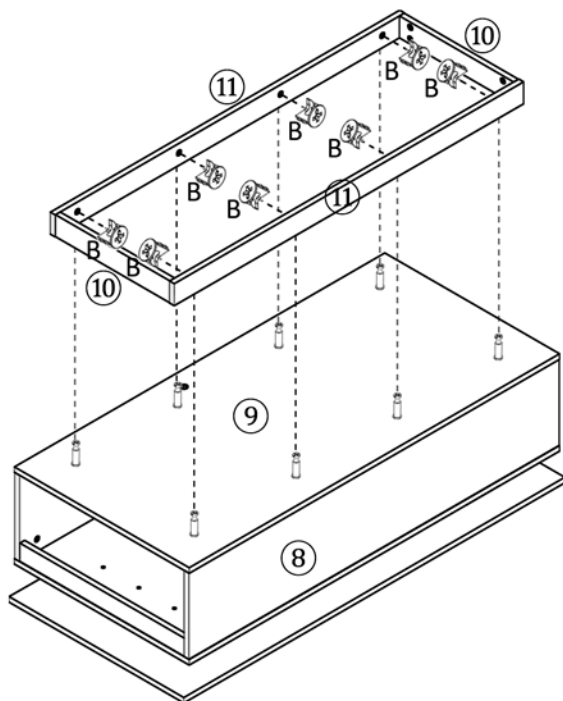
 B\*8

# STEP 17



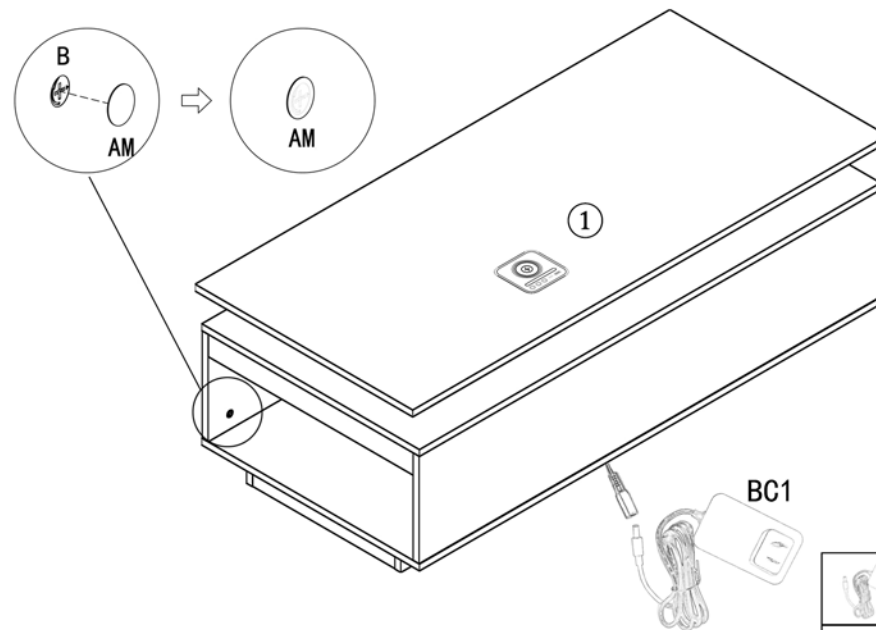
 B\*8

# STEP 18



 B\*8

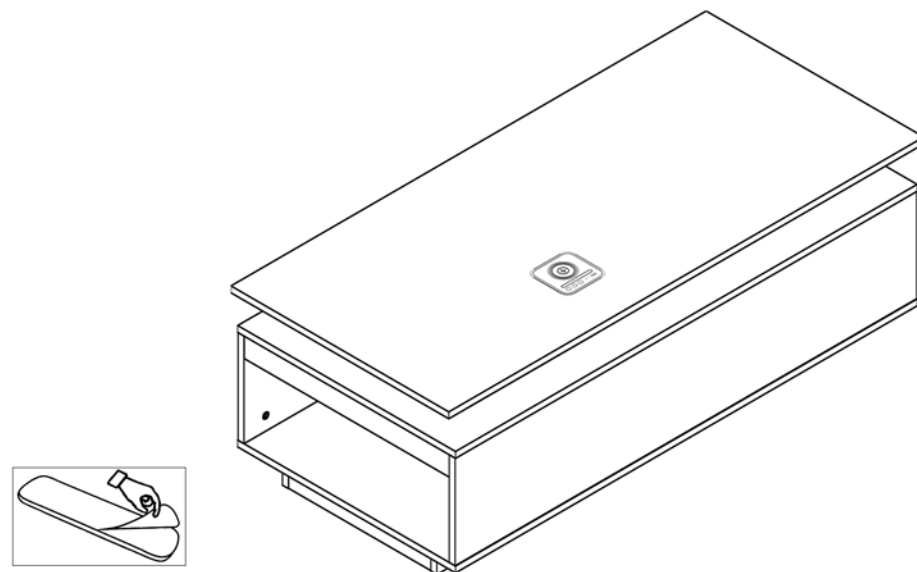
# STEP 19



 BC1\*1

 AM\*20  
Decorative paper

# STEP 20



For the high gloss panel,  
please peel off the plastic  
film after assembling

## Functional instructions



1. Power on ,Default is white color , then radar turn on.

2.TYPE- C and USB port , 5V 2A charging.

3. Wireless Charging : the highest charging power is 15W.

4.Radar button : Radar turn on when short press (the indication light on ), when turn off (the indication light off) . The sense distance is 0.5-2 meters ,different angles ,sense distance is different .  
Sense distance is affected by the human body movements.

5.Mode switch ,the color is: white , ice blue-red-green-blue-purple- 5 colors gradual change-5 colors saltus step

6 . No matter adjust which mode,the radar automatic turn off .  
When adjust the color you want ,it need turn on the radar again .

7. Light on/off button : Turn on light ( the indication light on) , turn off light (the indication light off). Turn on the light state, and the long press can adjust the light brightness of 10-100%

8.Product memory function: Each shutdown is which color, and then boot the last color when turn on again



9.slide on this color board: it could vary 24 colors

10.Speakers : After powered, there will be ring 3 drops sound , it shows that power connection successfully. Then could use mobile phone connect blue tooth.(LED Worklight with bluetooth)