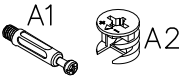
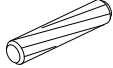




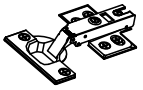
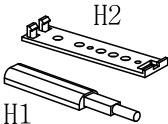
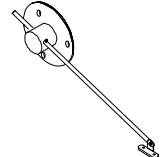
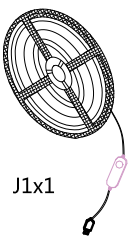
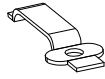

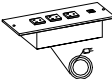

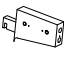



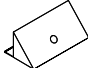

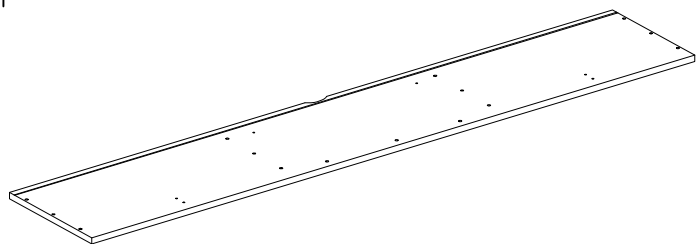


<p>A</p>  <p>A1 A2</p> <p>18pcs</p>	<p>B</p>  <p><math>\varnothing 8 \times 30 \text{mm}</math></p> <p>9pcs</p>	<p>C</p>  <p><math>\varnothing 3.5 \times 14 \text{mm}</math></p> <p>50pcs</p>	<p>D</p>  <p><math>\varnothing 3.5 \times 40 \text{mm}</math></p> <p>8pcs</p>	<p>E</p>  <p><math>\varnothing 3.5 \times 30 \text{mm}</math></p> <p>8pcs</p>	<p>F</p>  <p>8*40mm</p> <p>8pcs</p>	<p>G</p>  <p>4pcs</p>	<p>H</p>  <p>H1 H2</p> <p>2pcs</p>
<p>I</p>  <p>2pcs</p>	<p>J</p>  <p>J1x1</p>  <p>J2x2</p>  <p>J3x2</p> <p>1pc</p>	<p>K</p>  <p>K1*1</p>  <p>K2*2</p> <p>1pc</p>	<p>L</p>  <p>L1*4</p>  <p>L2*4</p>  <p>L3*2</p>  <p>L4*2</p> <p>1pc</p>	<p>M</p>  <p>12pcs</p>	<p>N</p>  <p>18pcs</p>		

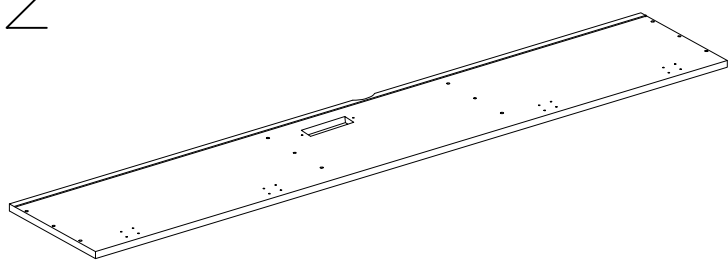
1



1760\*300\*15mm

1pc

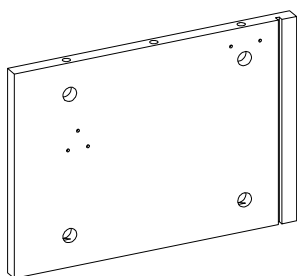
2



1760\*282\*15mm

1pc

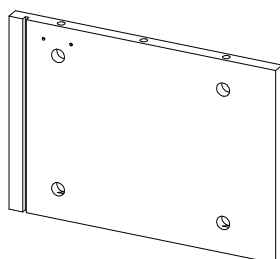
3



203\*280\*15mm

1pc

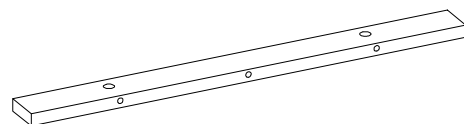
4



203\*280\*15mm

1pc

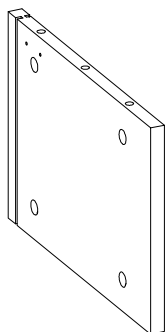
5



648\*55\*15mm

1pc

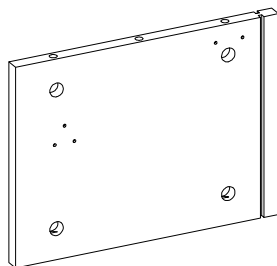
6



203\*280\*15mm

1pc

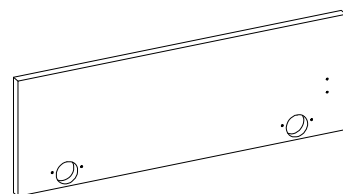
7



203\*280\*15mm

1pc

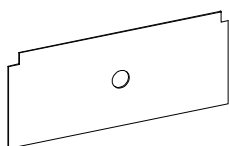
8



552.5\*214\*15mm

2pcs

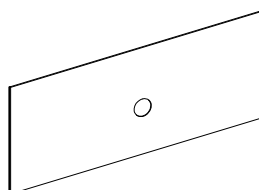
9



532.5\*213\*3mm

2pcs

10



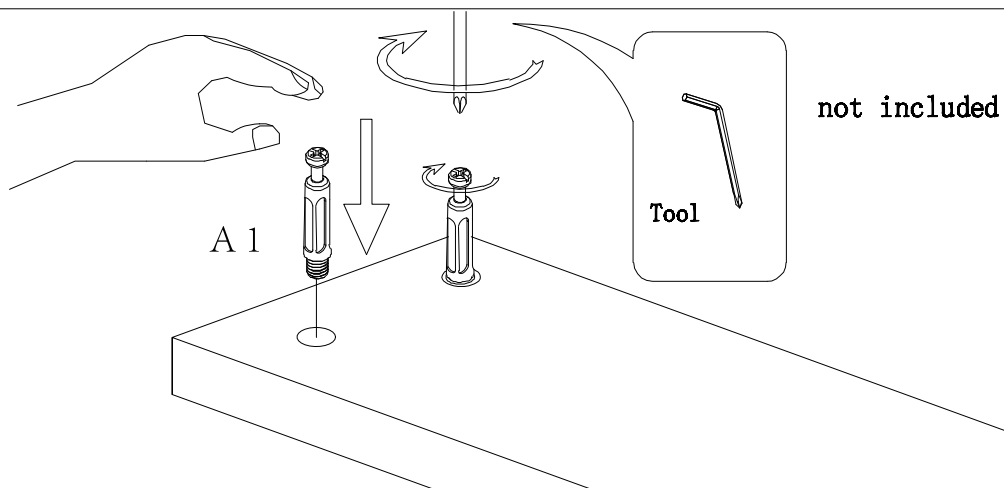
659\*213\*3mm

1pc

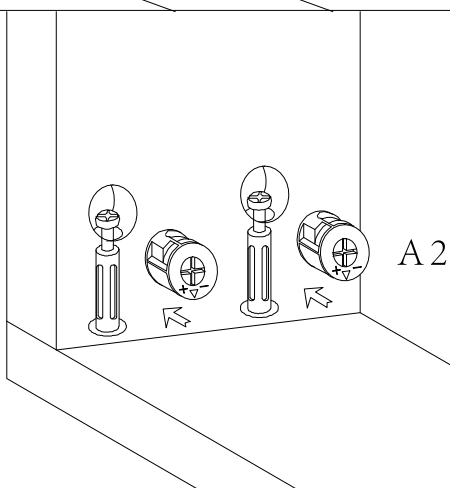
# Hardware installation demonstration

NOTE: Please make sure  
"A1" hardware tightened  
and can't be pulled out!

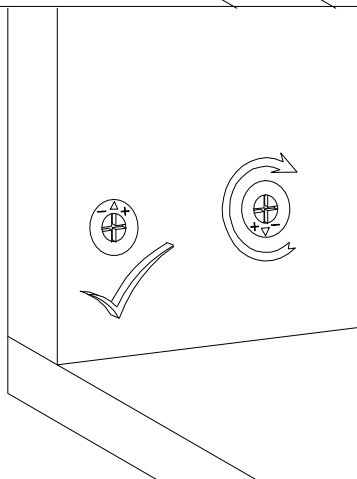
I



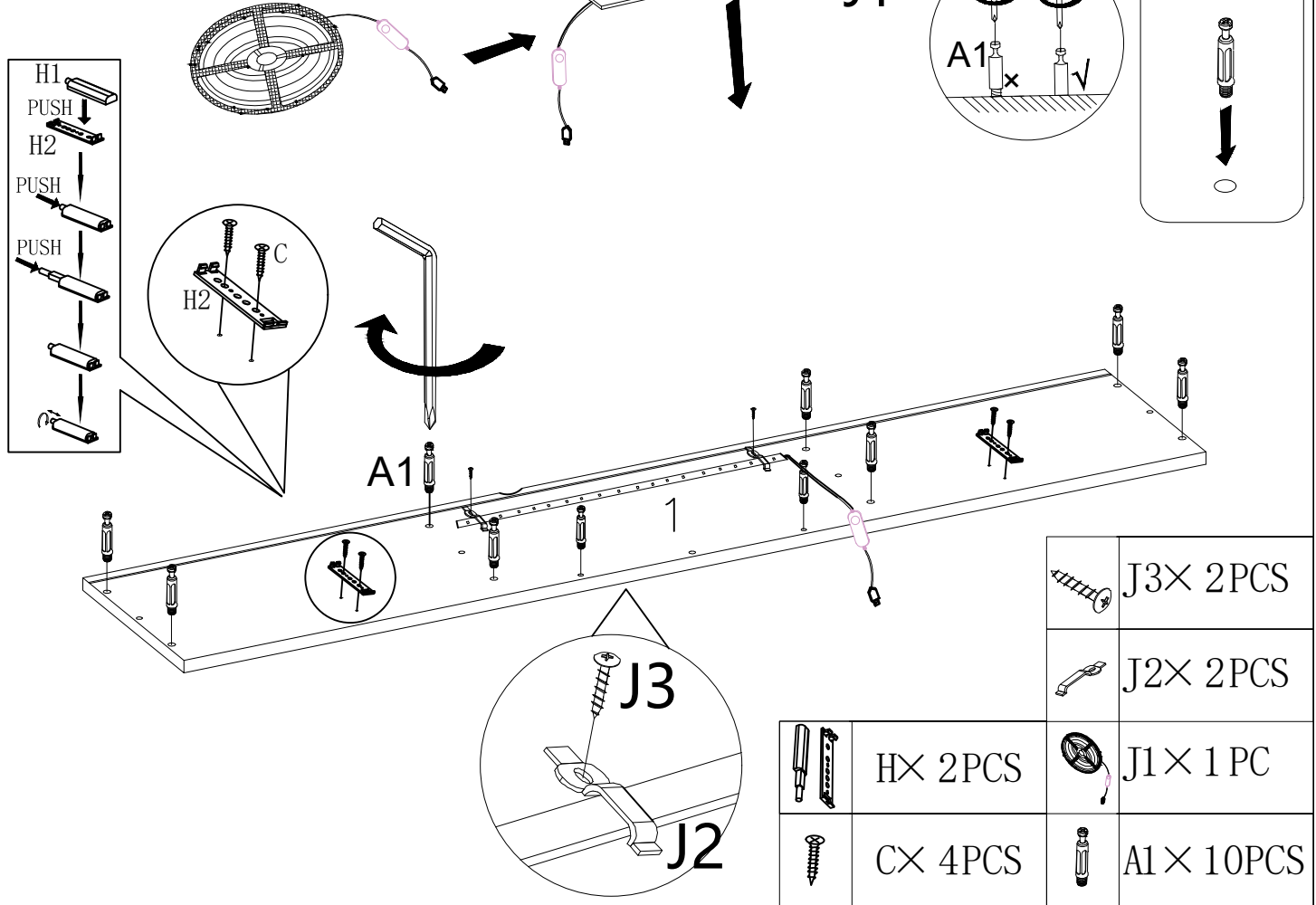
II



III



# STEP 1



H1  
PUSH  
H2  
PUSH  
PUSH  
PUSH

J1

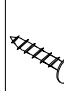
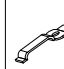
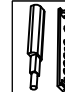

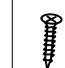

A1

H2

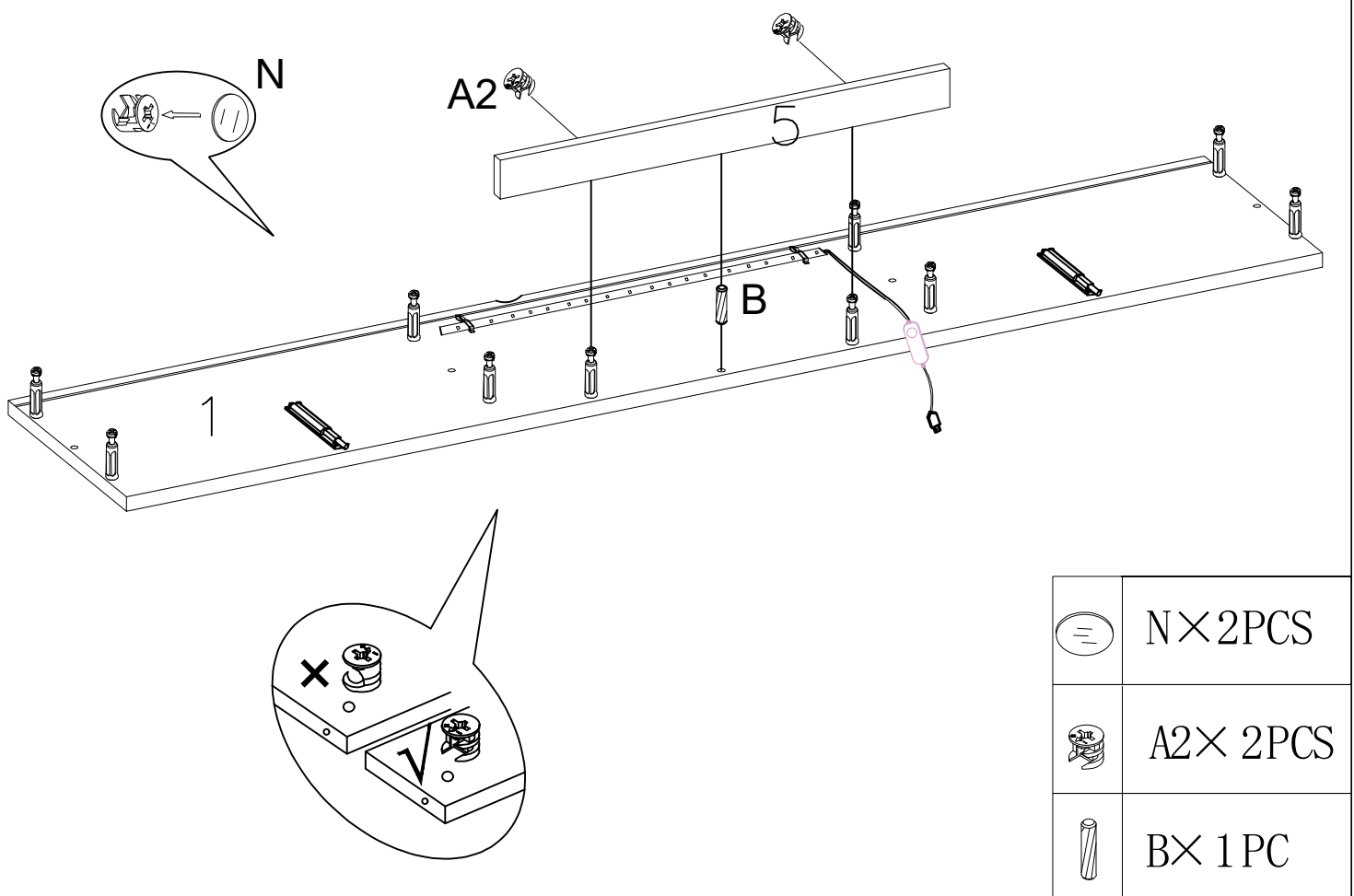
C

J3

J2

	J3 × 2PCS
	J2 × 2PCS
	H × 2PCS
	J1 × 1 PC
	C × 4PCS
	A1 × 10PCS

# STEP 2



N

A2



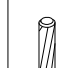
5

B

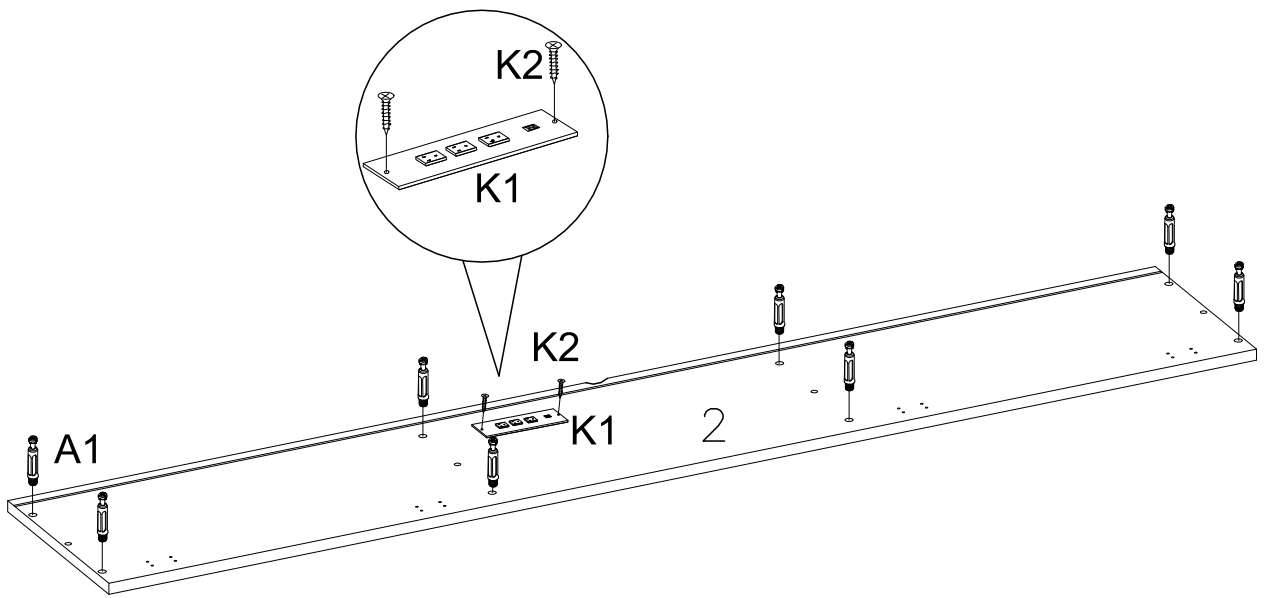
1




X

✓

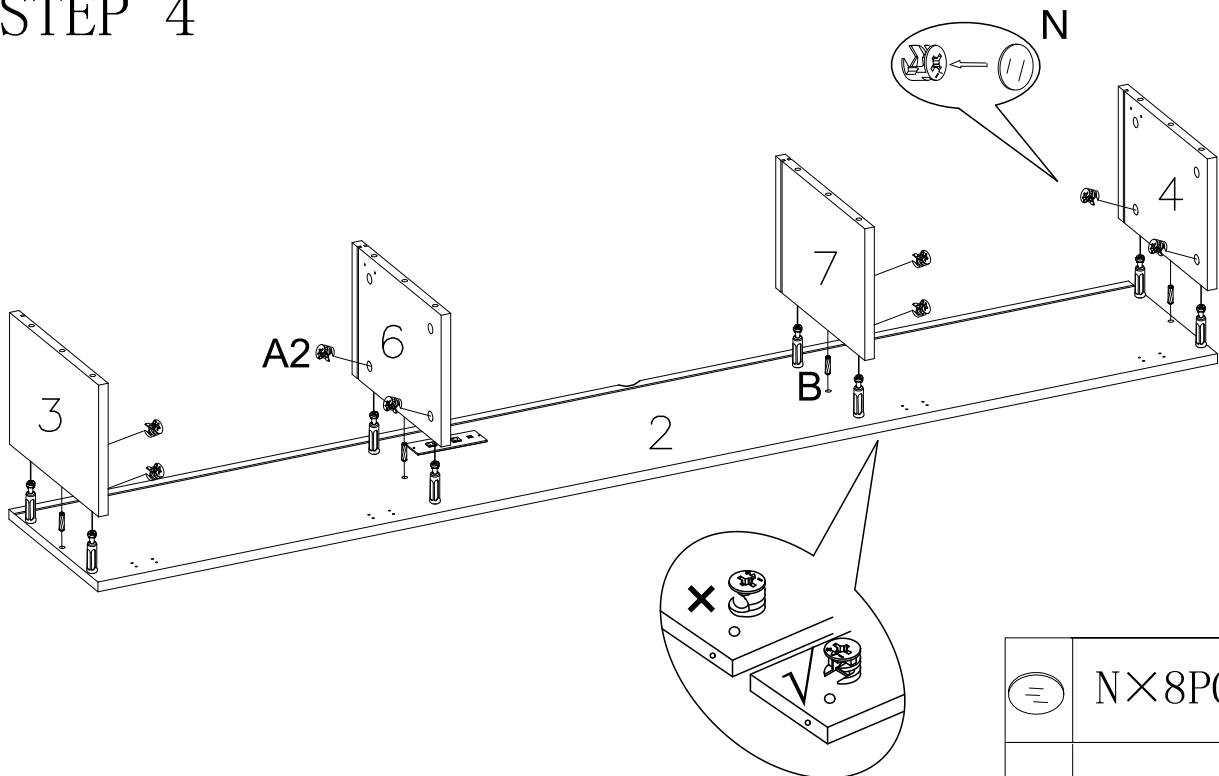
	N × 2PCS
	A2 × 2PCS
	B × 1 PC




# STEP 3



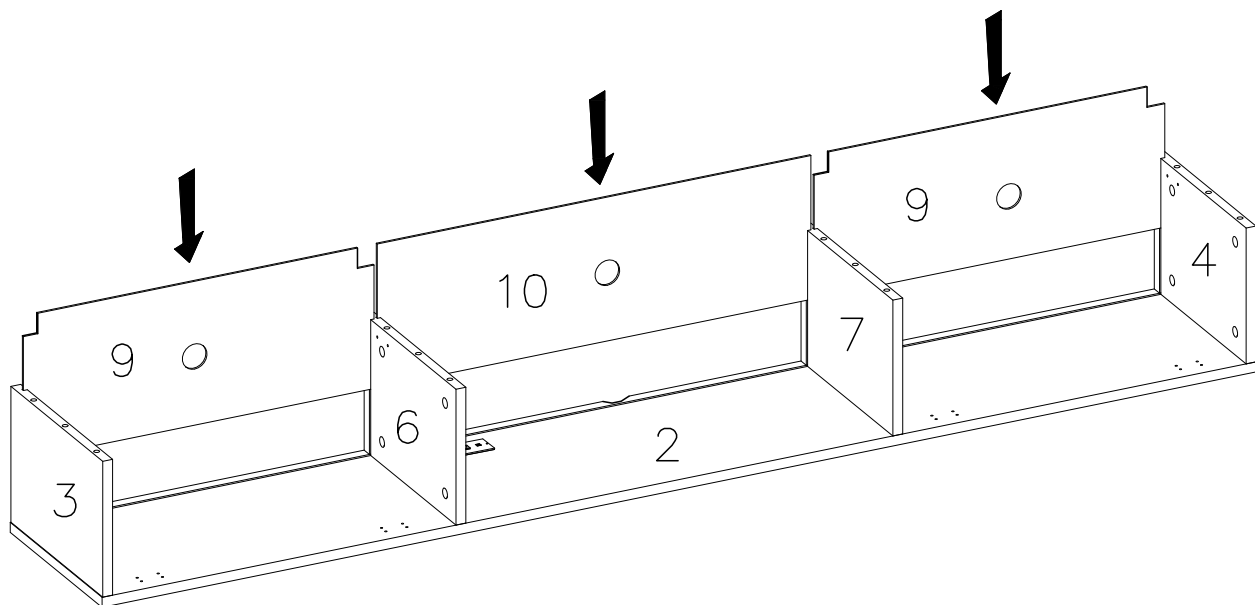
		K1 × 1 PC
	K2 × 2 PCS	
		A1 × 8 PCS

# STEP 4



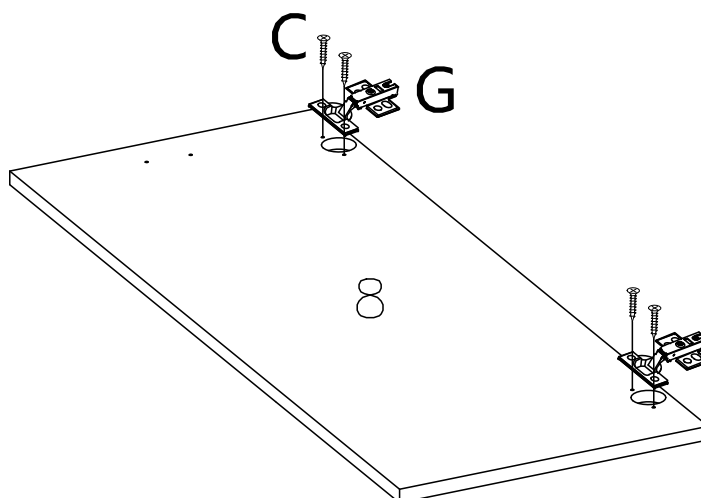
	N × 8 PCS
	A2 × 8 PCS
	B × 4 PCS



# STEP 5



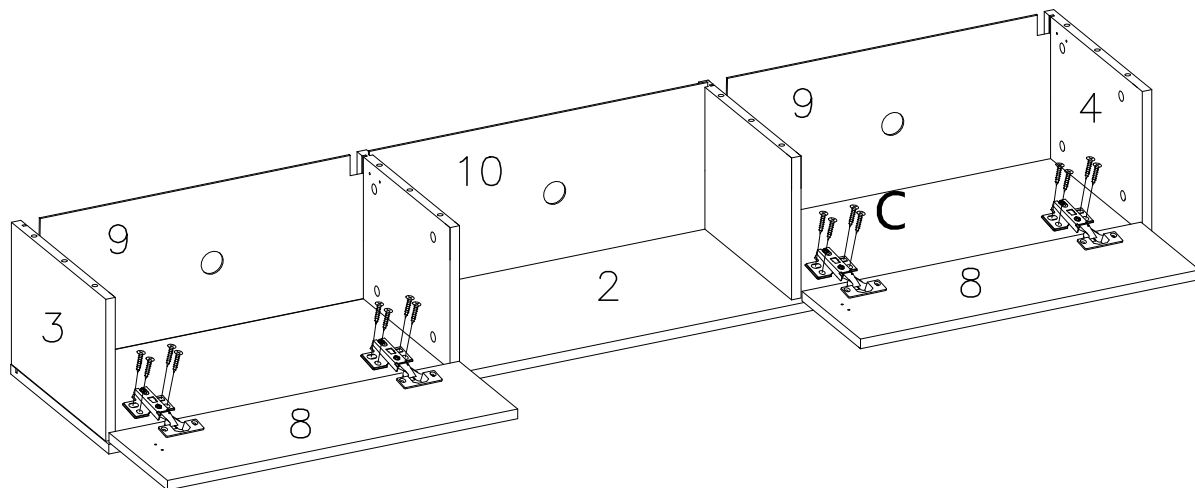
# STEP 6


X2



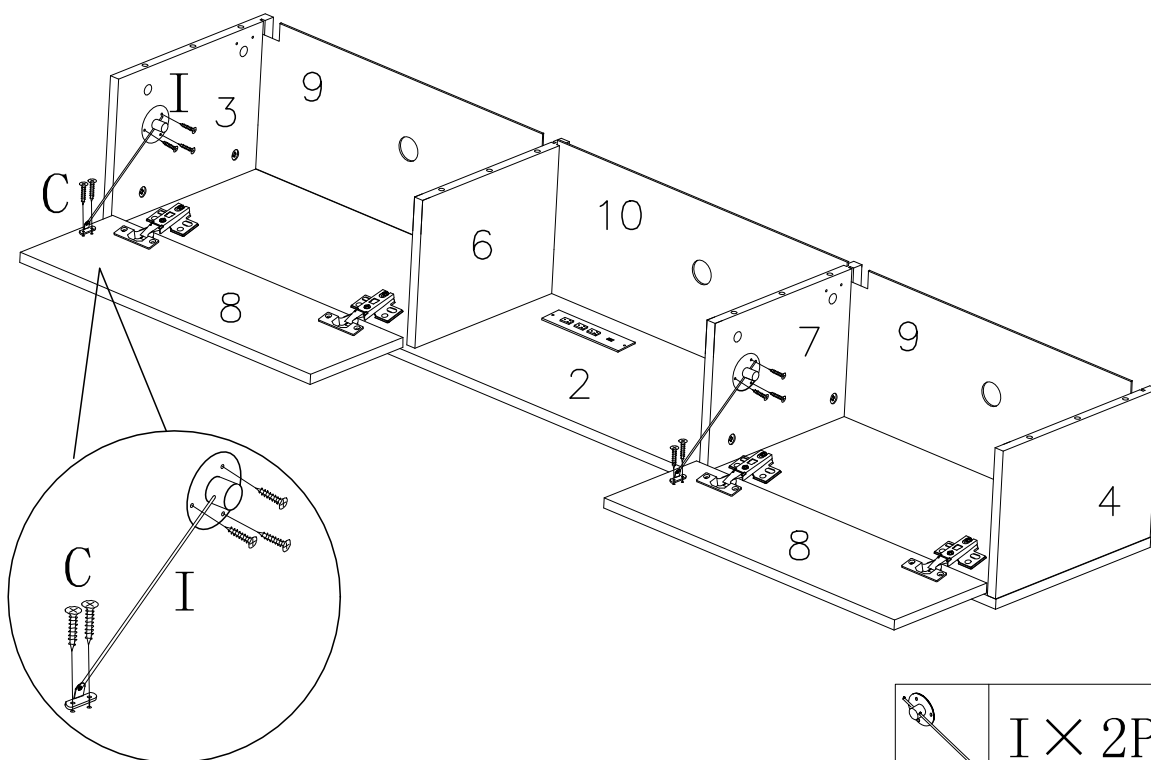
	C × 8PCS
	G × 4PCS



# STEP 7



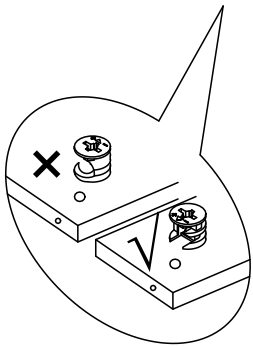
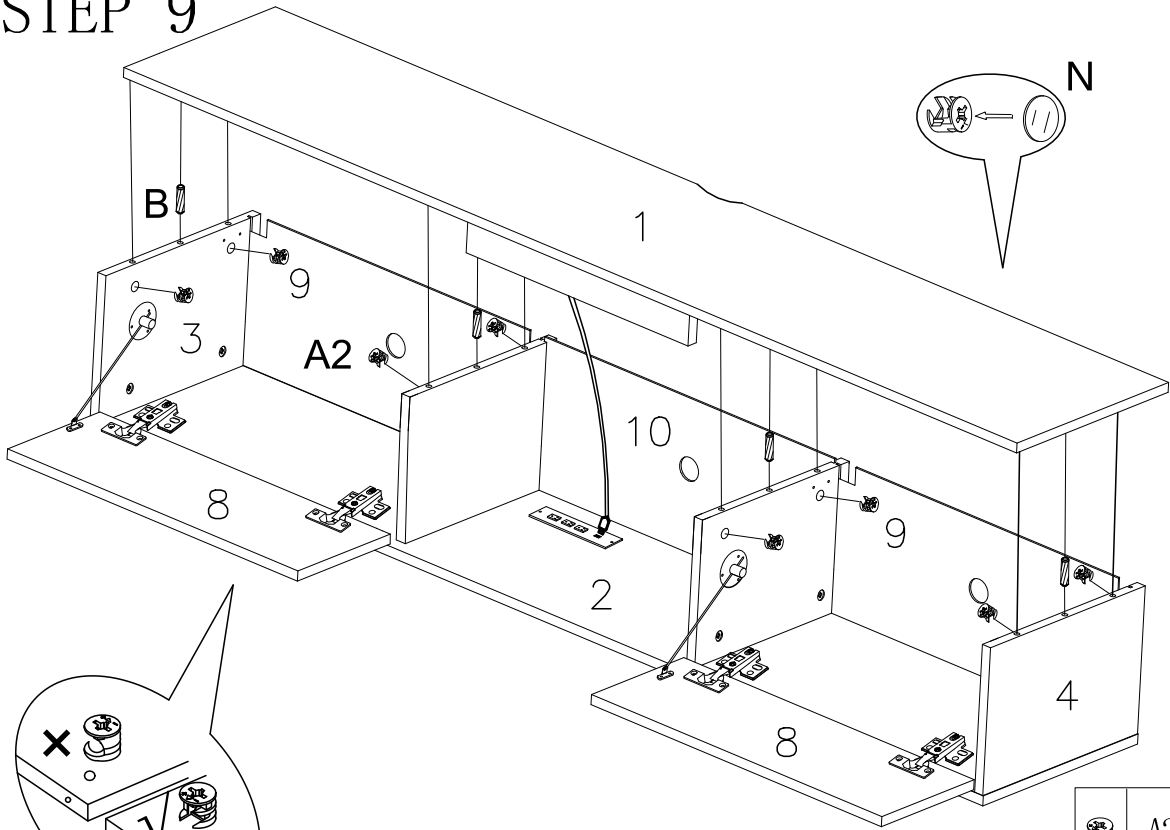
	C × 16PCS
---	-----------

# STEP 8



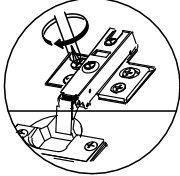
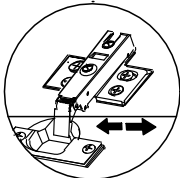
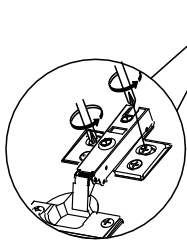
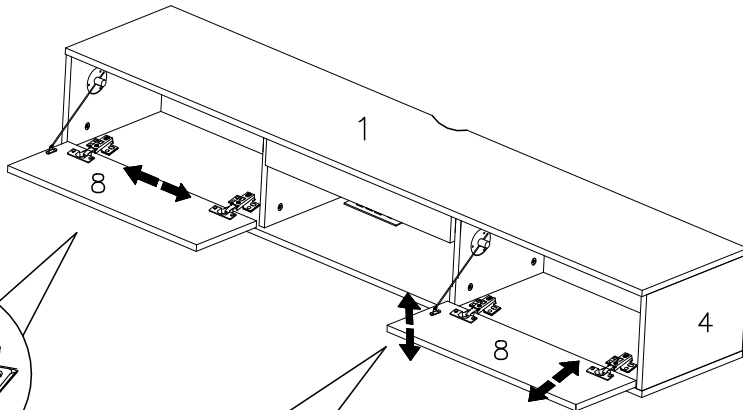
	I × 2PCS
	C × 10PCS

# STEP 9

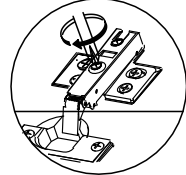
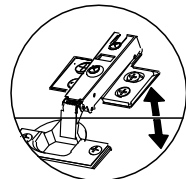
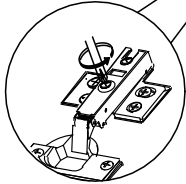


	A2 × 8PCS
	N × 8PCS
	B × 4PCS

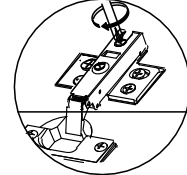
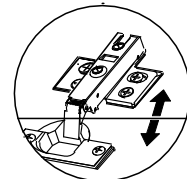
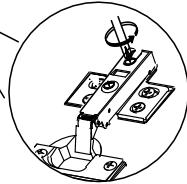
# STEP 10



Cabinet door left and right fine adjustment

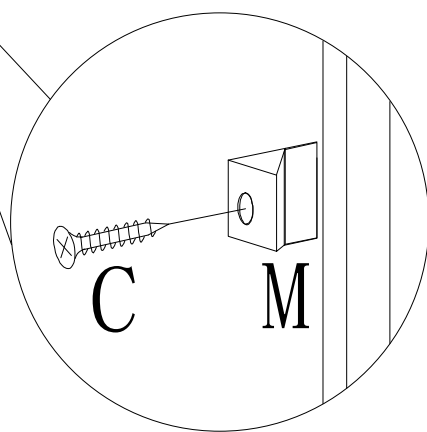
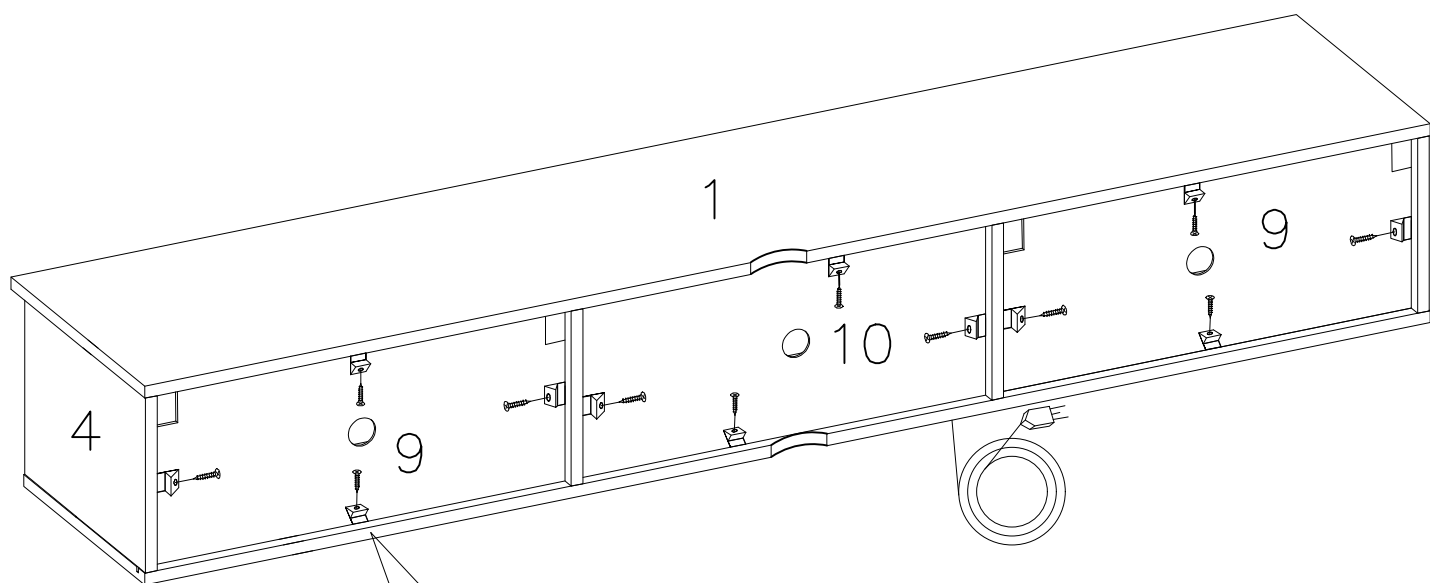


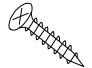
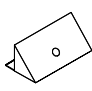
Cabinet door up and down fine adjustment



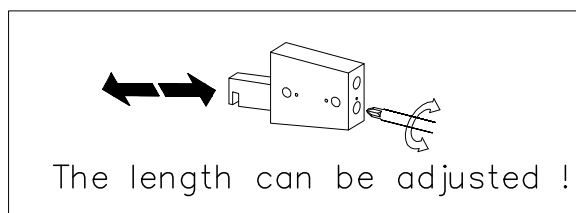
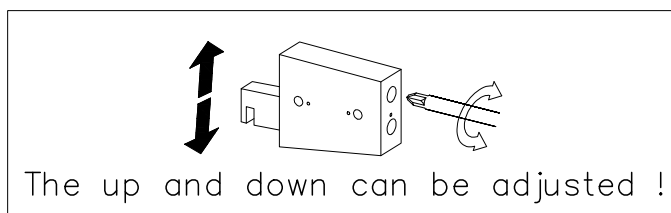
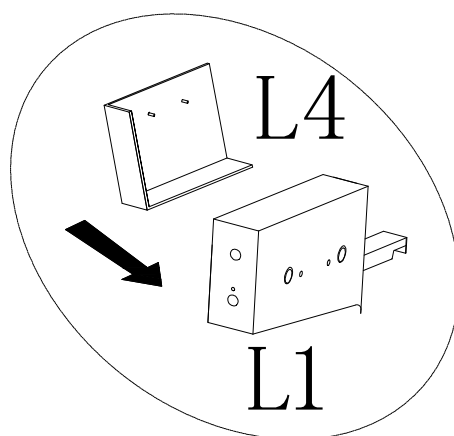
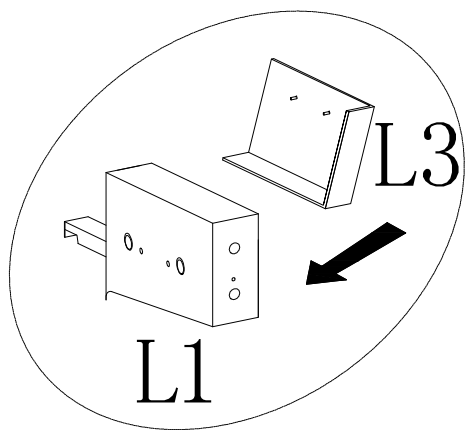
Fine-tune the gap after the cabinet door is closed

# STEP 11

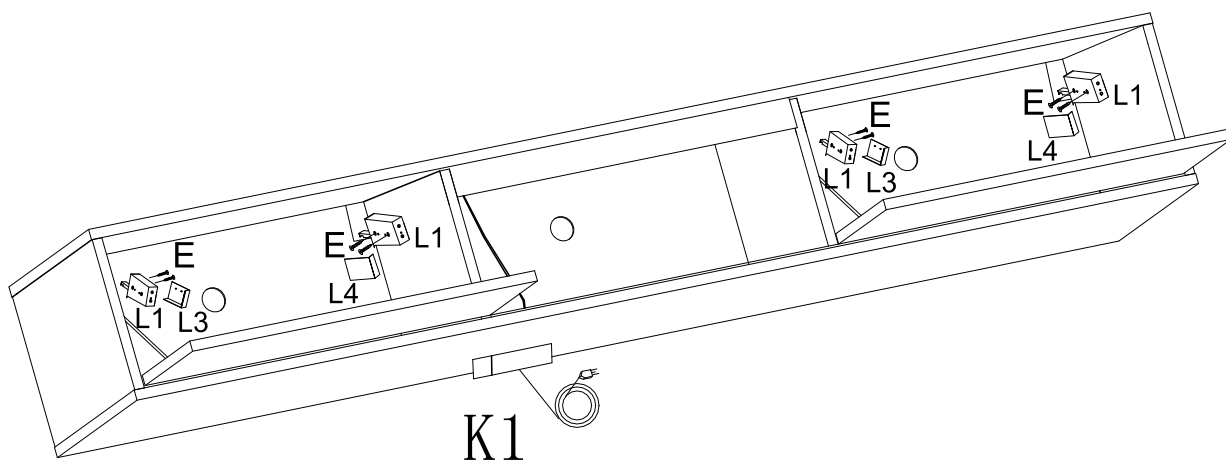




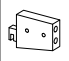

	C × 12PCS
	M × 12PCS

# STEP 12



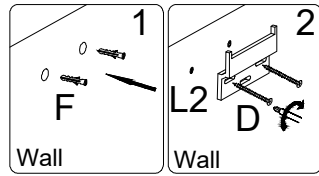
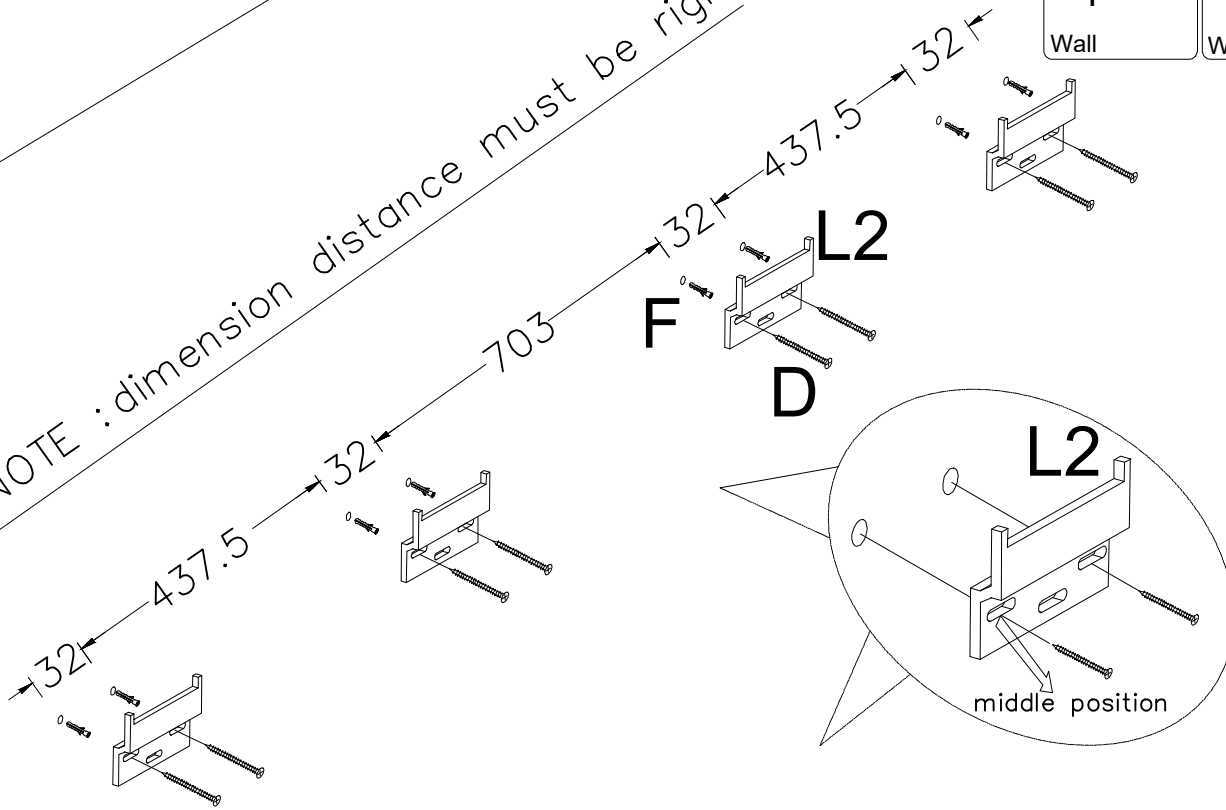
# STEP 13



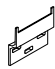


	E × 8PCS		L3 × 2PCS
	L1 × 4PCS		L4 × 2PCS

# STEP 14

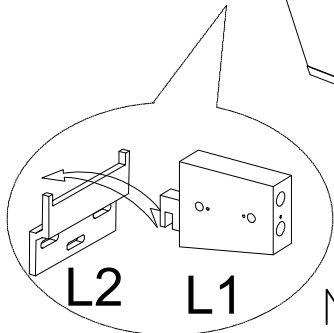
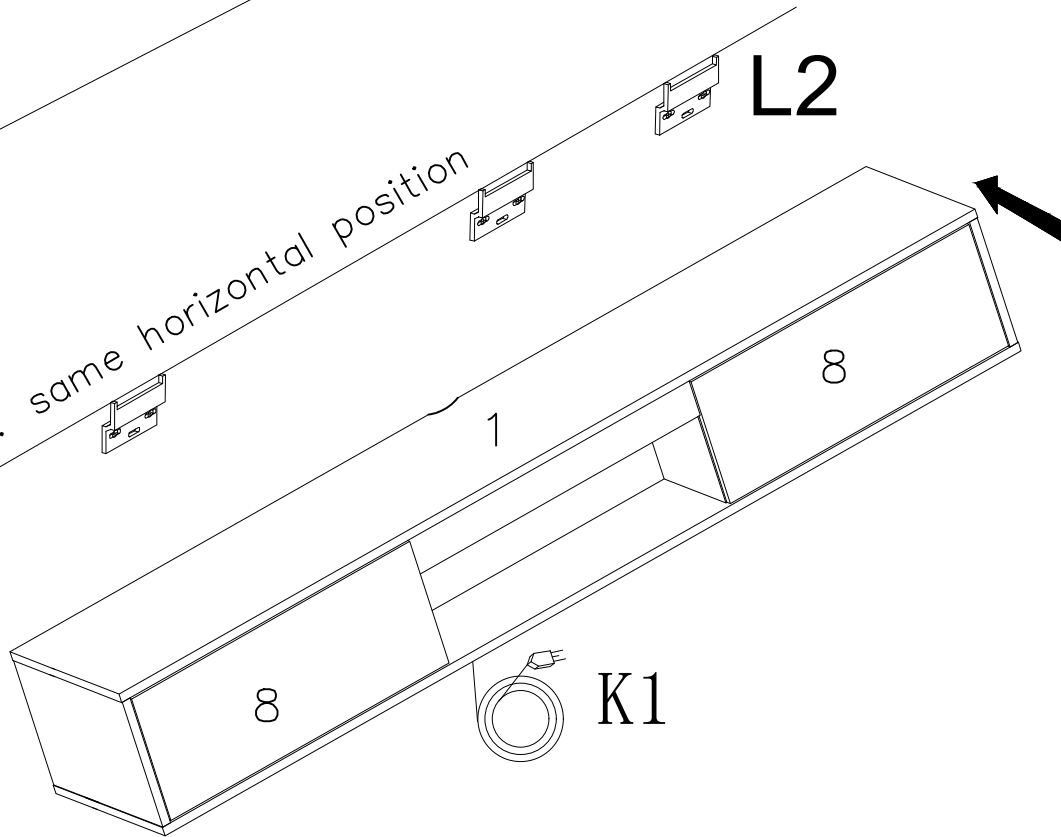
NOTE : dimension distance must be right !



	<b>DX 8PCS</b>		<b>FX 8PCS</b>		<b>L2 X 4PCS</b>
---	----------------	---	----------------	---	------------------

# STEP 15

NOTE : same horizontal position



NOTE : install the cabinet on the L2 !