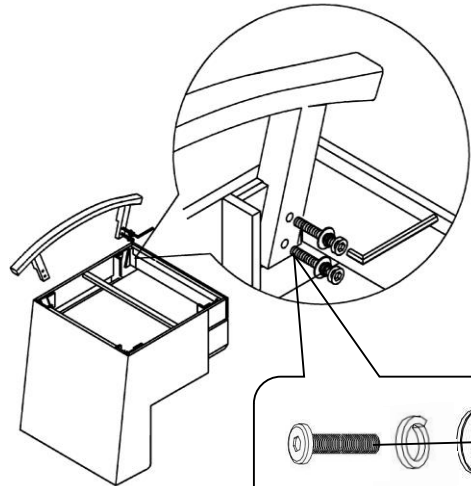


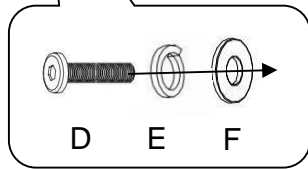
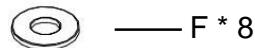
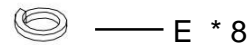
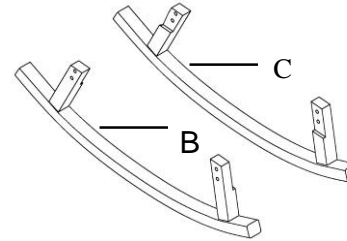
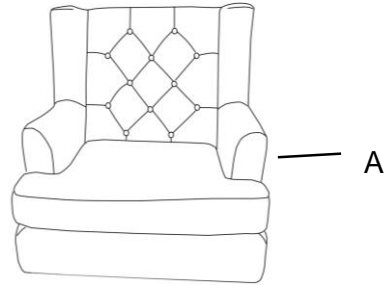
Assembly Picture

Assembly Instruction

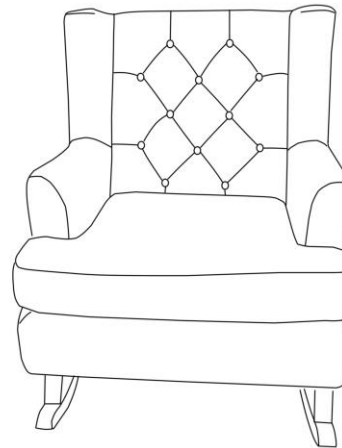
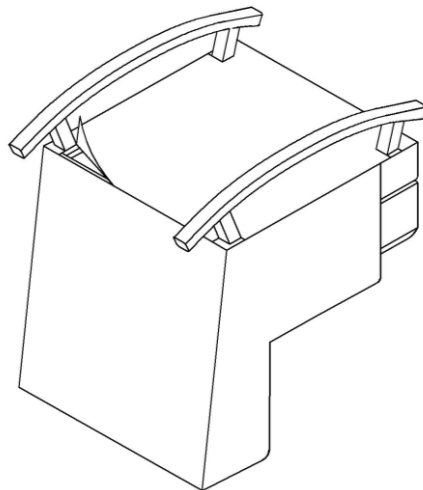
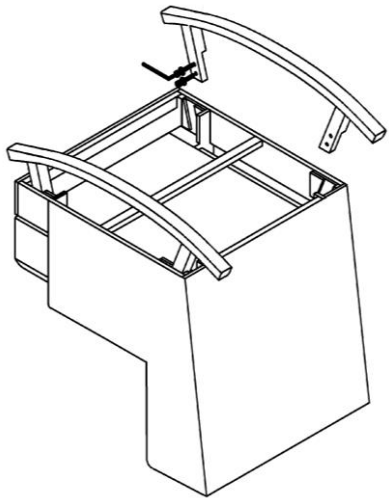
STEP 1



Parts



STEP 2



Carefully unpack all parts before attempting to assemble.

STEP ONE Open the small box and take the parts pack out .

STEP TWO Open the Velcro from the bottom of chair's basic, Attach the legs into the seat holes, by inserting the bolts into the leg holes, then tighten with the Allen key.

STEP THREE Put the black non-woven fabric onto the bottom of the chair and close the Velcro.

Parts List

A - Chair basic	1
B - Wood feet - Left	1
C - Wood feet - Right	1
D - Bolt M8*1.25/6.5cm	8
E - Lock washer	8
F - Flat washer	8
G - Allen key	1
H - parts pack With two pairs of white gloves and blue plastic shoe's cover.	1