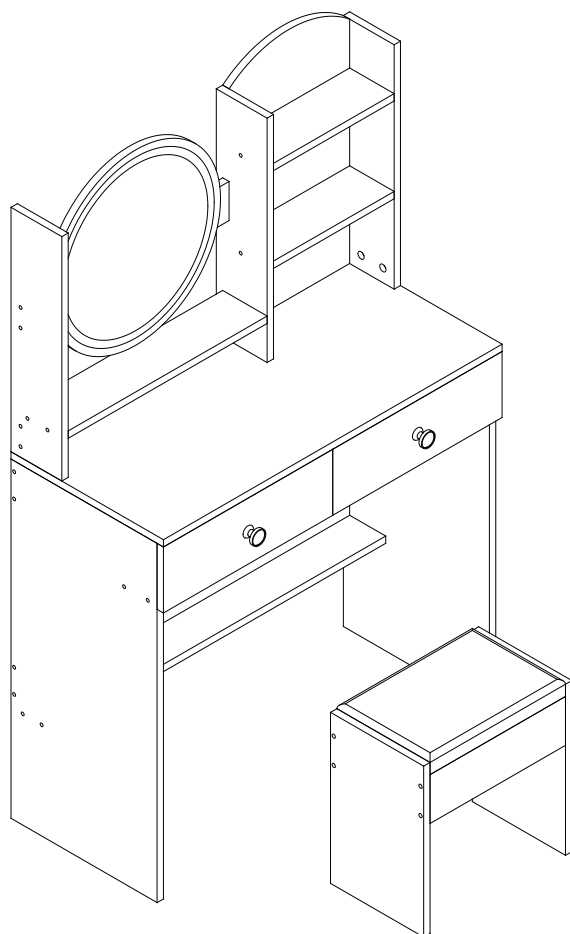
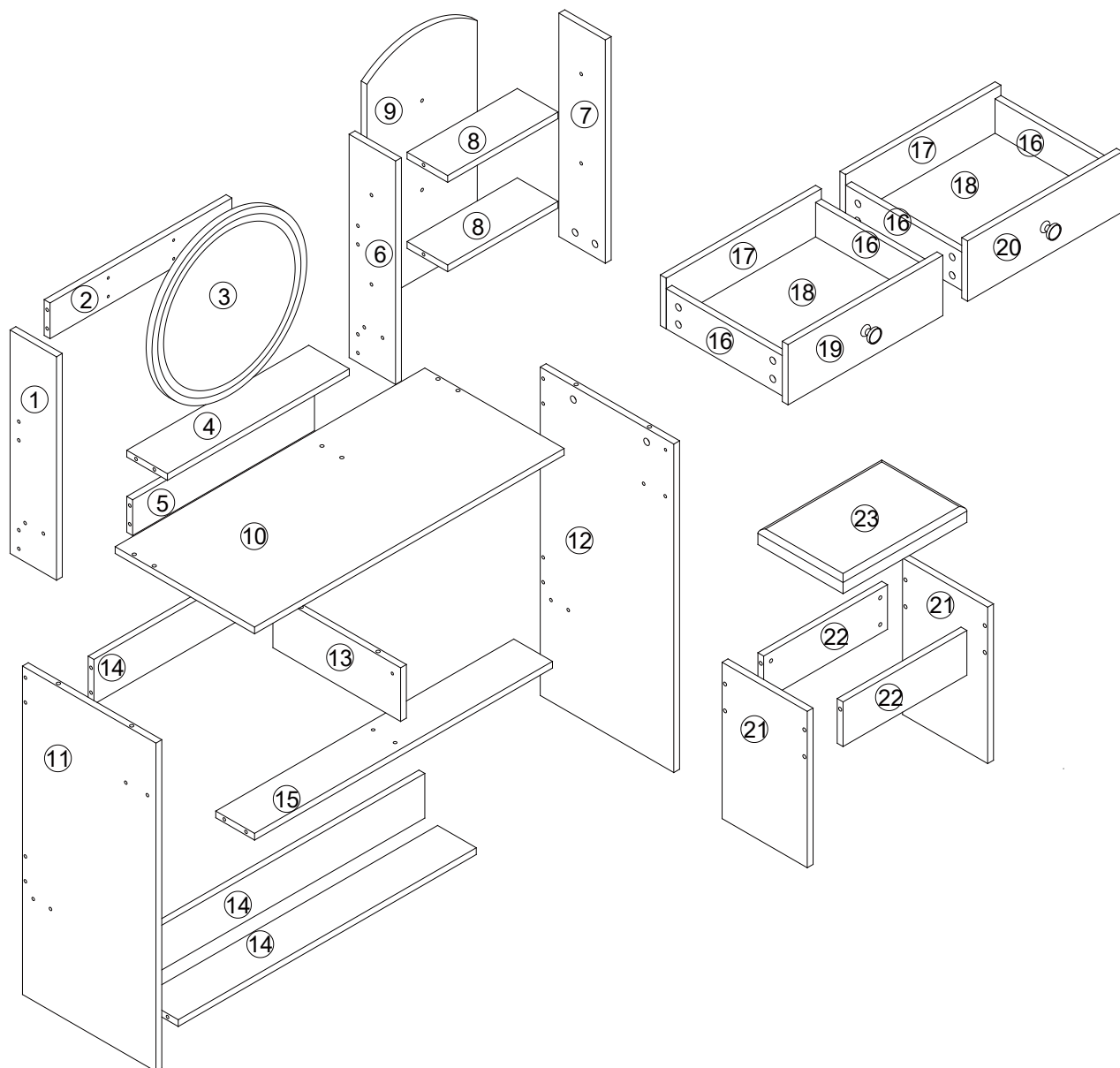


CRAZY ELF DRESSING TABLE SVV

INSTALLATION MANUAL



**Thank you for purchasing the goods in our store this time
Please read this manual carefully before using it
Please keep this manual properly**



1 - x1	8 - x2	15 - x1	22 - x2
2 - x1	9 - x1	16 - x4	23 - x1
3 - x1	10 - x1	17 - x2	
4 - x1	11 - x1	18 - x2	
5 - x1	12 - x1	19 - x1	
6 - x1	13 - x1	20 - x1	
7 - x1	14 - x3	21 - x2	

HARDWARE



A	SCREW & METAL LOCK	x28
---	--------------------	-----



B	SCREW & METAL LOCK	x28
---	--------------------	-----



C	SCREW	x8
---	-------	----



D	HANDLE	x2
---	--------	----



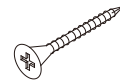
E	SCREW	x2
---	-------	----



F	L PLATE	x2
---	---------	----



H	SCREW	x4
---	-------	----



J	SCREW	x44
---	-------	-----



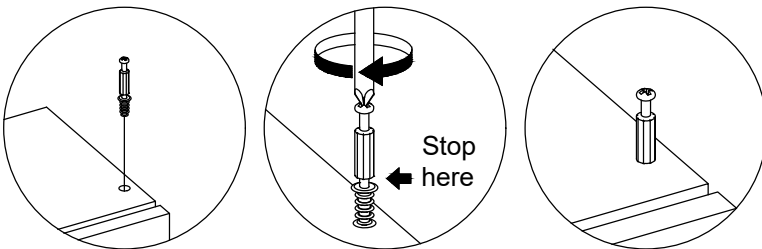
K	PLASTIC LOCK	x44
---	--------------	-----



L	SCREW	x4
---	-------	----

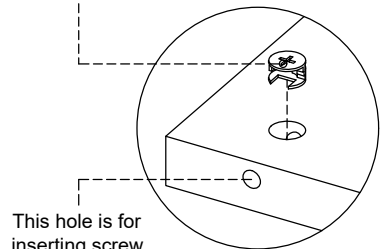
1. Screw installation method

When the screw is installed, please keep it in line with the board, and do not tighten it too tightly

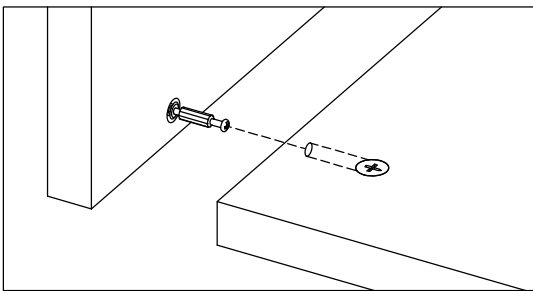


2. Check the Nut direction

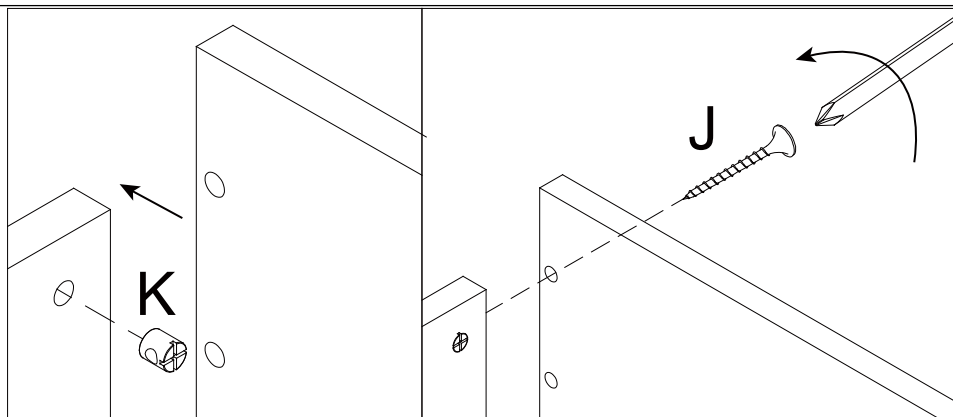
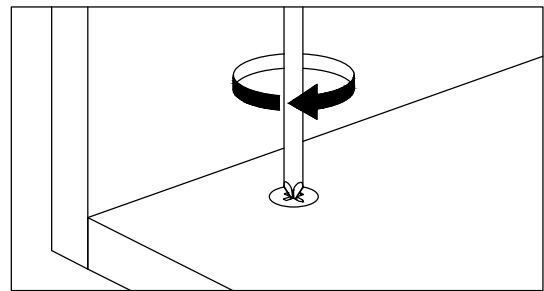
This direction of the marked nut is consistent with the direction in which the screw is inserted



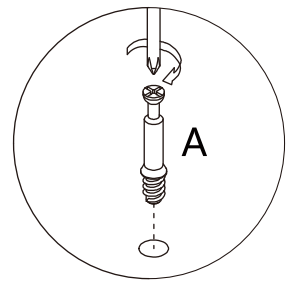
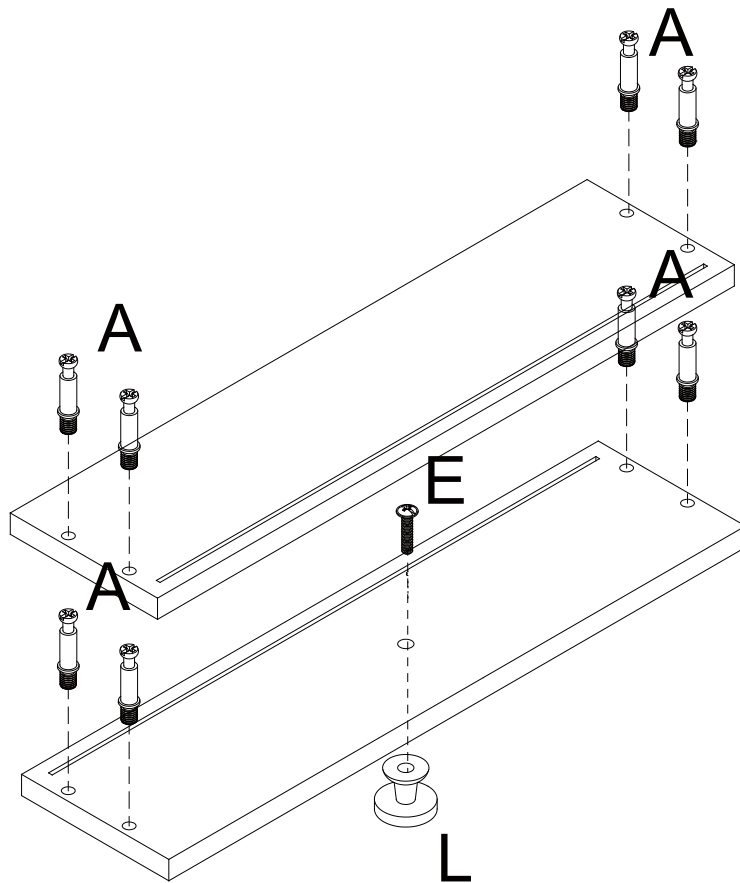
3. Installation on the board with fixing screws



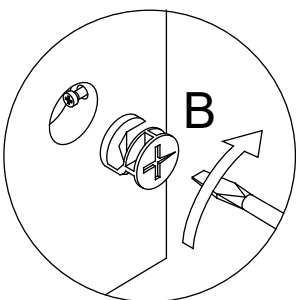
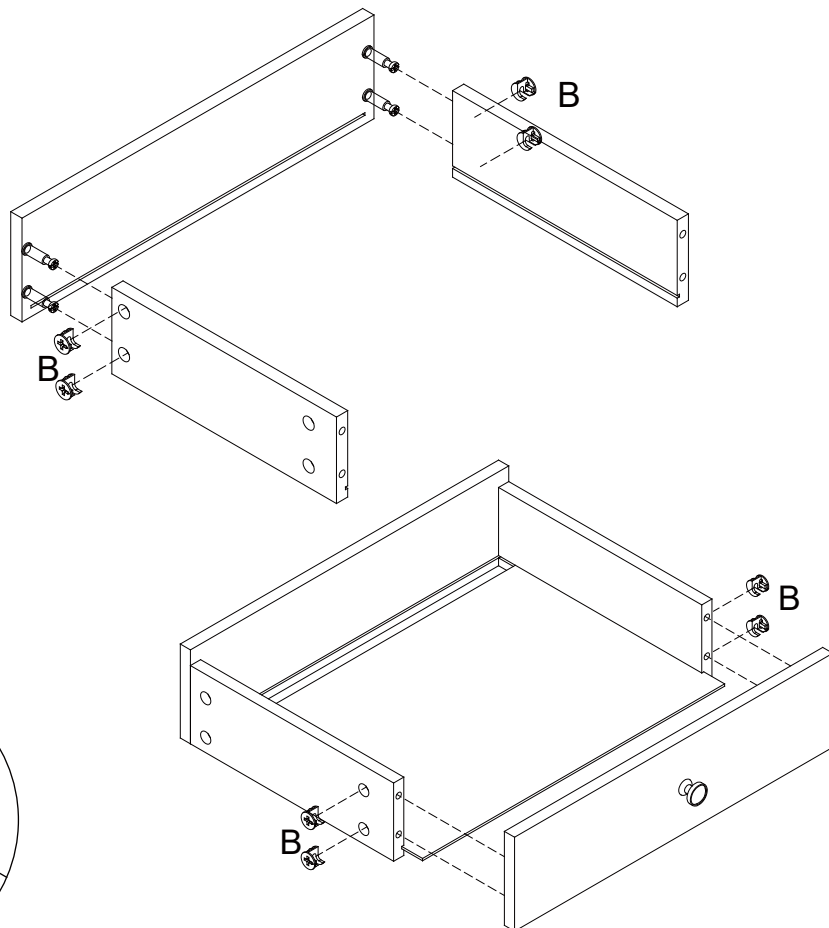
3. Rotate slowly until it stops



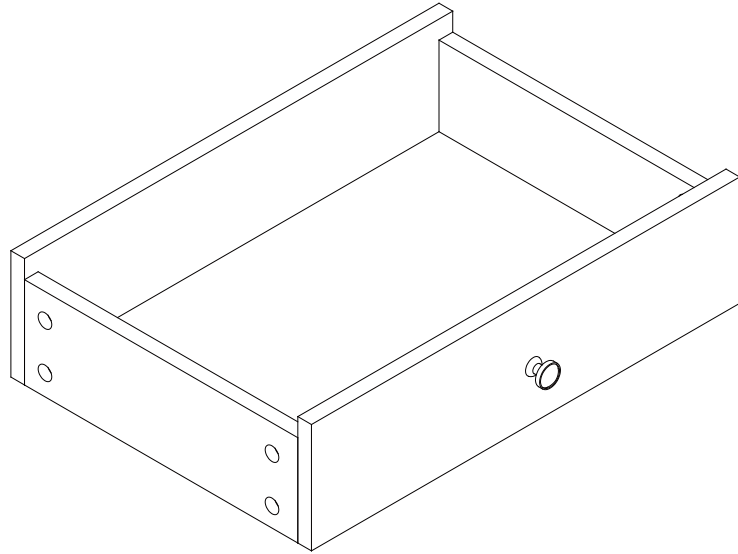
Step 01



Step 02

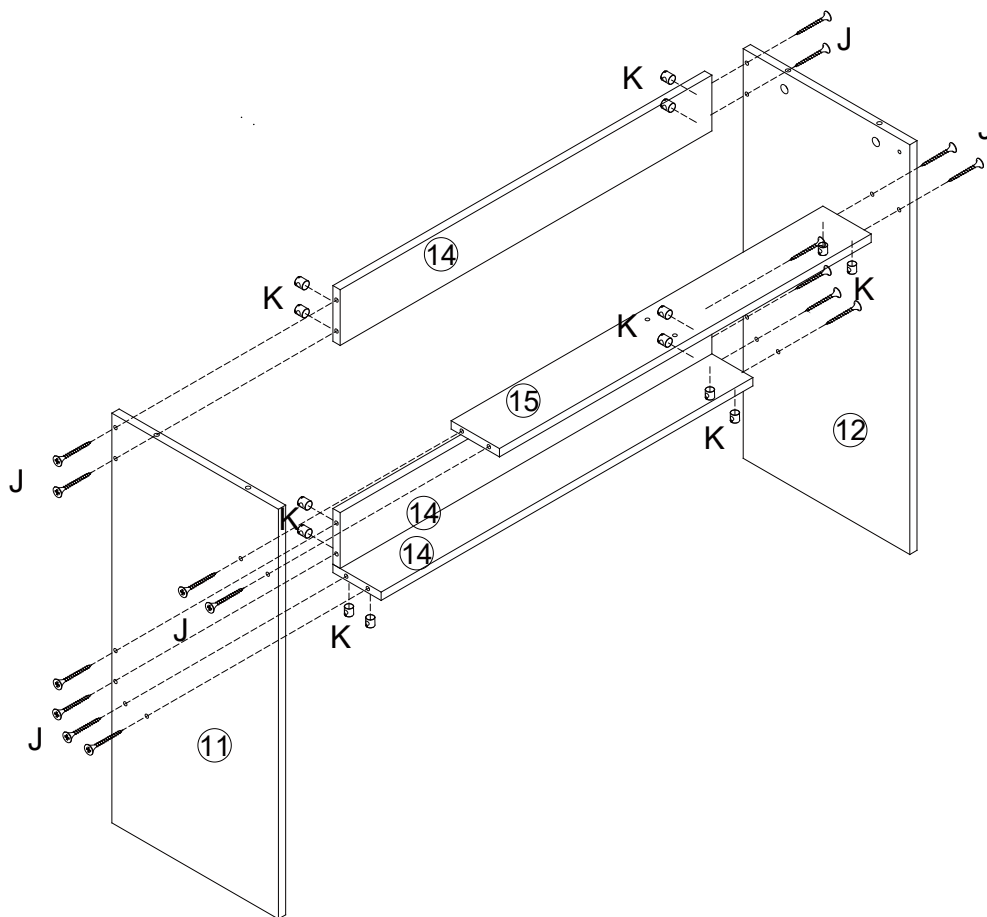


Step 03

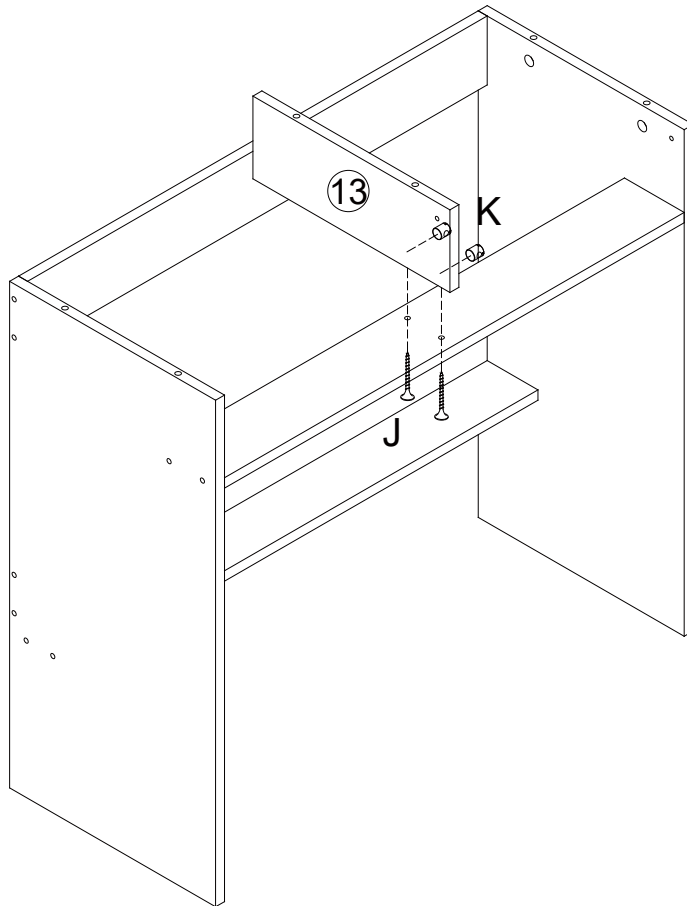


All drawers are installed in the same way

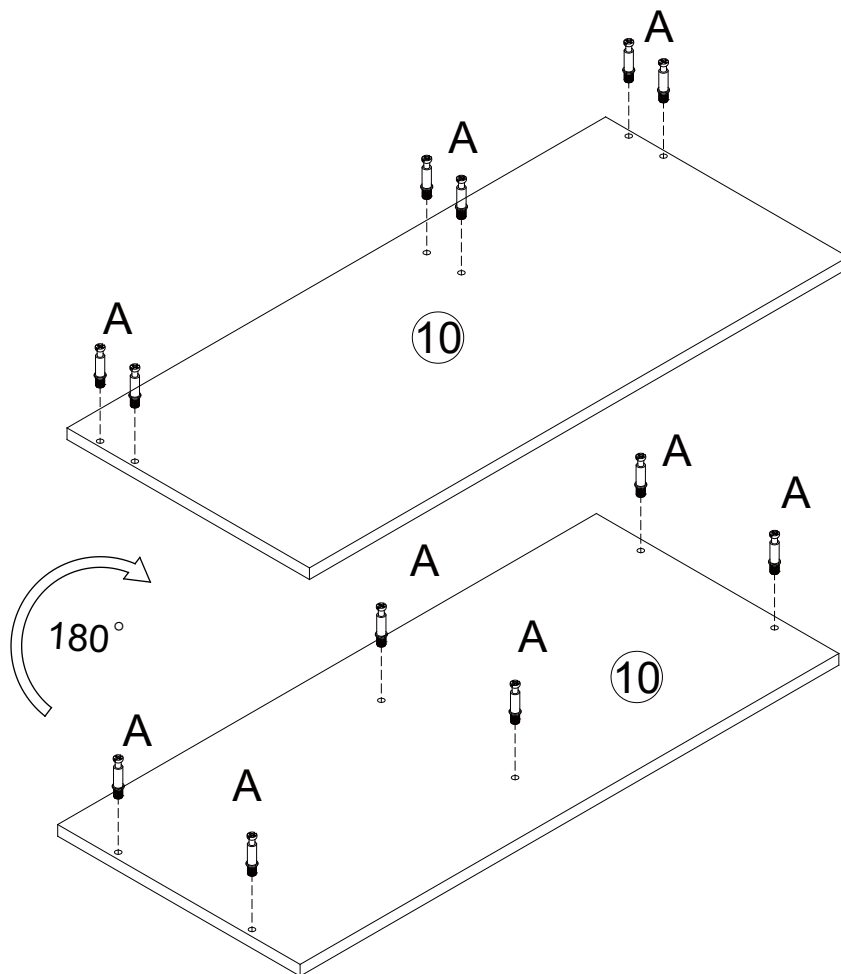
Step 04



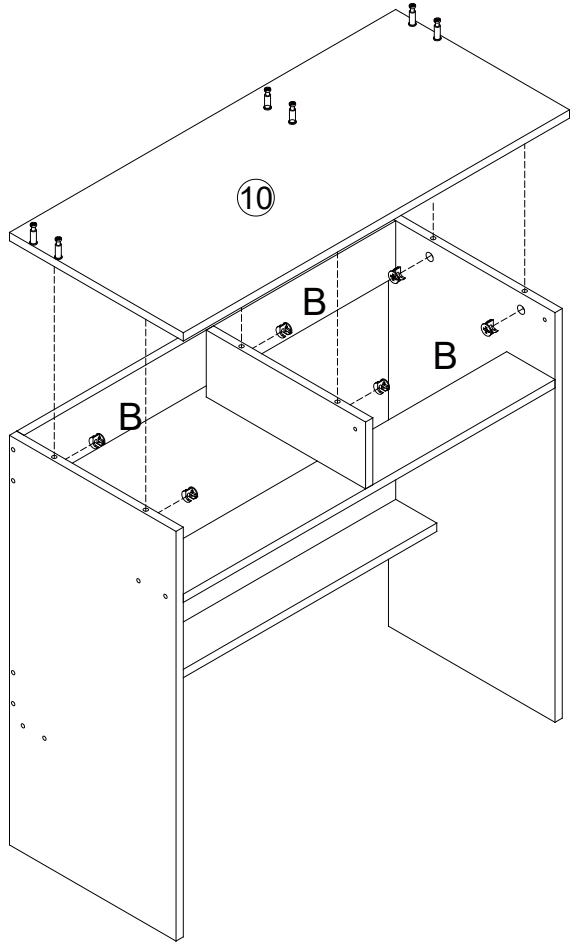
Step 05



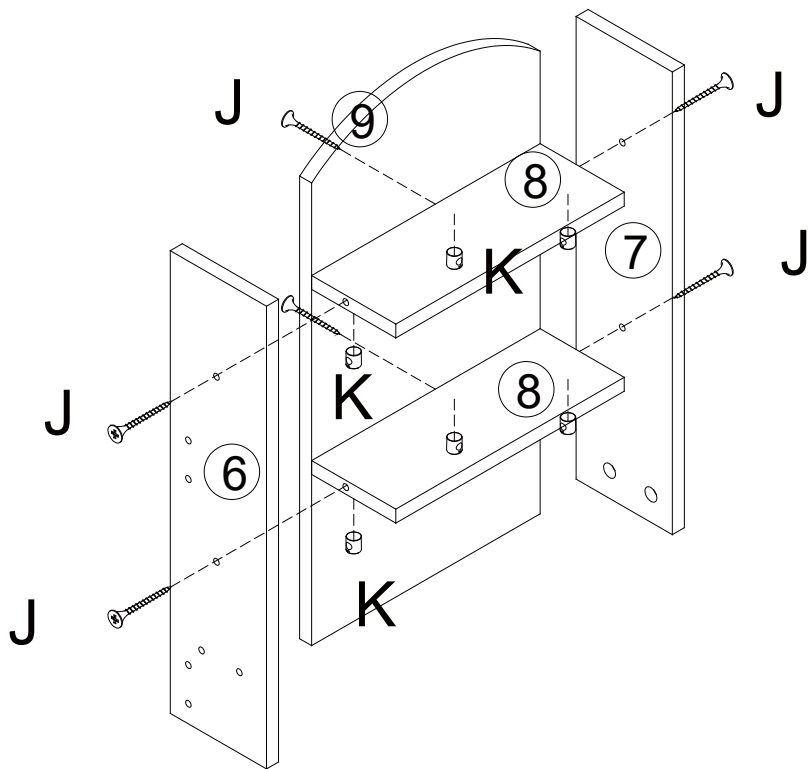
Step 06



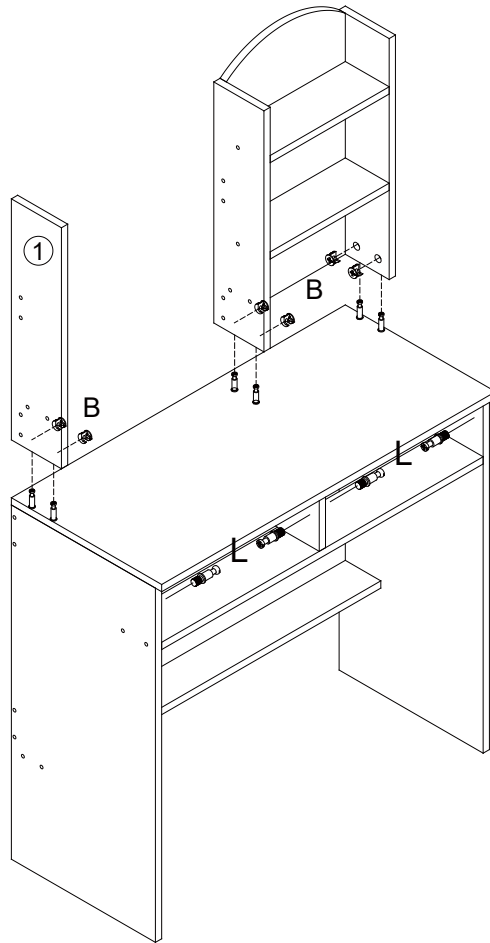
Step 07



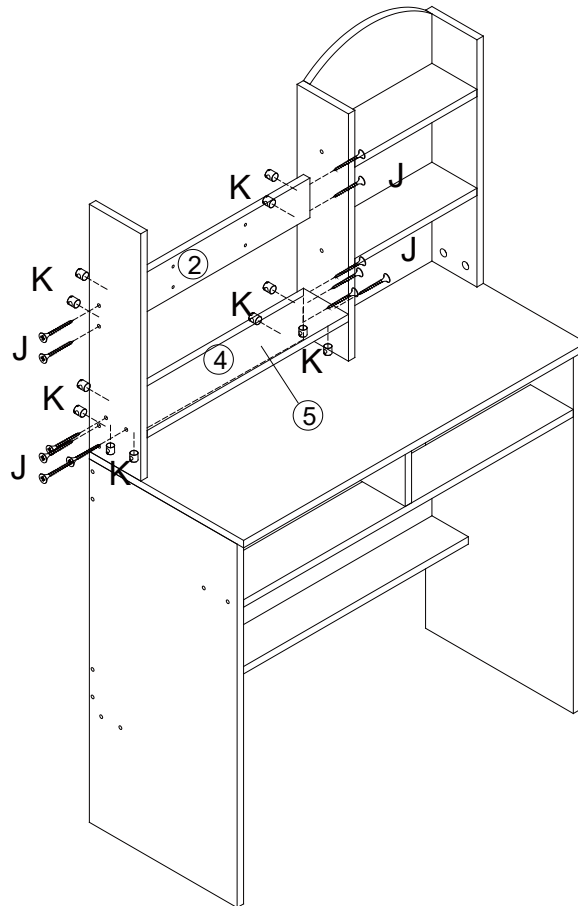
Step 08



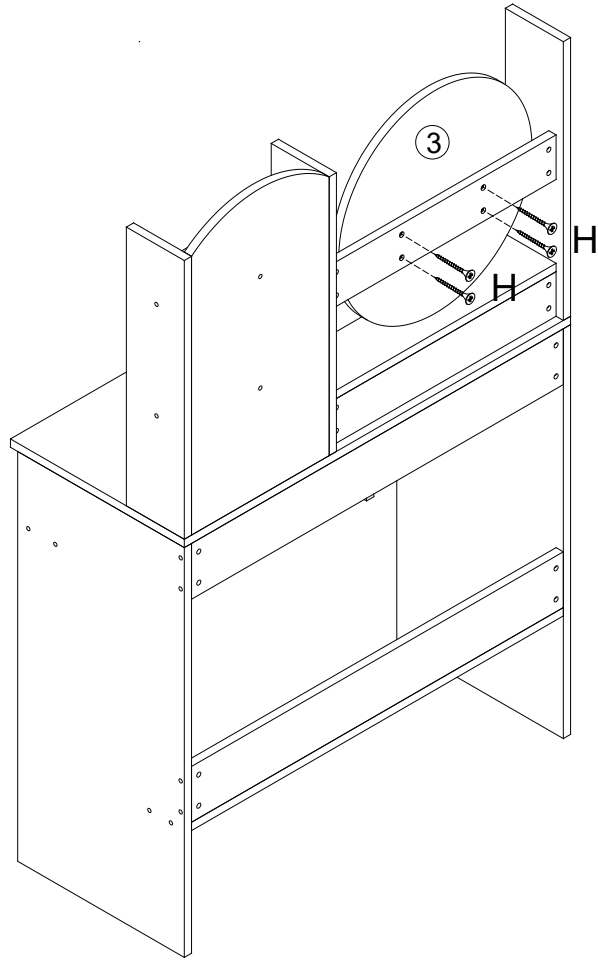
Step 09



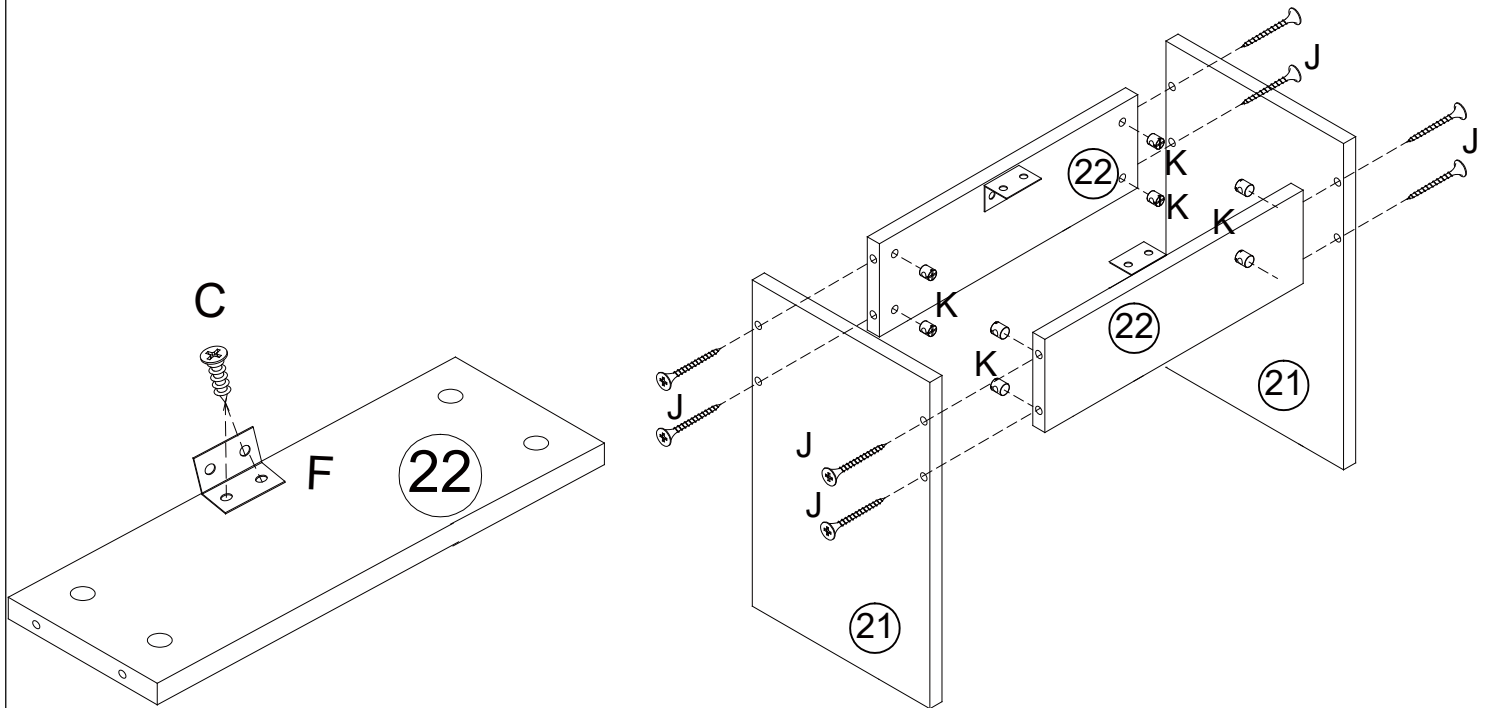
Step 10



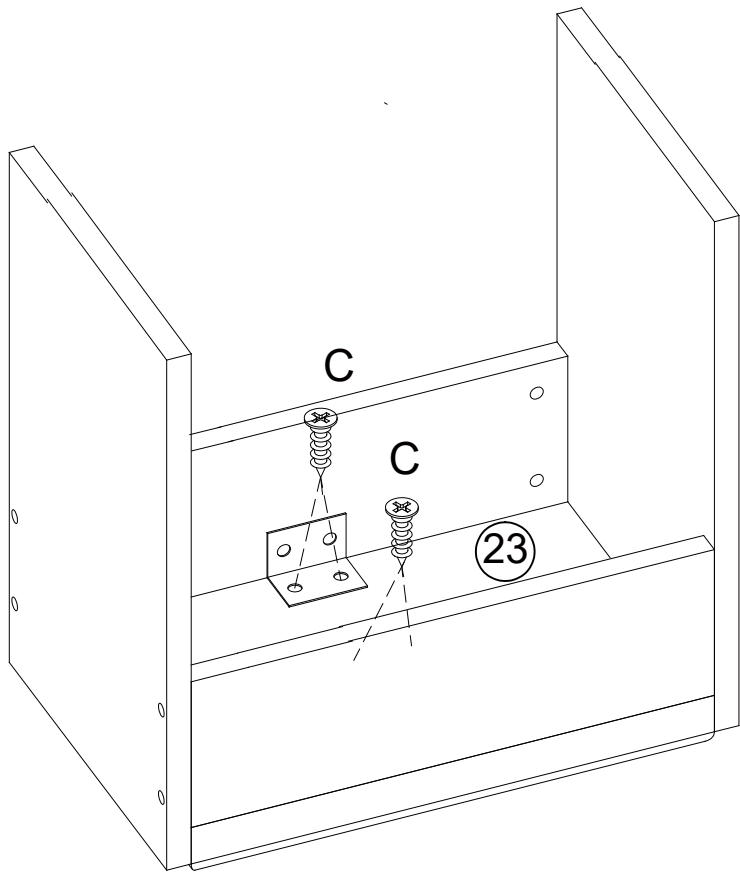
Step 11



Step 12



Step 13



Step 14

