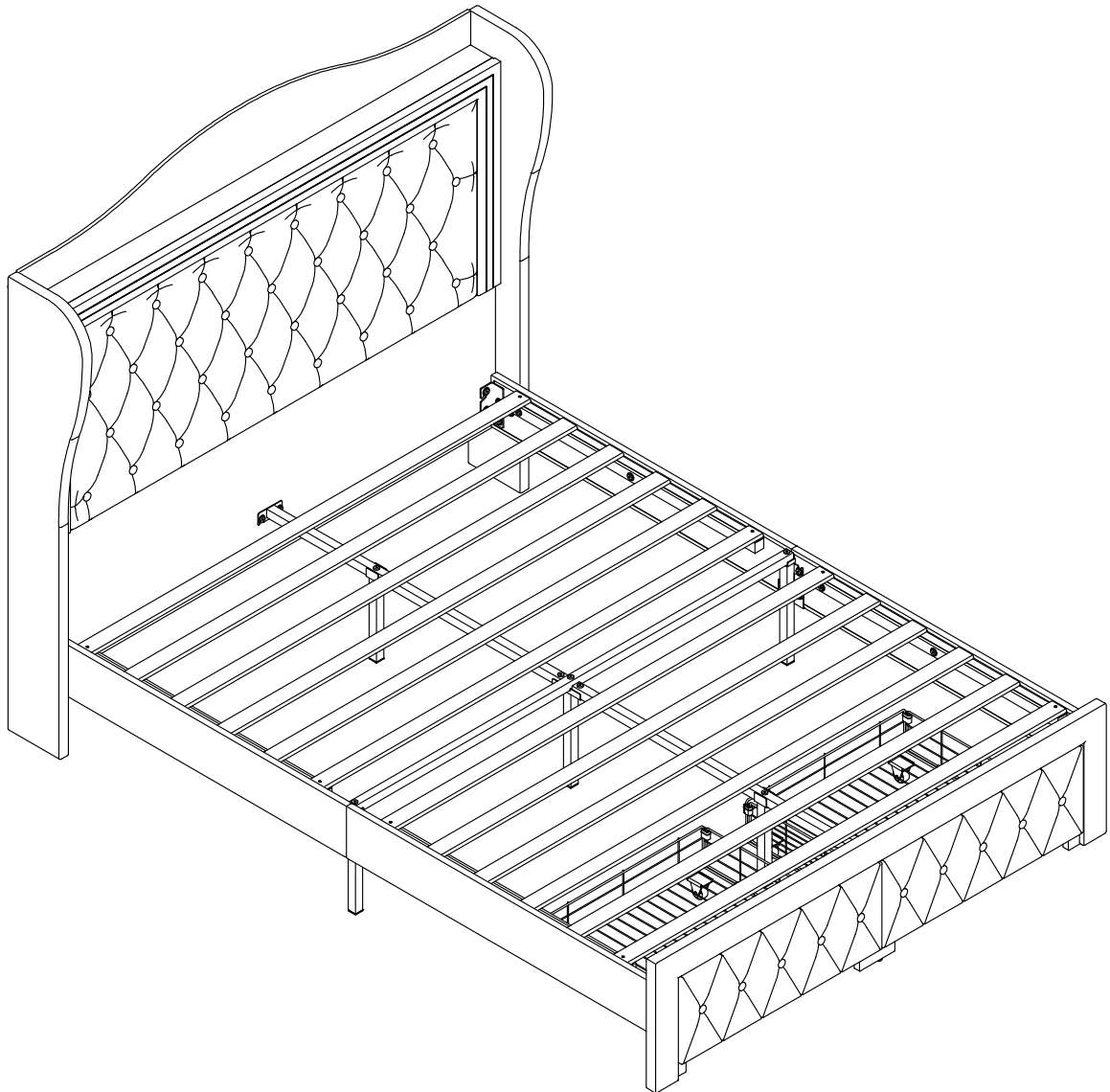


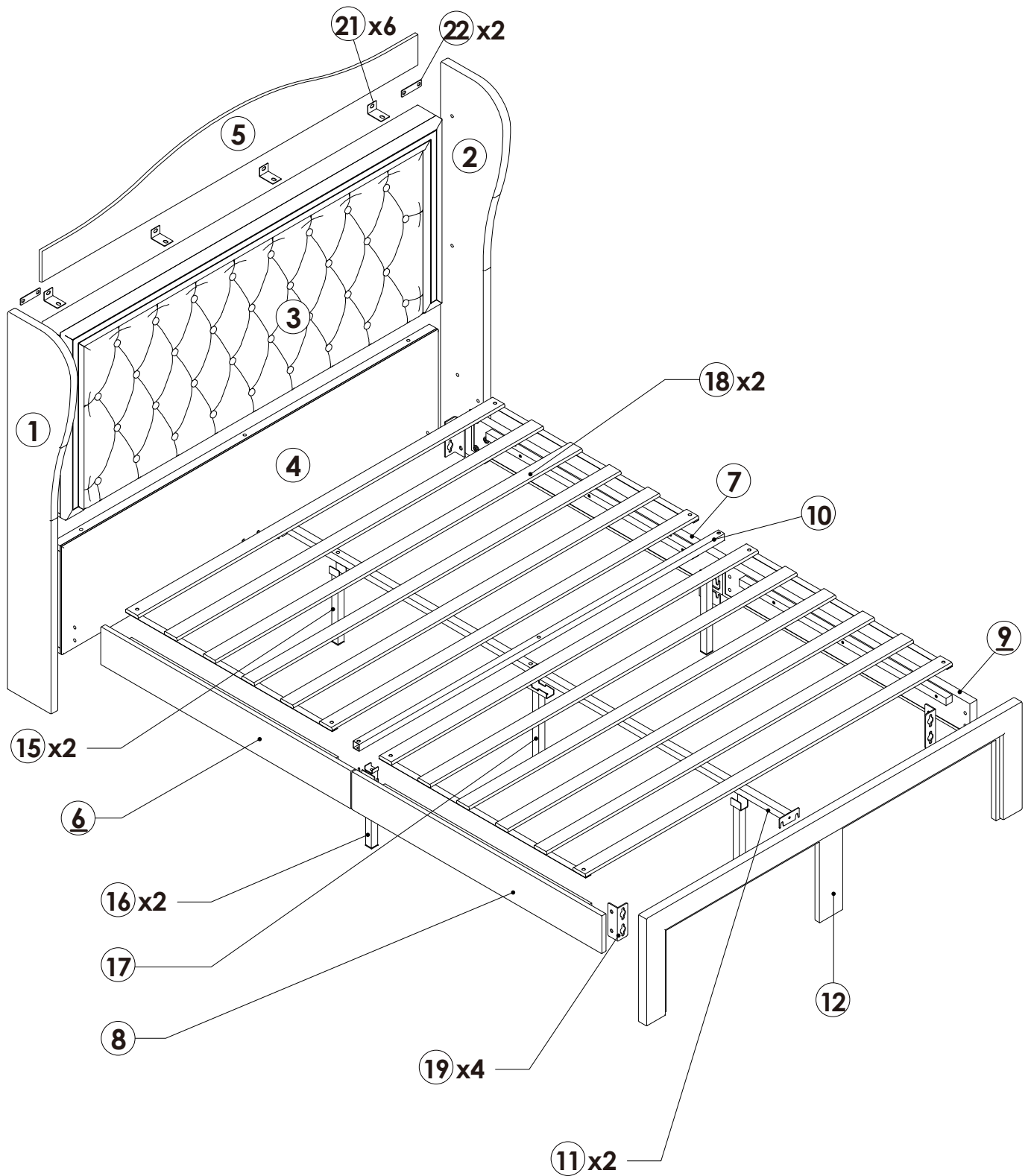
User's Manual

Bed Frame


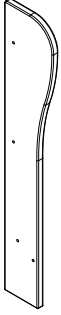
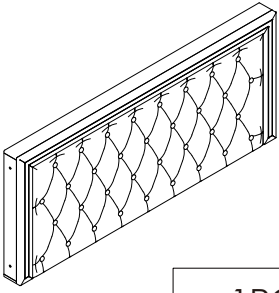
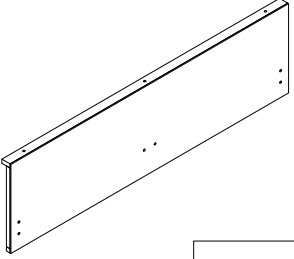
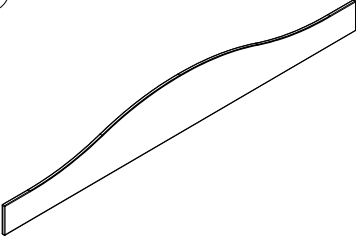
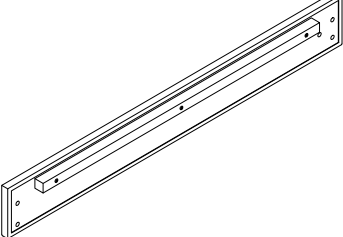
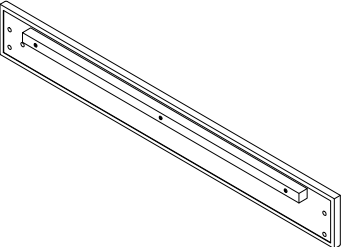
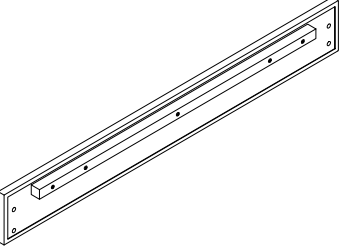
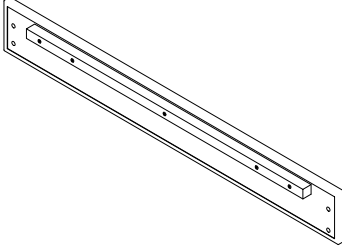
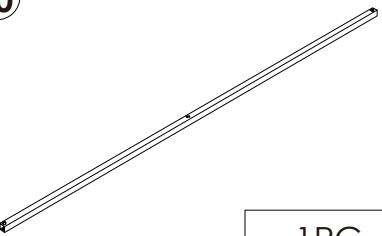
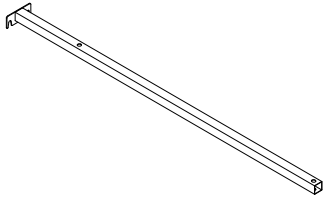
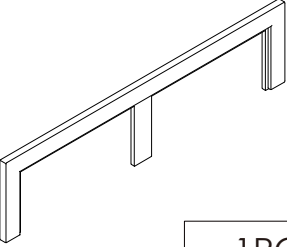
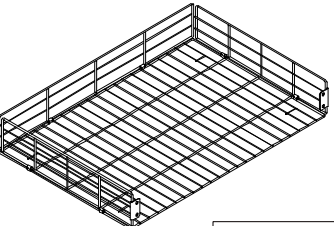
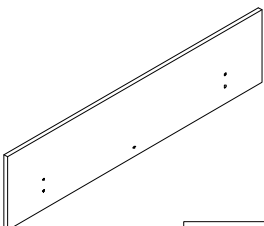
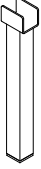
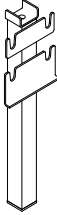
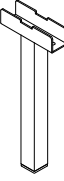
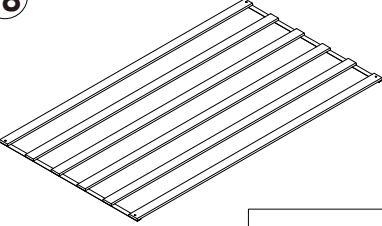


Queen Size

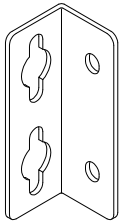
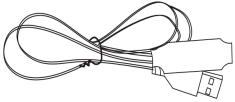
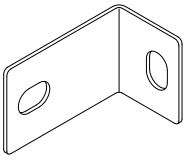
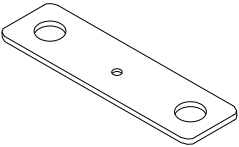
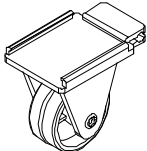
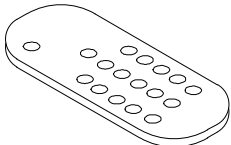
Assembly Instruction of (Bed)

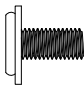



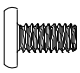


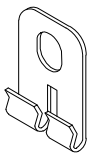
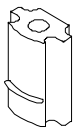
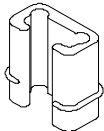
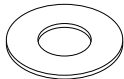
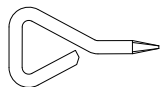


Assembly Instruction of (Bed)

<p>①</p>  <p>1PC</p>	<p>②</p>  <p>1PC</p>	<p>③</p>  <p>1PC</p>
<p>④</p>  <p>1PC</p>	<p>⑤</p>  <p>1PC</p>	<p>⑥</p>  <p>1PC</p>
<p>⑦</p>  <p>1PC</p>	<p>⑧</p>  <p>1PC</p>	<p>⑨</p>  <p>1PC</p>
<p>⑩</p>  <p>1PC</p>	<p>⑪</p>  <p>2PCS</p>	<p>⑫</p>  <p>1PC</p>
<p>⑬</p>  <p>2PCS</p>	<p>⑭</p>  <p>2PCS</p>	<p>⑮</p>  <p>2PCS</p>
<p>⑯</p>  <p>2PCS</p>	<p>⑰</p>  <p>1PC</p>	<p>⑱</p>  <p>2PCS</p>

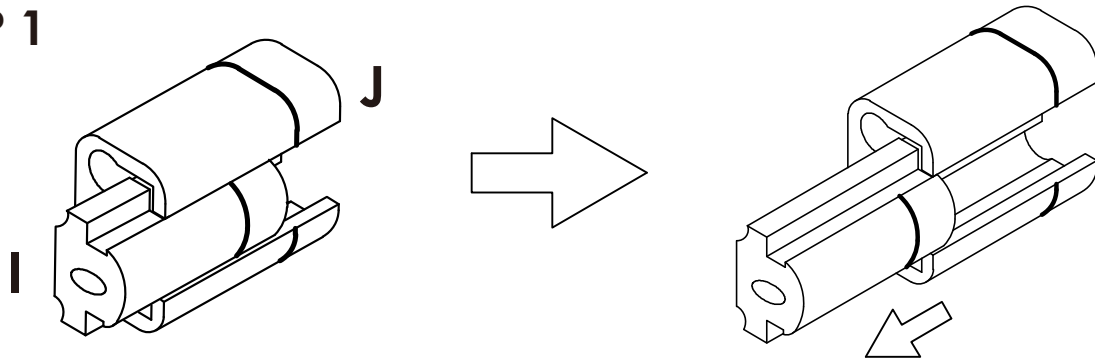
Assembly Instruction of (Bed)

19  <div style="text-align: right; border: 1px solid black; padding: 2px;">4PCS</div>	20  <div style="text-align: right; border: 1px solid black; padding: 2px;">1PC</div>	21  <div style="text-align: right; border: 1px solid black; padding: 2px;">6PCS</div>
22  <div style="text-align: right; border: 1px solid black; padding: 2px;">2PCS</div>	23  <div style="text-align: right; border: 1px solid black; padding: 2px;">8PCS</div>	24  <div style="text-align: right; border: 1px solid black; padding: 2px;">1PC</div>

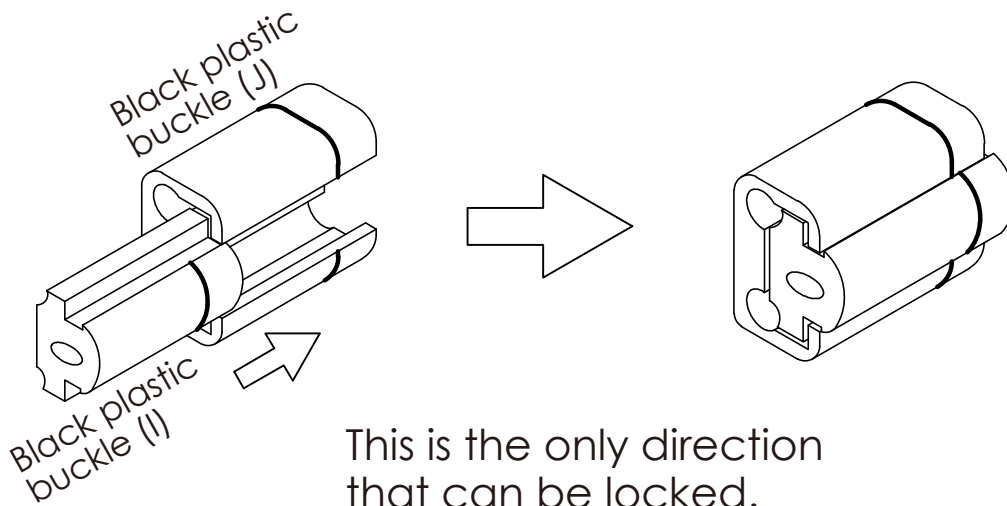
A  <div style="display: flex; justify-content: space-between; width: 100%;"> 5/16×16mm <div style="border: 1px solid black; padding: 2px;">28+2PCS</div> </div>	B  <div style="display: flex; justify-content: space-between; width: 100%;"> 5/16×35mm <div style="border: 1px solid black; padding: 2px;">13+1PCS</div> </div>	C  <div style="display: flex; justify-content: space-between; width: 100%;"> 5/16×45mm <div style="border: 1px solid black; padding: 2px;">3PCS</div> </div>
D  <div style="display: flex; justify-content: space-between; width: 100%;"> 5/16×21mm <div style="border: 1px solid black; padding: 2px;">16+2PCS</div> </div>	E  <div style="display: flex; justify-content: space-between; width: 100%;"> 1/4×10mm <div style="border: 1px solid black; padding: 2px;">10+1PCS</div> </div>	F  <div style="display: flex; justify-content: space-between; width: 100%;"> 1/4 <div style="border: 1px solid black; padding: 2px;">1PC</div> </div>
G  <div style="display: flex; justify-content: space-between; width: 100%;"> M4×25mm <div style="border: 1px solid black; padding: 2px;">8+1PCS</div> </div>	H  <div style="text-align: right; border: 1px solid black; padding: 2px;">2PCS</div>	I  <div style="text-align: right; border: 1px solid black; padding: 2px;">4PCS</div>
J  <div style="text-align: right; border: 1px solid black; padding: 2px;">4PCS</div>	K  <div style="text-align: right; border: 1px solid black; padding: 2px;">12+1PCS</div>	L  <div style="text-align: right; border: 1px solid black; padding: 2px;">1PC</div>

Assembly Instruction of (Drawer)

STEP 1

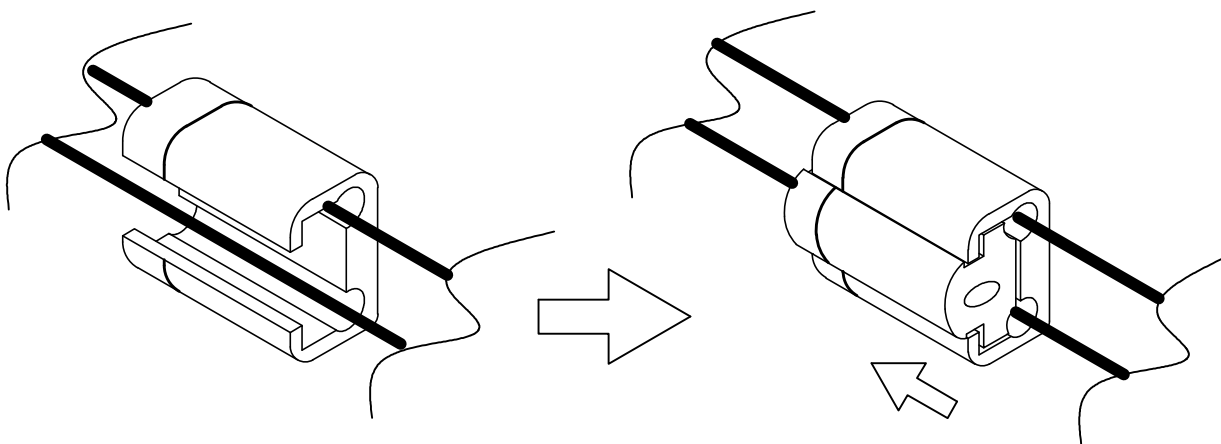


You can pull the buckle out by following the direction indicated by the arrow



This is the only direction that can be locked.

STEP 2

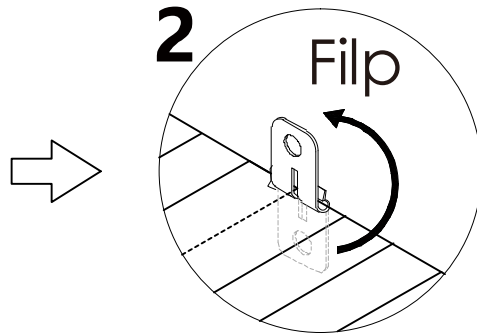
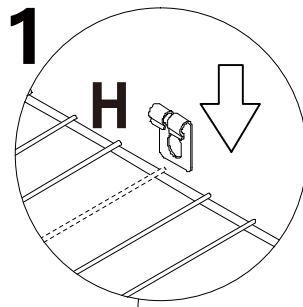
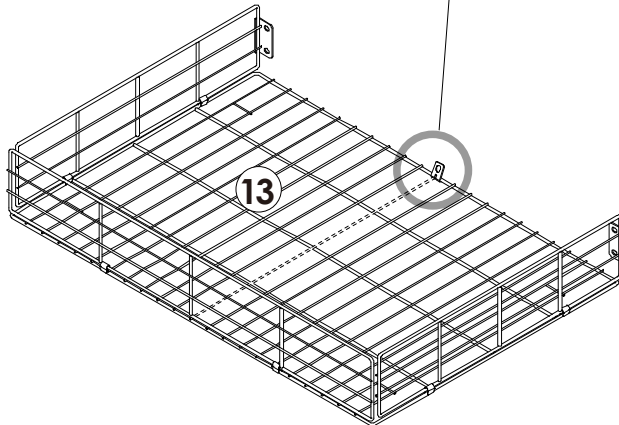


Place the round iron tubes as shown for better assembly of the drawers.

Assembly Instruction of (Drawer)

STEP 3

Assemble
drawer hook



1: Count from the side to the wire in the middle of the drawer.

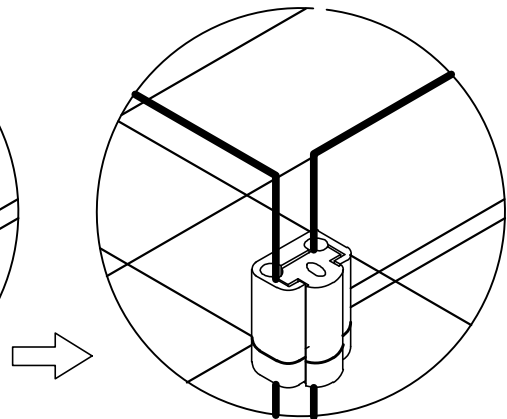
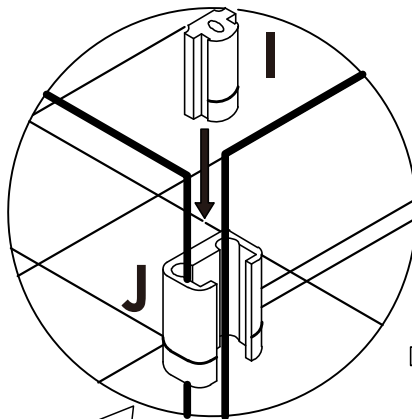
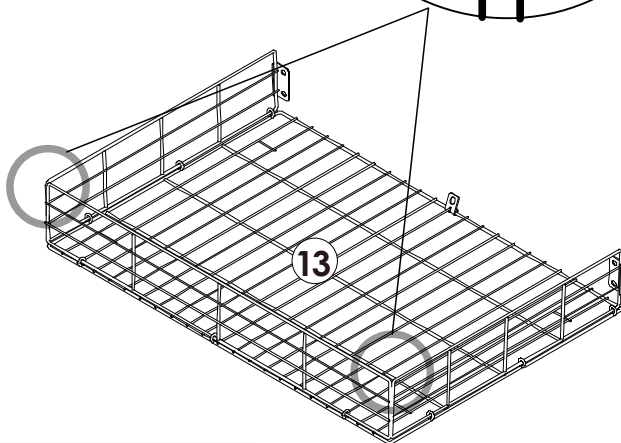
2: Buckle it and turn it over

x2



H x 2PCS

STEP 4



Pull up the side and rear wall of the drawer and lock it with plastic buckle

x2



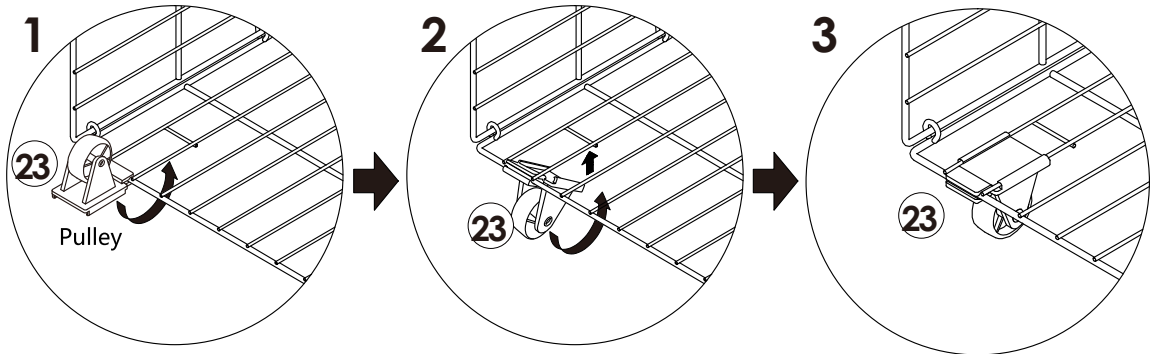
I x 4PCS



J x 4PCS

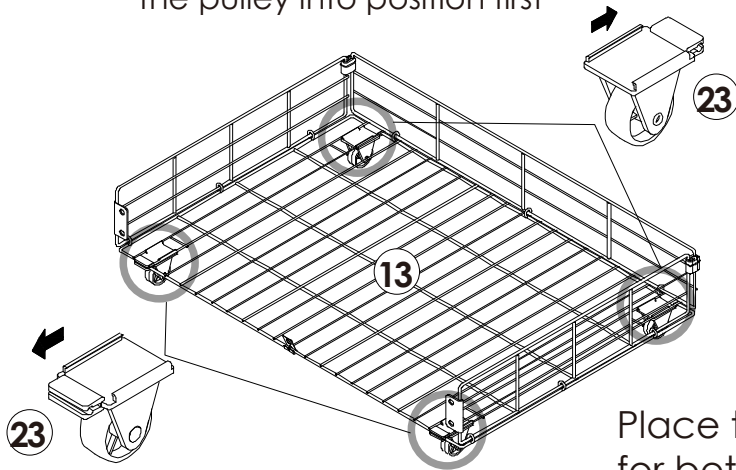
Assembly Instruction of (Drawer)

STEP 5



1. As shown in the figure Clip the pulley into position first

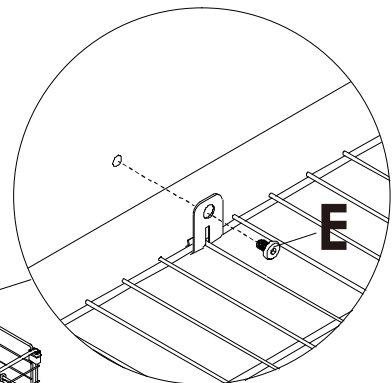
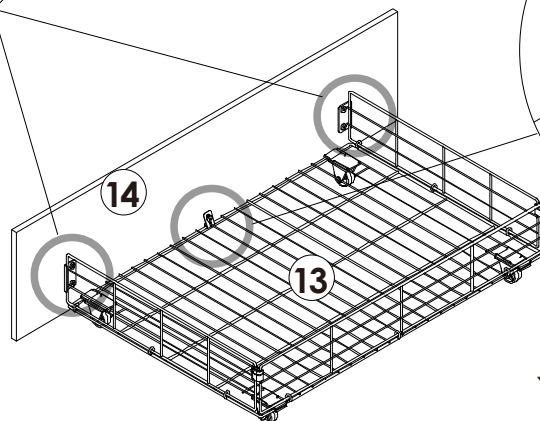
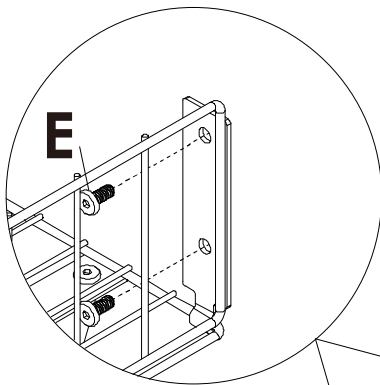
2. Then push the pulley to the side, clamp the iron wire at the edge.





x2

Place the round iron tubes as shown for better assembly of the drawers.

STEP 6

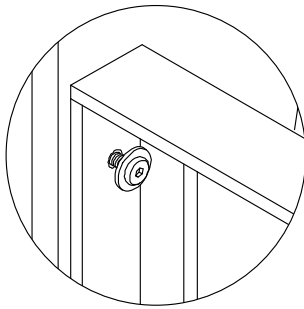
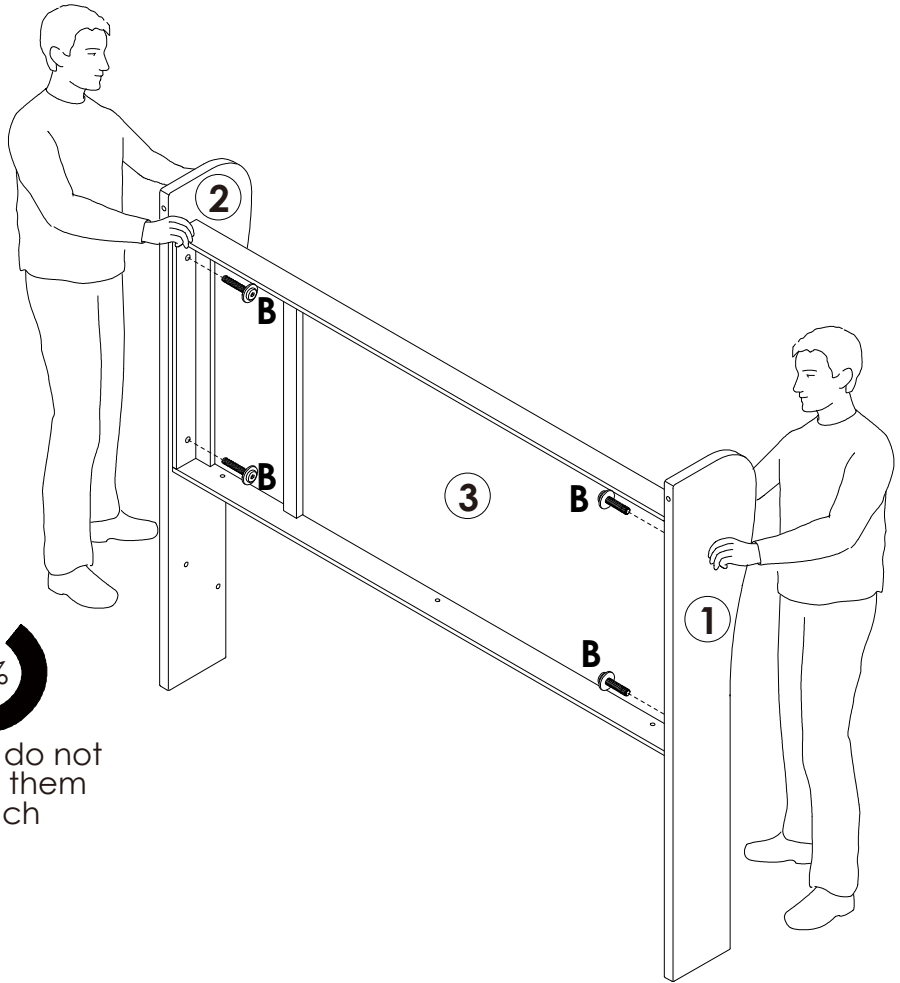
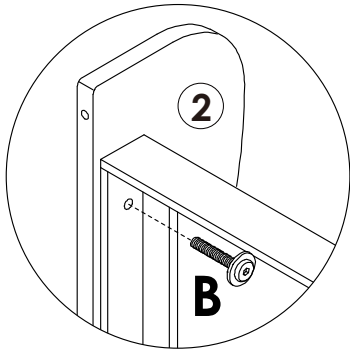


x2


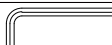
	E x 10PCS
	F x 1PC

Assembly Instruction of (Drawer)

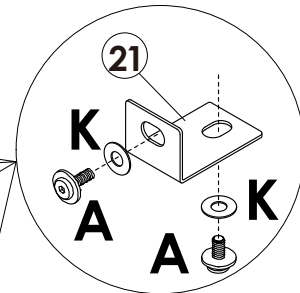
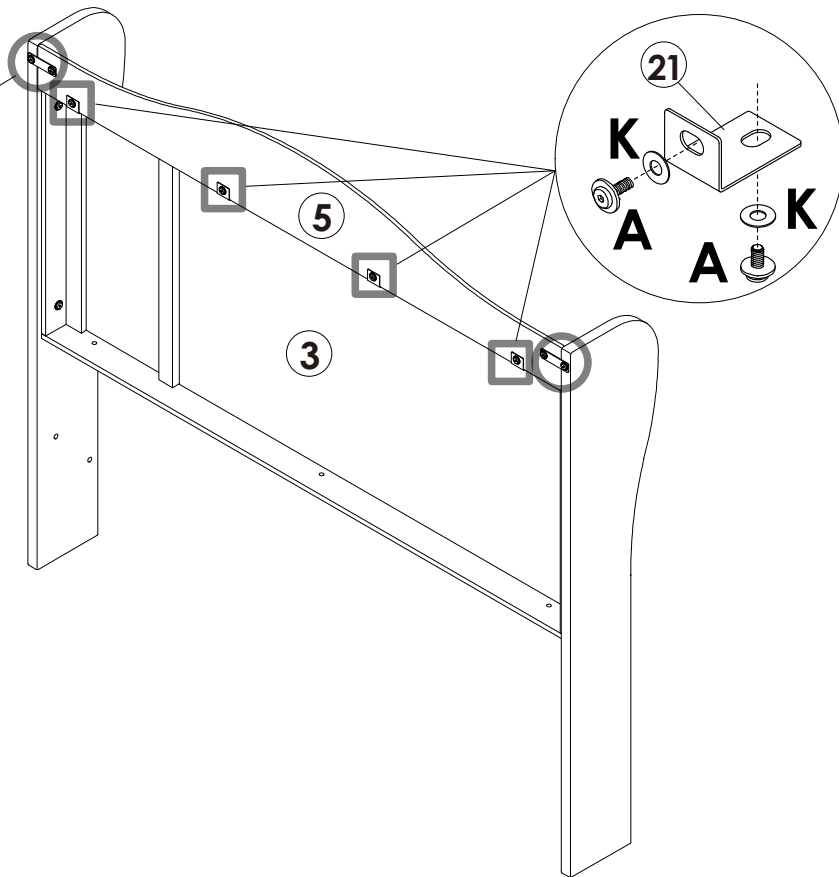
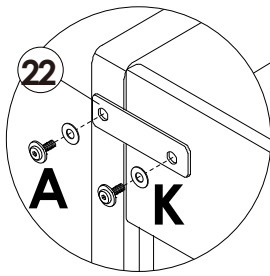
STEP 7


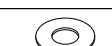
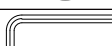


75%
please do not
tighten them
too much

	B x 4PCS
	F x 1PC

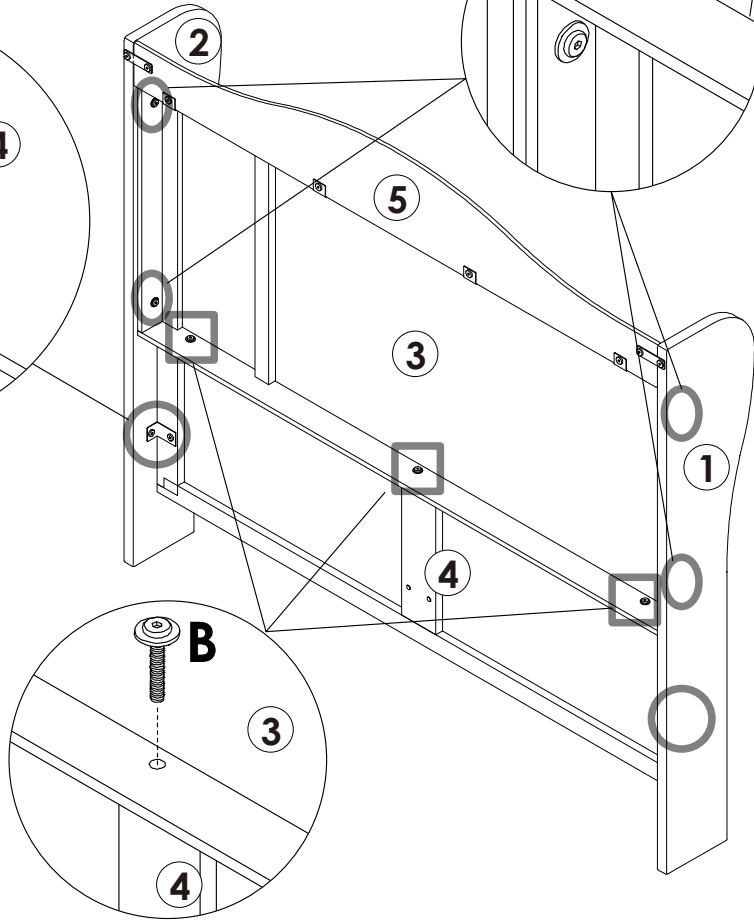
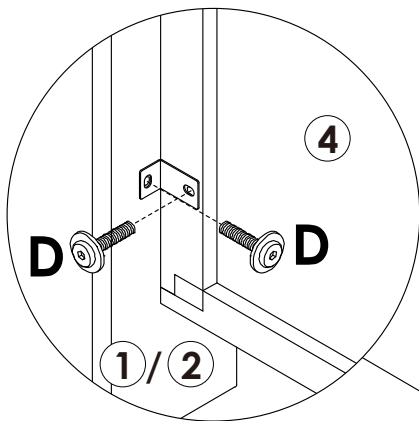
STEP 8






	A x 12PCS
	K x 12PCS
	F x 1PC

Assembly Instruction of (Drawer)

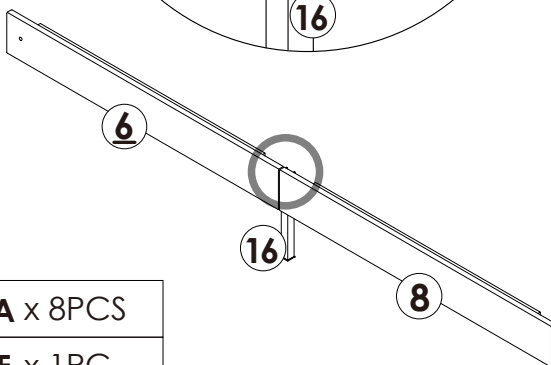
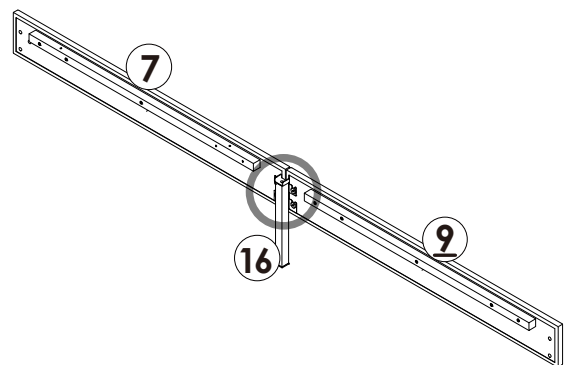
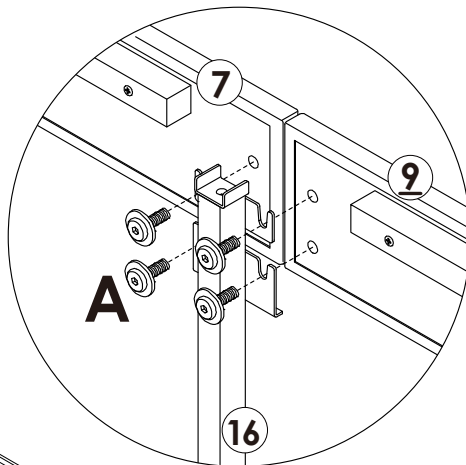
STEP 9





Tight all the innerscrew after all holes are aligned.

	B x 3PCS
	D x 4PCS
	F x 1PC

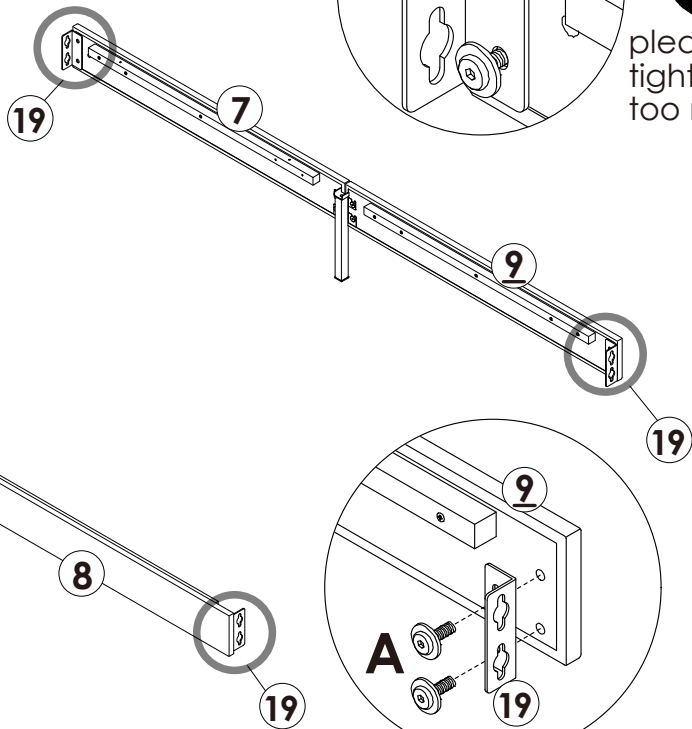
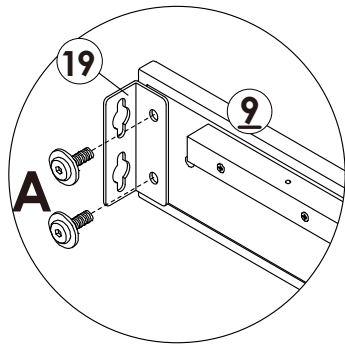
STEP 10





	A x 8PCS
	F x 1PC

Assembly Instruction of (Drawer)

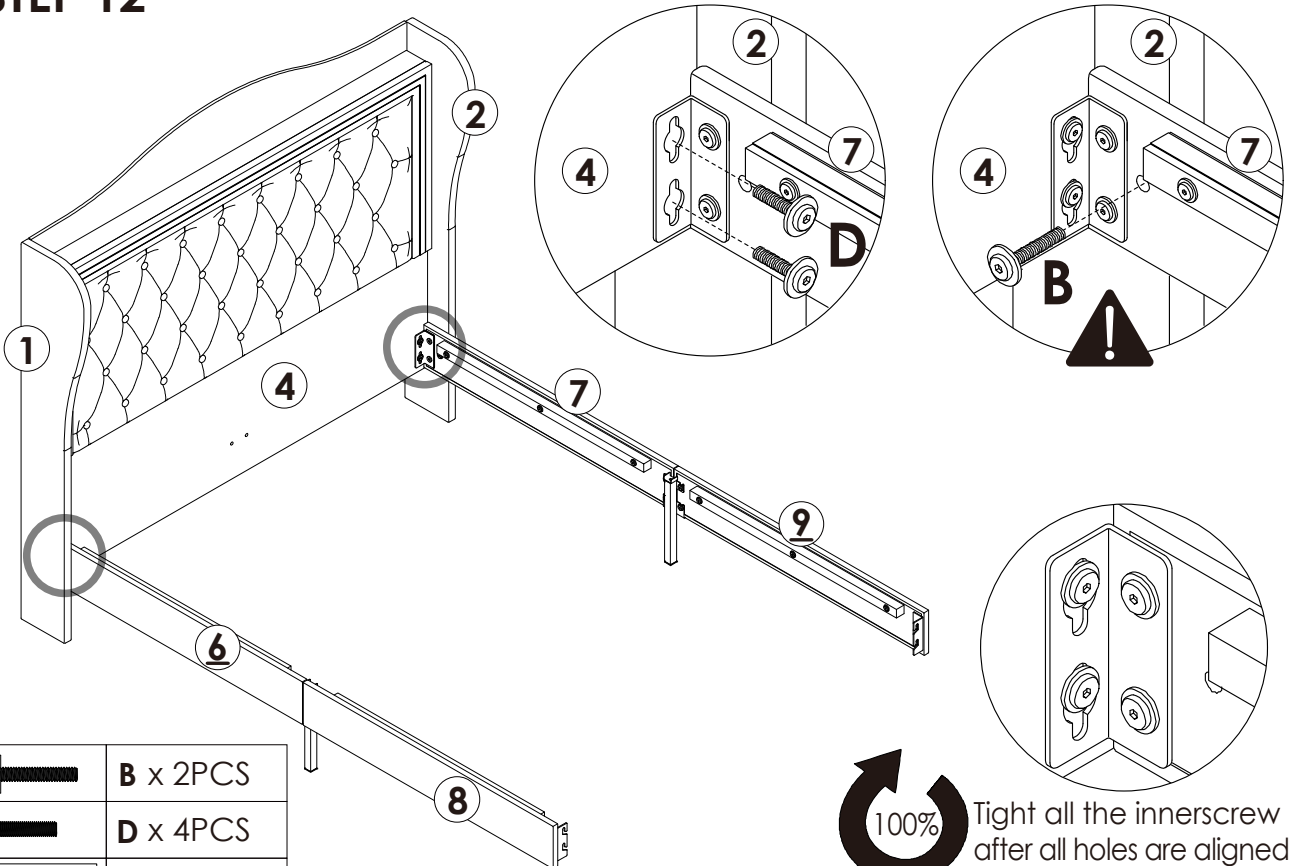
STEP 11

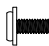
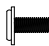



75%
please do not
tighten them
too much

	A x 8PCS
	F x 1PC

STEP 12

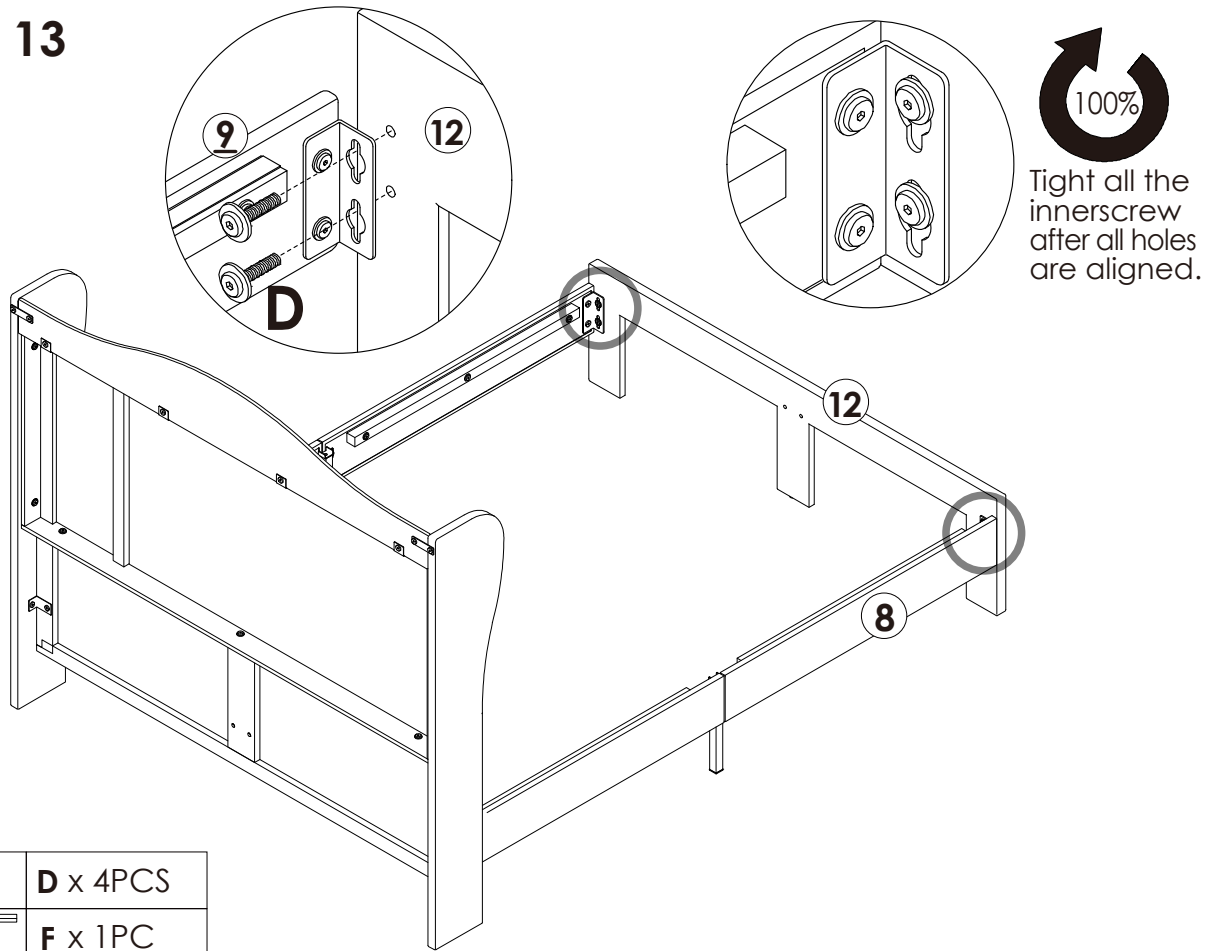


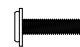

	B x 2PCS
	D x 4PCS
	F x 1PC

100% Tight all the innerscrew
after all holes are aligned.

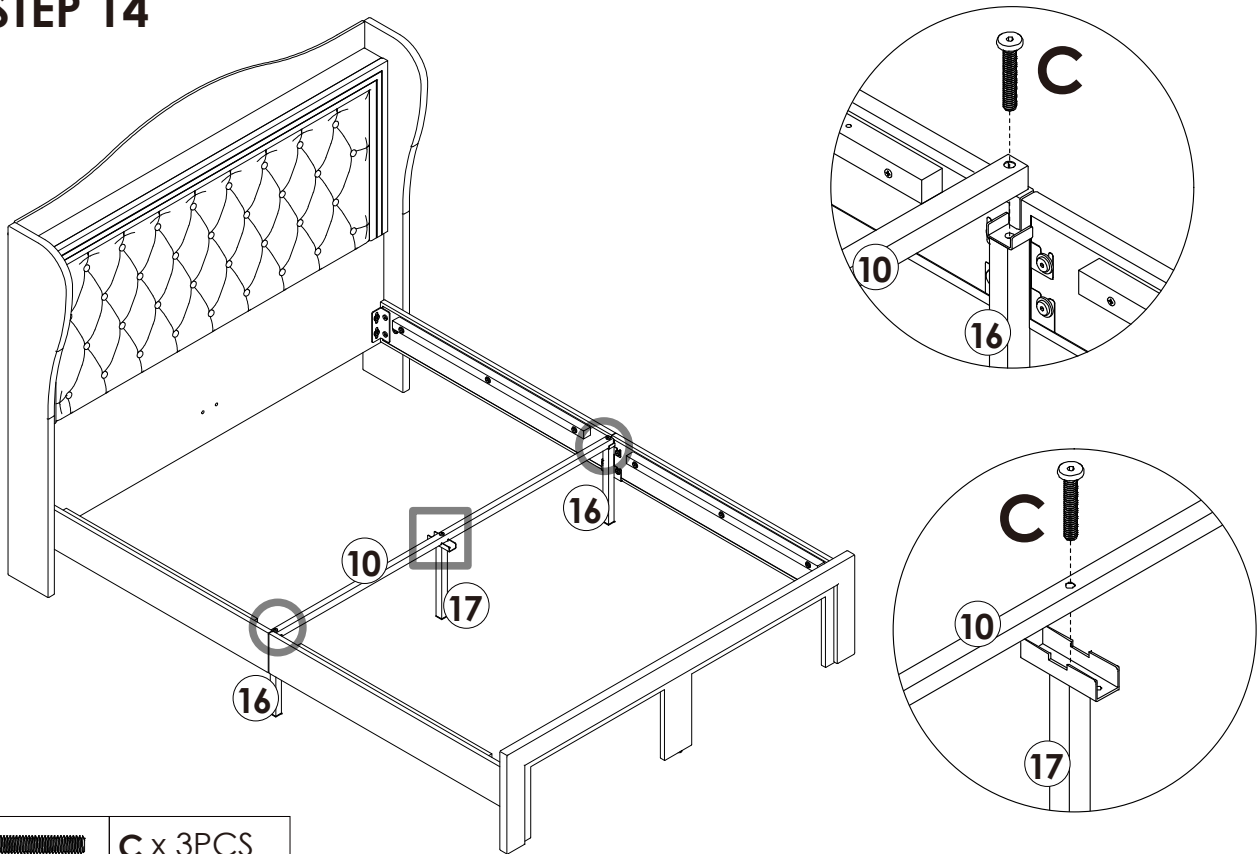
Assembly Instruction of (Drawer)



STEP 13



	D x 4PCS
	F x 1PC

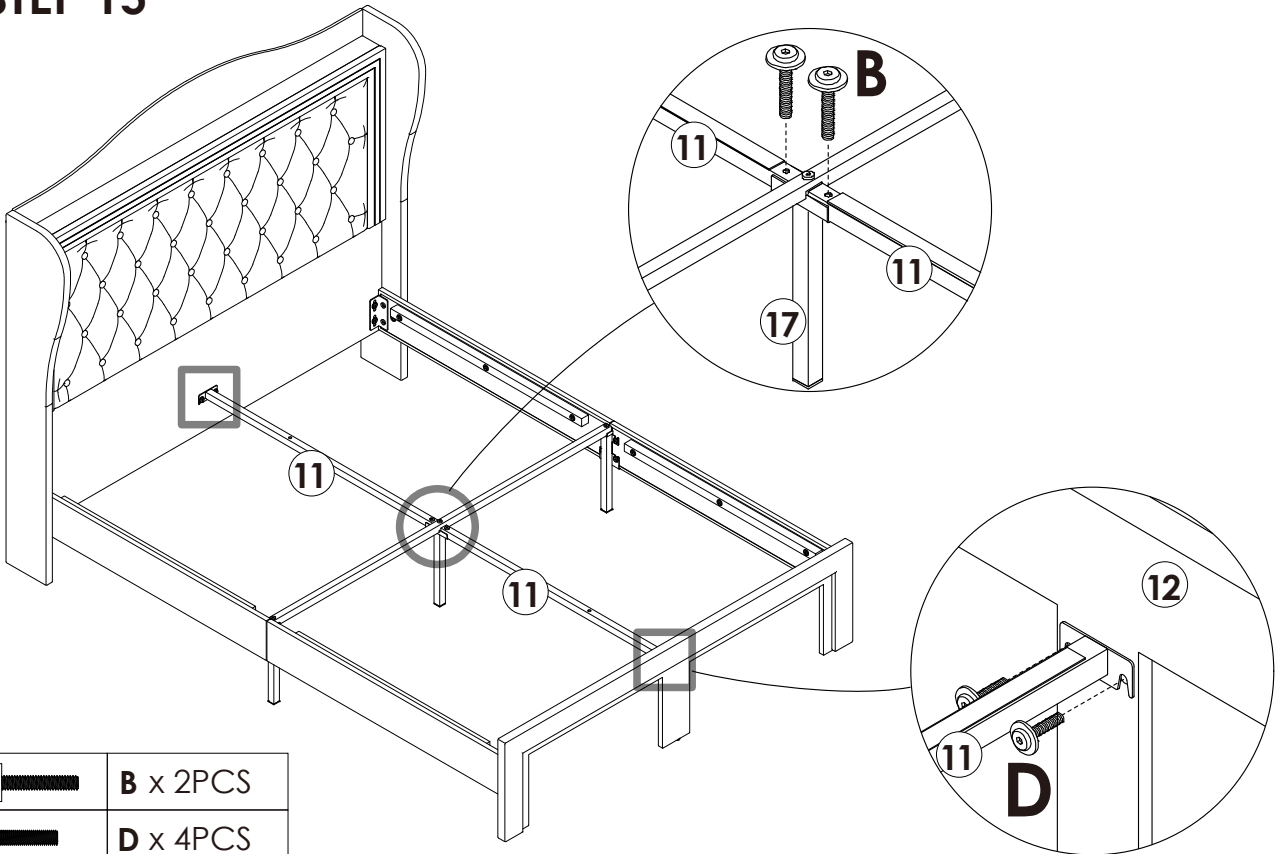
STEP 14



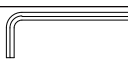


	C x 3PCS
	F x 1PC

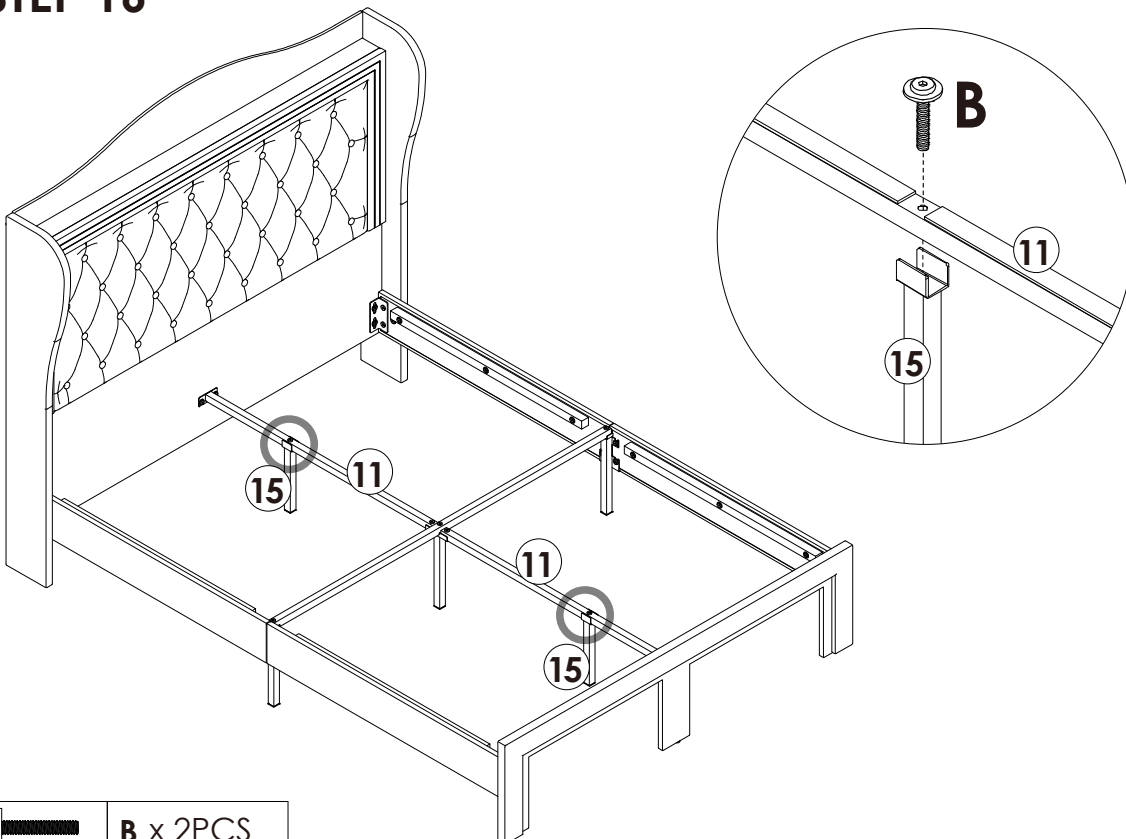
Assembly Instruction of (Drawer)



STEP 15



	B x 2PCS
	D x 4PCS
	F x 1PC

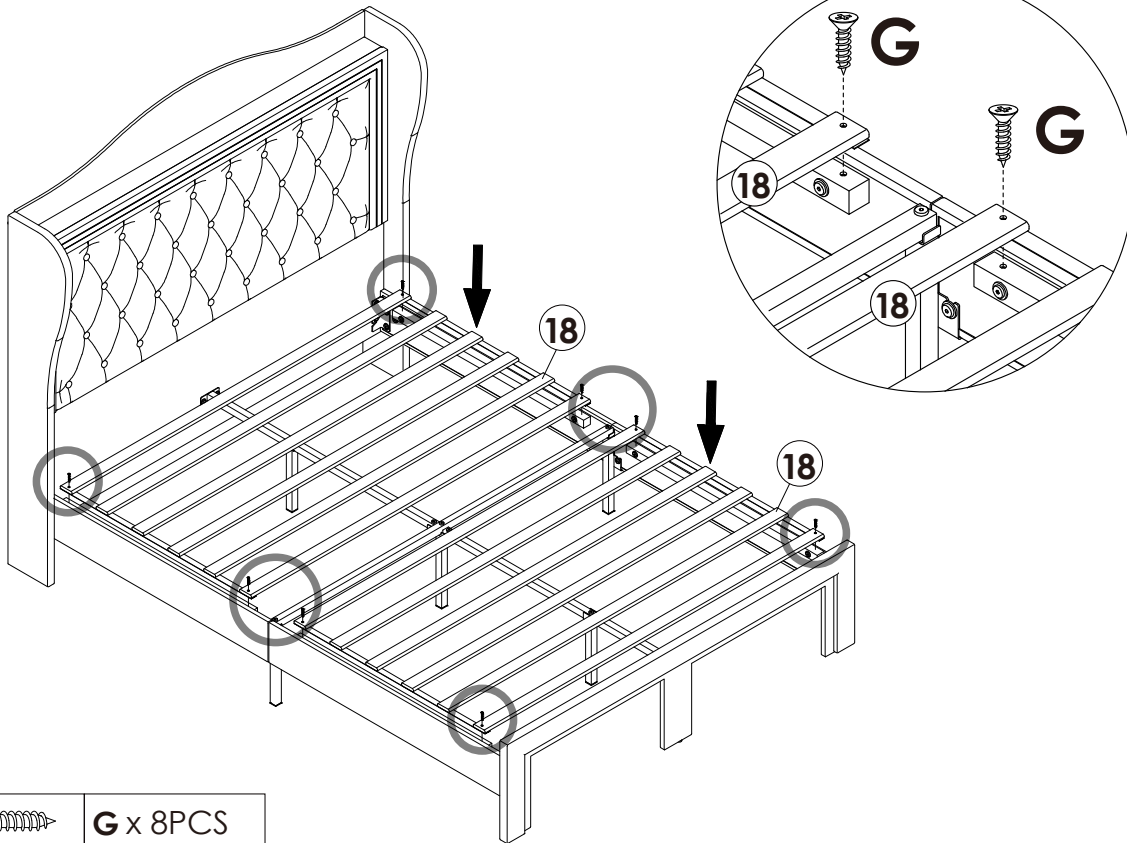
STEP 16


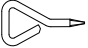


	B x 2PCS
	F x 1PC

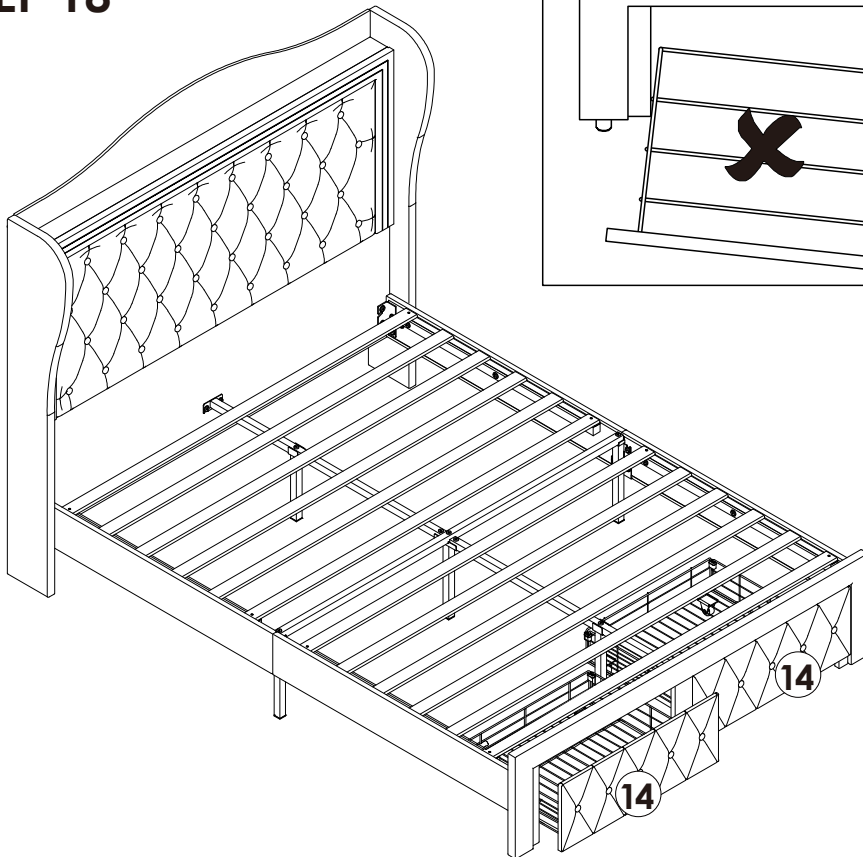
Assembly Instruction of (Drawer)

STEP 17



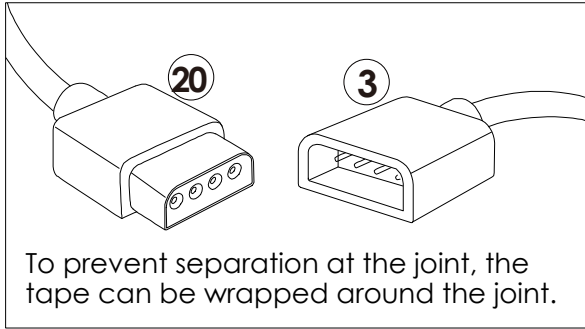
	G x 8PCS
	L x 1PC

STEP 18

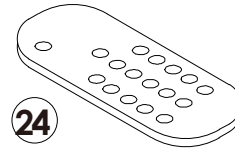


Assembly Instruction of (Bed)

STEP 19



NOTE: The black part of the receiver (20) needs to be exposed to air in order to better control the LED light.



(24)

Remote control

You can use the remote to control the light. The LED lamp can only be used after the power supply is connected.

