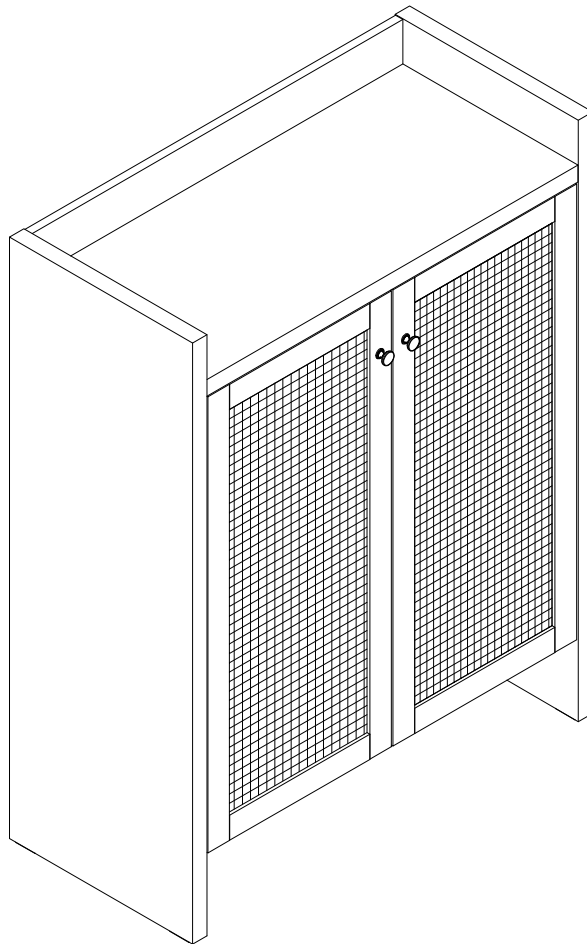
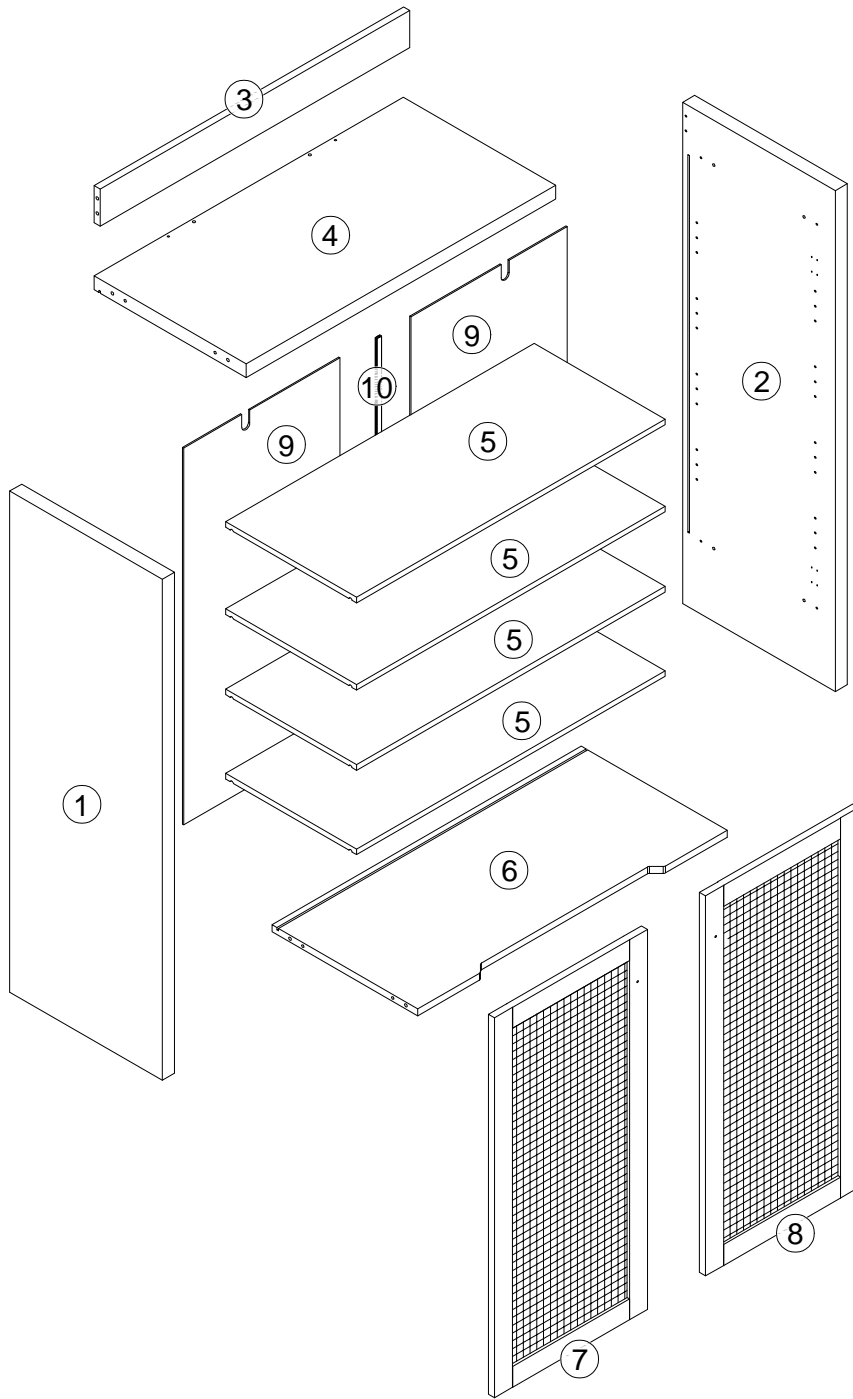



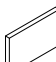



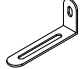


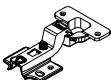







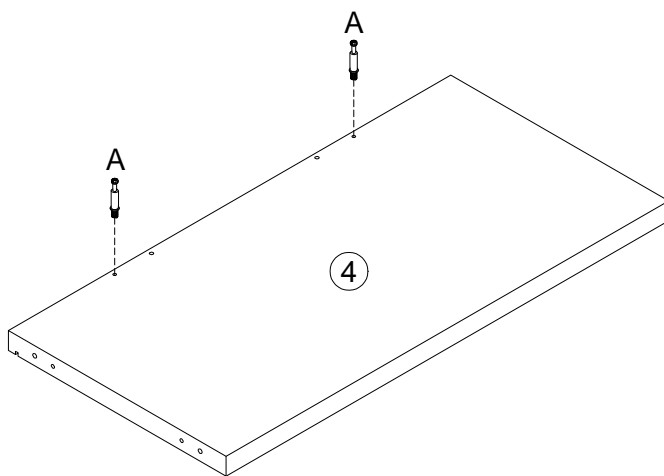
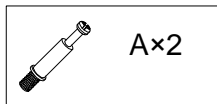
ASSEMBLY INSTRUCTION



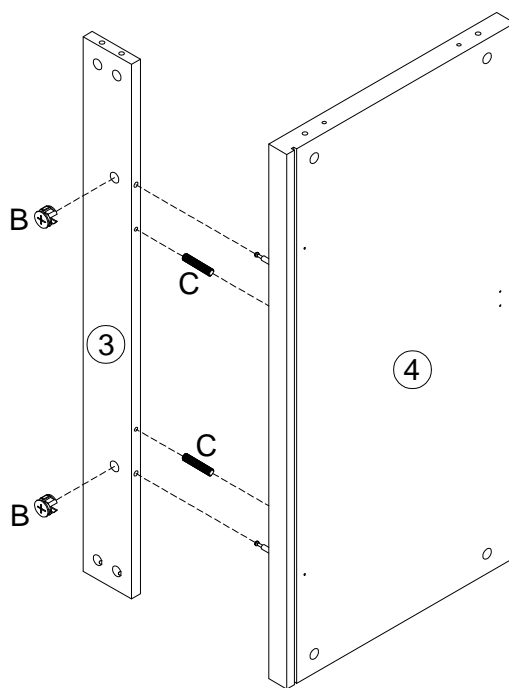
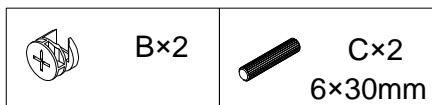


 A×14	 B×14	 C×10 6×30mm	 D×4	 E×1	 F×12 3×14mm	 G×2 4×12mm
 H×2	 J×16	 K×24 4×14mm	 L×4	 M×2	 N×2 4×18mm	 O×10
 P×2	 Q×2 4×35mm					

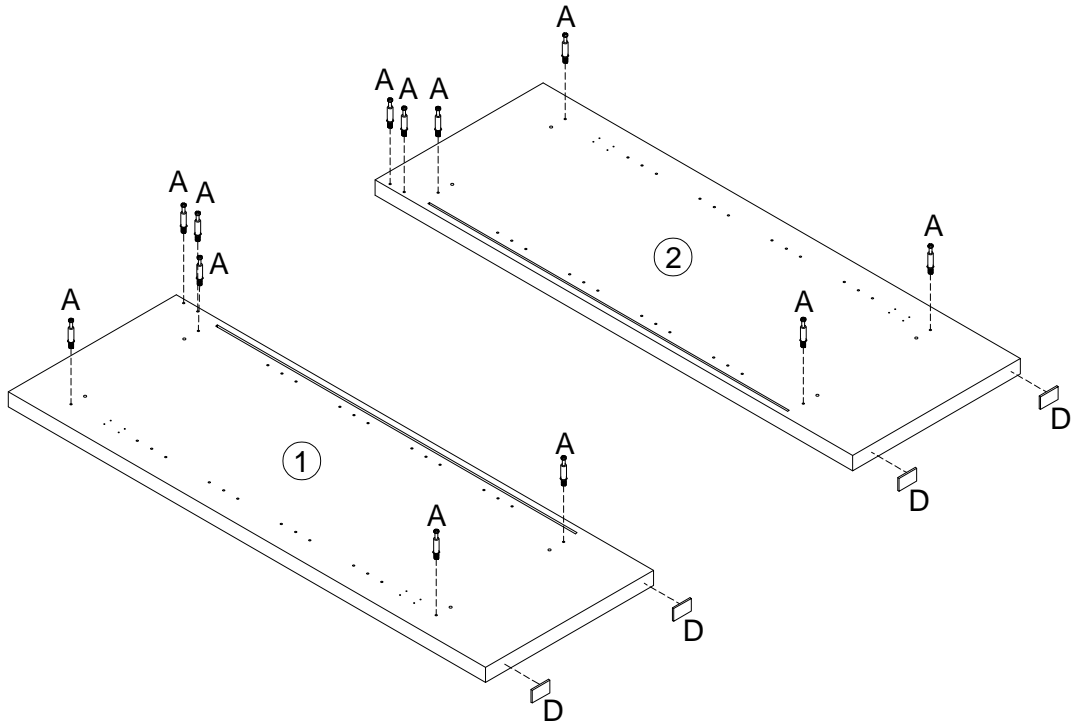
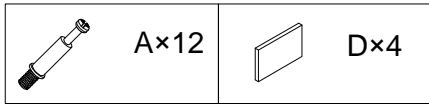
STEP 1



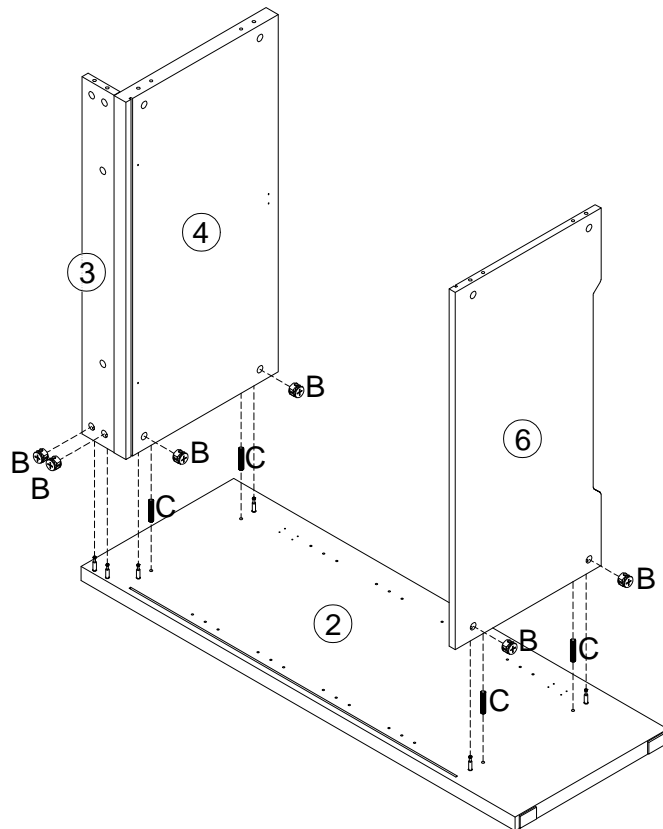
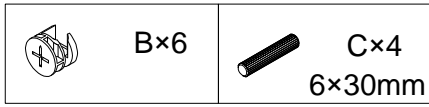
STEP 2



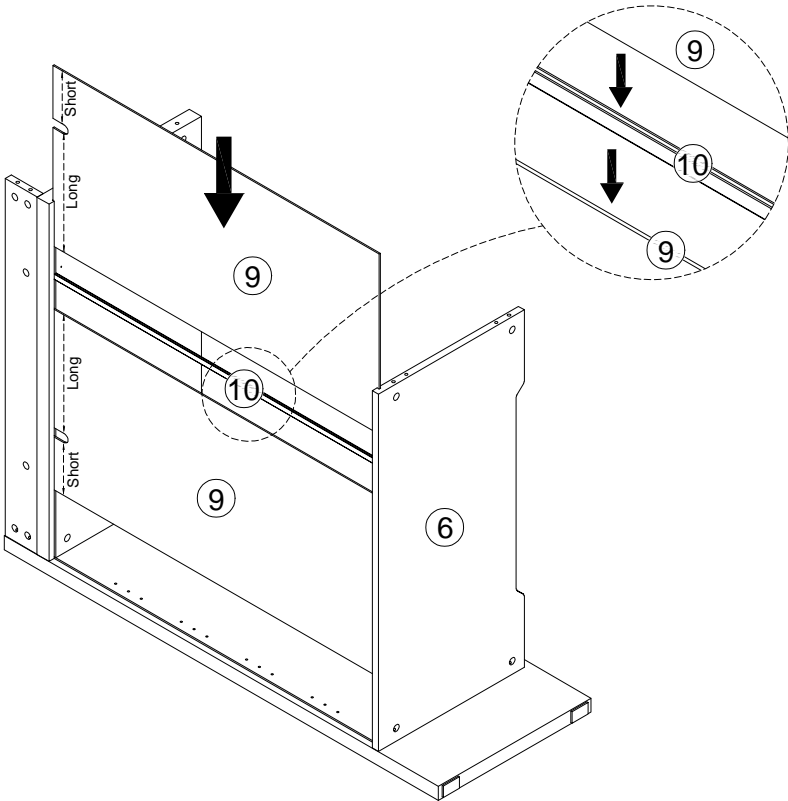
STEP 3



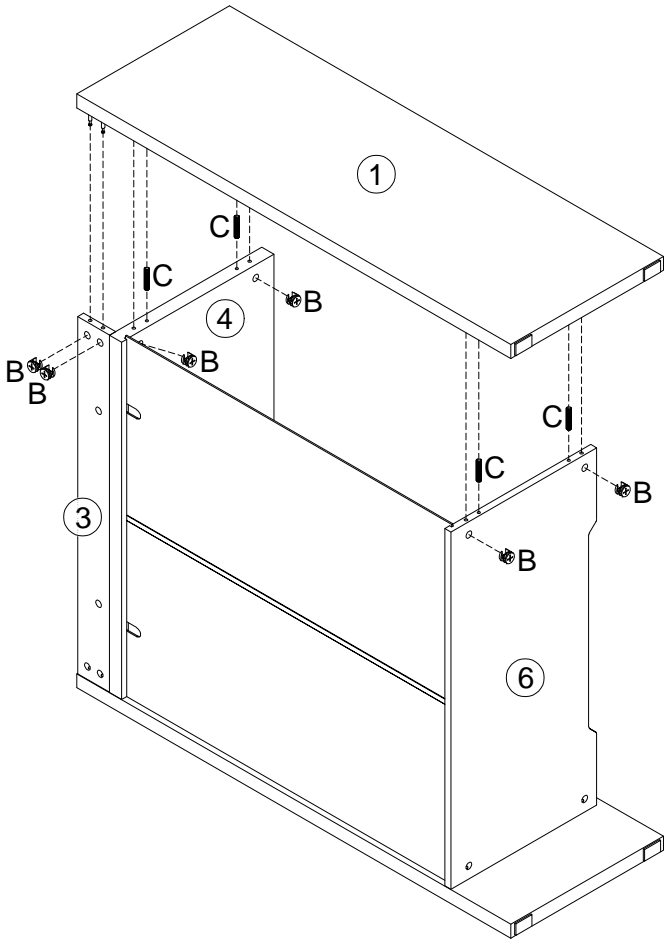
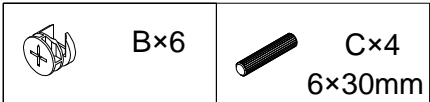
STEP 4






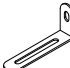
STEP 5

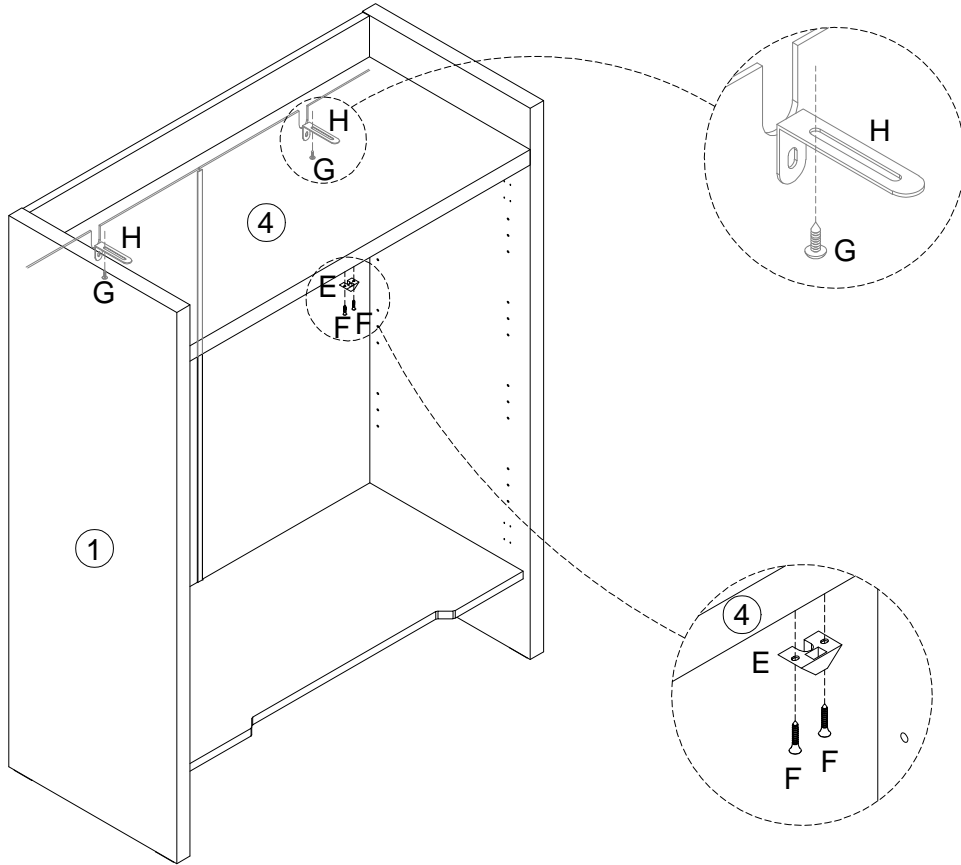


STEP 6




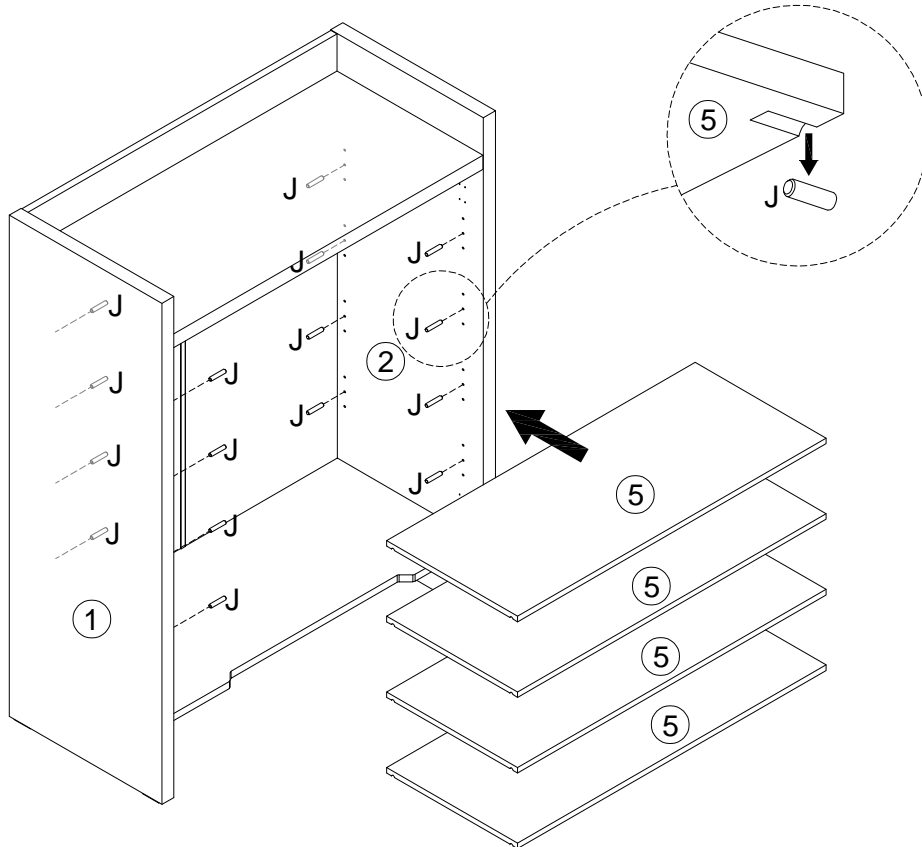
STEP 7

 E×1	 F×2 3×14mm	 G×2 4×12mm	 H×2
---	---	---	--


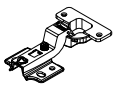




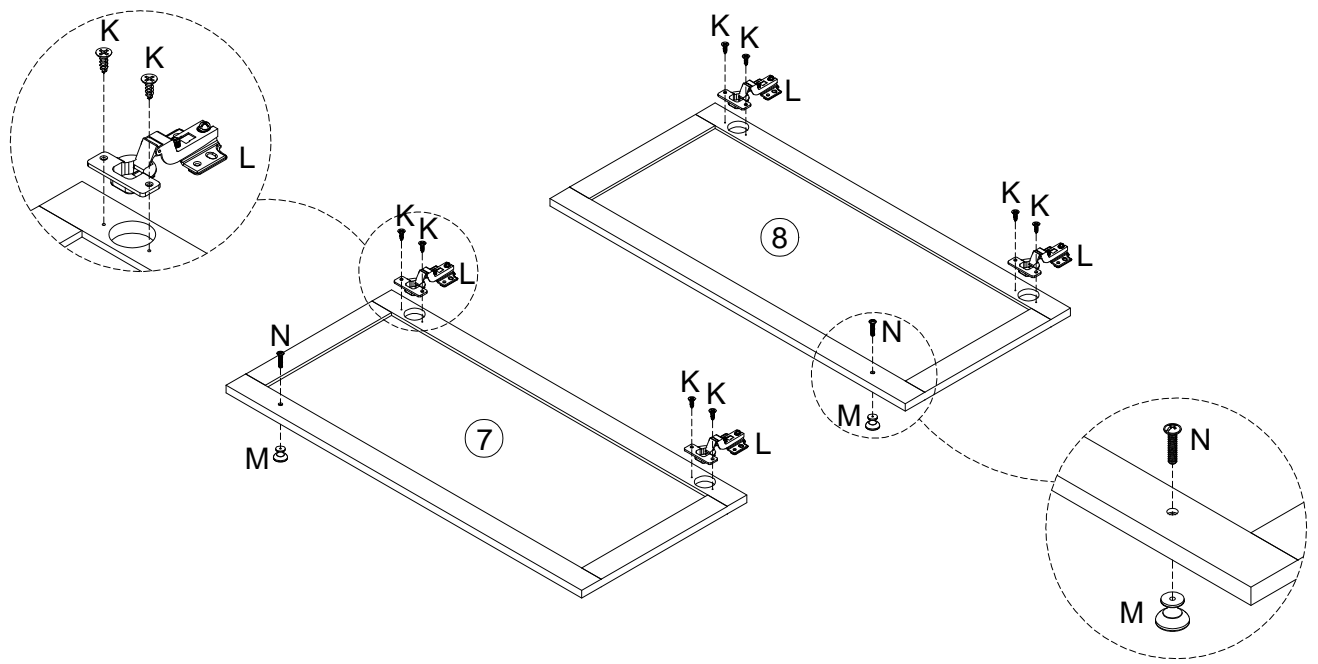
STEP 8

 J×16
--




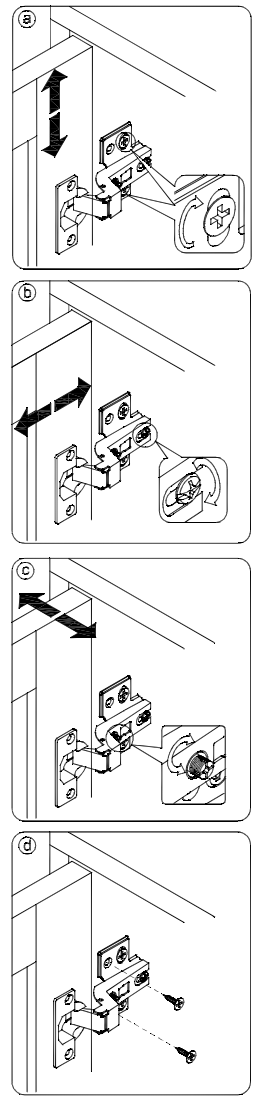
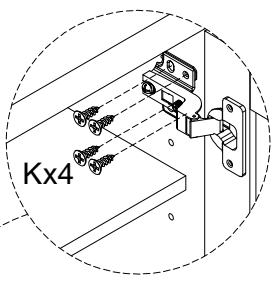
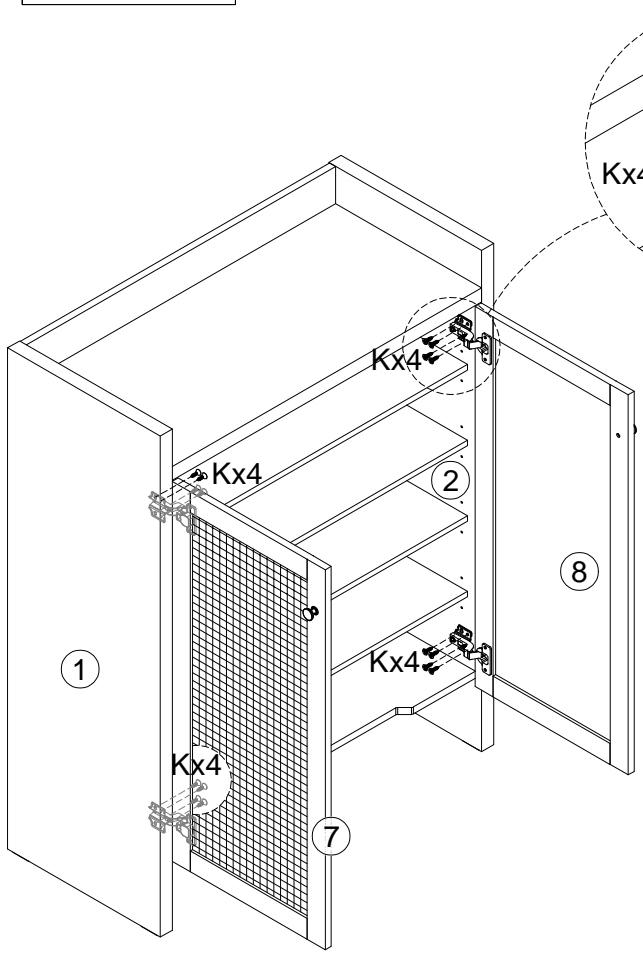
STEP 9

 K×8 4×14mm	 L×4	 M×2	 N×2 4×18mm
---	---	---	--

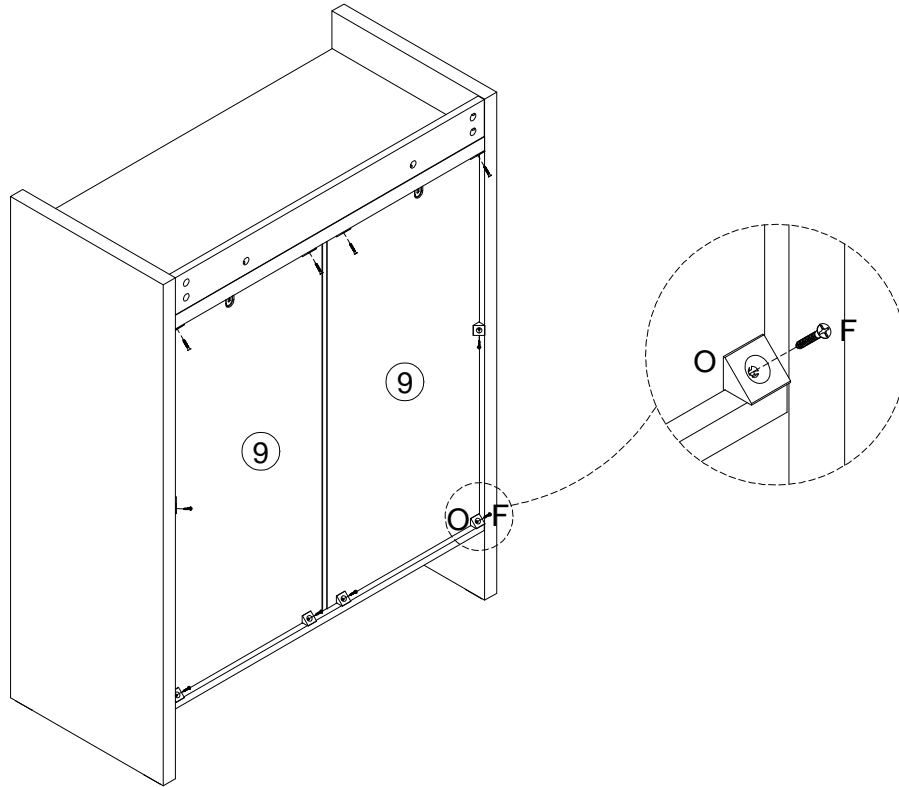
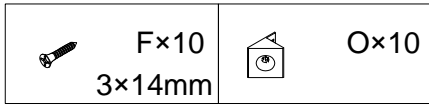


STEP 10

 K×16 4×14mm
--



STEP 11



STEP 12

