

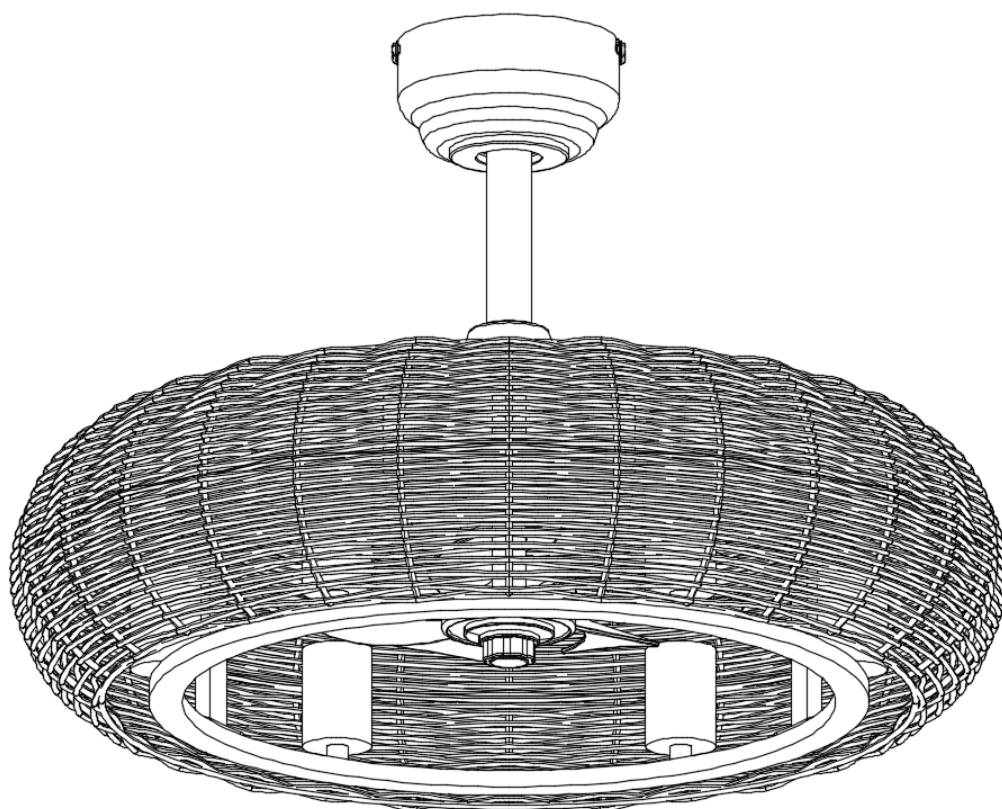
# USE AND CARE GUIDE

23 -INCH RATTAN CEILING FAN

**JY**  
JONATHAN Y

ITEM#:JYL9728

SIZE: 23"D x 10.25"-15.25"-20.25"H



Installation video



# Table of Contents

|                              |   |                                 |    |
|------------------------------|---|---------------------------------|----|
| Table of Contents - - - - -  | 2 | Option 1-2 - - - - -            | 9  |
| Safety Information - - - - - | 2 | Assembly - - - - -              | 11 |
| Warranty - - - - -           | 3 | Use of remote control - - - - - | 13 |
| Pre-Installation - - - - -   | 3 | Care and cleaning - - - - -     | 14 |
| Assembly 1 - - - - -         | 8 | Troubleshooting - - - - -       | 14 |

## Safety Information

### READ AND SAVE THESE INSTRUCTIONS

1. To reduce the risk of electric shock, ensure the electricity has been turned off at the circuit breaker or fuse box before you begin.
2. All wiring must be in accordance with the National Electrical Code ANSI/NFPA 70-1999 and local electrical codes. Electrical installation should be performed by a qualified licensed electrician.
3. The outlet box and support structure must be securely mounted and capable of reliably supporting 35 lbs (15.9 kg). Use only UL Listed outlet boxes marked "Acceptable for Fan Support of 35 lbs (15.9 kg) or less."
4. CAUTION: The fan must be mounted with a minimum of 7 ft. (2.1 m) clearance from the trailing edge of the blades to the floor.
5. Do not operate the reversing switch while the fan blades are in motion. You must turn the fan off and stop the blades before you reverse the blade direction.
6. Do not place objects in the path of the blades.
7. To avoid personal injury or damage to the fan and other items, use caution when working around or cleaning the fan.
8. Electrical diagrams are for reference only. Light kits that are not packed with the fan must be UL-listed and marked suitable for use with the model fan you are installing. Switches must be UL General Use Switches. Refer to the instructions packaged with the light kits and switches for proper assembly.
9. After making electrical connections, spliced conductors should be turned upward and pushed carefully up into the outlet box. The wires should be spread apart with the grounded conductor and the equipment-grounding conductor on one side of the outlet box.
10. All setscrews must be checked and retightened where necessary before installation.



**WARNING:** To reduce the risk of personal injury, do not bend the blade brackets (also referred to as flanges) during assembly or after installation. Do not insert objects in the path of the blades.



**WARNING:** To reduce the risk of fire or electric shock, this fan must be installed with an isolating wall switch.



**WARNING:** To avoid possible electrical shock, turn the electricity off at the main fuse box before wiring. If you feel you do not have enough electrical wiring knowledge or experience, contact a licensed electrician.



**WARNING:** Electrical diagrams are for reference only. Optional use of any light kit shall be UL-listed and marked suitable for use with this fan.



**WARNING:** To reduce the risk of fire, electric shock, or personal injury, mount to outlet box marked "Acceptable for fan support of 35 lbs. (15.9 kg) or less," and use the screws provided with the outlet box.



**WARNING:** To reduce the risk of electrical shock or fire, do not use this fan with any solid-state fan speed control device. It will permanently damage the electronic circuitry.



**CAUTION:** To reduce the risk of personal injury, use only the screws provided with the outlet box.

# Warranty

The supplier warrants the fan motor to be free from defects in workmanship and material present at time of shipment from the factory for a lifetime after the date of purchase by the original purchaser. The supplier also warrants that all other fan parts, excluding any glass or acrylic blades, to be free from defects in workmanship and material at the time of shipment from the factory for a period of one year after the date of purchase by the original purchaser. We agree to correct such defects without charge or at our option replace with a comparable or superior model if the product is returned. To obtain warranty service, you must present a copy of the receipt as proof of purchase. All costs of removing and reinstalling the product are your responsibility. Damage to any part such as by accident or misuse or improper installation or by affixing any accessories, is not covered by this warranty. Because of varying climatic conditions this warranty does not cover any changes in brass finish, including rusting, pitting, corroding, tarnishing, or peeling. Brass finishes of this type give their longest useful life when protected from varying weather conditions. A certain amount of "wobble" is normal and should not be considered a defect. Servicing performed by unauthorized persons shall render the warranty invalid. There is no other express warranty. JONATHAN Y hereby disclaims any and all warranties, including but not limited to those of merchantability and fitness for a particular purpose to the extent permitted by law. The duration of any implied warranty which cannot be disclaimed is limited to the time period as specified in the express warranty. Some states do not allow a limitation on how long an implied warranty lasts, so the above limitation may not apply to you. The retailer shall not be liable for incidental, consequential, or special damages arising out of or in connection with product use or performance except as may otherwise be accorded by law. Some states do not allow the exclusion of incidental or consequential damages, so the above exclusion or limitation may not apply to you. This warranty gives specific legal rights, and you may also have other rights which vary from state to state. This warranty supersedes all prior warranties. Shipping costs for any return of product as part of a claim on the warranty must be paid by the customer.

## PREPARATION

Before beginning assembly of product, make sure all parts are present. Compare parts with package contents list and hardware contents list. If any part is missing or damaged, do not attempt to assemble the product. If there are any questions relating to defects, missing parts, assembly issues, replacements, or device connectivity issues, please send a detailed email to [cs@jonathany.com](mailto:cs@jonathany.com)

## Pre-Installation

### SPECIFICATION

| Size | Speed | Volts | Amps | Watts | RPM  | CFM | Net Weight      | Gross Weight     | Cube Feet |
|------|-------|-------|------|-------|------|-----|-----------------|------------------|-----------|
| 23in | 1     | 120   | 0.05 | 3.0   | 550  | 275 | 11.0lb<br>5.0kg | 16.06lb<br>7.3kg | 2.5cu.ft  |
|      | 2     |       | 0.08 | 5.2   | 648  | 282 |                 |                  |           |
|      | 3     |       | 0.09 | 6.4   | 749  | 294 |                 |                  |           |
|      | 4     |       | 0.13 | 8.5   | 843  | 331 |                 |                  |           |
|      | 5     |       | 0.17 | 11.2  | 941  | 352 |                 |                  |           |
|      | 6     |       | 0.2  | 16.0  | 1035 | 373 |                 |                  |           |

The above data are for reference only, Actually the motor speed of each ceiling fan is a little different. Any products, Subject to actual products as standard.



**NOTE:** These are approximate measures. They do not include the amps and wattage used by the light kit.

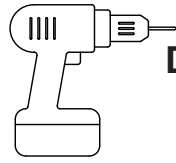
Specifications & measurements shown are subject to +5% variations.

# Pre-Installation(continued)

## TOOLS REQUIRED



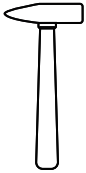
Phillips  
screwdriver



Drill



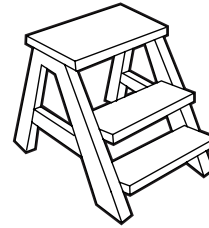
Electrical  
tape



Hammer

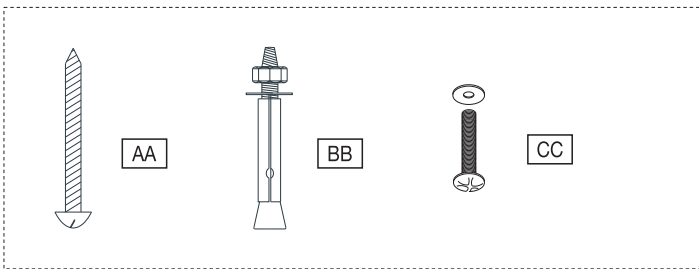


Adjustable  
wrench



Step ladder

## HARDWARE INCLUDED

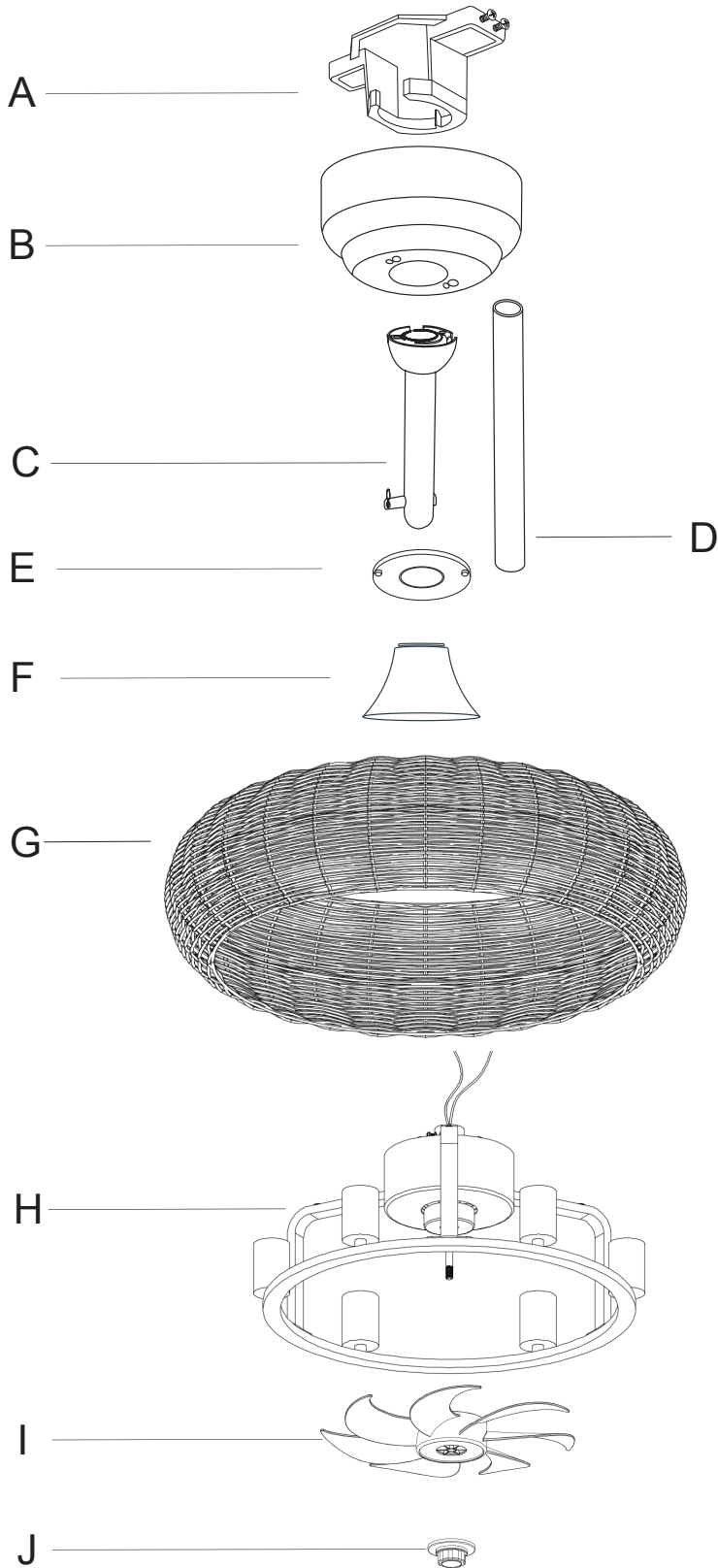



NOTE:Hardware not shown to actual size.

|    |   |   |
|----|---|---|
| AA | Mounting screws                           | 4 |
| BB | Expansion Bolts                           | 2 |
| CC | Mounting screws and cushion (Outlet box)  | 2 |
| DD | Plastic wire nut(not to scale)            | 3 |
| EE | Downrod assenbly set screw (Preassembled) | 3 |
| FF | Ceiling Mounting Screws (Preassembled)    | 3 |
| GG | Lamp shade fixing Screws (Preassembled)   | 3 |

# Pre-Installation(continued)

## PACKAGE CONTENTS

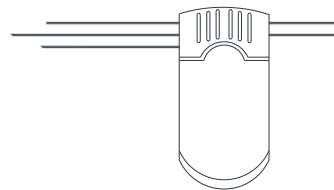


 NOTE: Hardware not shown to actual size.

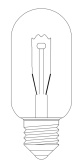
|   |                              |   |
|---|------------------------------|---|
| A | Slide-on mounting bracket    | 1 |
| B | Canopy                       | 1 |
| C | 12.5CM Ball/downrod assembly | 1 |
| D | 25CM Ball/downrod assembly   | 1 |
| E | Canopy Cover                 | 1 |
| F | Coupling Cover               | 1 |
| G | Rattan cover                 | 1 |
| H | Fan-motor assembly           | 1 |
| I | Flabellum                    | 1 |
| J | Fan blade fixed cover        | 1 |
| K | Remote control(Transmitter)  | 1 |
| L | Remote control(Receiver)     | 1 |
| M | lamp bulb                    | 6 |



K



L



M

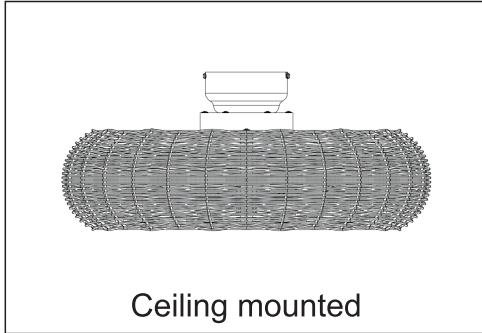
# Installation-Hanging the Fan

Ceiling fans can be installed according to the user's location can be installed in the standard ball, slope ball installation and ceiling installation

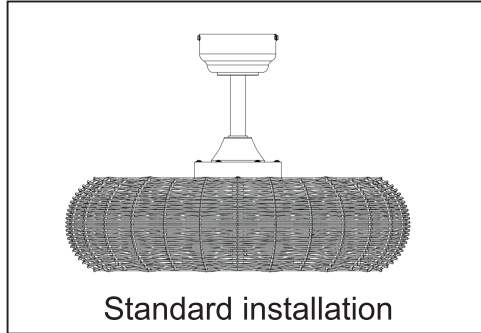
Height for Ceiling Mounted: 10.25"

Height with 5" rod: 15.25"

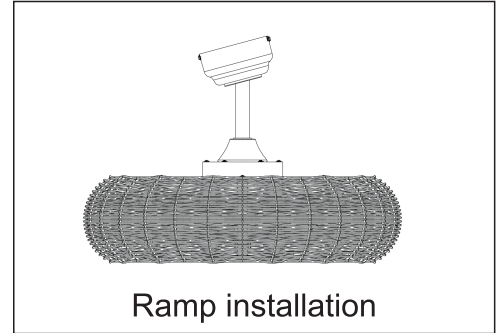
Height with 10" rod: 22.25"



Ceiling mounted



Standard installation



Ramp installation

Standard drop ball installation is suitable for general building installation, ramp drop ball installation is suitable for installation on the inclined plane (inverted as inclined roof). The ceiling type installation is suitable for the lower floor space.

The slope drop ball type installation method is basically the same as the standard drop ball type installation method, except that the location of the hanger installation varies.

## Installation - Hanging bracket

### MOUNTING OPTIONS

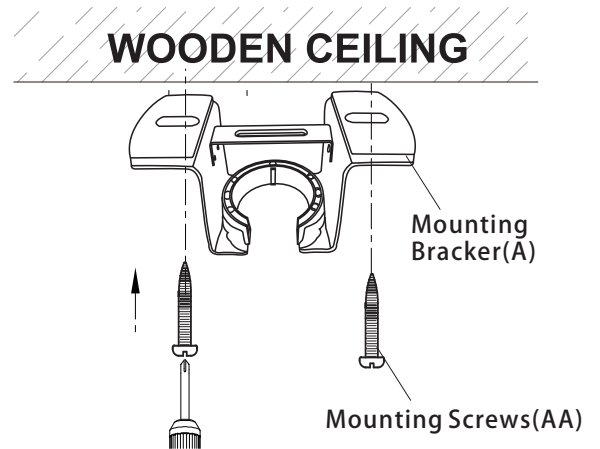
For wooden ceiling, use wood screw to drill on the wooden beam or the "junction box" to fix the hanging bracket (selection is made according to actual requirements of the customers).

#### STEP 1A-WOODEN CEILING

SWITCH OFF THE ELECTRICAL MAINS AT THE CIRCUIT BREAKER FUSE BOX.

- 1) Use the Mounting Bracket (A) as a guide, mark the spots where the 2 Self Mounting Screws (AA) will be drilled.
- 2) Remove the Mounting Bracket (A), drill 2 holes for 3MM diameter, install the mounting bracket onto wooden ceiling with the 2 Self Mounting Screws (AA).

▲ **IMPORTANT: SCREWS MUST BE TIGHTENED TILL SNUG**



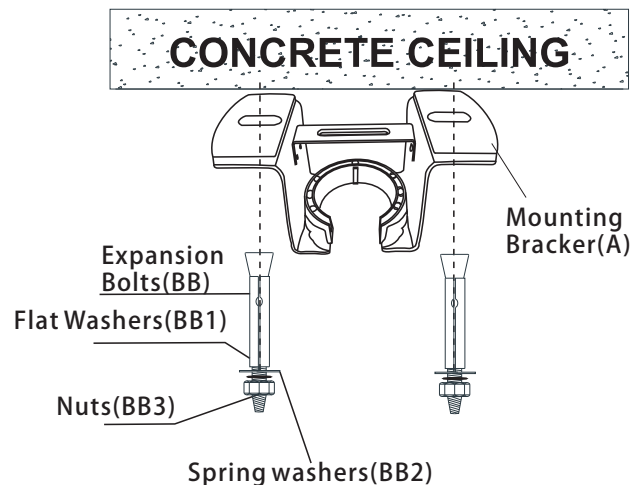
For concrete ceiling, use the percussion bit with diameter 8mm to drill holes according to the length of expansion screws. Then use the attached expansion screws to fix the hanging bracket onto the ceiling (selection is made according to actual requirements of the customers)

#### STEP 2A-CONCRETE CEILING

SWITCH OFF THE ELECTRICAL MAINS AT THE CIRCUIT BREAKER FUSE BOX.

- 1) Use the Mounting Bracket (A) as a guide, mark the spots where the 2 Expansion Bolts (BB) will be drilled.
- 2) Remove the Mounting Bracket (A). Drill 2 holes for 8MM diameter and insert 2 Expansion Bolts (BB) into the concrete ceiling, install the mounting bracket and secure with Flat Washers (BB1), Spring Washers (BB2) and Nuts (BB3)

▲ **IMPORTANT: SCREWS MUST BE TIGHTENED TILL SNUG**



# Installation - Hanging bracket(continued)

## MOUNTING OPTIONS

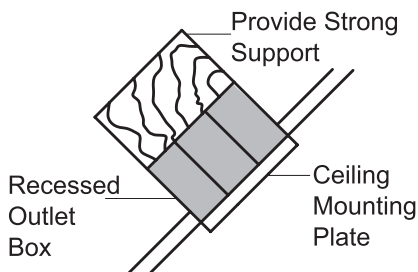
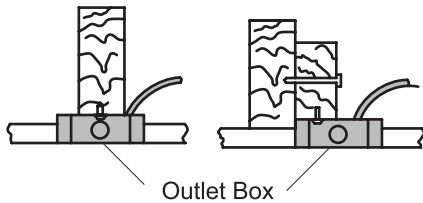
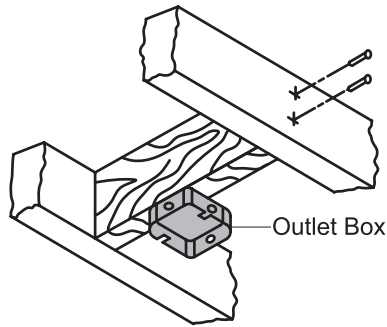


**WARNING:** To reduce the risk of fire, electric shock or personal injury, mount to an outlet box marked "Acceptable for fan support of 35 lbs. (15.9 kg) or less," and use the screws provided with the outlet box. An outlet box commonly used for the support of lighting fixtures may not be acceptable for fan support and may need to be replaced. If in doubt, consult a qualified electrician.

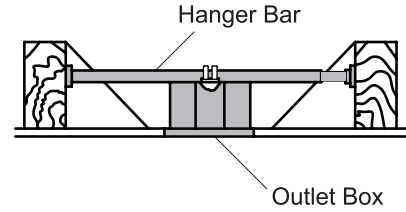
If your ceiling fan does not have an existing UL mounting box, then install one using the following instructions:

- Disconnect the power by removing the fuses or turning off the circuit breakers.
- Secure the outlet box directly to the building structure. Use the appropriate fasteners and materials. The outlet box and its bracing must be able to fully support the weight of the moving fan (at least 35 lbs.). Do not use a plastic outlet box.

The illustrations below show three different ways to mount the outlet box.



**NOTE :** You may need a longer downrod to maintain proper blade clearance when installing on a steep, sloped ceiling. The maximum angle allowable is 20° away from horizontal.



If the canopy (B) touches the ball/downrod assembly (C), then remove the decorative canopy bottom cover and turn the canopy (C) 180° before attaching the canopy (B) to the mounting plate.

To hang your fan where there is an existing fixture but no ceiling joist, you may need an installation hanger bar as shown above

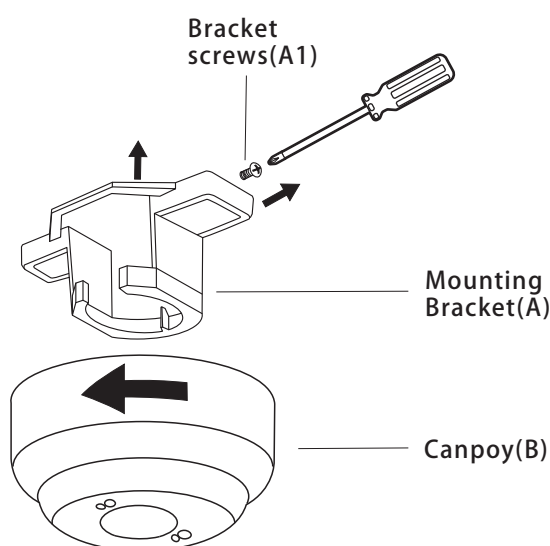
# Assembly1-Standard Ceiling Mount

## 1.Preparing for standard mounting



**NOTE:** The magnet is pre-attached on the canopy bottom cover for you to remove and install easily.

- Loosen the two canopy screws (A1) located on the side of the mounting bracket (A), and turn the canopy counter clockwise to remove the mounting bracket (A) from the canopy (B).



## 2.Attaching the fan to the electrical box

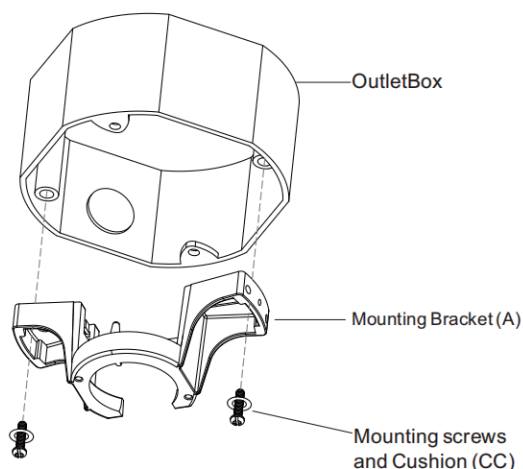


**WARNING:** To reduce the risk of fire, electric shock or personal injury, mount to an outlet box marked "Acceptable for fan support of 35 lbs.(15.9 kg) or less," and use the screws provided with the outlet box.



to slide into place on an outlet box with the outlet box screws(CC)

- Pass the 120-Volt supply wires through the center hole in the slide-on mounting bracket (A).
- Install the mounting bracket (A) on the outlet box by the two screws(CC) provided with the outlet box.
- Securely tighten the two mounting screws (CC).

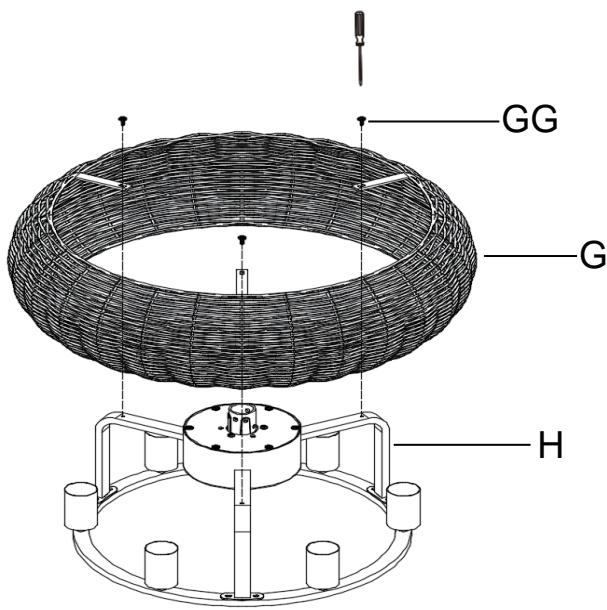


# Option 1-Flushmount installation (continued)


## 3. Install shade

Remove the three screws (GG) from the Fan-motor assembly(H).

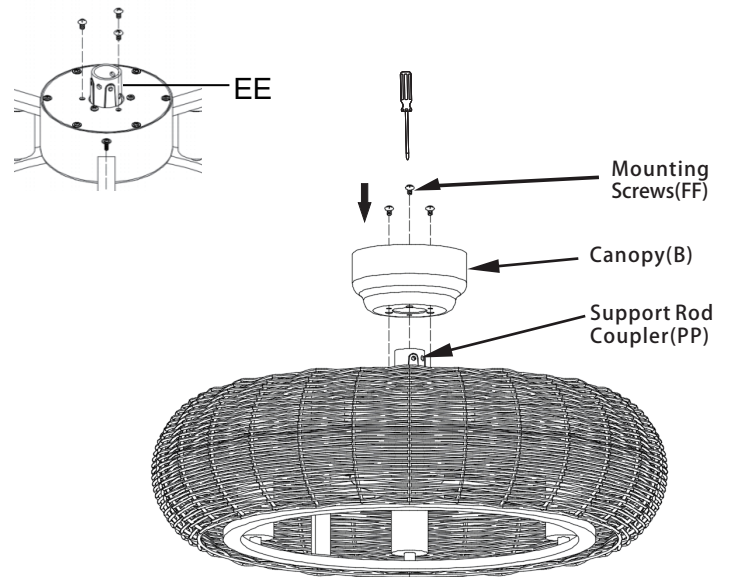
Align the three holes on the rattan cover (G) with the holes on the fan-motor assembly (H) and Lock it with screws(GG).




## 4. Install flushmount assembly

 NOTE: If lifting is required, skip step 4-5; if flushmount installation is required, skip step 6-8;

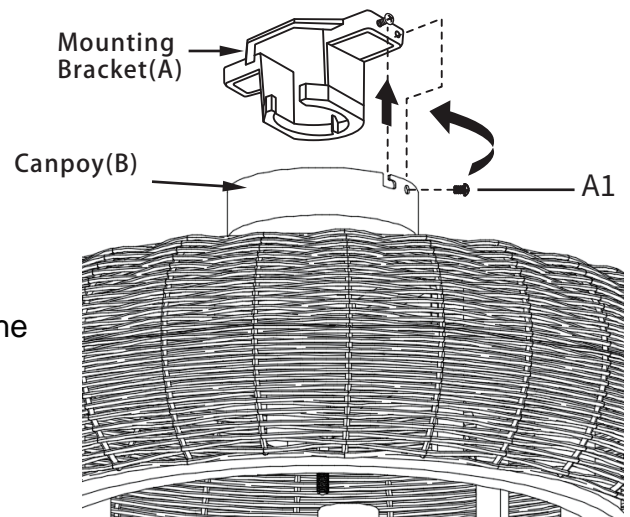
- Loosen the Set Screws ( EE ) in the Support Rod Coupler ( PP ) located on the top center of the motor housing until the inside channel is clear.
- Remove and save the larger three mounting screws (FF) from the connector.
- Place the Canopy(B) on the top of the motor housing, align the three small holes of the Canopy ( B ) with the holes where the screws were just removed, and secure with the three Mounting Screws(FF).



## 5. Flushmount Installation


 NOTE: Before installing the canopy, wire it first, refer to step 9 on page 11 for wiring reference

Slide the canopy up into place over the ceiling Mounting Bracket(A). Loosen up the canopy screws(A1) on the side of the canopy. Press the canopy (B) against the mounting bracket and turn it clockwise. Tighten screws on the J slots and install the two screws(A1) in the remaining holes.

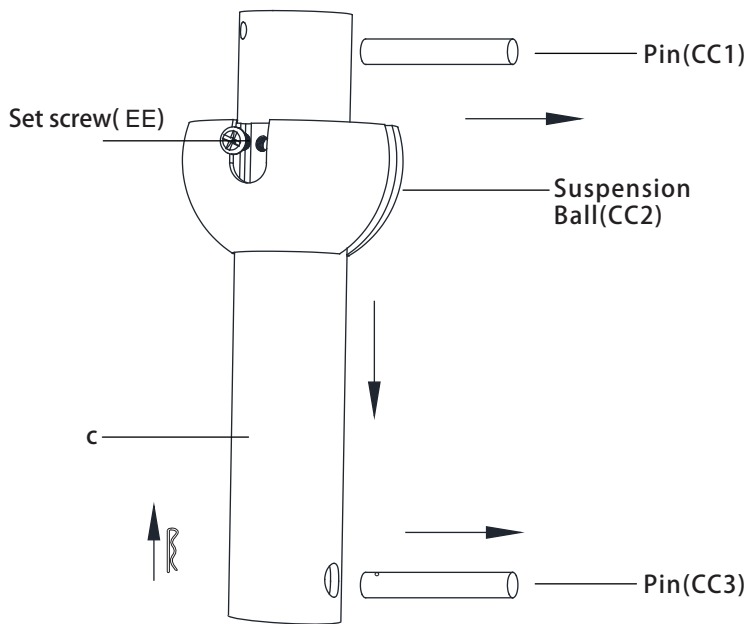


# Option 2-The Downrod installation(continued)


## 6.Remove the suspension ball

 NOTE: If lifting is required, skip step 4-5; if flushmount installation is required, skip step 6-8;

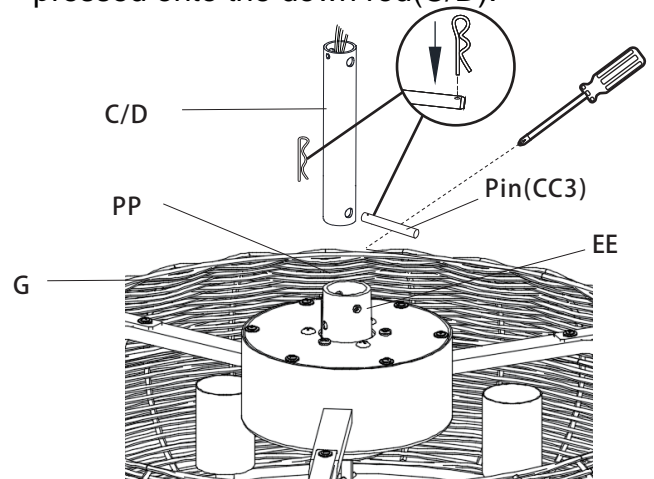
- Remove the Suspension Ball(CC2) from the Downrod assembly(C) by loosening the set screw (EE) and removing R-shaped clips, the metal Pin(CC1) and Pin (CC3) as shown. Keep the disassembled parts for spare.




## 7.Install Suspension rod

 NOTE: Equipped with two long and short suspension rods (C) and (D) for installation. Choose one according to your own needs.

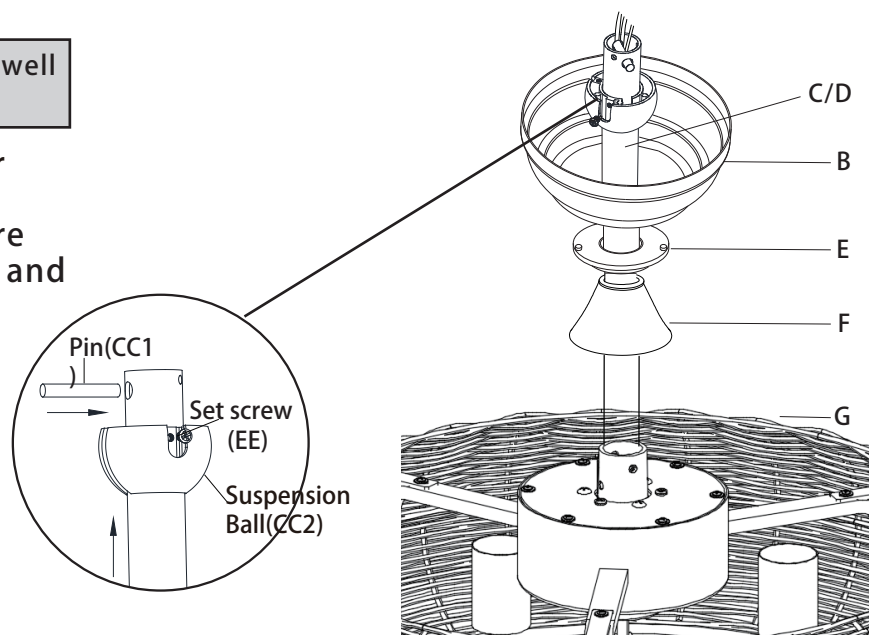
- Thread the top outlet wire of the Fan Motor Assembly (G) through the downrod pole (C/D).
- Loosen the Set Screw (EE) on the top motor ring (PP) of the fan motor assembly (G) and remove the Pin (CC3).
- Install the down rod (C/D), insert the down rod (C/D) into the motor coupling (PP), and secure it with a metal Pin (CC3). Secure with R-shaped clips
- Tighten the Set Screw(EE) on the motor ring (PP) again, so that the set screw(EE) is firmly pressed onto the down rod(C/D).



## 8.Assembling the fan

 WARNING: make sure the pin installed well on hanger ball with downrod

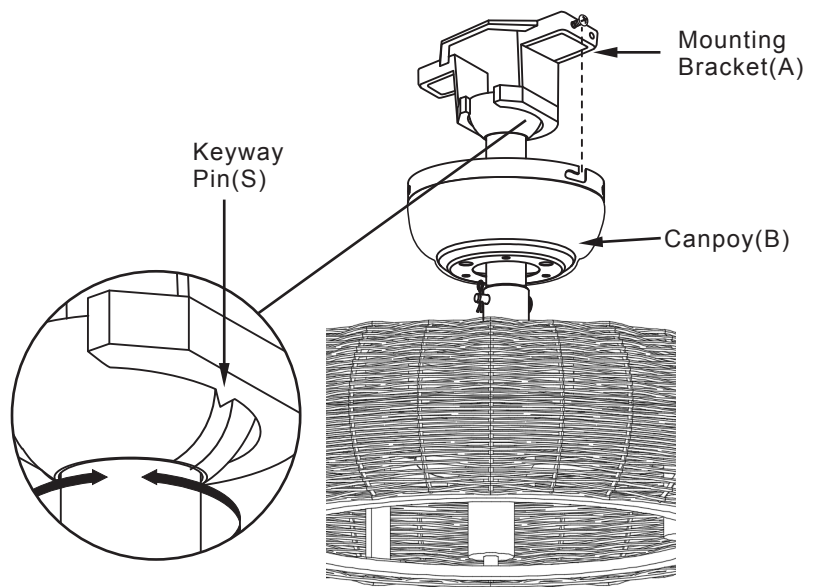
- Place the Coupling (F), Canopy cover (E), and Canopy (B) on the lead and Downrod assembly (C/D). Secure the suspension ball with a pin (CC1) and a set screw(EE). Tighten the set screw to secure the Downrod assembly(C/D).



# Assembly-Hanging the Fan

## 9. Hanging the fan

- Notice the half ball on the end of the Support Rod is grooved down one side. This key way fits over the small Keyway Pin(S) on the inside of the Mounting Bracket(A) and keeps the ceiling fan from spinning on the Mounting Bracket(A).
- Using your step ladder, lift the fan and place the half ball in the center of the Mounting Bracket(A) with the Keyway Pin(S) inserted into the keyway on the ball. Turn the fan left and right slightly to make sure it is seated on the bracket with the Keyway Pin(S) in the keyway.



## 10. Wire connection

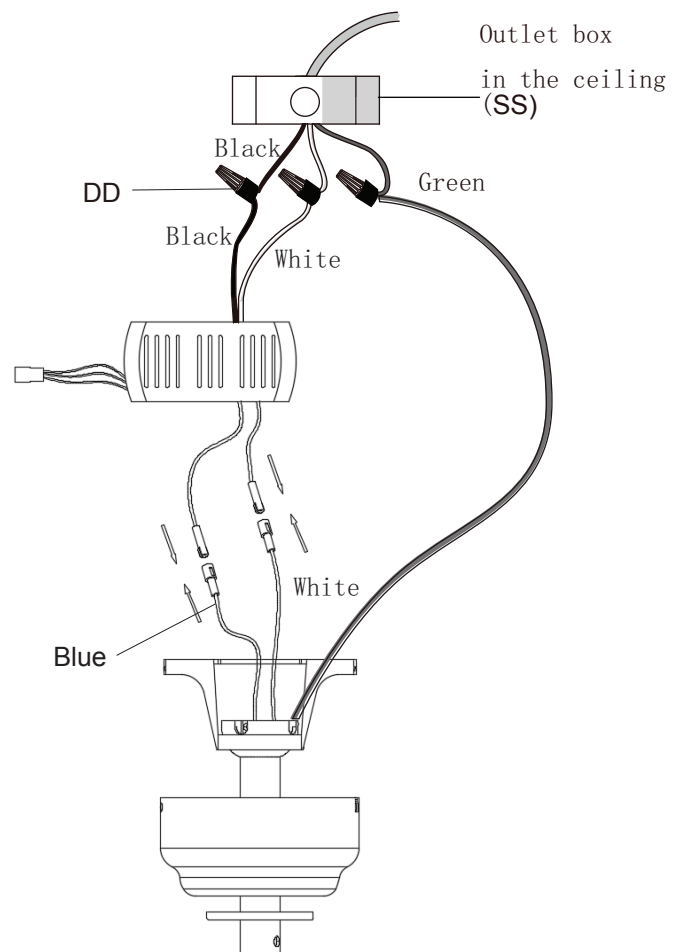


**WARNING:** To avoid possible electrical shock, turn the electricity off at the main fuse box before wiring. If you feel you do not have enough electrical wiring knowledge or experience, contact a licensed electrician.



**WARNING:** Each wire nut supplied with this fan is designed to accept up to one 12-gauge house wire and two wires from the fan. If you have larger than 12-gauge house wiring, or more than one house wire to connect to the fan wiring, consult an electrician for the proper size wire nuts to use.

- Spread the wires apart so that the green and white wires are on one side of the outlet box and the black wire is on the other side.
- Connect the green fan wires to the household ground wire (this may be a green or bare wire) using a wire connecting nut (DD).
- Connect the receiver (N) black or red wire to the household black (hot) wire using a wire connecting nut (DD).
- Connect the receiver (N) white wire to the household white wire (neutral) using a wire connecting nut (DD).
- Secure each wire connecting nut using electrical tape.

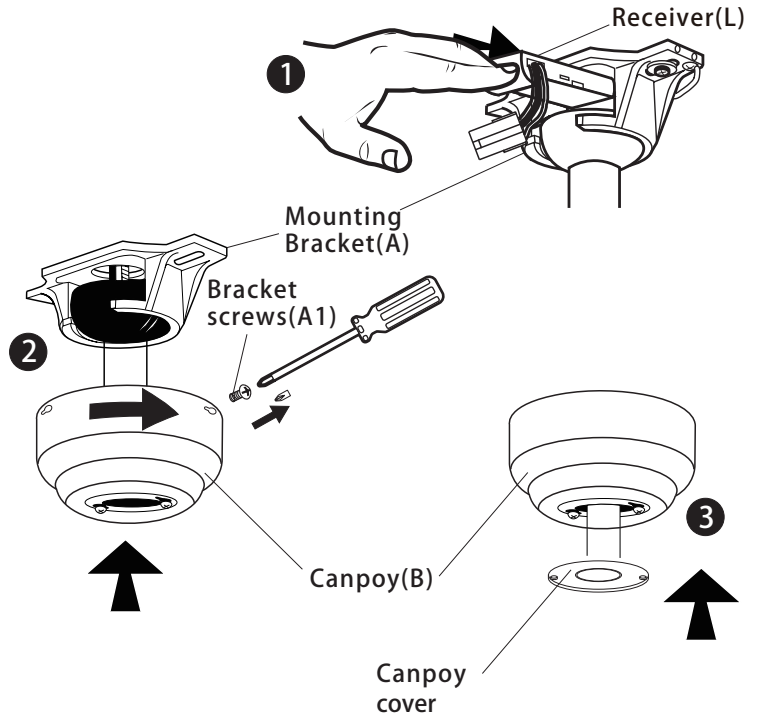


**Electrical tape**

# Assembly-Hanging the Fan(continued)

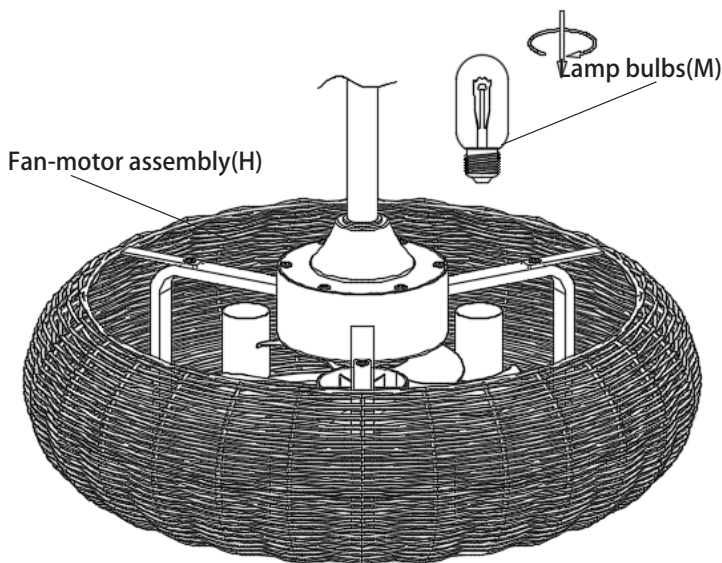
## 11. Install remote control

- Place the Receiver(L) on the Mounting Bracket(A)
- Carefully push the Canopy(B) to the bottom of the Mounting Bracket(A), make two sliding holes aligned to the two prominent screws on the Mounting Bracket(A), and then turn clockwise until tight.
- Push the canopy cover to the bottom of the Canopy(B).



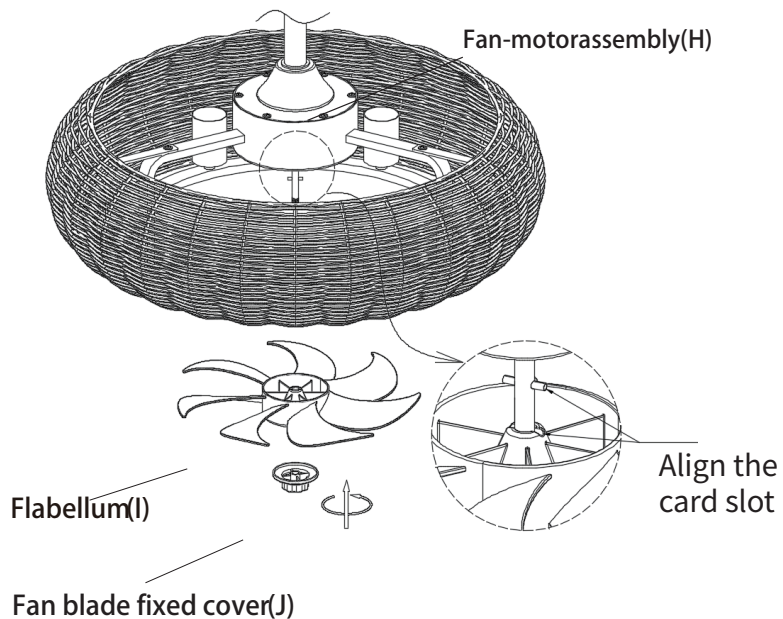
## 12. Attaching the lamp bulbs

- Take out three lamp bulbs (M) from the packaging box and install them on the lamp holders inside the Fan-motor assembly(H). Rotate them clockwise to install and tighten the lamp bulbs(M).
- Please use Type "A" bulb MAX 40-watt or led bulb MAX 9-watt ,there is led 4-watt bulb in the box .













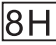


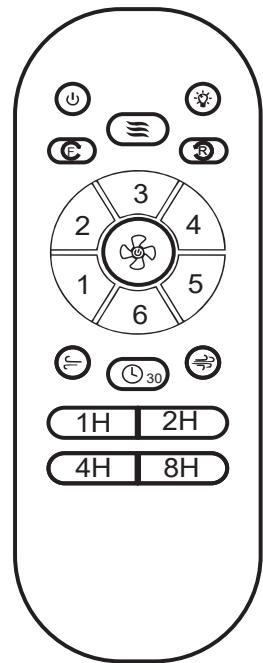
## 13. Attaching the Flabellum

Align the slot of the flabellum(I) to the latch of the motor shaft, insert it, then screw the fan blade fixed cover (J) counterclockwise to tight.





# Use of remote control

-  Light & Fan all OFF
-  Light ON/OFF
-  Natural Wind
-  Forward
-  Reverse
- 1-6 Fan Speed
-  Fan Off
-  Fan speed reduced
-  Fan speed increased
-  Timed 30 minutes off
-  Auto off after 1hr
-  Auto off after 2hr
-  Auto off after 4hr
-  Auto off after 8hr

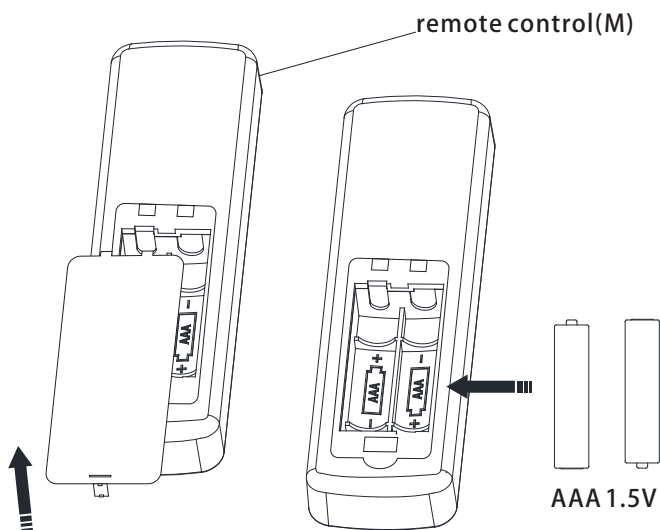


## Preparing the remote control


 NOTE: The frequencies on your receiver and remote control have been preset at the factory.

 NOTE: The battery will weaken with age and should be replaced before leaking takes place, as battery leakage damages the hand unit. Dispose of the used battery properly and keep the battery out of the reach of children.

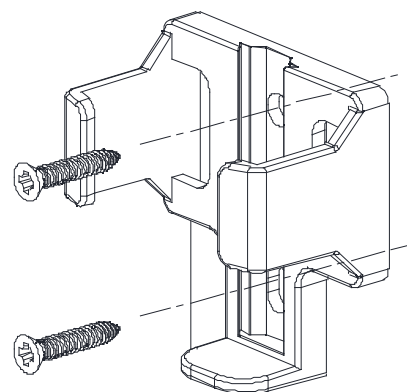
- Remove the remote control(K) batter cover by pressing firmly on the arrow and sliding the cover off.
- Install two 1.5V AAA batteries (do not included)
- Replace the battery cover on the remote control(K).



## Installing remote control bracket

 NOTE: Screw wall anchors are included for extra support. The included screws are designed to screw easily into the wall. If you would like a more permanent or secure hold, install the wallanchors prior to attaching the wall cradle to the wall.

- Position the wall cradle in the desired position and attach it to the wall using the included wall cradle screws.



# Use of intelligent remote control

- Pairing JONATHAN Y Mobile APP  
Scan the QR code to download the "JONATHAN Y " APP

- a.Download and install the "JONATHAN Y" Mobile app.
  - b.Open applications and accept privacy policies.
  - c.Create a new account.
  - d.Select the " +" button in the upper right corner of the screen.
  - e.Select add device and activate your location.
  - f.Open Bluetooth add device to discover device connection addition.
  - g.Alternatively , under " Manually add " , select "Home appliances" and choose " Fan ( Wi-fi)".
  - h.Connect to the 2.4 ghz WI-FI network, and then continue toselect "Next".
  - i.Continue with the steps indicated by the application.
  - j.After registering, the device will return to the home page where you can find the connected fan.
- #WiFi reset operation:power-on long press "Light" button do not put,hear buzzer sound 3, reset successfully.

## SPECIFICATIONS

|                           |                                     |
|---------------------------|-------------------------------------|
| Applications              | Light/Fan                           |
| Operating Voltage         | 110V/120V Depending on model        |
| Max load Power            | <300W Ceiling Fan / <200W LED Light |
| Standby Power Consumption | <0.5 W                              |
| Working Temperature       | -20°C~80°C                          |
| Control Method            | Remote control & Mobile App Control |
| Wiring Method             | Live Wire & Neutral Wire            |

# Intelligent function

In addition to the included control , you can operate your fan with the JONATHAN Y app.

## Upgradeable with Smart Features

Scan the code to the right with your phone to find out how you can enable smart features through the JONATHAN Y app and integrate with your smart home ecosystem.

1. To use the JONATHAN Y app , download it from the App Store or Google Play.
2. Open the app to create your account . You can also log in using your Facebook or Google account.
- 3.To set up a Wi-Fi connection you will need the SSID and Wi-Fi password for the network you wish to connect to.
4. You will receive a prompt to name your fan device and upload an optional picture of it if you choose.



# Care and Cleaning



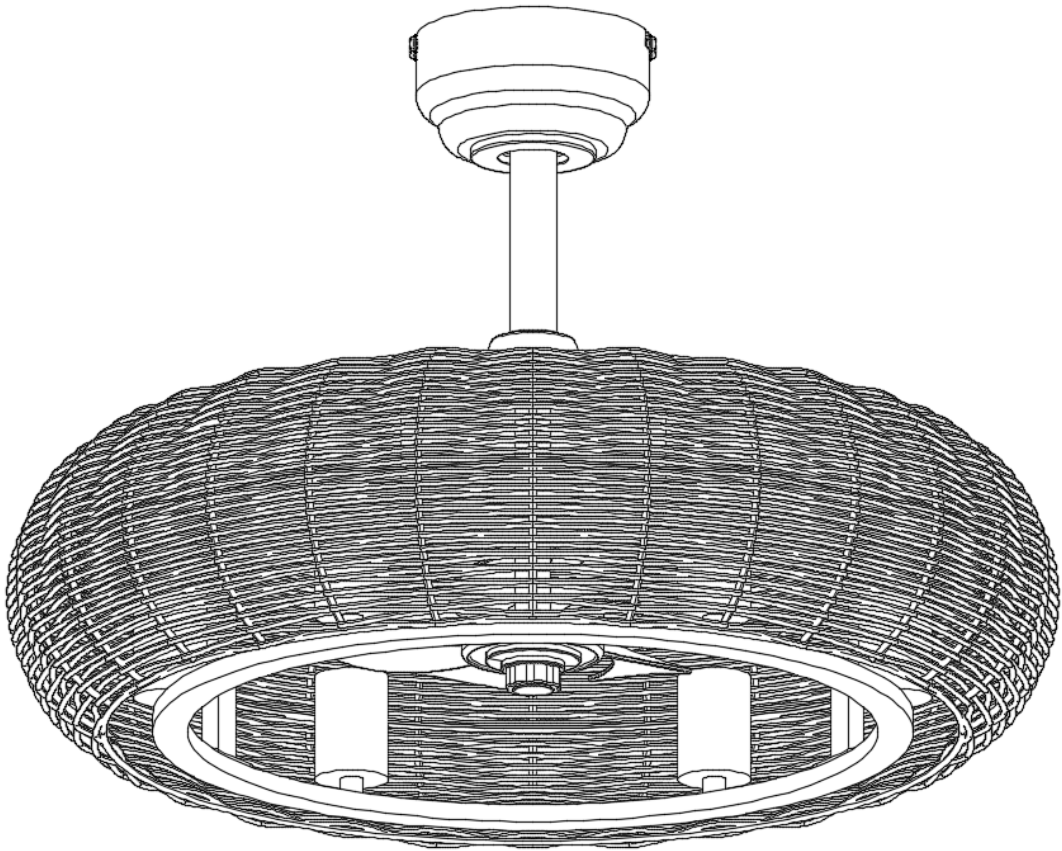
**WARNING:** Make sure the power is off before cleaning your fan.

- Because of the fan's natural movement, some connections may become loose. Check the support connections, brackets, and blade attachments twice a year. Make sure they are secure. It is not necessary to remove the fan from the ceiling.
- Clean your fan periodically to help maintain its new appearance over the years. Do not use water when cleaning, as this could damage the motor or the wood, or possibly cause an electrical shock. Use only a soft brush or lint-free cloth to avoid scratching the finish. The plating is sealed with a lacquer to minimize discoloration or tarnishing.
- You can apply a light coat of furniture polish to the wood for additional protection and enhanced beauty. Cover small scratches with a light application of shoe polish.
- You do not need to oil your fan. The motor has permanently-lubricated sealed ball bearings.

# Troubleshooting

| Problem                 | Solution   |
|-------------------------|--|
| The fan will not start. | <ul style="list-style-type: none"> <li><input type="checkbox"/> Check the main and branch circuit fuses or breakers.</li> <li><input type="checkbox"/> Check the line wire connections to the fan and switch wire connections in the switch housing.</li> </ul>  |
| The fan will not start. | <ul style="list-style-type: none"> <li><input type="checkbox"/> Ensure all motor housing screws are snug.</li> <li><input type="checkbox"/> Ensure the screws that attach the fan blade bracket to the motor hub are tight.</li> <li><input type="checkbox"/> Ensure the wire nut connections are not rattling against each other or the interior wall of the switch housing.</li> <li><input type="checkbox"/> Allow a 24-hour "breaking in" period. Most noises associated with a new fan disappear during this time.</li> <li><input type="checkbox"/> If you are using the Ceiling Fan light kit, ensure the screws securing the glassware are tight. Check that the light bulbs are also secure.</li> <li><input type="checkbox"/> Ensure the canopy is a short distance from the ceiling. It should not touch the ceiling.</li> <li><input type="checkbox"/> Ensure your outlet box is secure and rubber isolator pads were used between the mounting plate and outlet box.</li> </ul> |
| The fan wobbles.        | <ul style="list-style-type: none"> <li><input type="checkbox"/> Check that all blade and blade arm screws are secure.</li> <li><input type="checkbox"/> Most fan wobble problems are caused when blade levels are unequal. Check this level by selecting a point on the ceiling above the tip of one of the blades. Measure from a point on the center of each blade to the point on the ceiling. Measure this distance. Rotate the fan until the next blade is positioned for measurement. Repeat for each blade. Any measurement deviation should be within 1/8 in. Run the fan for ten minutes. If the fan continues to wobble please refer the page 10</li> </ul>  |

Remote control fan



**USE AND CARE GUIDE**

23 -INCH RATTAN CEILING FAN