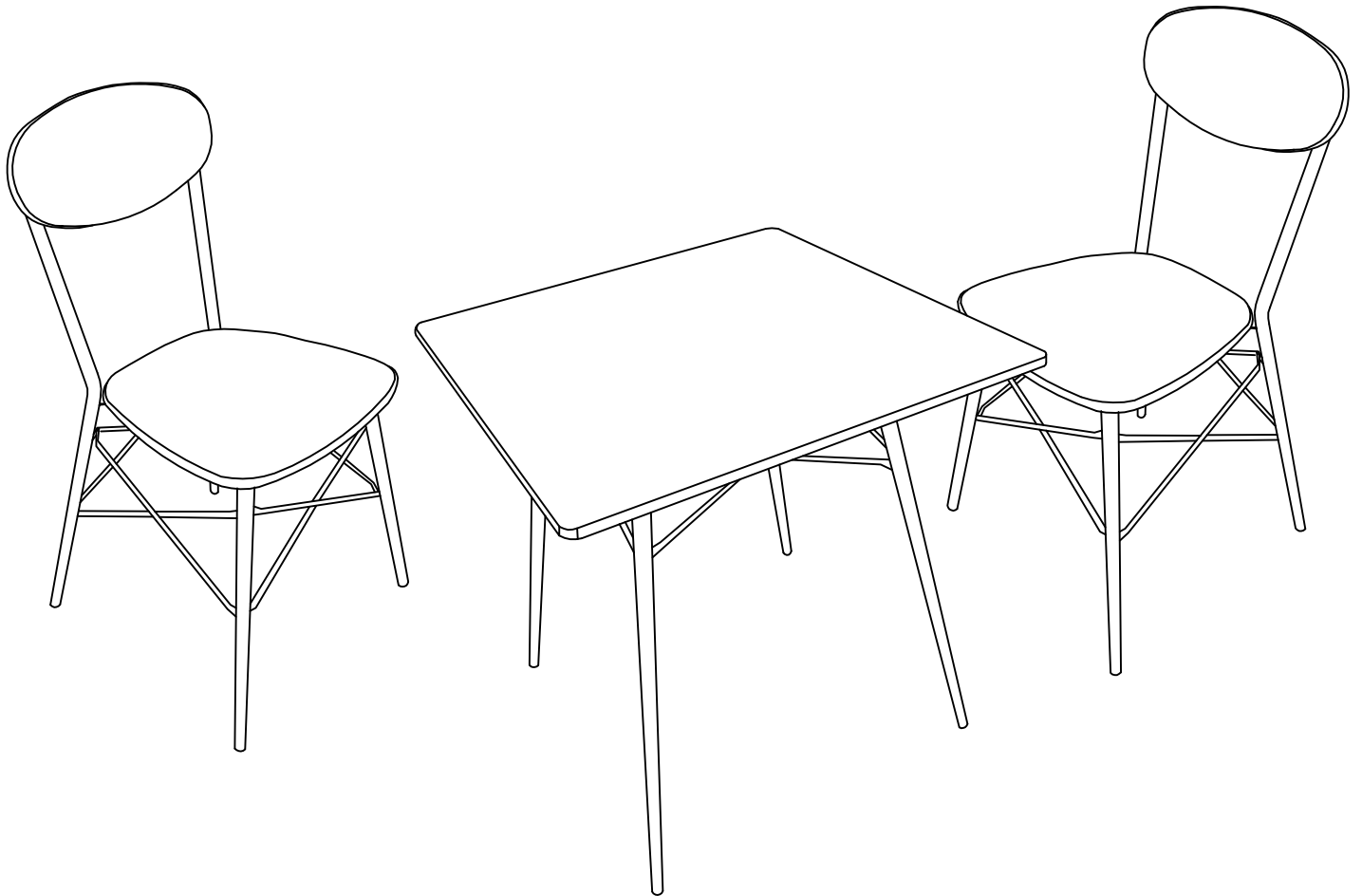


ASSEMBLY INSTRUCTIONS

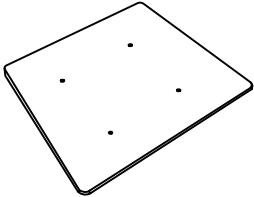
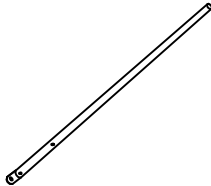
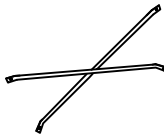


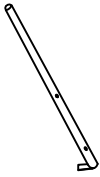

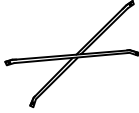

3 PC Dinette Set



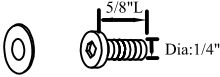
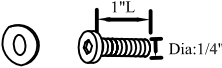
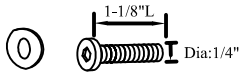

NOTE TO CUSTOMERS:

- For ease and speed of assembly we recommend that before you commence each step of the assembly that you identify all the parts required to complete that step.
- We recommend that where possible you allow sufficient space to assemble the item as close as possible to the place where it will be once assembled.
- For the protection of your furniture we recommend that the product is placed on protected surfaces during assembly to prevent any damage.
- During assembly do not over tighten, as this may damage the product.
- Please ensure you retain all the product packaging until the item completely assembled.
- Please periodically check all fittings and re-tighten as necessary.
- Never allow any liquids to remain on your furniture as absorption can cause the wood to warp or the finish to de-laminate.
- It is recommended that this item should be assembled by two adults.


Part List

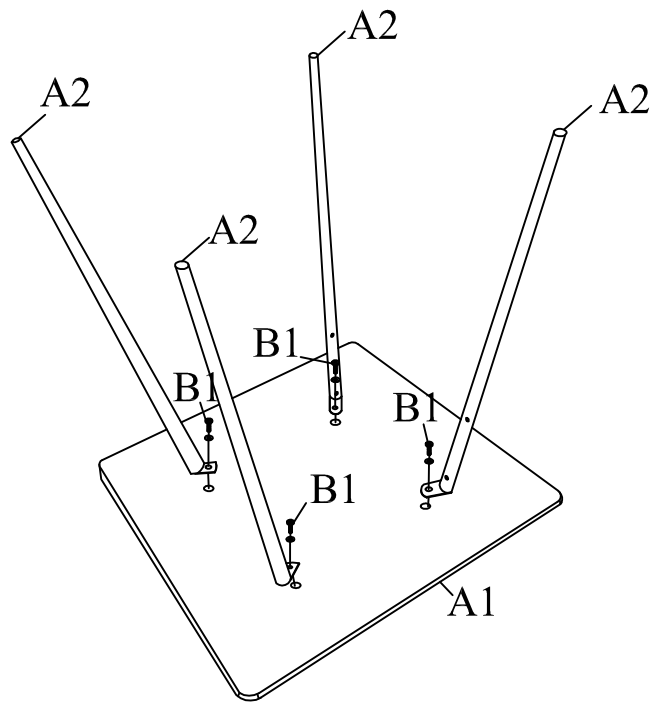
| | | | |
|--|---|---|---|
| <p>A1. Quantity of 1</p>  <p>Top Panel-Table</p> | <p>A2. Quantity of 4</p>  <p>Leg-Table</p> | <p>A3. Quantity of 4</p>  <p>Connect Bar-Table</p> | <p>A4. Quantity of 2</p>  <p>Seat Panel-Chair</p> |
| <p>A5. Quantity of 2</p>  <p>Back Panel-Chair</p> | <p>A6. Quantity of 4</p>  <p>Front Leg-Chair</p> | <p>A7. Quantity of 2</p>  <p>Left Back Leg-Chair</p> | <p>A8. Quantity of 8</p>  <p>Connect Bar-Chair</p> |
| <p>A9. Quantity of 2</p>  <p>Right Back Leg-Chair</p> | | | |

Hardware List

| | | |
|---|--|--|
| <p>B1. Quantity of 36</p>  <p>Bolt with Washer</p> | <p>B2. Quantity of 4</p>  <p>Bolt with Washer</p> | <p>B3. Quantity of 4</p>  <p>Bolt with Washer</p> |
|  <p>Allen Wrench</p> | | |


STEP 1

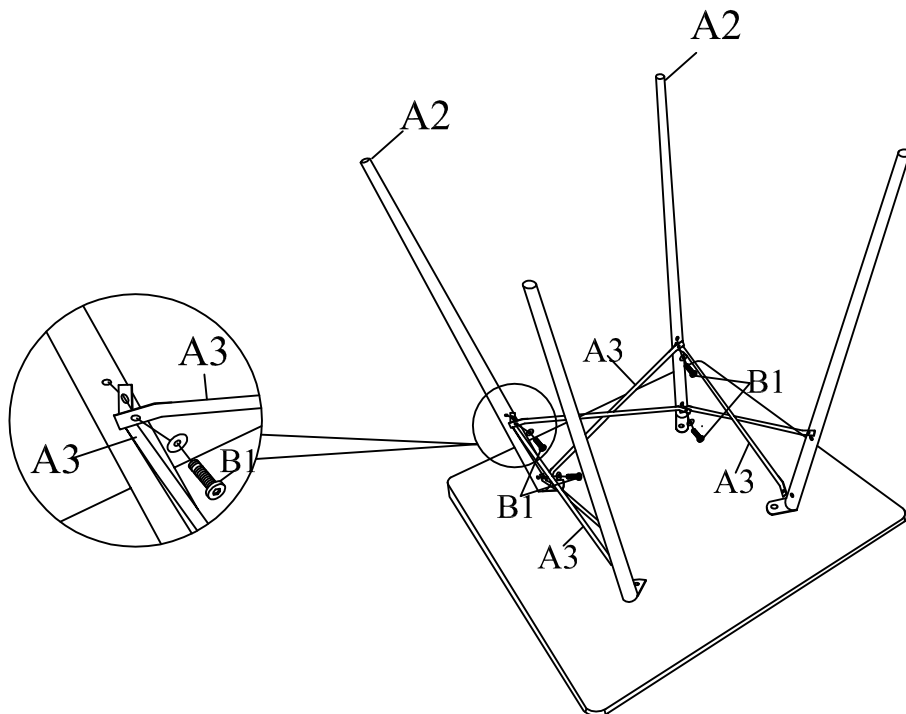
B1  4sets



Assemble Legs A2 to Top Panel A1 using Bolt with Washers B1.
Noted: Please do not tighten Bolts B1 until Step 3.



STEP 2

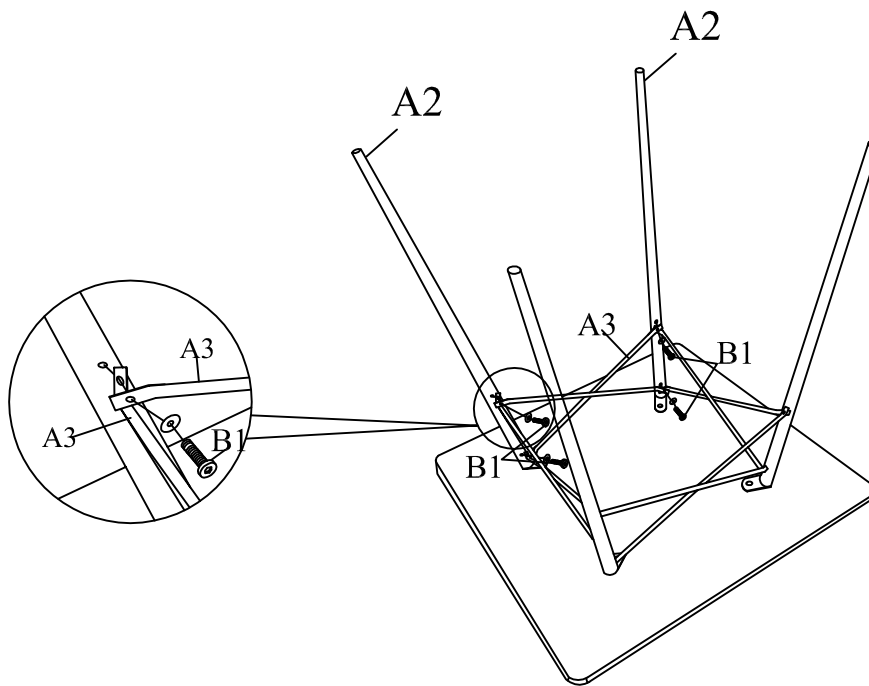
B1  4sets



Assemble 3 pieces Connect Bars A3 to Legs A2 using Bolt with Washers B1 as shown above.
Noted: Please do not tighten Bolts B1 until Step 3.



STEP 3

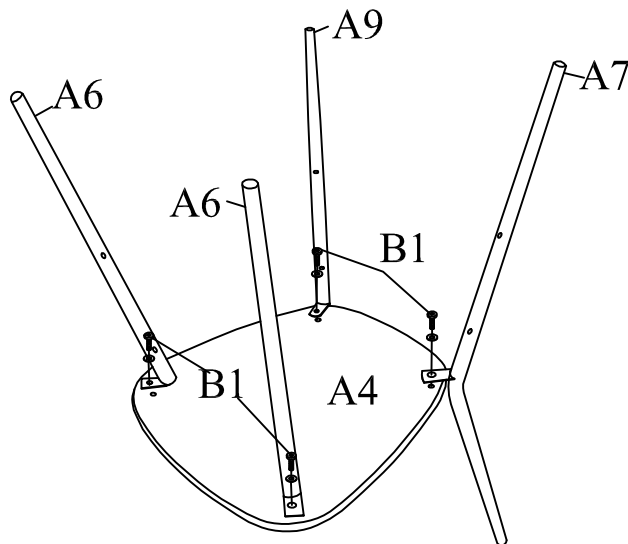
B1   4sets



Assemble the other Connect Bars A3 to Legs A2 using Bolt with Washers B1 as shown above.
Noted:Place the table on the floor and check if it is stable before tightening all bolts.

STEP 4


B1   8sets

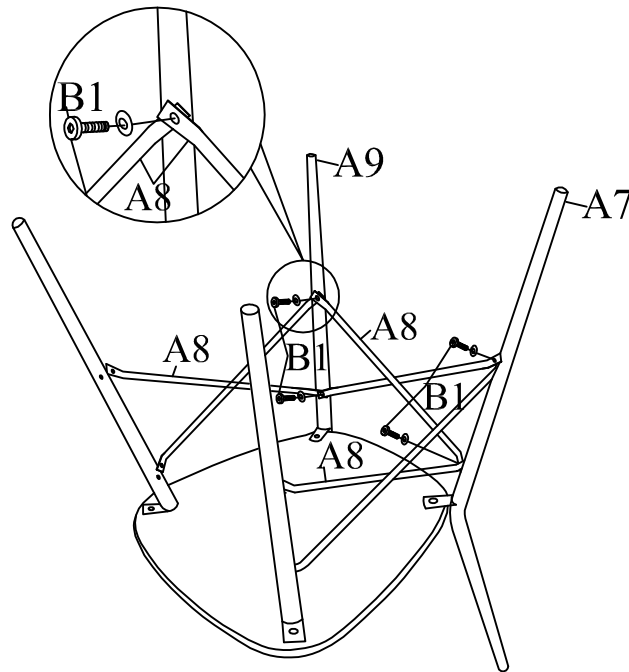


X2

Assemble Legs A6&A7&A9 to Seat Panel A4 using Bolt with Washers B1.
Noted:Please do not tighten Bolts B1 until Step 7.

STEP 5


B1  8sets

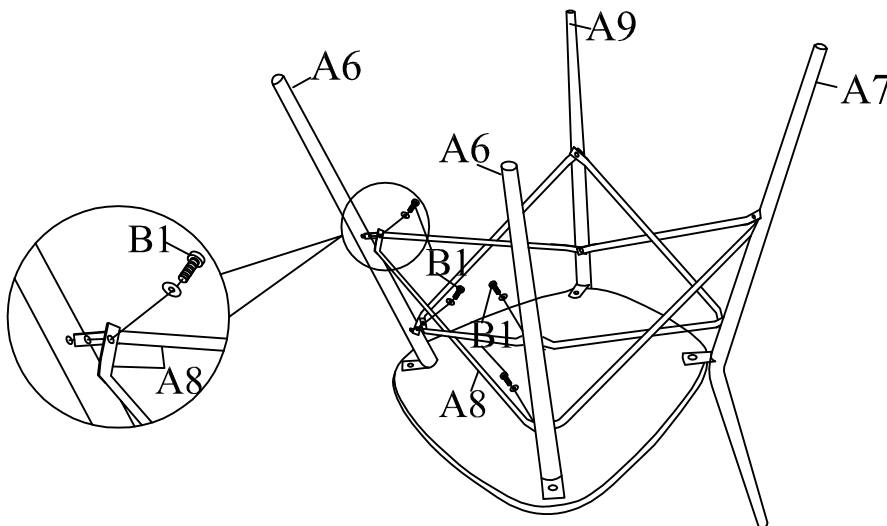


X2

Assemble 3 pieces Connect Bars A8 to Back Legs A7&A9 using Bolt with Washers B1 as shown above.
Noted:Please do not tighten Bolts B1 until Step 7.

STEP 6

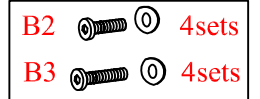
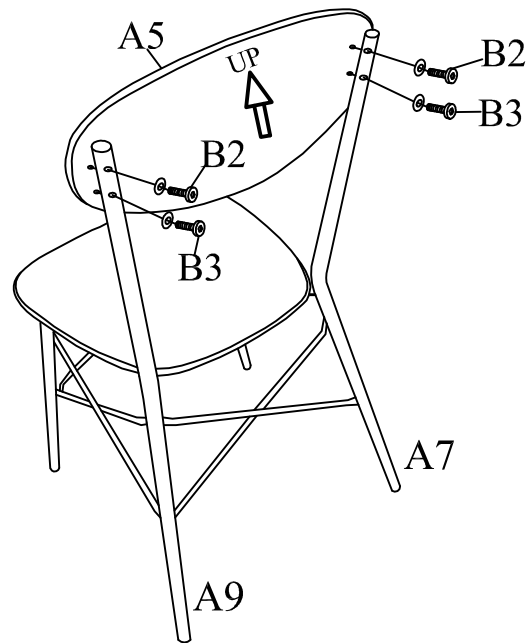
B1  8sets



X2

Assemble the other Connect Bars A8 to Front Legs A6 using Bolt with Washers B1 as shown above.
Noted:Please do not tighten Bolts B1 until Step 7.

STEP 7



X2

Assemble Back Panel A5 to Back Legs A7&A9 using Bolt with Washers B2&B3.
Noted:Place the chair on the floor and check if it is stable before tightening all bolts.