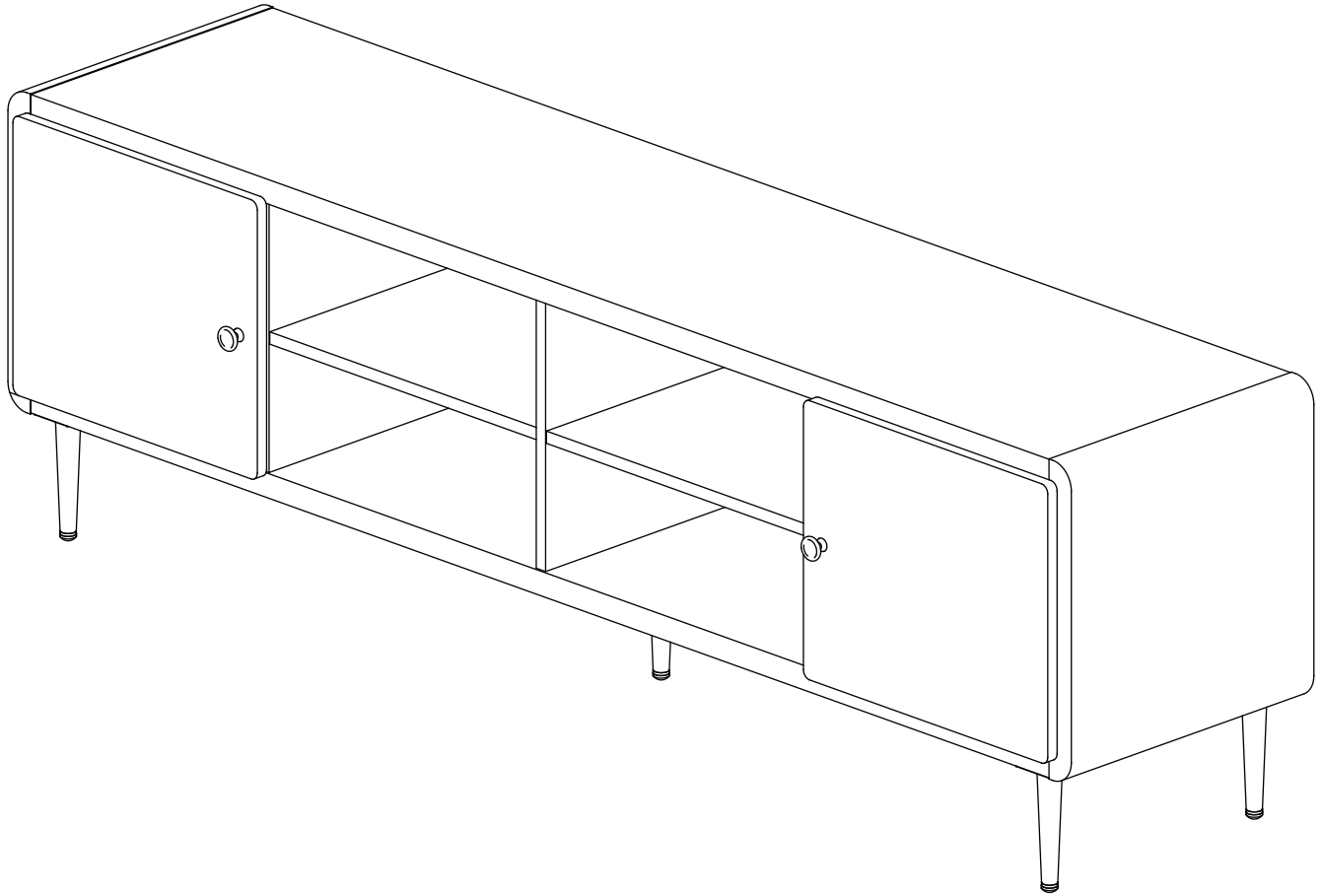


ASSEMBLY INSTRUCTIONS

TV CONSOLE



60 min. assembly

2 person

*The estimated assembly time may vary depending on the individual.

Hey, there

Now is assembly time!

Deeeeeeep breathe.... and again....
Tools ready,
Easy peasy!

Estimated



60 min. assembly
2 person

Tools Required

- Flathead screwdriver (not included)
- Phillips screwdriver (not included)
- Power Drill (not included)

important: Cautious when you use power tools

Thank you for purchasing this product. This product has been manufactured with the highest standards of safety and quality.

PLEASE READ ALL INSTRUCTIONS CAREFULLY BEFORE ASSEMBLY.

Unpack all parts from the packaging inside the carton to ensure there are no missing or damaged parts. Lay out all the cabinet parts on a clean, flat, and soft surface to prevent scratches. Refer to the steps provided as assembling guide.

Do not attempt to assemble or use the product if any parts are missing or damaged.

REMINDERS

SAFE USAGE IS KEY

Your well-being is our top priority when you use our product. Please prioritize your safety by diligently following the assembly guidelines and inspecting the product carefully both when it arrives and before each use.

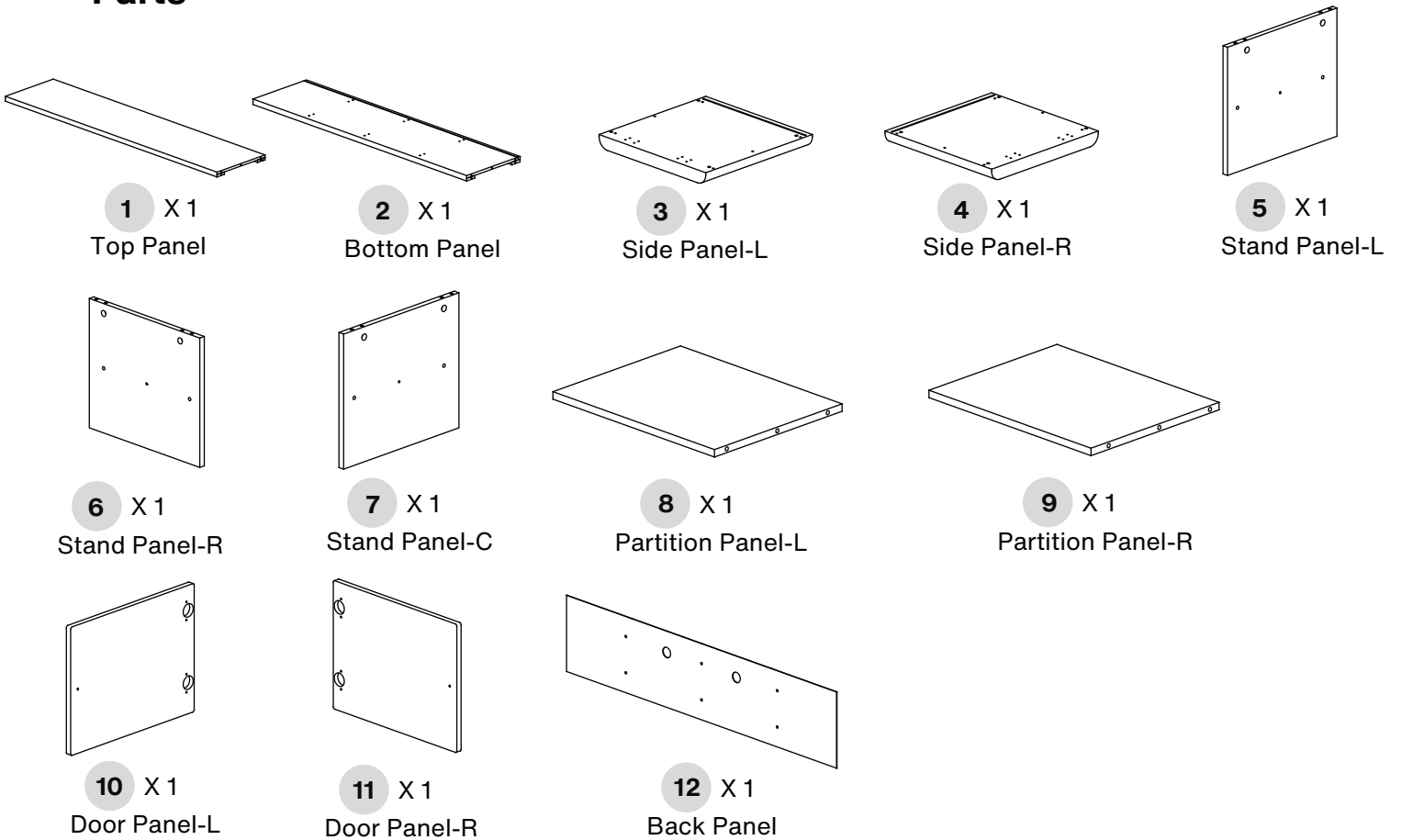
Please be aware that and we cannot be held liable for any injuries or fatalities that occur due to not adhering to the provided instructions or misuse of the product.

DO NOT MODIFY

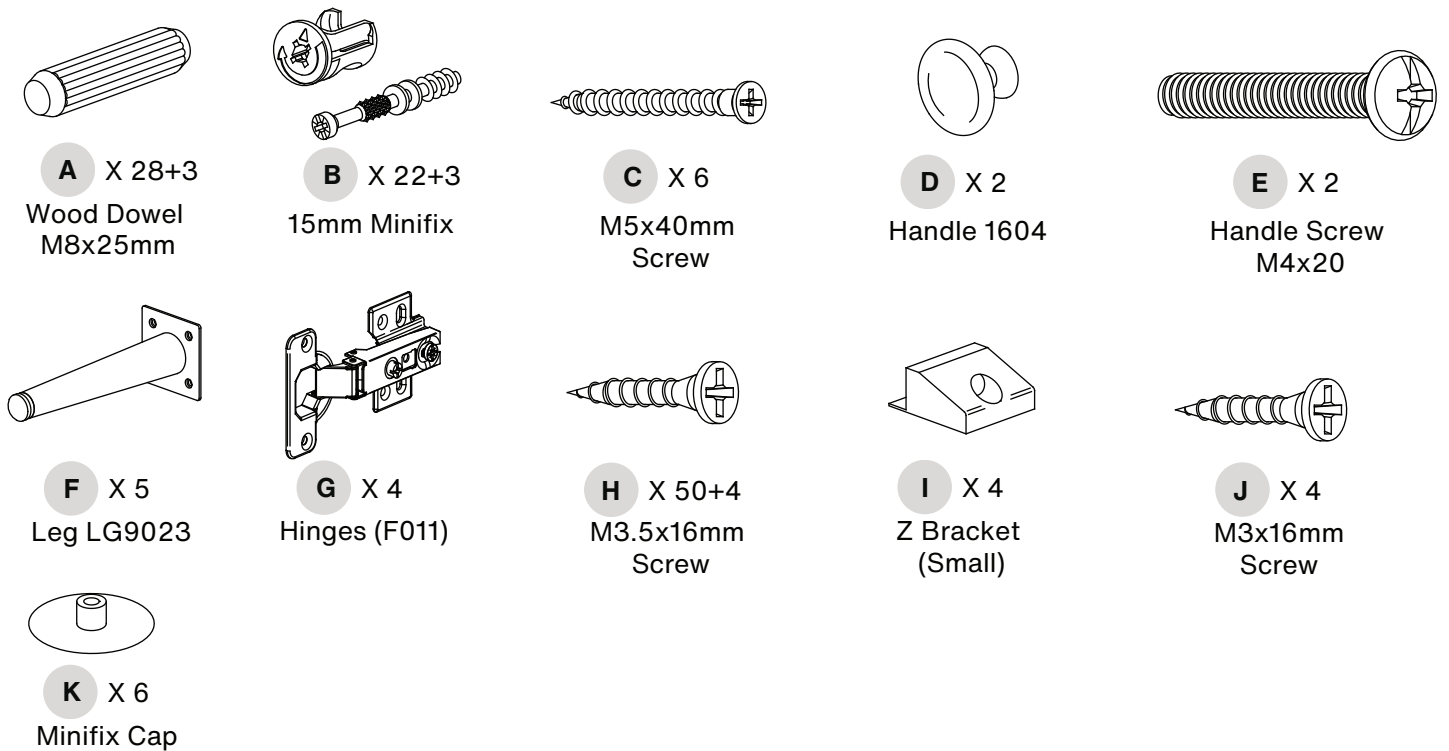
Our products undergo rigorous testing to ensure they meet established safety standards before being released for sale. Altering the product in any way can lead to serious safety concerns, for which cannot assume responsibility.

What's in the box

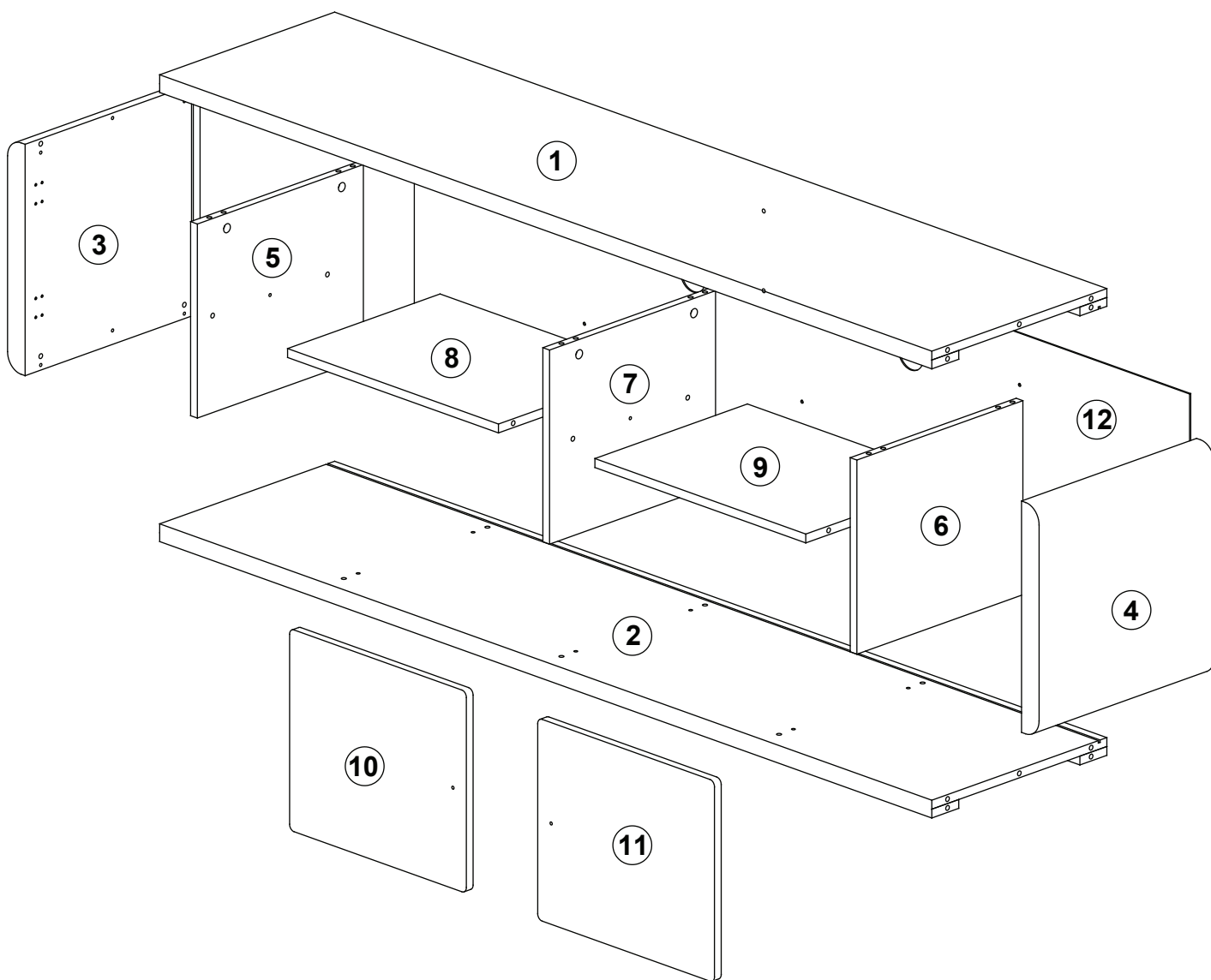
Parts



Hardware & Accessory

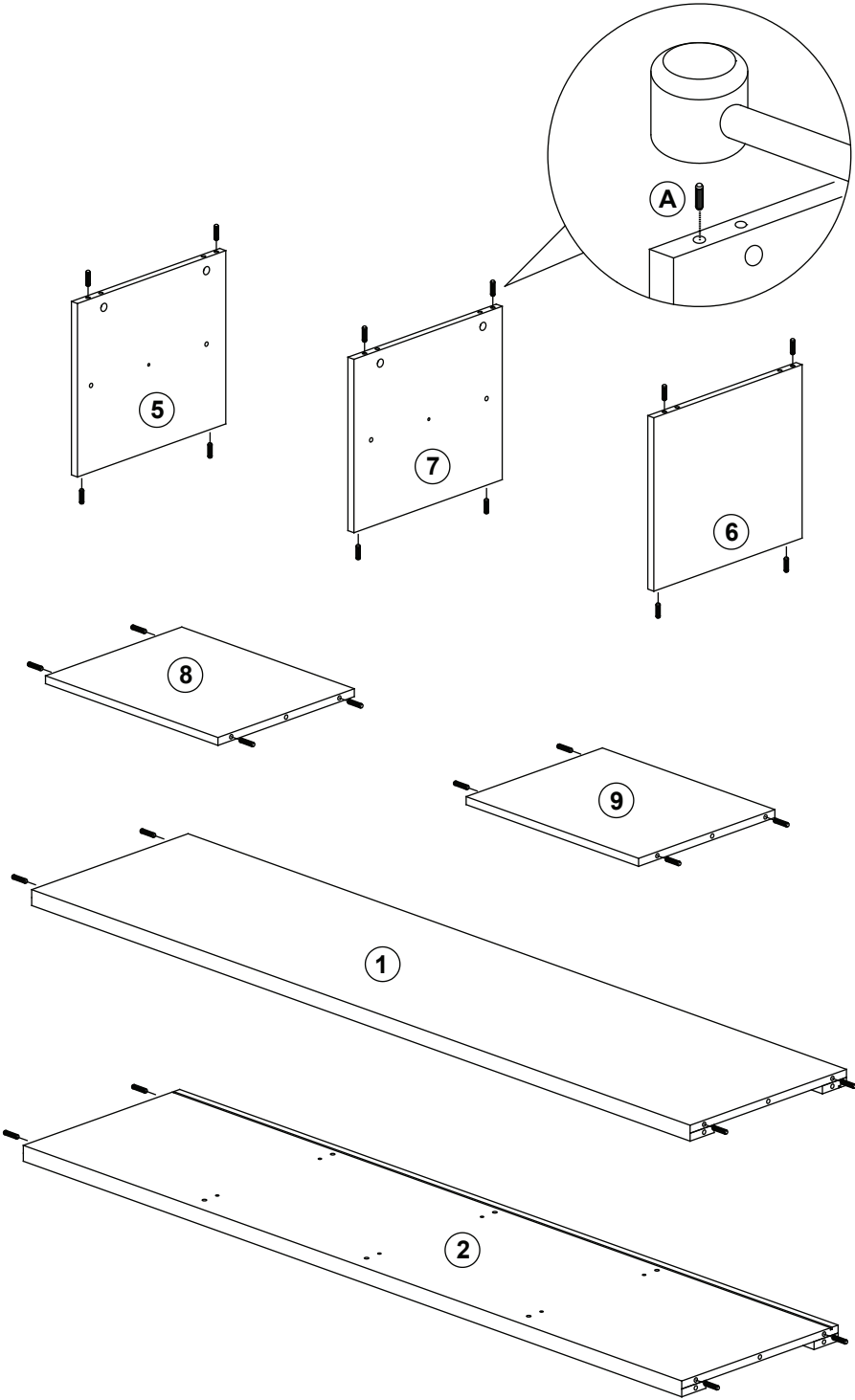
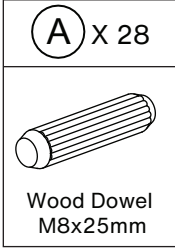


Assembly



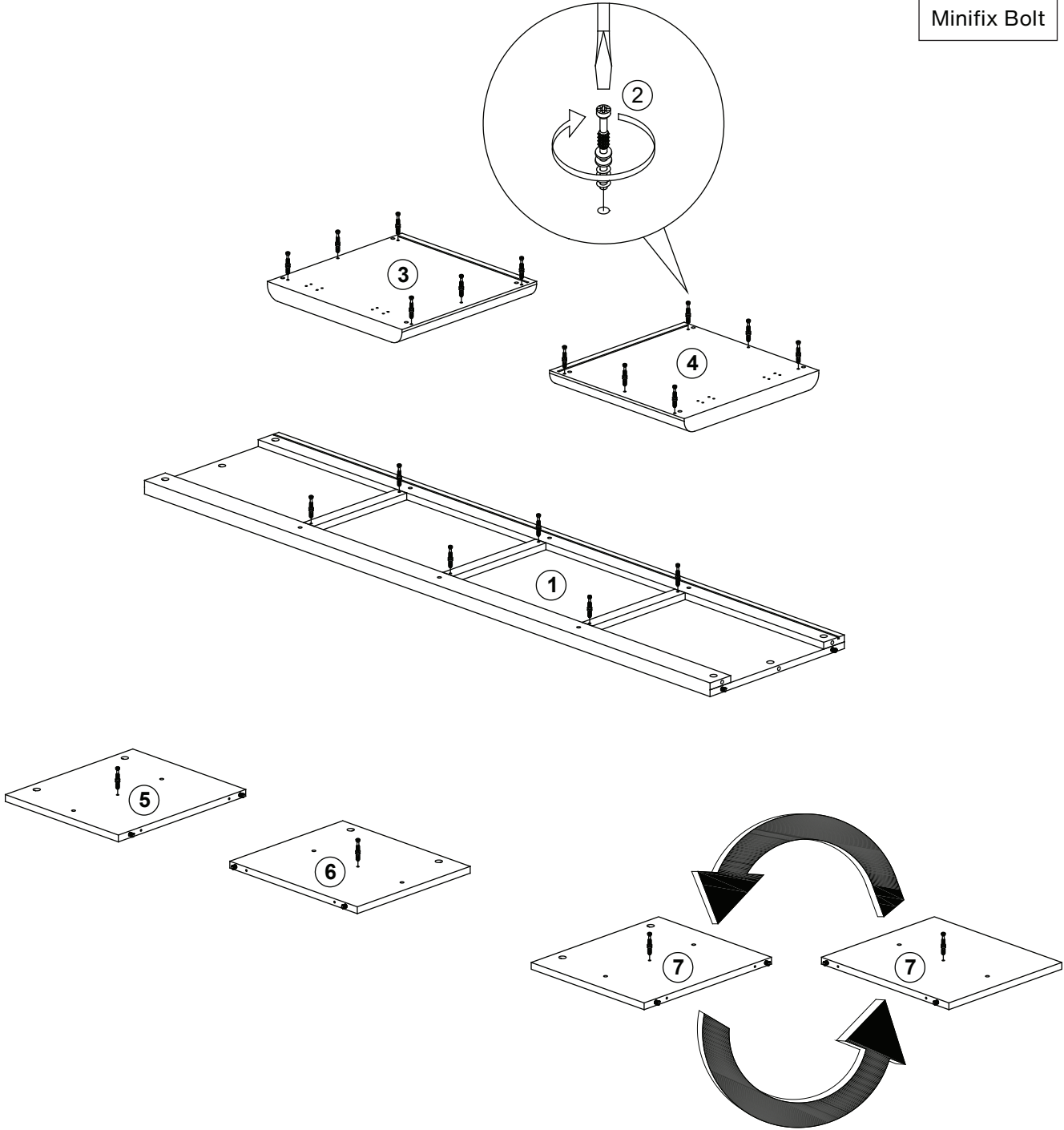
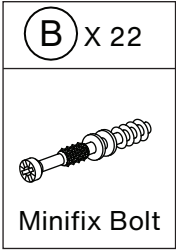
Step 1

Insert Dowel (A) into each panel as shown.



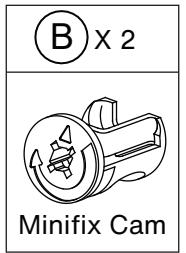
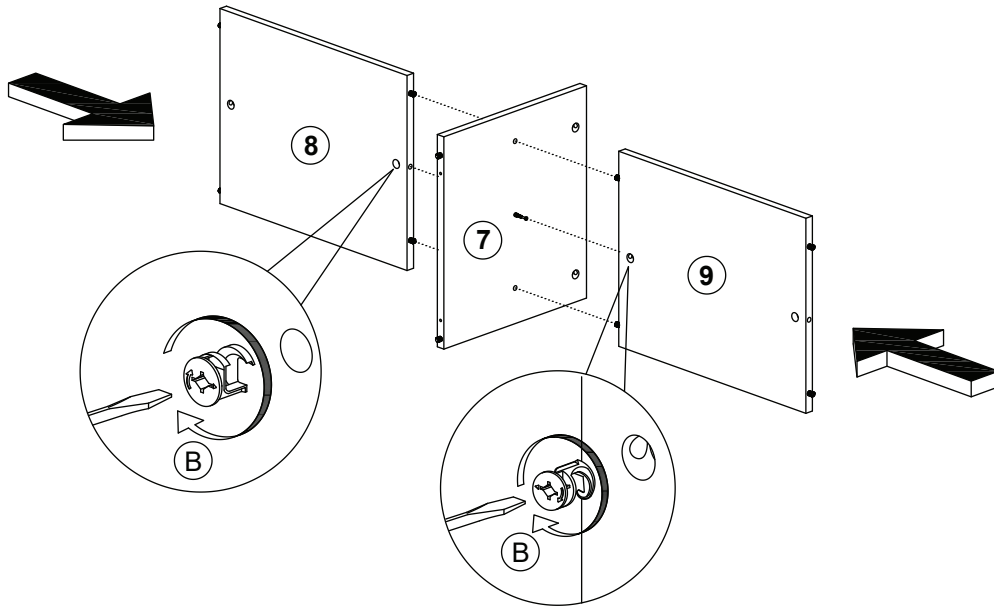
Step 2

Install Minifix Bolt (B) to all panels as shown.



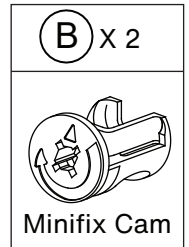
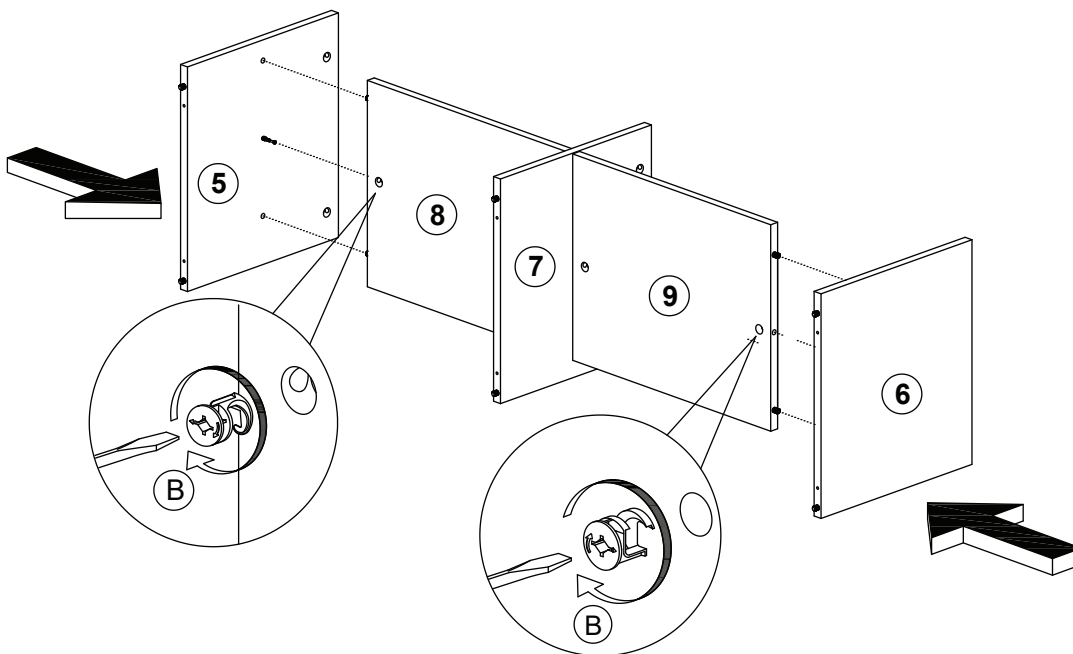
Step 3

Assemble Partiton Panel-L and (8) and Partiton Panel-R (9) to Stand Panel (7). Secure with Minifix Cam (B).



Step 4

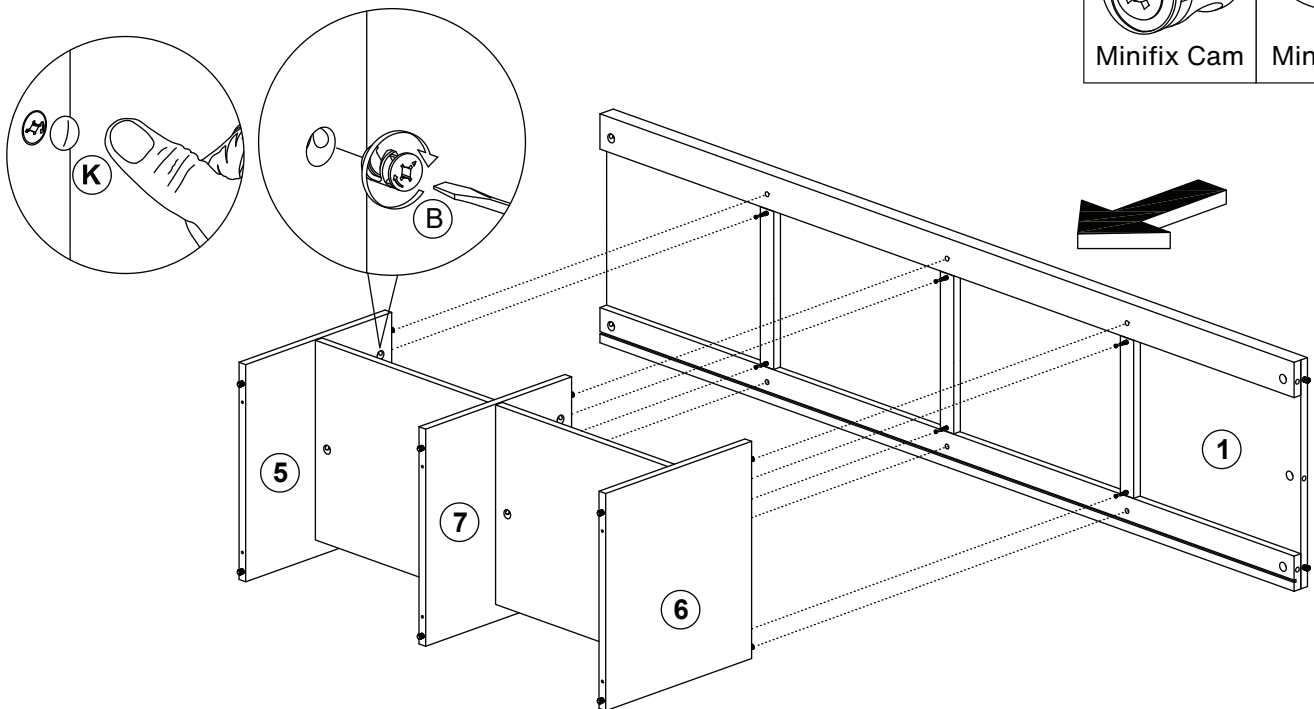
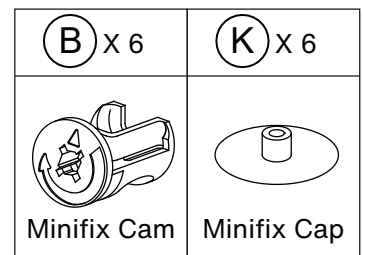
Assemble Stand Panel-L (5) to Partiton Panel (8) and Stand Panel-L (6) to Partiton Panel (9). Secure with Minifix Cam (B).



Step 5

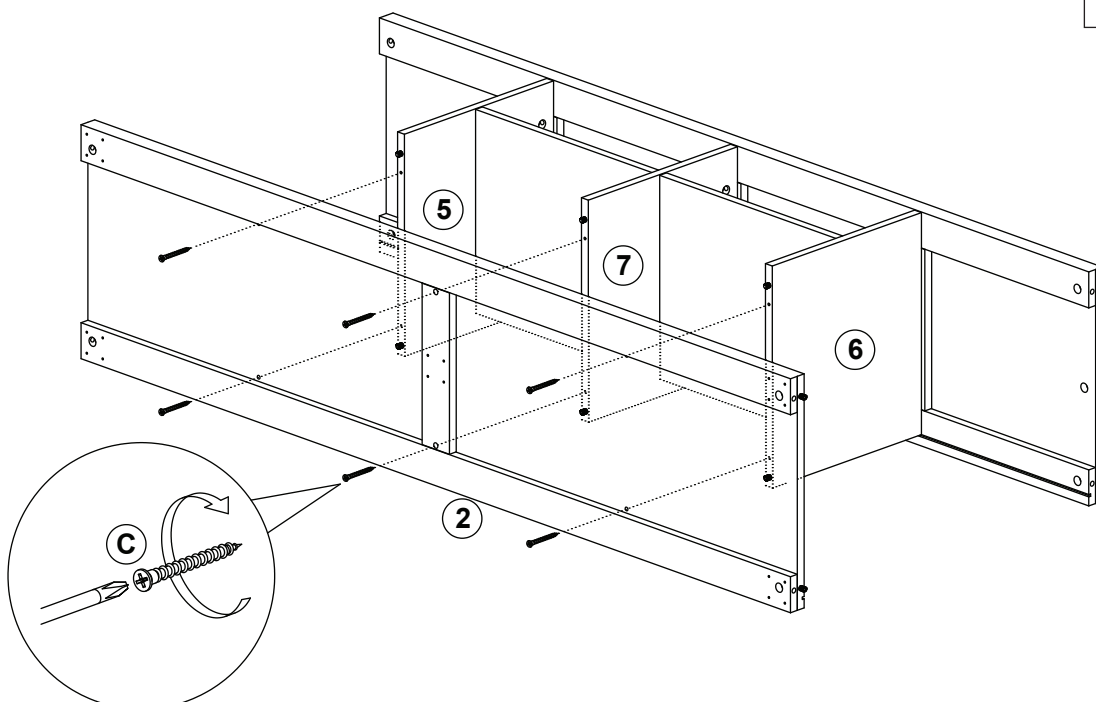
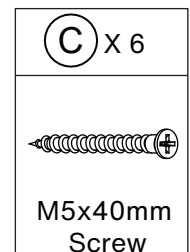
Assemble Top Panel (1) to Stand Panel-L (5), Stand Panel-R (6) and Stand Panel-C (7). Secure with Minifix Cam (B).

Attach Minifix Cap (K) as shown.



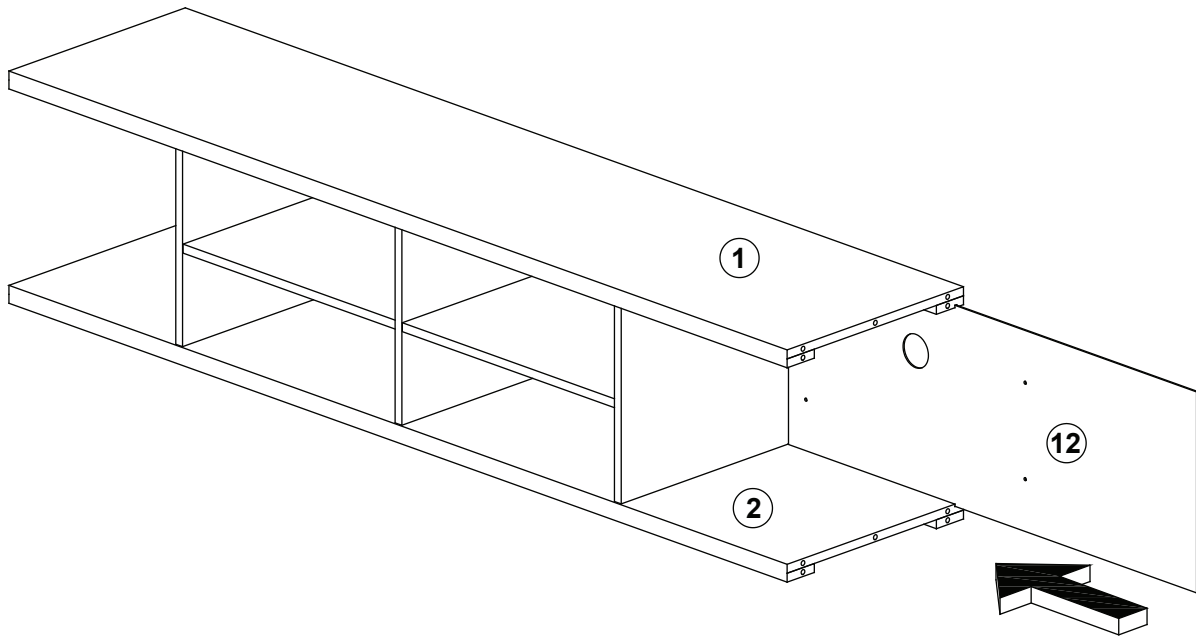
Step 6

Assemble Bottom Panel (2) to Stand Panel-L (5), Stand Panel-R (6) and Stand Panel-C (7). Secure with Screw (C) as shown.



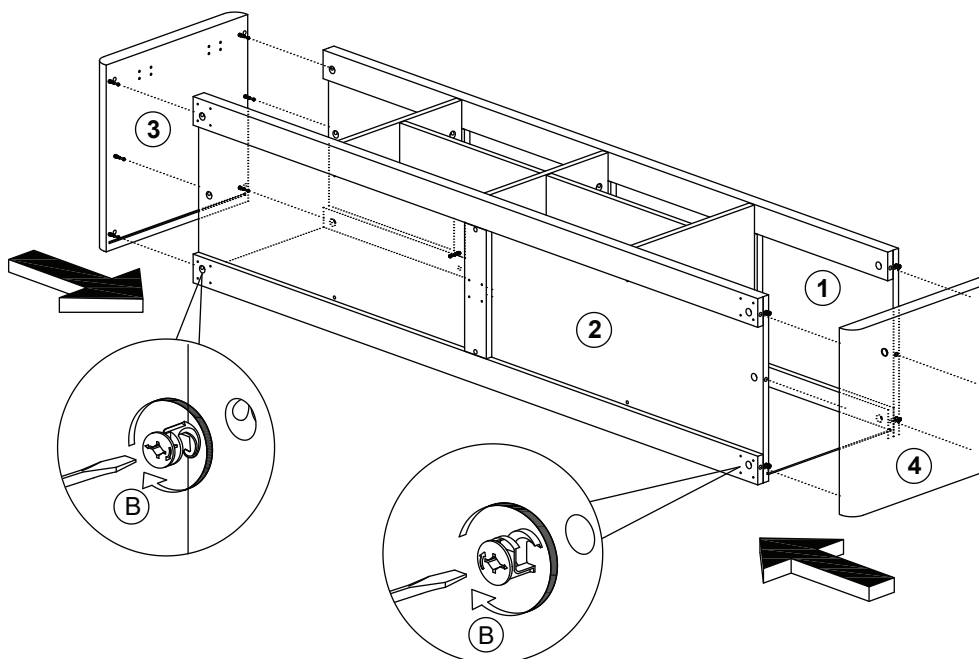
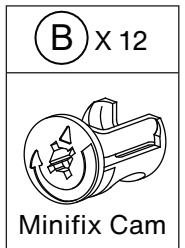
Step 7

Stand the cabinet upright to insert the Back Panel (12) as shown.



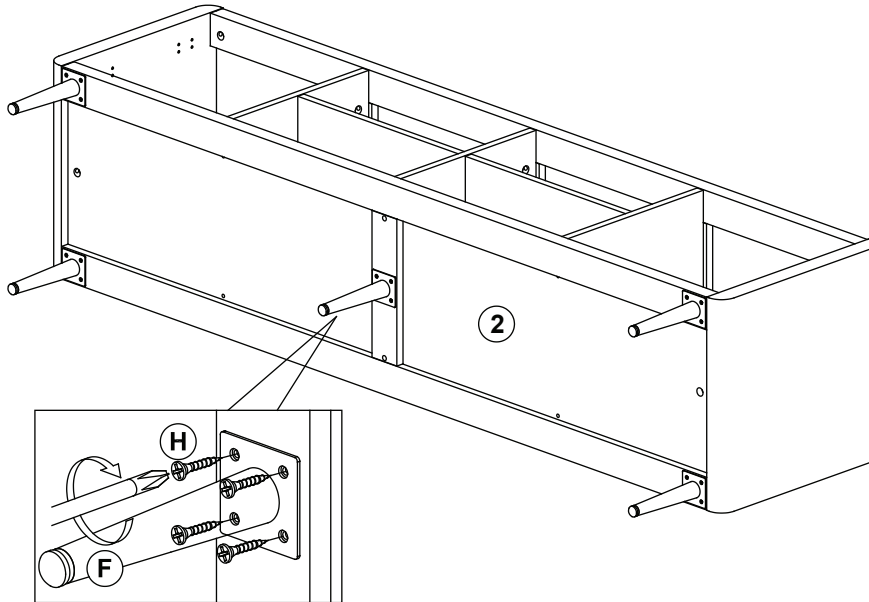
Step 8

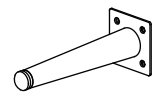
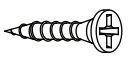
Lay the cabinet down to assemble Side Panel-L (3) and Side Panel-R (4) to Top Panel (1) and Bottom Panel (2). Secure with Minifix Cam (B) as shown."



Step 9

Attach Leg (F) to Bottom Panel (2) using Screw (H)

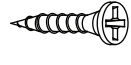
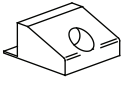
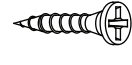


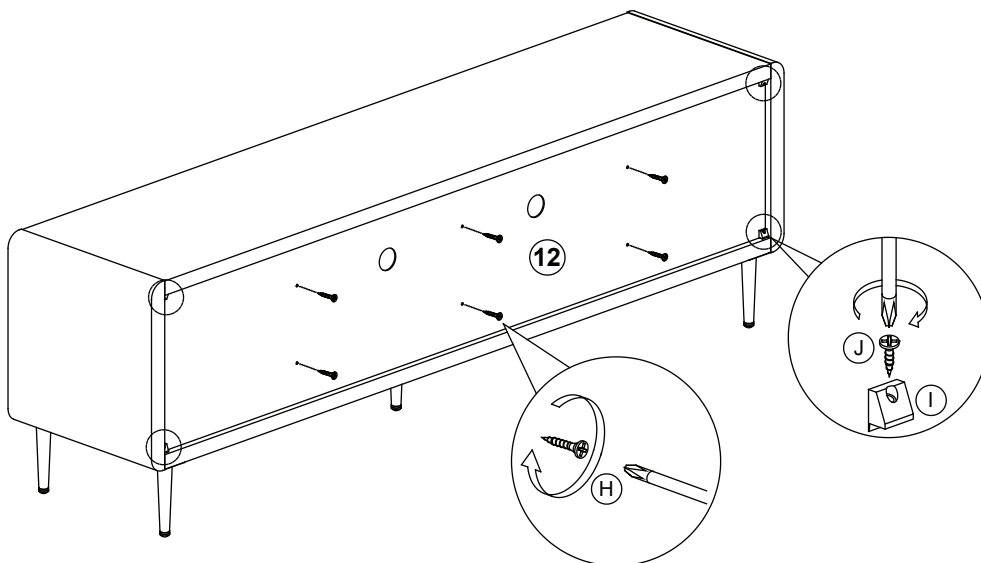
(F) x 5	(H) x 20
	
Leg LG9023	M3.5x16mm Screw

Step 10

Install Screw (H) to Back Panel (12).

Install Z Bracket (I) and secure with Screw (J) to Back Panel (12) as shown.

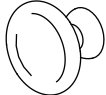

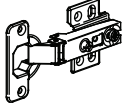
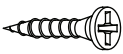
(H) x 6	(I) x 4	(J) x 4
		
M3.5x16mm Screw	Z Bracket (Small)	M3x16mm Screw

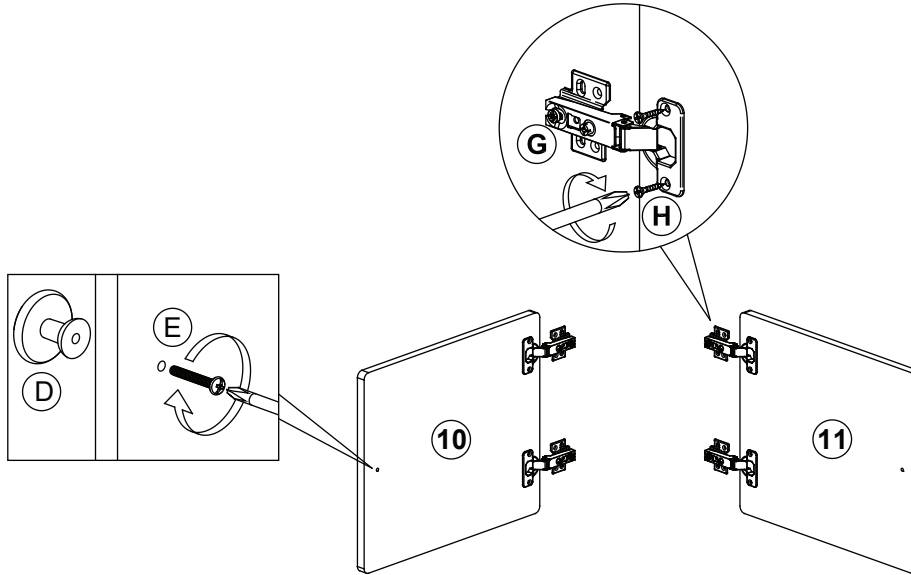


Step 11

Install Hinge (G) to Door Panels (10) and (11) secure with Screw (H) as shown.

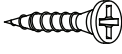
Install Handle (D) to each Door and secure with Screw (E).

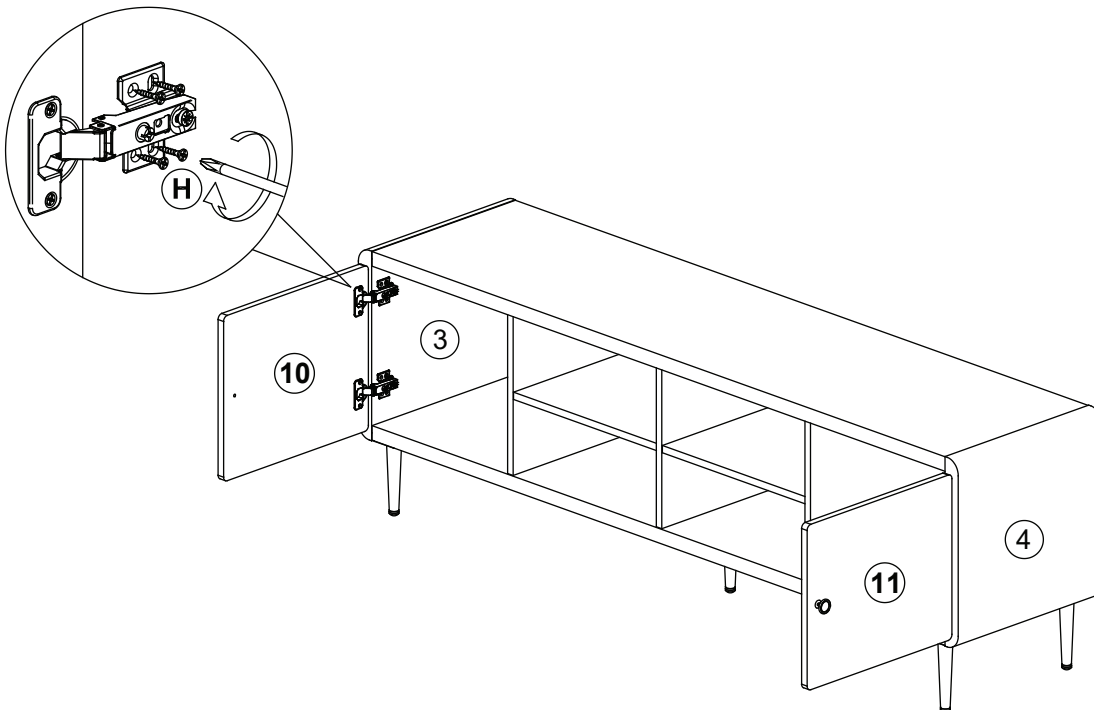
(D) x 2	(E) x 2	(G) x 4	(H) x 8
			
Handle 1604	Handle Screw M4x20	Hinges (F011)	M3.5x16mm Screw



Step 12

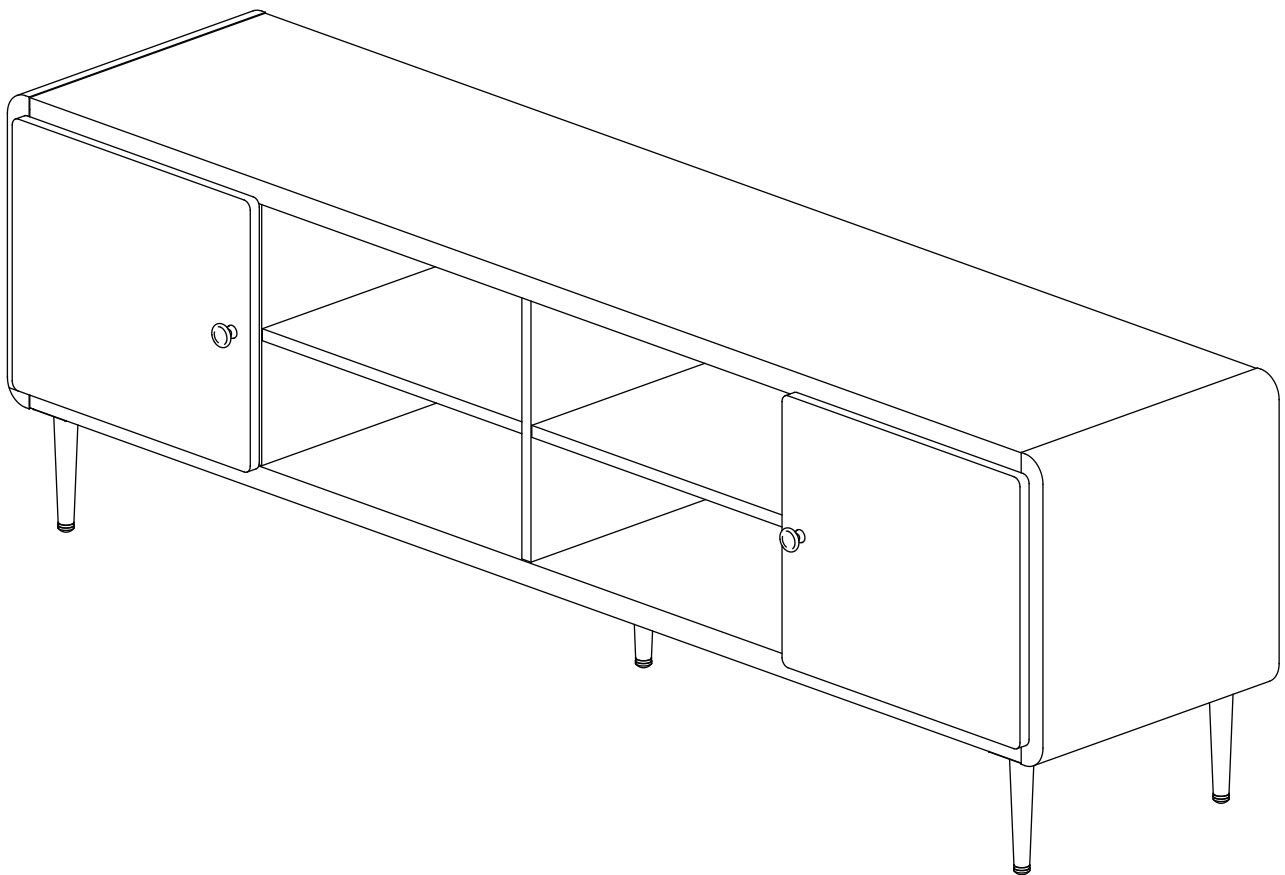
Attach Door Panel-L (10) to Side Panel (3) and Door Panel-R (11) to Side Panel (4). Secure both doors with Screws (H)

(H) x 16

M3.5x16mm Screw



VOILA!

Now enjoy.



Warning

DO NOT sit or stand on the tv cabinet as this may damage the product and cause serious bodily injury.

Something not right?

We are always here to help.

We make mistakes like every human does.

Though we always strive to provide the best possible products at competitive prices and the best service in the industry, it's not possible to completely eliminate mistakes. If you experience any dissatisfaction, feel free to contact us immediately. Our in-house customer care team will respond ASAP.

Things to do to expedite the process

- Have your order# ready
- Take photos/videos to help us better identify the issues
- DO NOT throw away the packaging

Happy with our product?

Leave us a review

It really help us as a small business

- Find the product you purchased on our website (tip: search by SKU) and leave us a review.
- Alternatively, you can always return to the marketplace where you purchased it and leave a review there.

Share with others

Our customers look for REAL stuff

**Please save this manual
for future reference.**