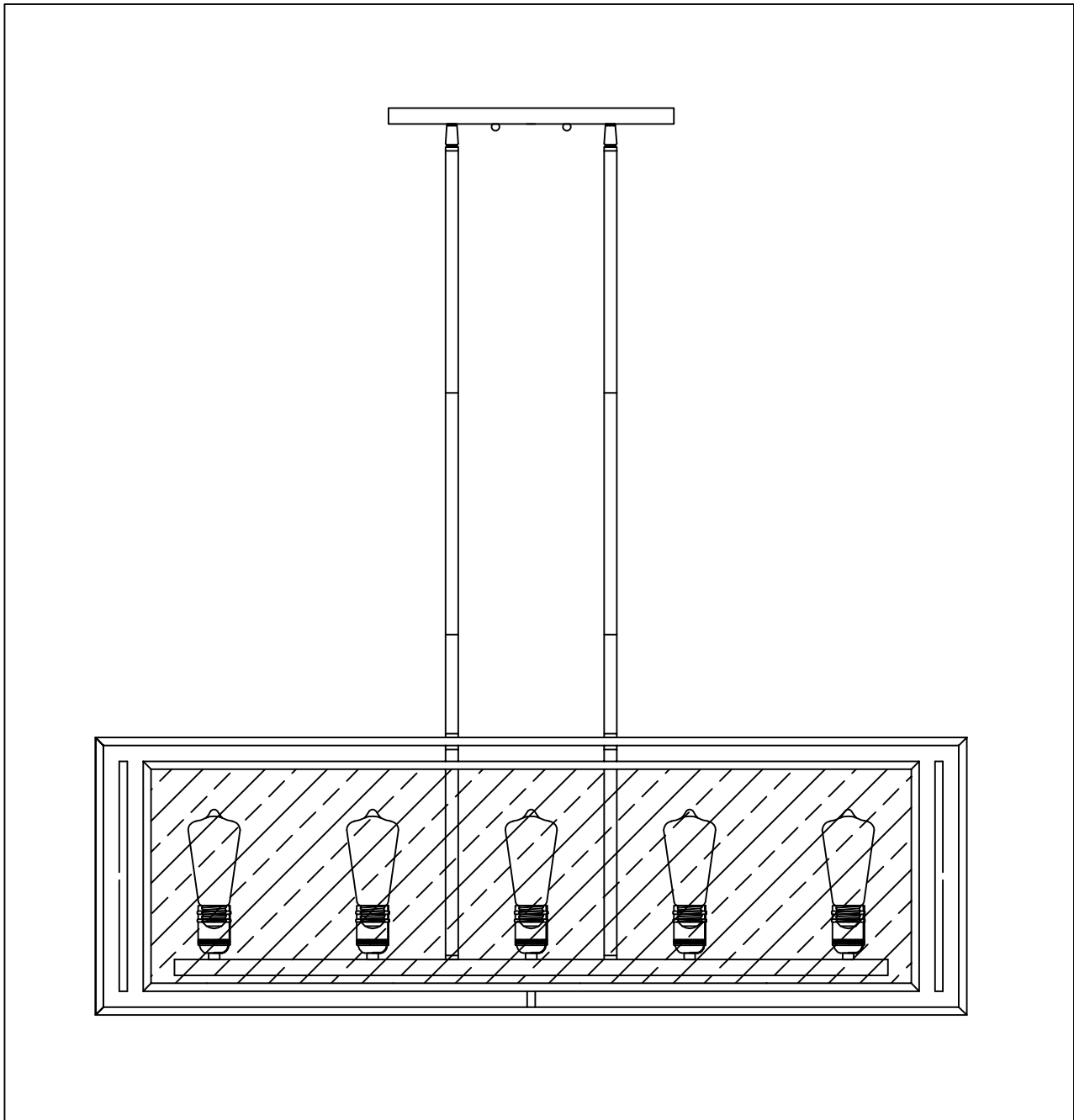
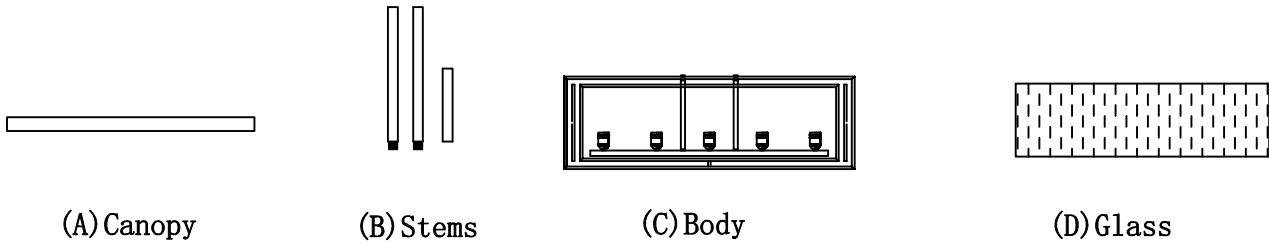


**Please consult your electrician for hanging fixture and wiring.**

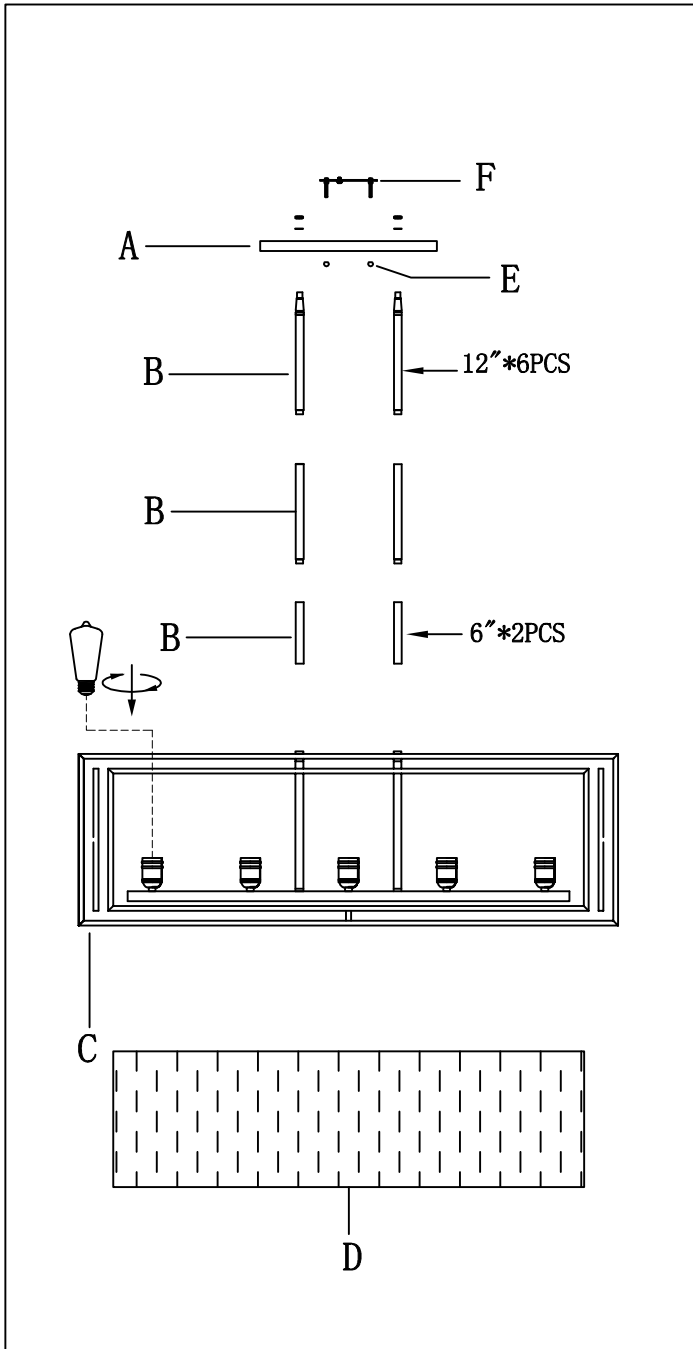


**Bulb(not included):5 Edison-style bulbs recommended**

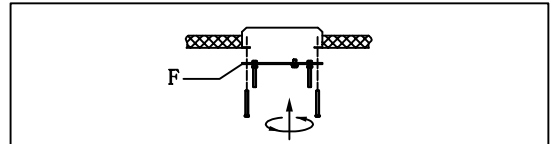
**IMPORTANT:** Turn off power at the main fuse or circuit breaker box before starting installation



**Locate all hardware & components before discarding packaging**

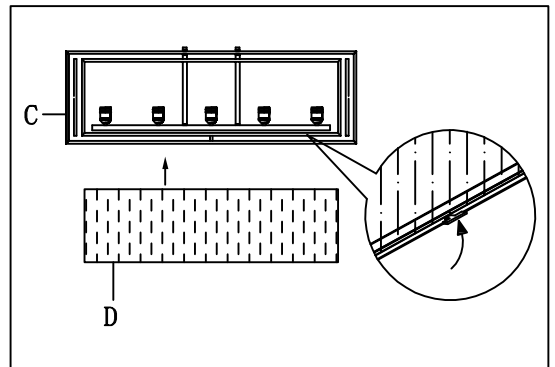


1.)



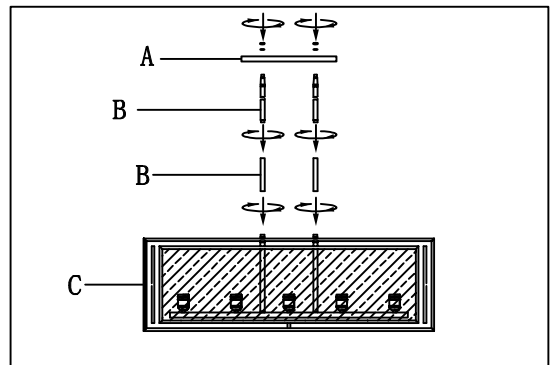
**Step. 1:** Remove mounting bracket(F) from fixture and install to electrical box.

2.)



**Step. 2:** Wearing glove, put glass(D) inside the frame and use steel clips on frame to secure the glass.

3.)



**Step. 3:** Run wire through stems(B) and combine stem lengths to meet desired mounting height.

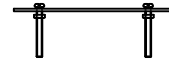
**Cleaning & Care:**

Clean with soft cloth and a mild detergent.  
Do not use abrasive cleaner.

**IMPORTANT:** Turn off power at the main fuse or circuit breaker box before starting installation

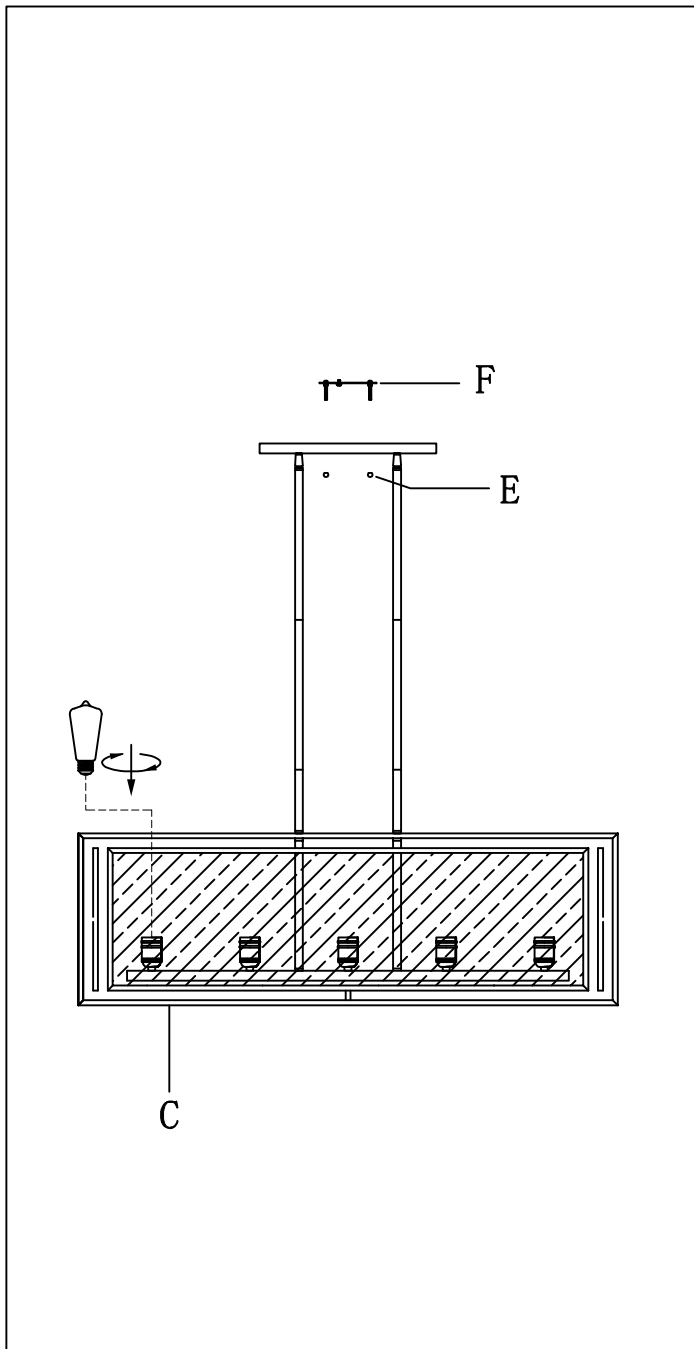


(E) Ball nut

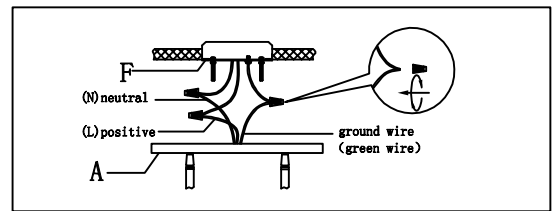


(F) Bracket

**Locate all hardware & components before discarding packaging**

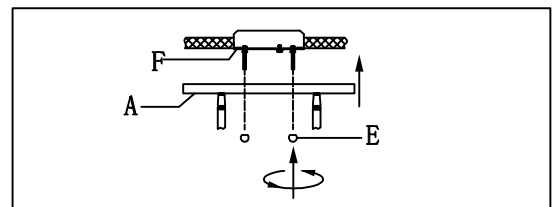


4.)



Step. 4: Wire fixture to wires in outlet box.  
Copper/Green wire is for Ground.

5.)



Step. 5: Install fixture to the mounting  
bracket(F) and tighten ball nuts (E)  
to secure.

**Cleaning & Care:**

Clean with soft cloth and a mild detergent.  
Do not use abrasive cleaner.