



# SLAT KIT

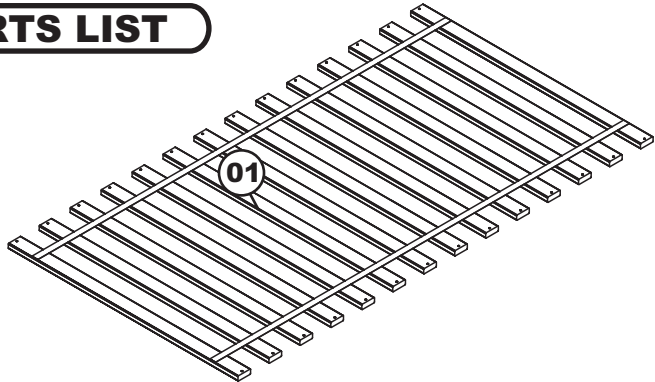
## ASSEMBLY INSTRUCTIONS

( TWIN SINGLE )

Before assembling your Bed slat kit, please read through these instructions carefully. Familiarize yourself with the different parts. Please note that you will require a Phillips Head Screwdriver.

### PARTS LIST

01 SLAT KIT 1 SET



NOTE: WE INCLUDE SPARE HARDWARE IN CASE THE WOOD SCREW ARE DAMAGED DURING ASSEMBLY.

A



1 1/4" Wood Screw - 28 pcs  
Spare - 2 pcs  
For Slat Kit to Ledger Strip

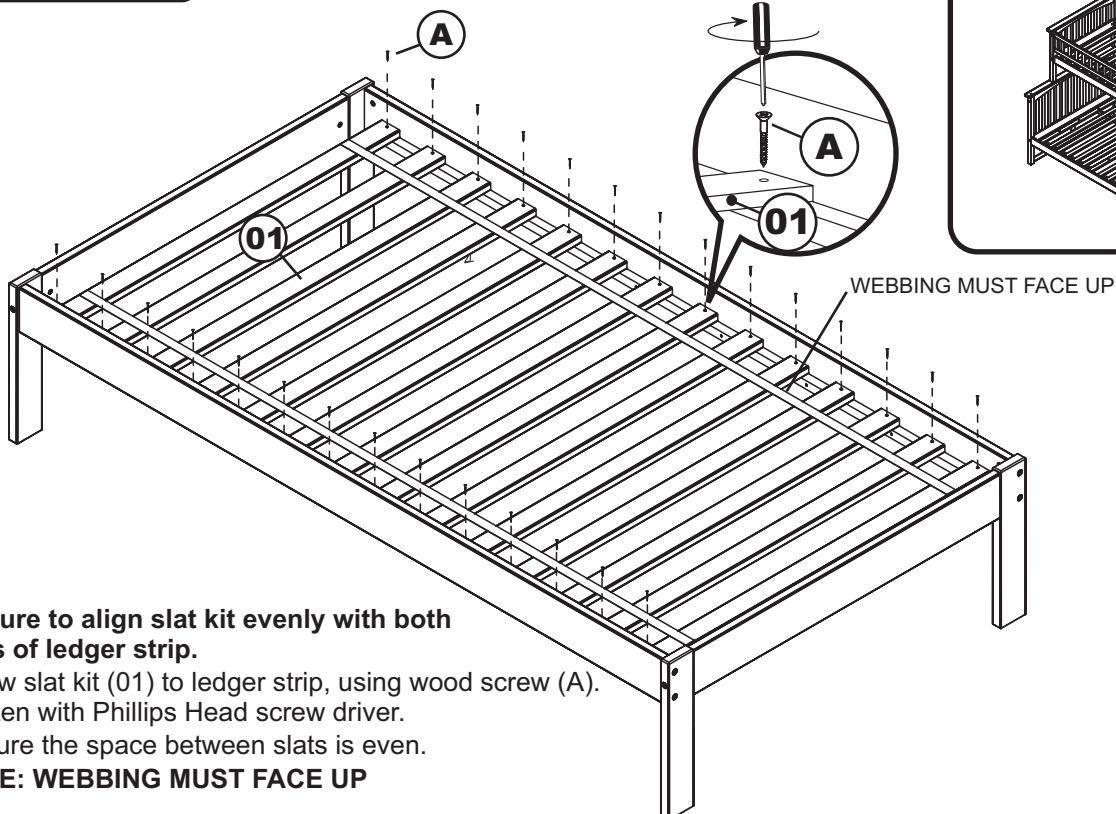
### HARDWARE

### Step 1

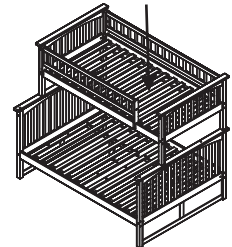
Assemble bed frame according to bed assembly instructions.

### Step 2

Lay the slat kit onto the bed or twin upper bunk .



TWIN UPPER BUNK

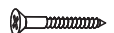


WEBBING MUST FACE UP



Adult Assembly

A



Wood Screw

Be sure to align slat kit evenly with both ends of ledger strip.

Screw slat kit (01) to ledger strip, using wood screw (A).  
Tighten with Phillips Head screw driver.

Be sure the space between slats is even.

NOTE: WEBBING MUST FACE UP