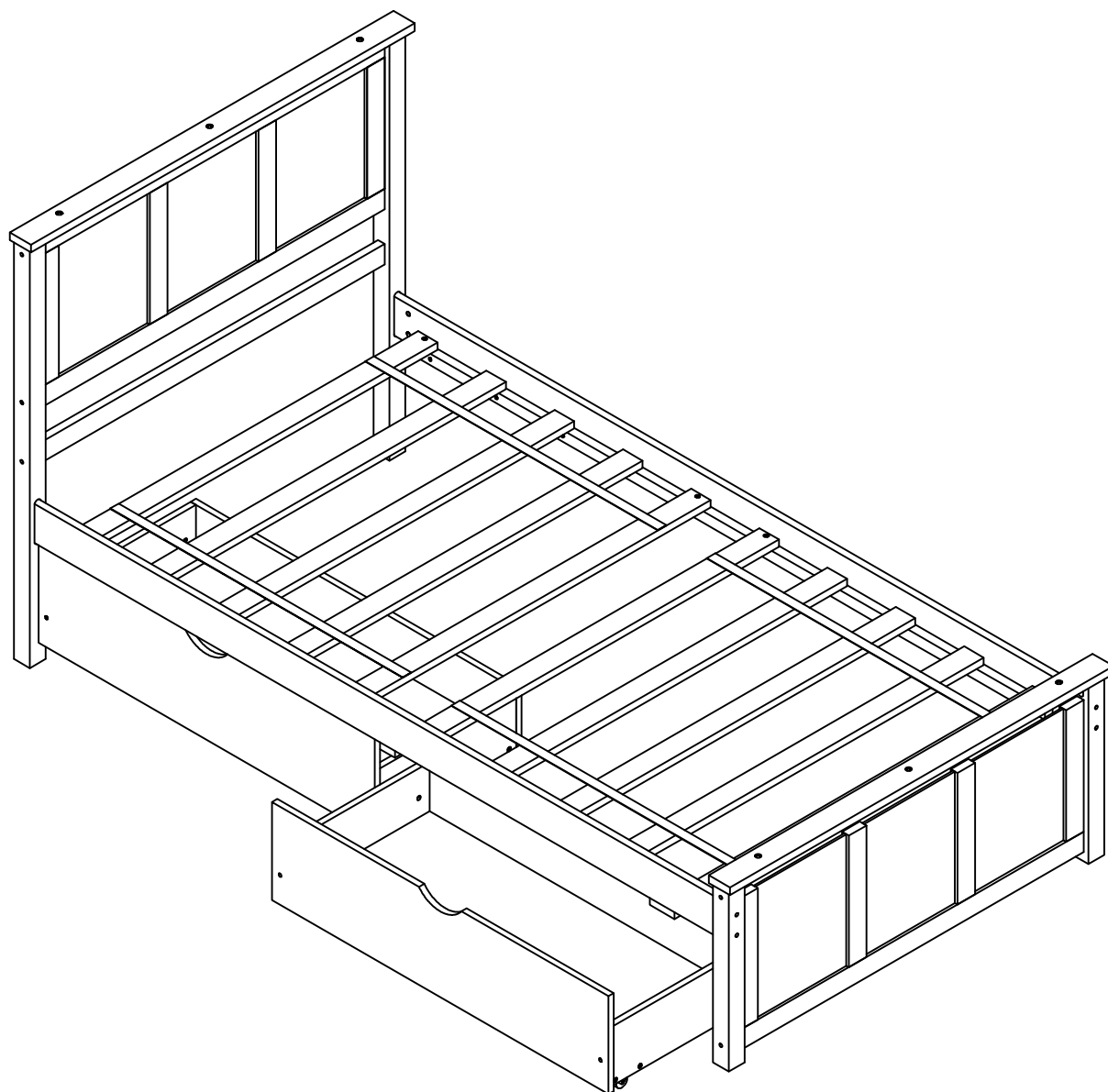
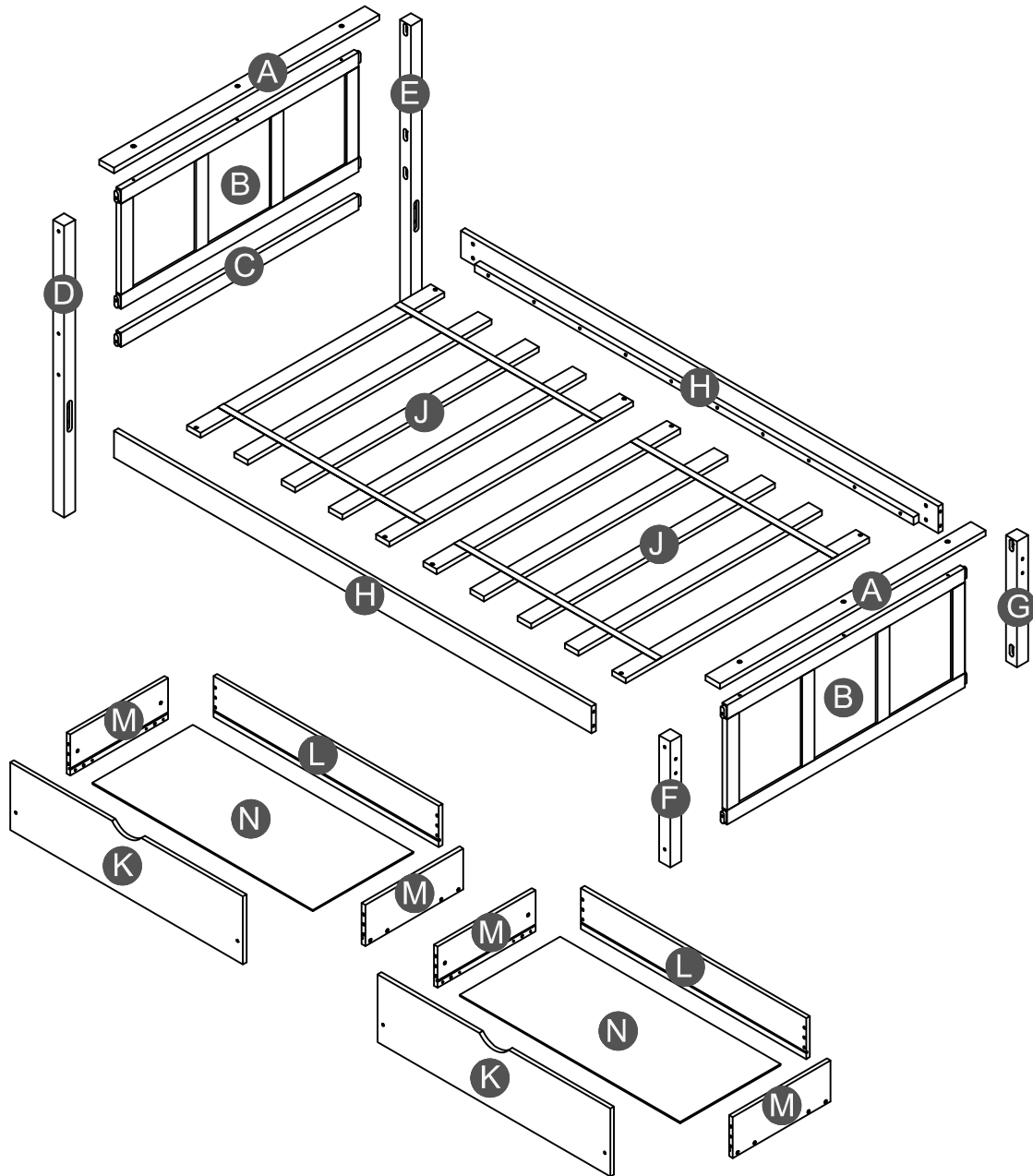


# ASSEMBLY INSTRUCTIONS


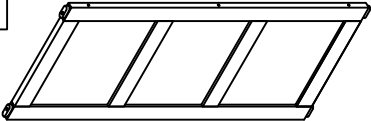
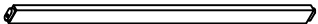
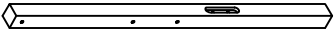
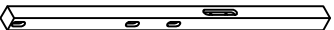
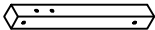
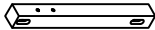

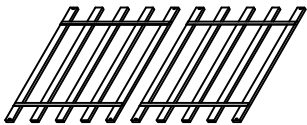

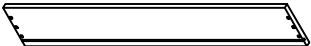
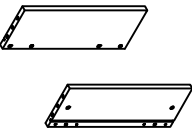

## BED WITH DRAWER



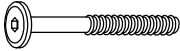
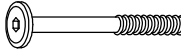



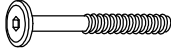
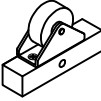
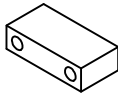
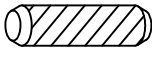


# Detail View



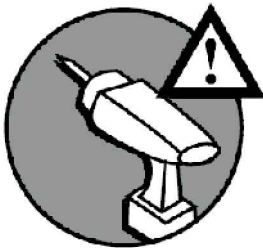
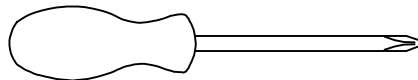
# Part List

<p><b>A</b></p>  <p>Cap for HB &amp; FB - 2pcs</p>	<p><b>B</b></p>  <p>HB/FB Frame - 1pc</p>	<p><b>C</b></p>  <p>HB horizontal bar - 1pc</p>
<p><b>D</b></p>  <p>Leg headboard(Left) - 1pc</p>	<p><b>E</b></p>  <p>Leg headboard(Right) - 1pc</p>	<p><b>F</b></p>  <p>Leg footboard(Right) - 1pc</p>
<p><b>G</b></p>  <p>Leg footboard(Left) - 1pc</p>	<p><b>H</b></p>  <p>Side rail - 2pcs</p>	<p><b>J</b></p>  <p>Slat - (10pcs)</p>
<p><b>K</b></p>  <p>Drawer front - 2pcs</p>	<p><b>L</b></p>  <p>Drawer back - 2pcs</p>	<p><b>M</b></p>  <p>Drawer (Left / Right)- 4pcs</p>
<p><b>N</b></p>  <p>Drawer bottom - 2pcs</p>		

# Hardware List

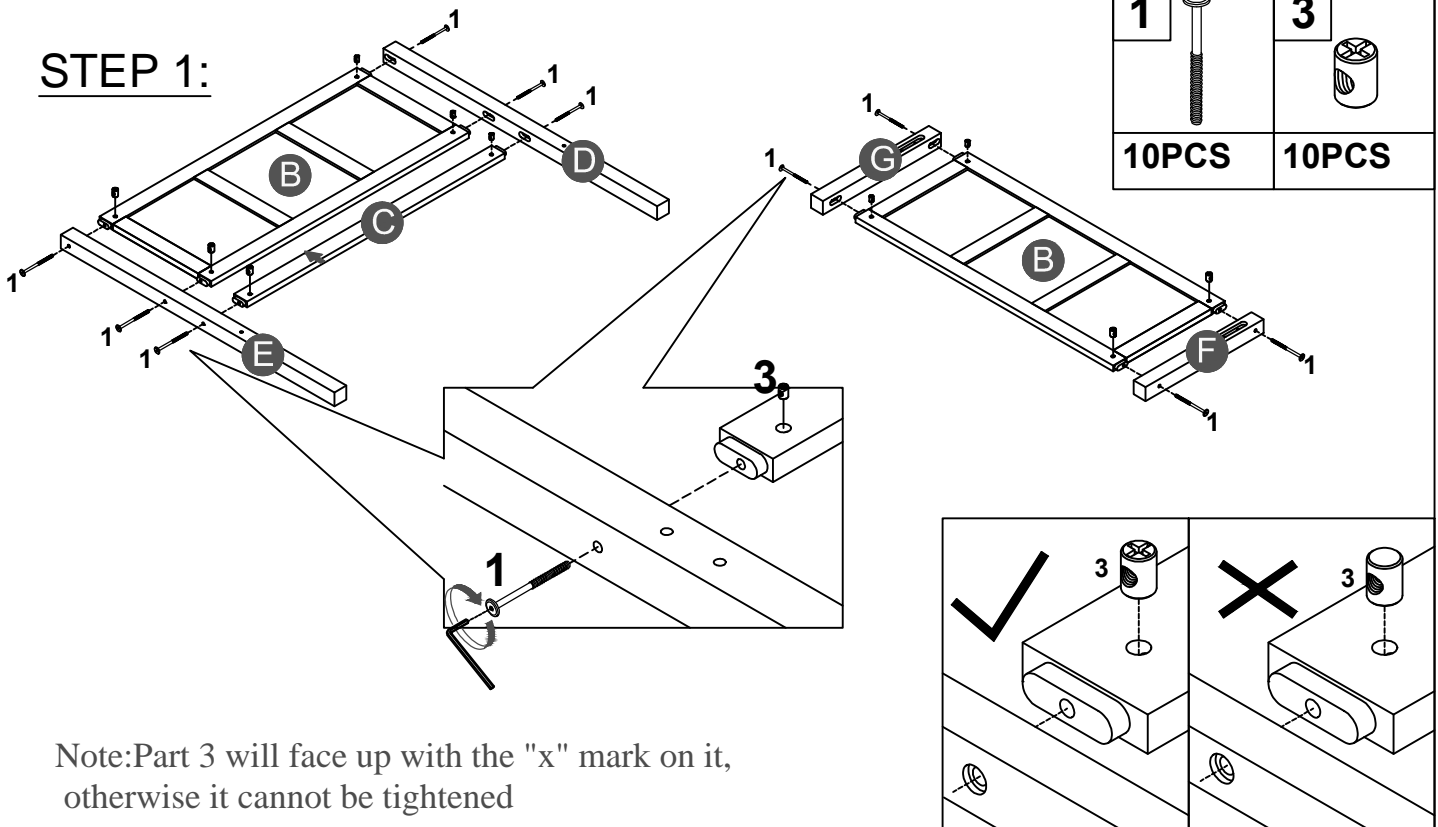
<b>1</b>  (Ø15)1/4"*80mm Hex-Head bolts (10pcs)	<b>2</b>  (Ø15)1/4"*100mm Hex-Head bolts (8pcs)	<b>3</b>  1/4"*15 (9.5mm) Horizontal-Hole bolts(26pcs)
<b>4</b>  (Ø12)1/4"*40mm Hex-Head bolts (6pcs)	<b>5</b>  Ø4*30mm Wood screws (30pcs)	<b>6</b>  (Ø12)1/4"*60mm Hex-Head bolts (8pcs)
<b>7</b>  100*54*20 mm Wheels (8pcs)	<b>8</b>  70*35*19 mm Wood support drawer (3pcs)	<b>9</b>  Ø8*30mm Wood dowel (16pcs)
<b>10</b>  Ø10*20mm Wood dowel (8pcs)	<b>11</b>  (1/4")4.5*58mm Allen key (1pc)	

## ASSEMBLY TOOLS REQUIRED ( NOT INCLUDED )

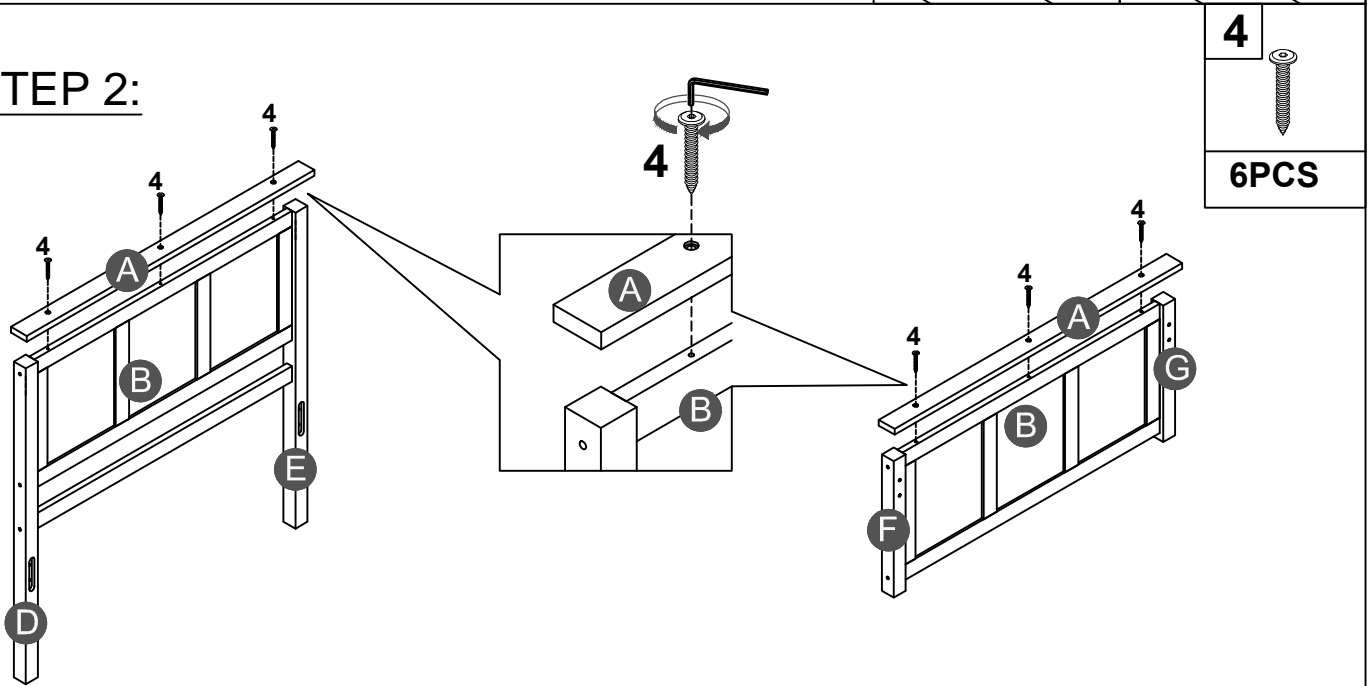


PLEASE BE CAREFUL DO NOT DAMAGE THE HOLE POSITION WHEN YOU USE POWER TOOLS !

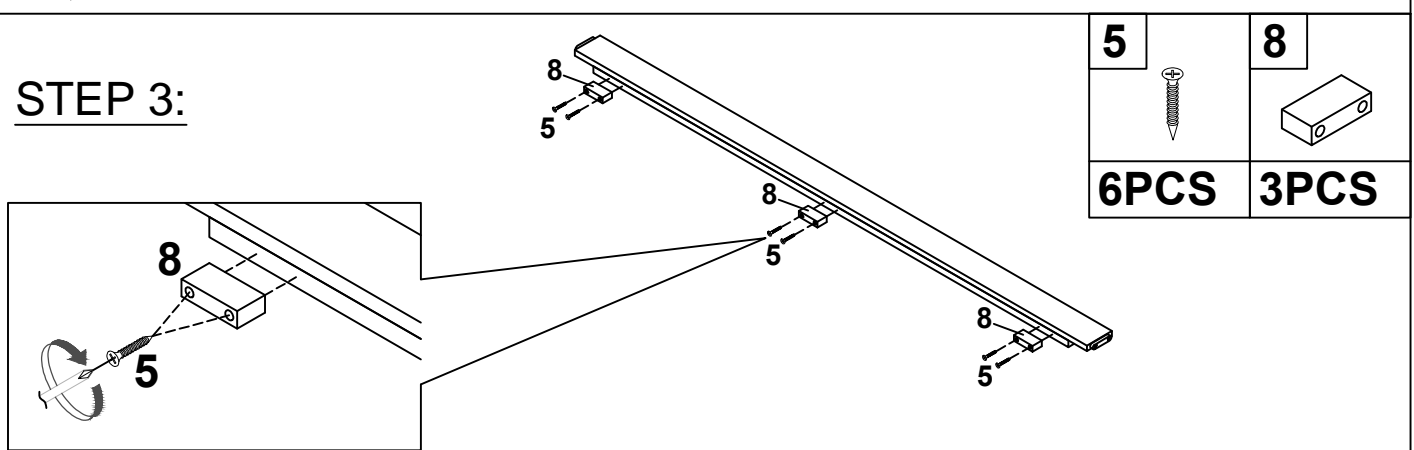
**STEP 1:**



**STEP 2:**





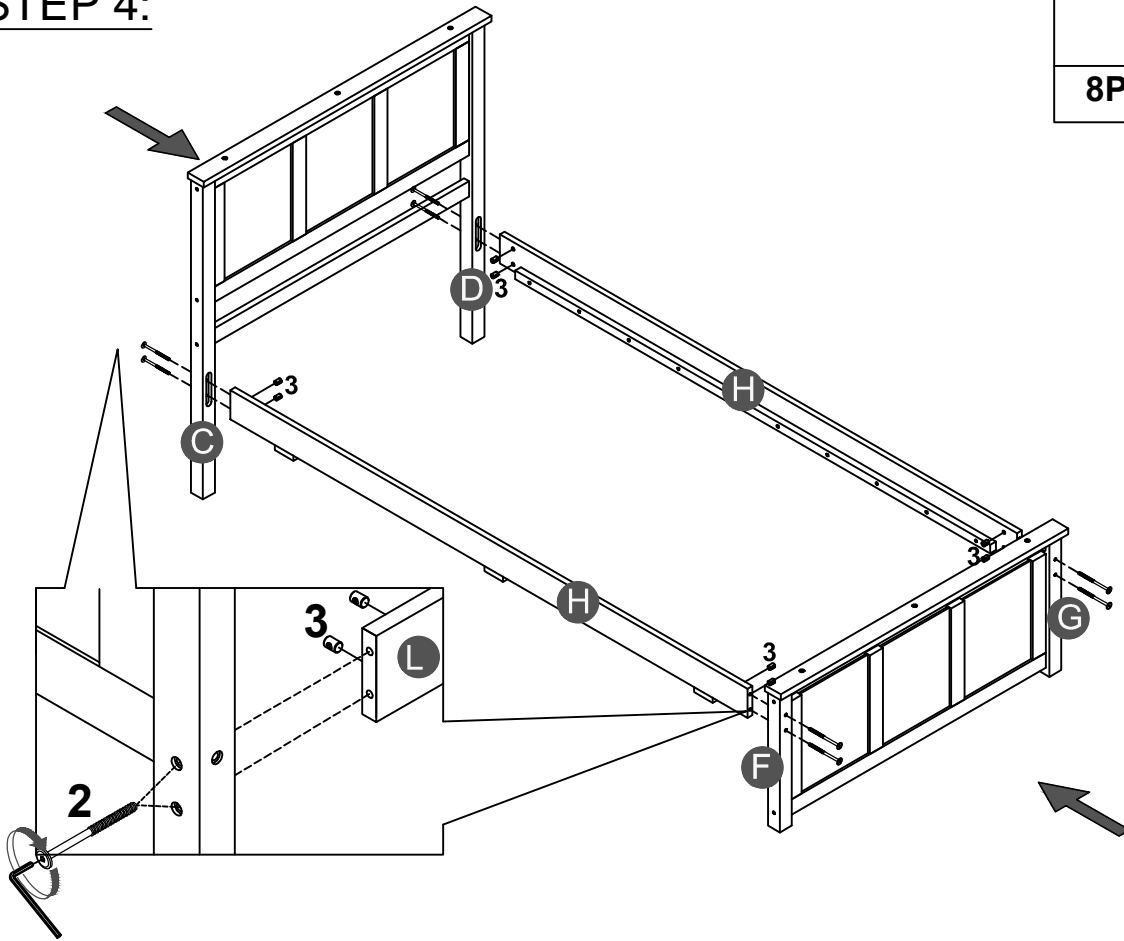
**STEP 3:**



Wood support drawer (8) with side rail(front) by using screw (5).


### STEP 4:

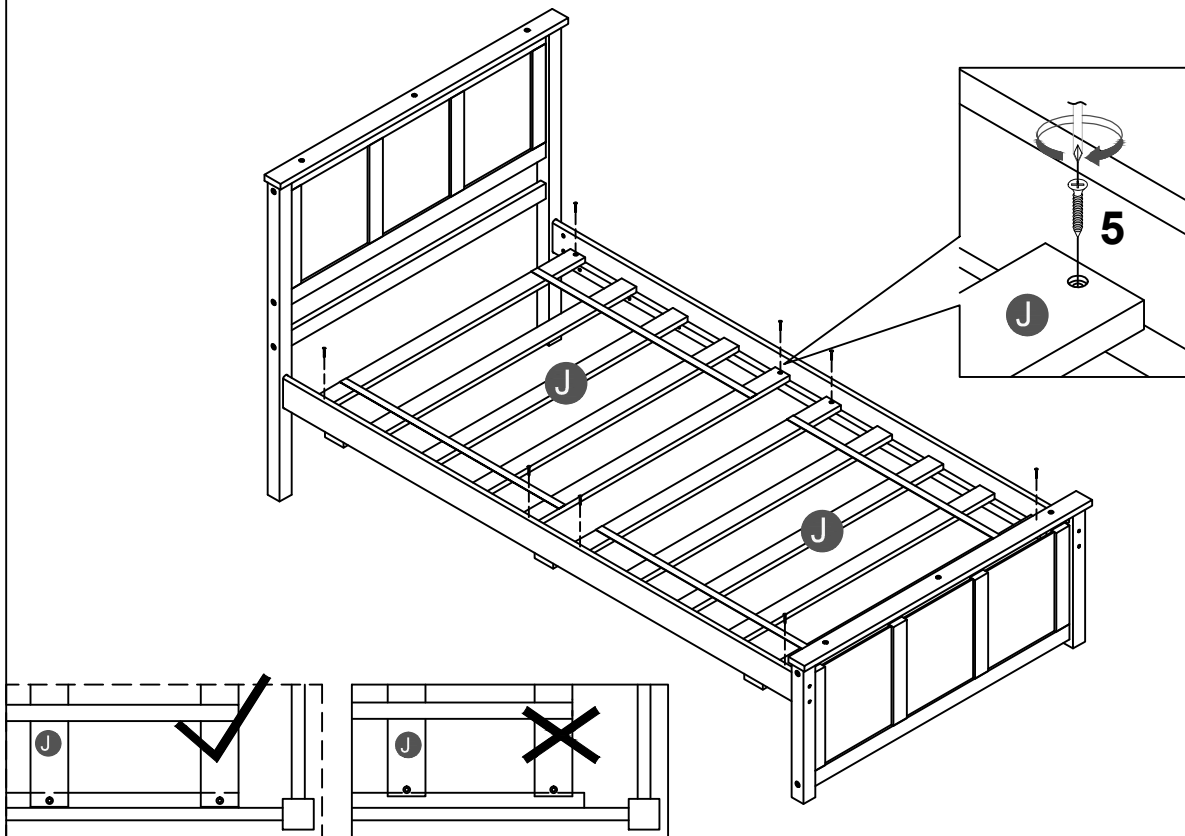
<b>2</b>		<b>3</b>	
<b>8PCS</b>		<b>8PCS</b>	



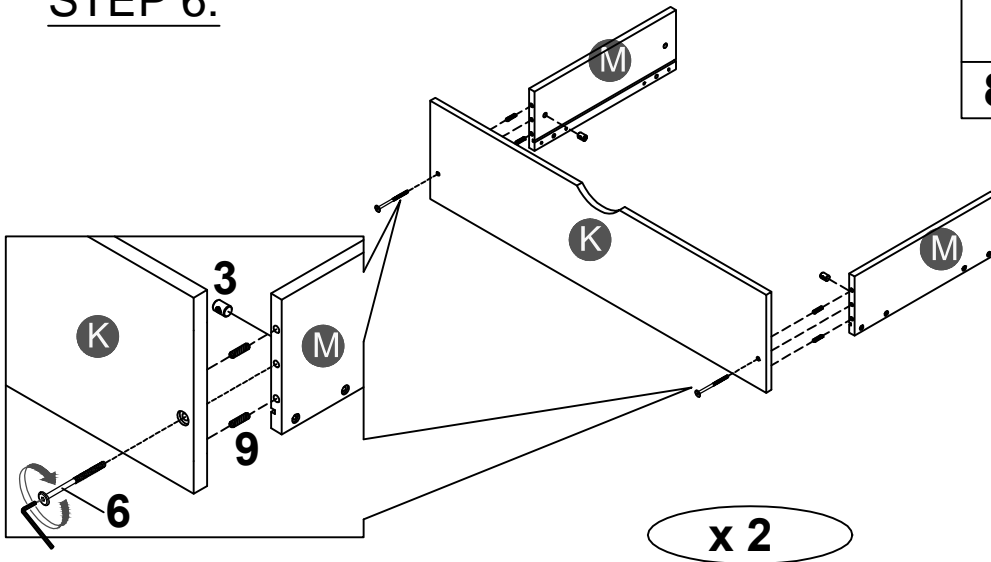
### STEP 5:

Note: Do not lock the screws of the bed slats to the outermost edge of the bed slats, you need to leave a certain space at the edges, otherwise it will cause the board to break

<b>5</b>	
<b>8PCS</b>	

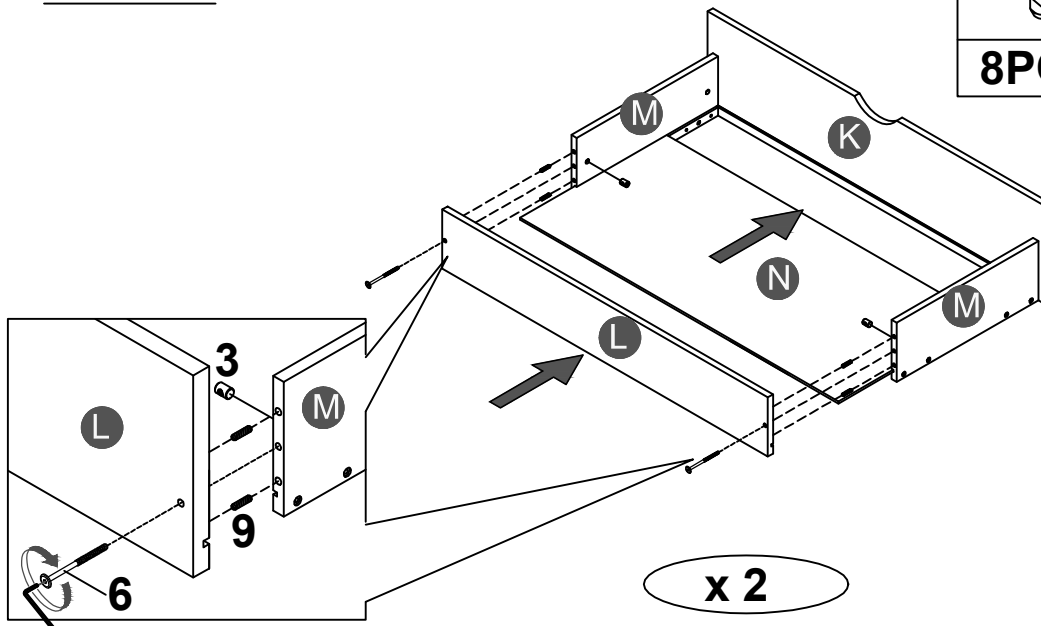


**STEP 6:**



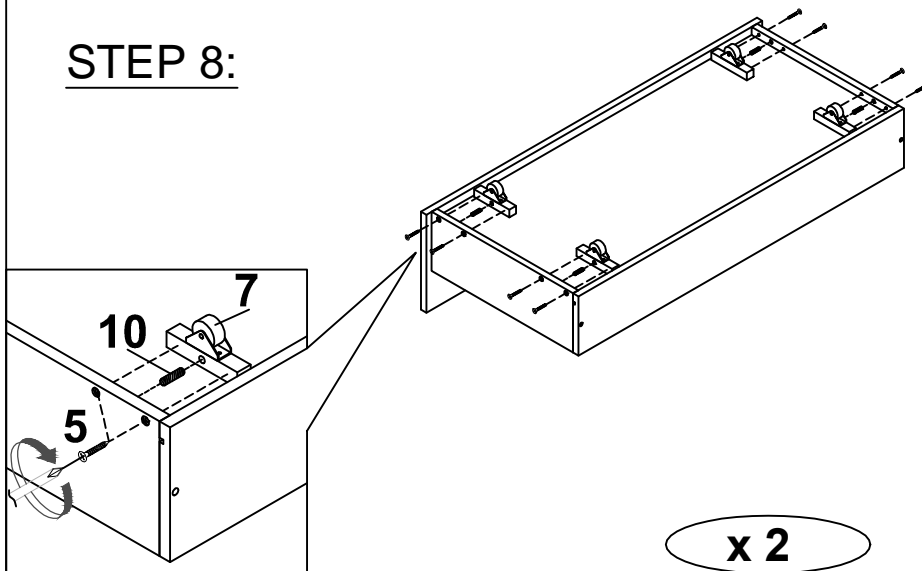
<b>9</b>		<b>3</b>		<b>6</b>	
	<b>8PCS</b>		<b>4PCS</b>		<b>4PCS</b>

**STEP 7:**



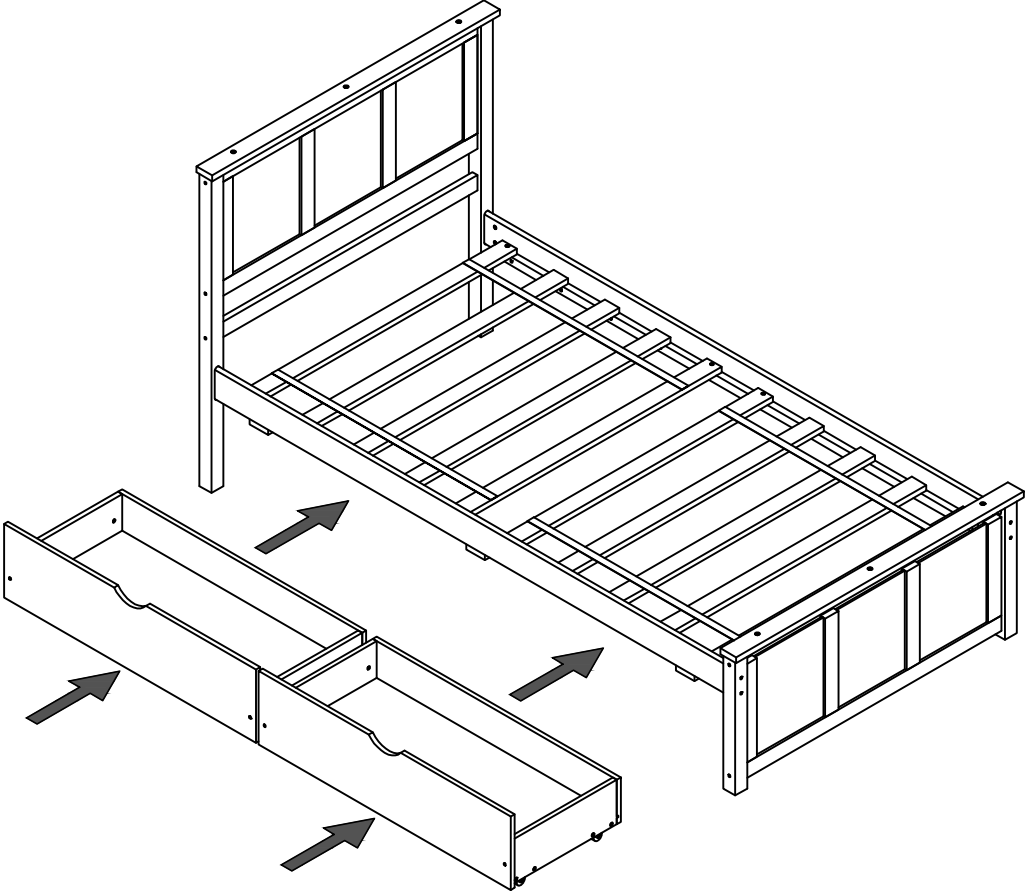
<b>9</b>		<b>3</b>		<b>6</b>	
	<b>8PCS</b>		<b>4PCS</b>		<b>4PCS</b>

**STEP 8:**



<b>10</b>		<b>5</b>		<b>7</b>	
	<b>8PCS</b>		<b>16PCS</b>		<b>8PCS</b>

**STEP 9:**



Push Drawer under the bottom of Twin Bed.

