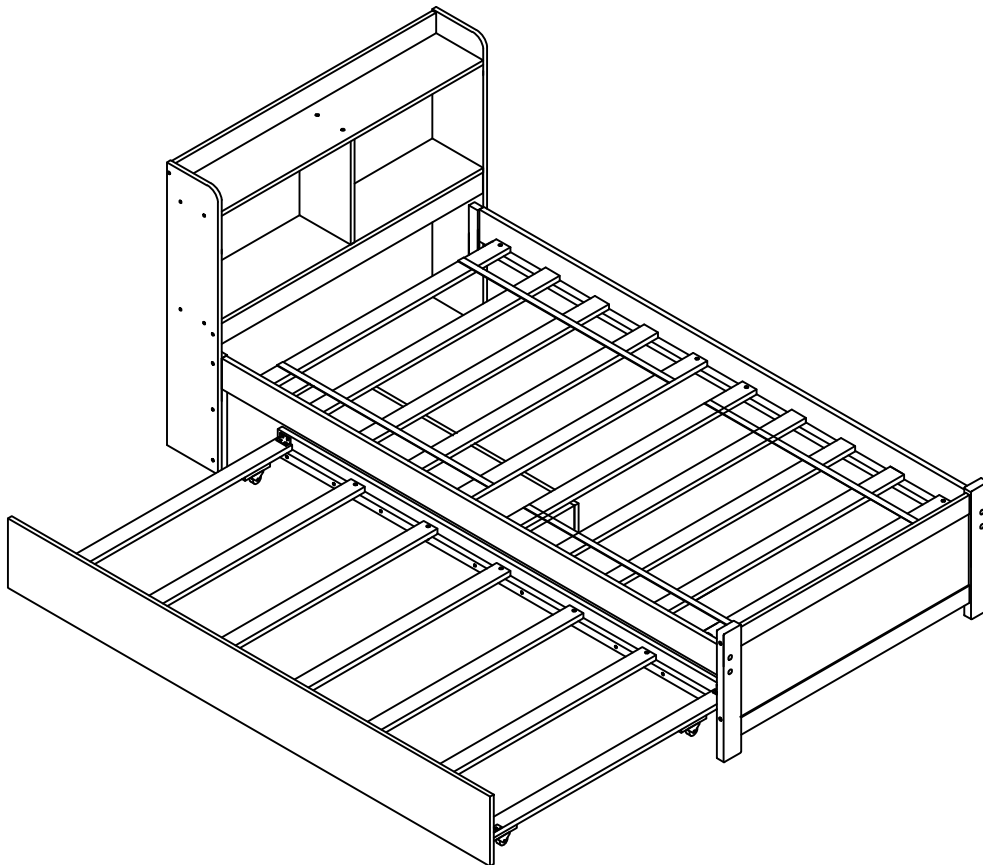
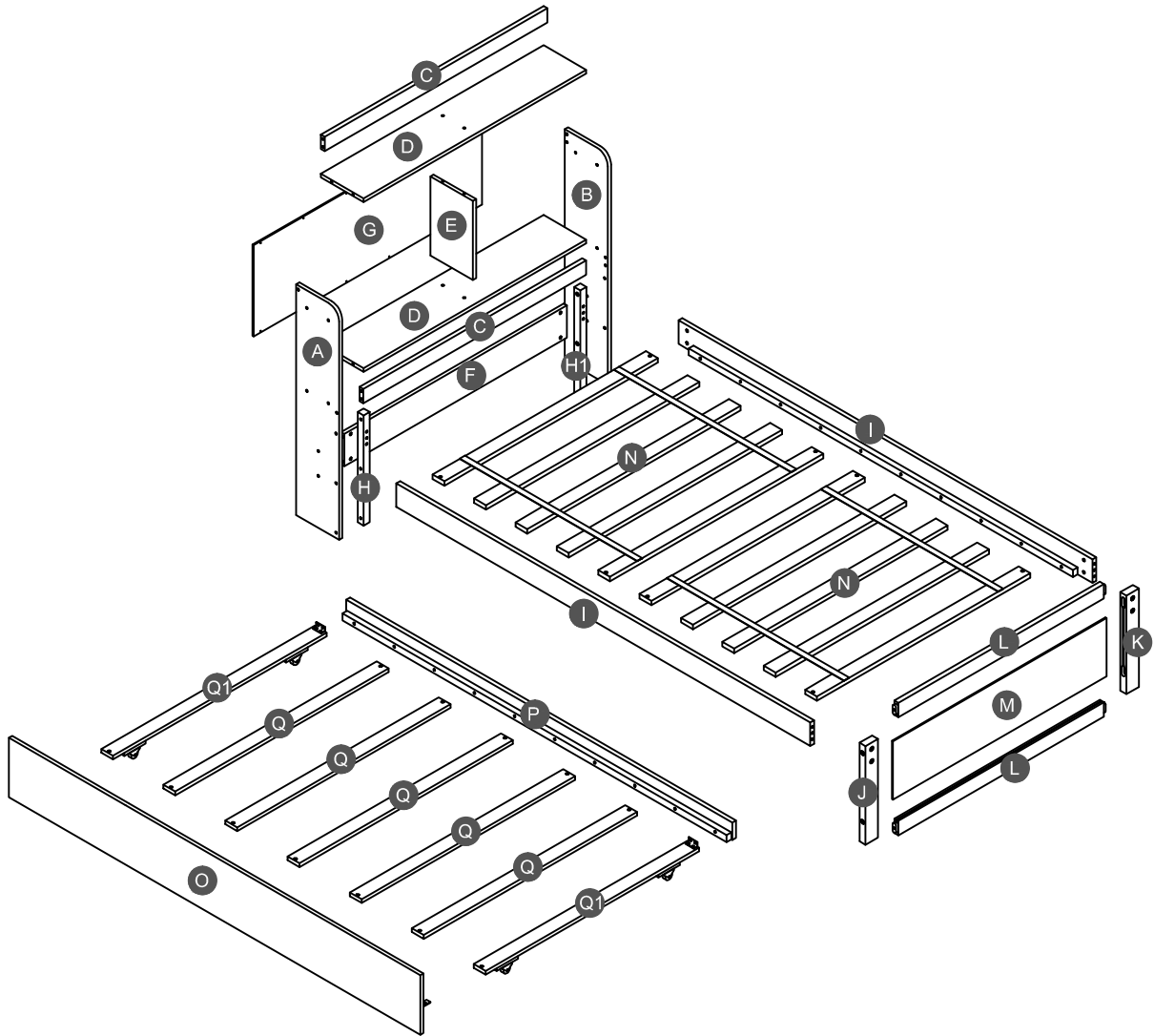


ASSEMBLY INSTRUCTIONS

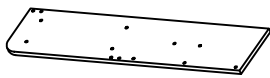
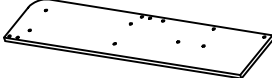

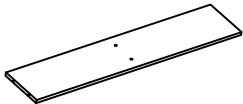


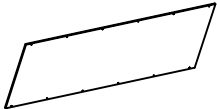
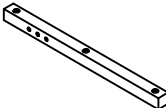
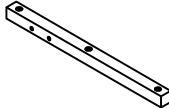

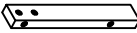
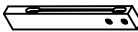

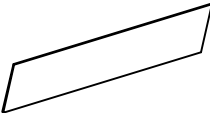
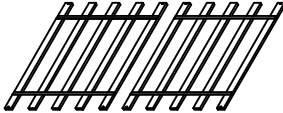

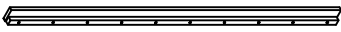


TWIN BED WITH BOOKCASE (PB) & TRUNDLE



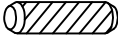

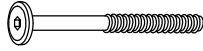
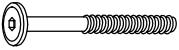


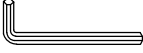

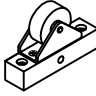



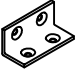
Detail View



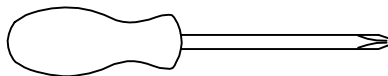
Part List

<p>A</p>  <p>Panel (left) - 1pc</p>	<p>B</p>  <p>Panel (right) - 1pc</p>	<p>C</p>  <p>HB horizontal - 2pcs</p>
<p>D</p>  <p>Top - Shelf panel - 2pcs</p>	<p>E</p>  <p>Middle panel- 1pc</p>	<p>F</p>  <p>Crossbar-1pc</p>
<p>G</p>  <p>Back panel - 1pc</p>	<p>H</p>  <p>Leg HB (left) - 1pc</p>	<p>H1</p>  <p>Leg HB (right) - 1pc</p>
<p>I</p>  <p>Side rail - 2pcs</p>	<p>J</p>  <p>Leg FB (left) - 1pc</p>	<p>K</p>  <p>Leg FB (right) - 1pc</p>
<p>L</p>  <p>FB horizontal bar - 2pcs</p>	<p>M</p>  <p>Side panel FB - 1pc</p>	<p>N</p>  <p>Slats - (10pcs)</p>
<p>O</p>  <p>Front panel of Trundle - 1pc</p>	<p>P</p>  <p>Back panel side rail of Trundle -1pc</p>	<p>Q</p>  <p>Slats - 5pcs</p>
<p>Q1</p>  <p>Slats - 2pcs</p>		

Hardware List

1  Ø8*30mm Wood dowel (8pcs)	2  (Ø15)1/4"*100mm Hex-Head bolts (4pcs)	3  (Ø15)1/4"*80mm Hex-Head bolts (8pcs)
4  (Ø12)1/4"*60mm Hex-Head bolts (20pcs)	5  (Ø12)1/4"*40mm Hex-Head bolts (6pcs)	6  1/4"*15 (9.5mm) Horizontal-Hole bolts (32pcs)
7  (1/4")4.5*58mm Allen key (1pc)	8  Ø4*30mm Wood screws (30pcs)	9  100*63*20mm Wheels (4pcs)
10  Ø3.5*15mm Wood screws (12pcs)	11  Ø3.5*15mm Wood screws (16pcs)	12  95*95*18*3mm Metal bracket (2pcs)
13  40*18*18*2mm Metal bracket (2pcs)		

ASSEMBLY TOOLS REQUIRED (NOT INCLUDED)



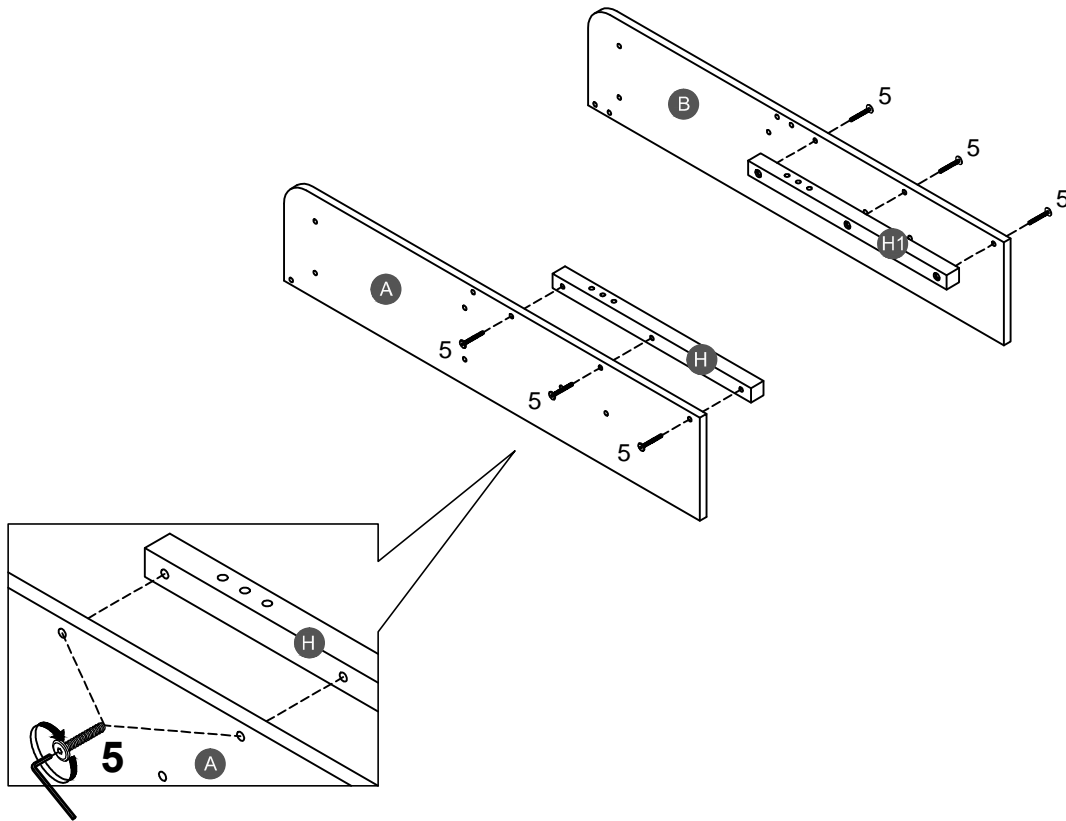
PLEASE BE CAREFUL DO NOT DAMAGE THE HOLE POSITION WHEN YOU USE POWER TOOLS !

STEP 1:

5



6PCS



STEP 2:

4

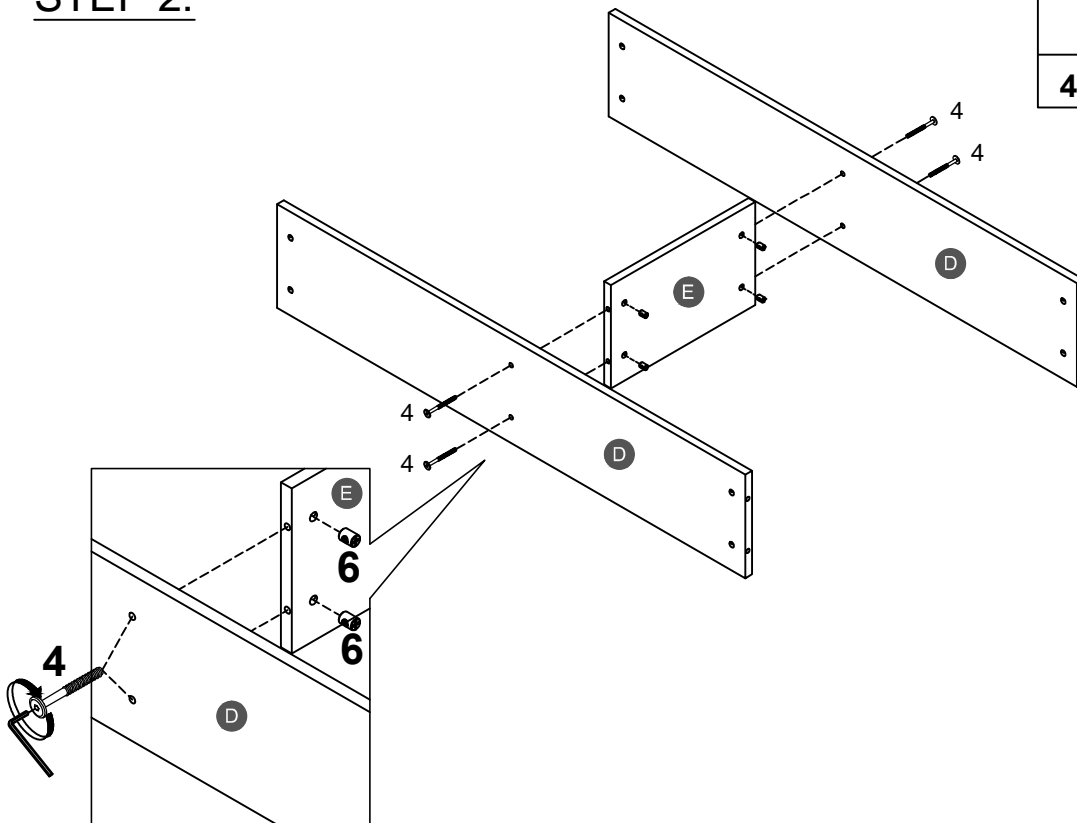


4PCS




6

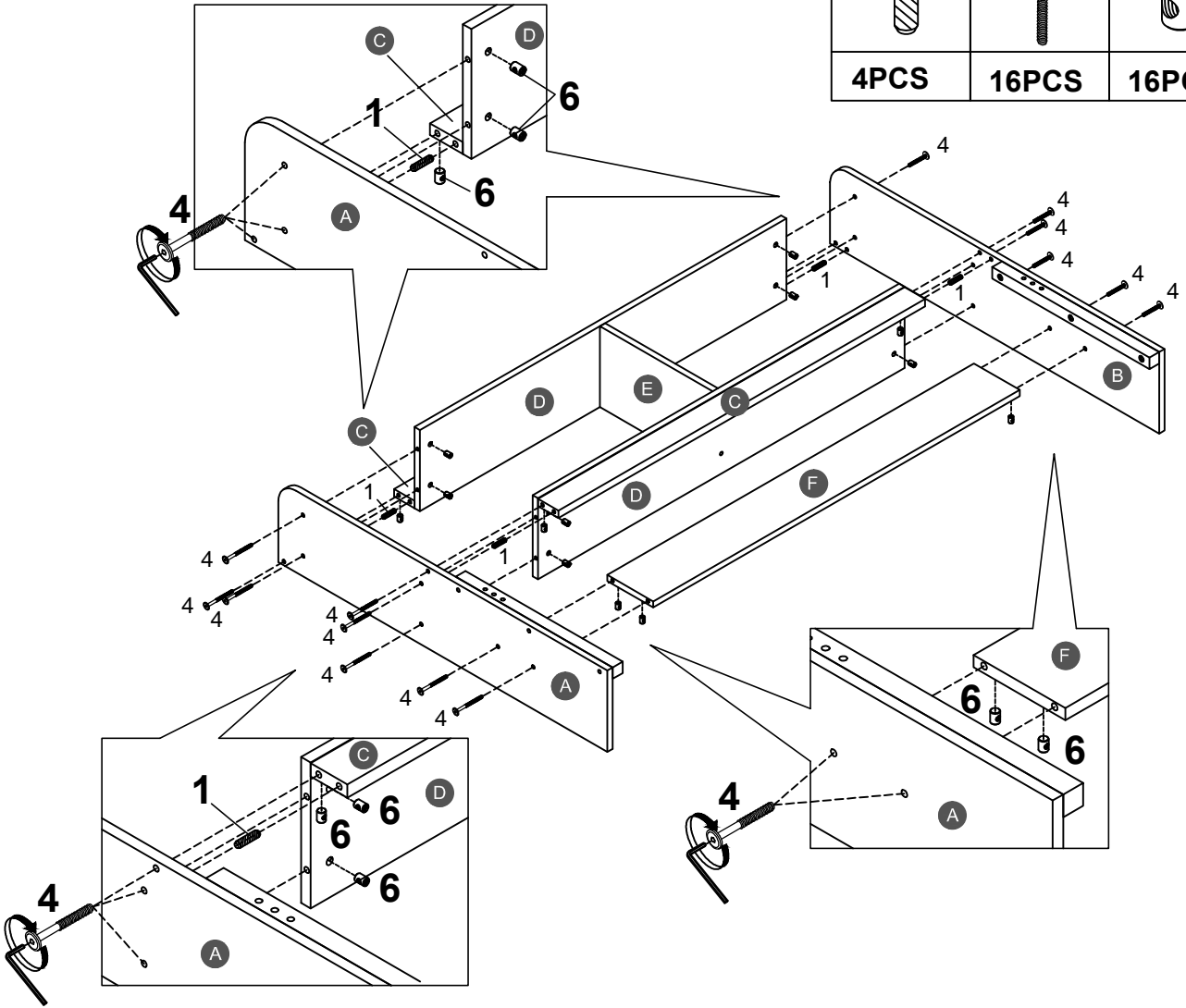


4PCS




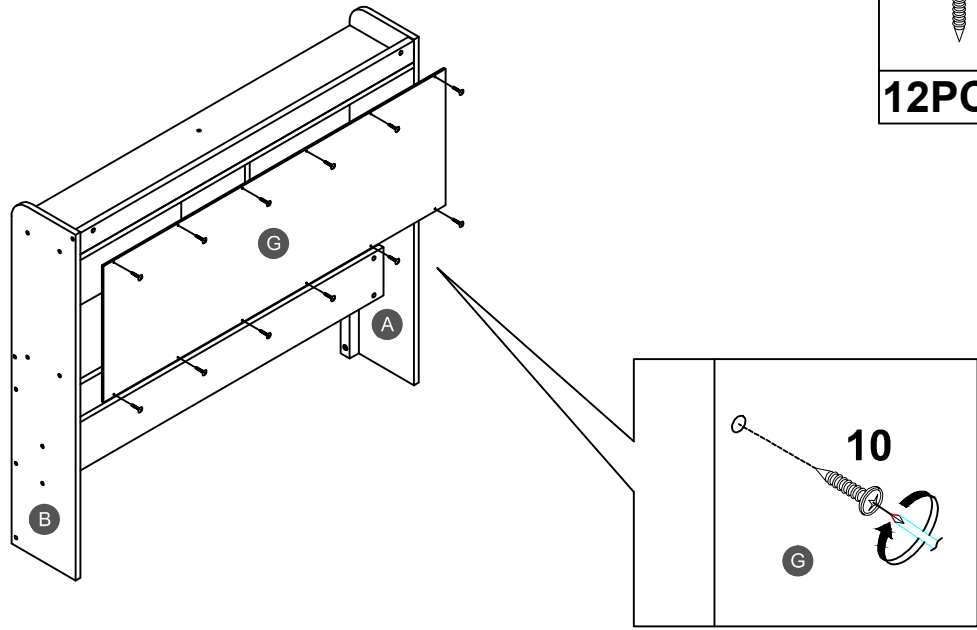
STEP 3:

1		4		6	
4PCS		16PCS		16PCS	

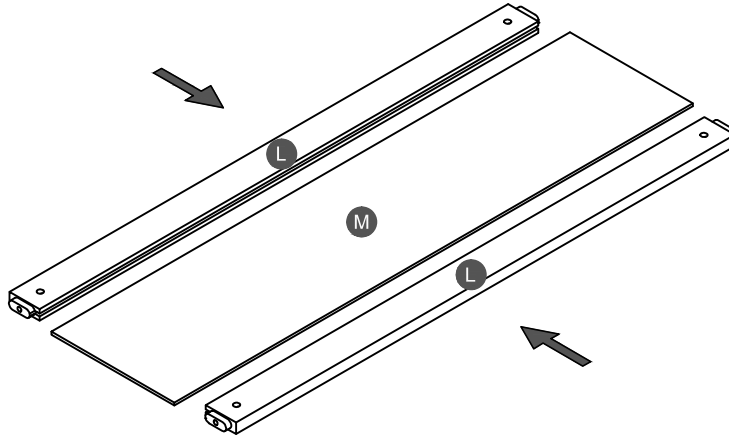


STEP 4:



10	
12PCS	

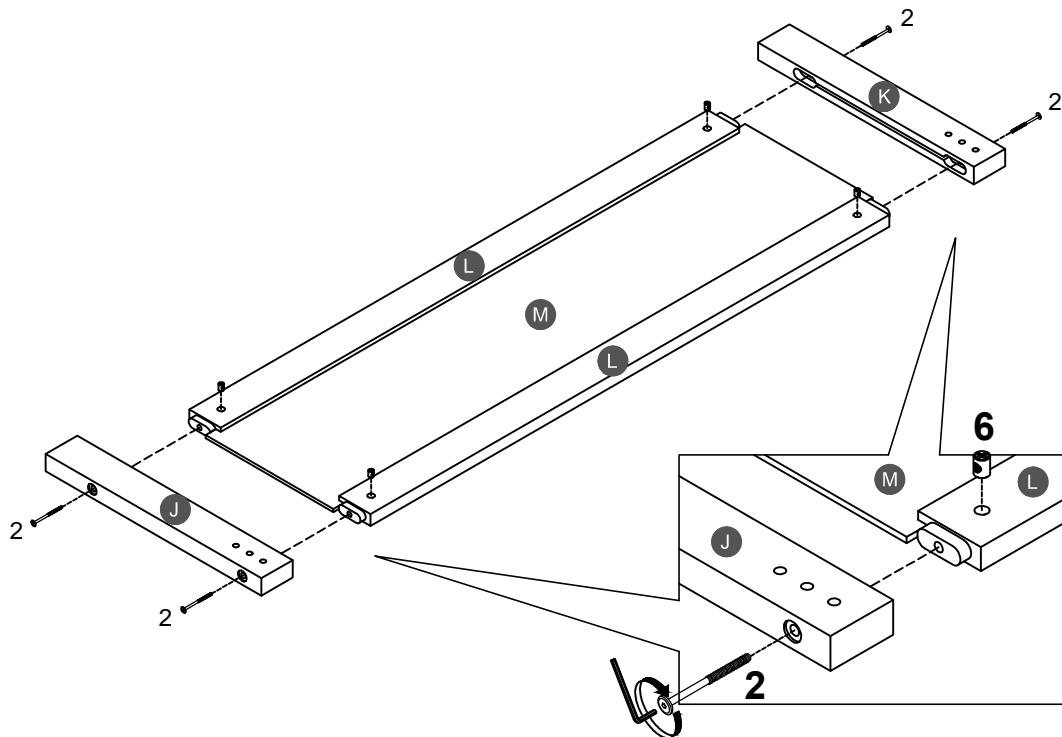


STEP 5:






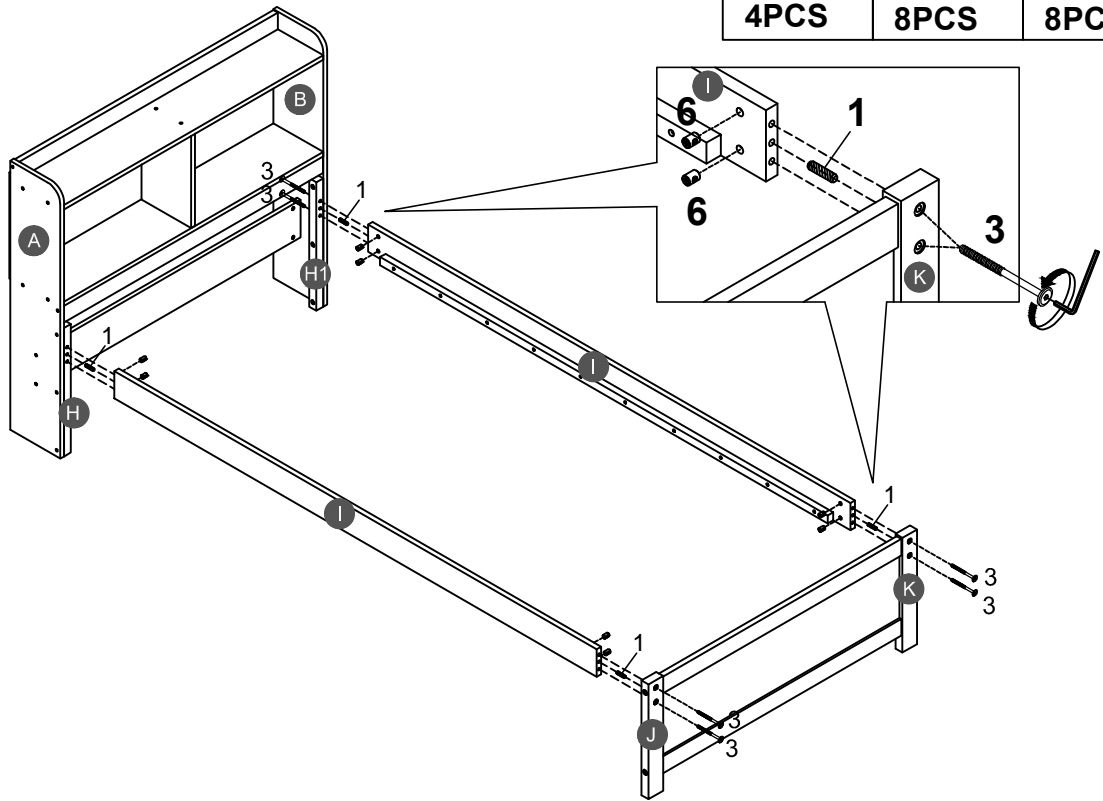
STEP 6:

2		6	
4PCS		4PCS	




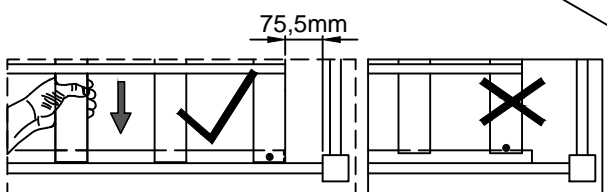
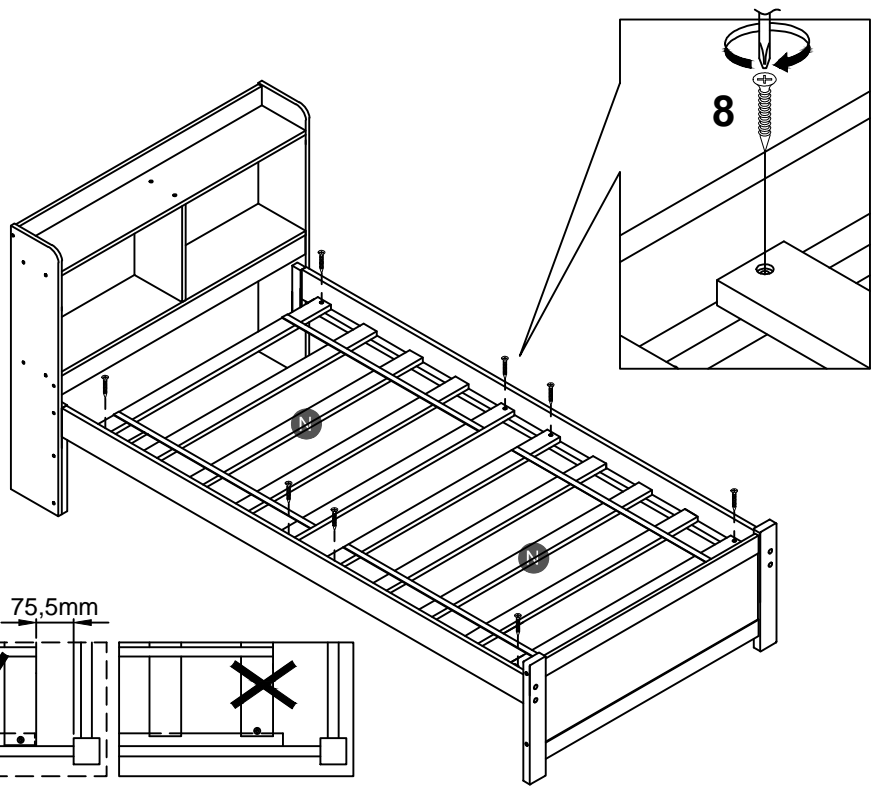
STEP 7:

1		3		6	
4PCS		8PCS		8PCS	




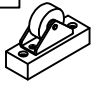
STEP 8:

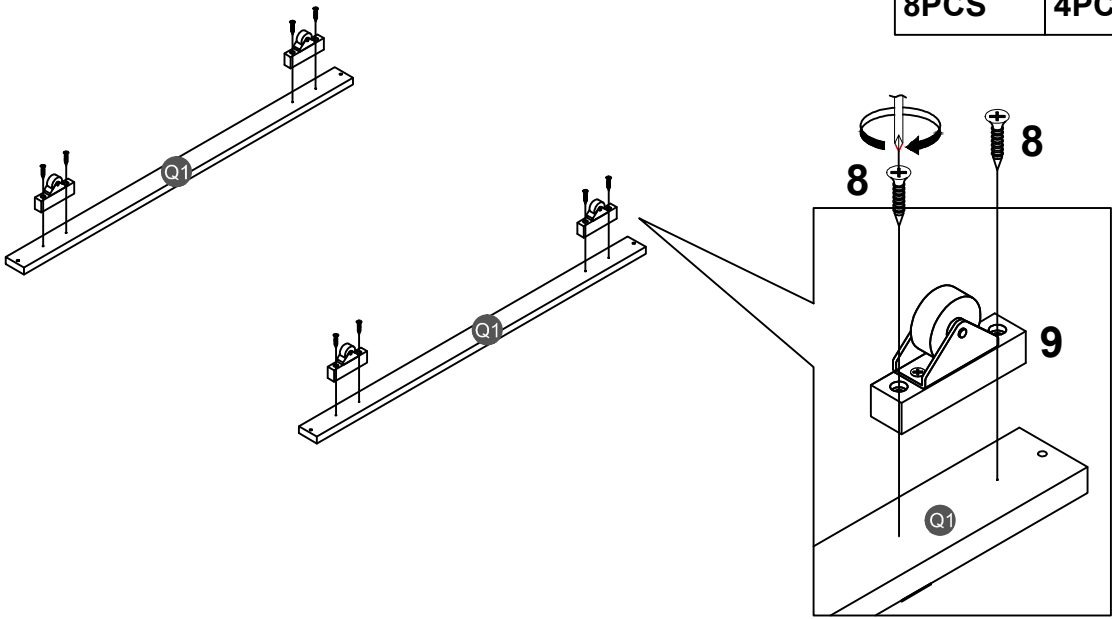
8	
8PCS	




Note: Do not lock the screws of the bed slats to the outermost edge of the bed slats, you need to leave a certain space at the edges, otherwise it will cause the board to break. Do not lock the bed slats on the edge of the wood, please hold firmly before screwing, hold it in place with one hand, then lock the screw.

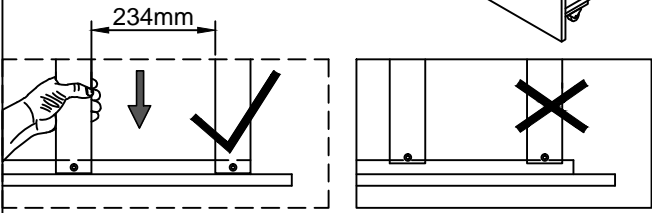
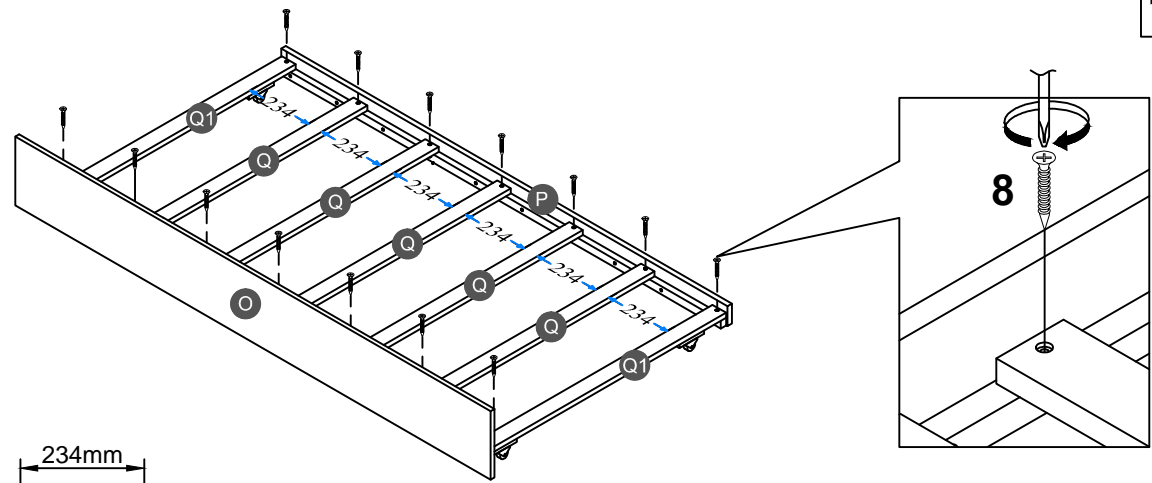
STEP 9:

8		9	
8PCS		4PCS	





STEP 10:

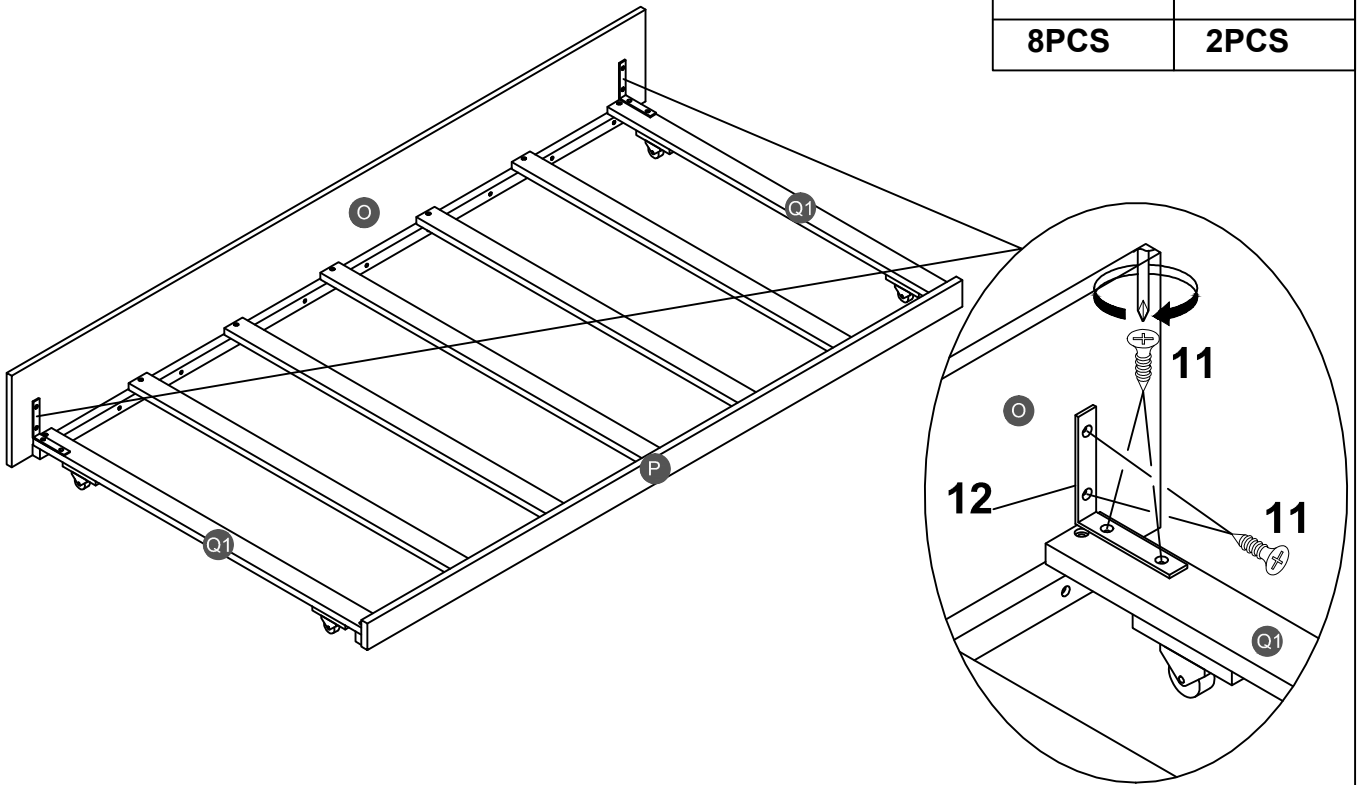
8	
14PCS	




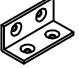
Note: Do not lock the screws of the bed slats to the outermost edge of the bed slats, you need to leave a certain space at the edges, otherwise it will cause the board to break.
Do not lock the bed slats on the edge of the wood, please hold firmly before screwing , hold it in place with one hand, then lock the screw.

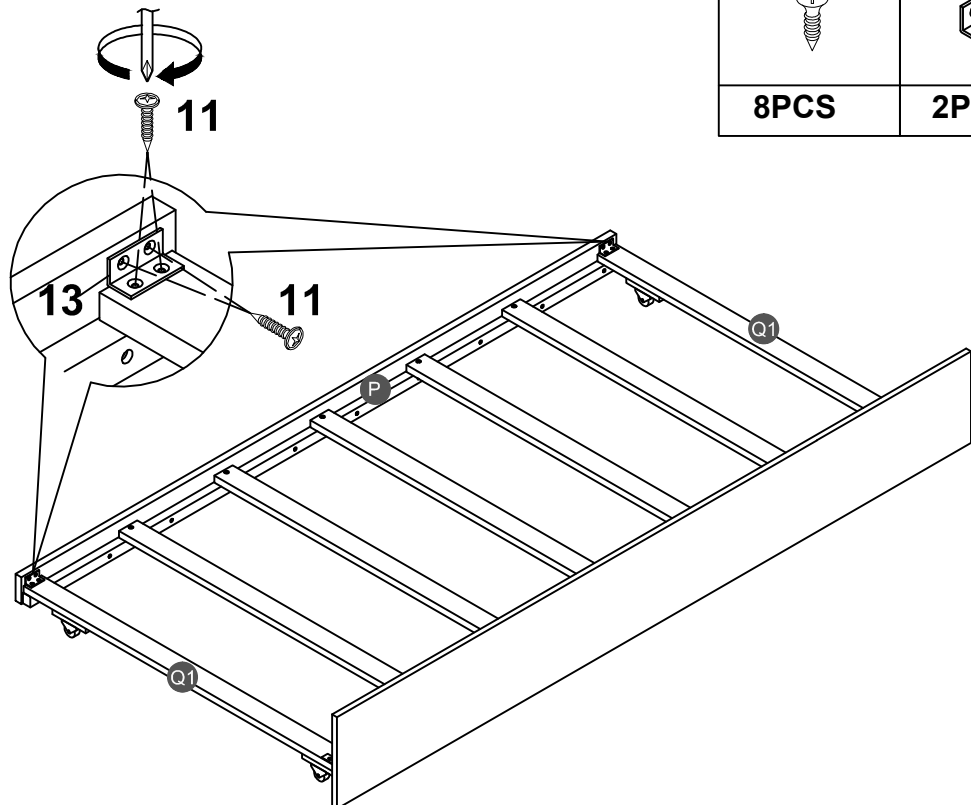
STEP 11:

11		12	
8PCS		2PCS	

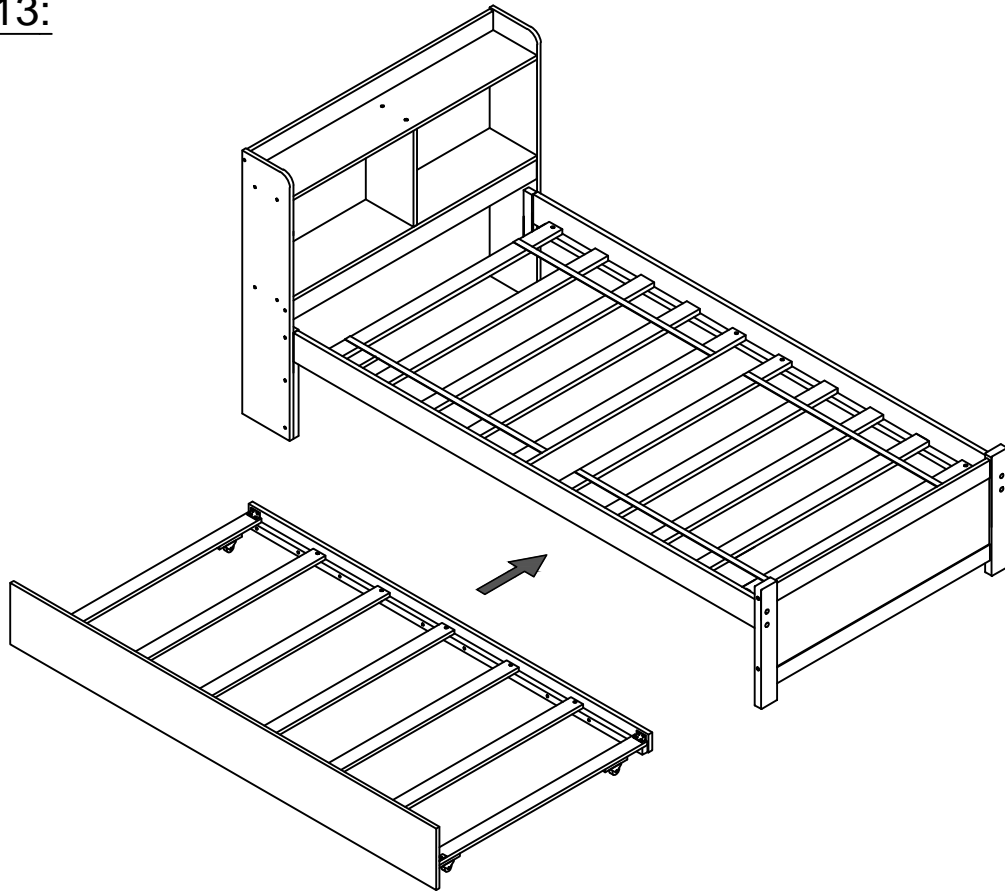


STEP 12:

11		13	
8PCS		2PCS	



STEP 13:



Push Trundle and Drawer under the bottom of Bunkbed.

