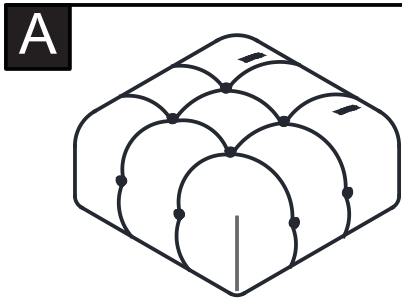
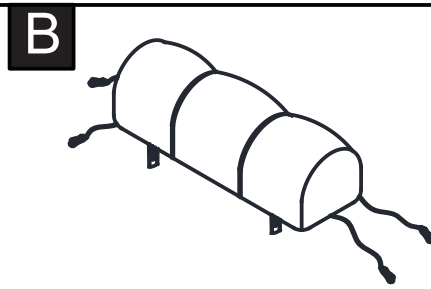


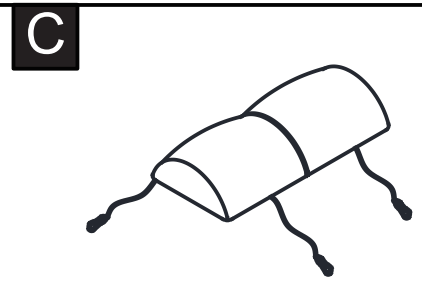
# ASSEMBLY INSTRUCTION



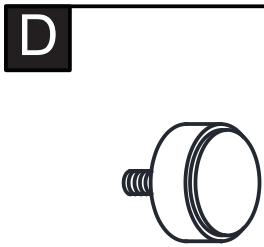
1pc



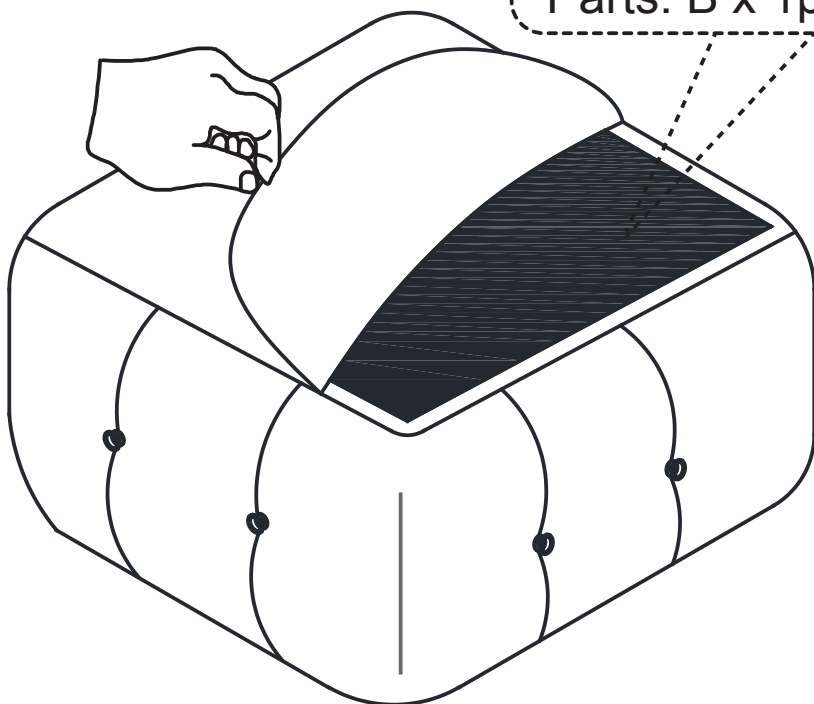
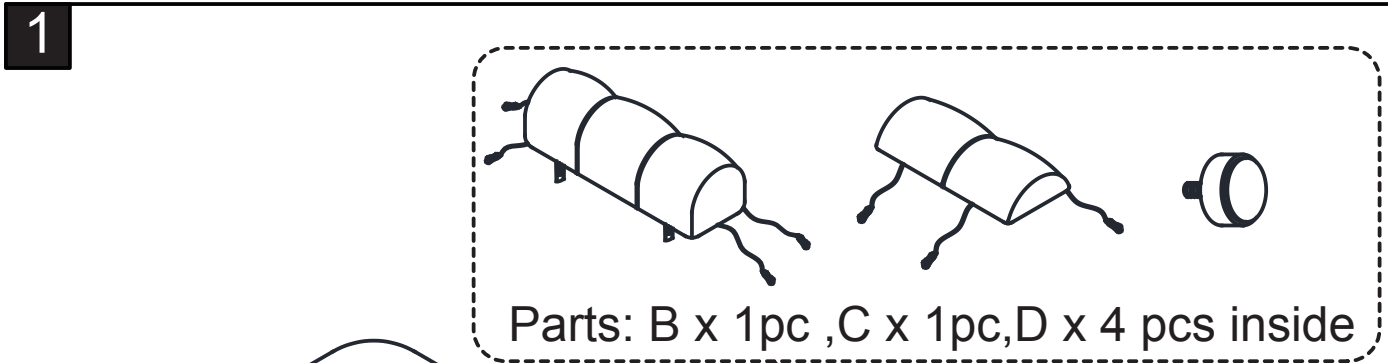
1pc



1pc

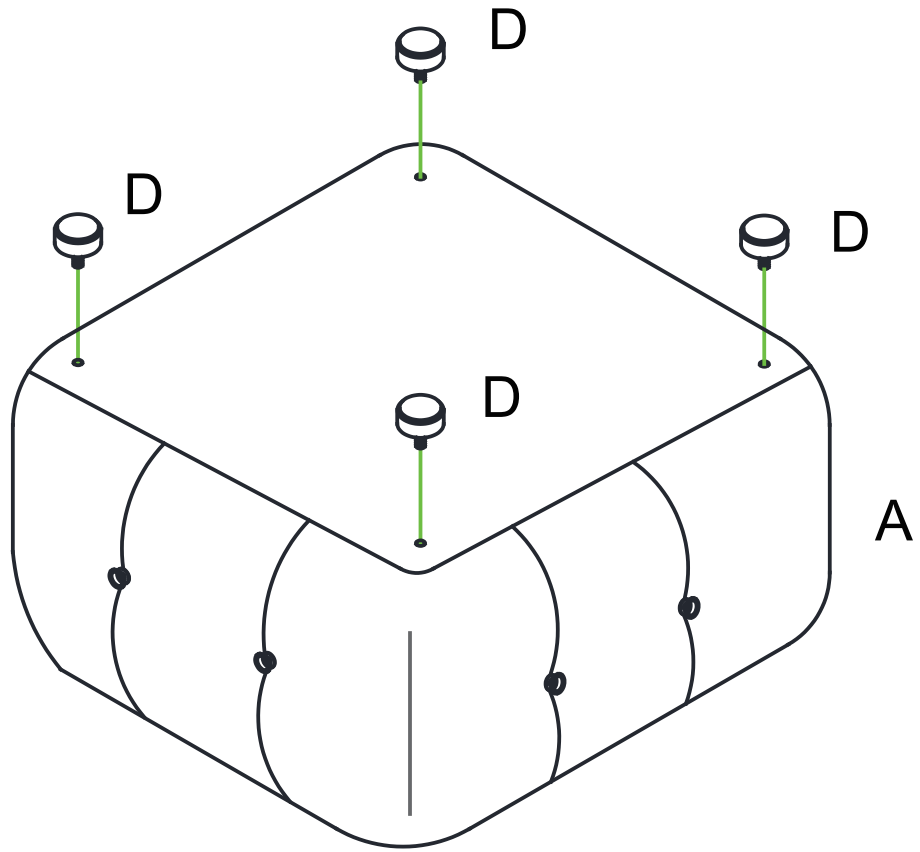


4pcs

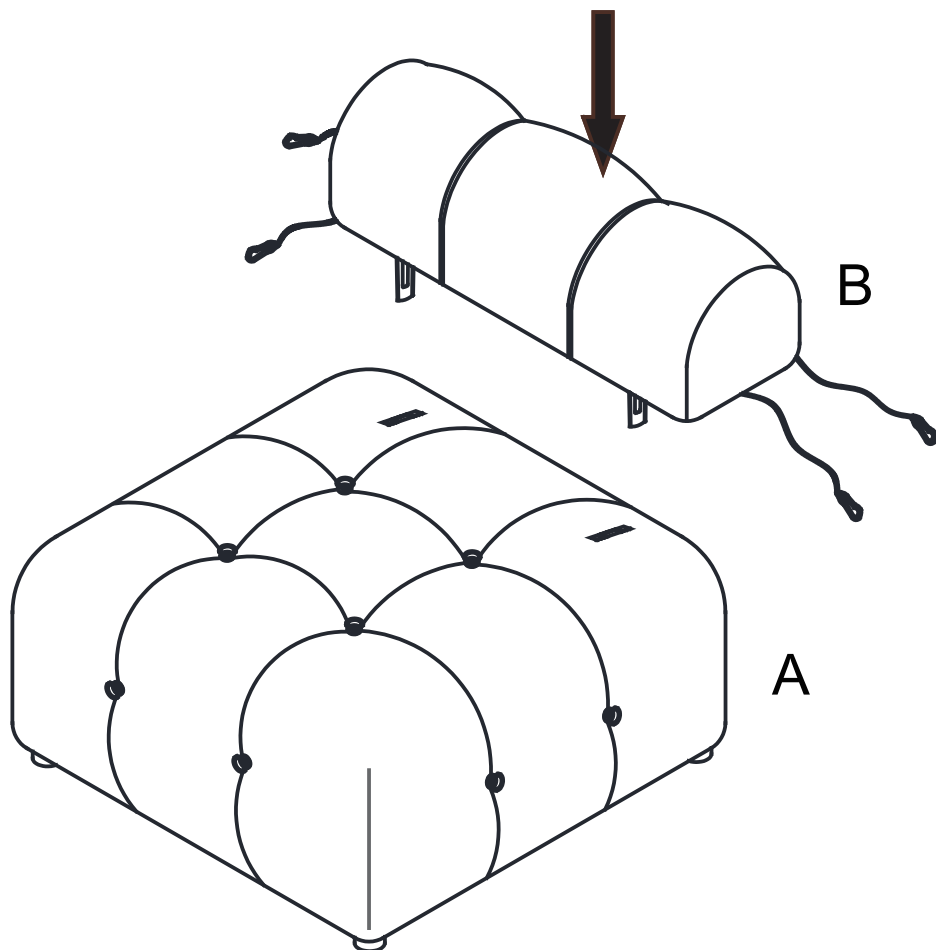


A

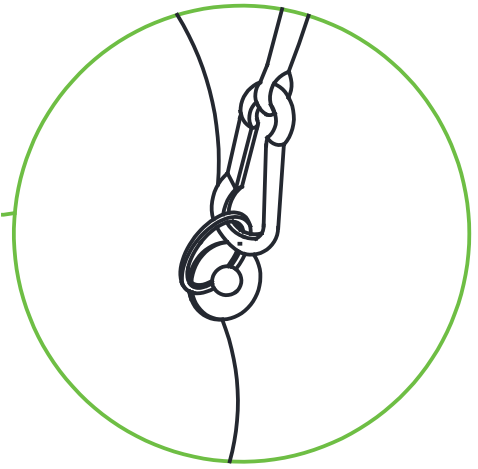
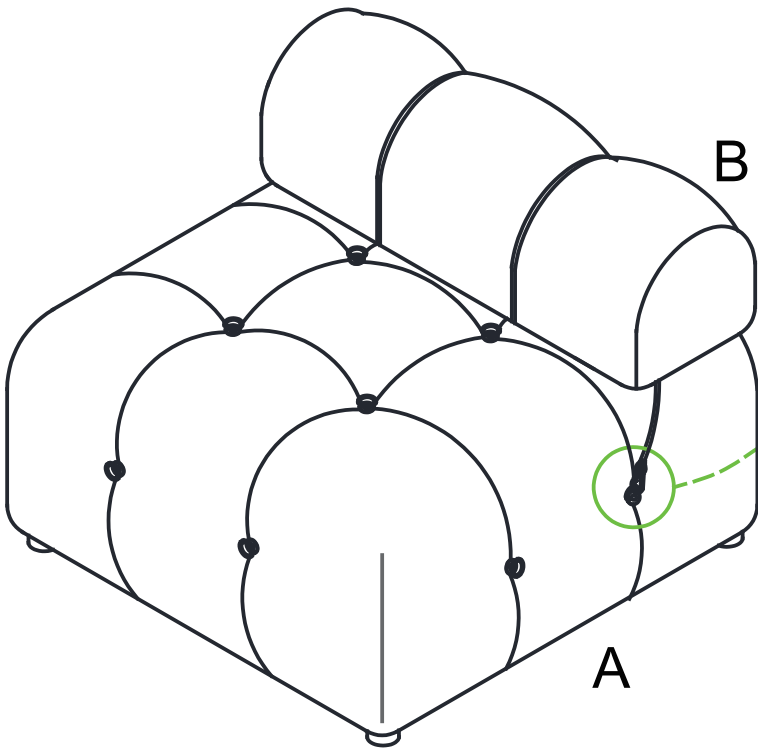
2



3

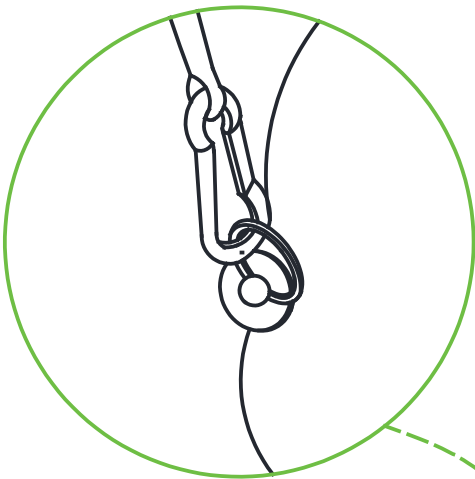


4



TOTAL 4 BUTTON (B)

5



TOTAL 5 BUTTOM (C)

