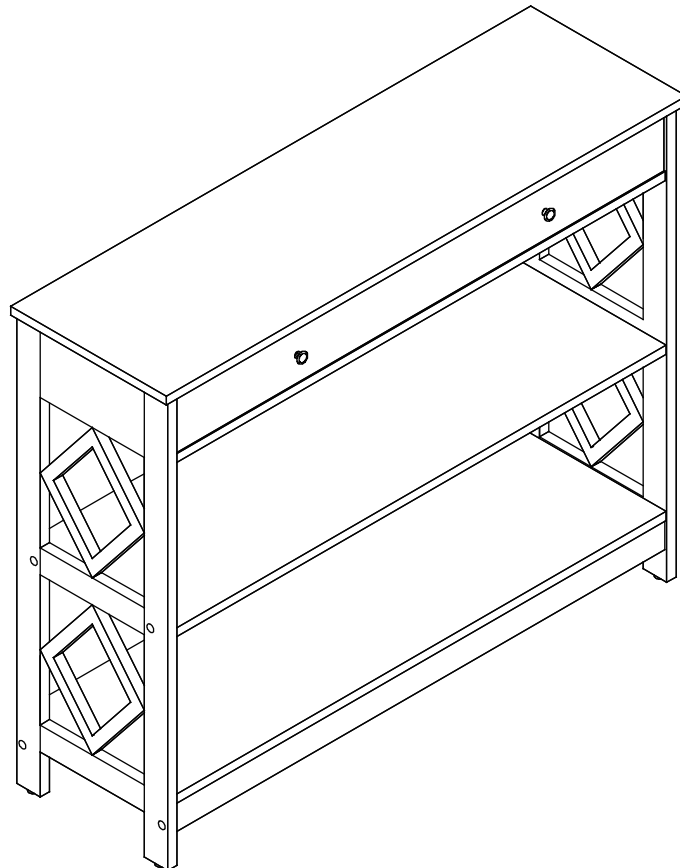




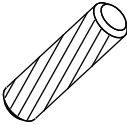


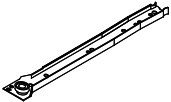
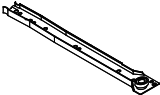
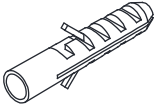
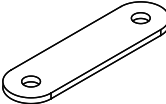
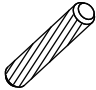
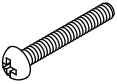
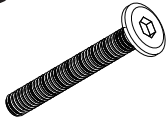

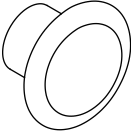
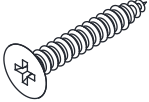
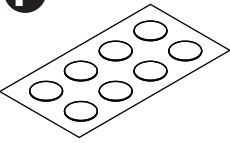

DIAMOND 1 DRAWER CONSOLE TABLE



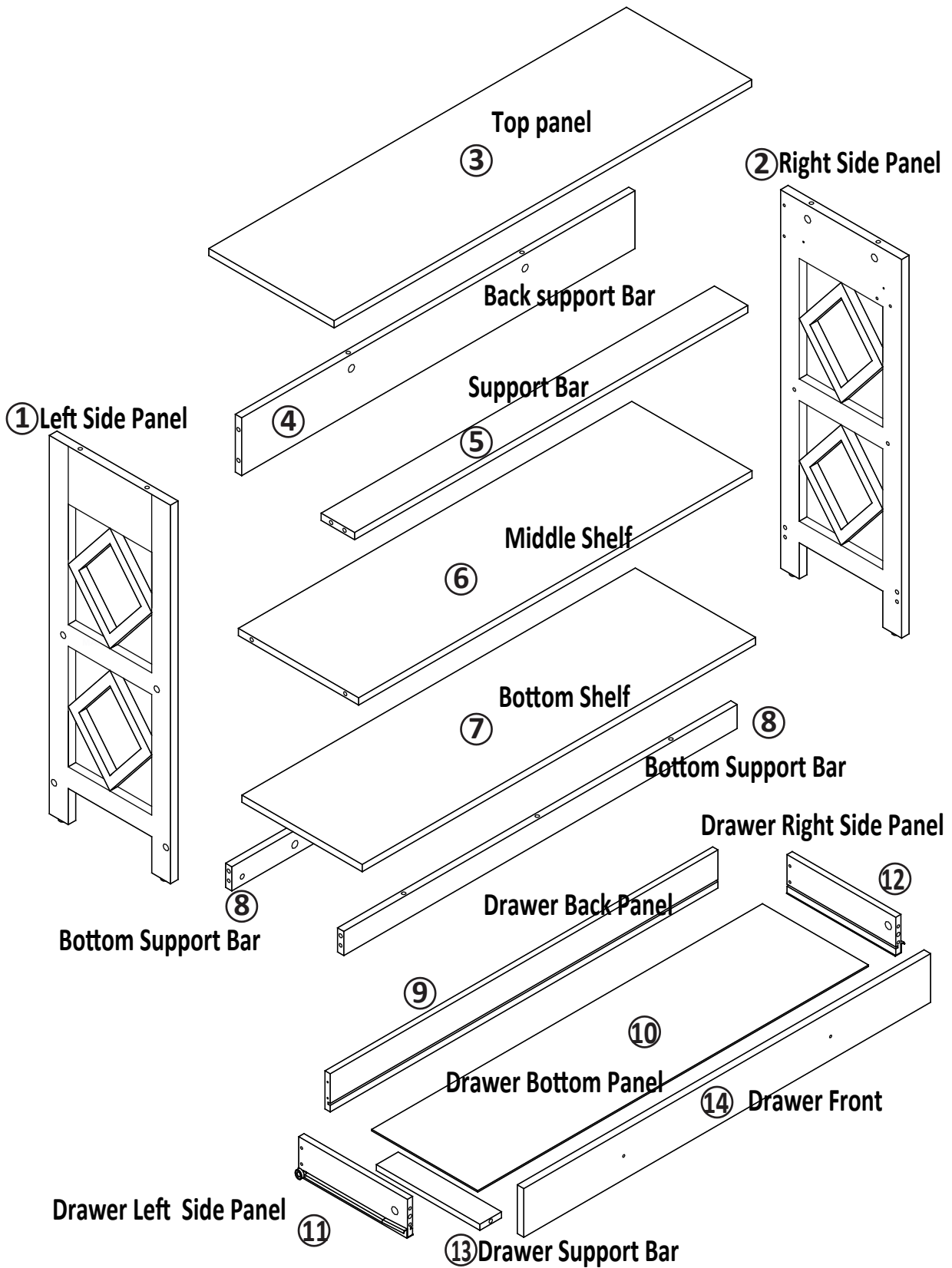
ASSEMBLY INSTRUCTIONS

We have designed our furniture with you , the customer in mind . Our clear , easy to follow , step by step instructions will guide you through the project from start to finish . Feel confident that this will be a fun and rewarding project . The final product will be a quality piece of furniture that will go together smoothly and give years of enjoyment .

Hardware List

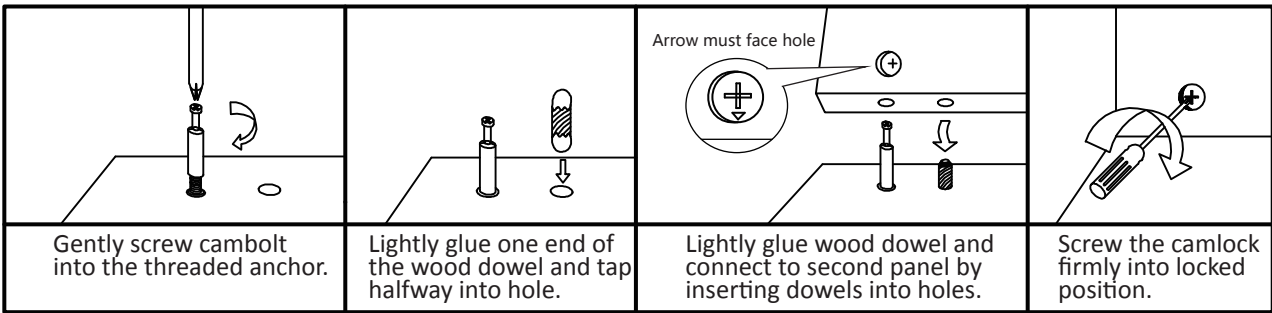
A 	B 	C 	D 	E 
Cam Bolt (23pcs)	Cam Lock (23pc)	Wood Dowel(4pcs)	Screw (7pc)	Small Screw (4pc) 3.5*12
F 	G 	H 	I 	J 
Left Glide (1pc)	Right Glide (1pc)	Anchor (2pc)	Anti-Tip Bracket (2pcs)	Skinny Wooden Dowel (4pcs)
K 	L 	M 	N 	O 
Handle Screw (2pcs)	Allen Bolt(8pcs)	LOCK Nut(8pcs)	Handle (2pc)	Small Screw (2pc)
P 	Q 			
Stickers (8pc)	Allen Wrench(1pcs)		Glue : For securing please apply to wood dowel first before inserting into panel .	

Panel List



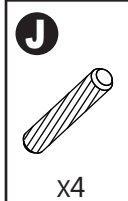
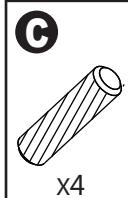
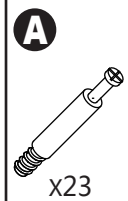
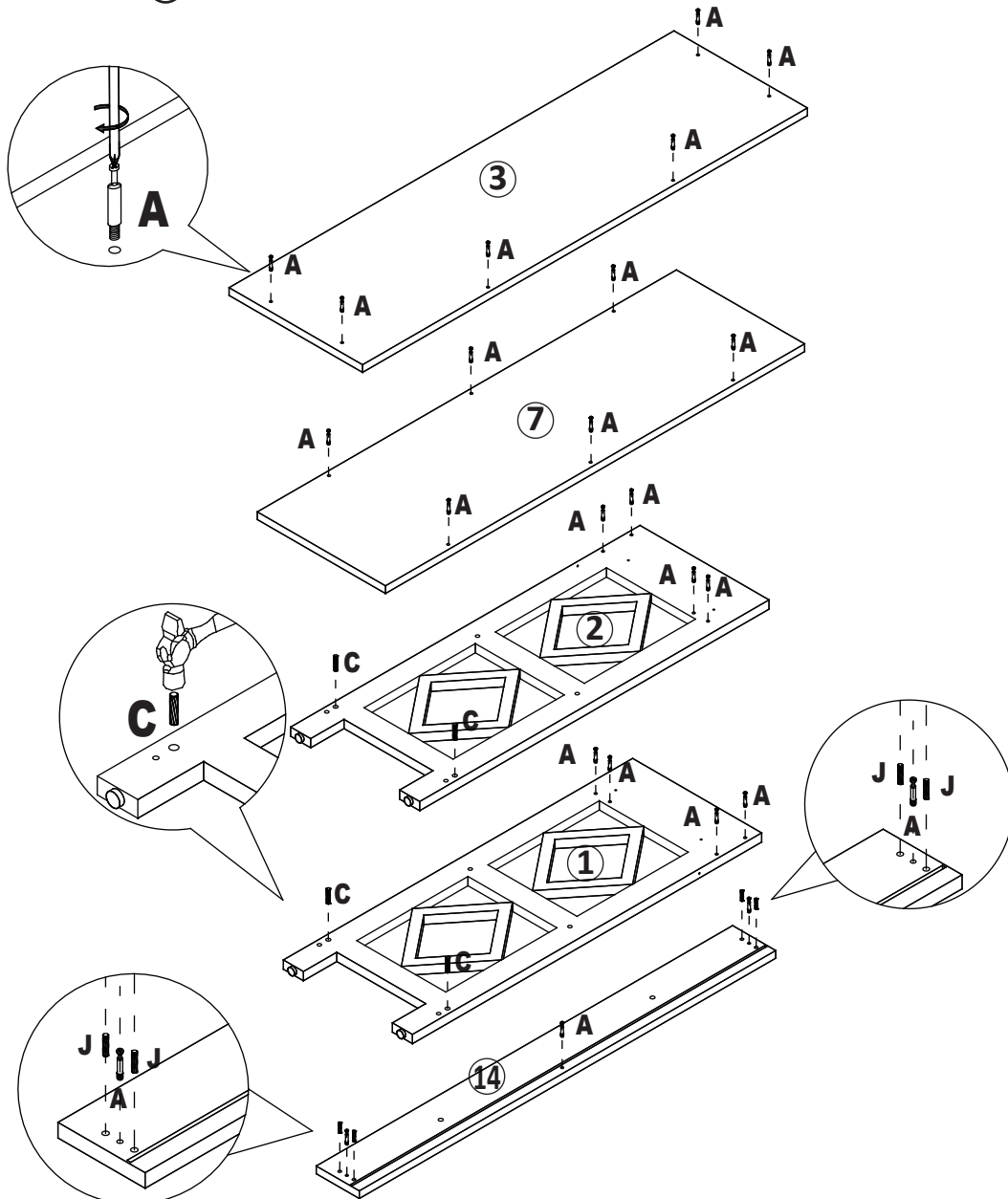
Please count and verify all parts before assembly .

Assembling the unit with camlocks and wood dowels.



Step 1

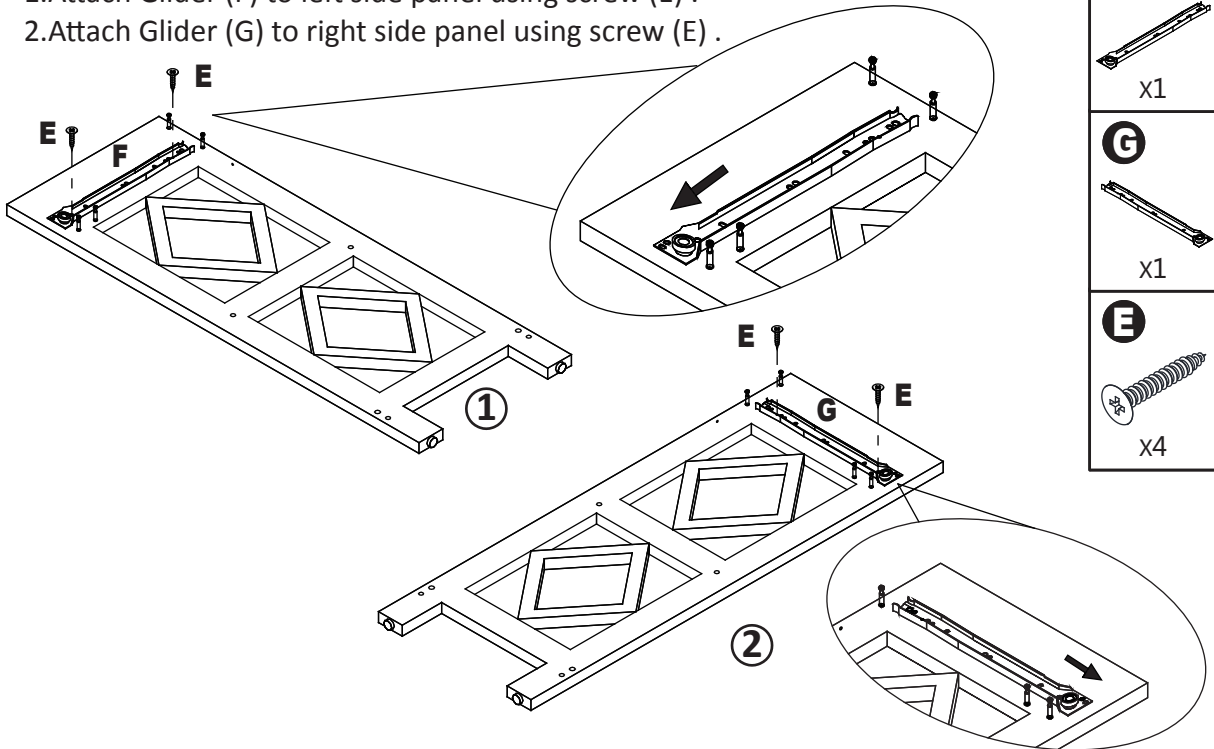
1. Screw Cambolts (A) into Top Panel (1) Bottom shelf (7), Left Side Panel (1) and Right Side Panel (2) and Drawer Front (14) as shown.
2. Insert Wood Dowels into Left Side Panel (1), Right Side Panel (2) and Drwer Front (14).



Step 2

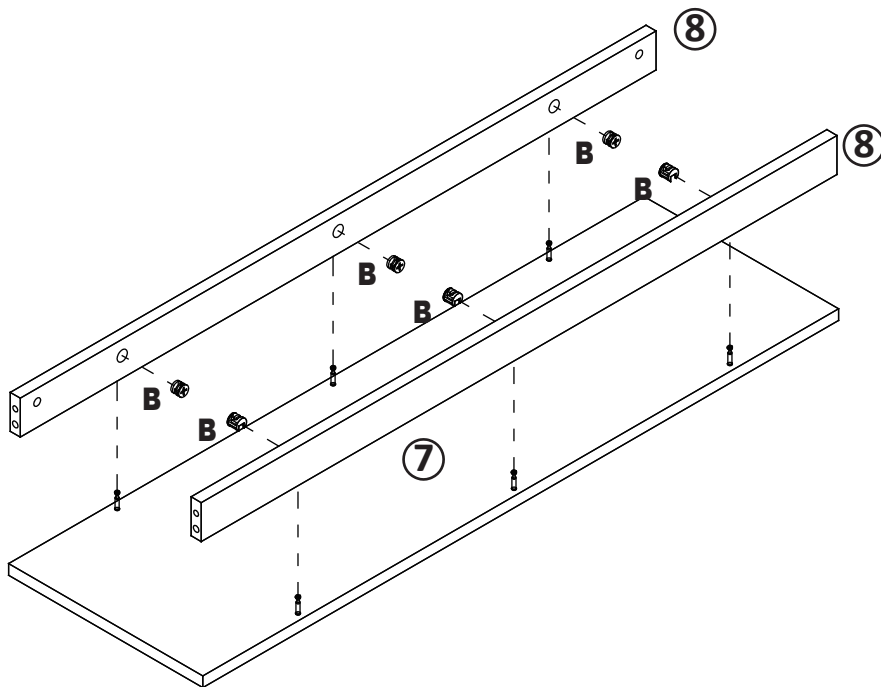
*Assemble unit on carpet or flat surface.

1. Attach Glider (F) to left side panel using screw (E).
2. Attach Glider (G) to right side panel using screw (E).



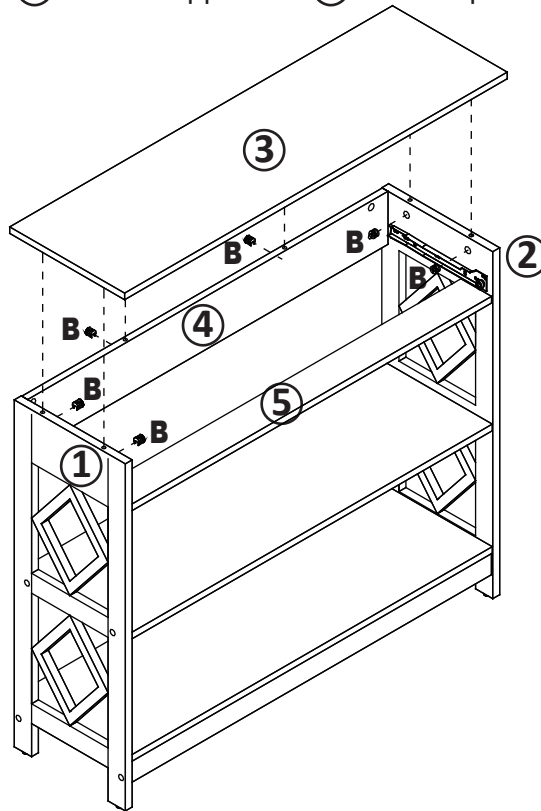
Step 3

1. Attach bottom support bar (8) to shelf (7) using Camlocks (B) by gently tightening camlocks.



Step 6

1. Attach top panel (3) to back support bar (4) and side panels (1) & (2) using camlocks (B).



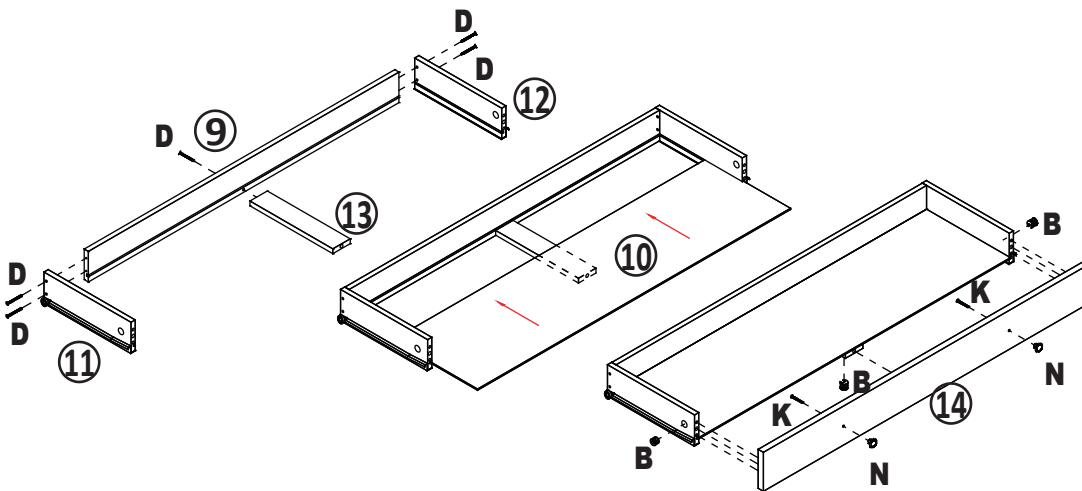
B



x6

Step 7

1. Attach drawer side panels (11) & (12) and drawer bottom support bar (13) to drawer back panel (9) using screws (D).
2. Insert drawer bottom panel (10) into grooves of drawer assembly.
3. Connect drawer front (14) to assembly by using comlocks (B)
4. Attach handles (N) to drawer front (14) by using screws (K).



B



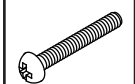
x3

D



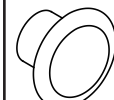
x5

K



x2

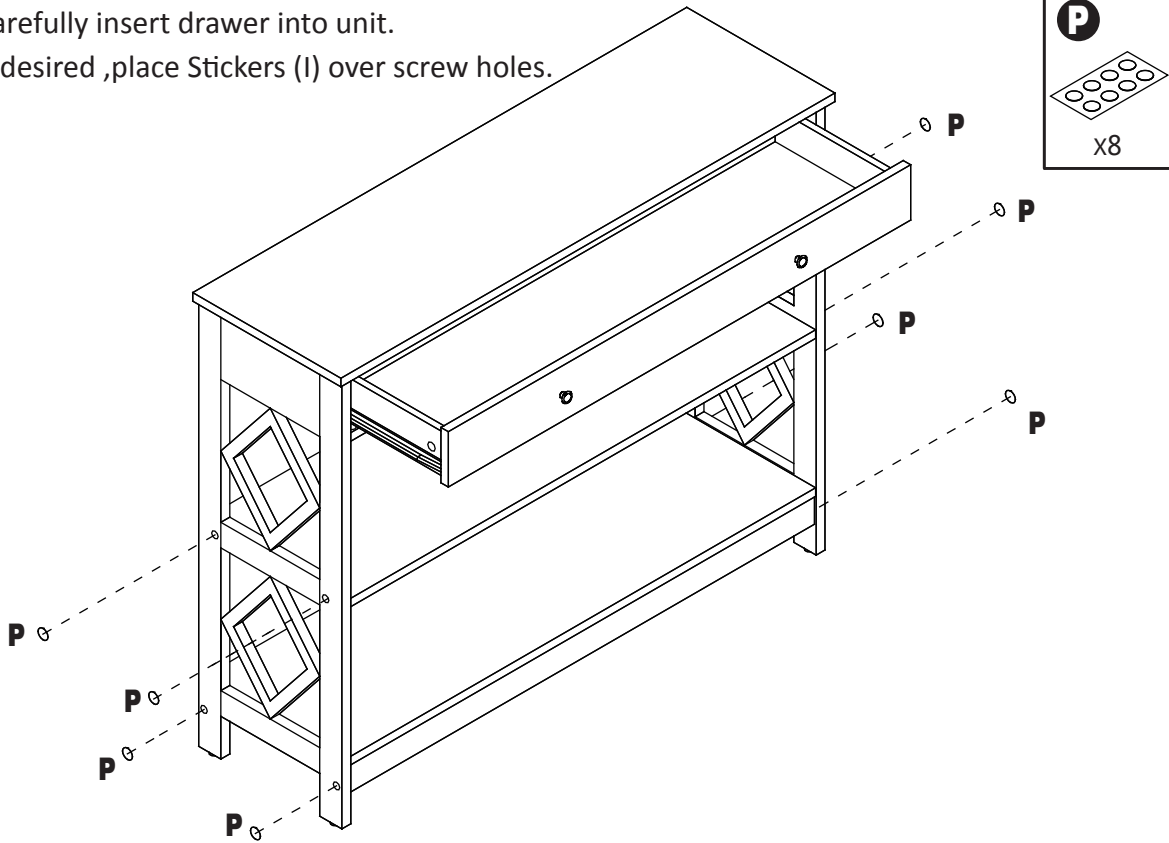
N



x2

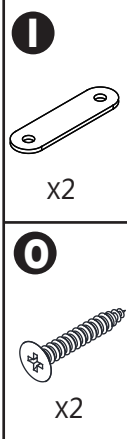
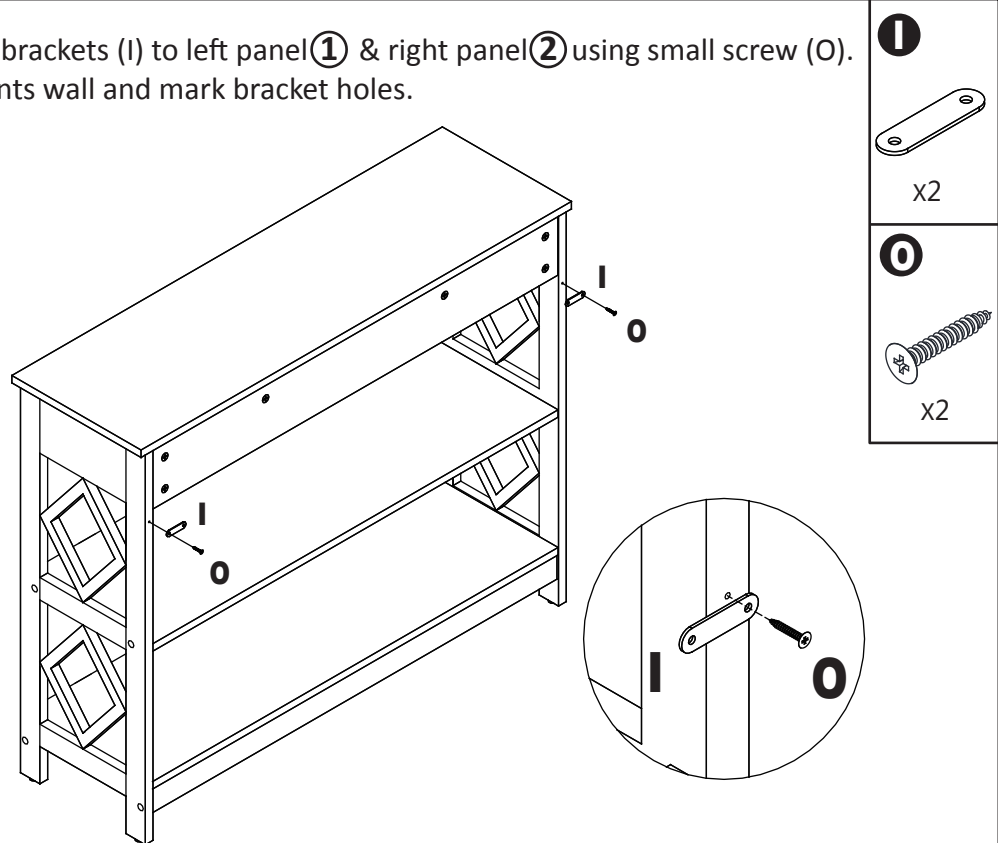
Step 8

1. Carefully insert drawer into unit.
2. If desired, place Stickers (P) over screw holes.



Step 9

1. Attach anti-tip brackets (I) to left panel (1) & right panel (2) using small screw (O).
2. Place unit against wall and mark bracket holes.



I

x2

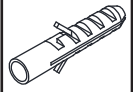
O

x2

Step 10

1. Drill holes in wall slightly smaller than anchor (H) and gently tap anchors into holes.
2. Fasten unit to wall using screw (D) through brackets (I).
3. Enjoy.

H



x2

D



x2

