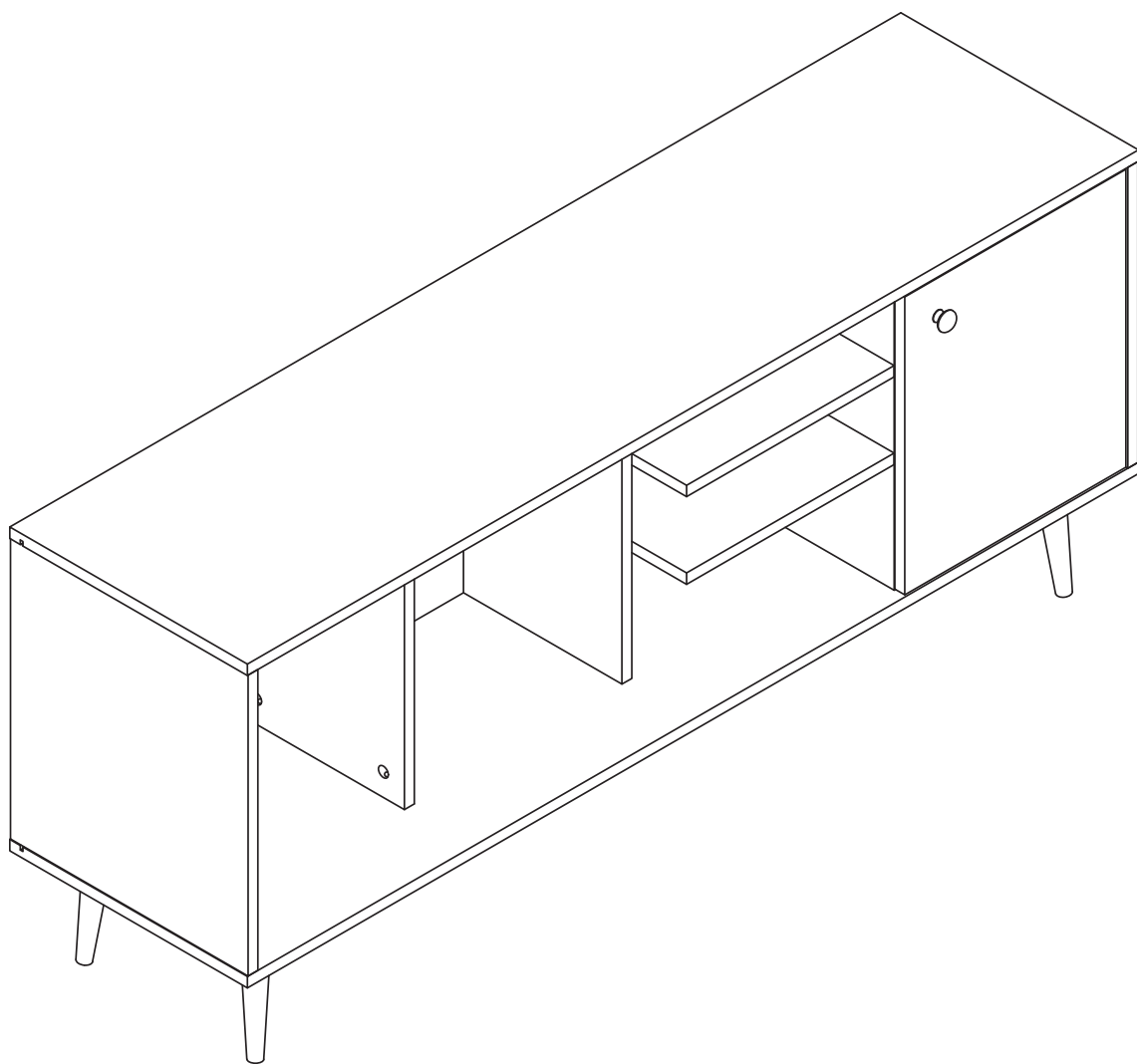
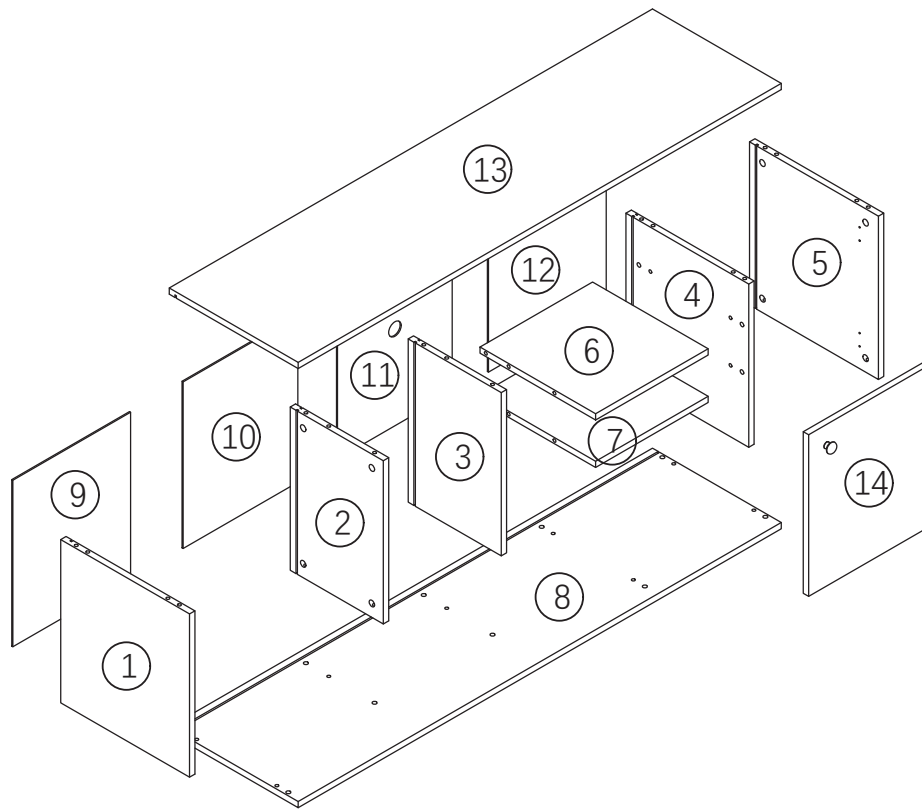












# Installation & Assembly





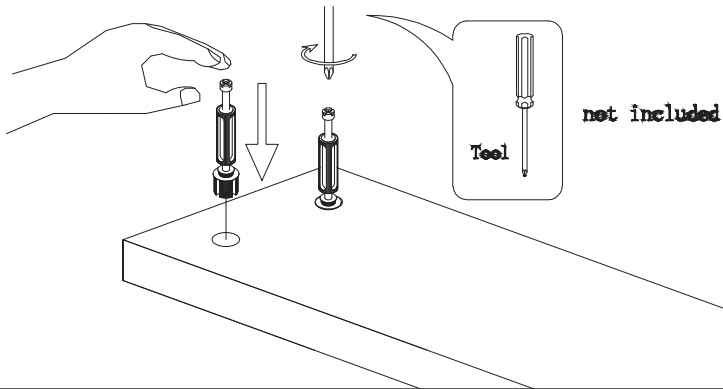
<p>A</p>  <p>A1 A2 28PCS</p>	<p>B</p> <p>8*40</p>  <p>22PCS</p>	<p>C</p>  <p>2PCS</p>	<p>D</p> <p>3.5*14</p>  <p>32PCS</p>	<p>E</p> <p>243</p>  <p>4PCS</p>	<p>F</p>  <p>4PCS</p>	<p>G</p>  <p>1PCS</p>	<p>H</p> <p>4*20</p>  <p>1PCS</p>	<p>I</p>  <p>16PCS</p>	<p>J</p> <p>3*12</p>  <p>16PCS</p>
--	---	--	---	---	--	--	--	---	---



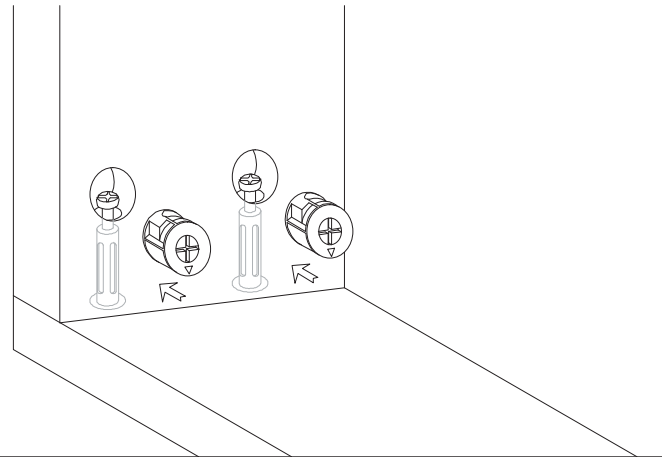
Hardware installation demonstration

NOTE: Please make sure "A" hardware tightened and can't be pulled out!

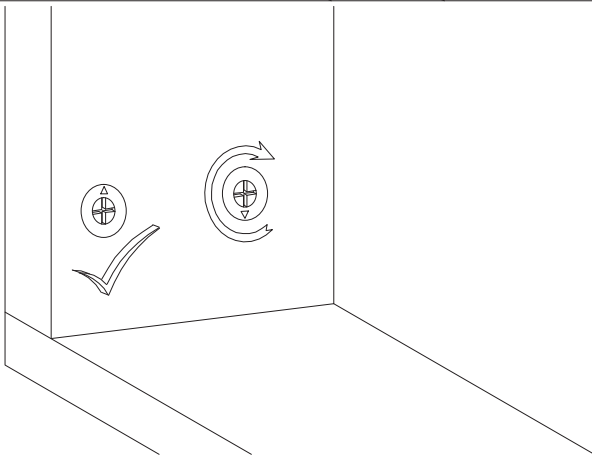
I

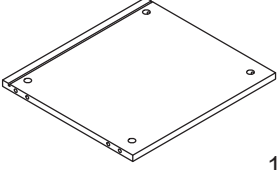
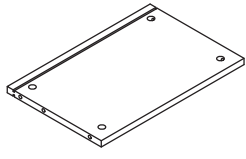
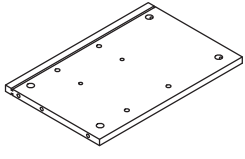
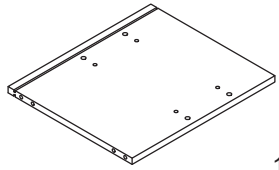
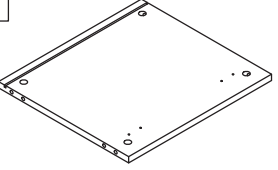
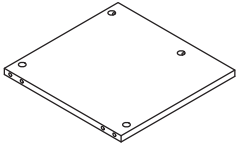
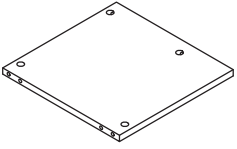
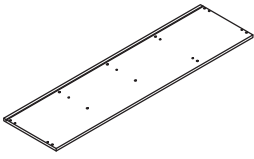
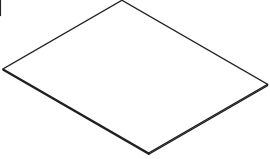
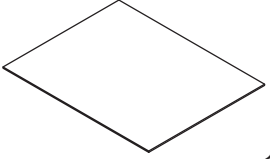
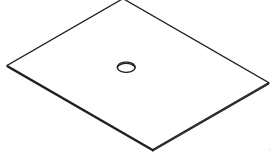
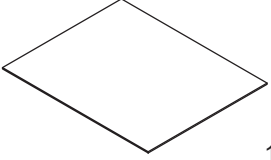
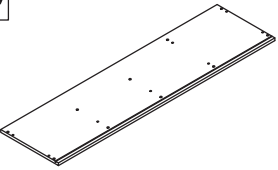
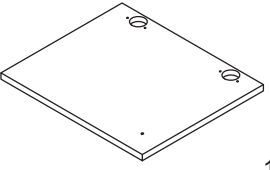


II

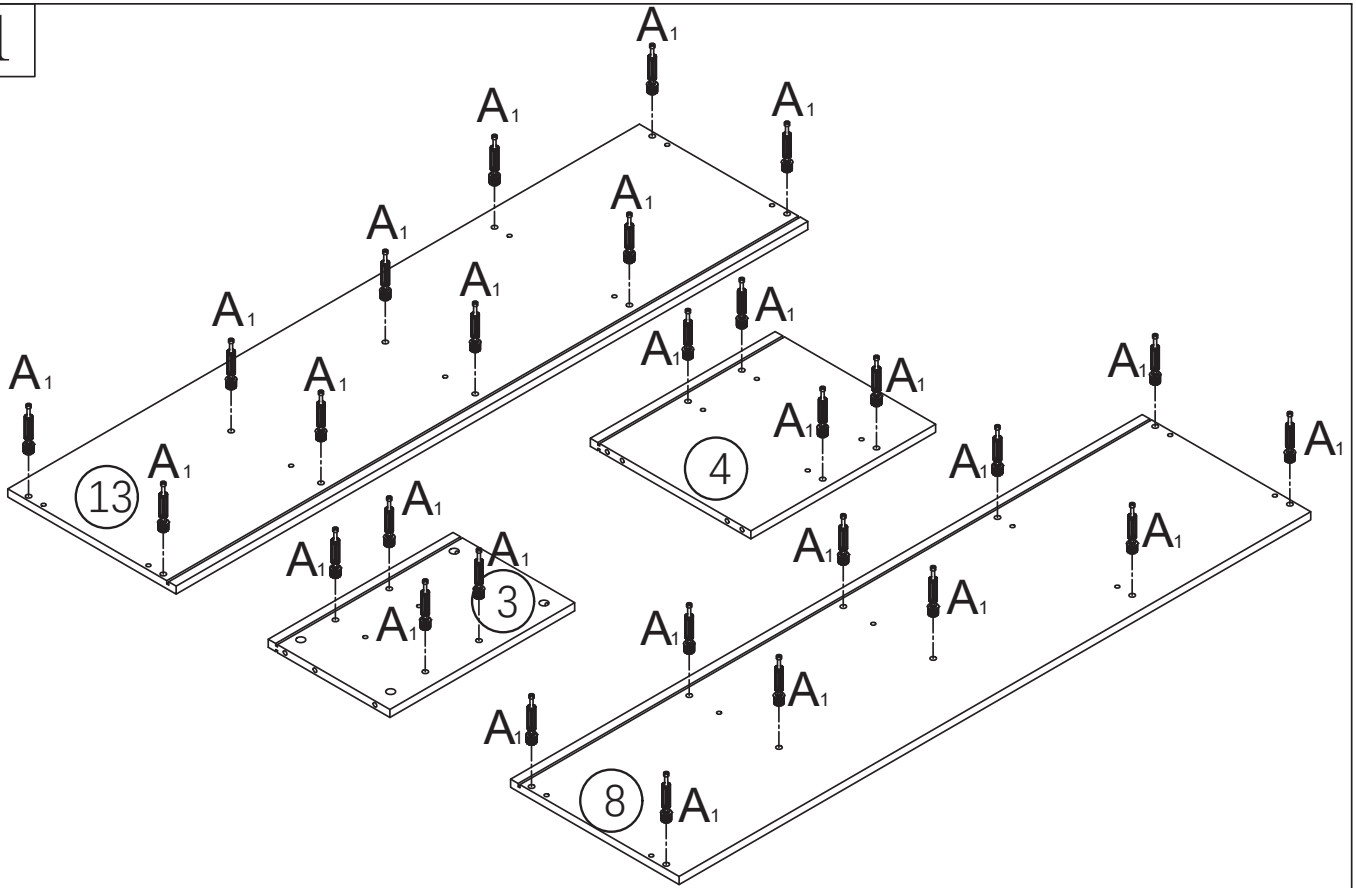


III



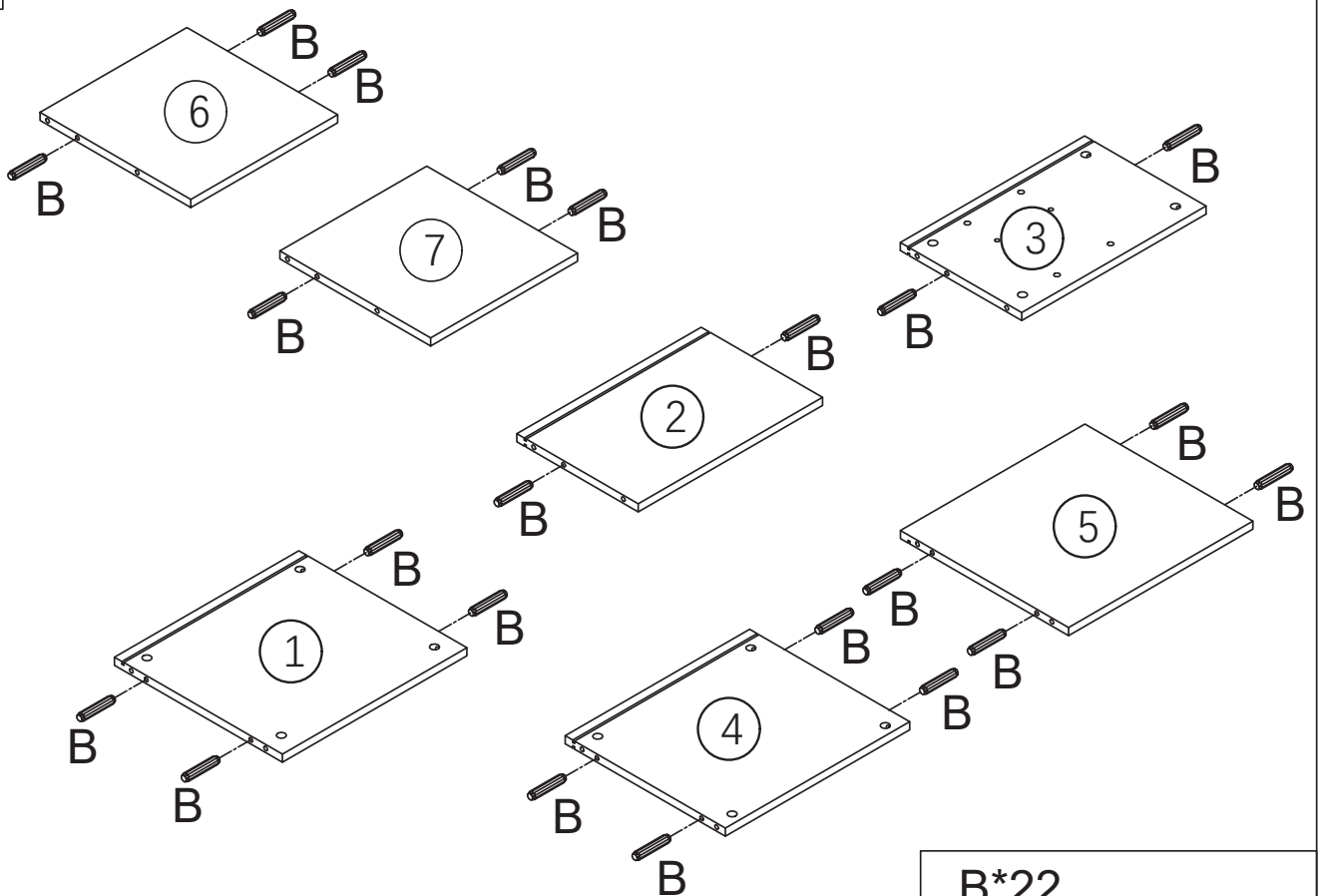
<p>1</p>  <p>395*360</p> <p>1pc</p>	<p>2</p>  <p>395*260</p> <p>1pc</p>	<p>3</p>  <p>395*260</p> <p>1pc</p>	<p>4</p>  <p>395*343</p> <p>1pc</p>
<p>5</p>  <p>395*360</p> <p>1pc</p>	<p>6</p>  <p>315*323</p> <p>1pc</p>	<p>7</p>  <p>315*323</p> <p>1pc</p>	<p>8</p>  <p>1350*360</p> <p>1pc</p>
<p>9</p>  <p>405*331</p> <p>1pc</p>	<p>10</p>  <p>405*322.5</p> <p>1pc</p>	<p>11</p>  <p>405*322.5</p> <p>1pc</p>	<p>12</p>  <p>405*331</p> <p>1pc</p>
<p>13</p>  <p>1350*360</p> <p>1pc</p>	<p>14</p>  <p>391*331</p> <p>1pc</p>		

1



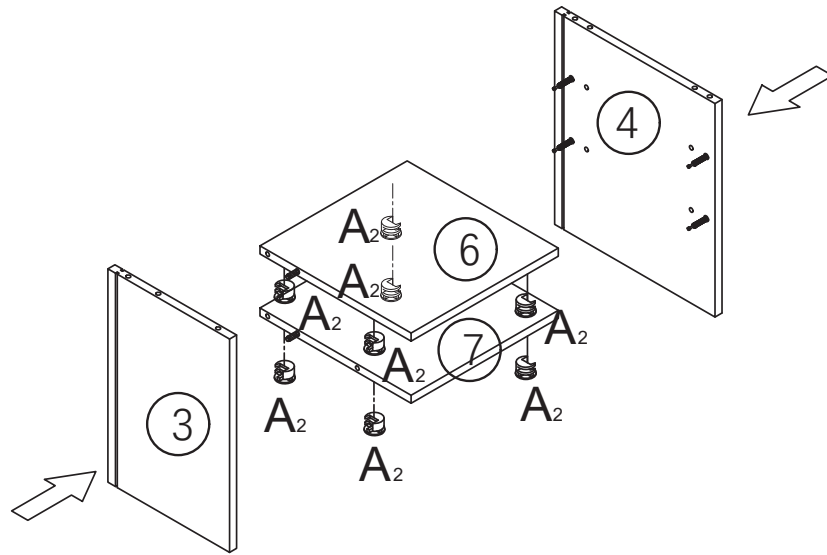
A1\*28

2



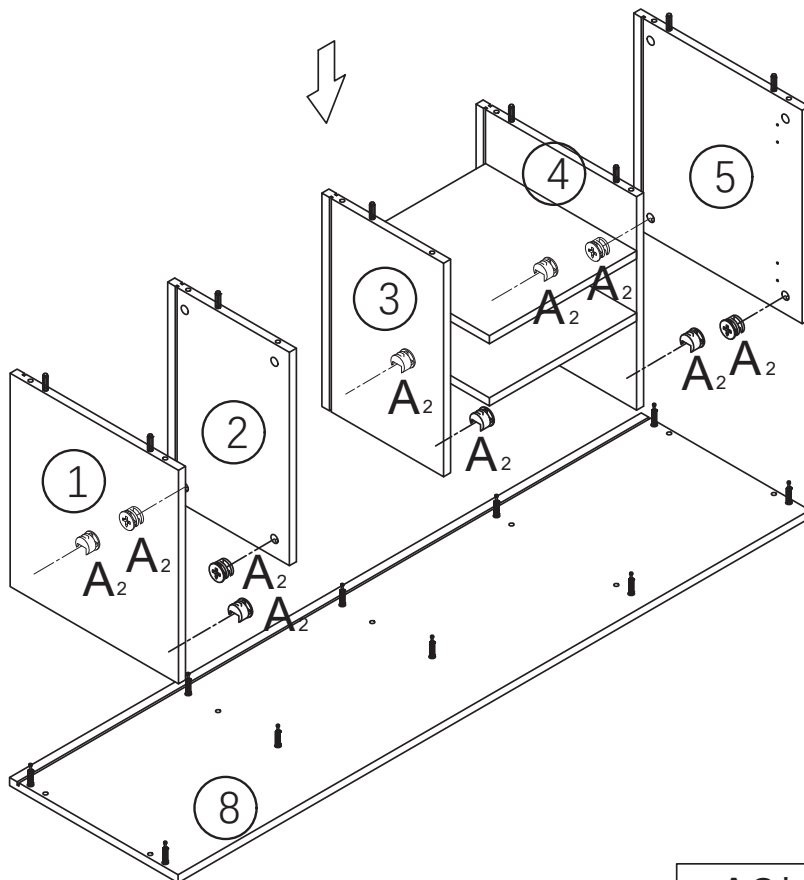
B\*22

3



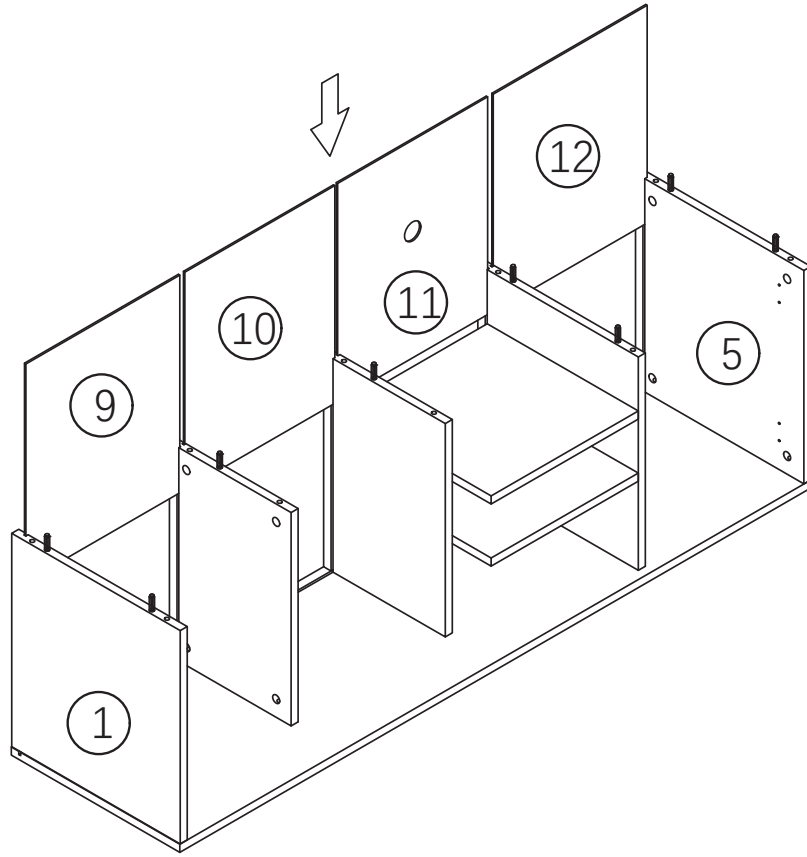
$A_2 \times 8$

4

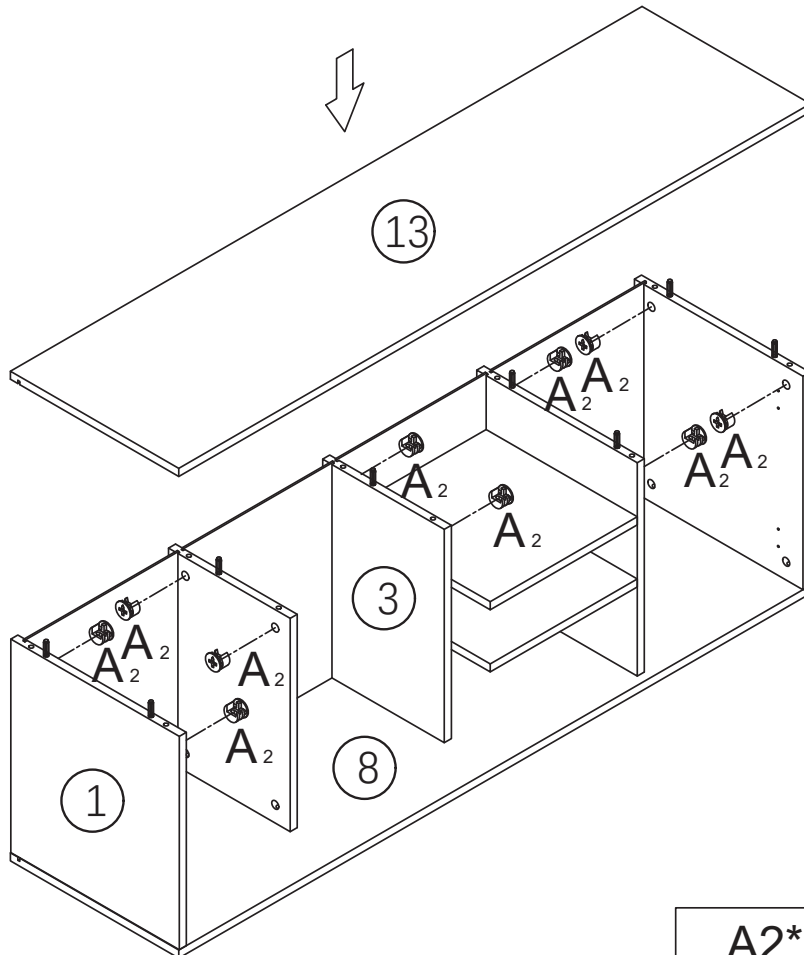


$A_2 \times 10$

5

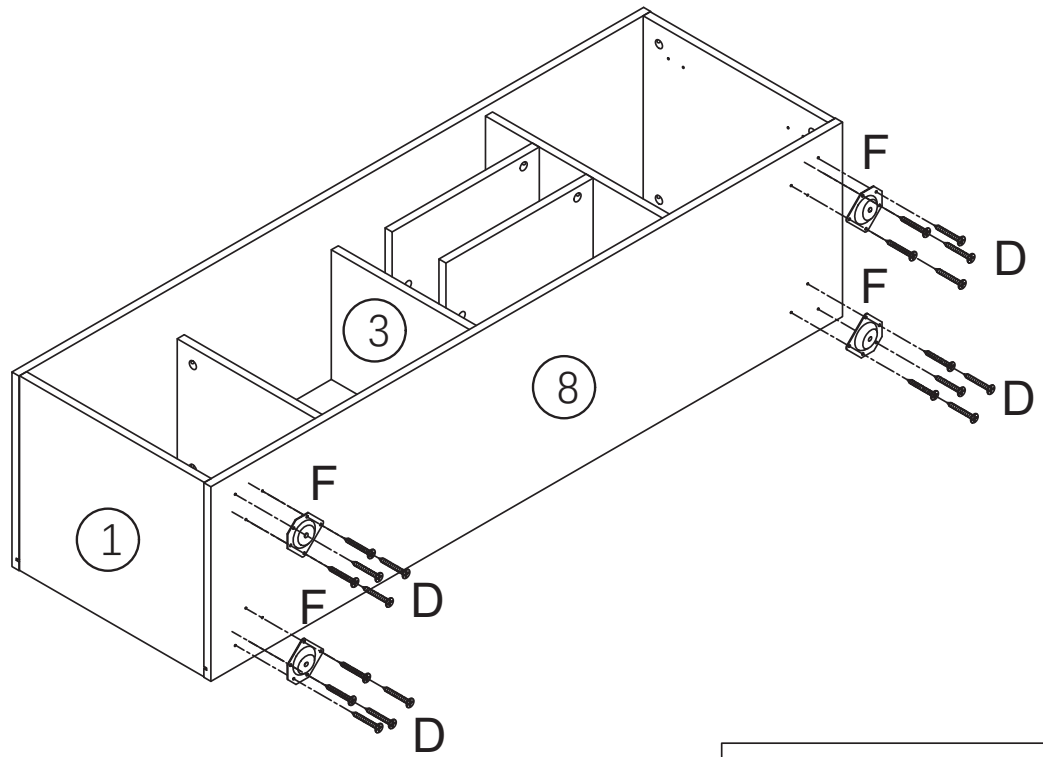


6



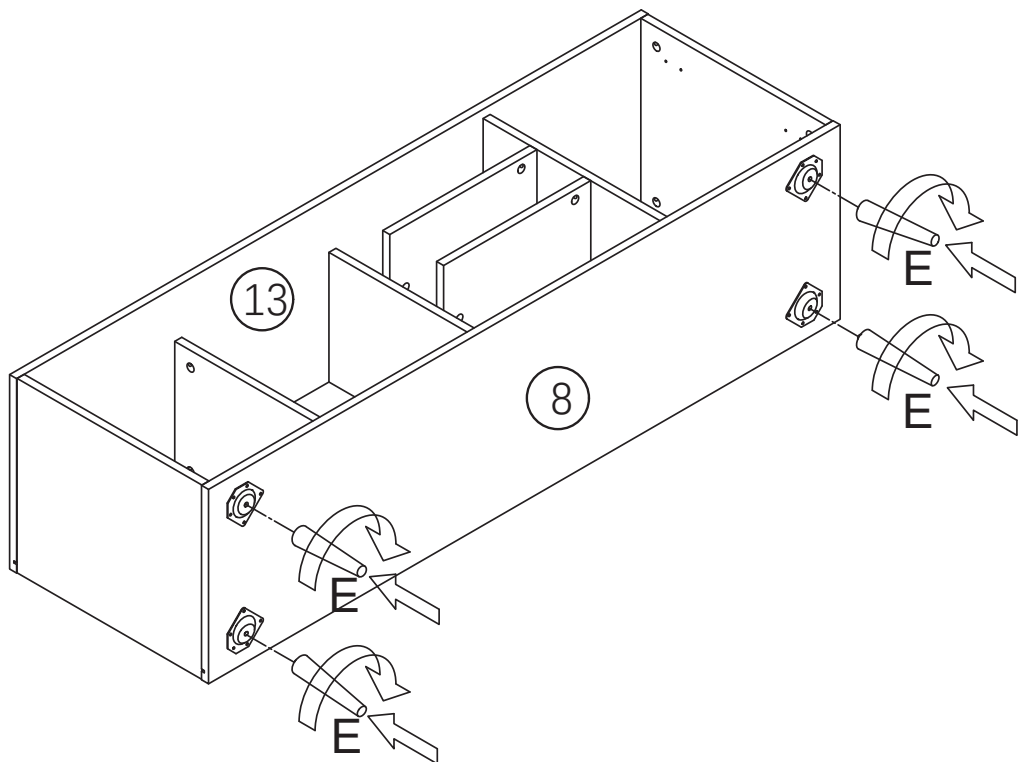
A2\*10

7



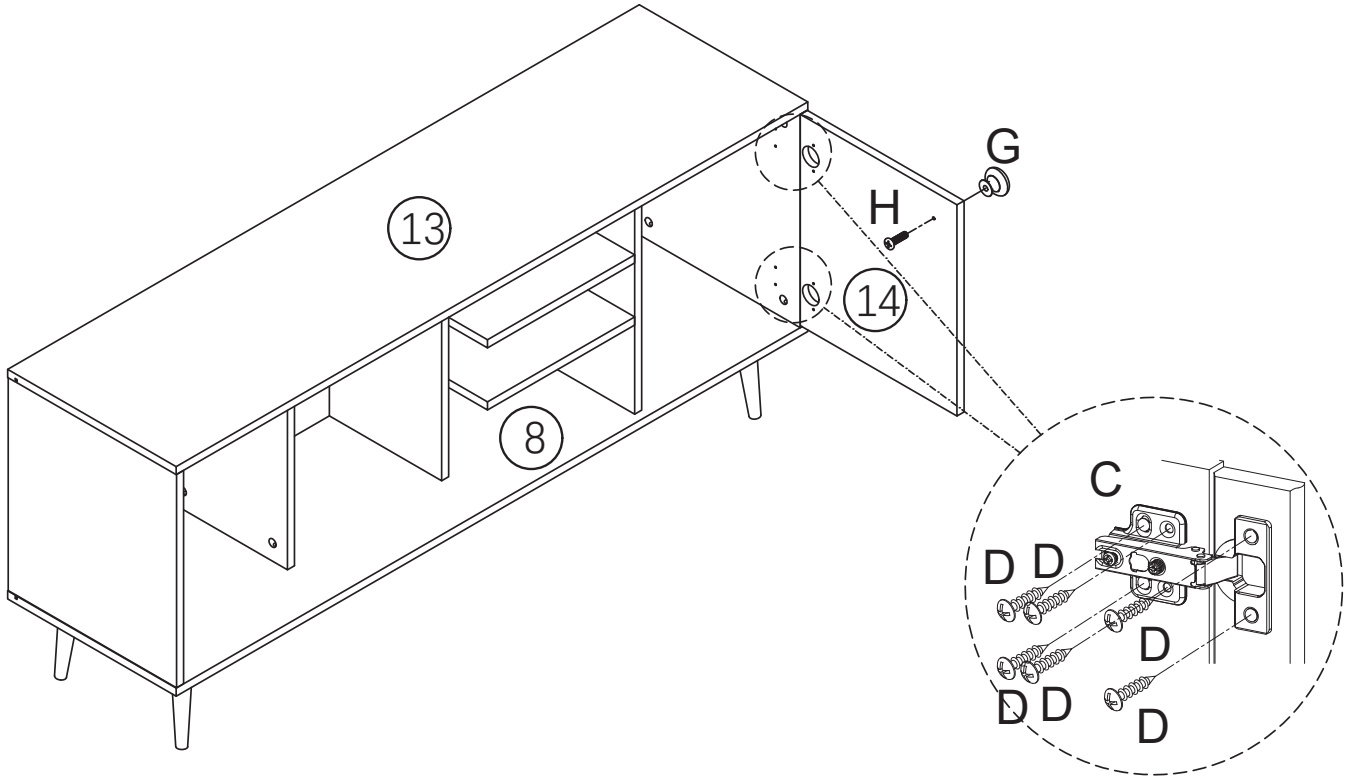
D\*20 F\*4

8



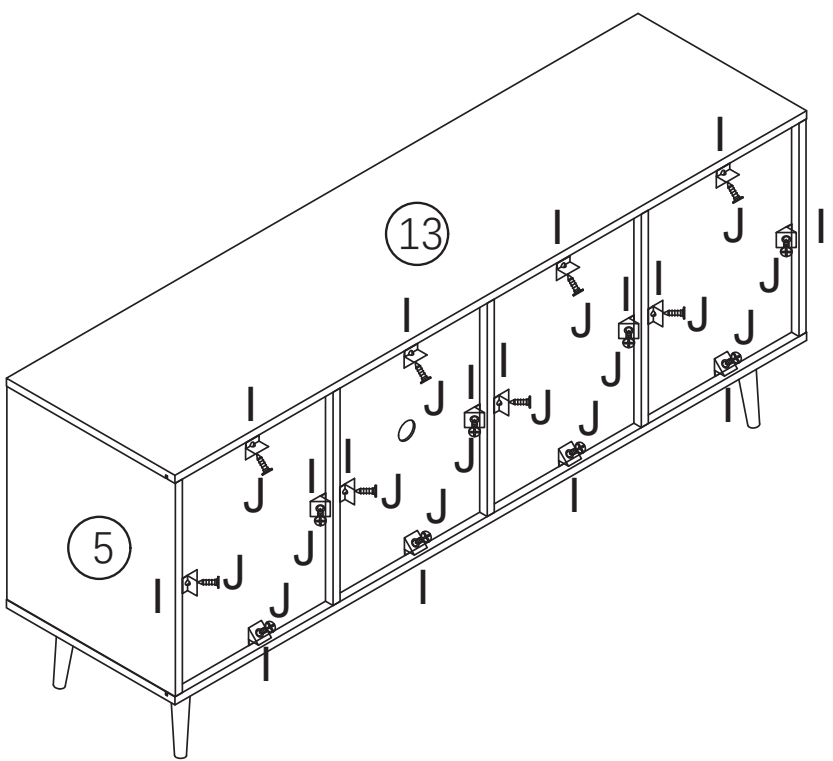
E\*4

9



C\*2 D\*12 G\*1 H\*1

10



I\*16 J\*16

