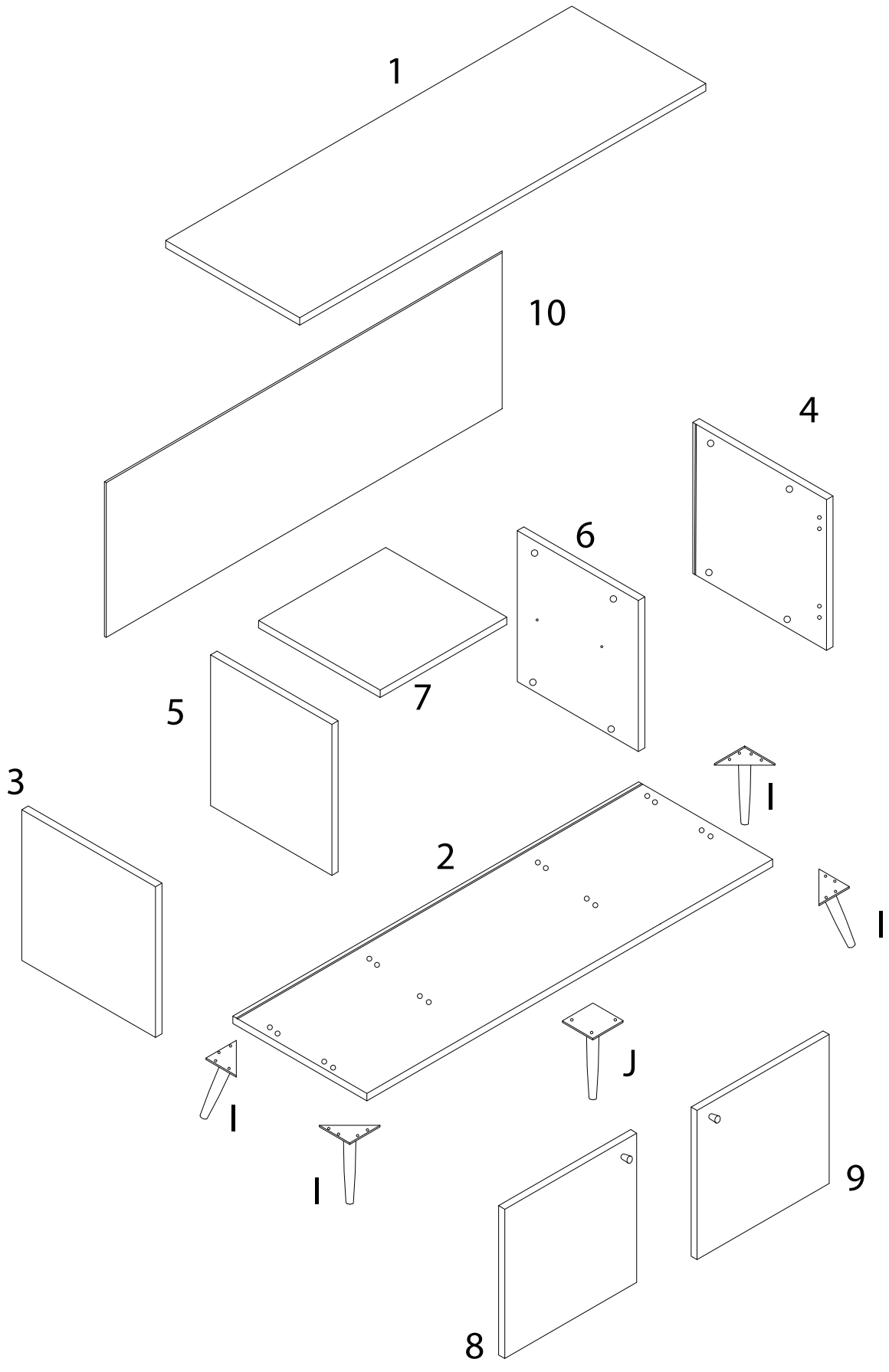
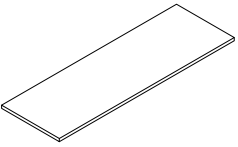
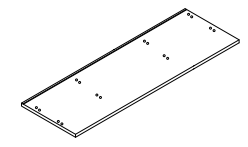
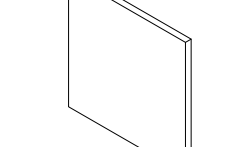
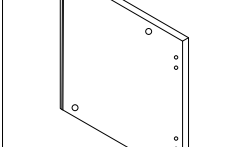
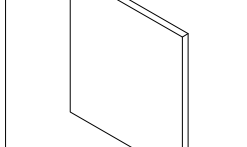
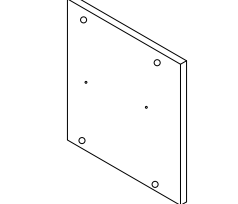
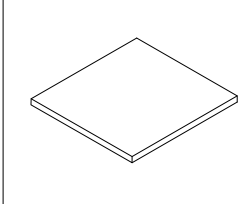
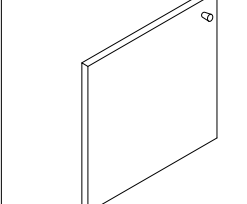
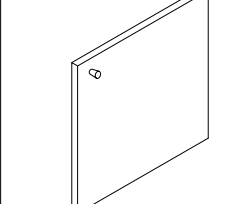
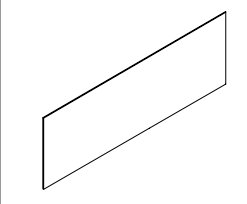
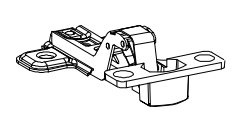
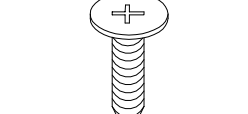
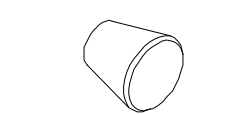
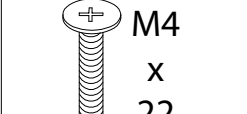
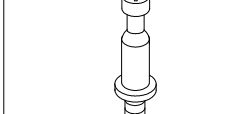
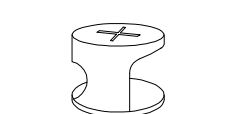
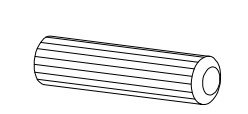
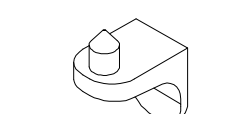
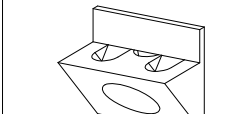
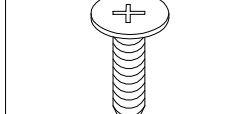
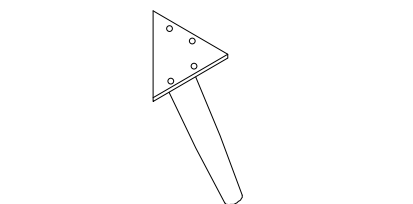
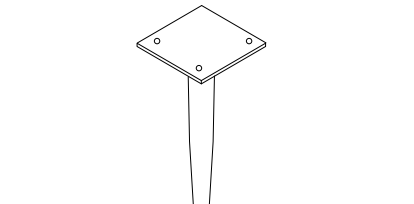
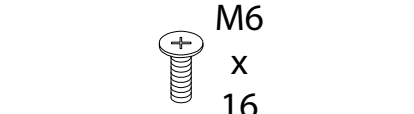


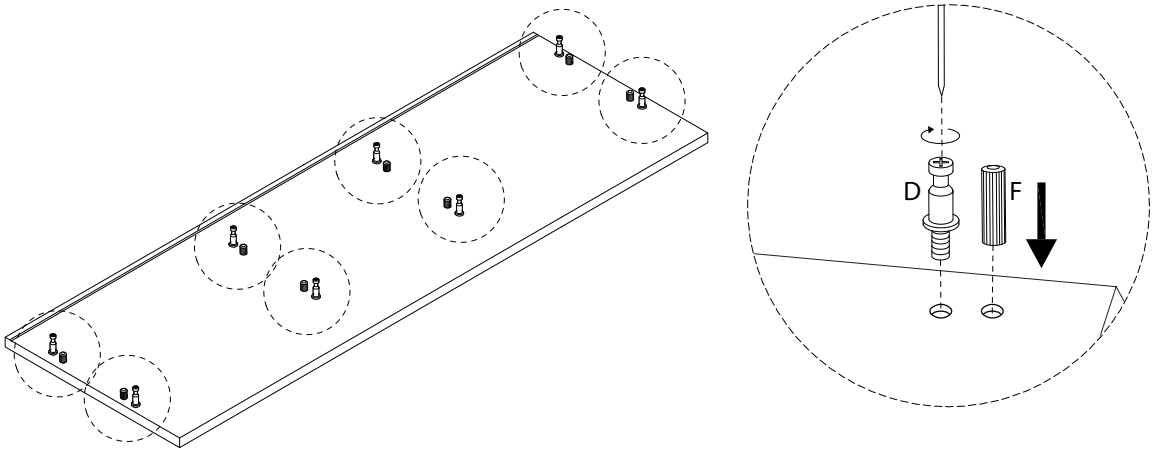
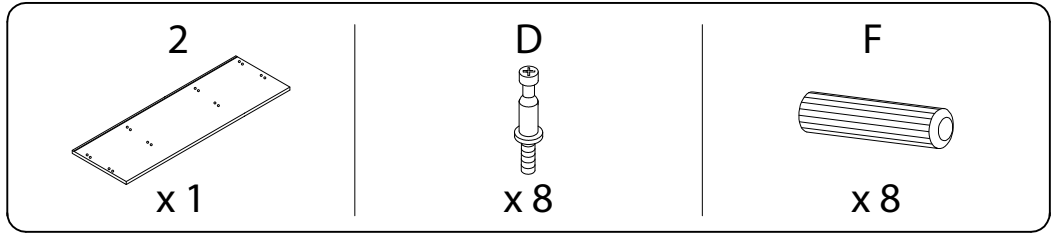
Assembly instructions for step 1/12:

- Use a screwdriver, not a power drill. (Icon: screwdriver in a circle, power drill with a slash through it)
- Warning: Sharp edges. (Icon: triangle with exclamation mark)
- Estimated time: 60 minutes. (Icon: clock)
- Requires 1 person. (Icon: person)

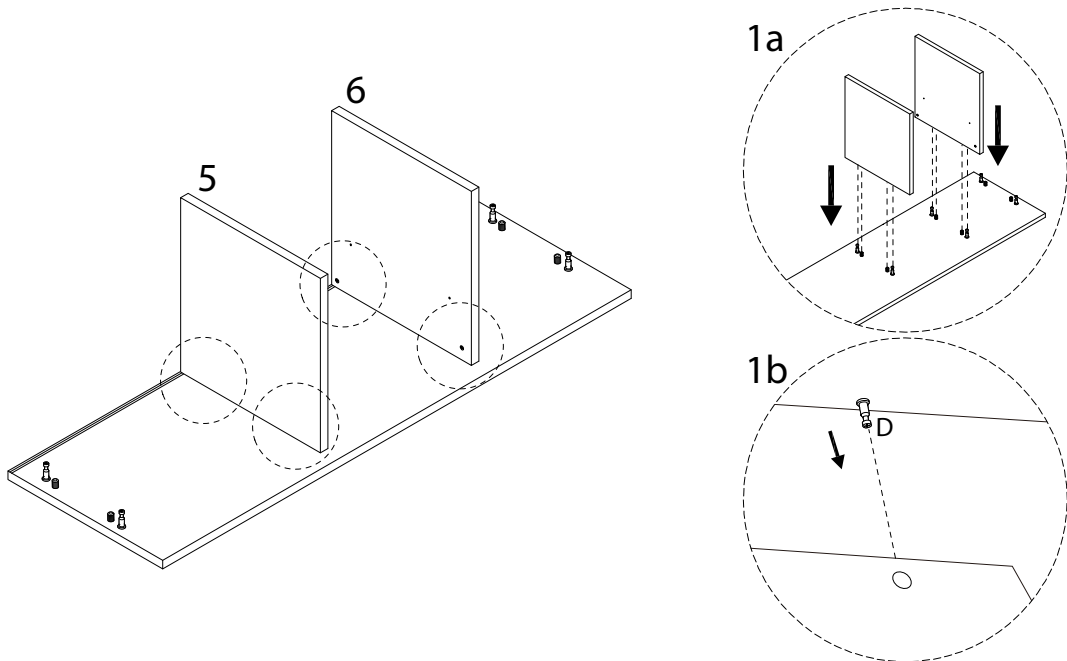
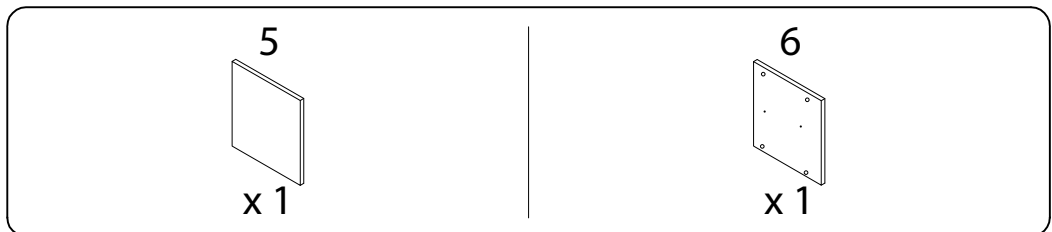


<p>1</p>  <p>x 1</p>	<p>2</p>  <p>x 1</p>	<p>3</p>  <p>x 1</p>	<p>4</p>  <p>x 1</p>	<p>5</p>  <p>x 1</p>
<p>6</p>  <p>x 1</p>	<p>7</p>  <p>x 1</p>	<p>8</p>  <p>x 1</p>	<p>9</p>  <p>x 1</p>	<p>10</p>  <p>x 1</p>
<p>A1</p>  <p>x 4</p>	<p>A2</p>  <p>x 16</p>	<p>B</p>  <p>x 2</p>	<p>C</p>  <p>M4 x 22</p> <p>x 2</p>	<p>D</p>  <p>x 16</p>
<p>E</p>  <p>x 16</p>	<p>F</p>  <p>x 16</p>	<p>G</p>  <p>x 4</p>	<p>H1</p>  <p>x 6</p>	<p>H2</p>  <p>x 6</p>
<p>I</p>  <p>x 4</p>	<p>J</p>  <p>x 1</p>	<p>K</p>  <p>M6 x 16</p> <p>x 19</p>		

1



2

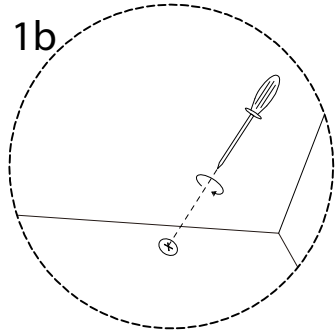
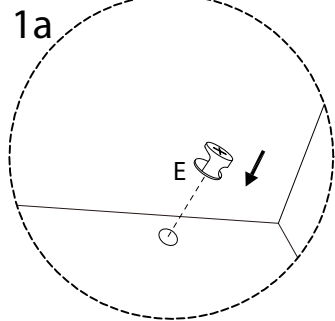
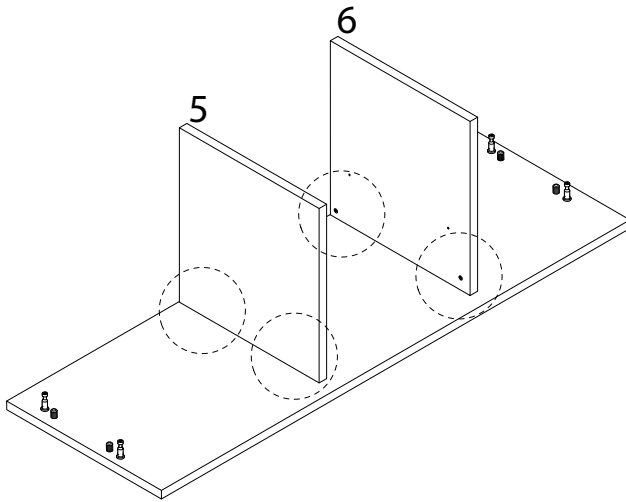


3

E

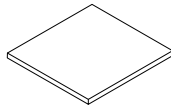


x 4



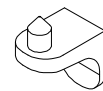
4

7

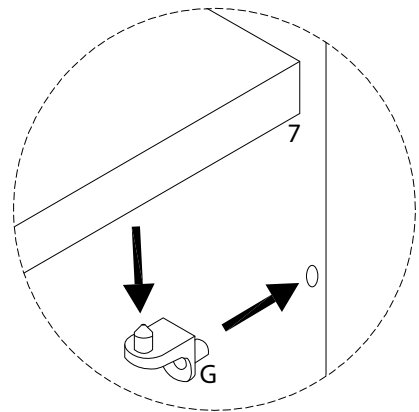
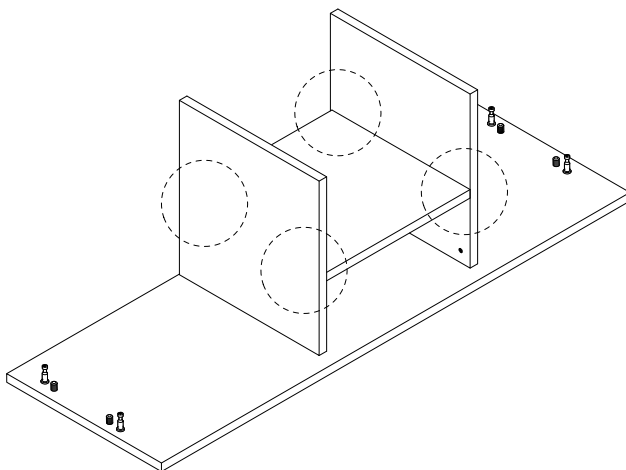


x 1

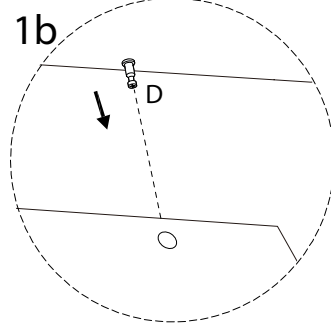
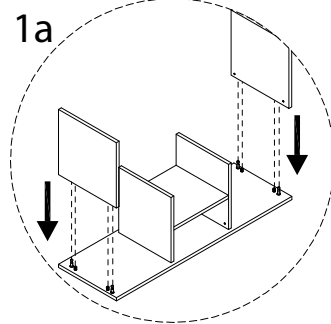
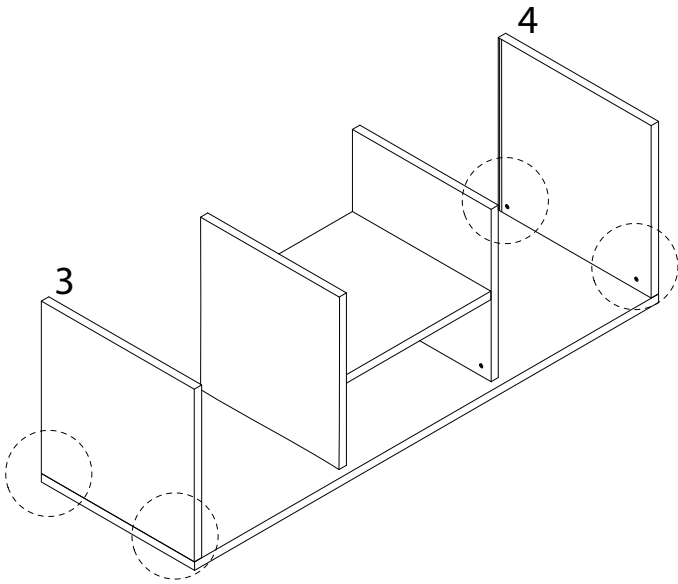
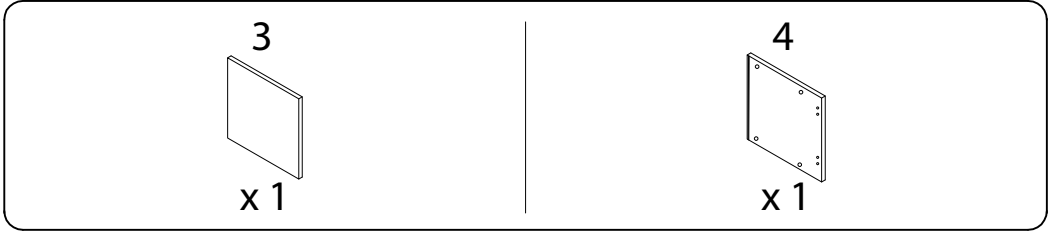
G



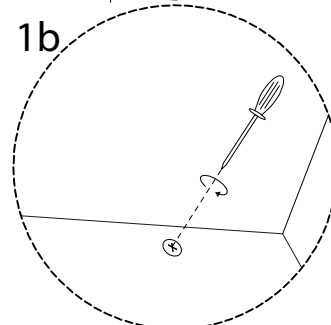
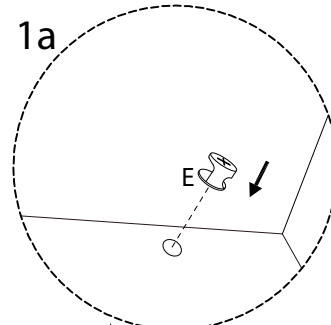
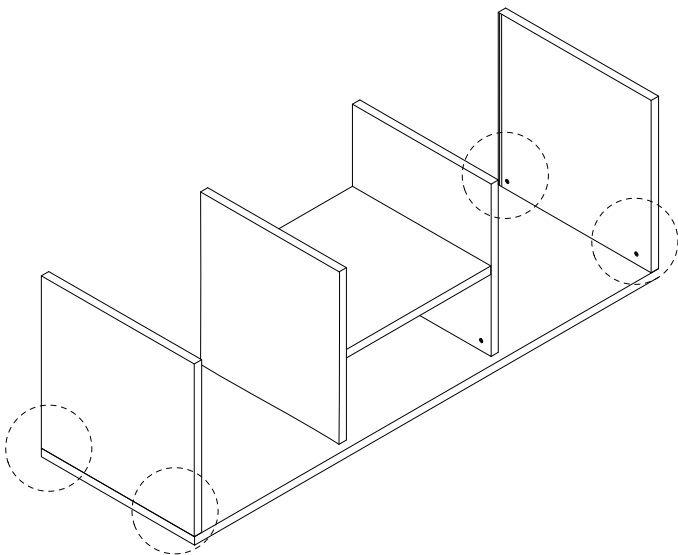
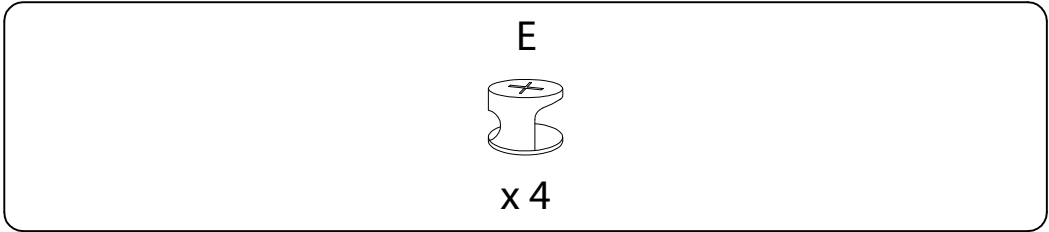
x 4



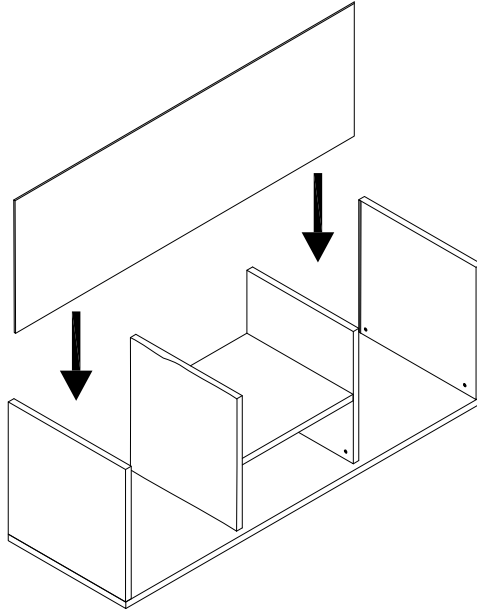
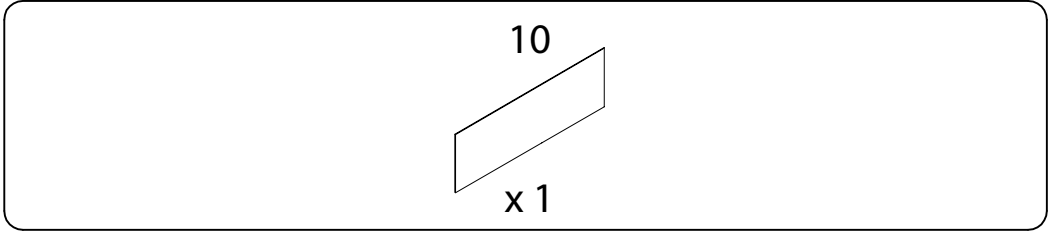
5



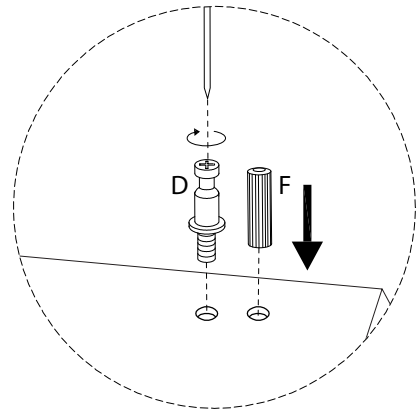
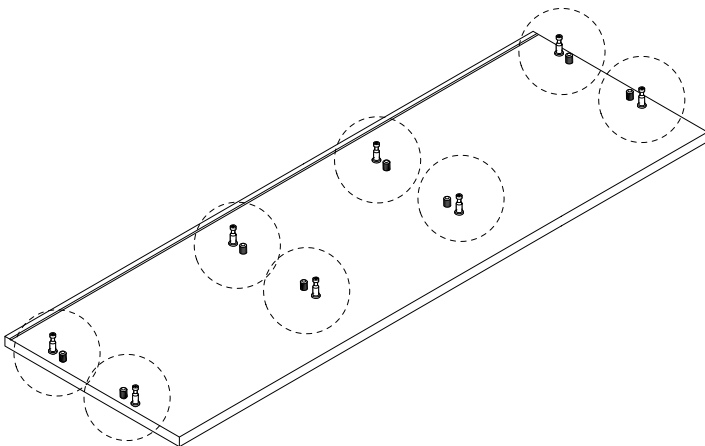
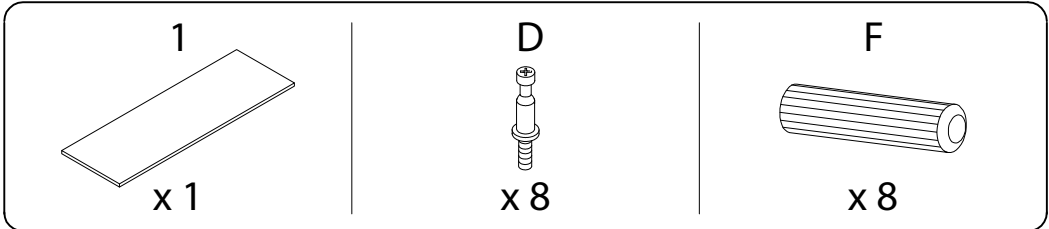
6



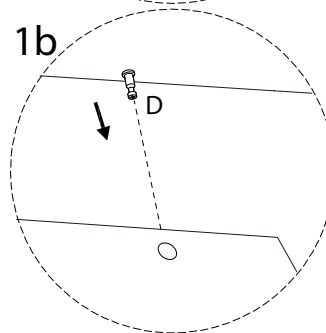
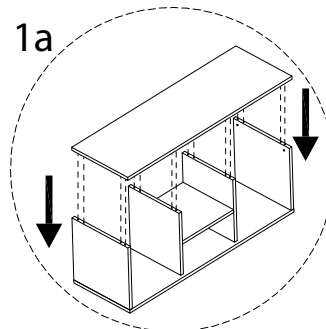
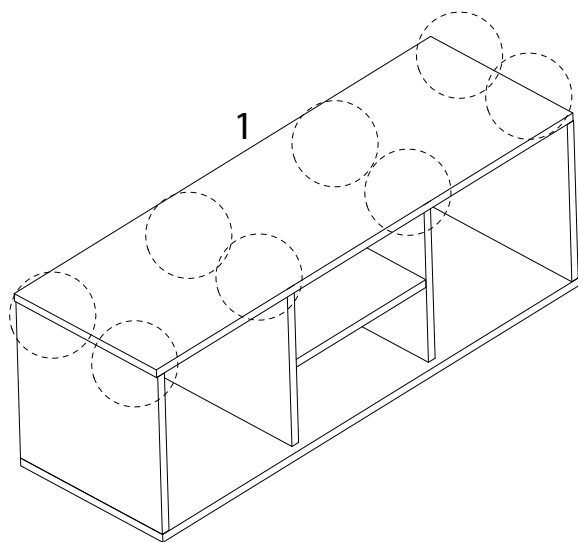
7



8



9

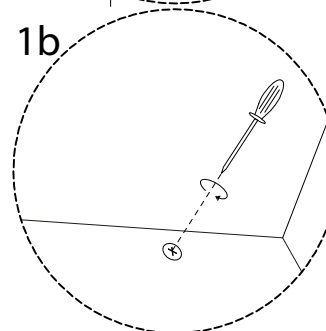
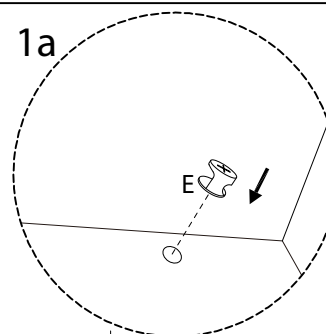
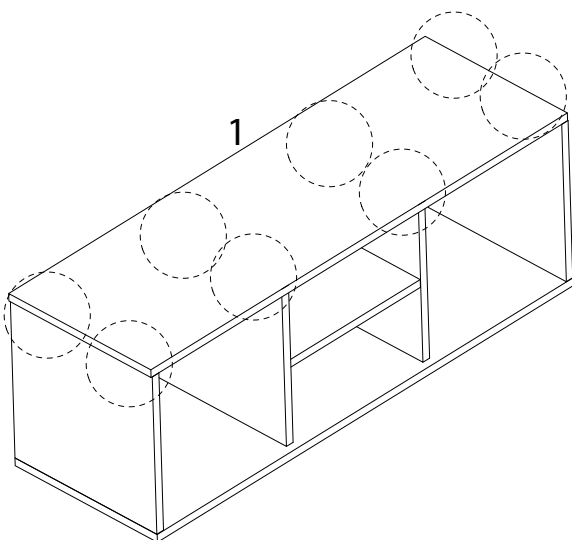


10

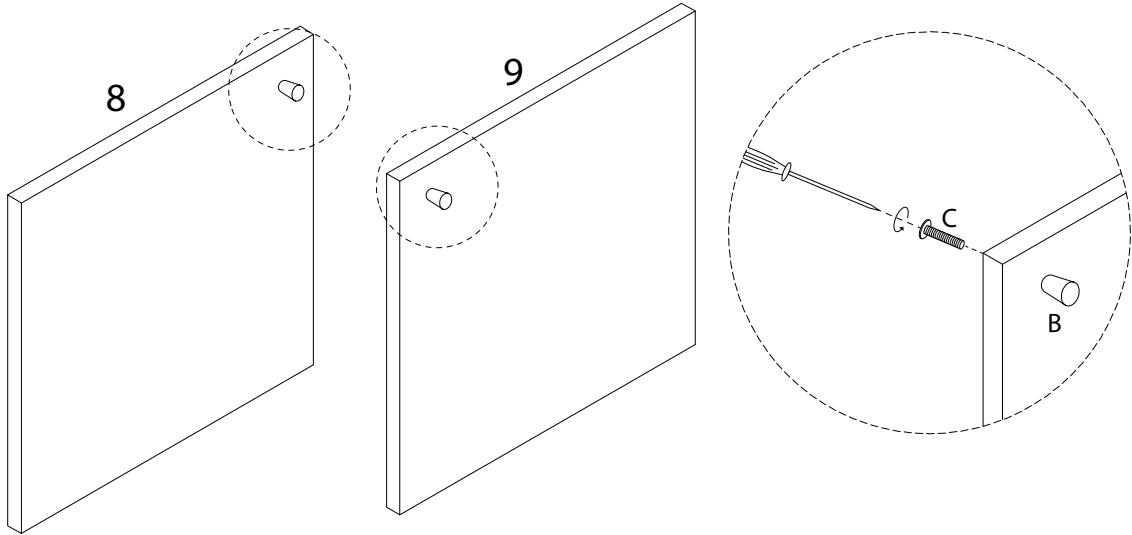
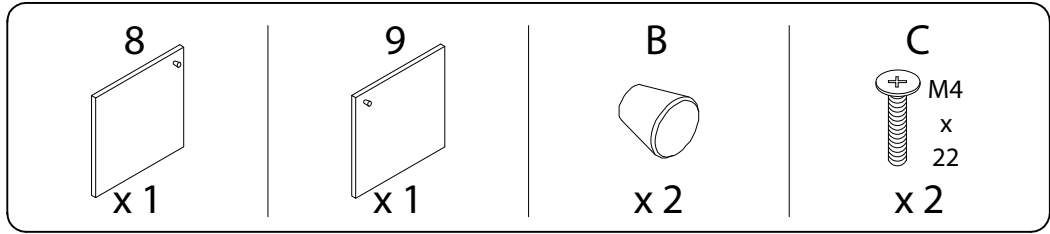
E



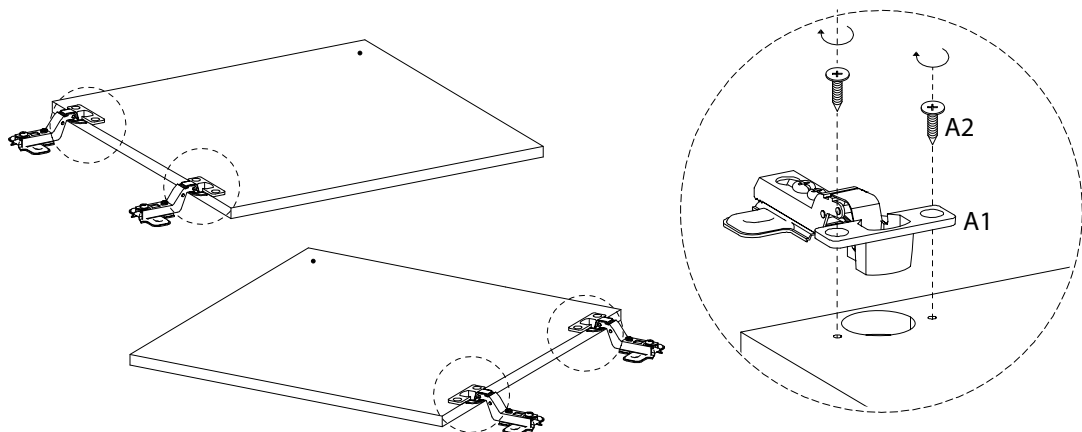
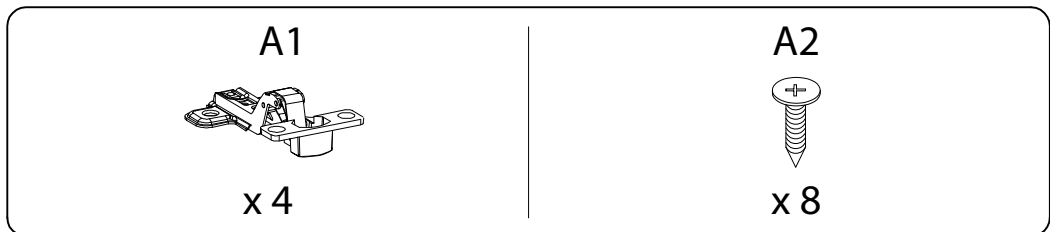
x 8



11

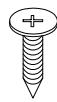


12

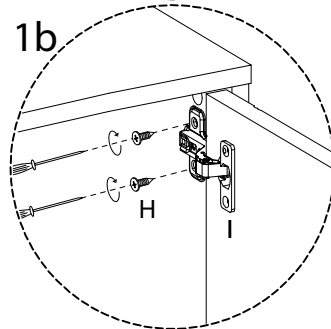
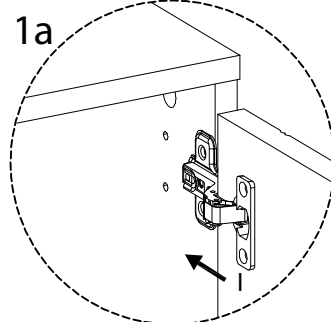
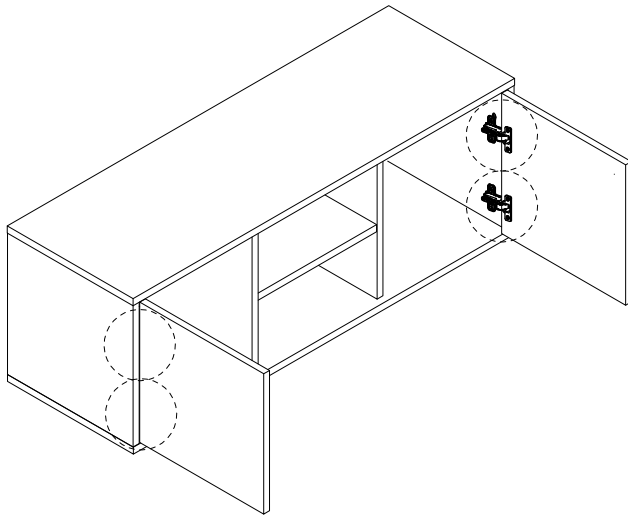


13

A2

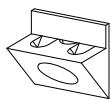


x 8



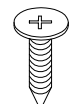
14

H1

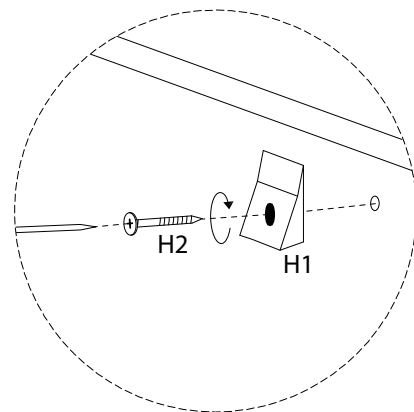
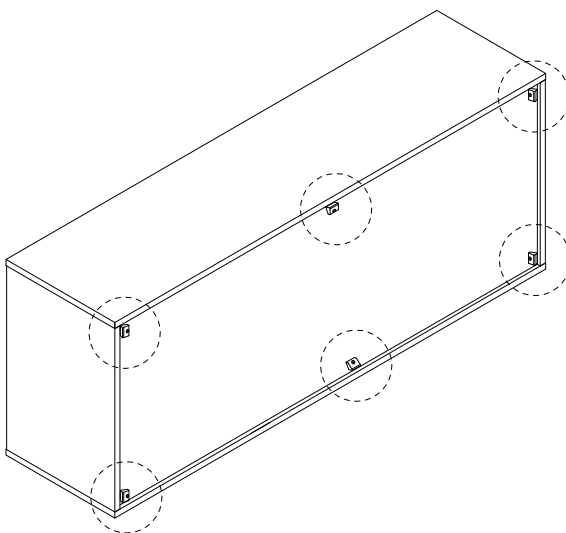


x 6

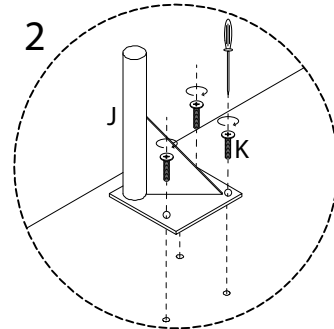
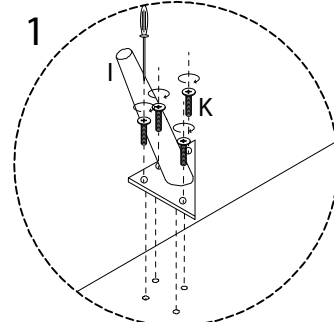
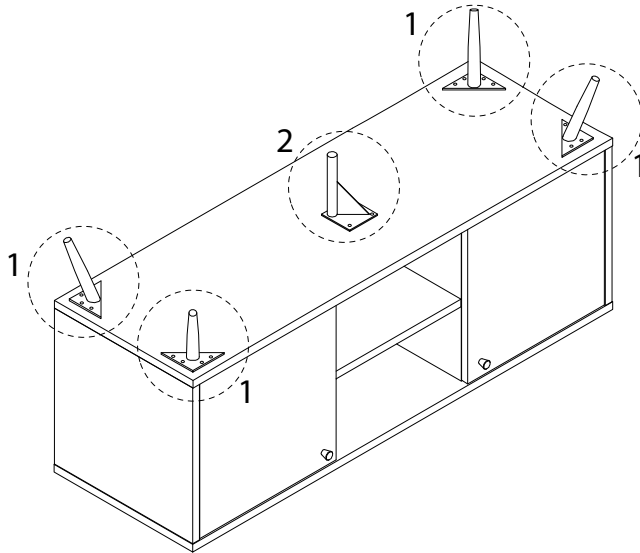
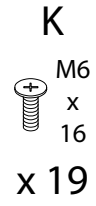
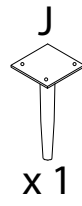
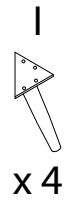
H2



x 6



15



!

