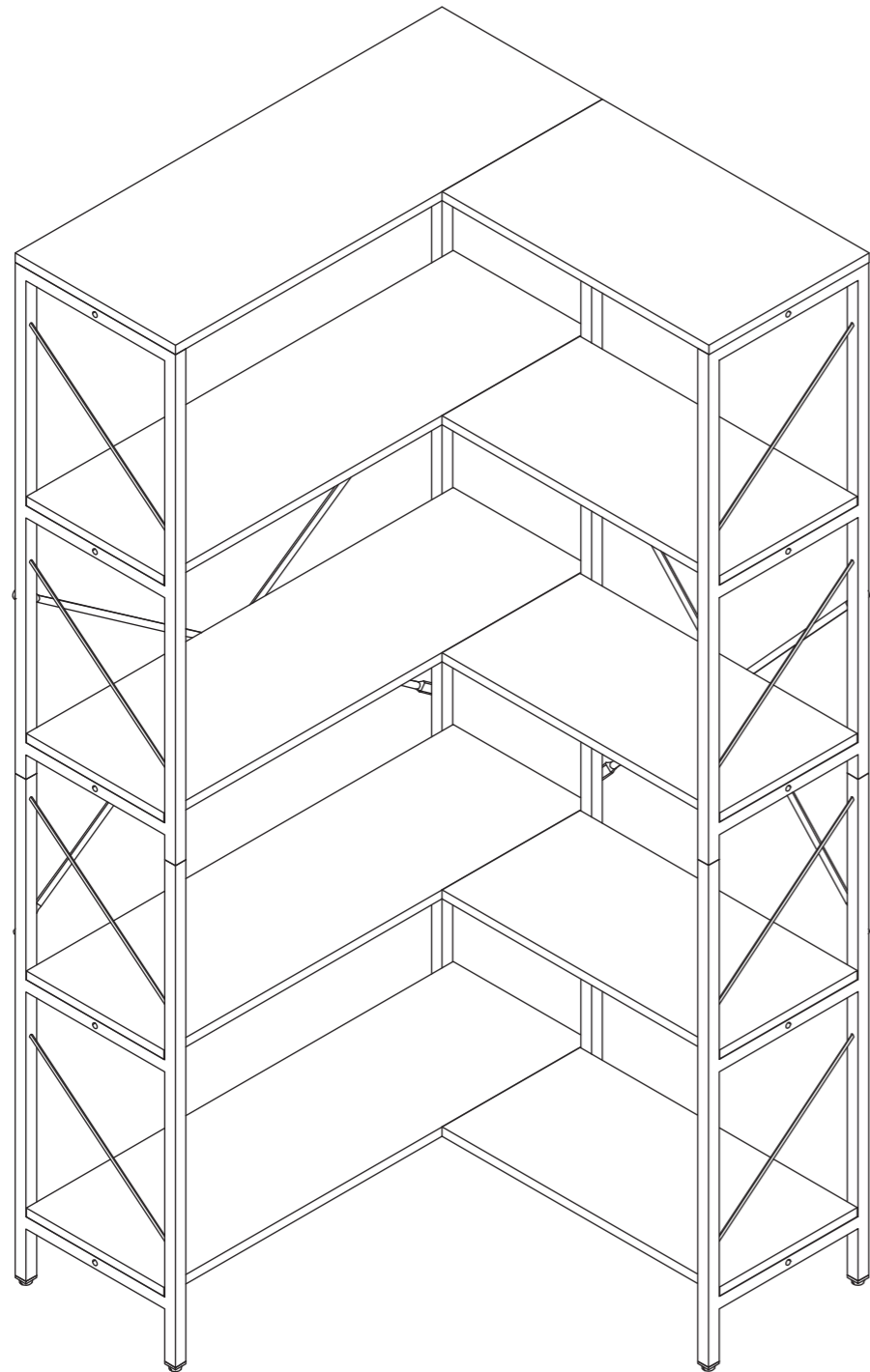

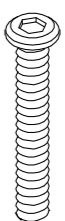
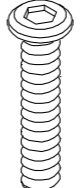
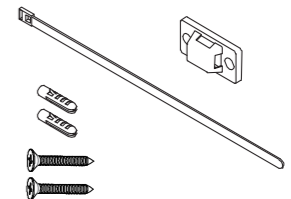
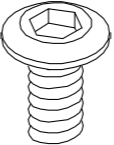
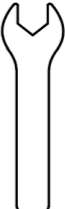
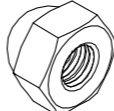
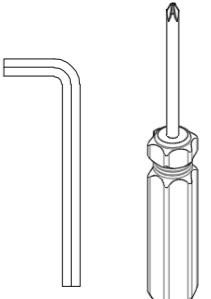
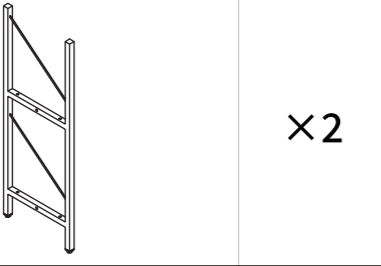
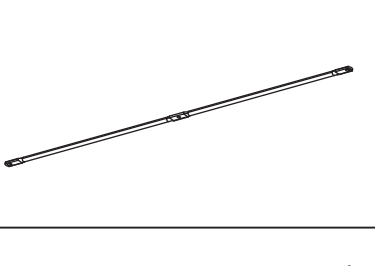
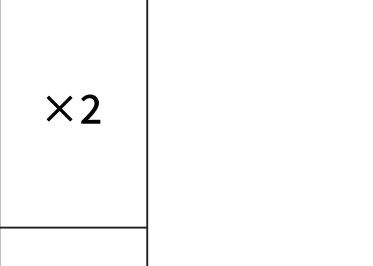


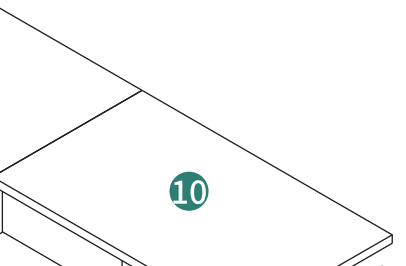
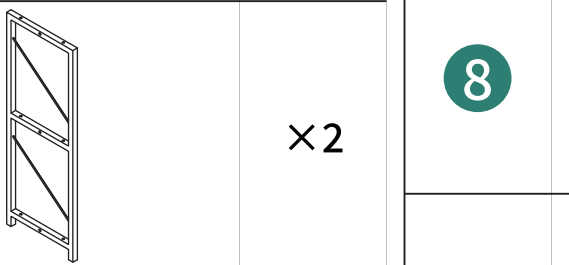
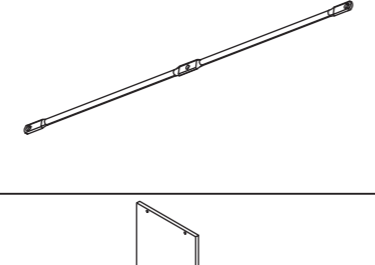
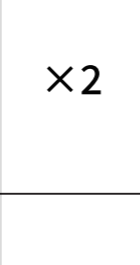


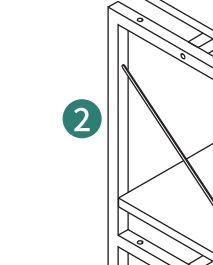


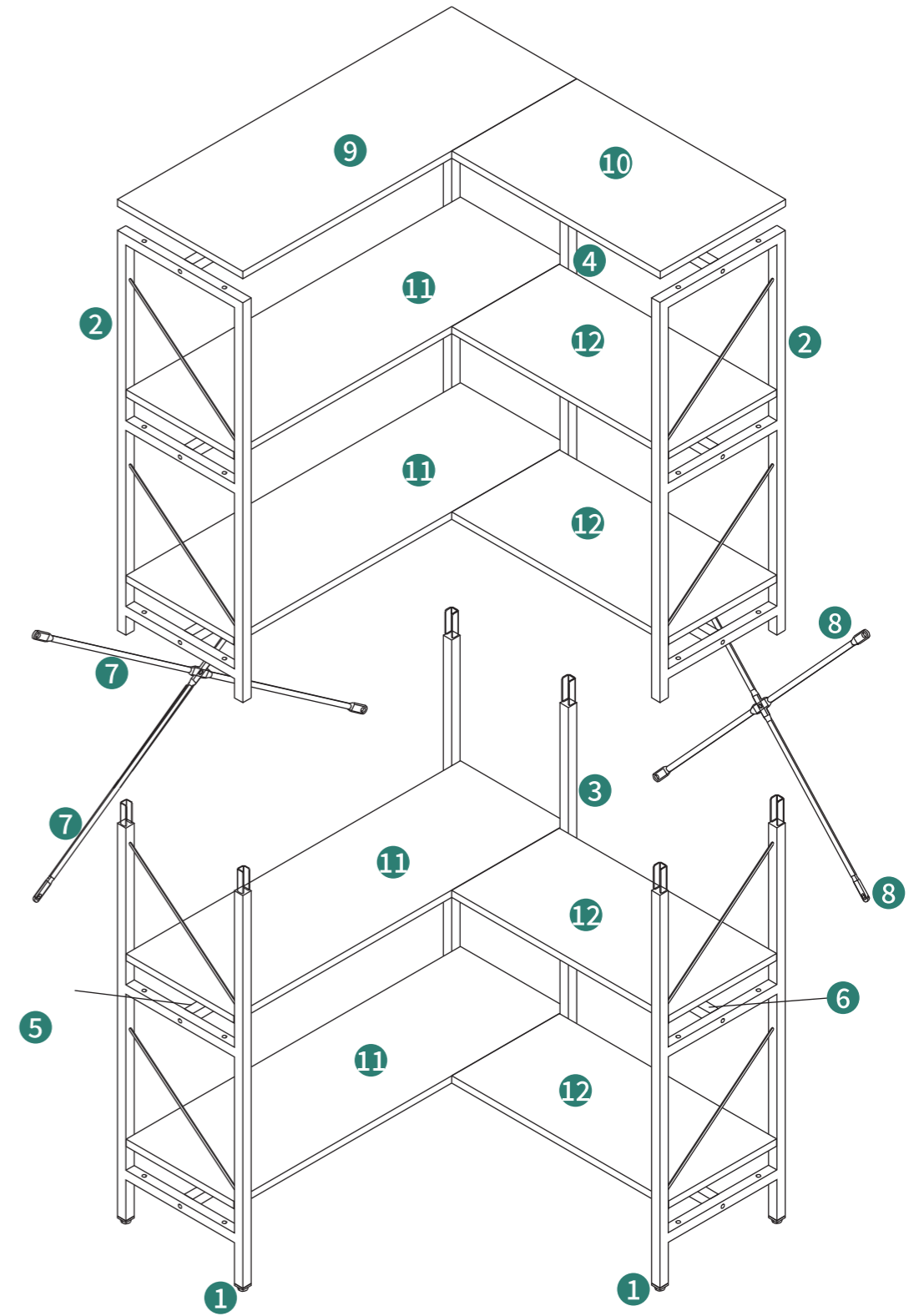
DGFD-V1



Item no.	Reference Image	Qty.	Item no.	Reference Image	Qty.
(A)	 Ø8×30	×10	(E)	 M6×40	×20
(B)	 M6×28	×40	(F)		×2
(C)	 M6×12	×16	(-)		-
(D)	 M6	×2	(-)		-

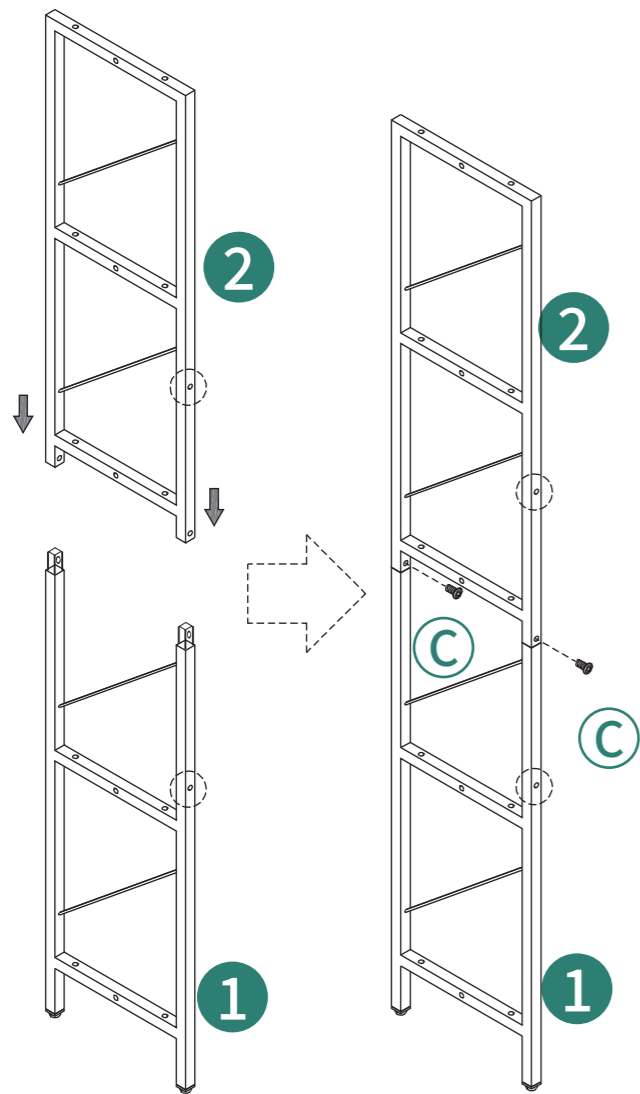
Item no.	Reference Image	Qty.
1		×2
2		×2
3		×1
4		×1
5		×5
6		×5

Item no.	Reference Image	Qty.
7		×2
8		×2
9		×1
10		×1
11		×4
12		×4



1

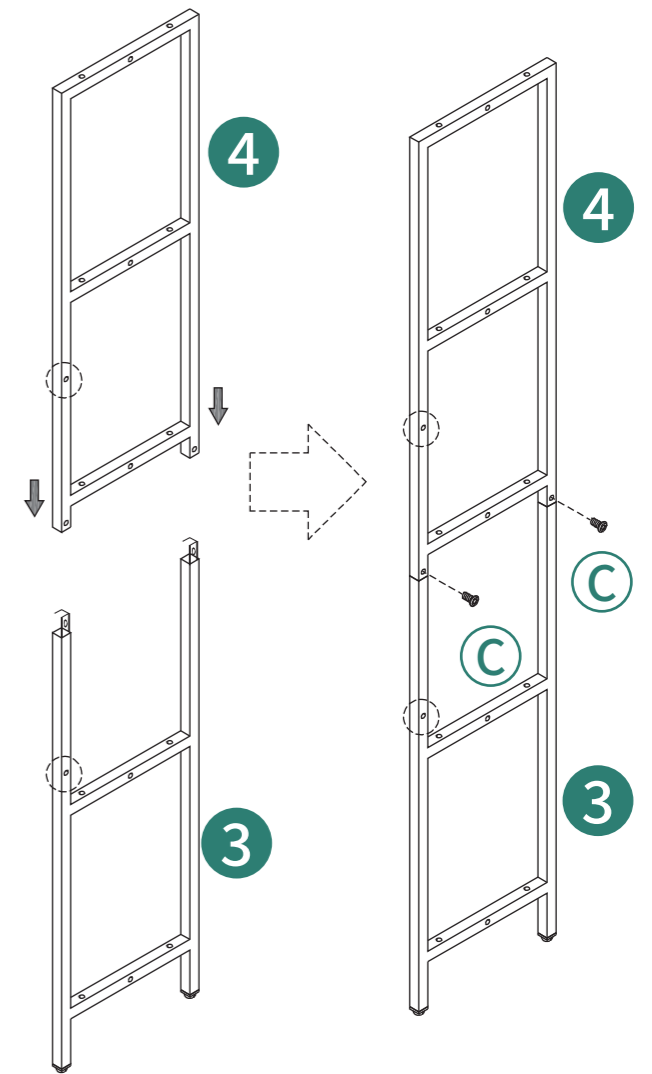
- ① 2PCS
- ② 2PCS
- Ⓒ 4PCS



×2

2

- ③ 1PCS
- ④ 1PCS
- Ⓒ 2PCS



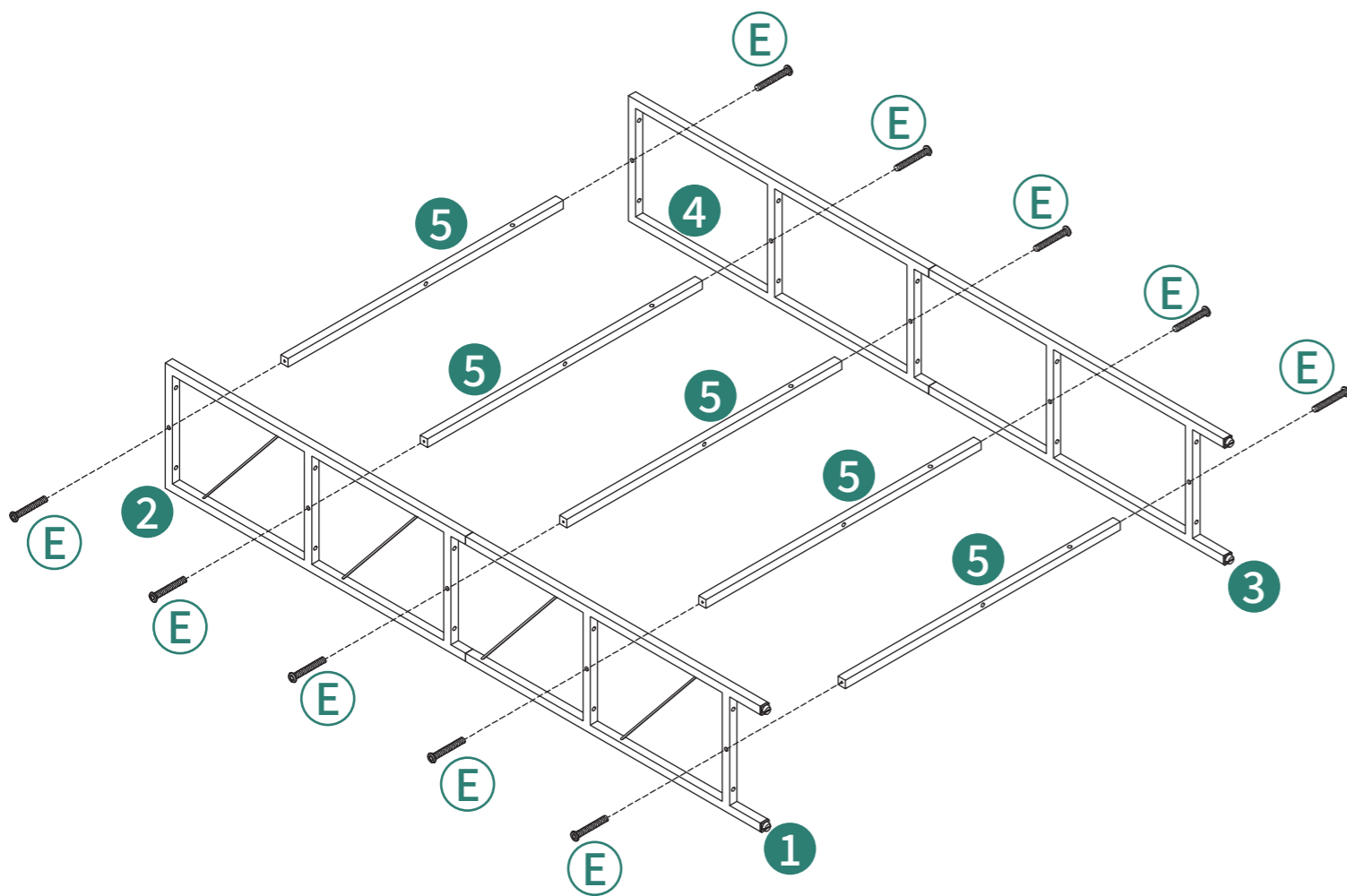
3



⑤ 5PCS

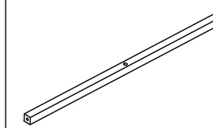


ⓔ 10PCS

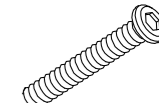


6

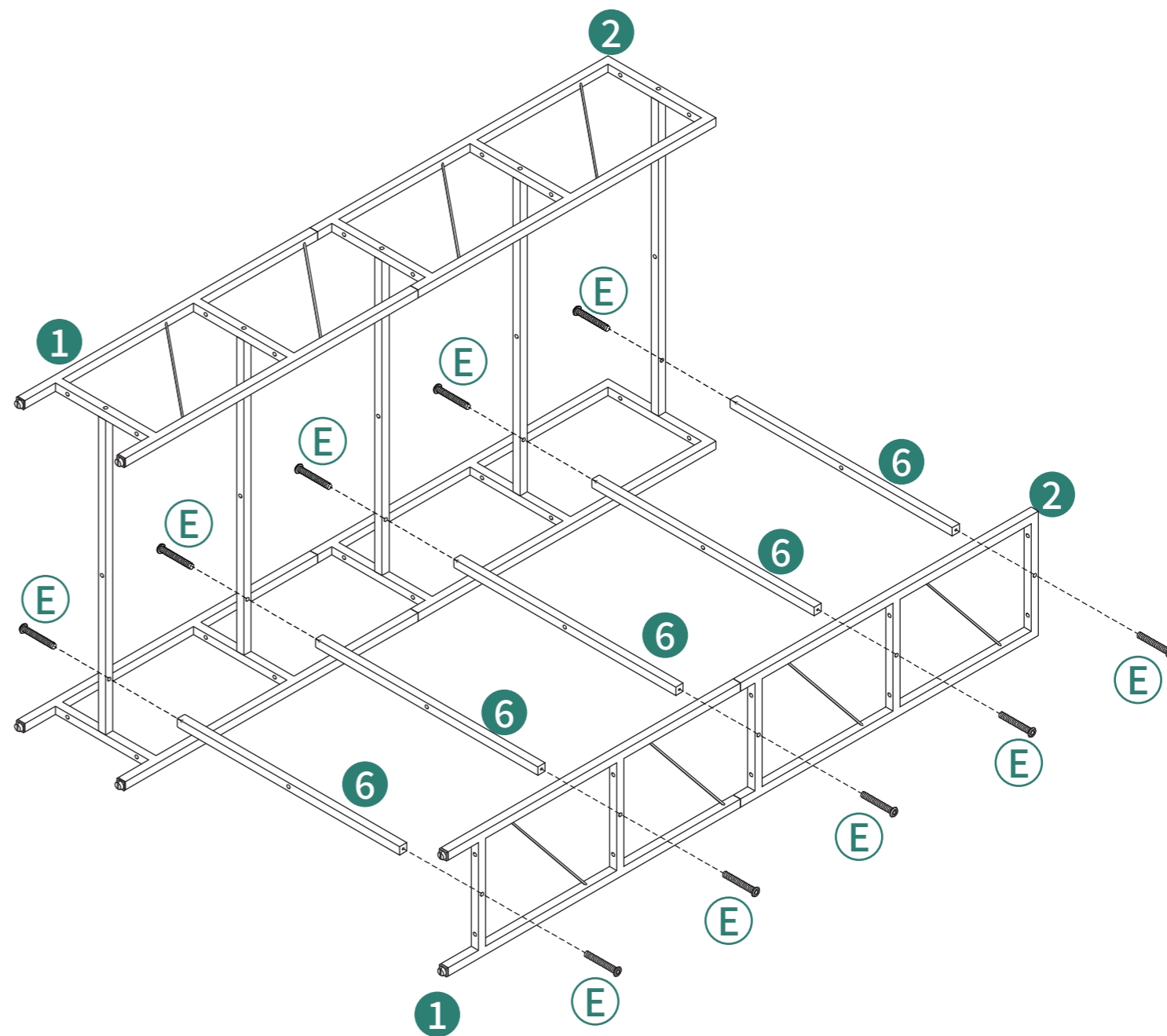
4



⑥ 5PCS

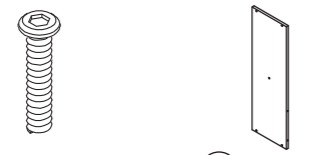


ⓔ 10PCS

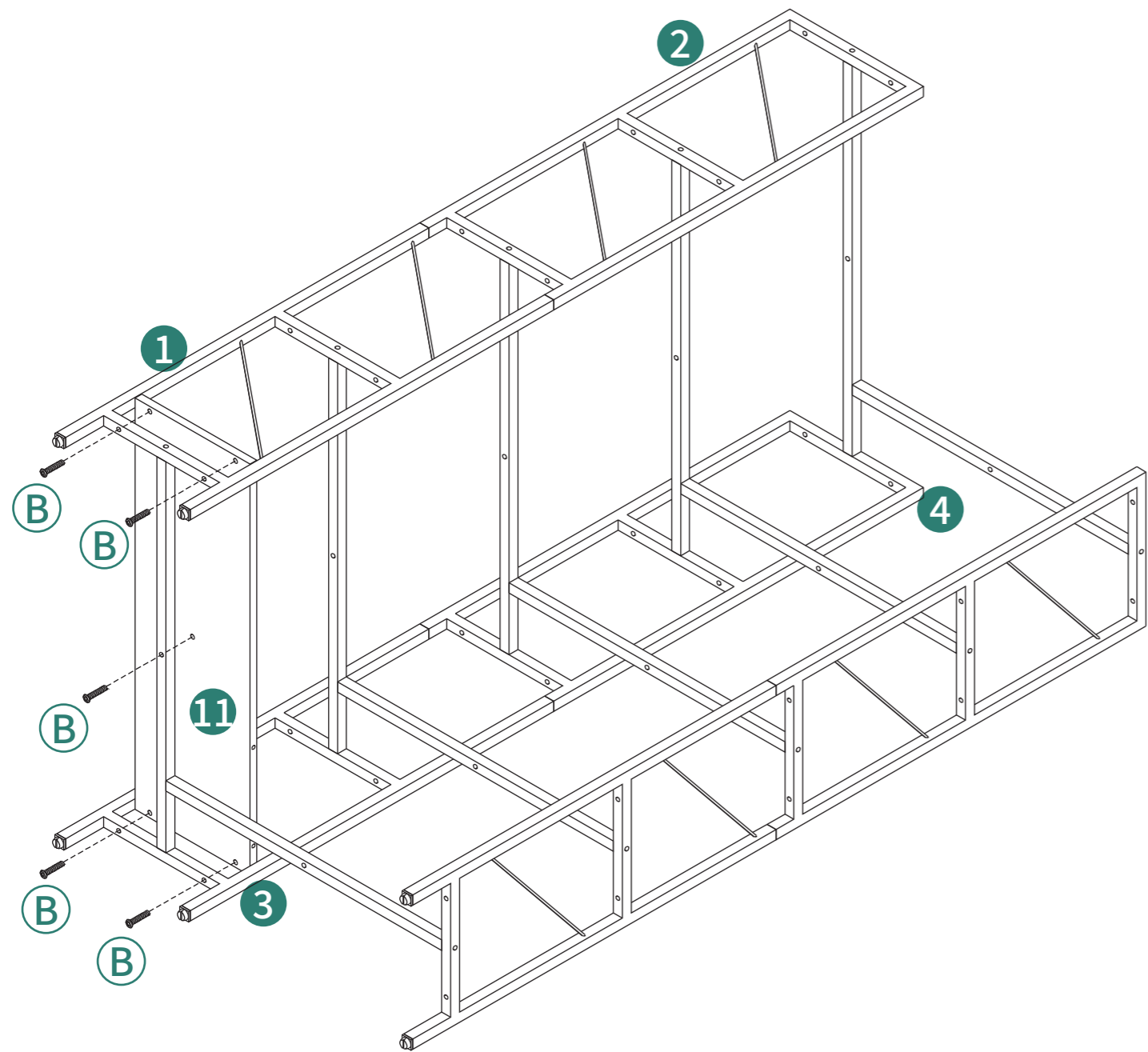


7

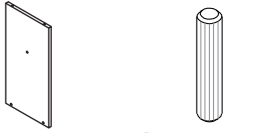
5



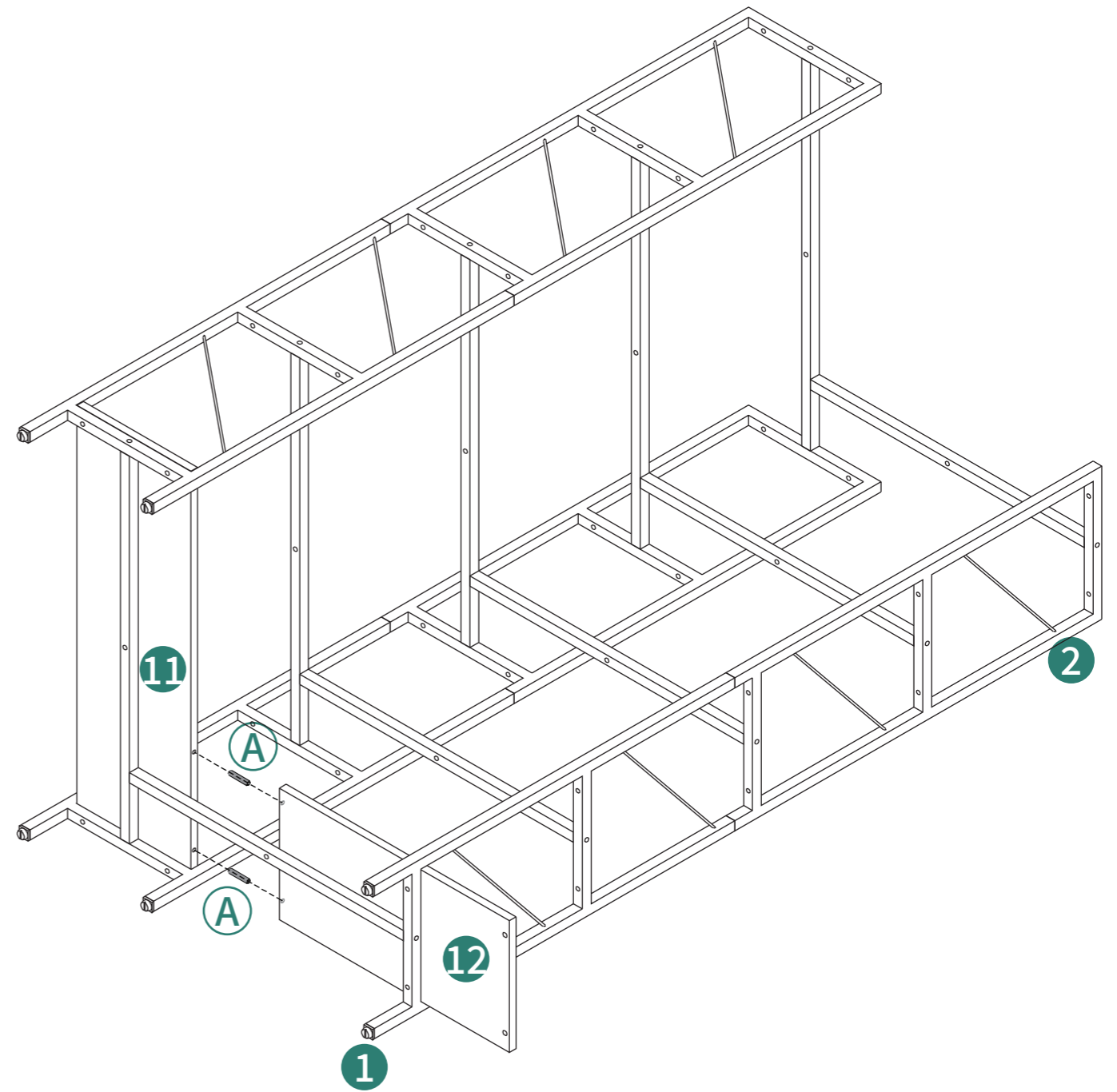
B 5PCS **11** 1PCS



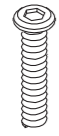
6



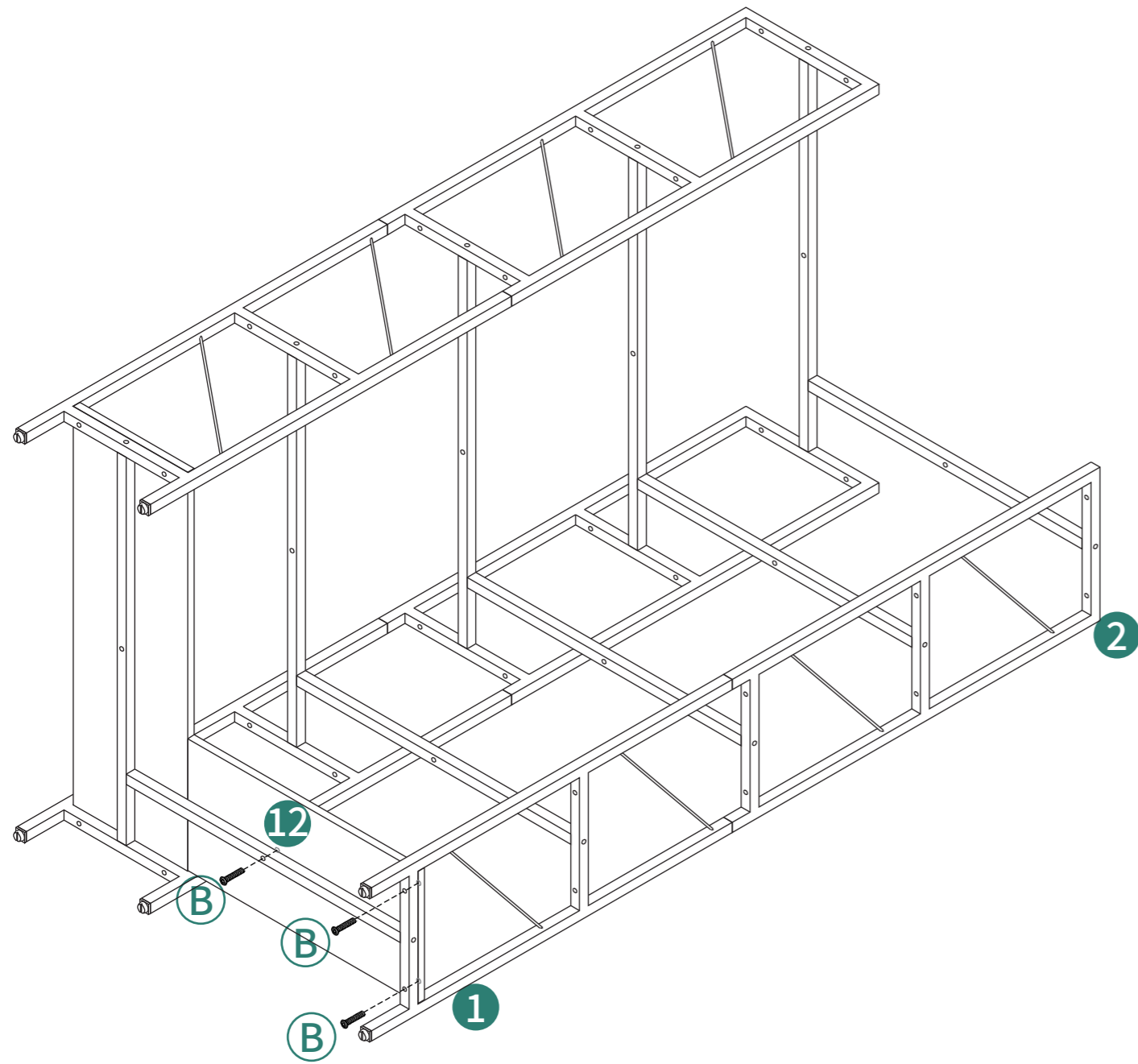
12 1PCS **A** 2PCS



7



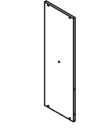
Ⓑ 3PCS



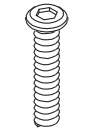
8



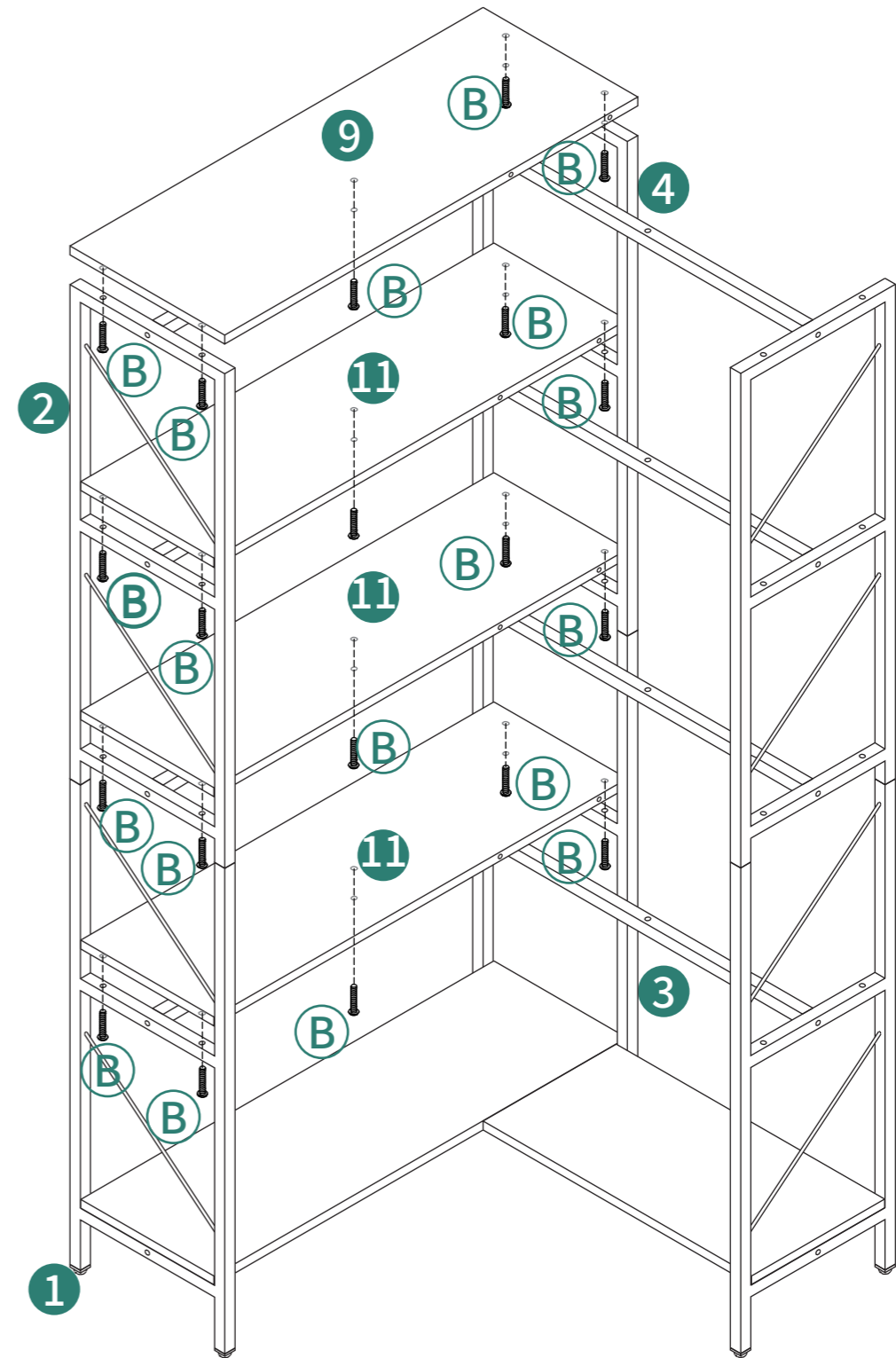
⑨ 1PCS



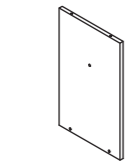
⑪ 3PCS



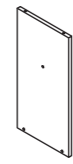
Ⓑ 20PCS



9



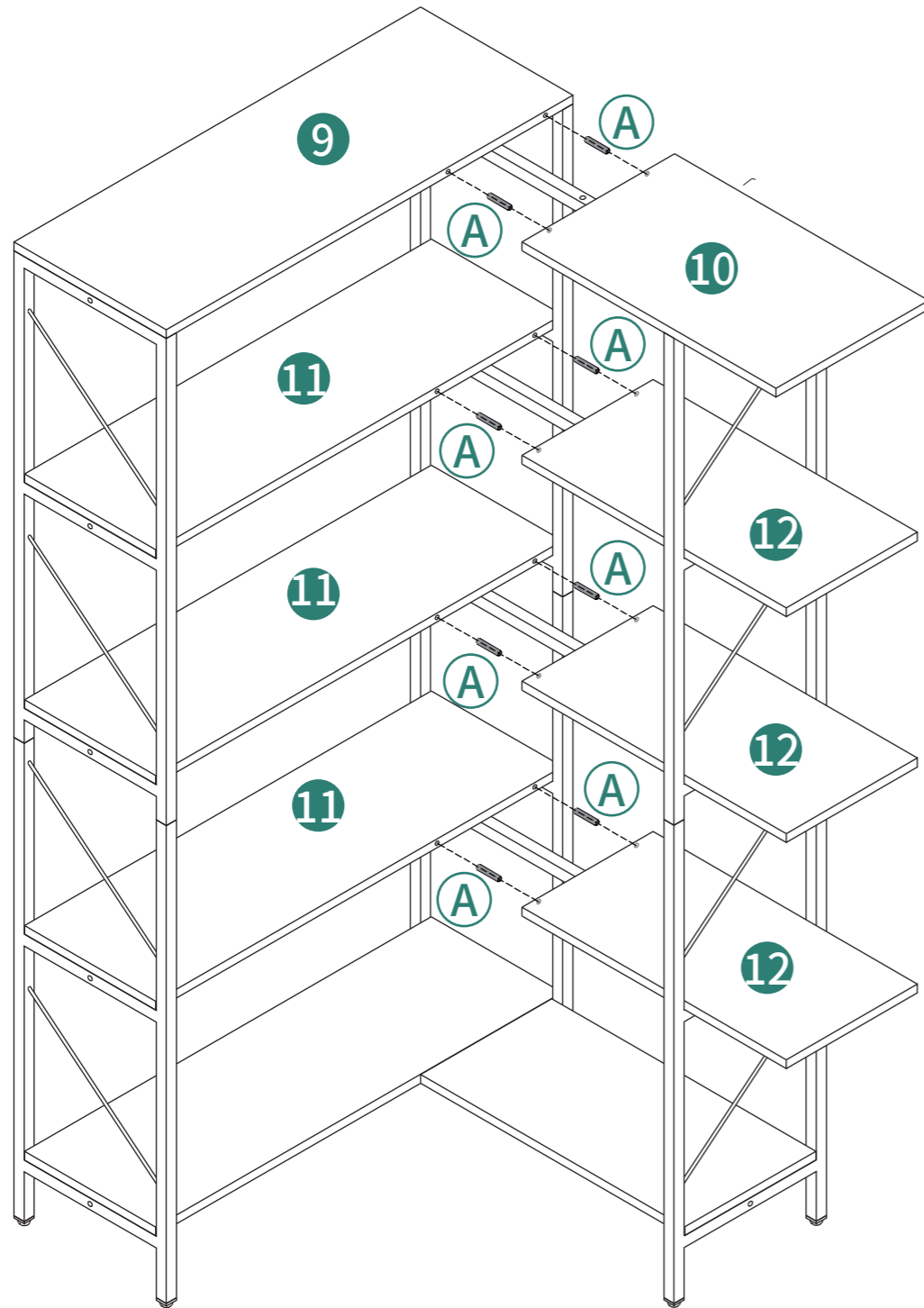
10 1PCS



12 3PCS



A 8PCS

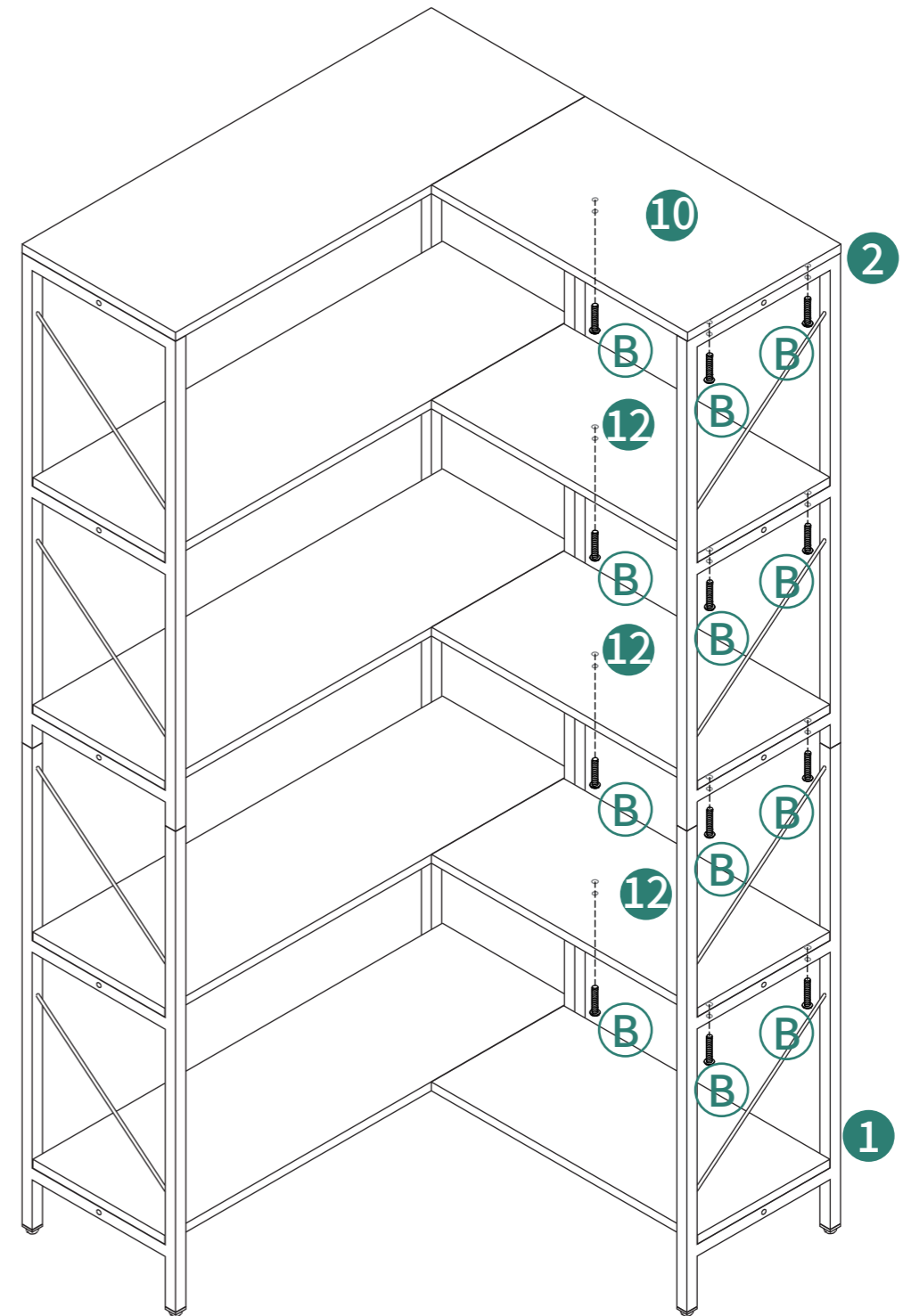


12

10



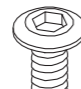



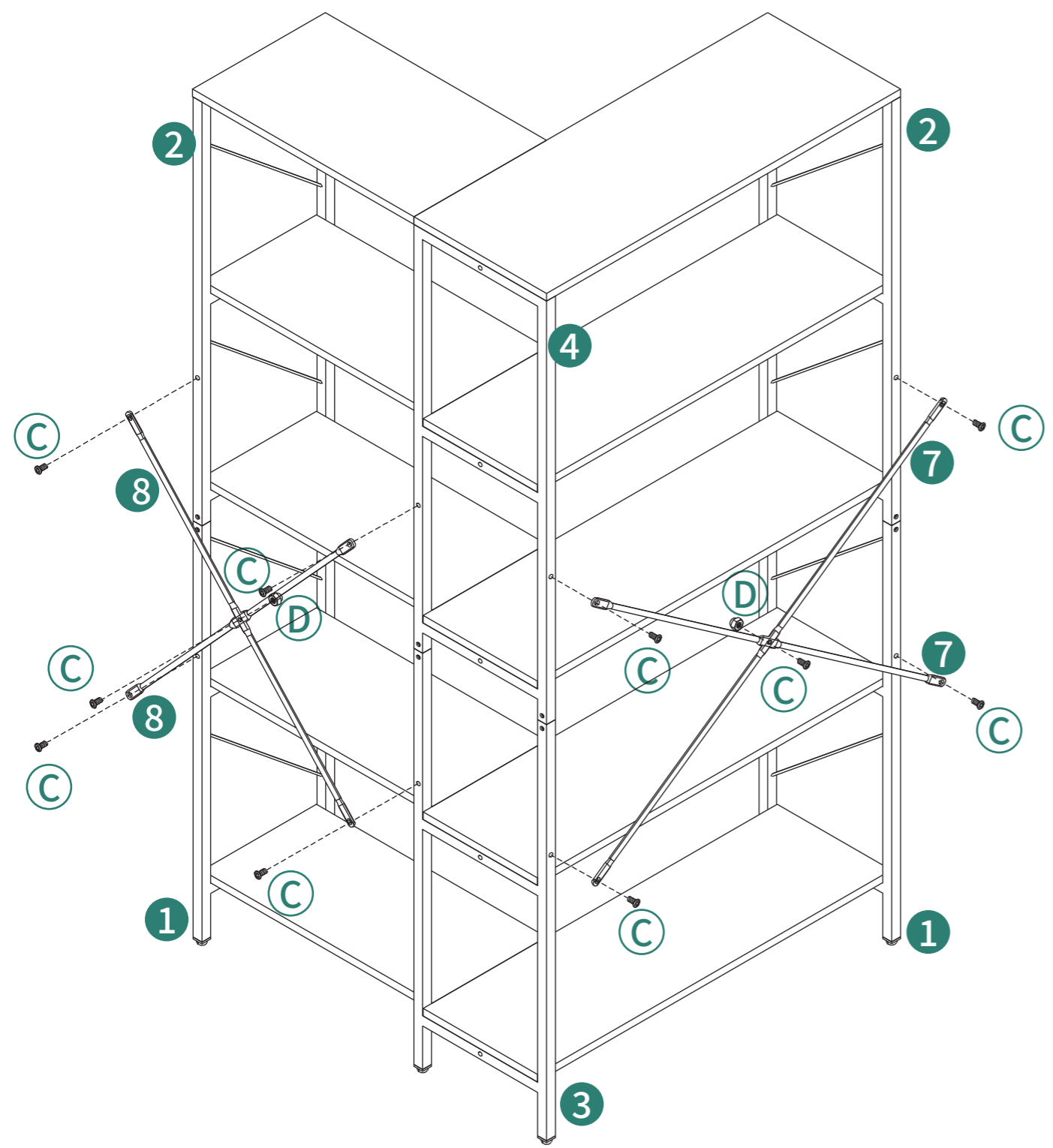
B 12ETS



13

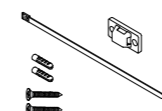
11

- 
⑦ 2PCS
- 
⑧ 2PCS
- 
③ 10PCS
- 
④ 2PCS



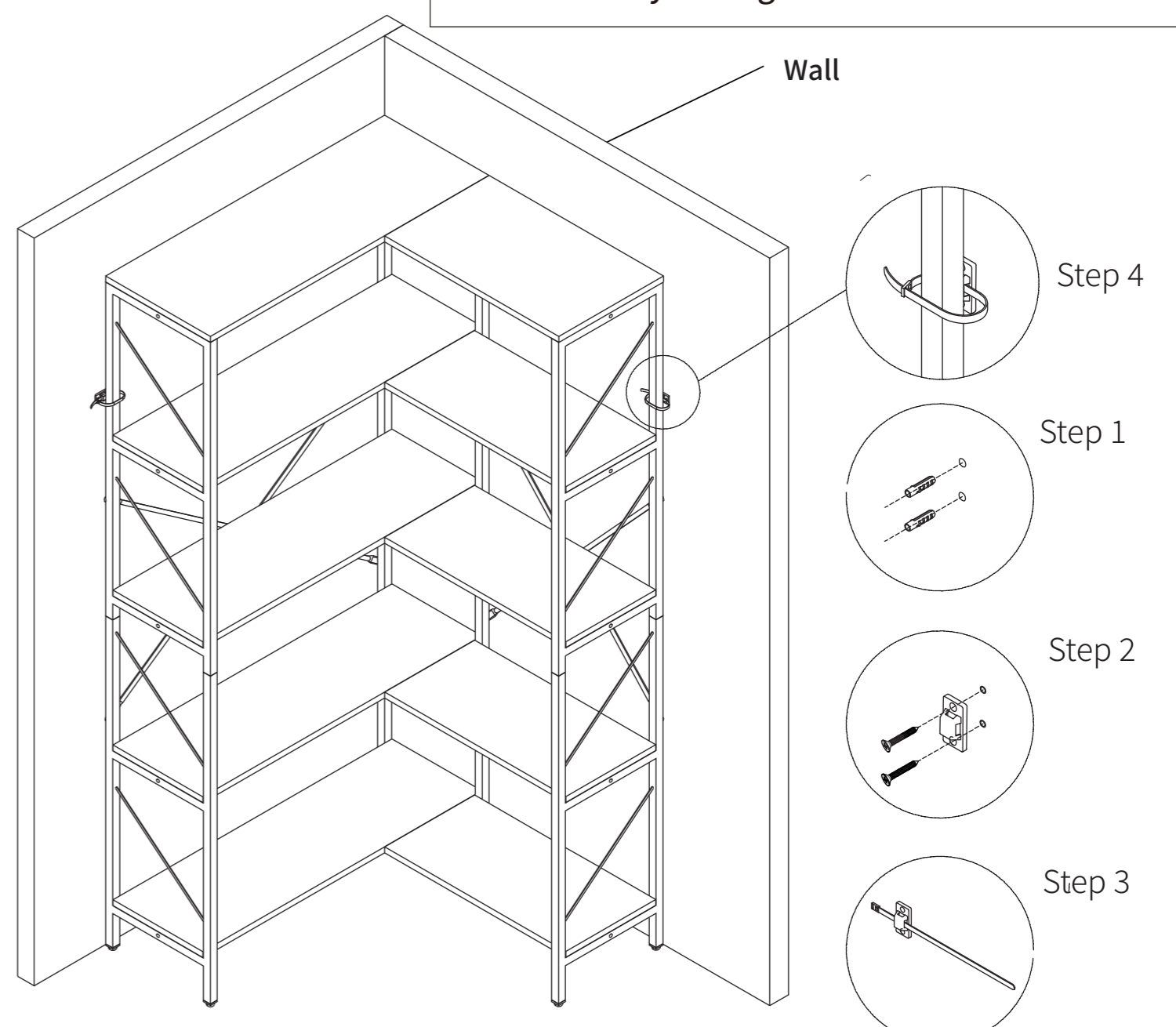
14

12

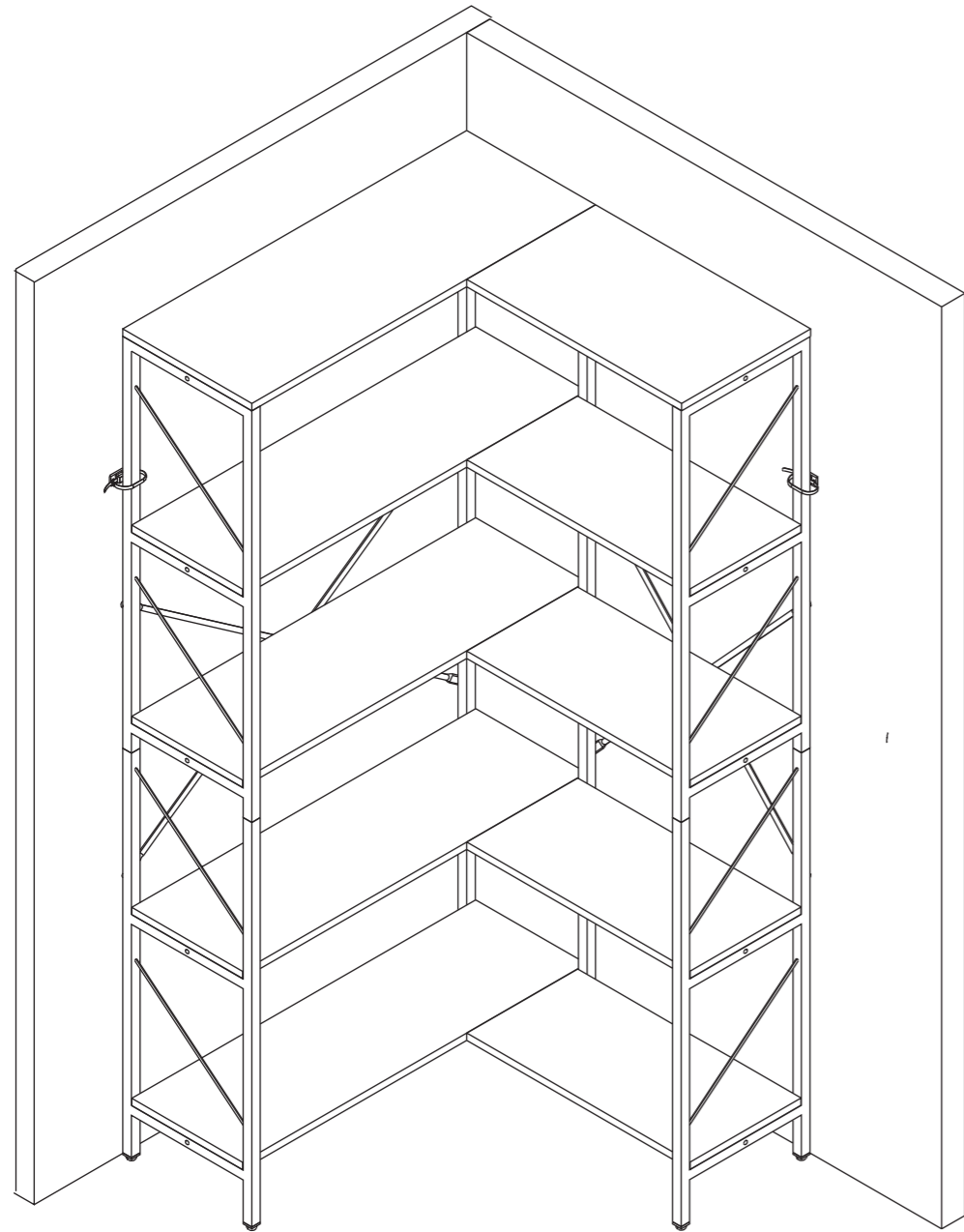
- 
⑥ 2PCS



Attention: For safety and stability, we suggest you have to secure the anti-tip accessories to the wall to prevent tipping, injury, and property damage.



15



Installation Completed