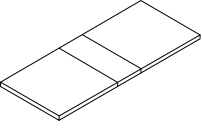
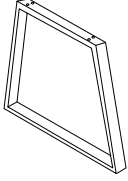

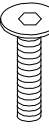
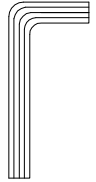
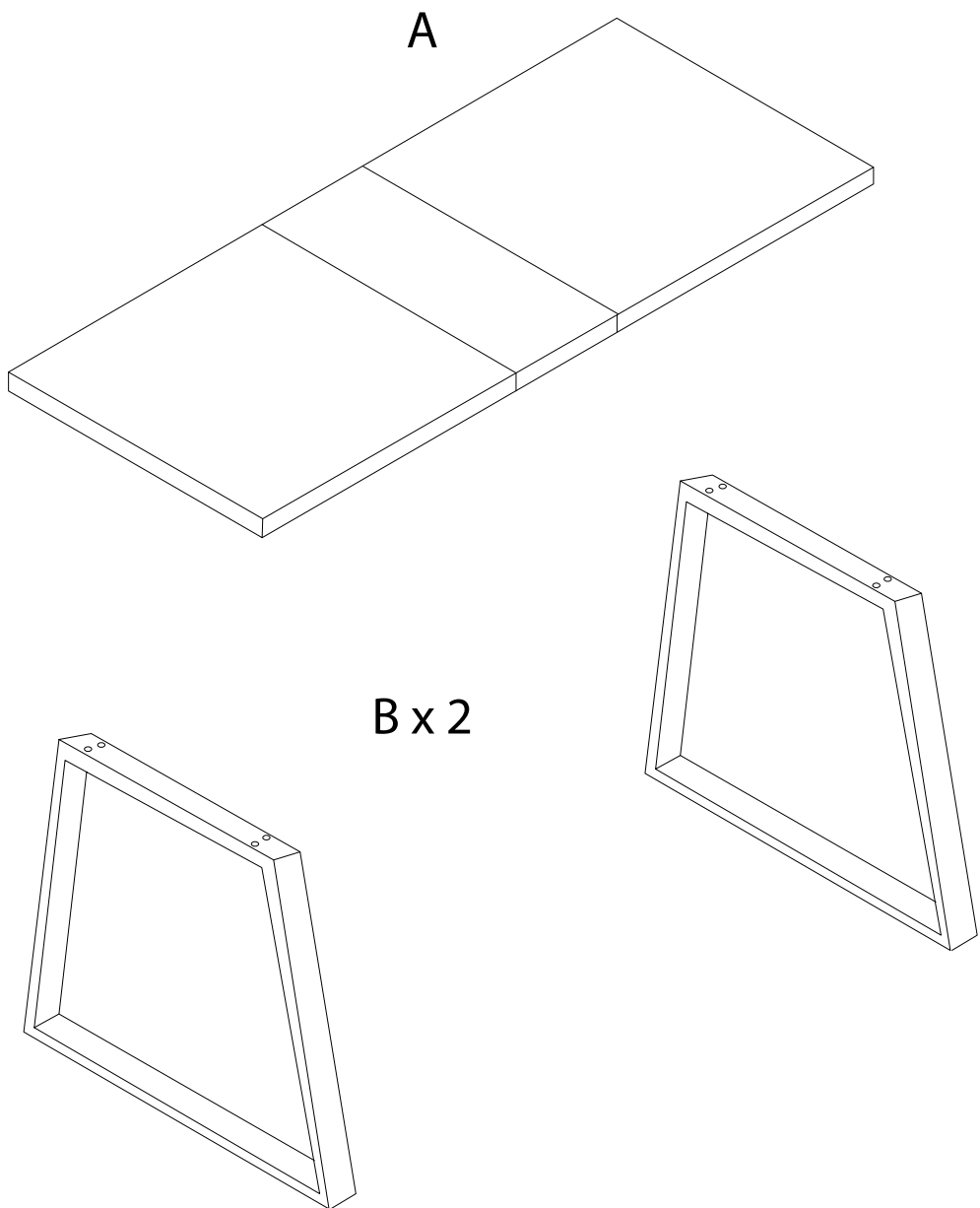


Diagram illustrating assembly steps and safety warnings:

- Step 1:** Shows an L-shaped bracket being inserted into a hole in the table leg. A power drill is shown with a slash through it, indicating that a power drill should not be used for this step. A warning triangle with an exclamation mark is present.
- Step 2:** Shows a rectangular block being placed on a surface. A power drill is shown with a slash through it, indicating that a power drill should not be used for this step. A warning triangle with an exclamation mark is present.
- Time:** A clock icon is shown next to the text "20'", indicating a 20-minute assembly time.
- Personnel:** A person icon is shown next to the number "2", indicating that two people are required for assembly.

<p style="text-align: center;"><b>A</b></p>  <p style="text-align: center;"><b>x1</b></p>	<p style="text-align: center;"><b>B</b></p>  <p style="text-align: center;"><b>x2</b></p>	<p style="text-align: center;"><b>C</b></p>  <p style="text-align: center;"><b>x8</b></p>	<p style="text-align: center;"><b>D</b></p>  <p style="text-align: center;">M8 x 30</p> <p style="text-align: center;"><b>x8</b></p>	<p style="text-align: center;"><b>E</b></p>  <p style="text-align: center;"><b>x1</b></p>
--	--	--	--	--



1

