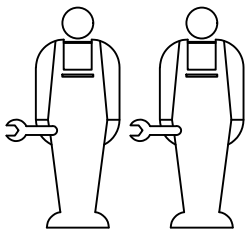
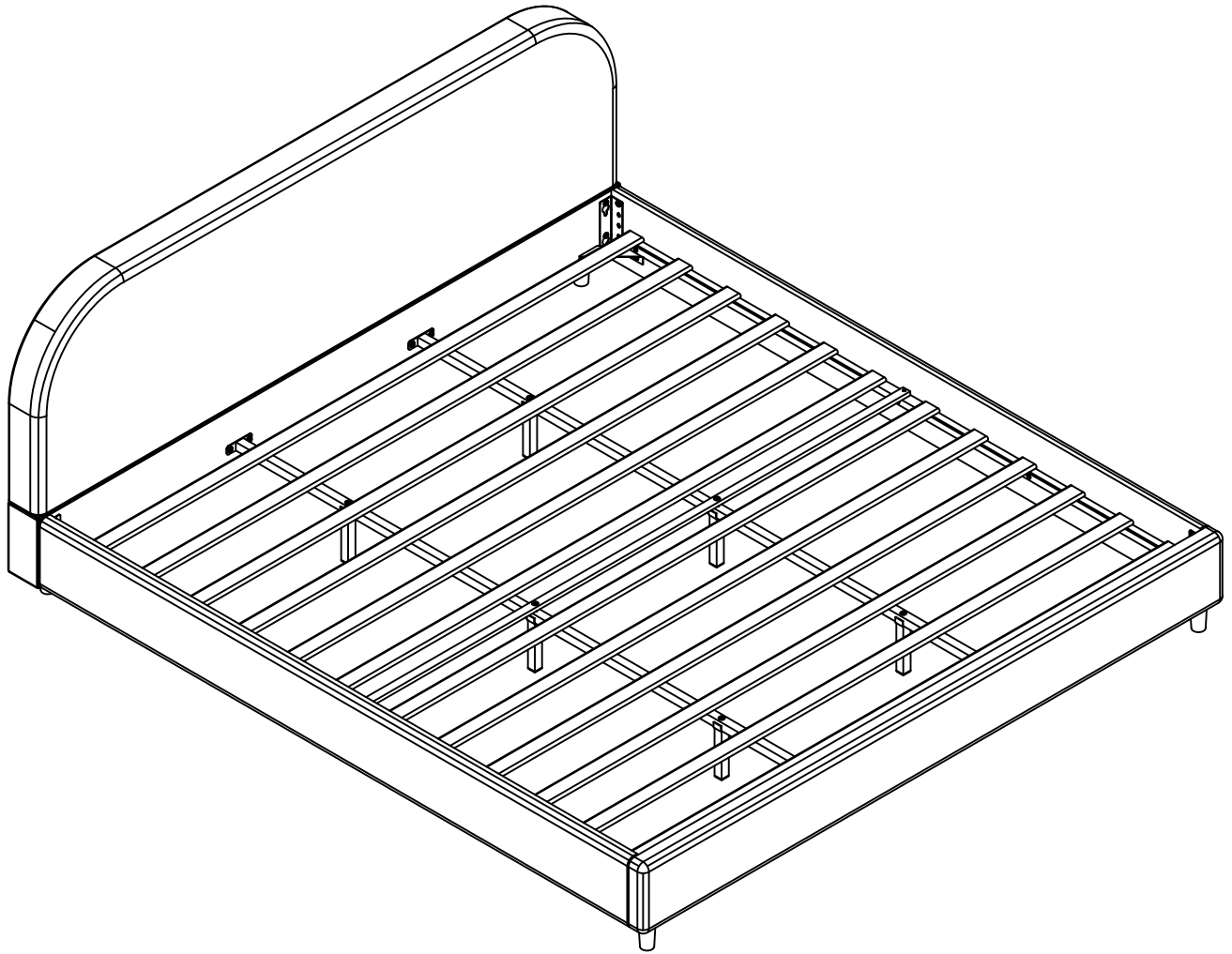


BED FRAME

SIZE:KING



Suggestion:

For a simpler and quicker assembly process,
we recommend that two people work together.

Due to the product's structure, the estimated assembly time is 30 minutes.

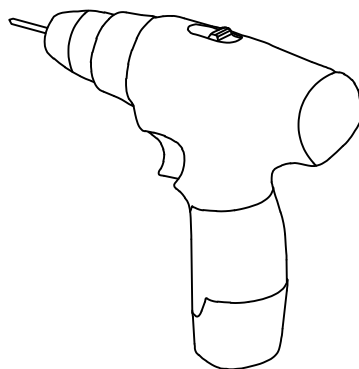
IMPORTANT:

1. Please read the instructions carefully before assembling the product.
2. Before starting the assembly process, check the package carefully to make sure all necessary boards and parts are included.
3. If there are any defective or missing parts after unpacking, please stop assembly and immediately contact us.
4. Before assembly, put all parts and boards in an open area. Ensure that you have the correct parts before screwing them in place.

⚠ Warning:

1. During assembly, keep all small objects out of the reach of children, as they may be fatalif swallowed or inhaled
2. Never allow children to climb or play around the product to protect children from injury caused by the tilting of the product.
3. To avoid the potential dangers of suffocation, please keep all parts and packaging away from children.

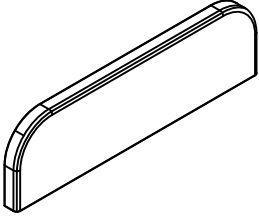
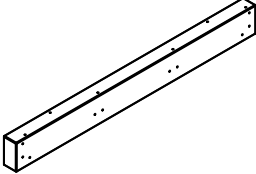
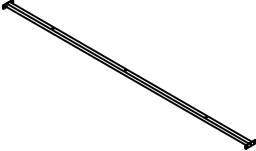

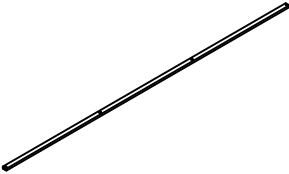
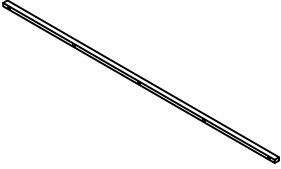
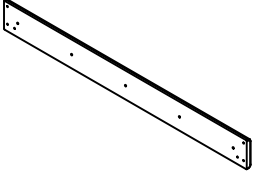
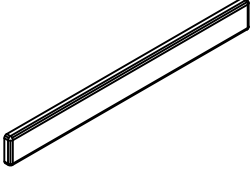
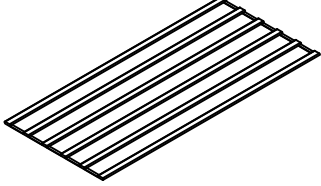
Self equipped tools



Electric Drill
(Not included)

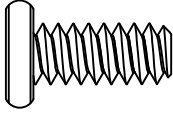
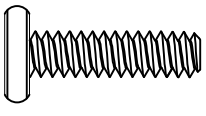
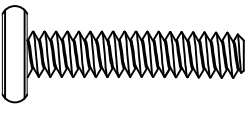


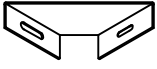
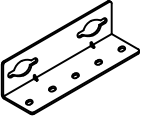

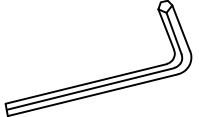
Parts Identification

Not actual size

<p>①</p>  <p>Q'ty: 1</p>	<p>②</p>  <p>Q'ty: 1</p>	<p>③</p>  <p>Q'ty: 2</p>
<p>④</p>  <p>Q'ty: 6</p>	<p>⑤</p>  <p>Q'ty: 1</p>	<p>⑥</p>  <p>Q'ty: 2</p>
<p>⑦</p>  <p>Q'ty: 2</p>	<p>⑧</p>  <p>Q'ty: 1</p>	<p>⑨</p>  <p>Q'ty: 2</p>

Part #9 is packed inside Part #2.
Please remove Part #9 from Part #2 for installation.

Hardware List

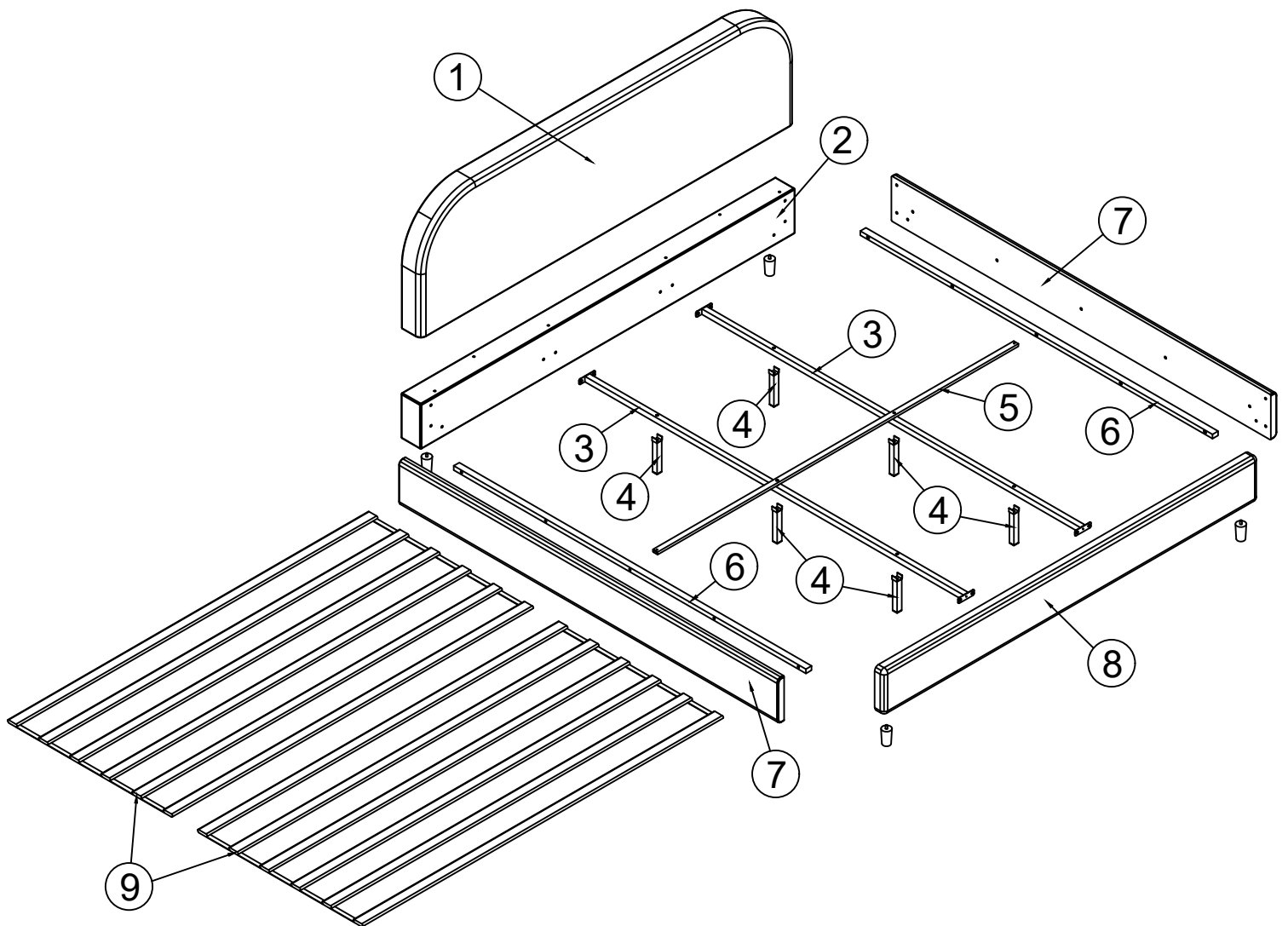
 M8 x 20mm	 M8 x 35mm	 M8 x 45mm	 Φ5*20mm
(A) x 32+3	(B) x 14+2	(C) x 8+1	(D) x 2+1
 M8			
(E) x 1	(F) x 4	(G) x 4	(H) x 4
 M8			
(I) x 1			

★ In many cases, we include additional hardware. So after following the assembly instructions, don't worry if there are still extra pieces left over—they're included as a "just in case" for your convenience.

★ NOTE: When assembling, please do not tighten the screws one by one completely first, until making sure that all the corresponding screws are placed in the right positions.

Parts Identification

Not actual size



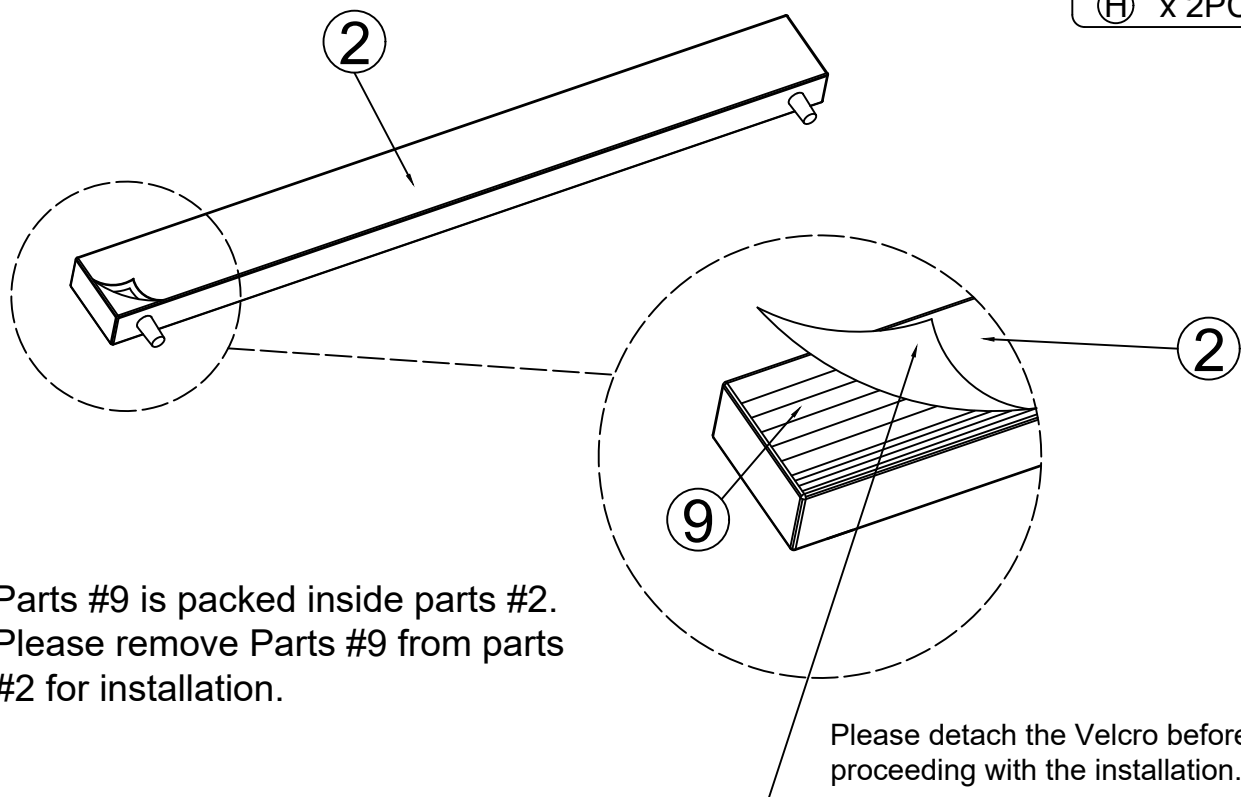
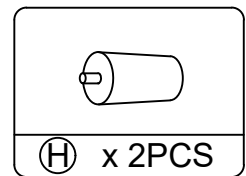
ATTENTION

When you begin each step, please check carefully whether you have taken the correct parts, so as not to use the wrong parts and cause the wrong assembly.

We recommend that you do not rush to tighten the screws. It is best to tighten the screws to two-thirds first, after all the steps are finished and the position is well adjusted, then tighten.

STEP 1

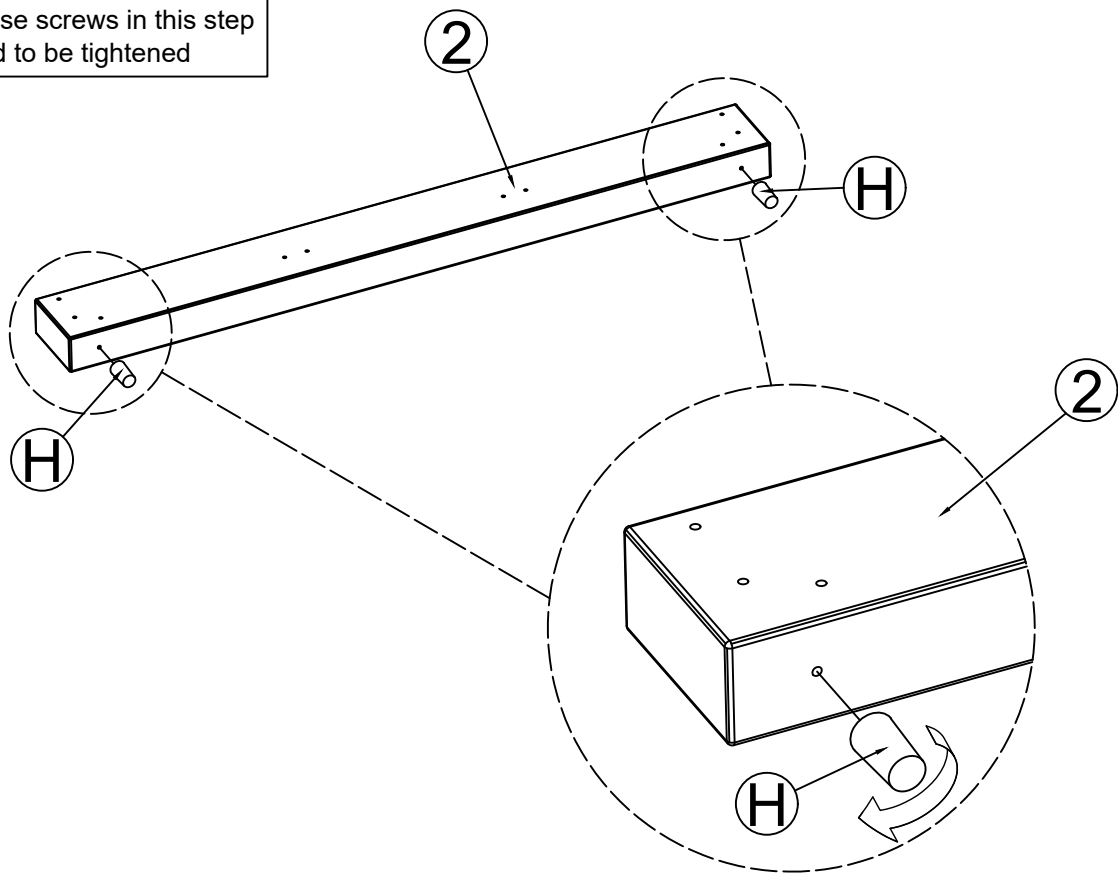
⚠ Please screws in this step need to be tightened



Parts #9 is packed inside parts #2. Please remove Parts #9 from parts #2 for installation.

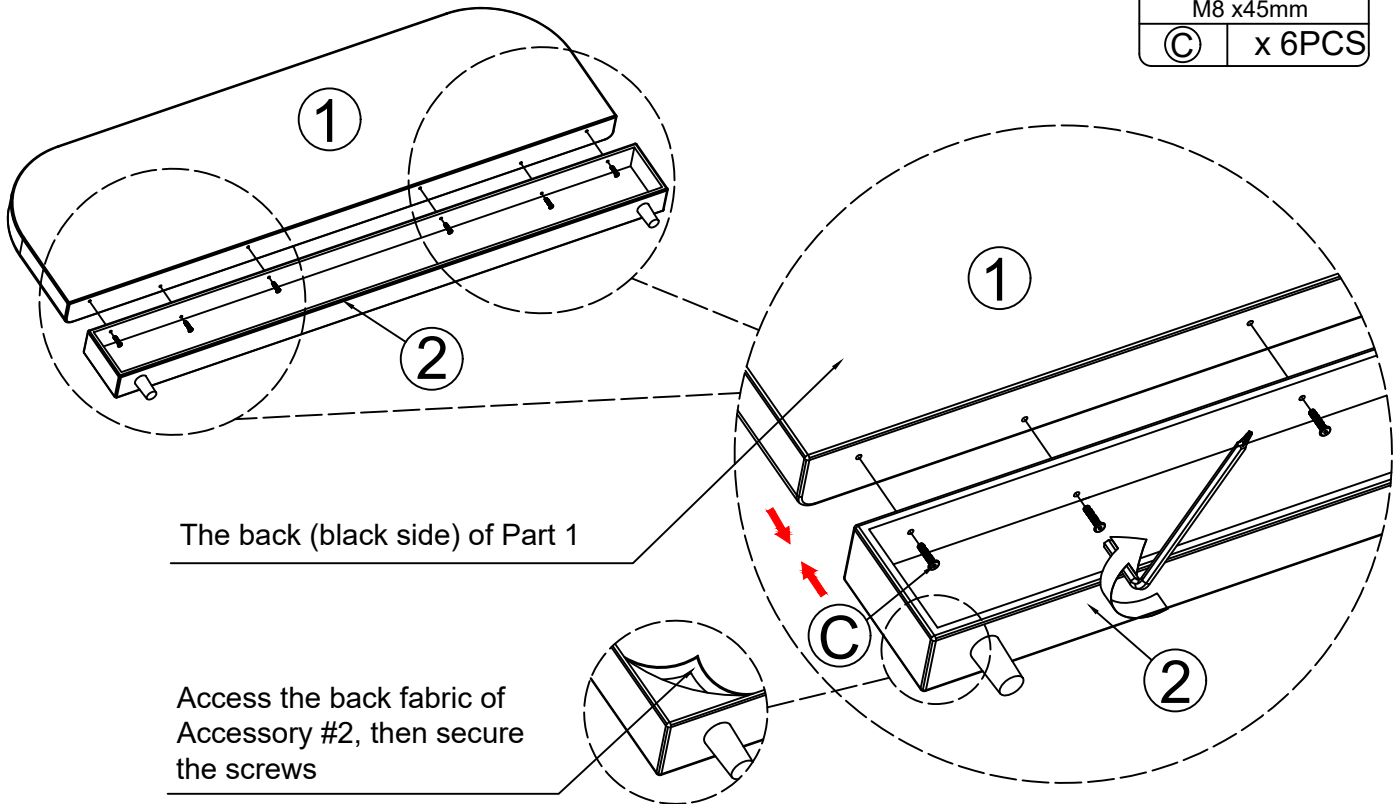
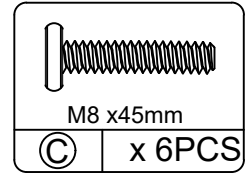
STEP 2

⚠ Please screws in this step need to be tightened



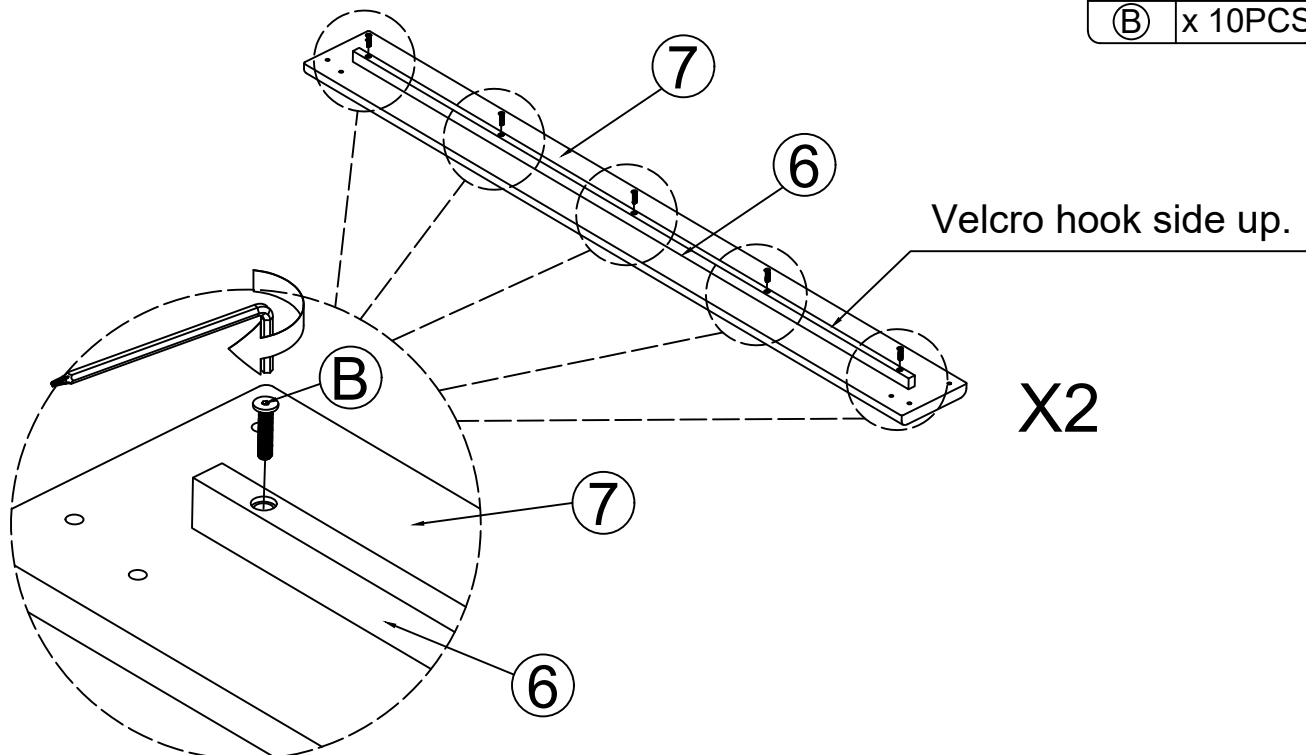
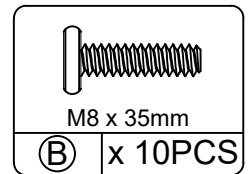
STEP 3

⚠ Please screws in this step need to be tightened

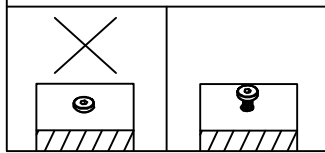


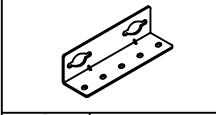
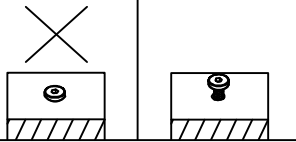
STEP 4

⚠ Please screws in this step need to be tightened

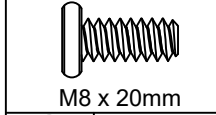


STEP 5

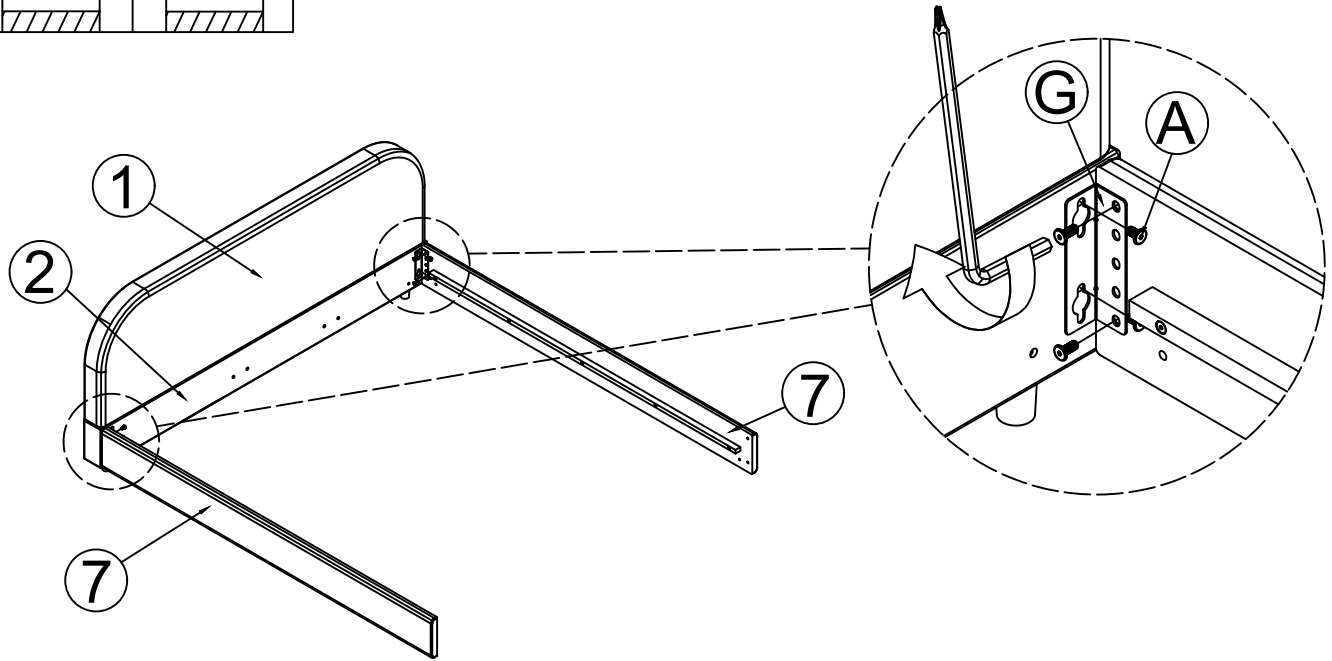
 Please tighten the bolts to 80% first, and tighten all bolts 100% after all parts are assembled.




G x 2PCS

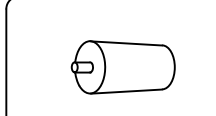


M8 x 20mm
A x 8PCS

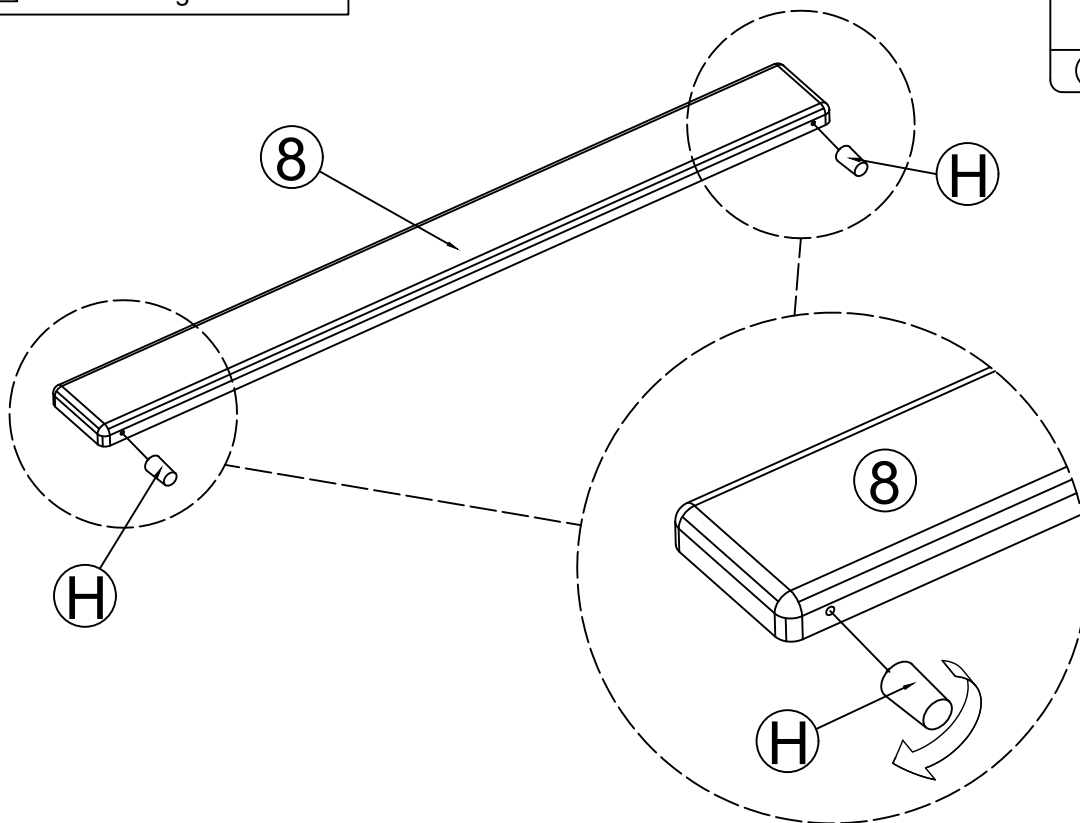


STEP 6

 Please screws in this step need to be tightened

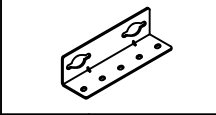
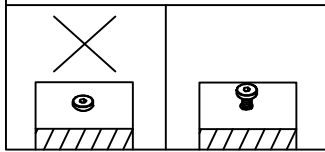


H x 2PCS

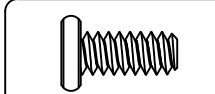


STEP 7

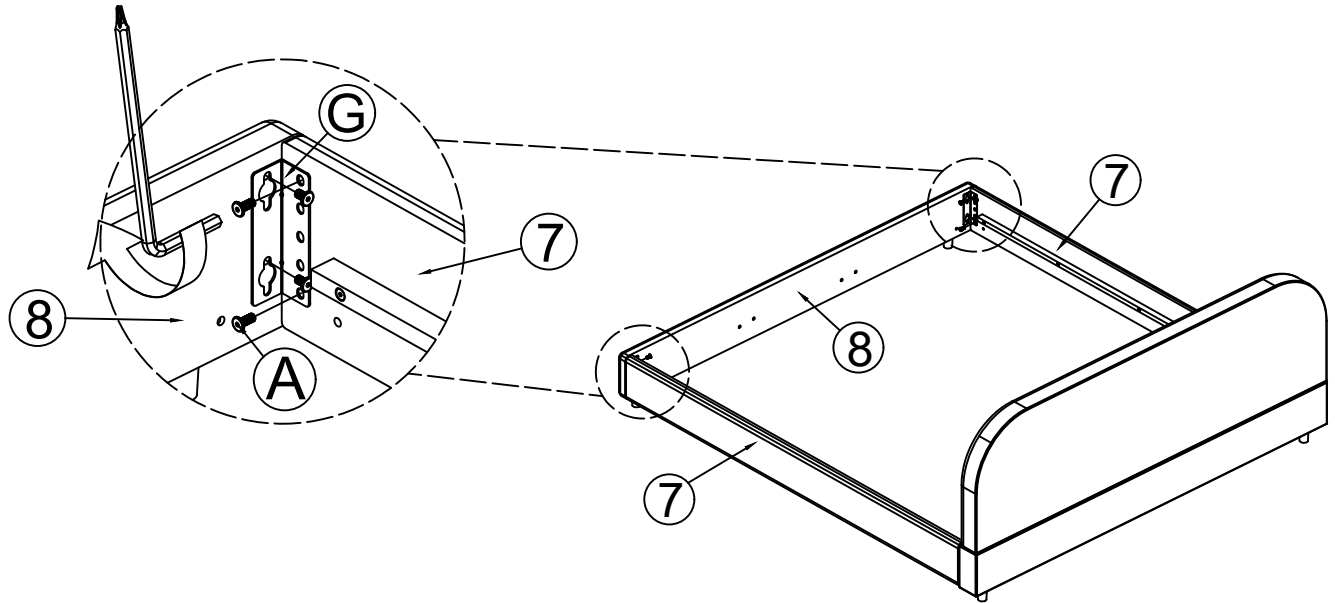
⚠ Please tighten the bolts to 80% first, and tighten all bolts 100% after all parts are assembled.



Ⓒ x 2PCS

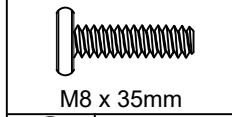


M8 x 20mm
Ⓐ x 8PCS

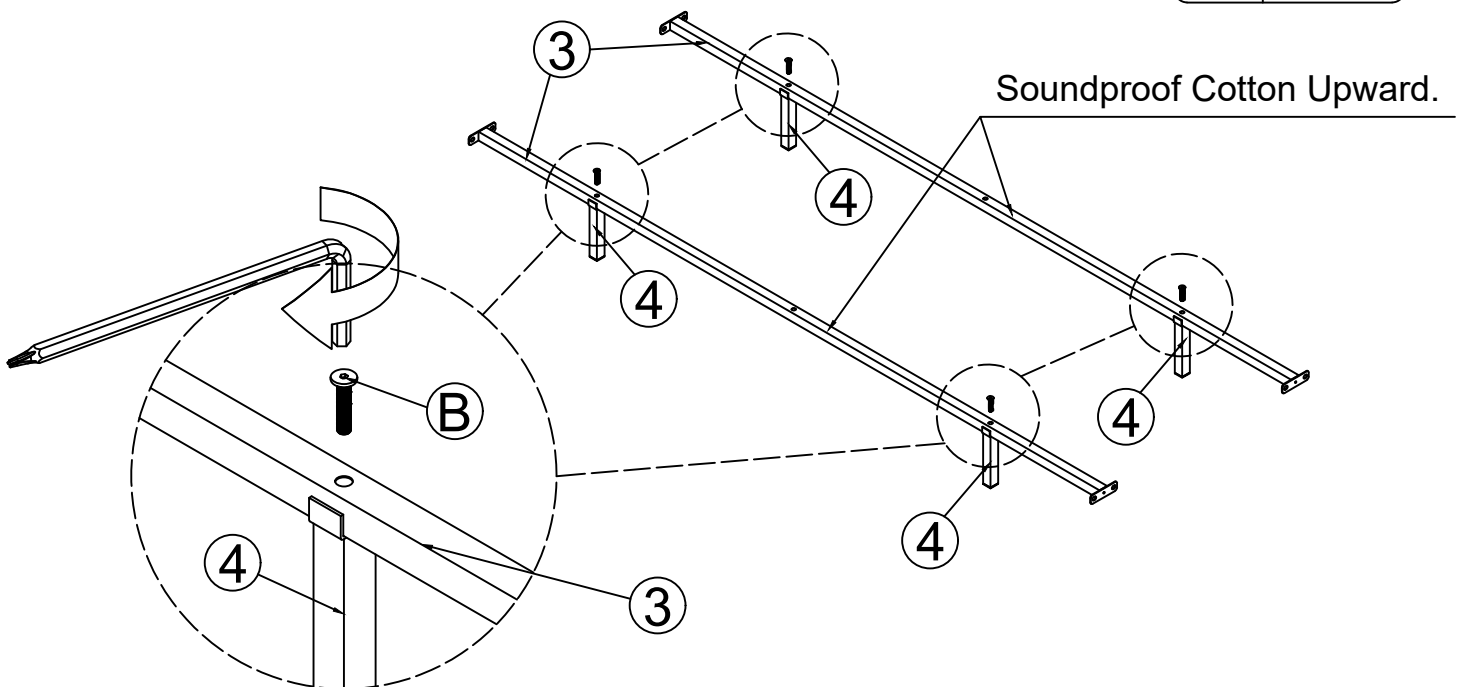


STEP 8


⚠ Please screws in this step need to be tightened

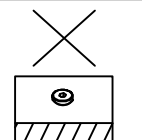



M8 x 35mm
Ⓑ x 4PCS



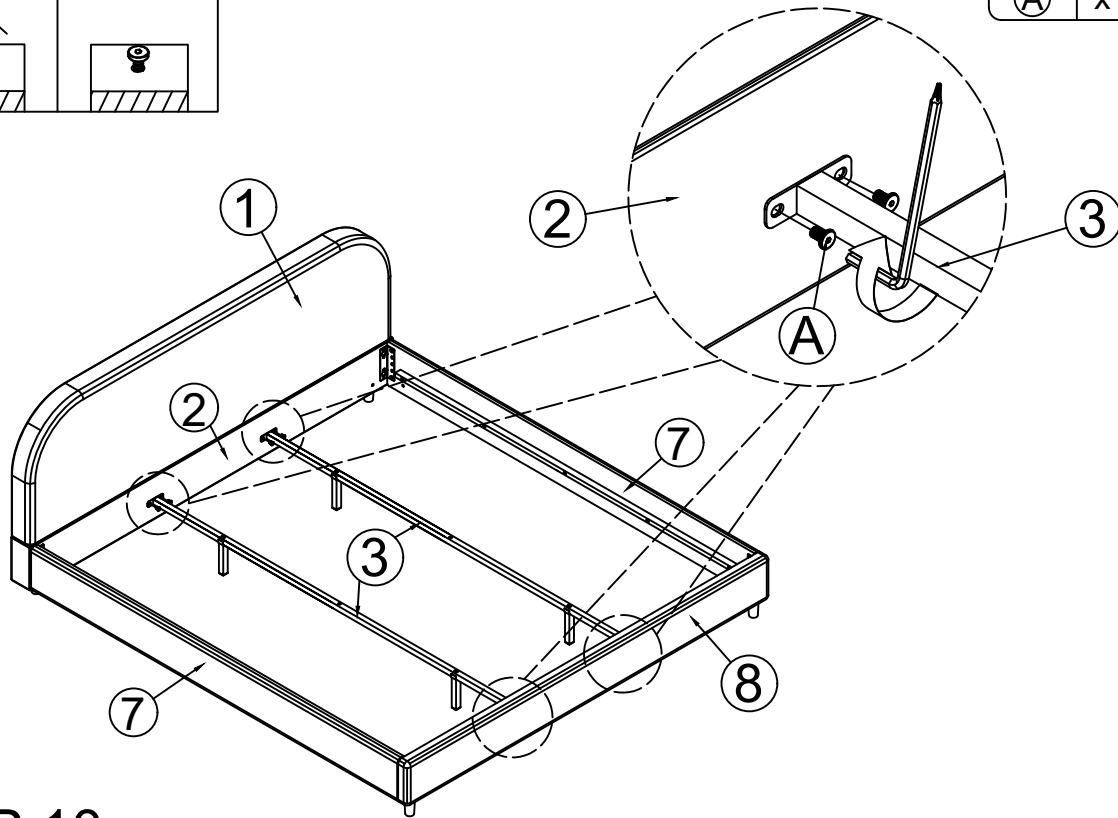
STEP 9


 Please tighten the bolts to 80% first, and tighten all bolts 100% after all parts are assembled.





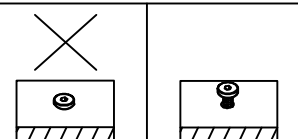
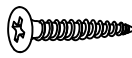
M8 x 20mm

(A) x 8PCS




STEP 10


 Please tighten the bolts to 80% first, and tighten all bolts 100% after all parts are assembled.

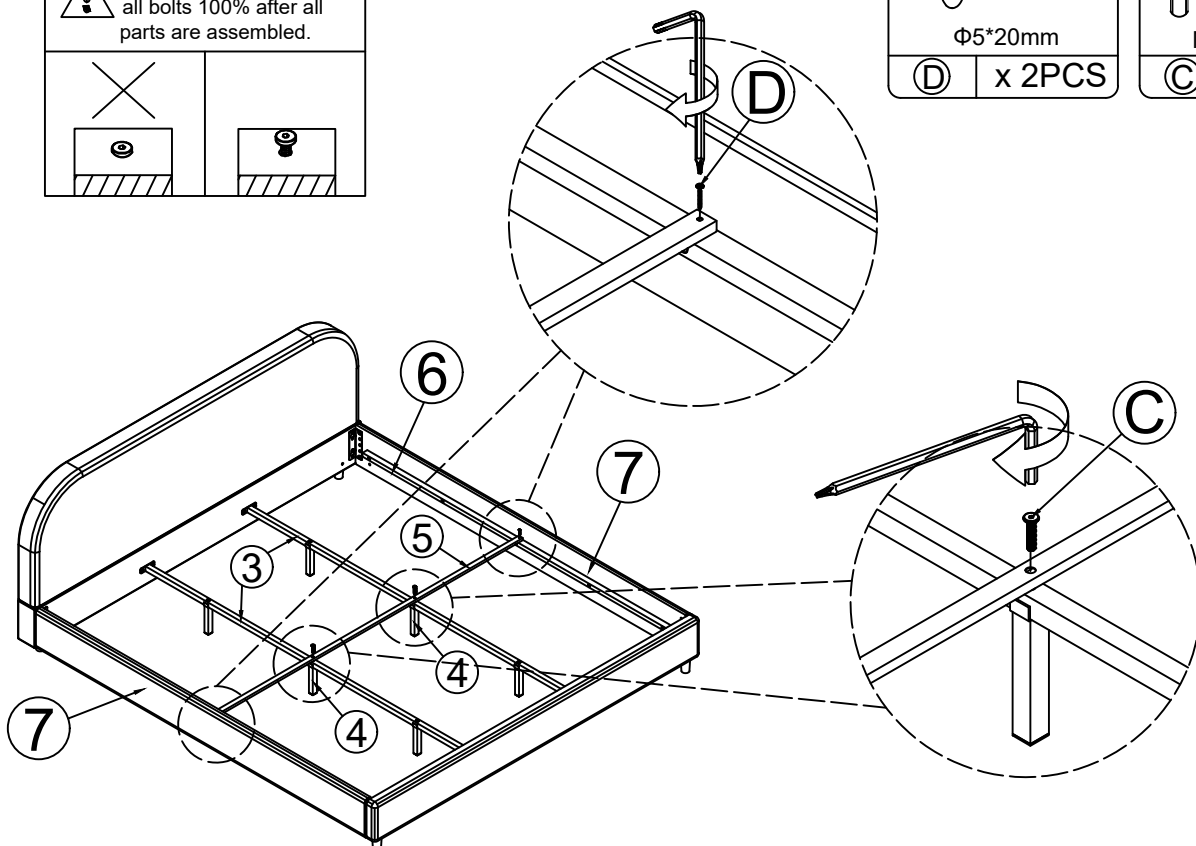
Φ5*20mm

(D) x 2PCS




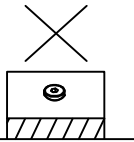
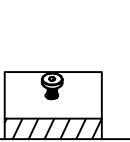
M8 x 45mm


(C) x 2PCS



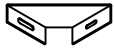
STEP 11

 Please tighten the bolts to 80% first, and tighten all bolts 100% after all parts are assembled.

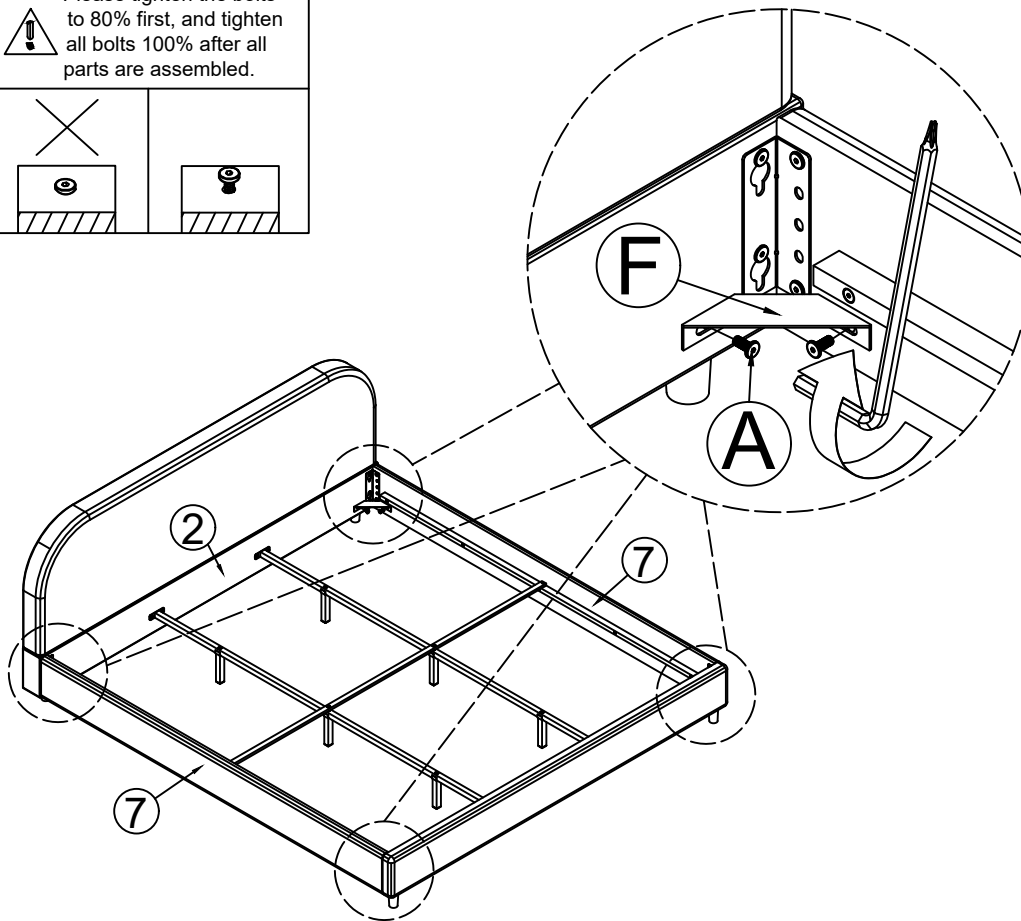
	
---	---



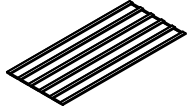
M8 x 20mm
Ⓐ x 8PCS



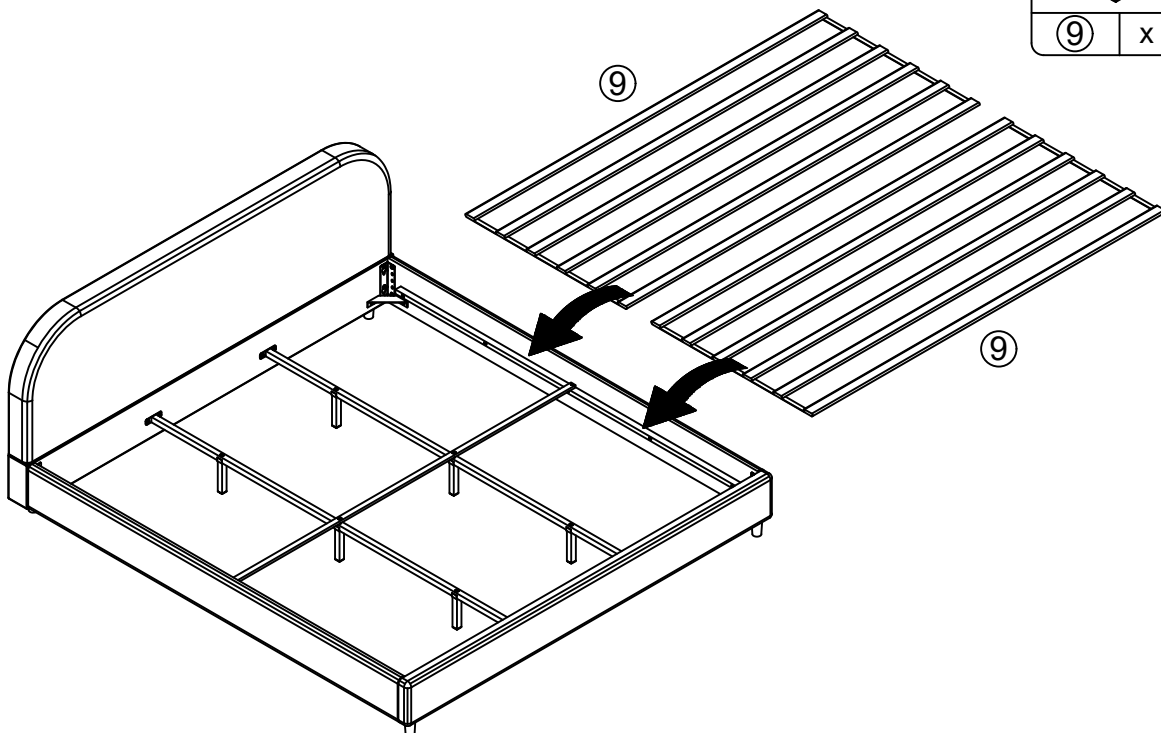
Ⓕ x 4PCS



STEP 12

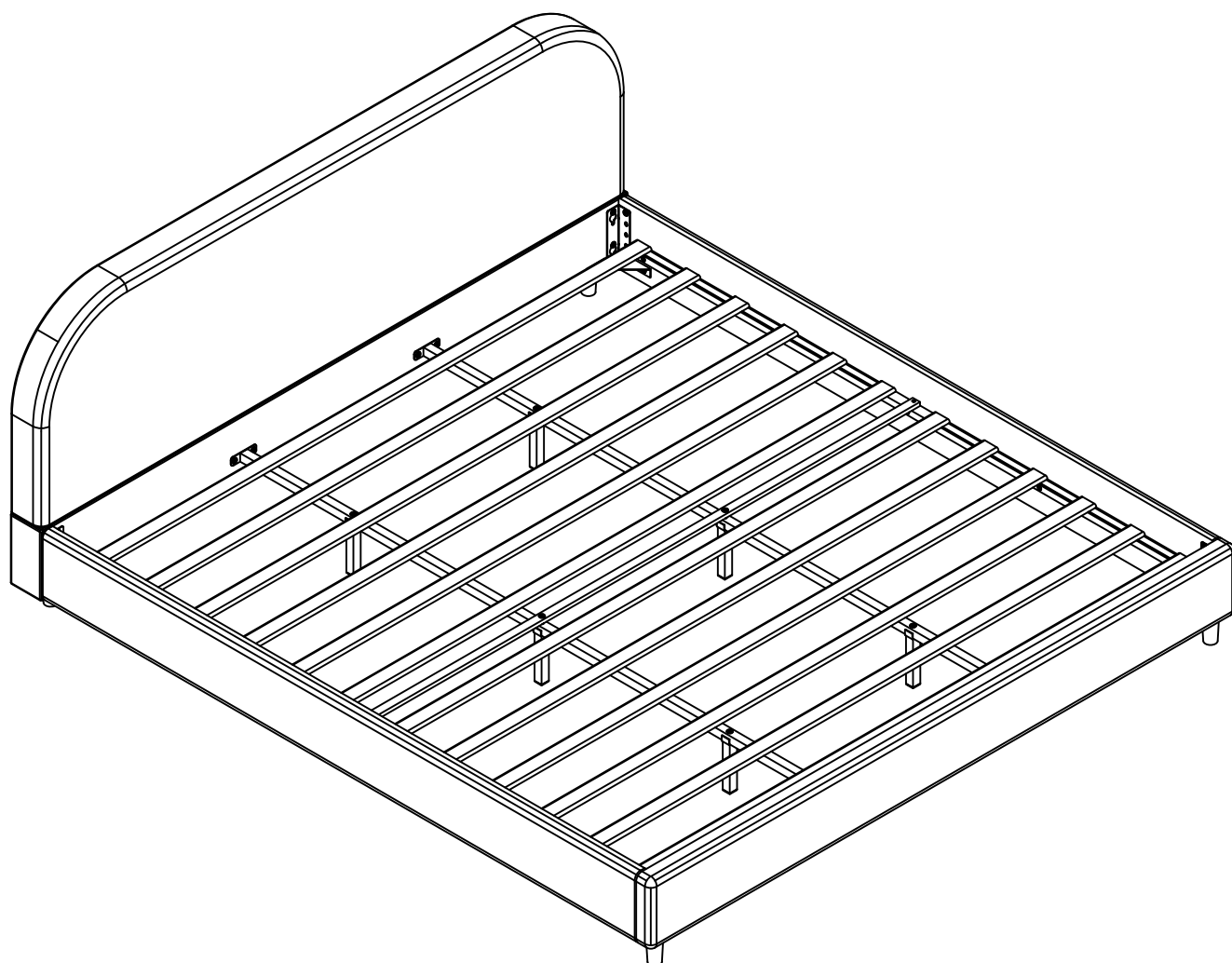


Ⓘ x 2PCS



STEP 13

Tighten all screws securely.



Congratulation:

Congratulations to you on completing the assembly of the product through your own efforts, you have done a great job.

The assembly of this product may have been difficult, but you still had the patience and perseverance to get it done.

Notes:

1. The product is designed for indoor use only and must be assembled and used according to the provided manual. Modifying or altering the product from its original design may result in personal injury or damage to the product.

Product Maintenance:

1. Please place this item on the level solid ground.
2. Avoid long-term exposure to humid environments to prevent mildew.
3. Keep the product away from high temperature environments or fire sources.
4. If accidentally spill water or another liquid on the surface, immediately wipe with a dry towel.
5. Regularly inspect the tightness of screws while using the product. If necessary, re-tighten to ensure structural stability.