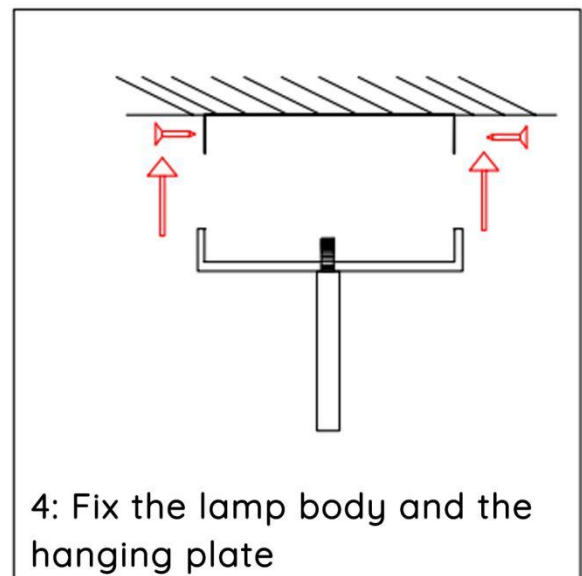
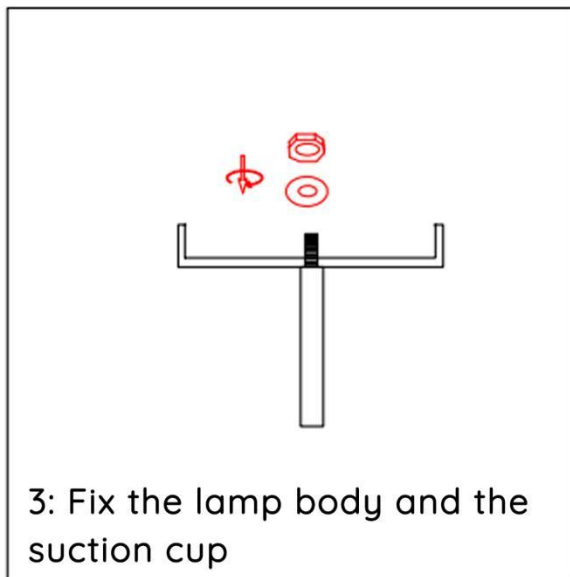
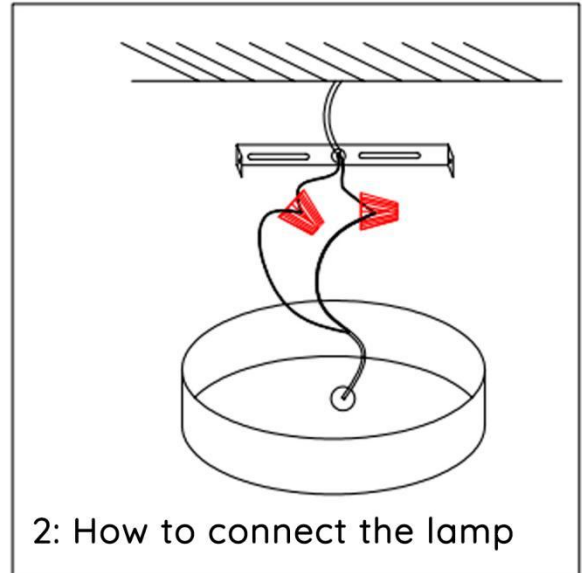
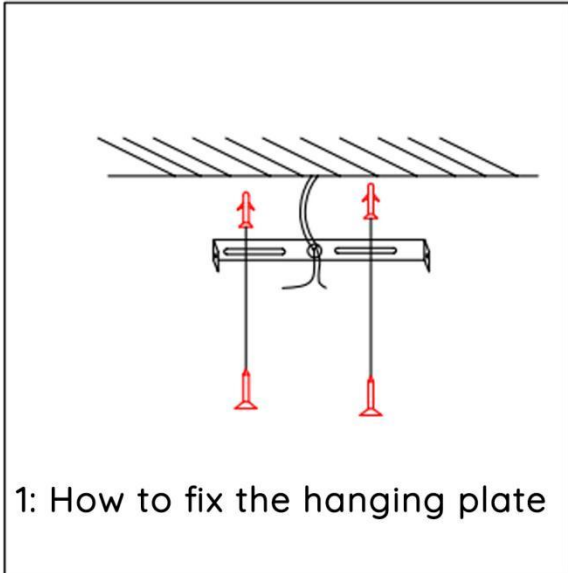


# Assembly Instructions for **Model 1308525**



## Installation method:

The light fixture is secured to the ceiling using a mounting plate and expansion screws:

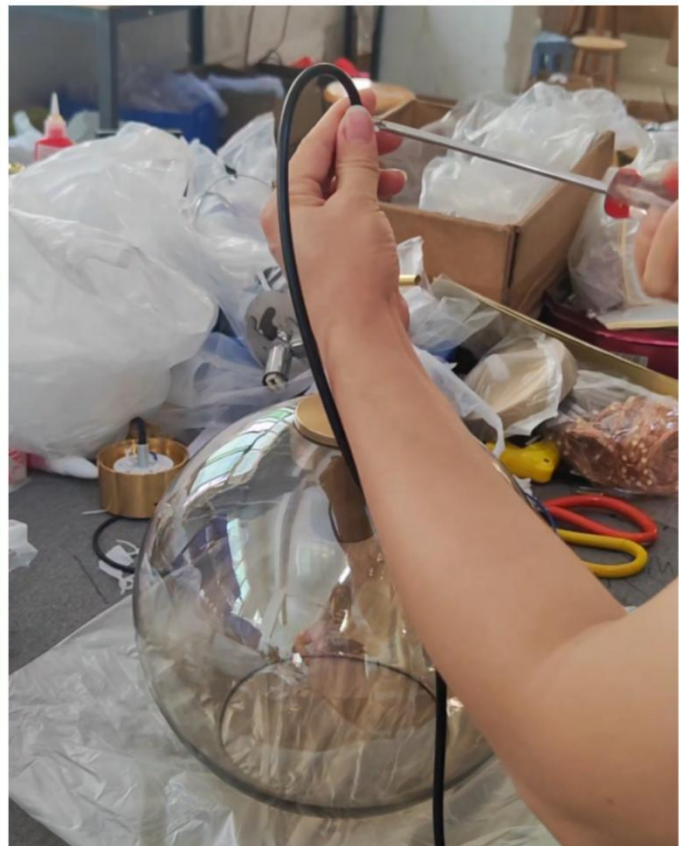


Lampshade installation:

1. Remove the lampshade top cover. Thread the power cord through the lampshade.



2. As shown in the diagram, thread the power cord through the top cover, the suspension rod, and the lampshade, then tighten and secure



Your fixture is now assembled and ready to use.



d66fba9772bd4  
a60bc1749ff1554

Video: