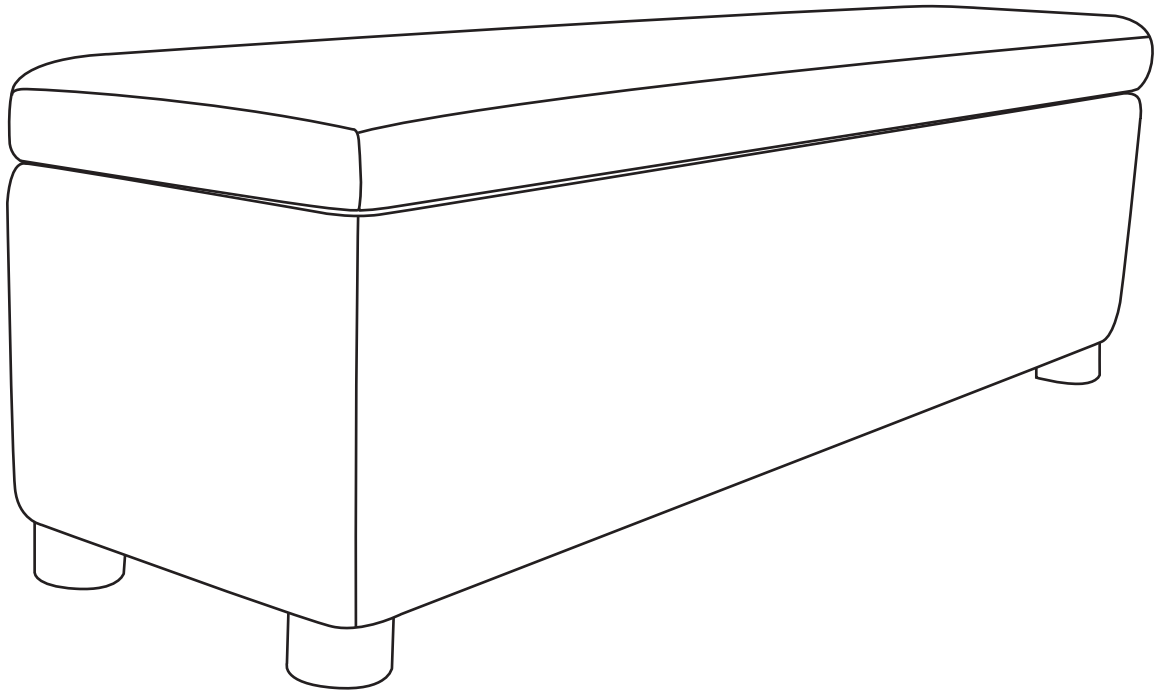


# Assembly Instruction



**Please read this manual carefully before any operation and keep it properly for future use.**

# Guide of Manual

- Thanks for your choice. We will do our best to provide customer service for everyone.
- Please check to make sure all parts are included as stated when you unpack.
- If there are parts missing or wrong, please contact us, we will expeditiously provide reissue accessories, compensation or other services.

# 1. Care and Maintenance

- Use a soft, clean cloth that will not scratch the surface when dusting.
- There's no need to use furniture polish. If you need, test it first in an inconspicuous area. Using solvents of any kind on your furniture may damage the finish. Never use water to clean your furniture as it may cause damage to the finish.
- Liquid spills should be removed immediately. Gently blot the spill with a soft clean cloth to avoid rubbing.

## 2. Further Advice about the Furniture Care

- It is best to keep your furniture in a climate-controlled environment.
- We recommend to keep furniture from sunlight exposure to avoid possible surface damage.
- Following these important and helpful tips will help retain your furniture's performance even when it ages.
- Periodically (every 90 days) make sure the screws are fully tightened.

## 3. Max Weight Capacity

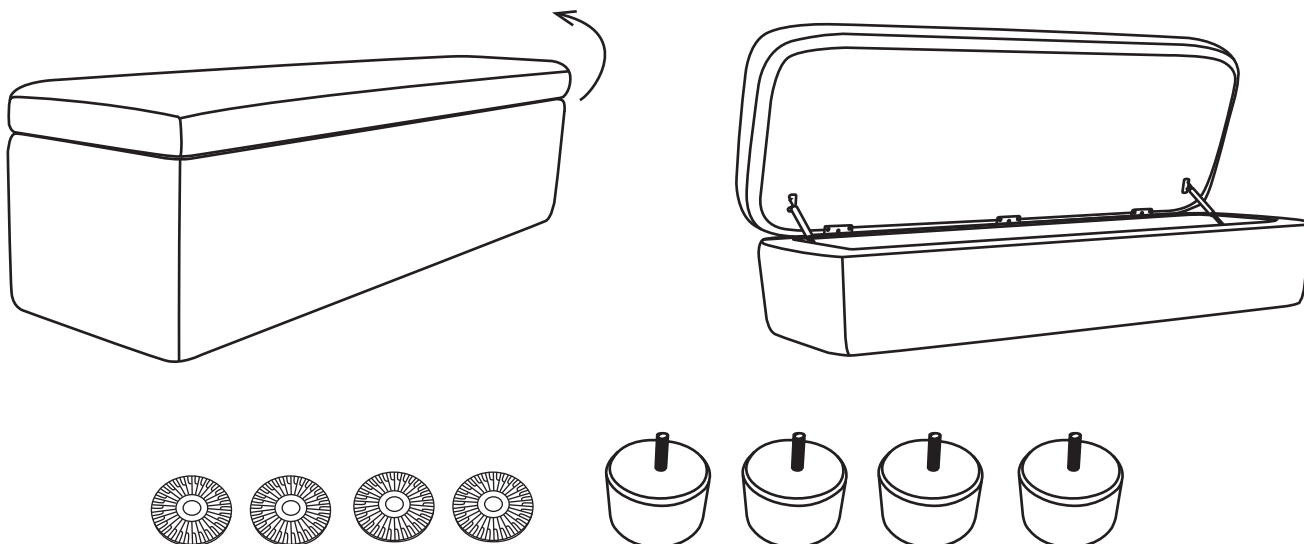
- 300lbs [Do not stand on the item]

# Assembly Instruction

## STEP 1

### Spare Parts

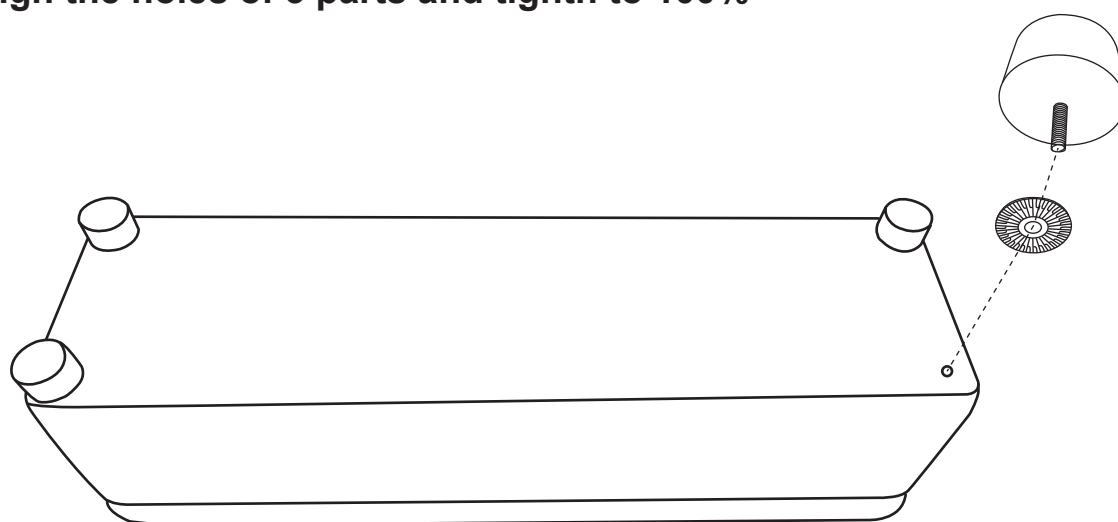
Lift up the seat cushion of the stool and take out the spare parts from inside.



## STEP 2

### Instruction

Align the holes of 3 parts and tightn to 100%



# Guide of Manual

- Thanks for your choice. We will do our best to provide customer service for everyone.
- Please check to make sure all parts are included as stated when you unpack.
- If there are parts missing or wrong, please contact us, we will expeditiously provide reissue accessories, compensation or other services.