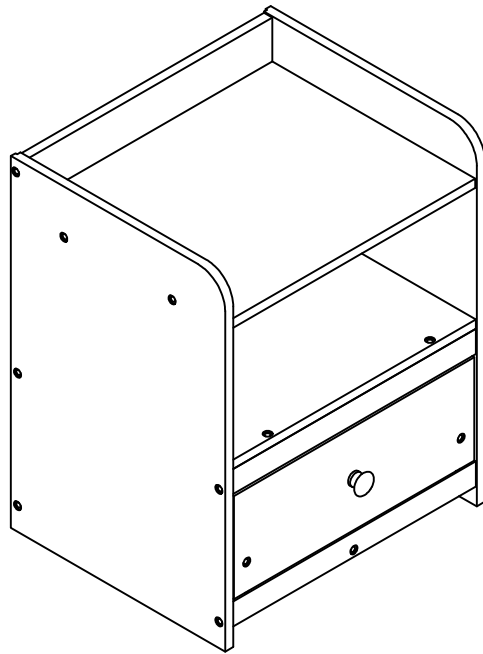


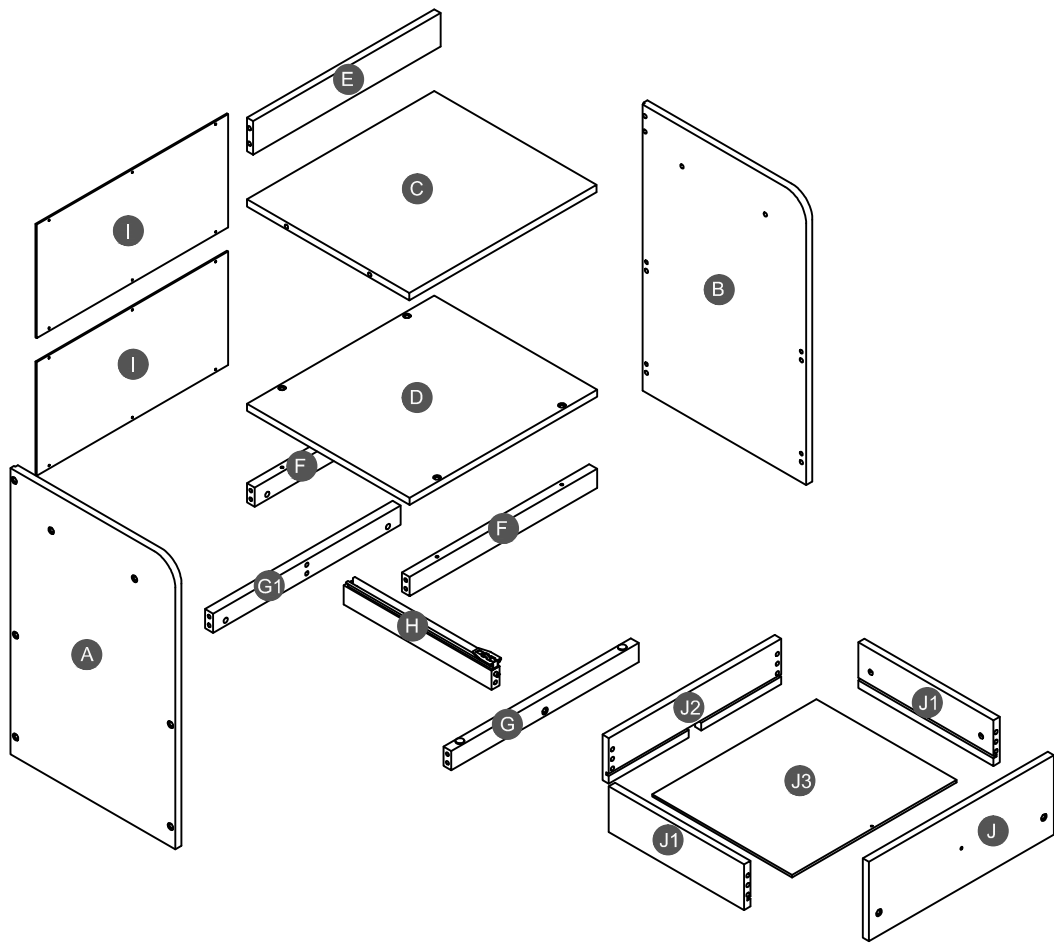
ASSEMBLY INSTRUCTIONS

NIGHTSTAND WITH DRAWER




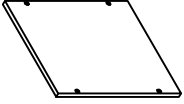
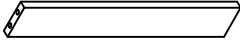
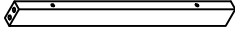
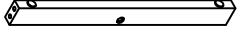
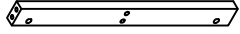

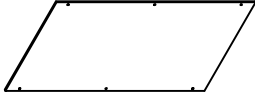
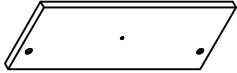
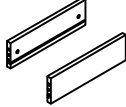

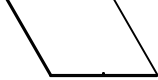


DN33743









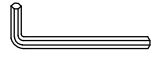

Detail View



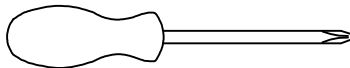
Part List

A  <p>Side panel (Left) - 1pc</p>	B  <p>Side panel (Right) - 1pc</p>	C  <p>Top panel - 1pc</p>
D  <p>Shelf panel - 1pc</p>	E  <p>Upper horizontal bar - 1pc</p>	F  <p>Divider horizontal bar - 2pcs</p>
G  <p>Lower horizontal bar (Front) - 1pc</p>	G1  <p>Lower horizontal bar (Back) - 1pc</p>	H  <p>Support drawer - 1pc</p>
I  <p>Back panel - 2pcs</p>	J  <p>Drawer front - 1pc</p>	J1  <p>Drawer (left/right) - 2pcs</p>
J2  <p>Drawer back - 1pc</p>	J3  <p>Drawer bottom - 1pc</p>	

Hardware List

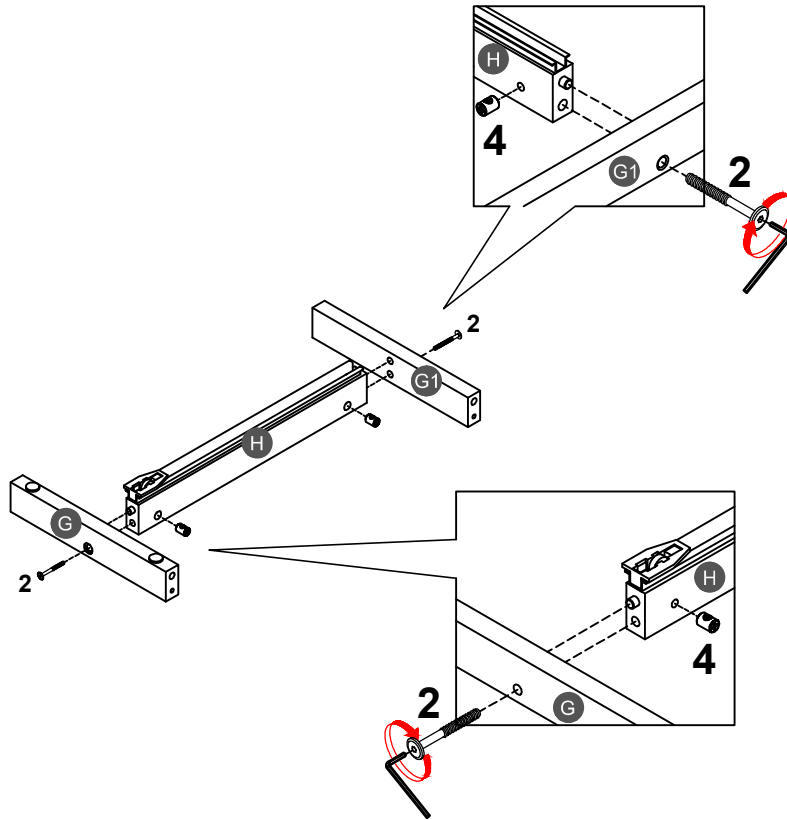
1  Ø8*30mm Wood dowel (18pcs)	2  (Ø15)1/4"*60mm Hex-Head bolts (20pcs)	3  (Ø12)1/4"*40mm Hex-Head bolts (4pcs)
4  1/4"*15 (9.5mm) Horizontal-Hole bolts(20pcs)	5  Ø38*31mm Pine Knob (1pc)	6  3/16"*30mm Ph zinc(Knob) (1pc)
7  340*30mm Upper slider drawer (1pc)	8  Ø3.5*15mm Wood screws (3pcs)	9  (1/4")4.5*58mm Allen key (1pc)
10  Ø3.5*15mm Wood screws (12pcs)		



ASSEMBLY TOOLS REQUIRED (NOT INCLUDED)



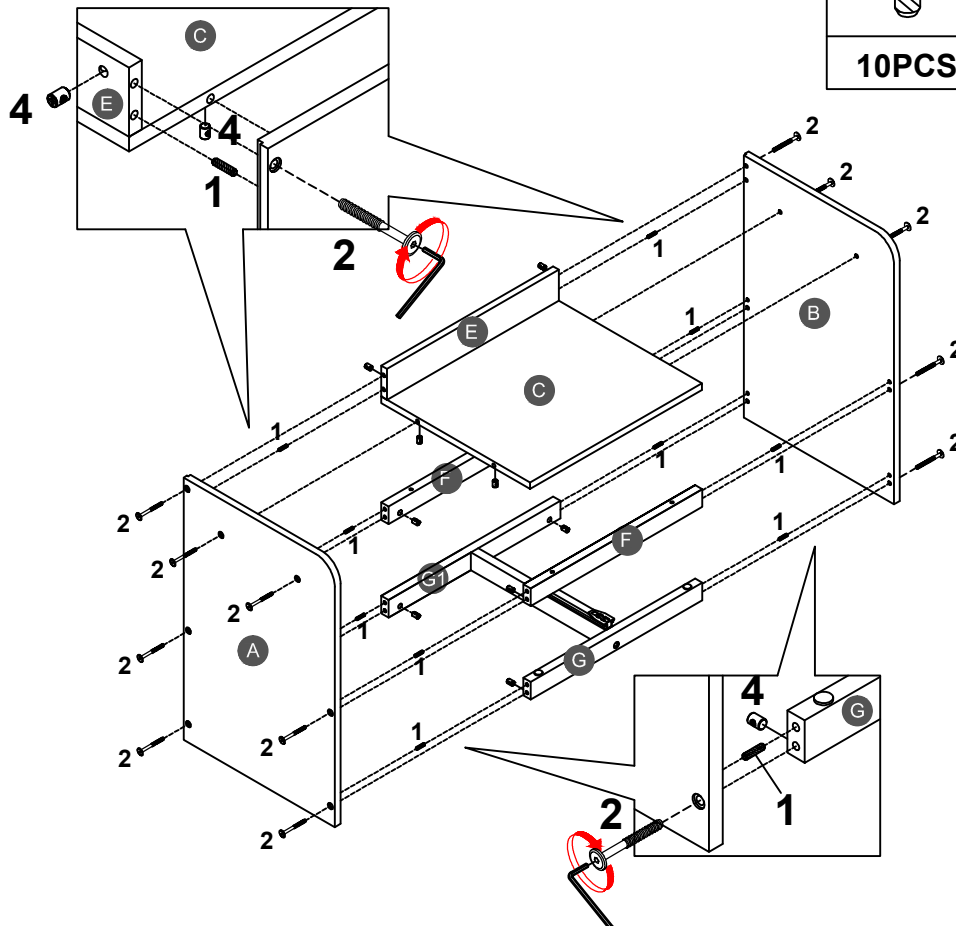
PLEASE BE CAREFUL DO NOT DAMAGE THE HOLE POSITION WHEN YOU USE POWER TOOLS !




STEP 1:



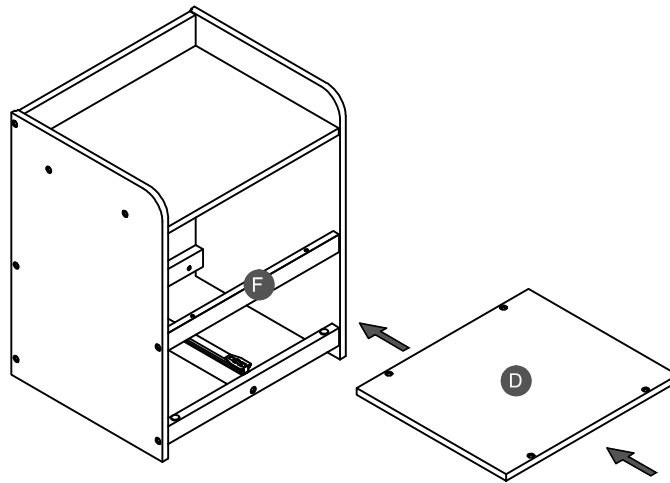
2		4	
2PCS		2PCS	

STEP 2:

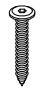


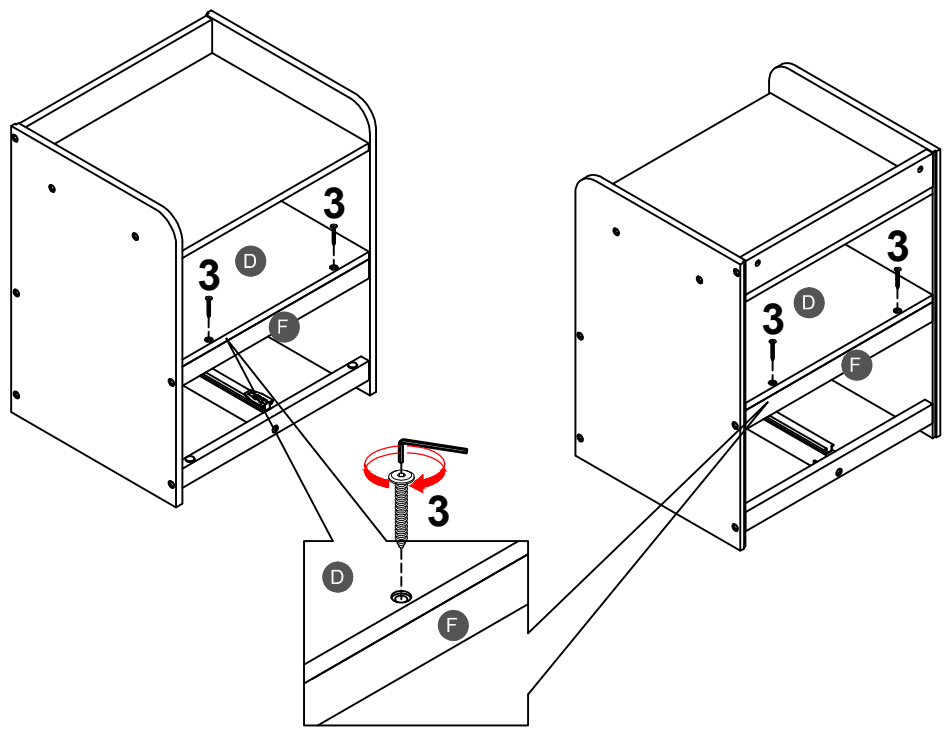
1		2		4	
10PCS		14PCS		14PCS	

STEP 3:




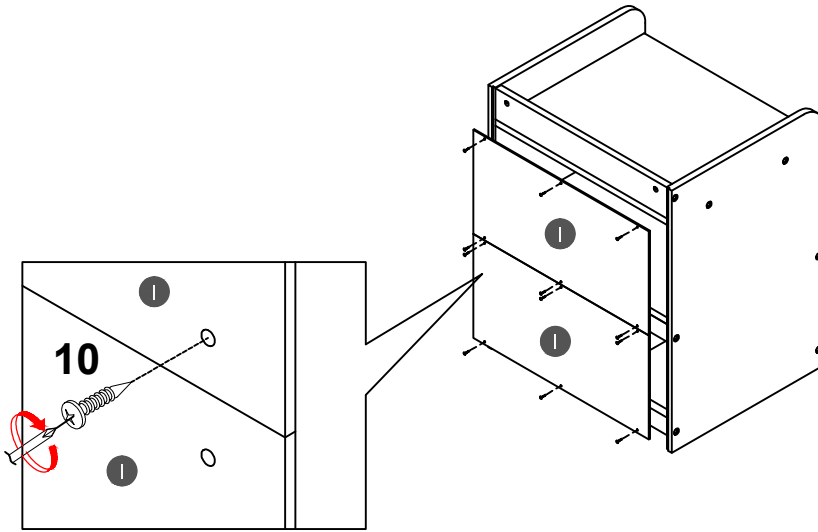
STEP 4:

3	
4PCS	






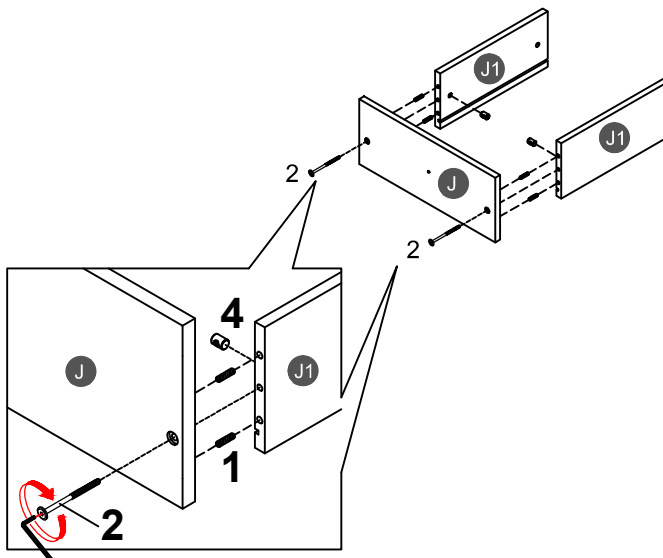
STEP 5:

10	
12PCS	

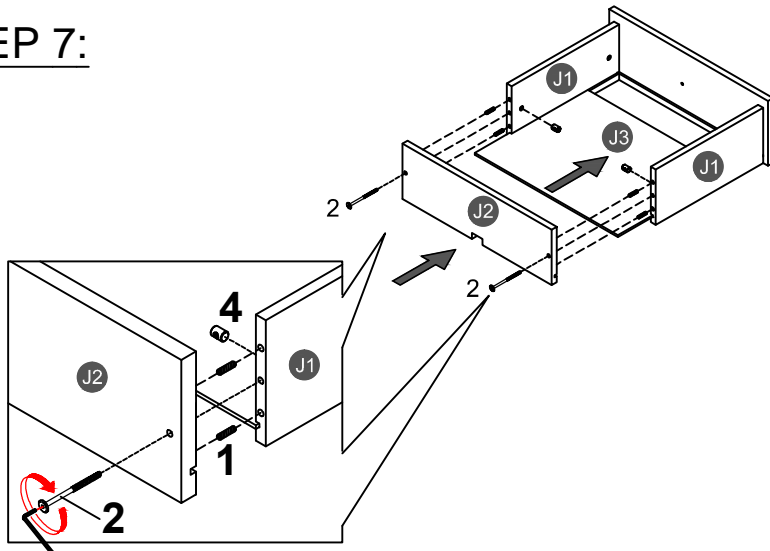


STEP 6:

1		2	
4PCS		2PCS	
		4	
		2PCS	

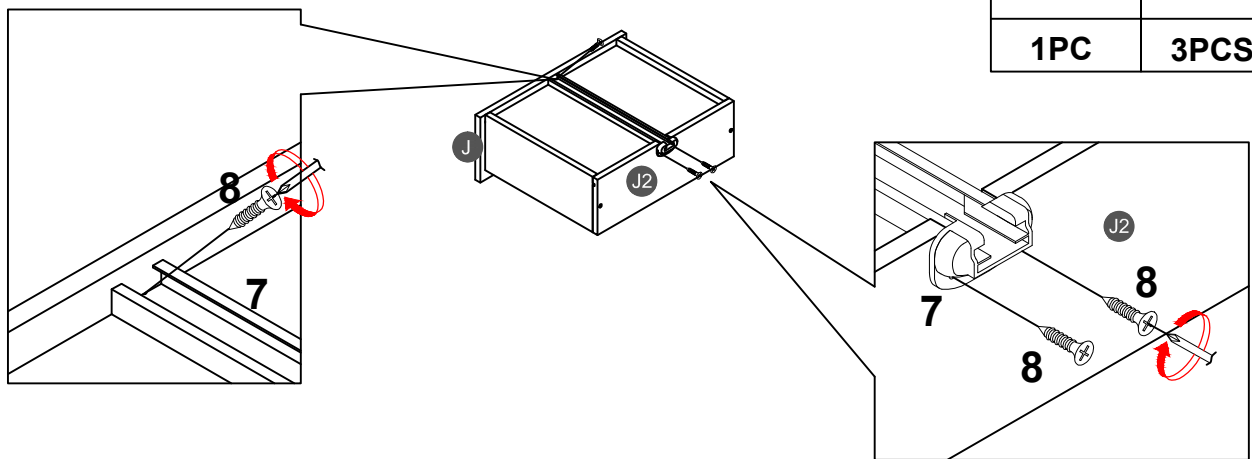


STEP 7:



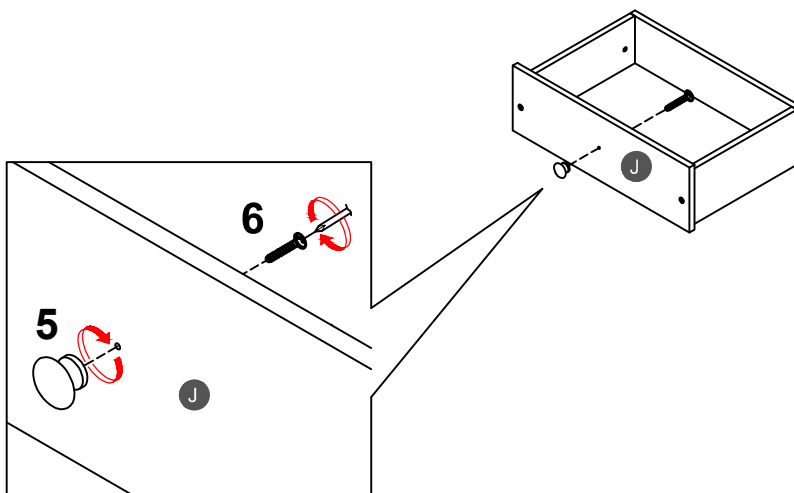
1		2	
4PCS		2PCS	
		4	
		2PCS	

STEP 8:



7		8	
1PC		3PCS	

STEP 9:



5		6	
3PCS		3PCS	

STEP 10:

