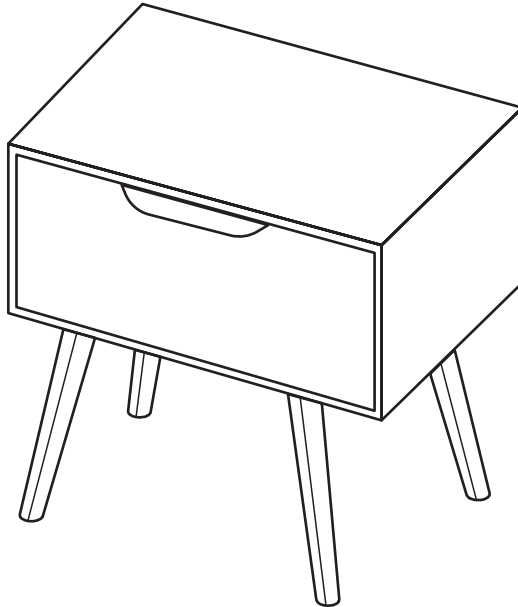


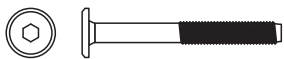
SCANDINAVIAN NIGHTSTAND

Assembly Instructions

Before assembling your Nightstand, please read through these instructions carefully. Familiarize yourself with the different parts.



A Flat washer - 4 pcs

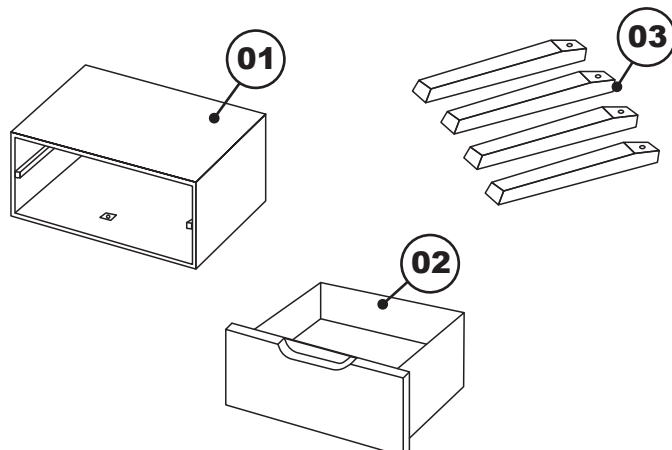


B JCB M8 Bolt - 4 pcs

C Allen wrench - 1 pc

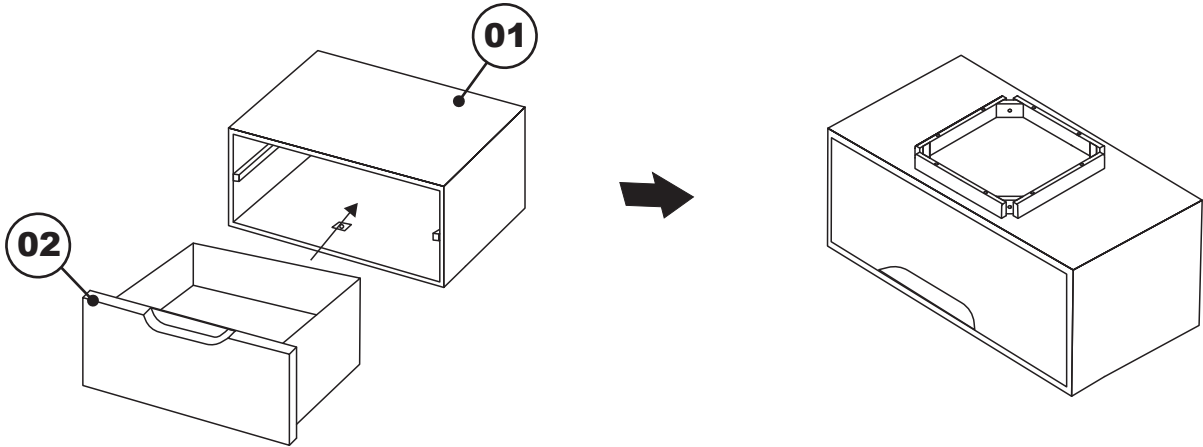
PARTS LIST

- | | | |
|-----------|-----------------------|--------------|
| 01 | NIGHTSTAND TOP | 1 PC |
| 02 | DRAWER | 1 PC |
| 03 | LEGS | 4 PCS |



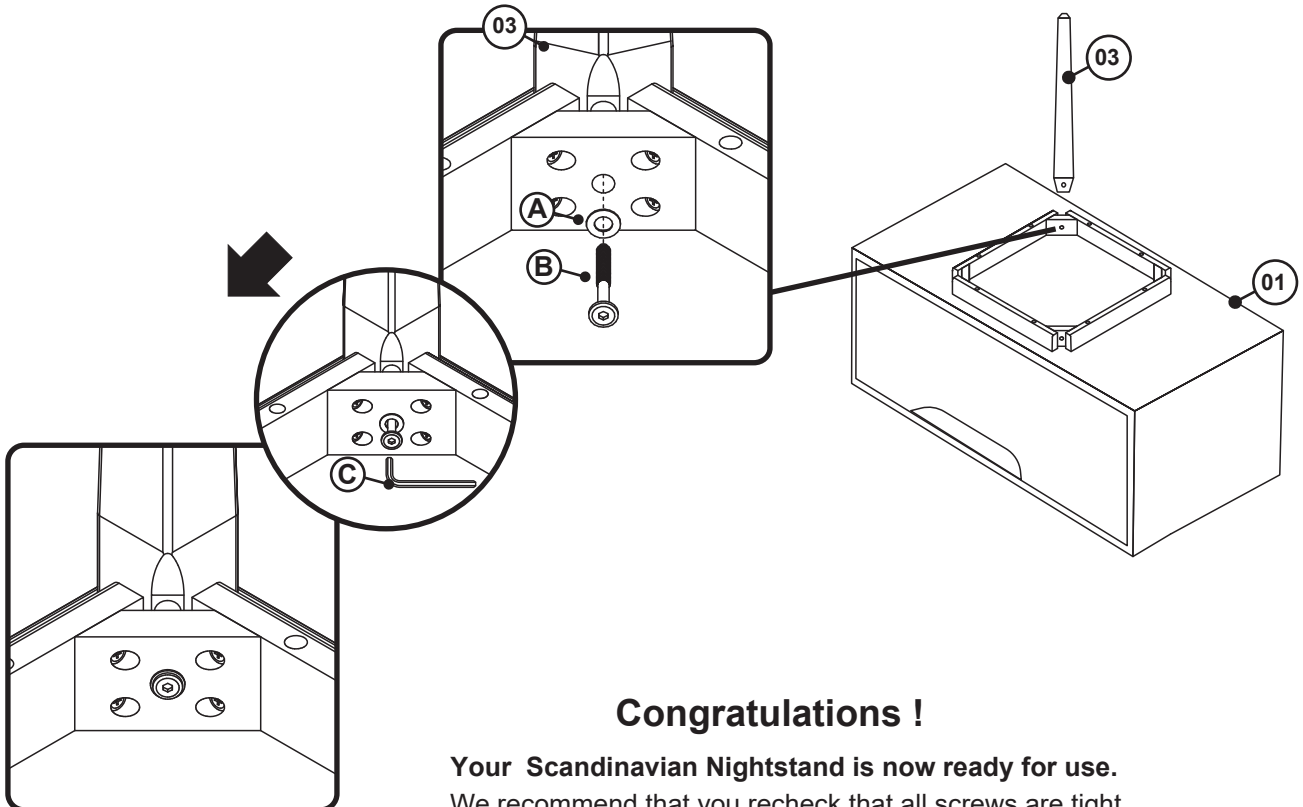
STEP 1

Insert drawer (02) into the nightstand top (01) as shown below. Then flip the entire unit upside down.



STEP 3

Attach the legs (03) to the nightstand top (01) as shown below using flat washers (A) and JCB M8 Bolt (B); tighten with Allen wrench (C). Repeat for the other 3 legs.



Congratulations !

Your Scandinavian Nightstand is now ready for use.

We recommend that you recheck that all screws are tight,
and that all parts are secure before use and periodically to ensure lasting Safety.