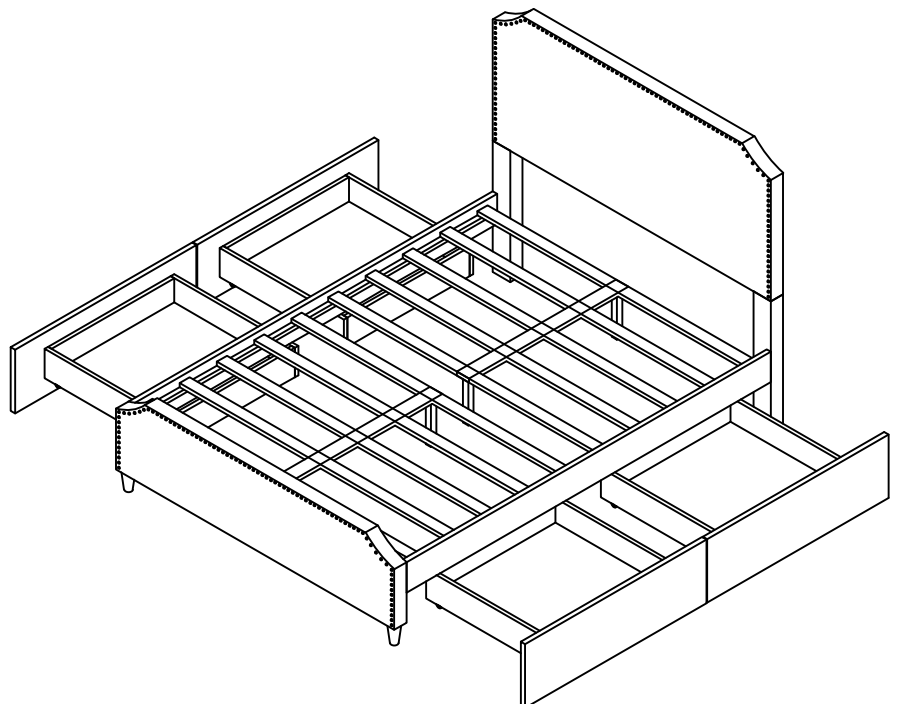
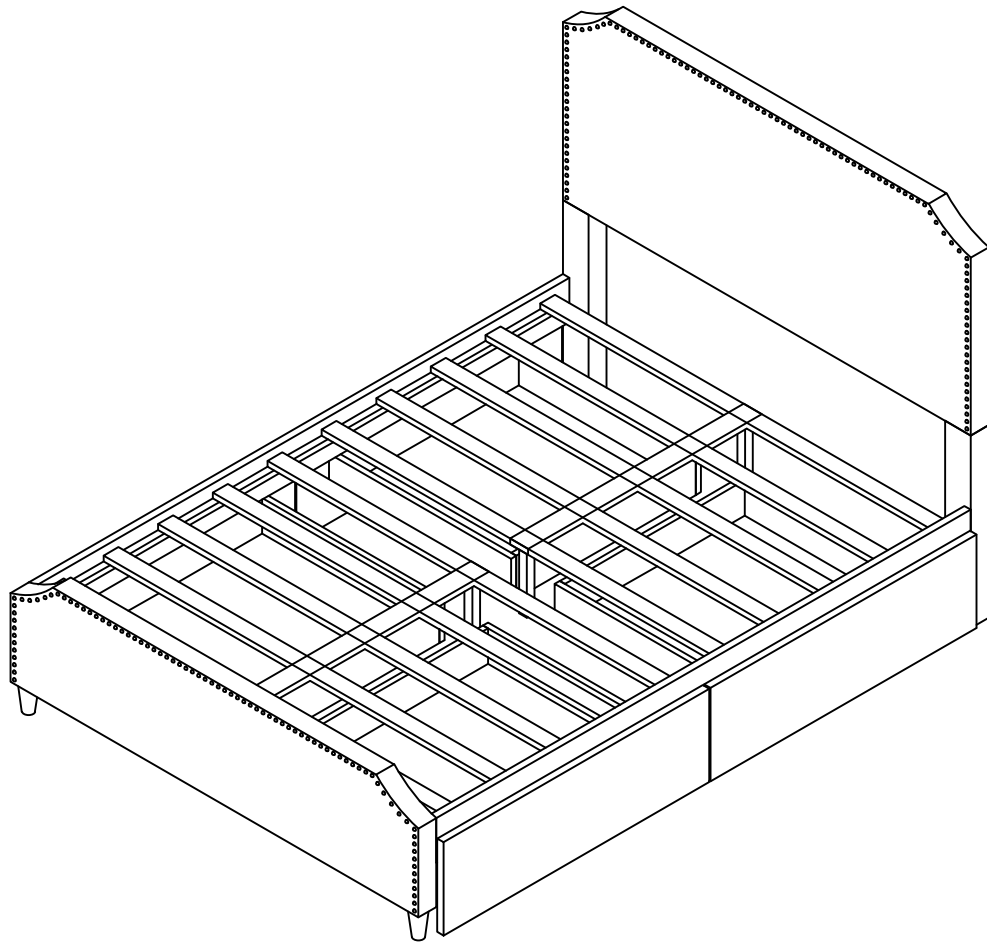
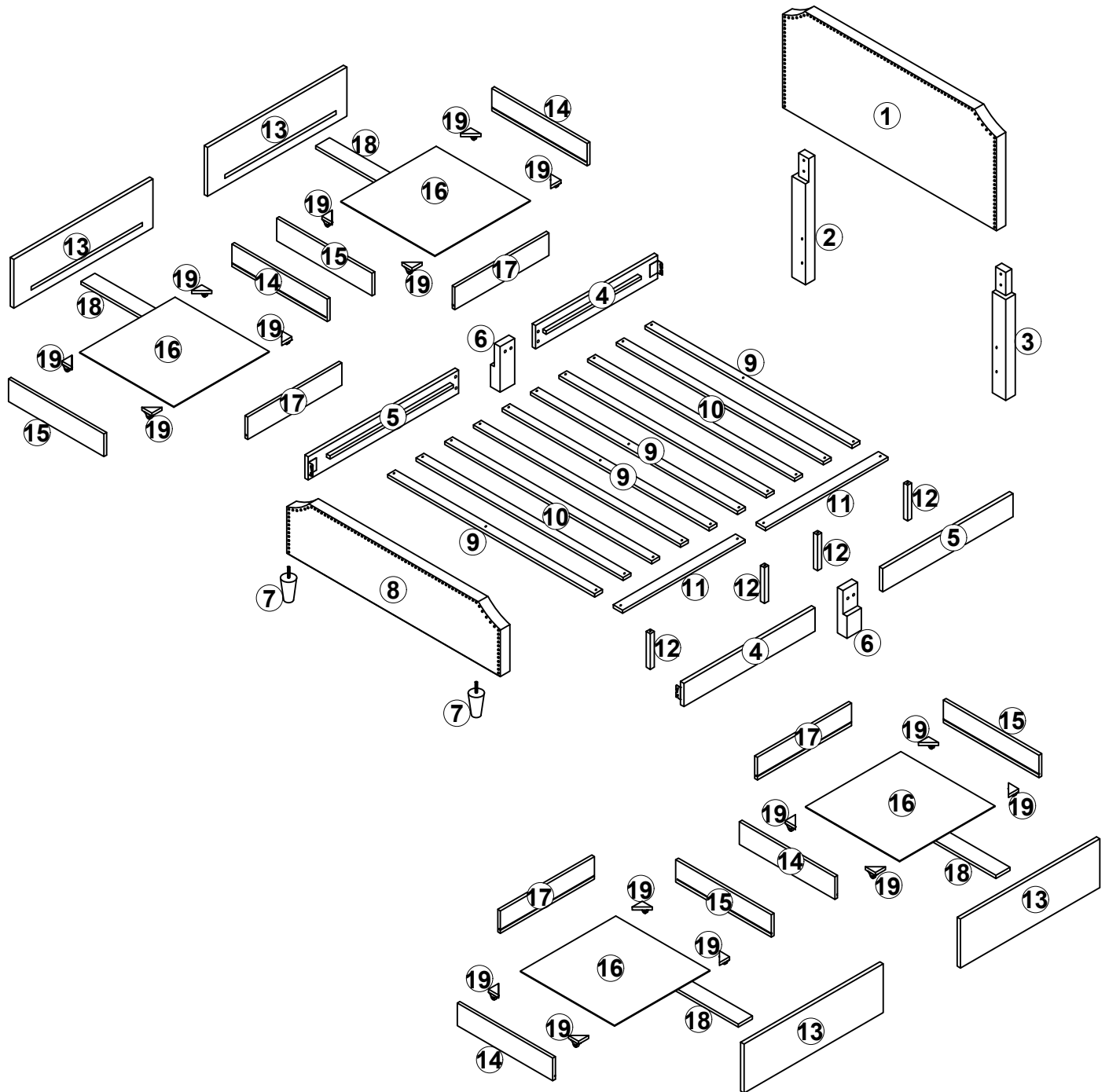


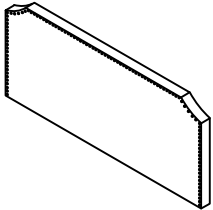

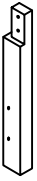


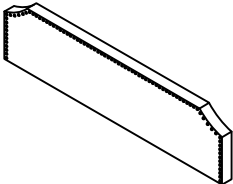
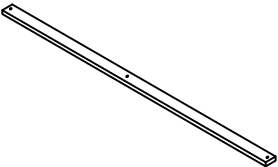
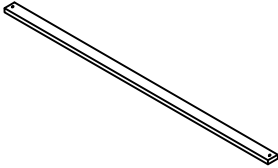
ASSEMBLY INSTRUCTION



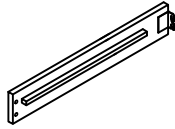
Detail View - QUEEN BED WITH 4 DRAWERS



Identifying the Hardware - Identify the hardware using the illustrations below.

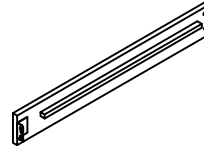
1		Headboard-1pc
2		Headboard left leg -1pc
3		Headboard right leg-1pc
6		Side rail support leg - 2pcs
7		Footboard leg -2pcs
8		Footboard - 1pc
9		Bed slat 1 - 4pcs
10		Bed slat 2 -6pcs

4



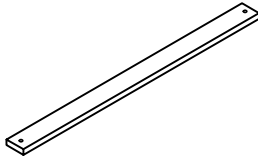
Side rail 1 - 2pcs

5



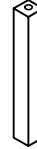
Side rail 2 - 2pcs

11



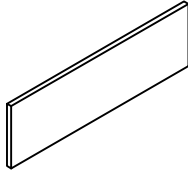
Center support bar - 2pcs

12



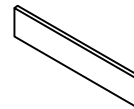
Center support leg - 4pcs

13



Drawer front - 4pcs

14



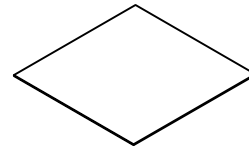
Drawer side left - 4pcs

15



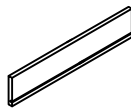
Drawer side right - 4pcs

16



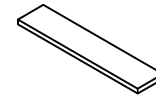
Drawer bottom - 4pcs

17



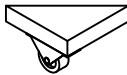
Drawer back - 4pcs

18


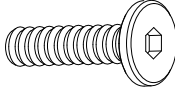
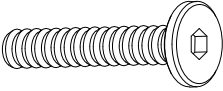


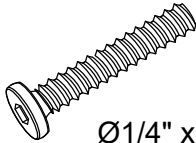
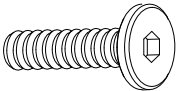
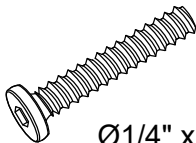
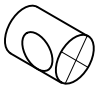



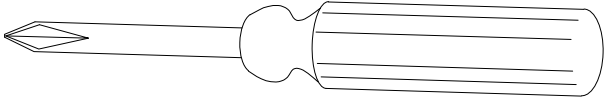


Drawer bottom support bar - 4pcs

19



Corner block - 16pcs

A  4mm Allen key (1pc)	B  Ø5/16" x 20mm Hex-head bolt (8pcs)
C  Ø5/16" x 50mm Hex-head bolt (4pcs)	D  Ø5/16" Spring washer (12pcs)
E  Ø5/16" Flat washer(12pcs)	F  Ø1/4" x 45mm Hex-head bolt (4pcs)
G  Ø1/4" x 30mm Hex-head bolt (4pcs)	H  Ø1/4" x 50mm Hex-head bolt (16pcs)
I  Ø1/4" Barrel nut (16pcs)	J  Ø1/4" Spring washer (24pcs)
K  Ø1/4" Flat washer(24pcs)	L  Ø4 x 30mm Wood screw (68pcs)
	
ASSEMBLY TOOLS REQUIRED (NOT INCLUDED)	



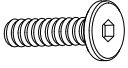
Read this instruction carefully. See hardware and furniture part list for guidance. Be sure all parts are complete, before you assemble. Place all wooden furniture parts on a clean and flat soft surface to prevent from being scratched. Follow the figure to start assembling.

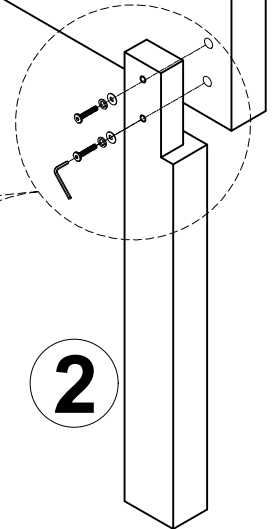
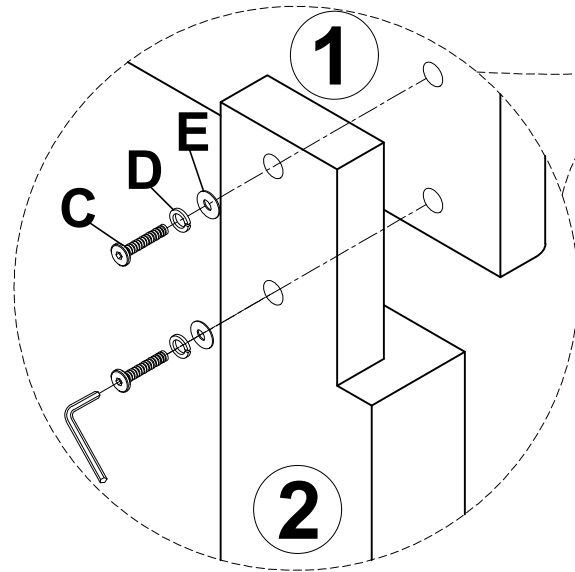
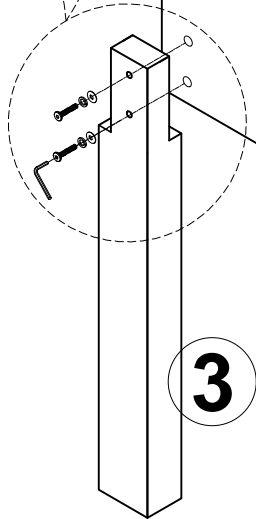
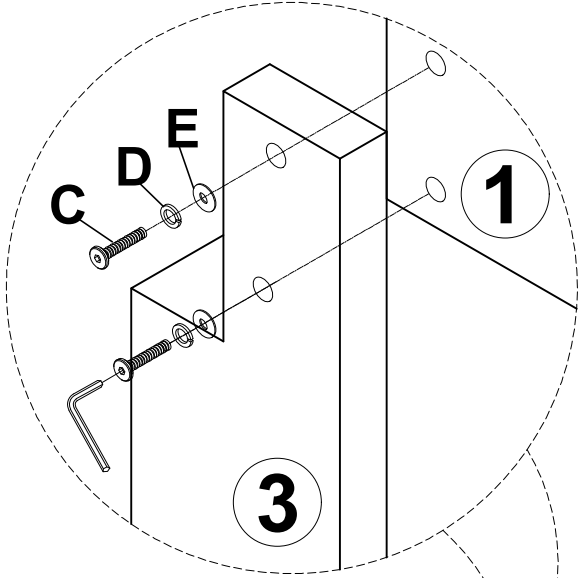
CAUTIONS :

1. Do not FULLY - TIGHTEN the nut or nut bolt until all nut or bolt is ready assembled.
2. Do not OVER - TIGHTEN the nut or bolt to avoid causing damages to the thread.
3. Keep all hardware parts out of reach of children.

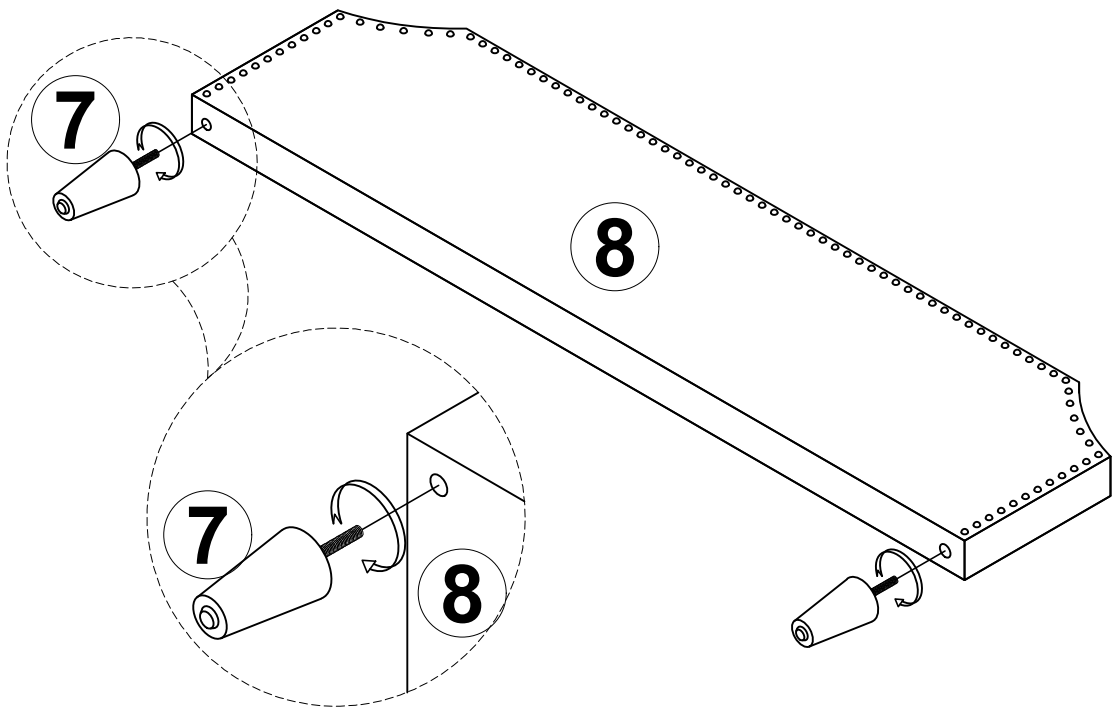
NOTE : THE LIST AND QUANTITY SHOWN ARE FOR 1 UNIT ASSEMBLY.

STEP 1



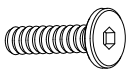
E		D		C	
4PCS		4PCS		4PCS	

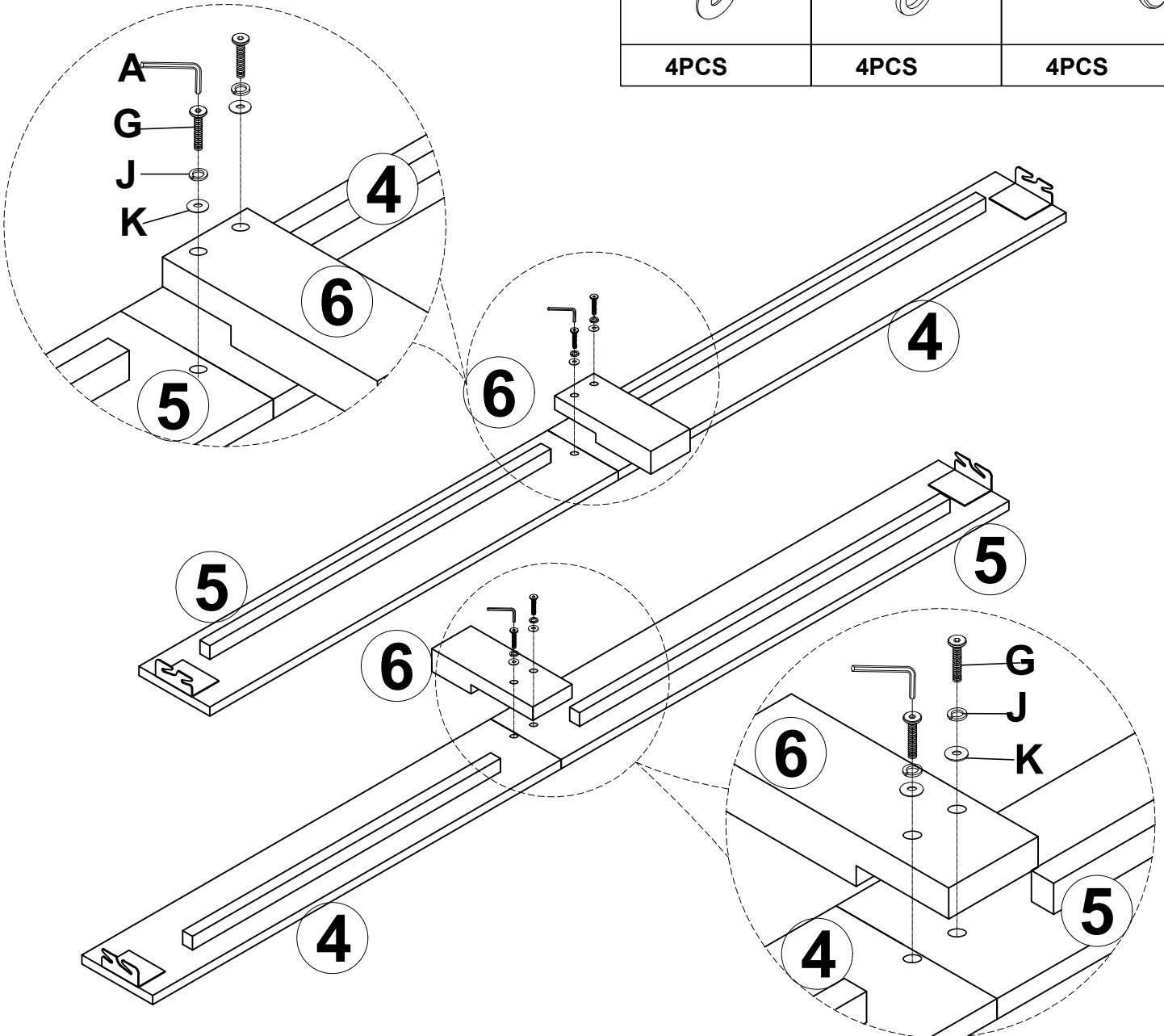


STEP 2



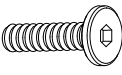


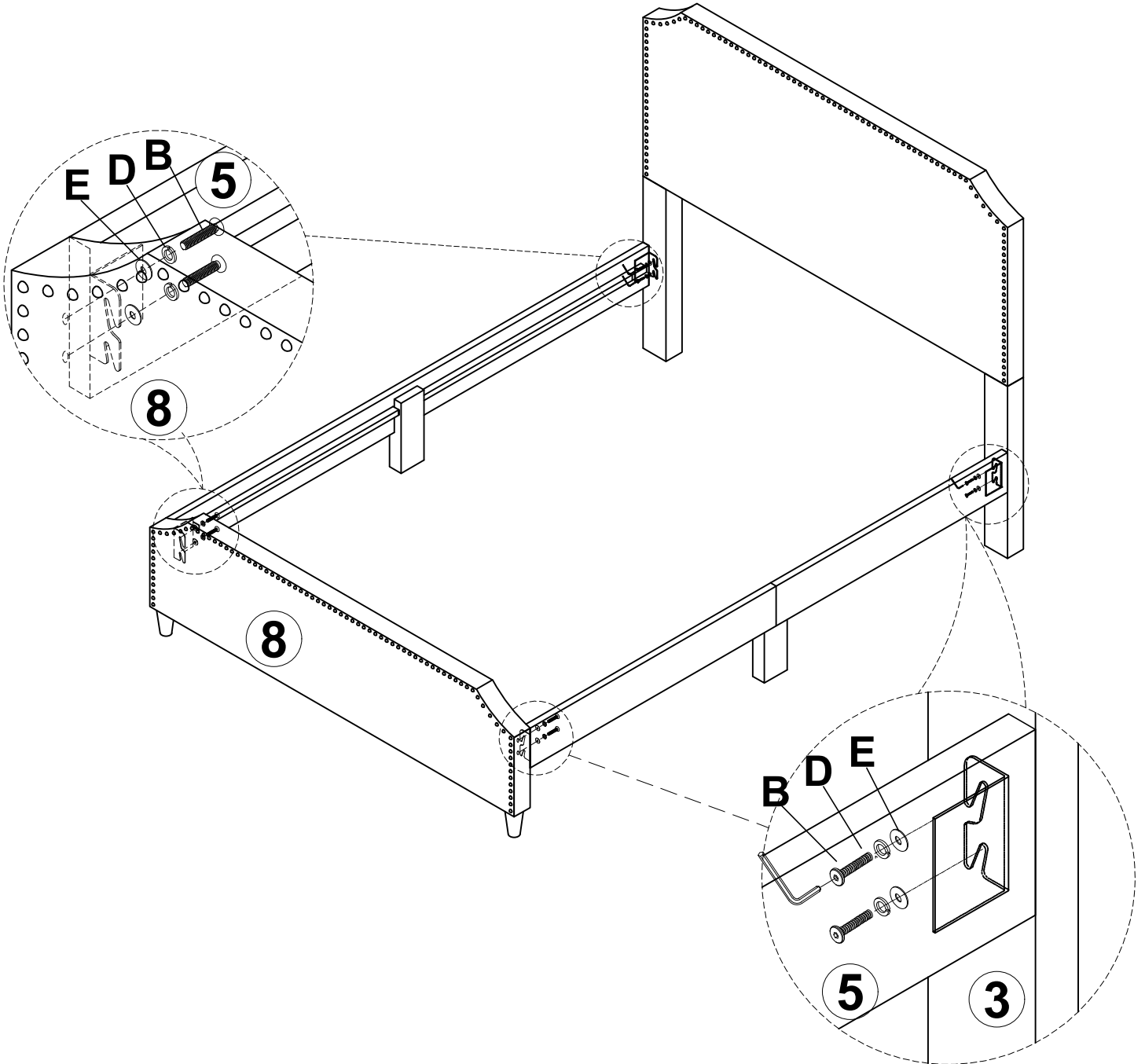
STEP 3

K		J		G	
4PCS		4PCS		4PCS	



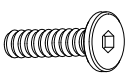


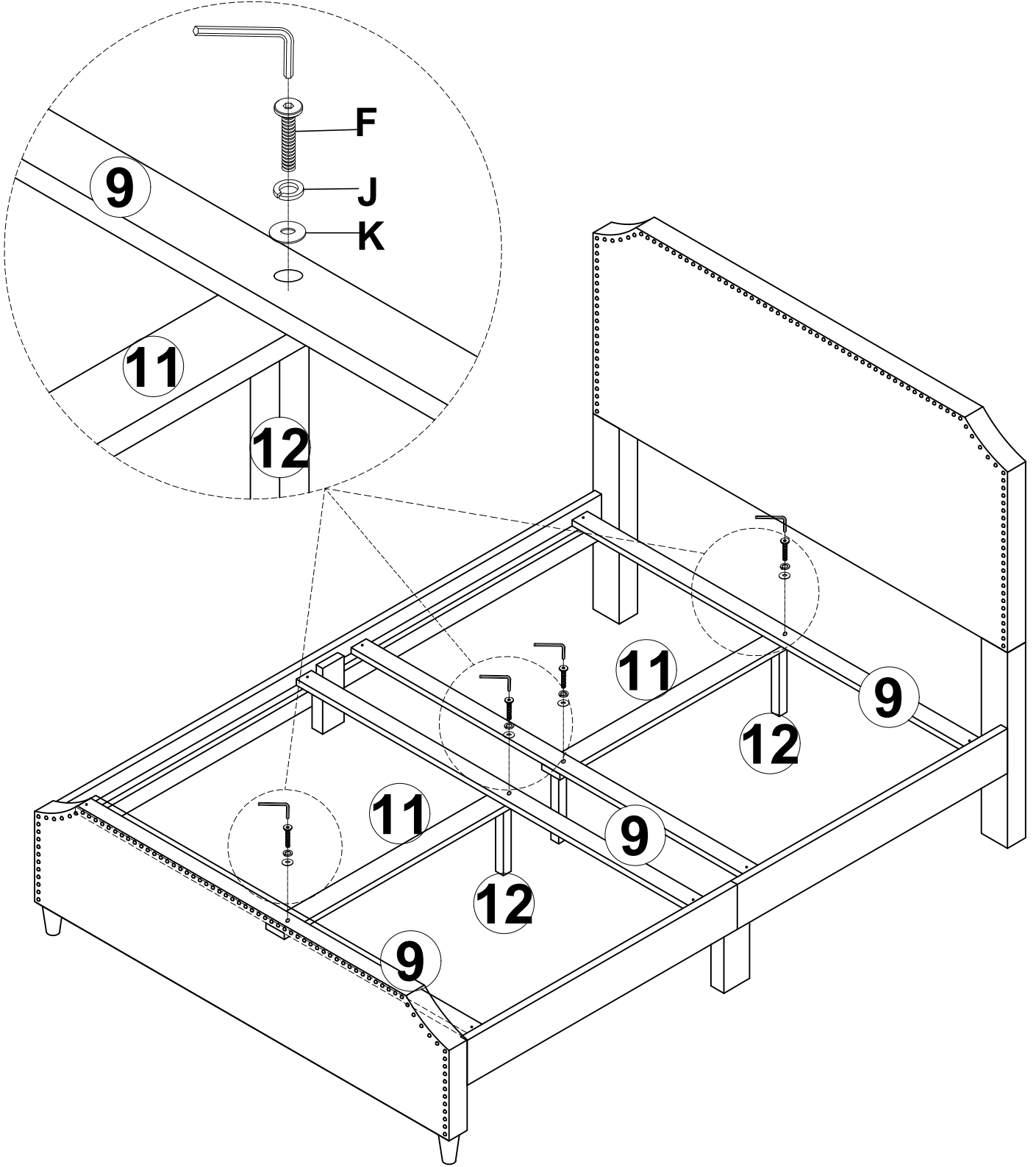
STEP 4

E 	D 	B 
8PCS	8PCS	8PCS



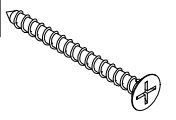
STEP 5

K 	J 	F 
4PCS	4PCS	4PCS

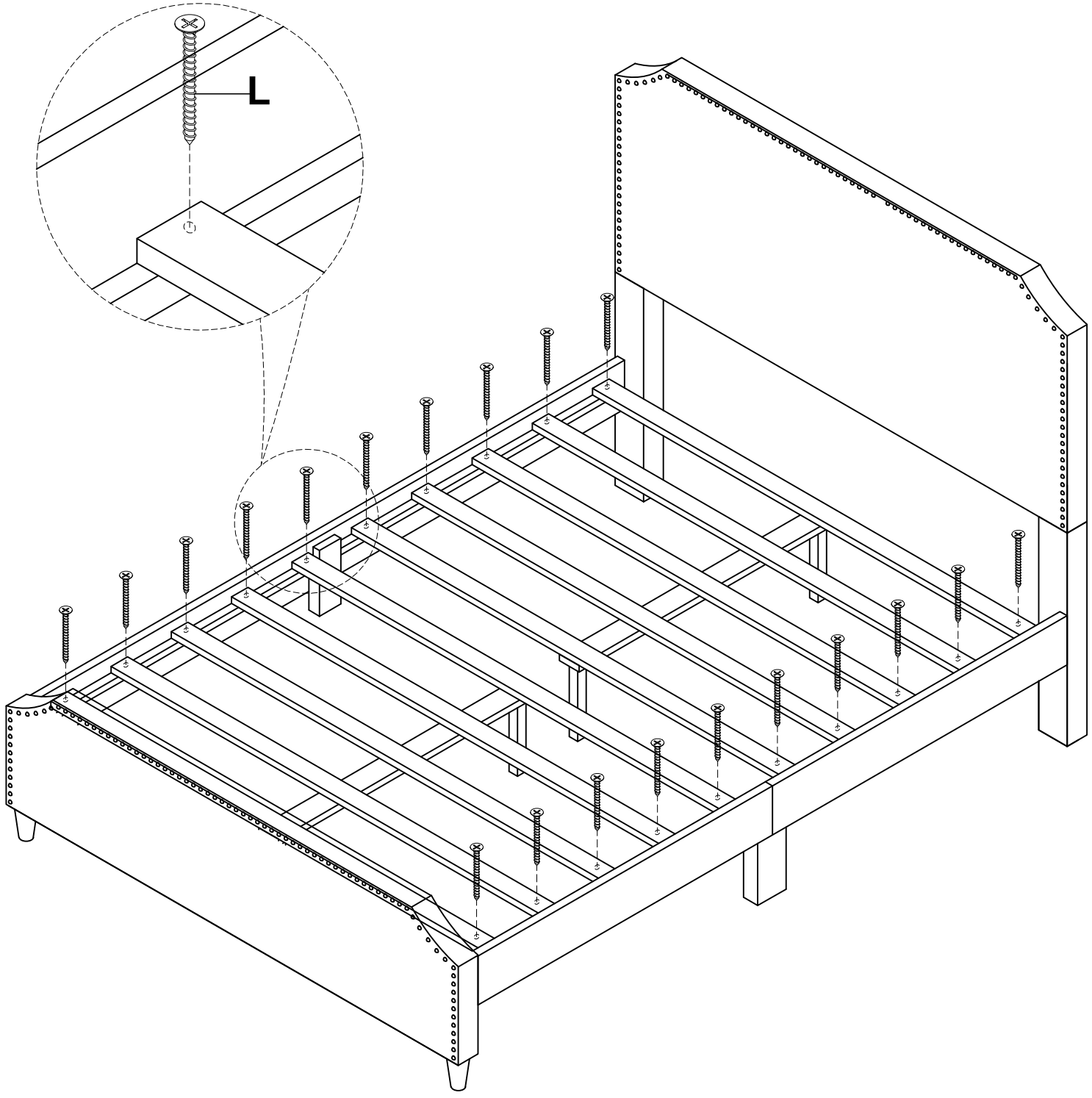


STEP 6

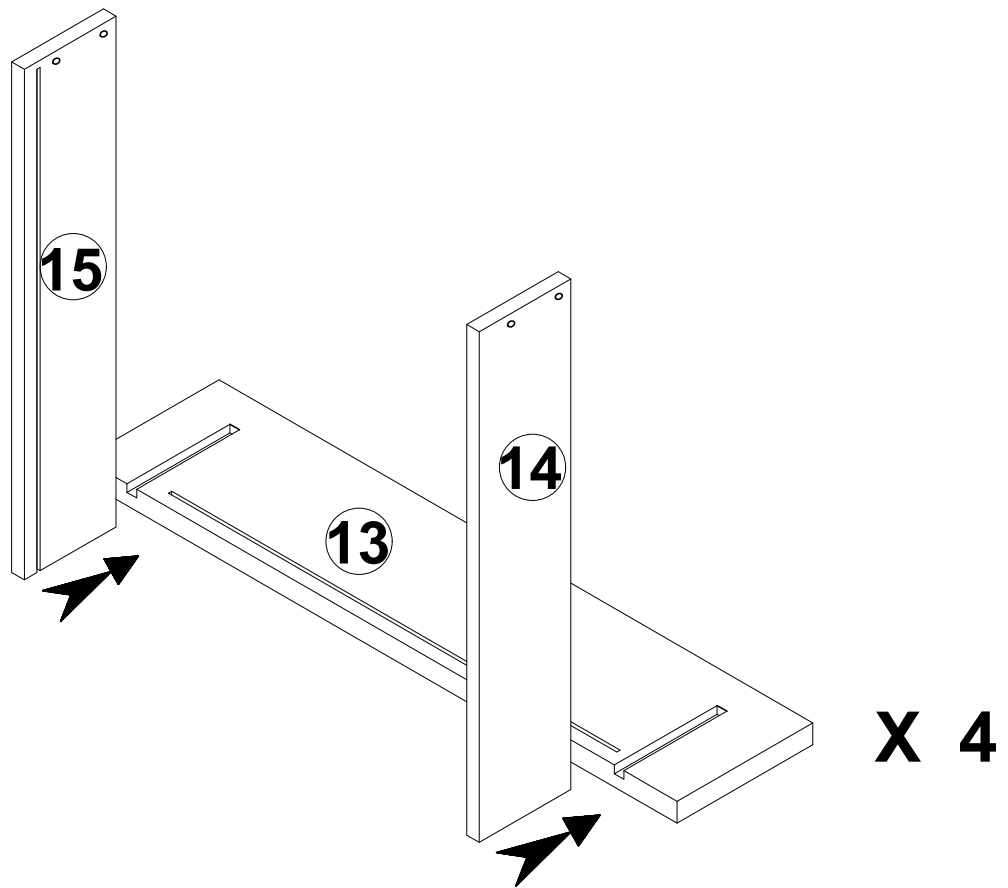
L



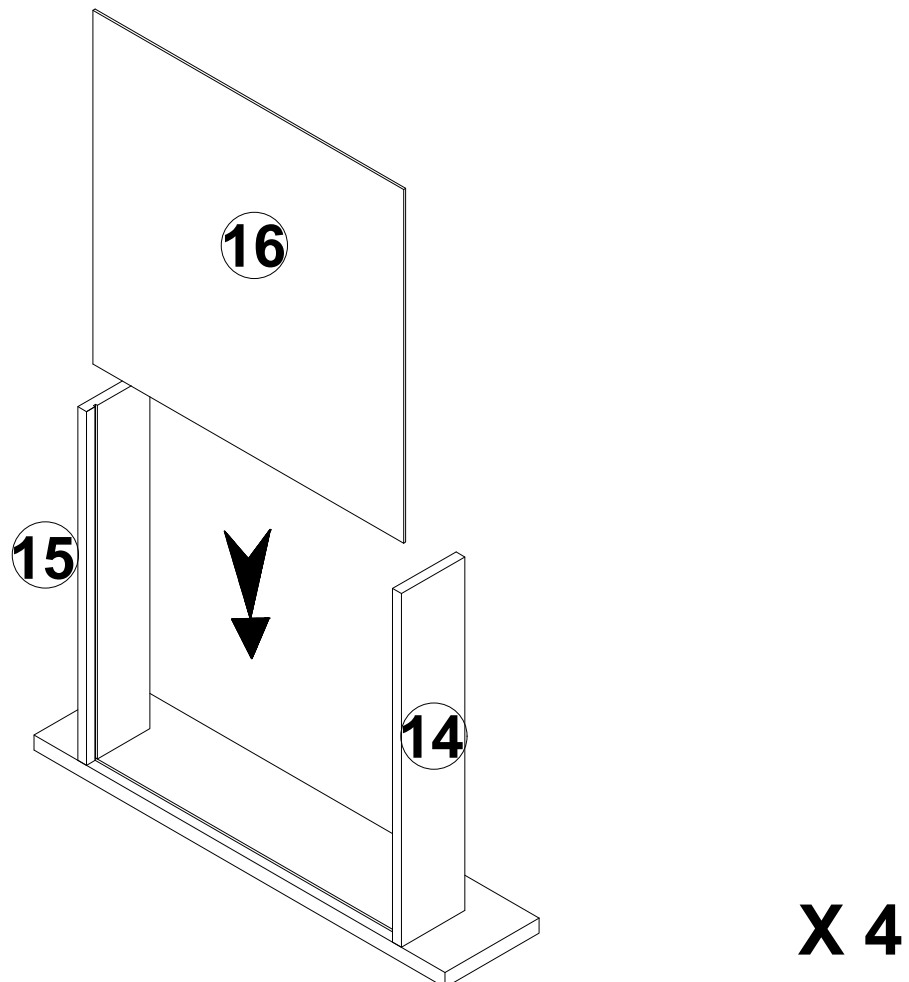
20PCS




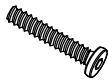
STEP 7

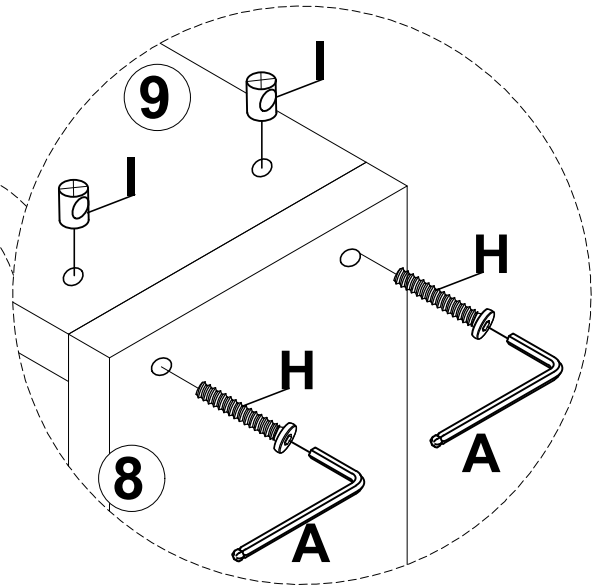
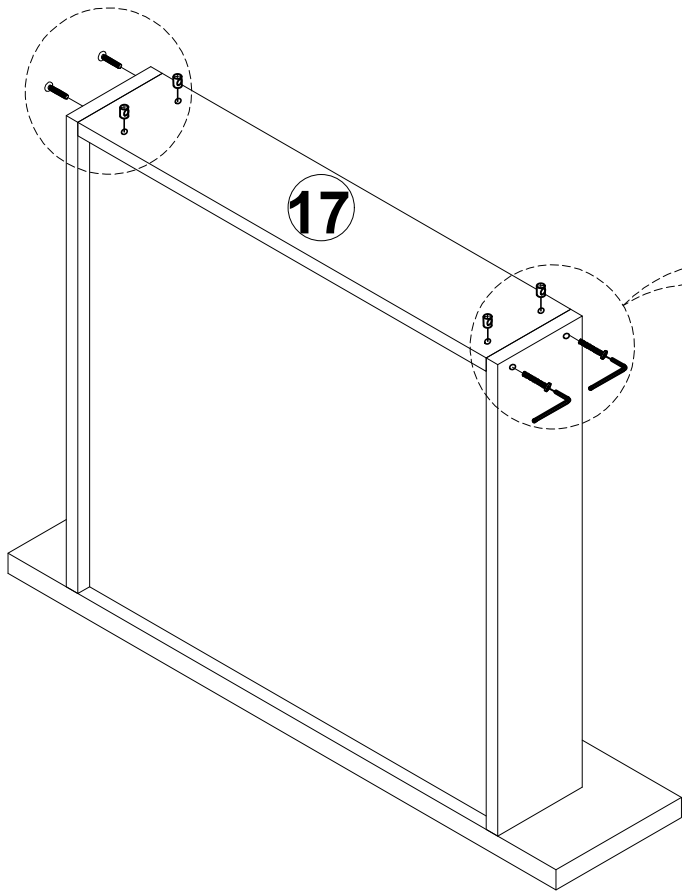


STEP 8



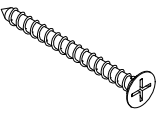
STEP 9

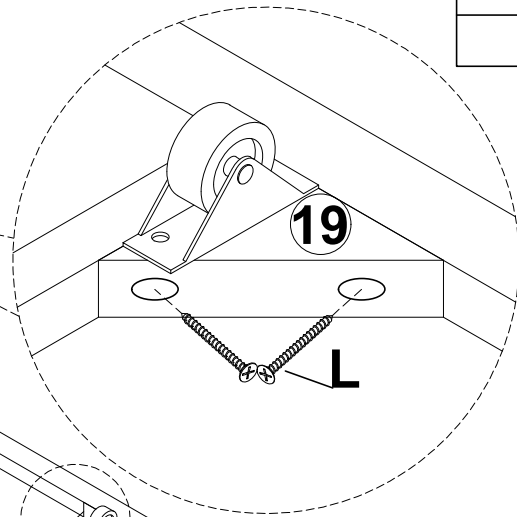
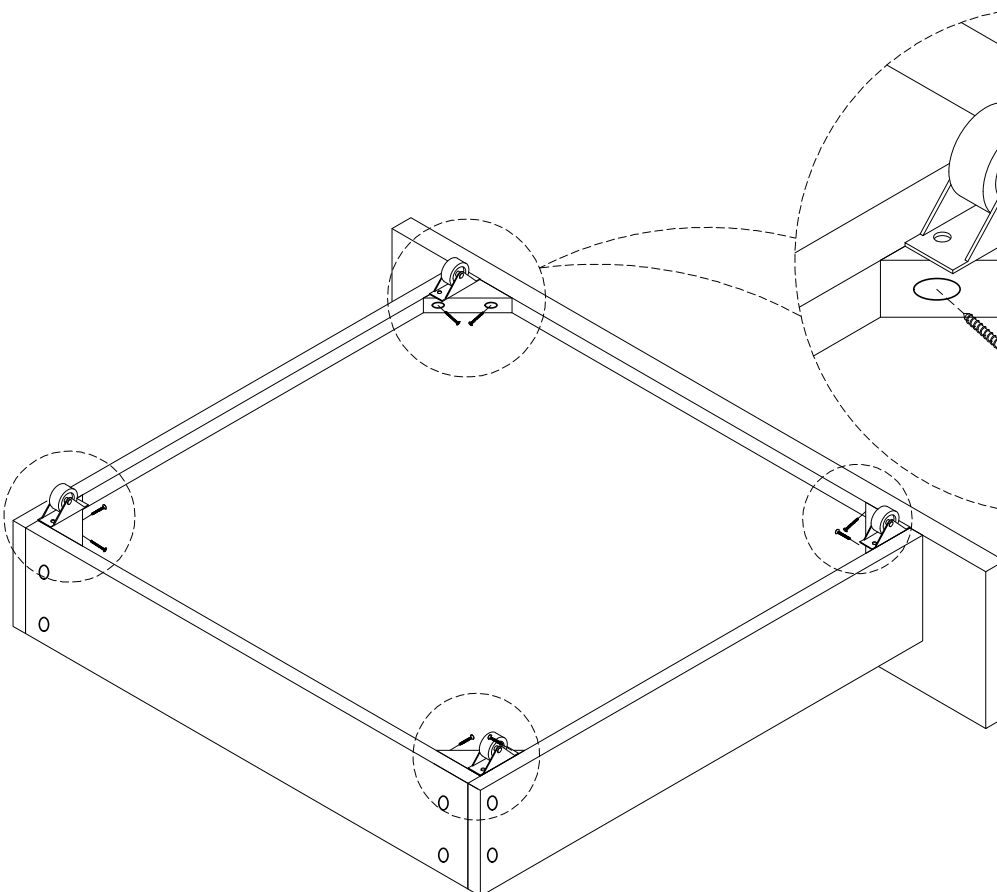
I		H	
16PCS		16PCS	



X 4

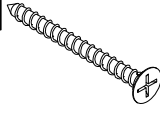
STEP 10

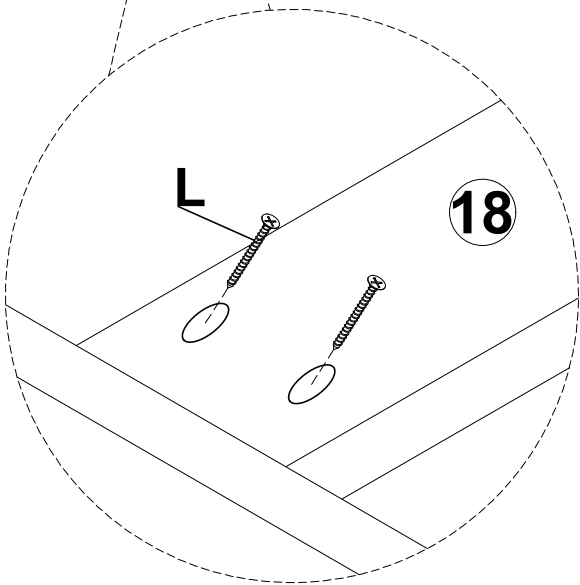
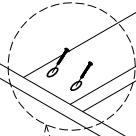
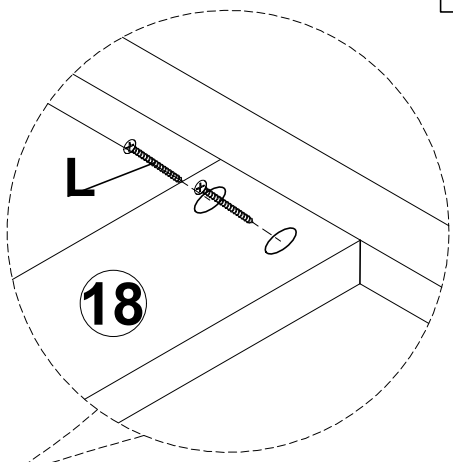
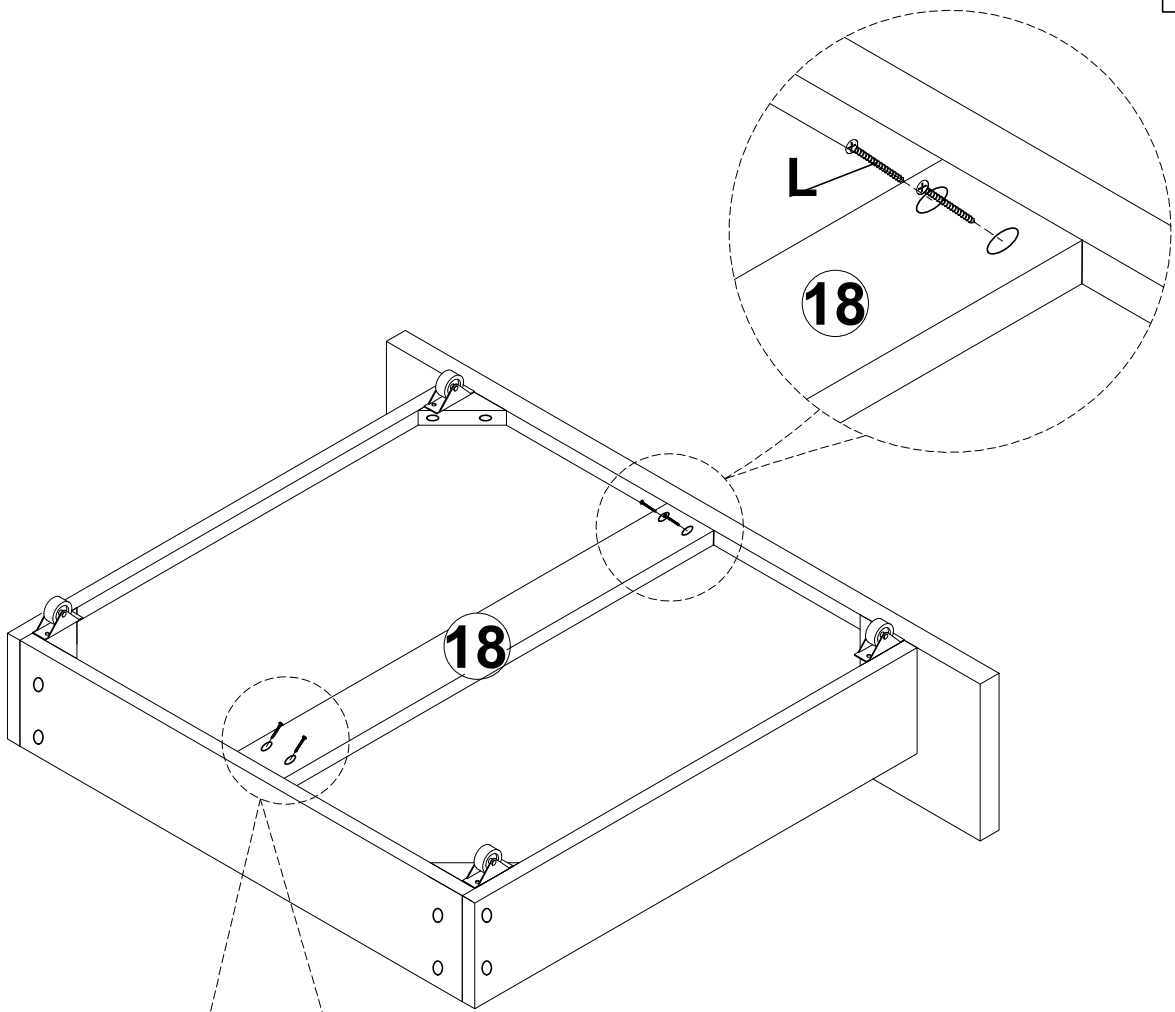
L	
32PCS	



X 4

STEP 11

L	
16PCS	



X 4

STEP 12

