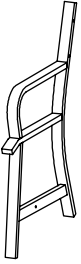




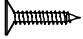





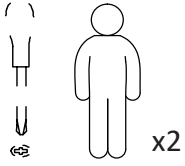
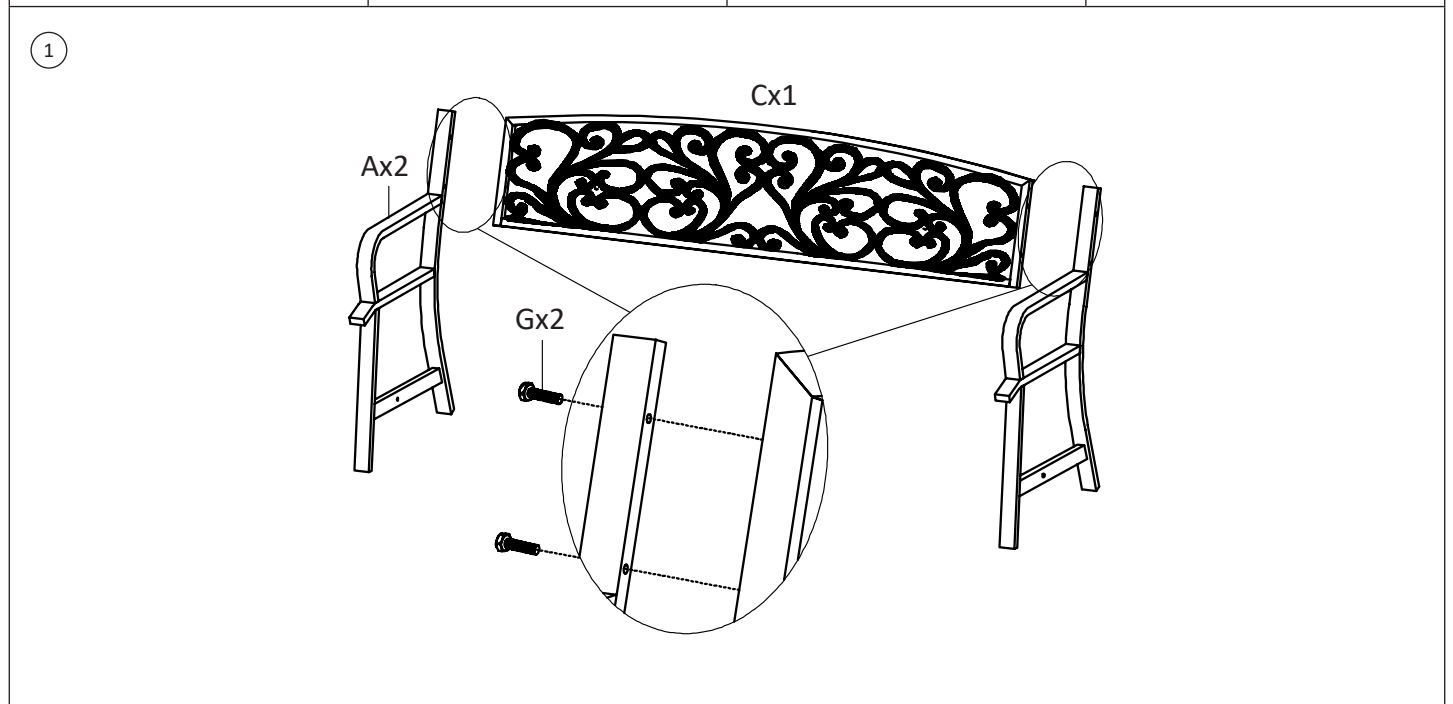
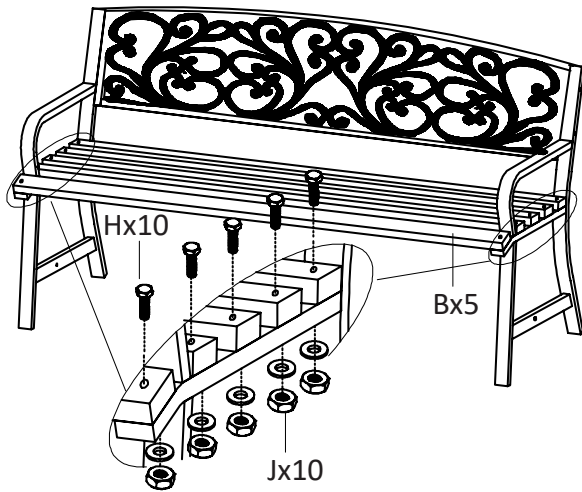


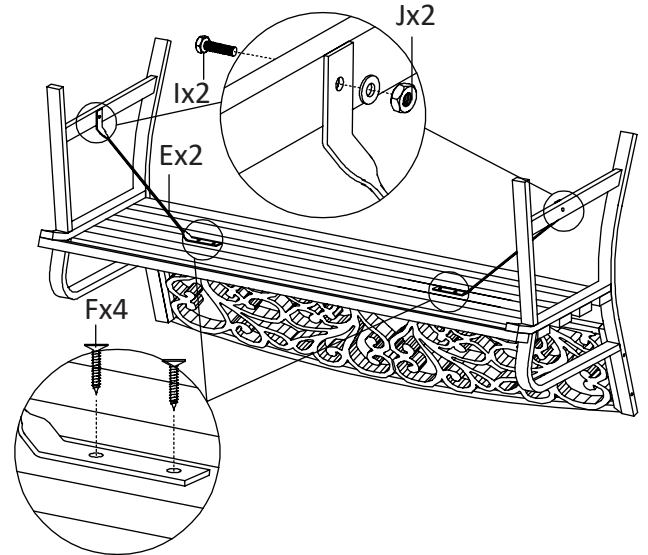
<p>Ax2</p> 	<p>Bx5</p> 	<p>Cx1</p> 	<p>Dx1</p> 
<p>Ex2</p> 	<p>Fx9</p>  <p>M4x $\frac{18}{0.7}$</p>	<p>Gx4</p>  <p>M6x $\frac{50}{2.0}$</p>	<p>Hx10</p>  <p>M6x $\frac{45}{1.8}$</p>
<p>Ix2</p>  <p>M6x $\frac{32}{1.3}$</p>	<p>Jx12</p> 	<p>Hx2</p> 	<p>mm inch</p>  <p>x2</p>



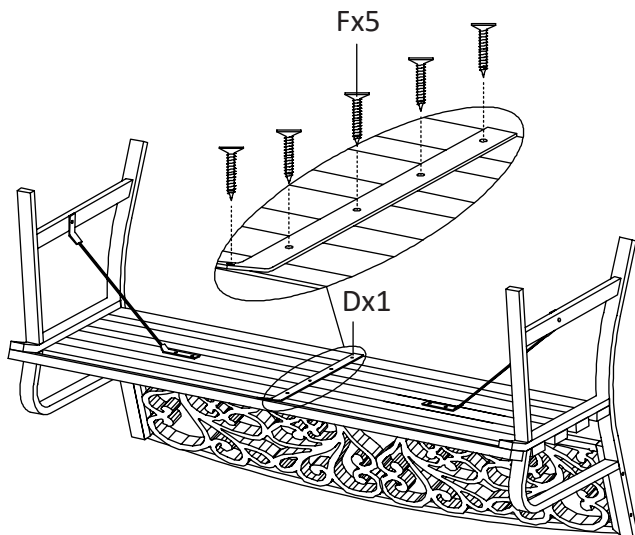
2



3



4



5

