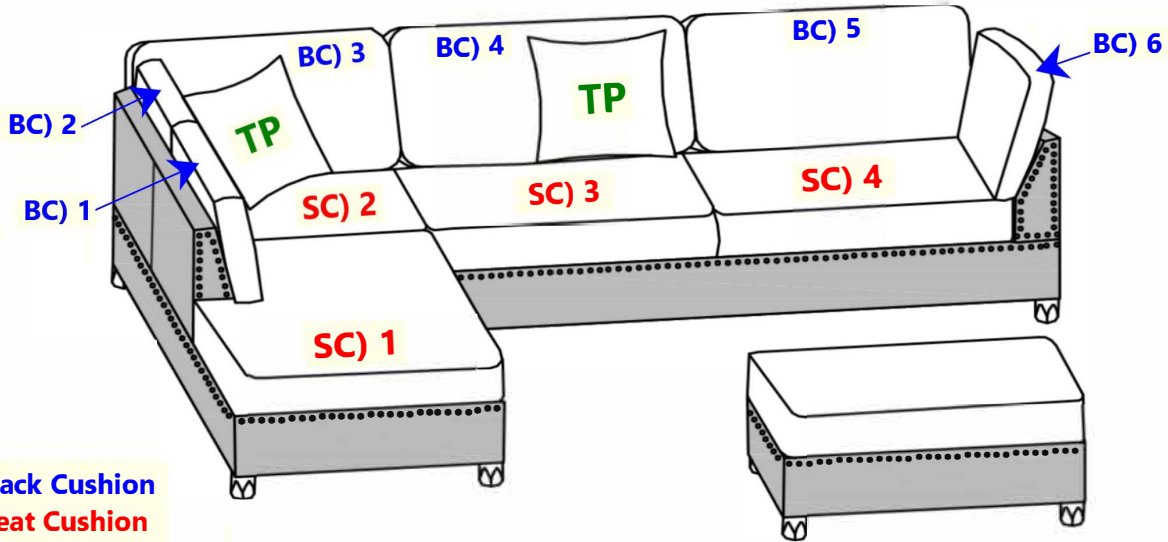


NOTICE BEFORE ASSEMBLY

Please choose the CHAISE to be on the LEFT or RIGHT hand side

Assembly Instruction



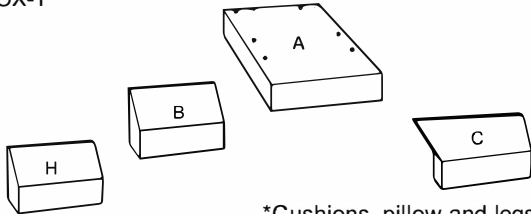
BC - Back Cushion
SC - Seat Cushion
TP - Throw Pillow

BOX 1 - CHAISE

PARTS LIST

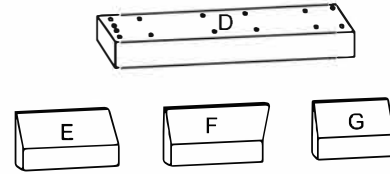
BOX 2 - SOFA

BOX-1



*Cushions, pillow and legs included

BOX-2



*Cushions, pillow and legs included

1 x12

2 x12

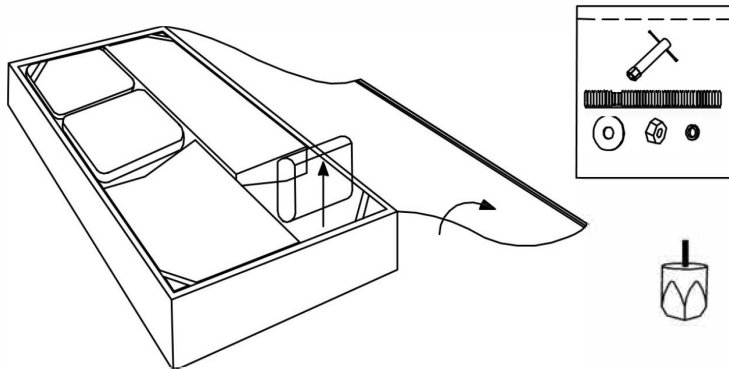
3 x12

4 x12

5 x2

6 x8

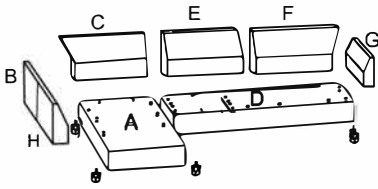
BEFORE ASSEMBLY



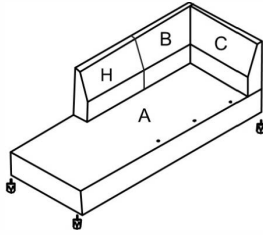
Open up the Velcro of Non-Woven Fabric cover on the bottom of the seat frame to remove seat cushions, back cushions and pillow.

PLEASE REMOVE ALL PARTS FROM SEAT FRAMES AND BACKS BEFORE ASSEMBLY

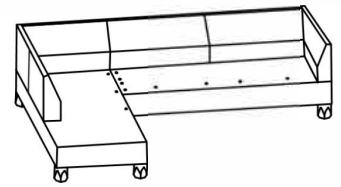
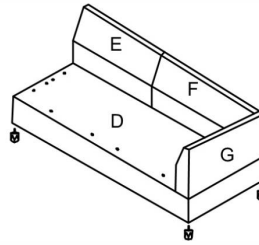
CHAISE ON THE LEFT



CHAISE - BOX 1



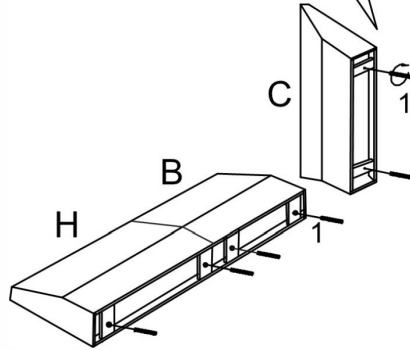
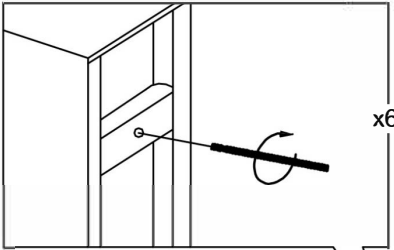
SOFA - BOX 2



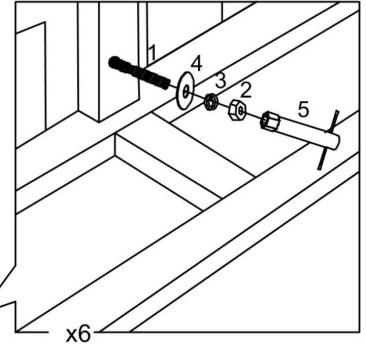
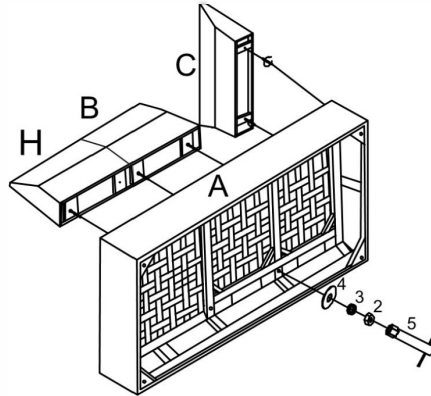
ASSEMBLY INSTRUCTION-BOX 1

STEP 1 - INSERT THREADED RODS INTO SEAT BACKS

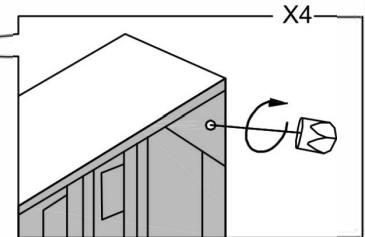
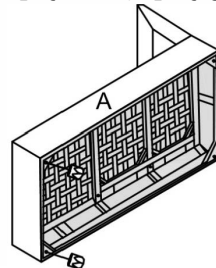
*Stop when the rod starts coming out on the other end



STEP 2 - MOUNTED SEAT BACKS INTO THE SEAT FRAME

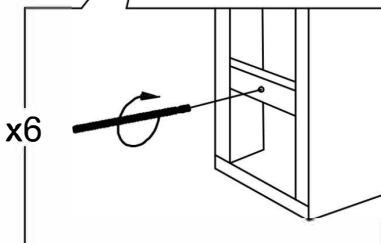
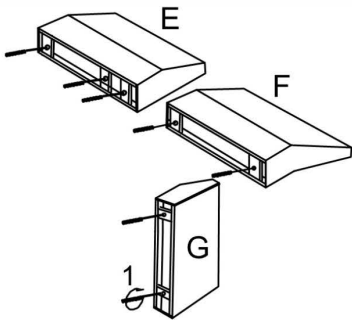


STEP 3 - PUT BACK THE FABRIC COVER AND INSERT LEGS



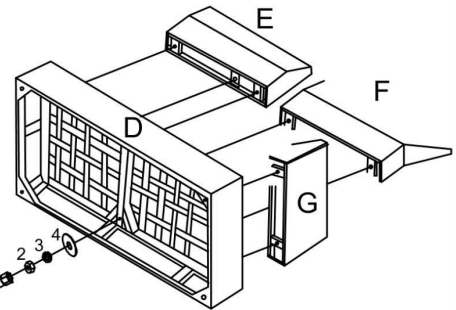
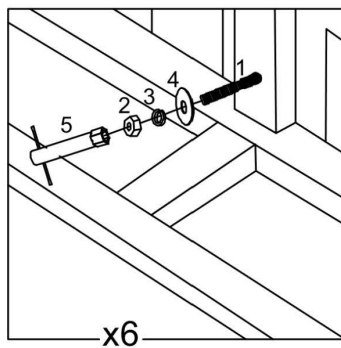
SOFA ASSEMBLY INSTRUCTION-BOX 2

STEP 1 - INSERT THREADED ROD INTO SEAT BACKS

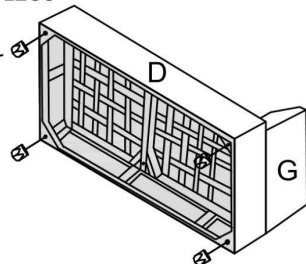
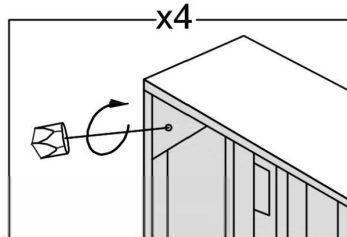


*Stop when the rod starts coming out on the other end

STEP 2 - MOUNT SEAT BACKS INTO THE SEAT FRAME



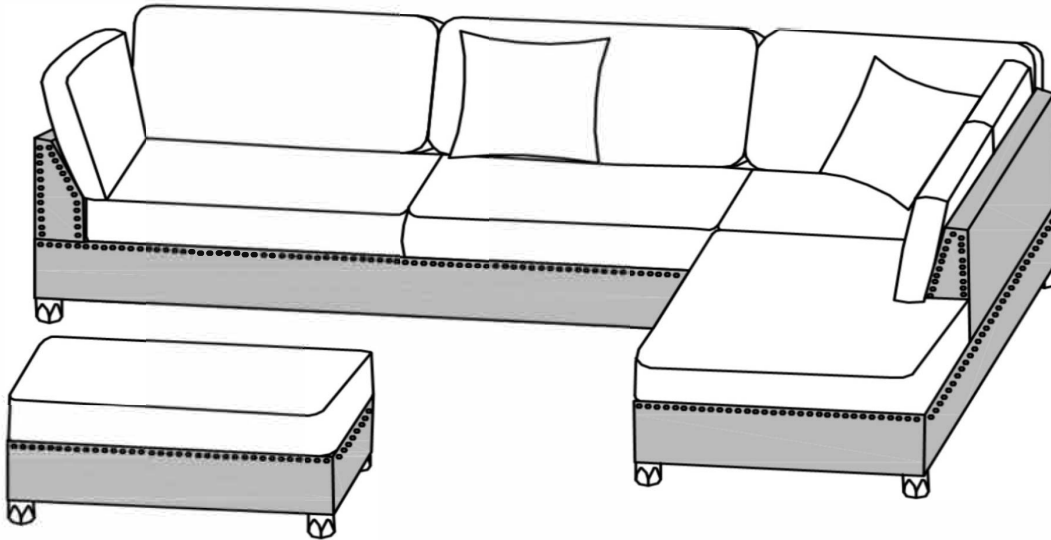
STEP 3 - PUT BACK THE FABRIC COVER AND INSERT LEGS



NOTICE BEFORE ASSEMBLY

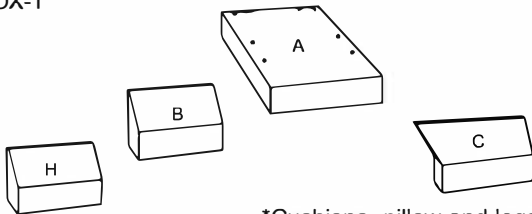
Please choose the CHAISE to be on the LEFT or RIGHT hand side

Assembly Instruction II:



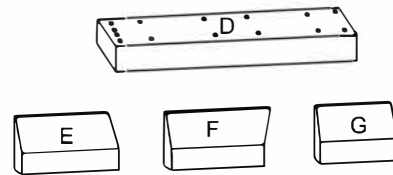
PARTS LIST

BOX-1



*Cushions, pillow and legs included

BOX-2



*Cushions, pillow and legs included

1



x12

2



x12

3



x12

4



x12

5



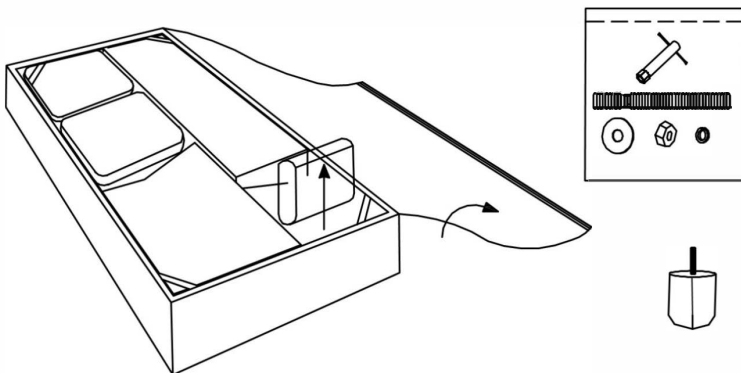
x2

6



x8

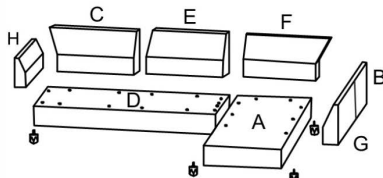
BEFORE ASSEMBLY



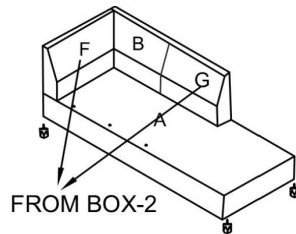
Open up the Velcro of Non-Woven Fabric cover on the bottom of the seat frame to remove seat cushions, back cushions and pillow.

PLEASE REMOVE ALL PARTS FROM SEAT FRAMES AND BACKS BEFORE ASSEMBLY

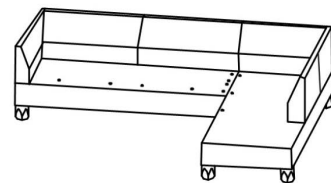
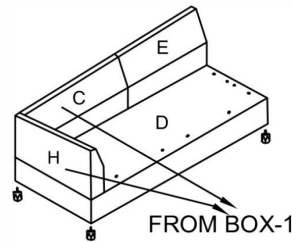
CHAISE ON THE LEFT



CHAISE - BOX 1



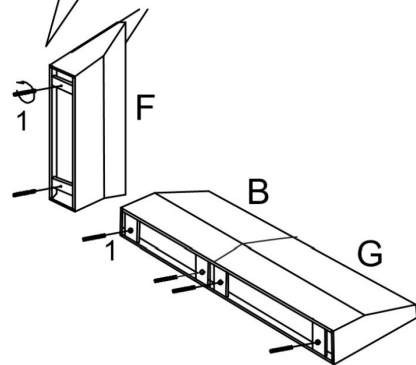
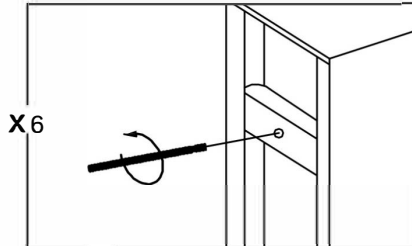
SOFA - BOX 2



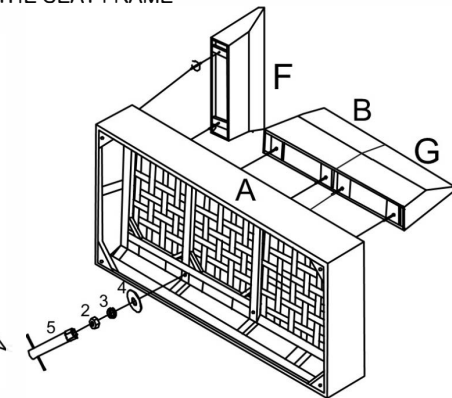
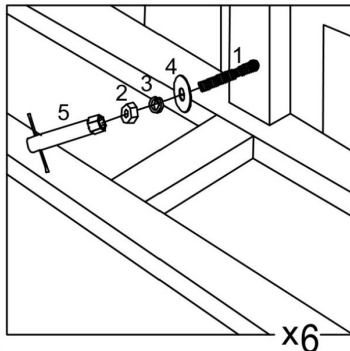
ASSEMBLY INSTRUCTION-BOX 1

STEP 1 - INSERT THREADED RODS INTO SEAT BACKS

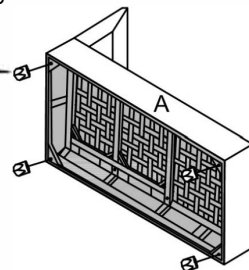
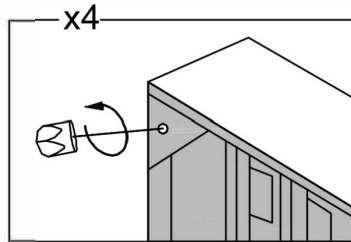
*Stop when the rod starts coming out on the other end



STEP 2 - MOUNTED SEAT BACKS INTO THE SEAT FRAME

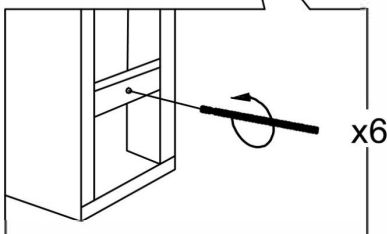
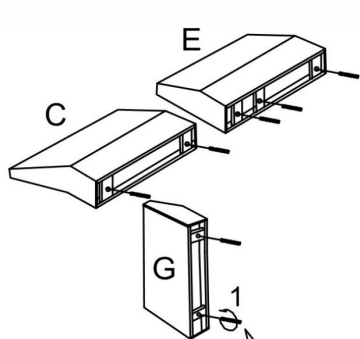


STEP 3 - PUT BACK THE FABRIC COVER AND INSERT LEGS



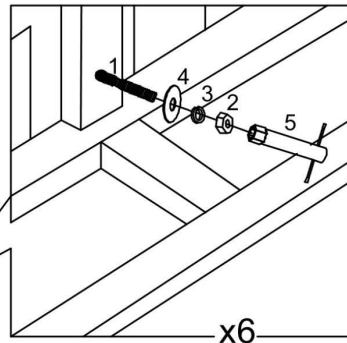
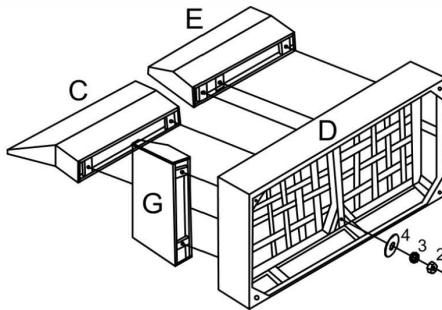
SOFA ASSEMBLY INSTRUCTION-BOX 2

STEP 1 - INSERT THREADED ROD INTO SEAT BACKS

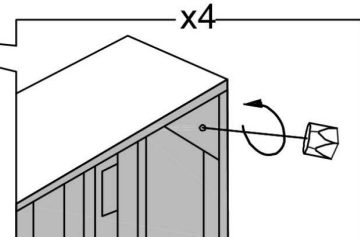
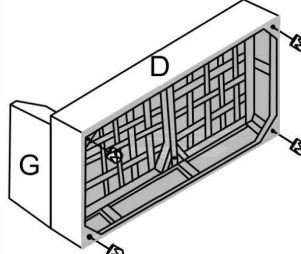


*Stop when the rod starts coming out on the other end

STEP 2 - MOUNT SEAT BACKS INTO THE SEAT FRAME

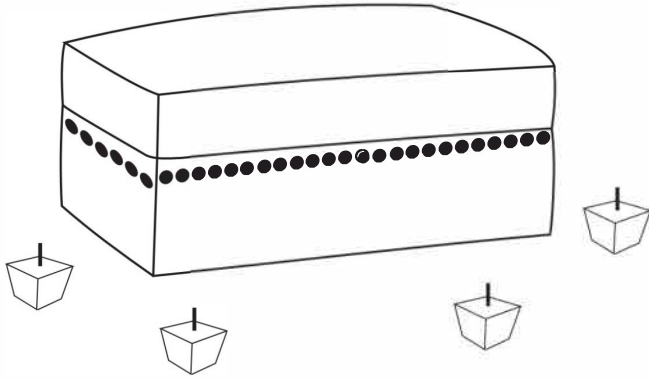


STEP 3 - PUT BACK THE FABRIC COVER AND INSERT LEGS

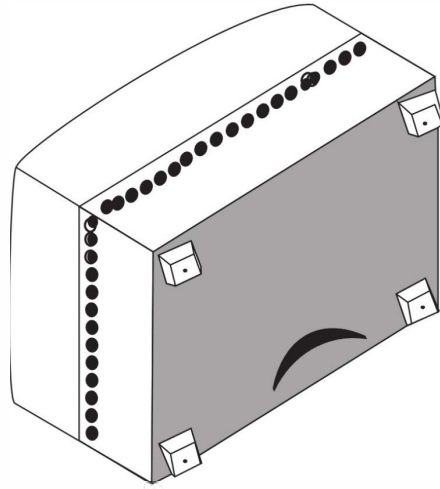


Assembly Instructions

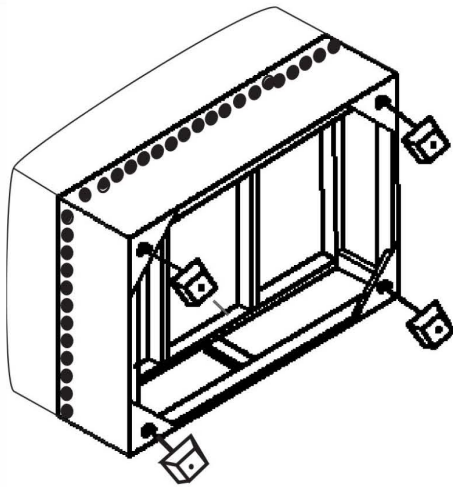
BOX 3



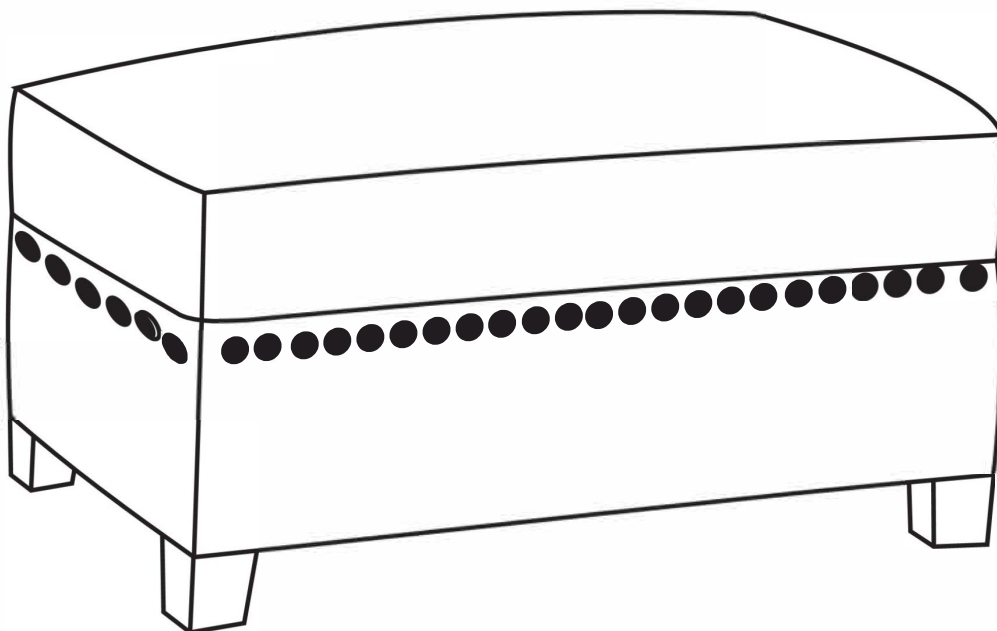
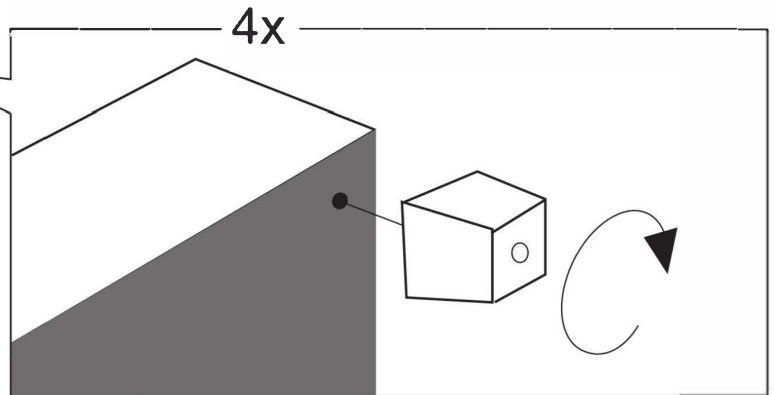
1



2



3



4

INSERT THE "n" SHAPE HANGER INTO THE SEAT FRAME TO ATTACH THE SECTIONAL TOGETHER.

