

ALWAYS READ THROUGH AND FULLY UNDERSTAND THE INSTRUCTION LEAFLET BEFORE STARTING THE INSTALLATION OF THIS PRODUCT.



ALWAYS CHECK THE PACKAGING AND ENSURE YOU HAVE ALL FIXINGS AND COMPONENT PARTS DETAILED IN THIS INSTRUCTION LEAFLET BEFORE RECYCLING OR DISPOSING OF THE PACKAGING.

ALWAYS ENSURE YOU HAVE ALL THE FIXINGS AND COMPONENT PARTS BEFORE ATTEMPTING TO ASSEMBLE OR FIT THIS PRODUCT.

Thank you for purchasing this Croydex product. Follow the fixing and care instructions in this manual to ensure that your product is fitted safely and that it retains its high quality finish.

**RETAIN THIS MANUAL FOR FUTURE REFERENCE.**

ADDRESS (UK)

Croydex  
 Central Way  
 Andover, Hampshire  
 SP10 5AW, UK

ADDRESS (EU)

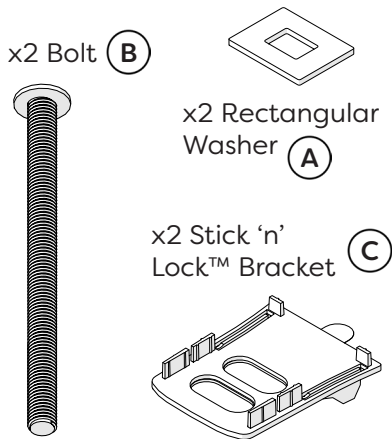
MIL, Unit 8  
 Purcellsinch Ind Est  
 Dublin Road, Kilkenny  
 R95 HP71, Ireland

SAFETY & PRODUCT CARE

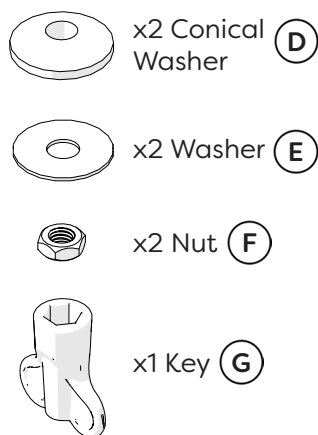
1. To retain the best quality finish, clean the product with a soft cloth and a mild soap solution **applied directly to the cloth**.
2. **DO NOT** use abrasive or chemical cleaners as they may damage the surface of the toilet seat or hinges.
3. Take care when cleaning the toilet pan with chemical cleaners. Avoid contact of the chemical cleaners with the toilet seat or hinges. Immediately rinse off any splashes to avoid damage or discolouration to the surface of the toilet seat and hinge parts.

1 - INTRODUCTION

FIXING PACK

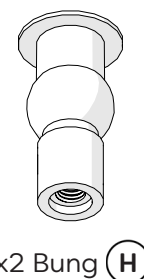


REQUIRED FOR BOTH INSTALLATION METHODS



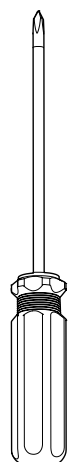
ONLY REQUIRED FOR BOTTOM FIX INSTALLATION

(SEE INSTALLATION STEP 2)



ONLY REQUIRED FOR TOP FIX INSTALLATION

TOOLS REQUIRED



## PRE-INSTALLATION

1. Remove the old seat from the pan and clean the surface around the fixing holes.
2. Ensure the surfaces around the fixing holes are completely dry and free of any dust or debris before beginning the installation.
3. To ensure you do not lose any dropped components in the toilet pan, place cling film over the toilet bowl.
4. **COMPLETE PRE-INSTALLATION STEPS 4 AND 5 BEFORE REMOVING THE HYGIENE FILM** from the toilet seat. Position the seat over your pan to ensure the shape and profile of the toilet matches your toilet pan. (See Fig 1.)

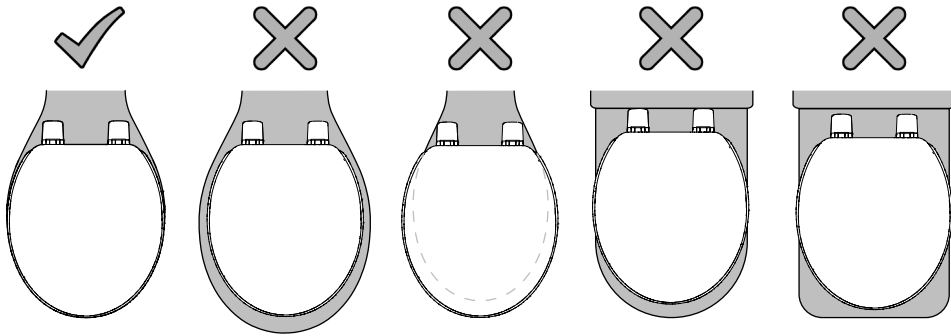
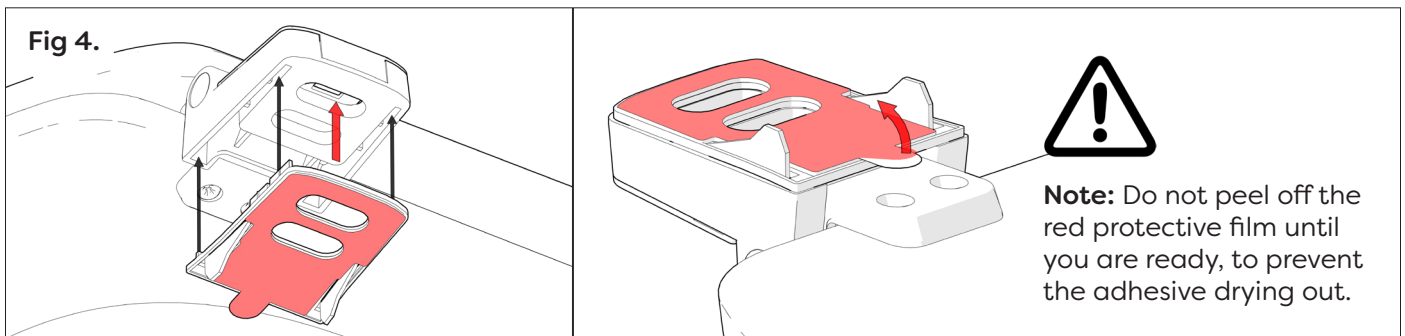


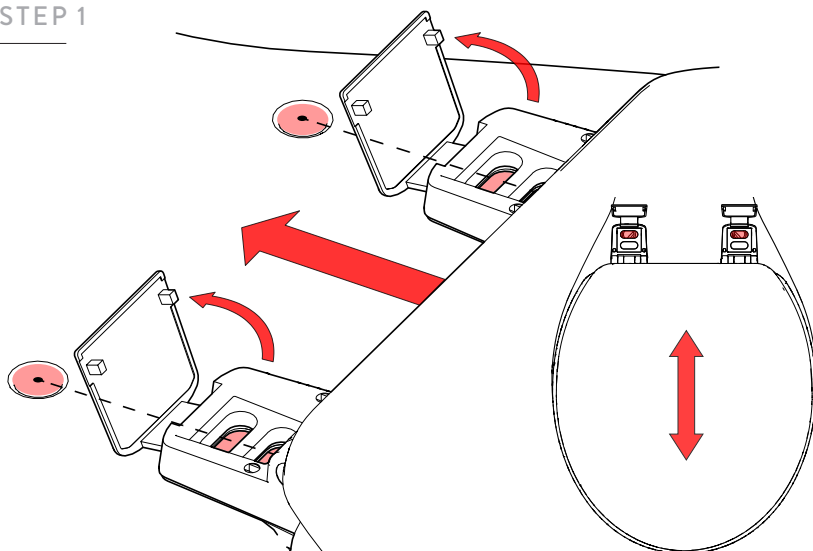
Fig 1.

5. **ONLY** once you are satisfied that the toilet seat will fit your toilet pan, remove the hygiene film.
6. Assemble the Stick 'n' Lock™ brackets (C) into the seat hinges. Carefully peel off the red protective film from the adhesive pad on both brackets, when you are ready to install the toilet seat. (See Fig. 4)



## 2 - INSTALLATION

### STEP 1



**Identify which slots in the mounting brackets to use:** Lift open the plastic cover caps to expose the slots in the mounting brackets.

Move the seat to position the slots in the mounting brackets over the toilet pan mounting holes, while aligning the front of the seat as close to the front of the pan as possible.

**NOTE:** Do not depress the brackets. This may result in the adhesive tape sticking before you are satisfied with the position.

## STEP 2

**Identify your toilet pan style:** Choose top or bottom fix installation (see below). Place your toilet seat onto the toilet pan and loosely fit it in place using the relevant method. **NOTE: Do not depress the brackets. This may result in the adhesive tape sticking before you are satisfied with the position.**

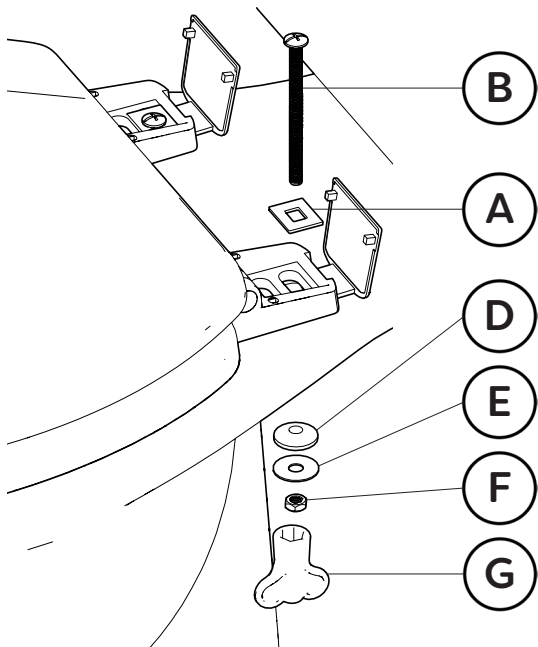
### CHOOSE BETWEEN

#### BOTTOM FIX INSTALLATION

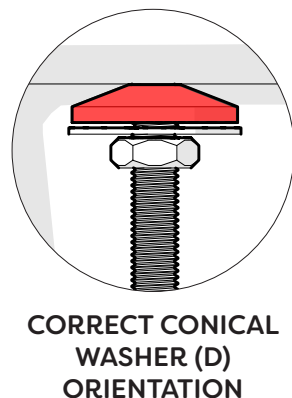
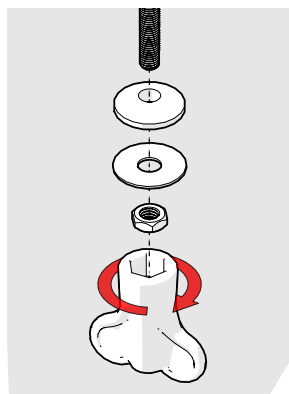
This installation is designed to be used on 'standard' toilets with access below the toilet pan.



Examples of Bottom Fix toilet pans.



Insert the bolts (B) through the rectangular washers (A) and mounting bracket slots. Assemble the conical washer (D), washer (E), and nut (F) onto the bolts (B) and loosely tighten using the key (G). **NOTE: the angled face of the conical washer (D) must be correctly orientated upwards.**



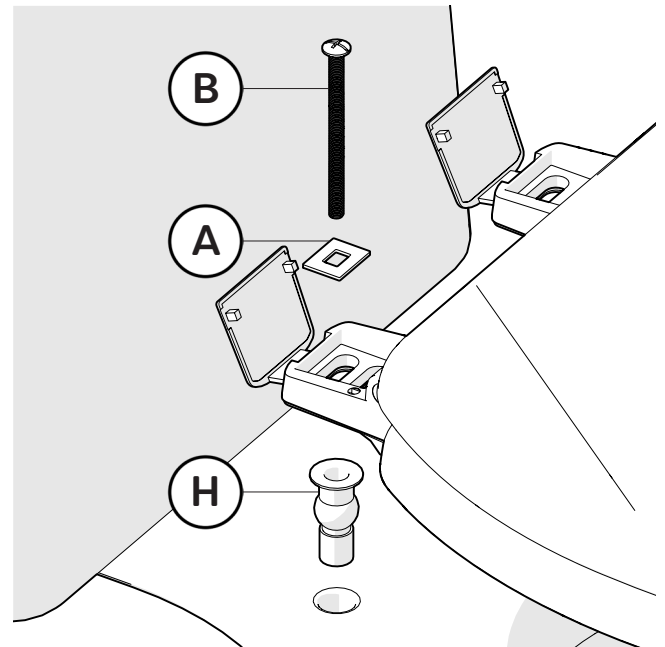
#### TOP FIX INSTALLATION

This installation is designed to be used on 'back to wall' toilets with no access below the toilet pan.

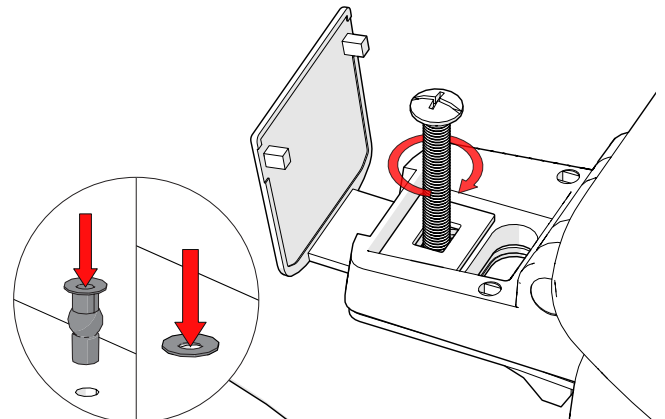


Examples of Top Fix toilet pans.

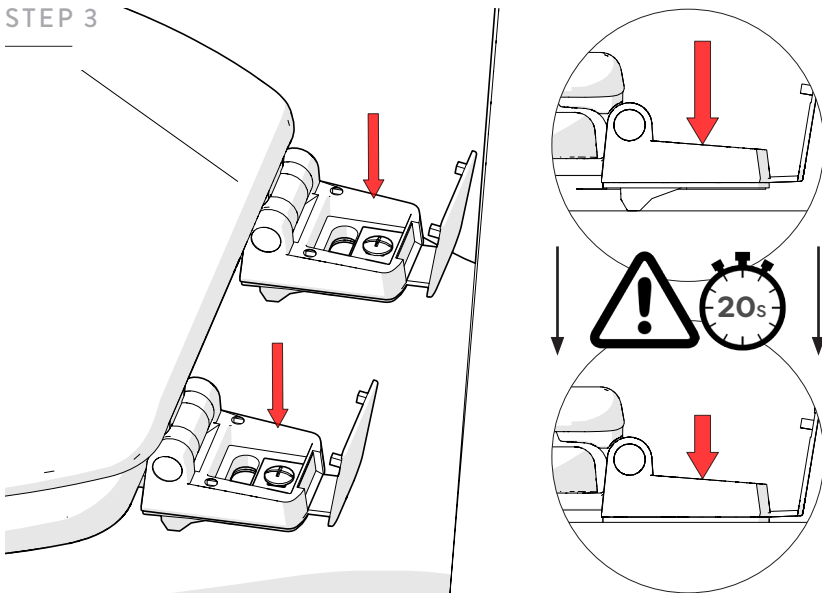
OR



Insert the bungs (H) into the toilet pan. Insert the bolts (B) through the rectangular washers (A) and mounting bracket slots - and screw into the bungs (H). **NOTE: Do not fully tighten, the brackets should be able to move.**



STEP 3

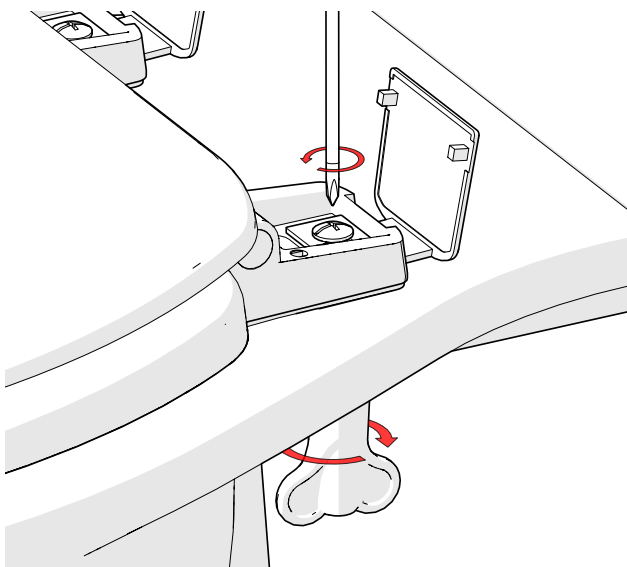


Once you are confident with the position of your seat, apply pressure on each bracket to collapse the supports and stick them into position.

**NOTE: Hold down for 20 seconds.**

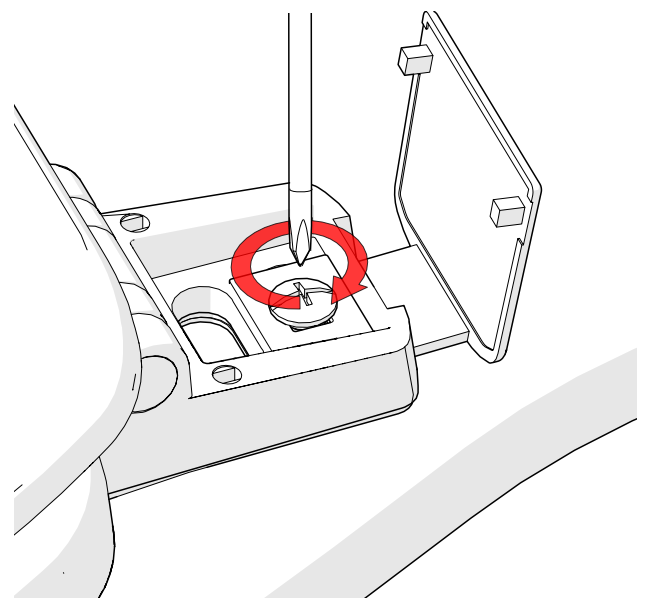
STEP 4

**BOTTOM FIX**



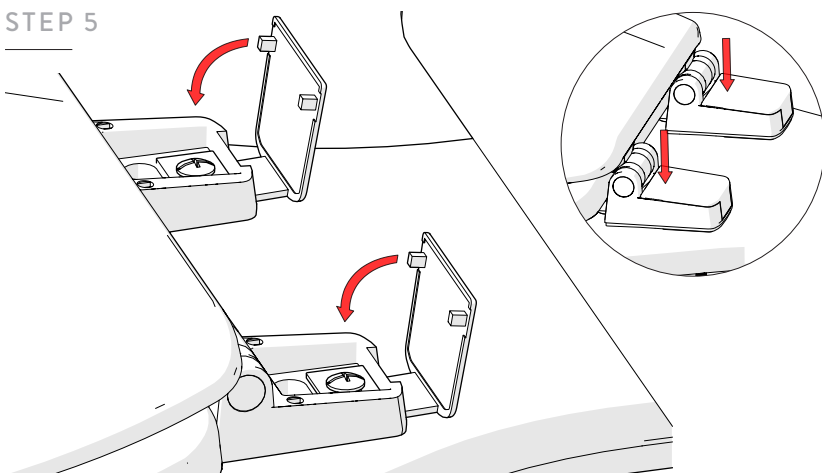
Fully tighten the bolts (B) using the key (G) and a screwdriver.

**TOP FIX**



Fully tighten the bolts (B) using a screwdriver.

STEP 5



Close the hinge covers.