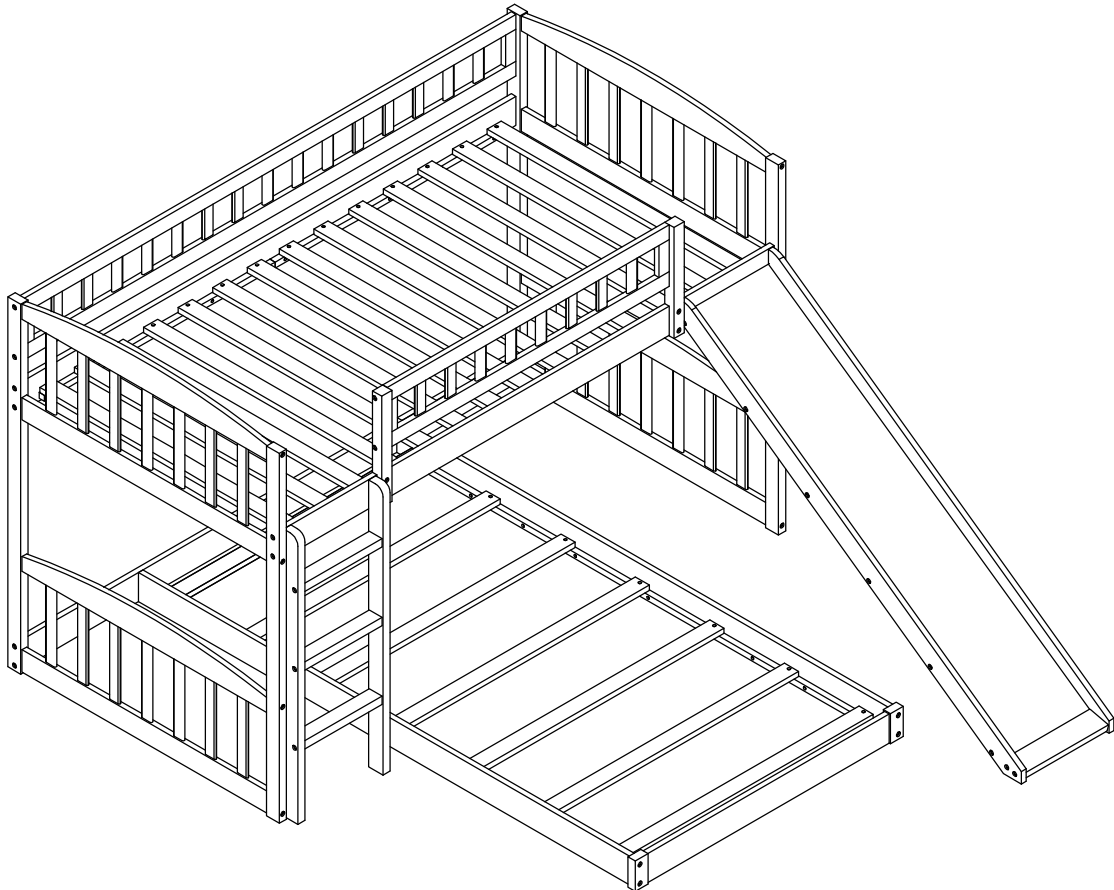


ASSEMBLY INSTRUCTION





SAFETY WARNINGS



1. This bed is designed for use only mattress(es) meeting the following specifications on the upper bunk, and lower bunk:

Upper bunk (bunk bed and triled included)

Bed Type	Length	Width	Thickness
<i>Twin Standard</i>	<i>74"-75"</i>	<i>37 ½"-38 ½"</i>	<i>6" max</i>

Lower bunk

Bed Type	Length	Width	Thickness
<i>Twin Standard</i>	<i>74"-75"</i>	<i>37 ½"-38 ½"</i>	<i>8"</i>

2. Replacement parts, including additional guardrails, maybe obtained from any of our (GIGACLOUD TECHNOLOGY (USA) INC. 18961 ARENTH AVENUE CITY OF INDUSTRY, CA, 91748) dealers.
3. Follow the information on the warnings appearing on the upper bunk bed end structure and on the carton. Do not remove warning label from bed.
4. Always use the recommended size mattresses or mattress supports, or both, to help prevent the likelihood of entrapment or falls.
5. Surface of the mattress must be at least 5" . (127 mm) below the upper edge of guardrails.
6. Do not allow children under 6 years of age to use the upper bunk.
7. Periodically check and ensure that the guardrail, ladder, and other components are in their proper position, free from damage, and that all connectors are tight.
8. Do not allow horseplay on or under the bed and prohibit jumping on the bed
9. Always use the ladder for entering and leaving the upper bunk.
10. Do not use substitute parts. Contact the manufacturer or dealer for replacement parts.
11. Use of a night light may provided added safety precaution for a child using the upper bunk.
12. Always use guardrails on both long sides of the upper bunk. If the bunk bed will be placed next to the wall, the guardrail that runs the full length of the bed should be placed against the wall to prevent entrapment between the bed and wall.
13. The use of water or sleep flotation mattresses is prohibited.
14. STRANGULATION HAZARD – Never attach or hang items to any part of the bunk bed that are not designed for use with the bed; for example, but not limited to, hook, belts and jump ropes.
15. Keep these instructions for future reference
16. Prohibit more than one person on upper bunk.
17. We recommend assembling your bunk bed on the shipping carton to protect your floor or carpet.
18. Be certain all staples are out of the box before beginning assembly on the shipping carton.

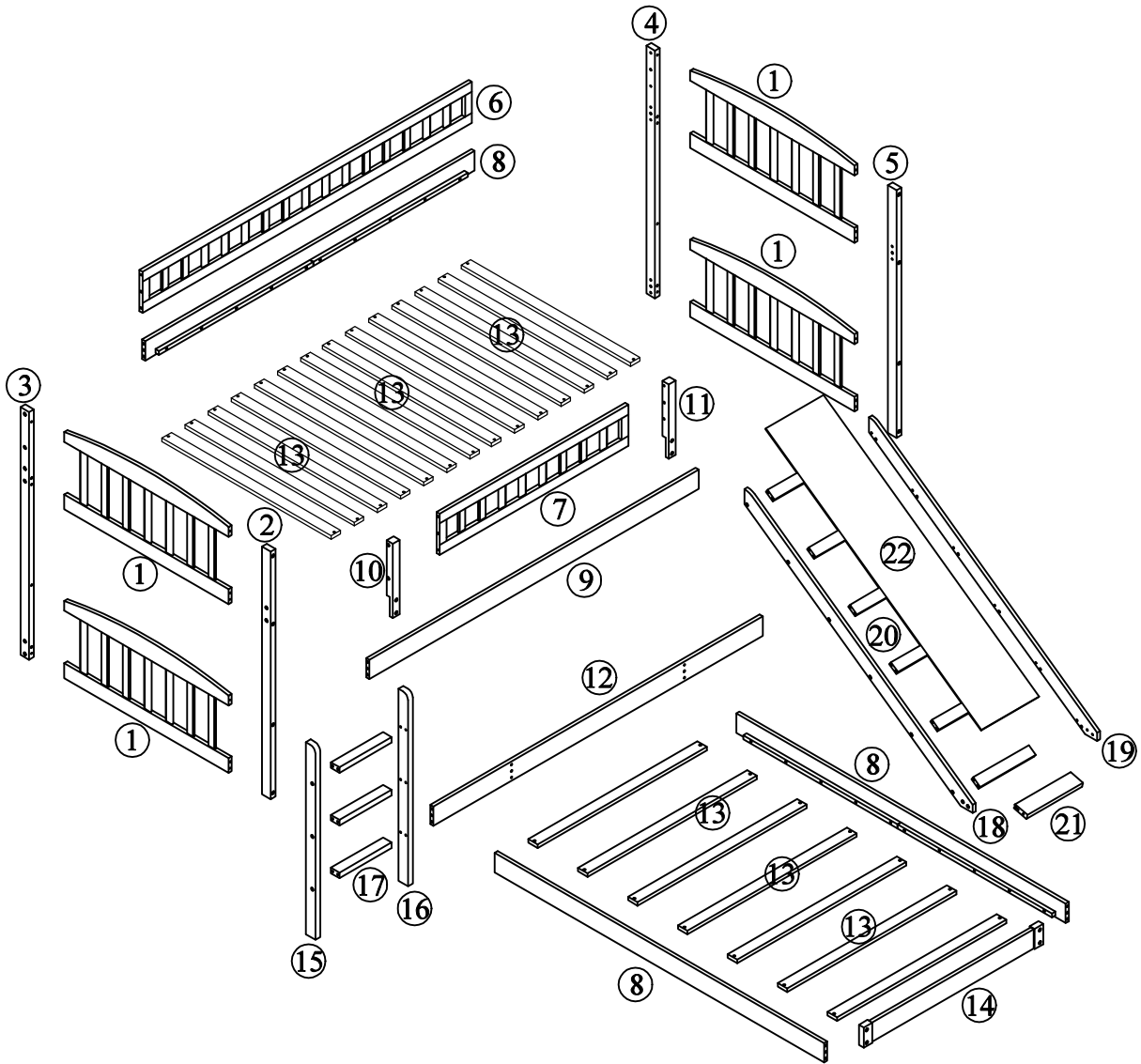


SAFETY WARNINGS



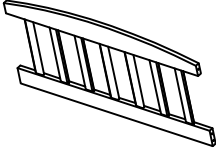
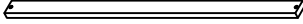
1. **At the beginning :**
 - Tighten all hardware.
 - Check metal parts for rust. If found, sand and repaint using a non-lead-based paint meeting the requirements of 16 CFR 1303.
 - Check all wood members for deterioration and splinters. Sand down splinters and replace deteriorating wood members.
 - Rake and check depth of loose fill protective surfacing materials to prevent compaction and to maintain appropriate depth. Replace as necessary.
2. **Twice a month**
 - Tighten all hardware.
 - Rake and check depth of loose fill protective surfacing materials to prevent compaction and to maintain appropriate depth. Replace as necessary.
3. **Owners shall be responsible for maintaining the legibility of the warning labels.**
4. **Disposal Instructions-**
 - There shall be instructions advising the owner to disassemble and dispose of the playground equipment in such a way that no unreasonable hazards will exist at the time the playground equipment is discarded.
5. **The instructions shall also include the information found in Section 4 of the United States Consumer Product Safety Commission's (USCPSC) Outdoor Home Playground Safety Handbook or specific surfacing guidelines for the product consistent with the USCPSC Handbook. A copy of this section may be found in Appendix X2.**
6. **Observing the following statements and warnings reduces the likelihood of serious or fatal injury.**
7. **Specifying the number and weight of occupants that may safely use the equipment singly or simultaneously,**
8. **Recommending on-site adult supervision for children of all ages,**
9. **Warning the owner to instruct children not to use the equipment in a manner other than intended,**
10. **Warning the owner to instruct children not to get off equipment while it is in motion,**
11. **Warning the owner not to allow children to wear inappropriate items, such as but not limited to, loose fitting clothing, hood and neck drawstrings, scarves, cord-connected items, capes and ponchos. These items can cause death by strangulation.**
12. **Warning the owner to instruct children not to climb when the equipment is wet.**
13. **Warning the owner to instruct children not to attach items to the playground equipment that are not specifically designed for use with the equipment, such as, but not limited to, jump ropes, clothesline, pet leashes, cables and chain as they may cause a strangulation hazard**
14. **Warning the owner to instruct children to remove their bike or other sports helmet before playing on the playground equipment.**
15. **Warning the owner to dress children with well-fitting and full foot enclosing footwear. Examples of inappropriate footwear are clogs, flip flops, and sandals.**
16. **Place the equipment on level ground, not less than 6 ft (1.8 m) from any structure or obstruction such as a fence, garage, house, overhanging branches, laundry lines, or electrical wires**
17. **Do not install home playground equipment over concrete, asphalt, packed earth, grass, carpet, or any other hard surface. A fall onto a hard surface can result in serious injury or death to the equipment user**
18. **To prevent serious injury, cautionary statements shall be included which warn that children must not use the equipment until properly installed.**

Detail View - BUNK BED

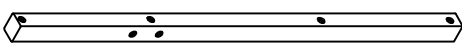
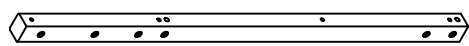
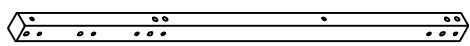
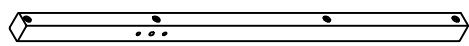
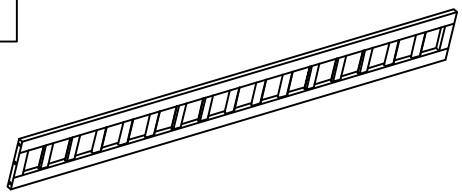
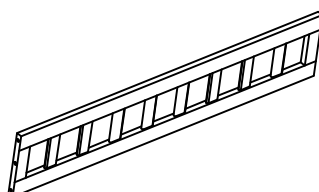


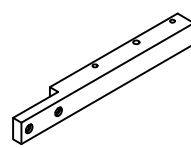
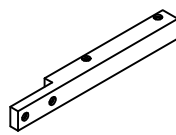
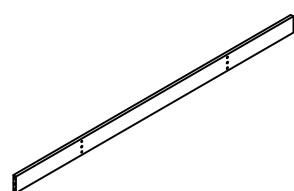
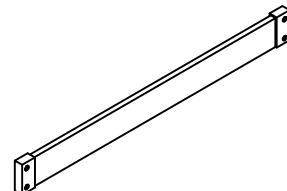


Identifying the Hardware -Identify the hardware using the illustrations below.

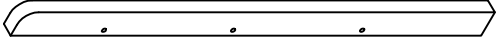
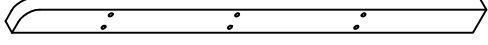
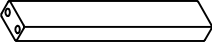
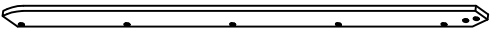
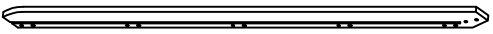

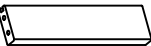

Part List—

<p data-bbox="220 342 240 371">1</p>  <p data-bbox="357 546 611 575">Headboard - 4pcs</p>	<p data-bbox="831 342 874 371">13</p>  <p data-bbox="991 546 1256 575">Bed board - 21pcs</p>
--	--

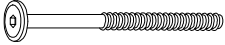




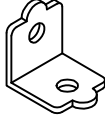


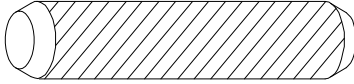


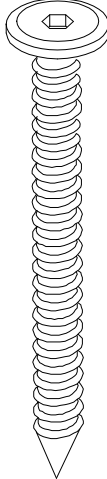
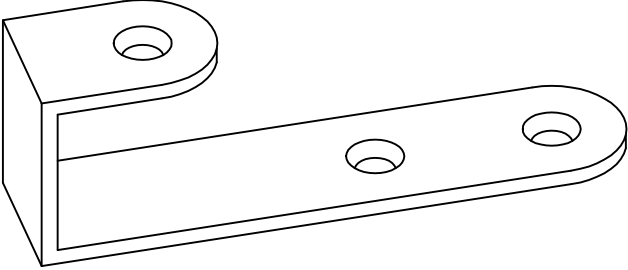
Part List-

<p>2</p>  <p>Left front bed column- 1pc</p>	<p>3</p>  <p>Left rear bed column - 1pc</p>
<p>4</p>  <p>Right rear bed column - 1pc</p>	<p>5</p>  <p>Right front bed column- 1pc</p>
<p>6</p>  <p>Back guard rail frame - 1pc</p>	<p>7</p>  <p>Front guard rail frame - 1pc</p>
<p>8</p>  <p>Bed side plate - 3pcs</p>	<p>9</p>  <p>Bed side plate - 1pc</p>
<p>10</p>  <p>Left front guard rails support - 1pc</p>	<p>11</p>  <p>Right front guard rails support - 1pc</p>
<p>12</p>  <p>Lower bed side plate - 1pc</p>	<p>14</p>  <p>Foot board - 1pc</p>

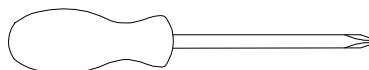
Part List—

15  Bed ladder column - 1pc	16  Bed ladder column - 1pc
17  Step of bed ladder - 3pcs	18  Slide column - 1pc
19  Slide column - 1pc	20  Slide support wood - 6pcs
21  Slide baffle - 1pc	22  Skate - 1pc

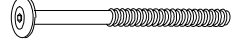

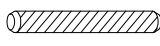
Hardware List

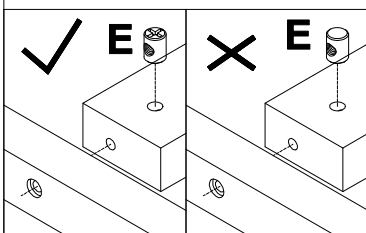
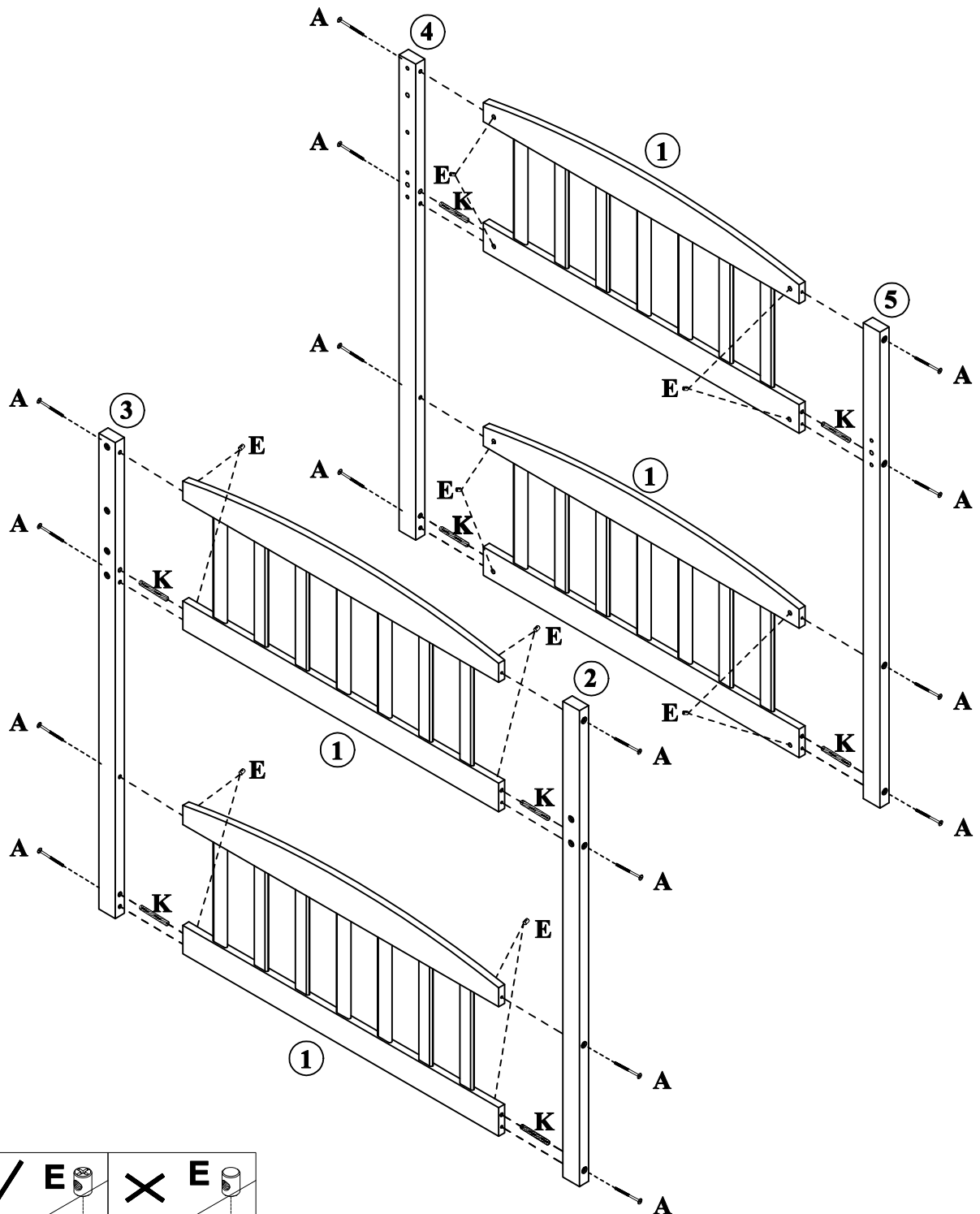
<p>A</p>  <p>$\varnothing 13 \times 1/4" \times 80 \text{mm}$</p>	<p>B</p>  <p>$\varnothing 13 \times 1/4" \times 30 \text{mm}$</p>	<p>D</p>  <p>$\varnothing 13 \times 1/4" \times 60 \text{mm}$</p>
<p>Hex-Head bolts(16pcs) Hex-Head bolts(4pcs) Hex-Head screw(8pcs)</p>		
<p>E</p>  <p>$\varnothing 10 \times 13 \text{mm}$</p>	<p>F</p>  <p>$\varnothing 8 \times \varnothing 4 \times 30 \text{mm}$</p>	<p>H</p>  <p>20x20x19mm</p>
<p>Horizontal-Hole bolts(36pcs) Round head screw(42pcs) L-Bracket (1pc)</p>		
<p>I</p>  <p>$\varnothing 7 \times \varnothing 3.5 \times 18 \text{mm}$</p>	<p>J</p>  <p>4mm</p>	<p>K</p>  <p>$\varnothing 10 \times 40 \text{mm}$</p>
<p>Flat head screw(14pcs) Allen key(1pc) Wood dowel(40pcs)</p>		
<p>L</p>  <p>$\varnothing 13 \times 1/4" \times 70 \text{mm}$</p>	<p>M</p>  <p>$\varnothing 13 \times 1/4" \times 50 \text{mm}$</p>	<p>C</p> 
<p>Hex-Head bolts(16pcs) Hex-Head bolts(4pcs)</p>		
<p>G</p>  <p>$\varnothing 75 \times 18 \times 24 \text{mm}$</p> <p>Stair hook(4pcs)</p>		<p>$\varnothing 13 \times 1/4" \times 50 \text{mm}$</p>
		<p>Hex-Head screw(22pcs)</p>

ASSEMBLY TOOLS REQUIRED (NOT INCLUDED)

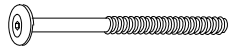


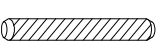


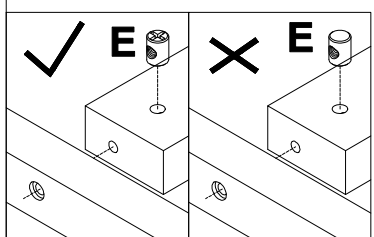
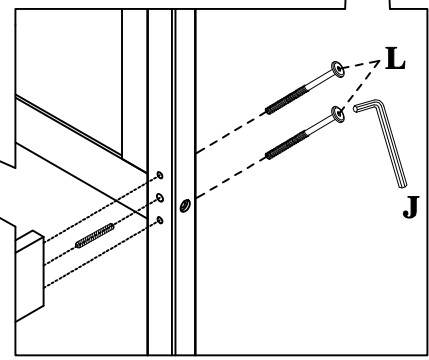
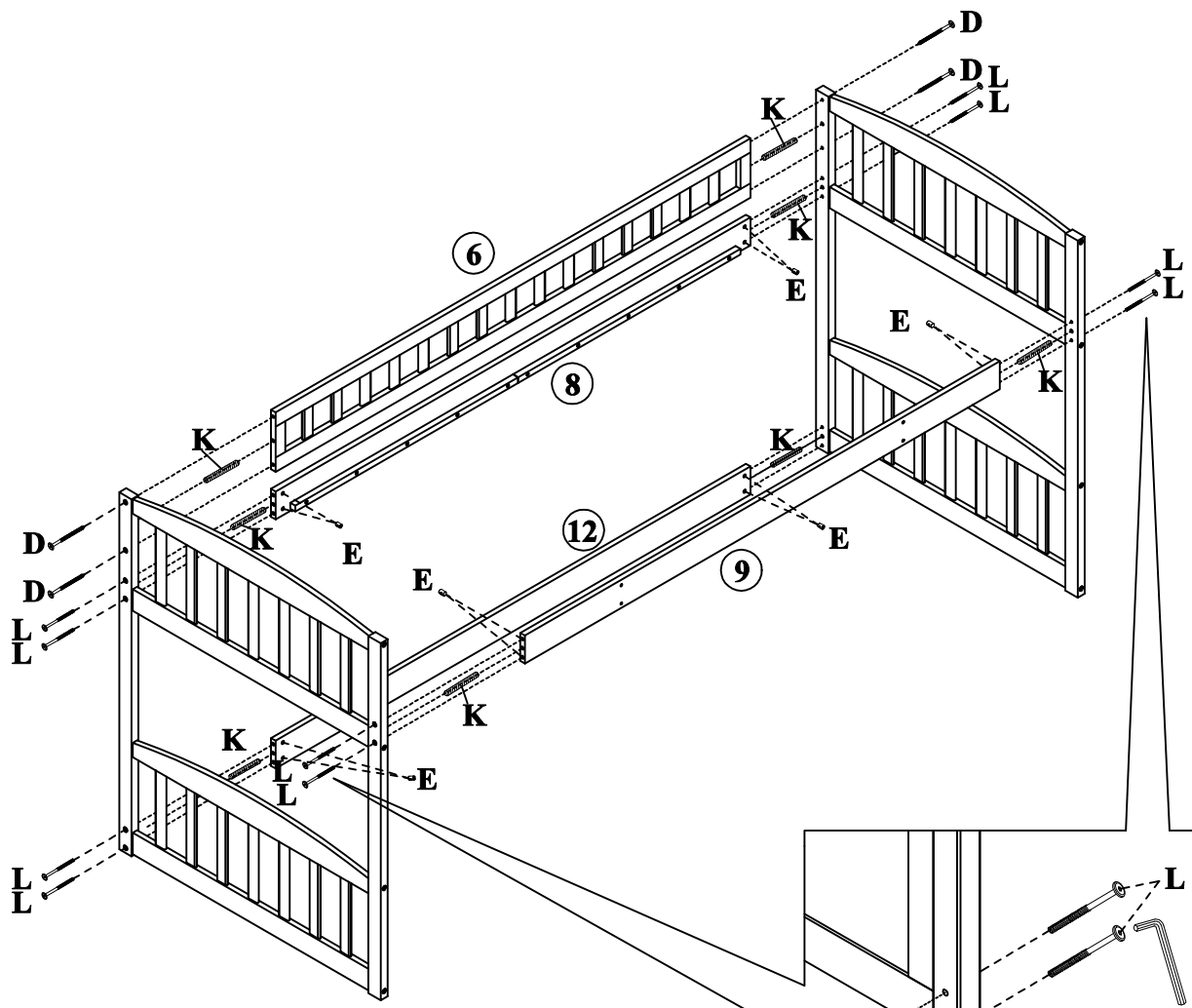
STEP: 1

A	E	K
		
16PCS	16PCS	8PCS





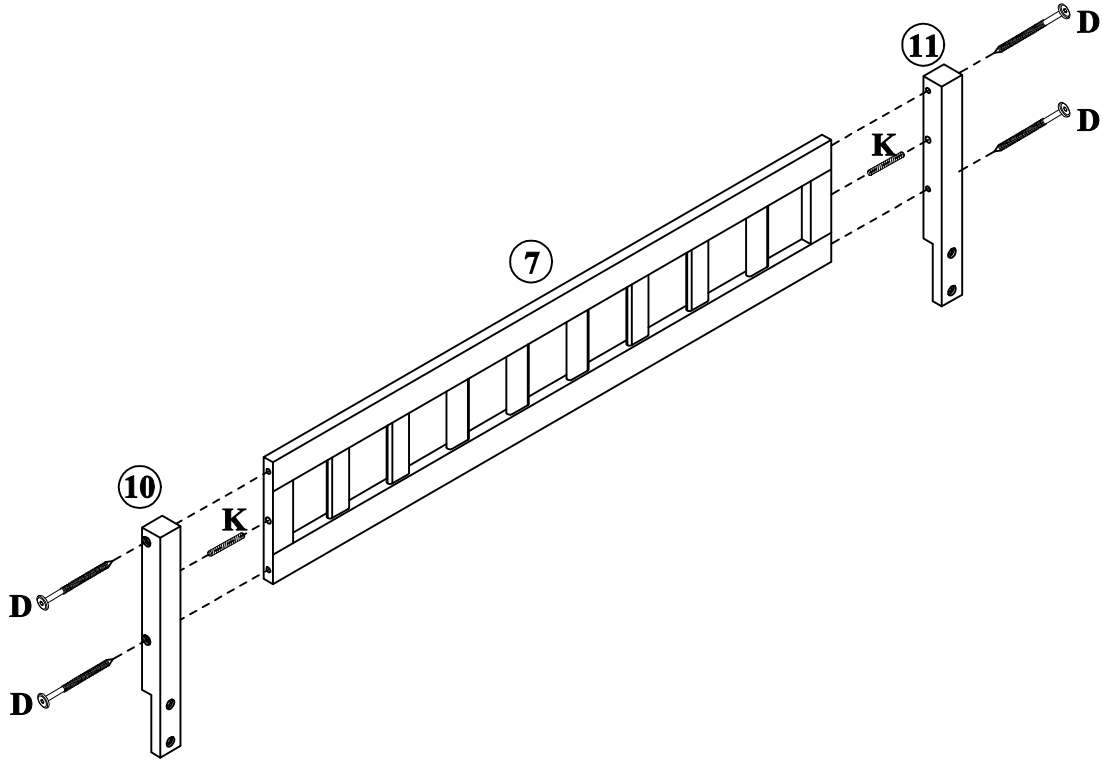
STEP: 2

L	D	E	K
			
12PCS	4PCS	12PCS	8PCS




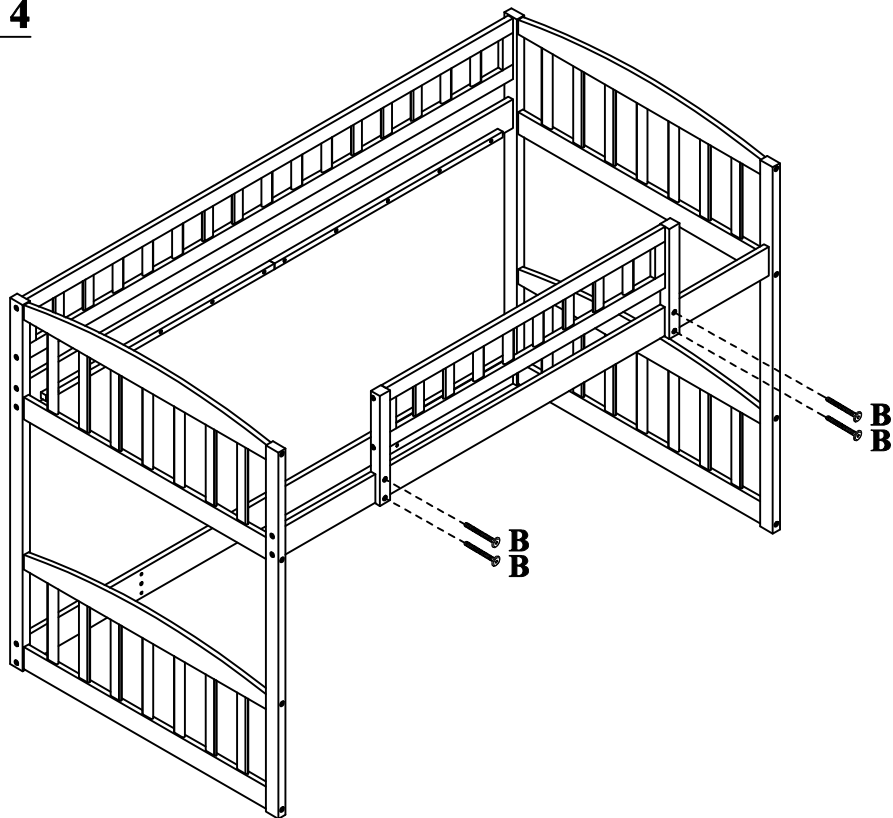
STEP: 3

K	D
	
2 PCS	4PCS

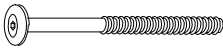

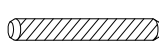



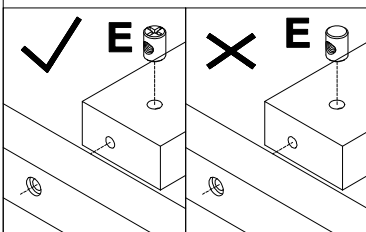
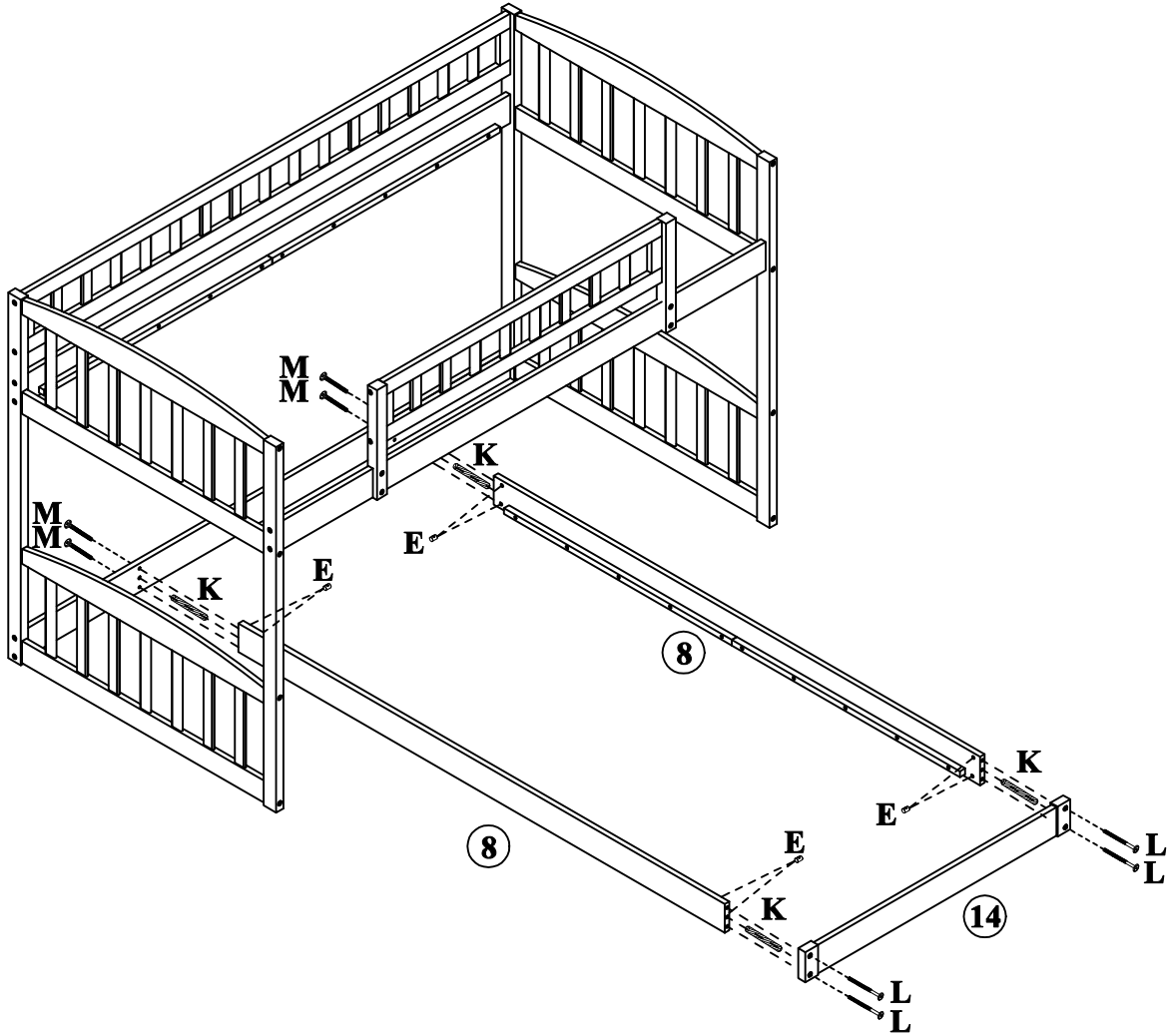
STEP: 4

B

4PCS



STEP: 5

L		M		K		E	
4PCS		4PCS		4PCS		8PCS	

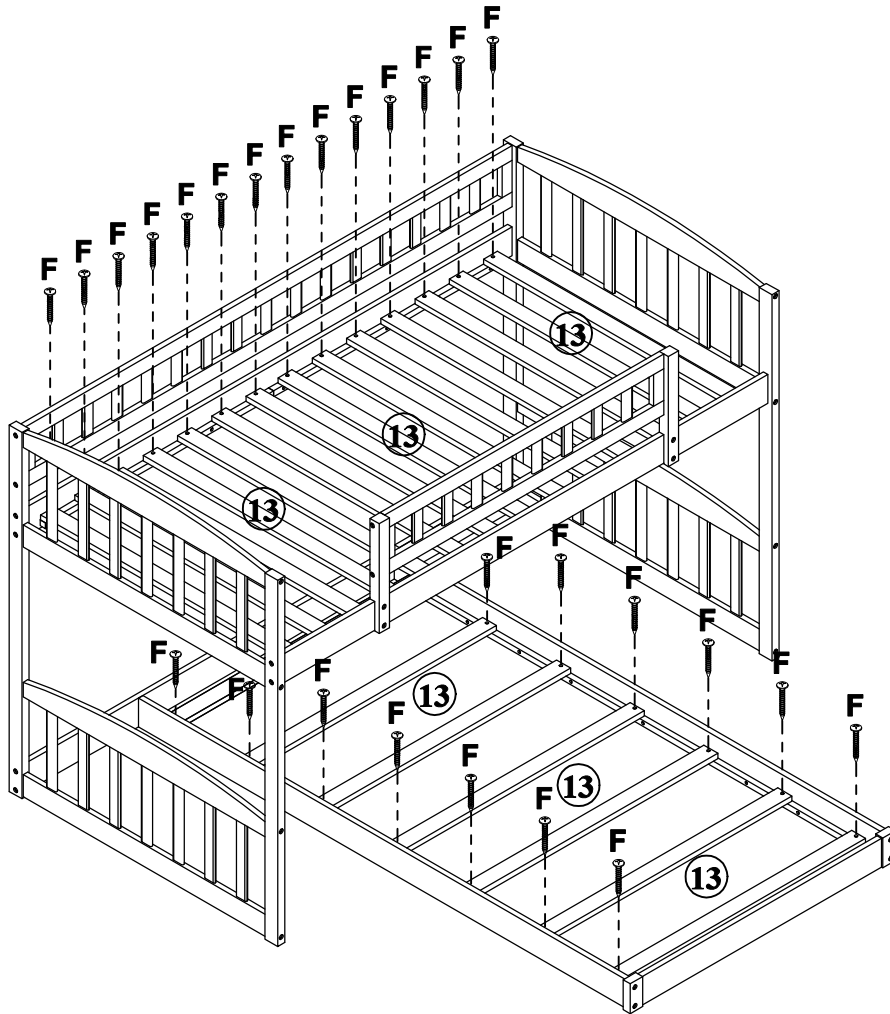


STEP: 6


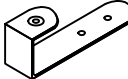


F

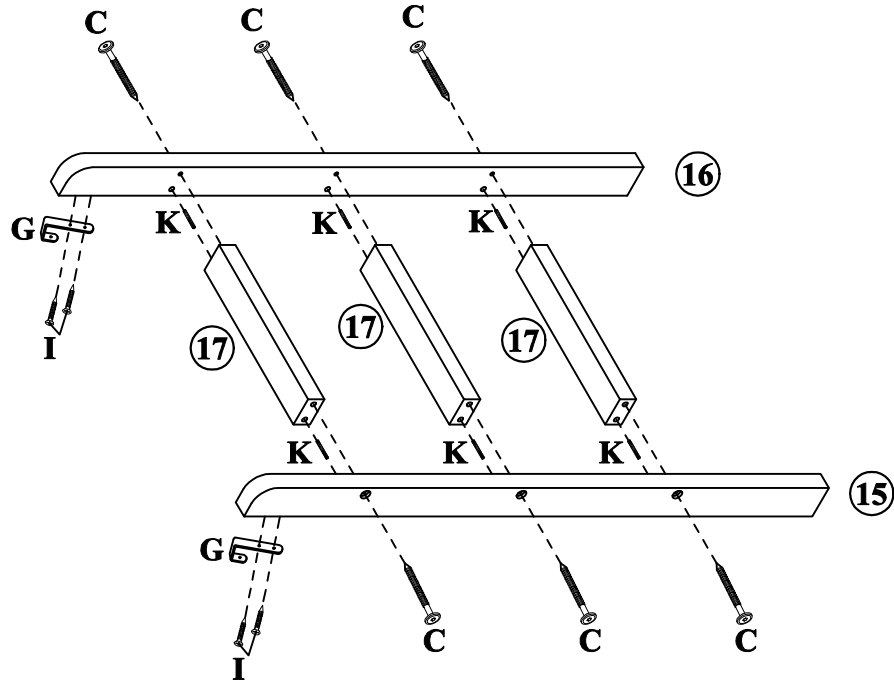


42PCS



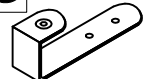



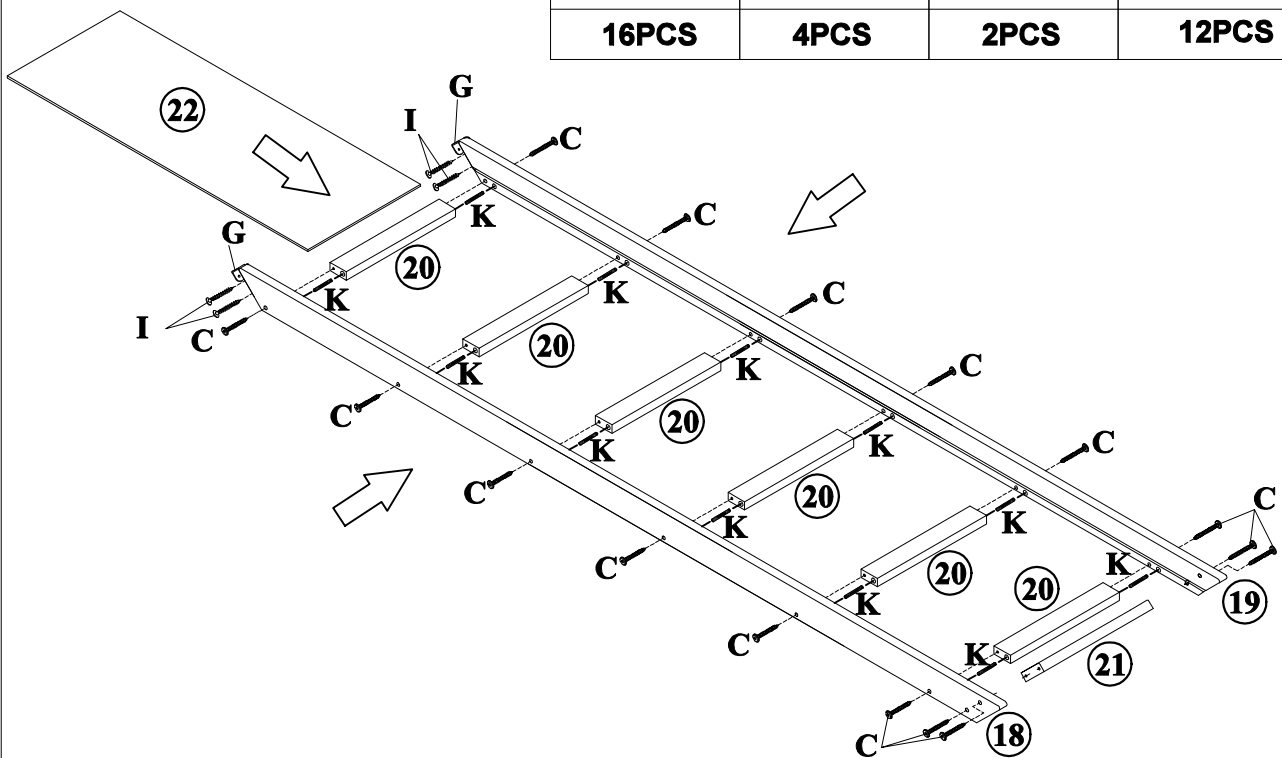
STEP: 7

I		G		C		K	
4PCS		2PCS		6PCS		6PCS	


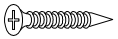


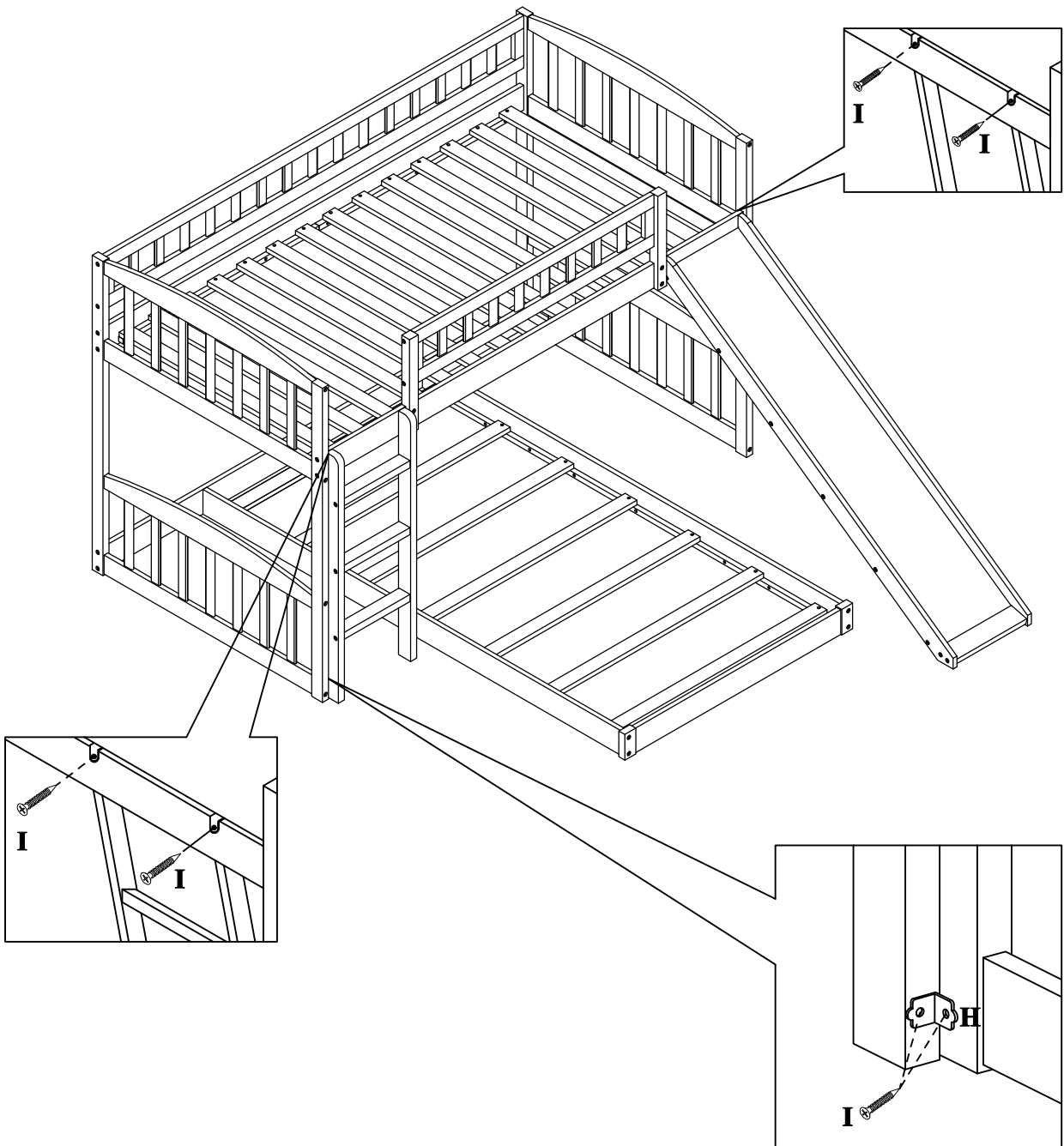
STEP: 8

C		I		G		K	
16PCS		4PCS		2PCS		12PCS	



STEP: 9

H		I	
	1PC		6PCS



STEP:10

