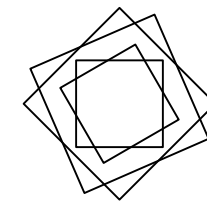
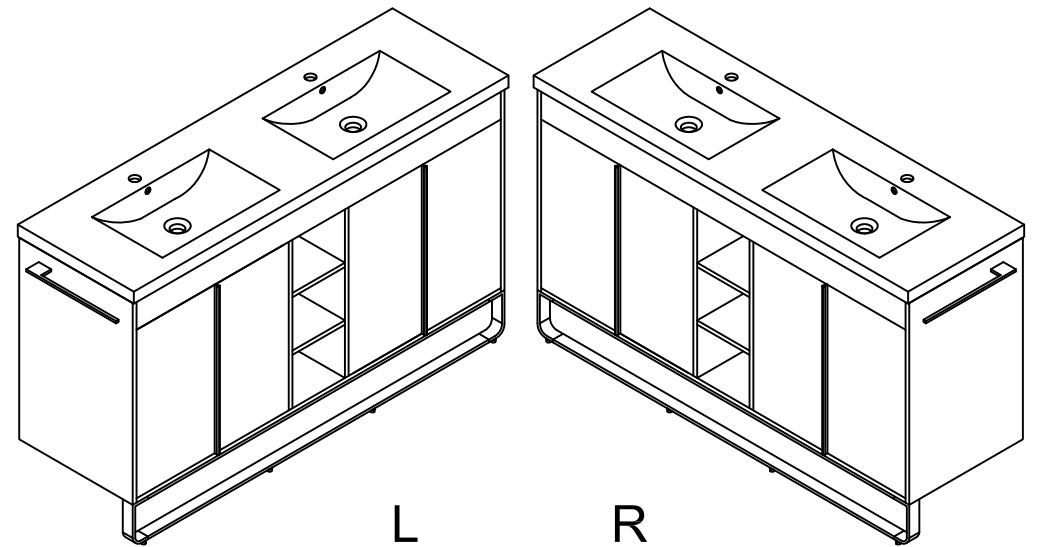


## THANKS FOR WATCHING

Your feedback is invaluable to us and we would love to hear about your experience. Please take the time to leave us a review.



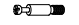
















**Thank you for shopping with us!**

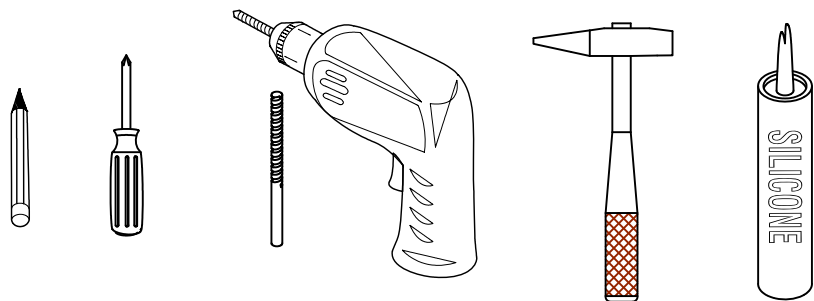
We encourage you to take a few minutes to go through this booklet. It contains important information on installation and care tips to keep your furniture looking as good as new.

# Item NO.:BV B12960D

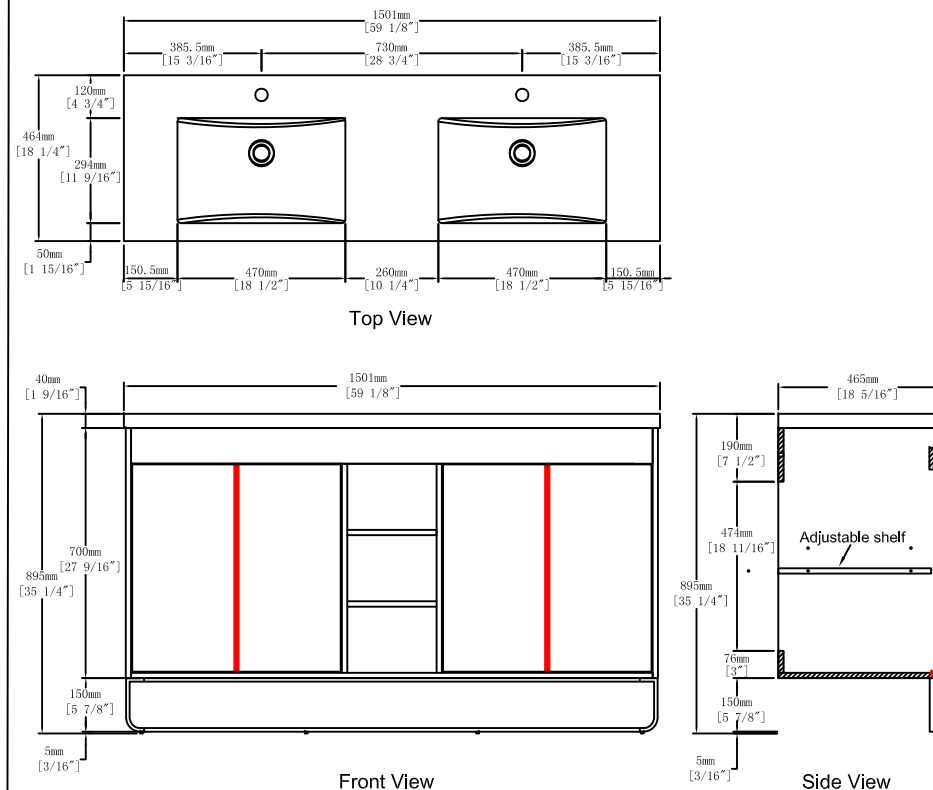
## Hardware

NO.	Draw	QTY	NO.	Draw	QTY
A	 Screws Ø4x14mm	80	K	 Handle(L580mm) Ø4*14mm	4
B	 Two-in-one connector	53	L	 Metal tripod (L1488mm) M4*20mm	1
C	 Two-in-one connector	53	M	 Towel rack	1
D	 Wood plug	14	N	 Screws M4x18mm	2
E	 Plastic anchor(Ø10mm)	4	O	 Movable laminate support	8
F	 Screws for fix on the wall	4	P	 Anti-collision gasket	4
G	 Bracket (53x70x44mm)	4	Q	 Screwdriver	1
H	 Bracket (19x19x35mm)	2			
I	 Hinges(Internal hiding)	8			
J	 Door stopper	4			

## Recommended tools



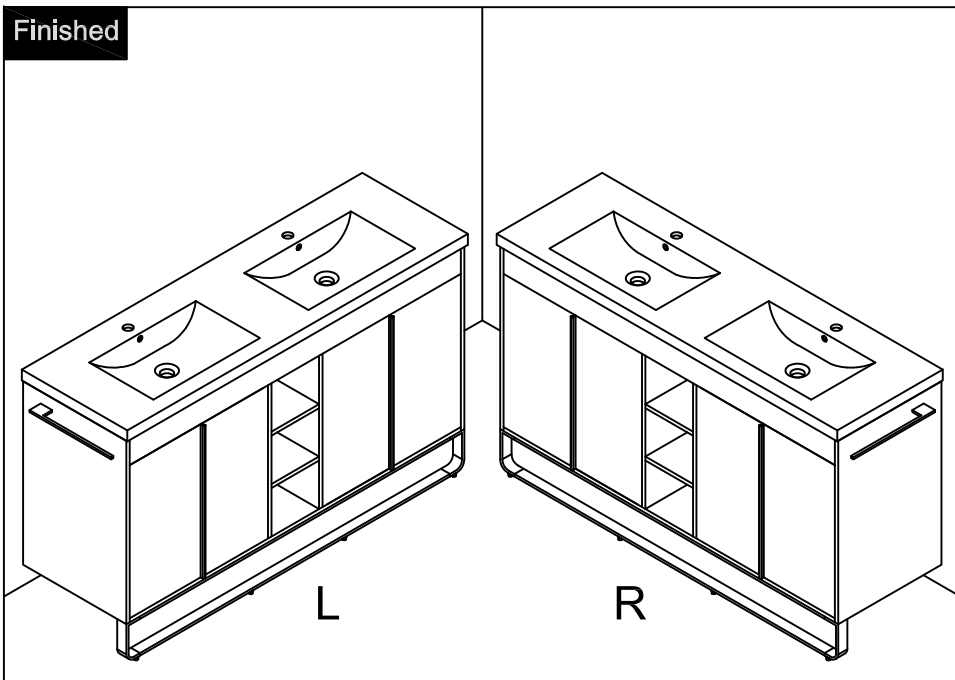
## Dimensions



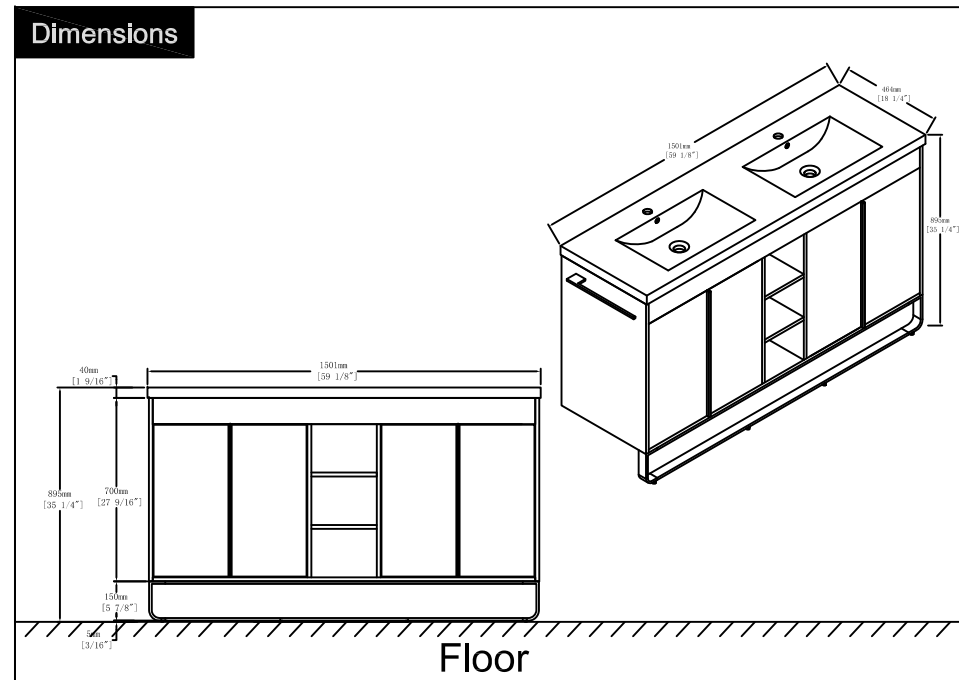
## CARE CLEANING AND MAINTENANCE

1. Dust regularly with a soft, dry cloth.
2. Avoid the use of all chemicals household cleaners, abrasives, or cleaners that contain lemon, vinegar, or other acids that may damage the finish.
3. Excessive exposure to sunlight and extreme changes in temperature and moisture can damage wood furniture.
4. The sink is fragile, please pay attention to maintaining its appearance.
5. Do not place hot appliances, such as curling irons and hot hair dryers directly on the countertop. Wipe spills immediately.

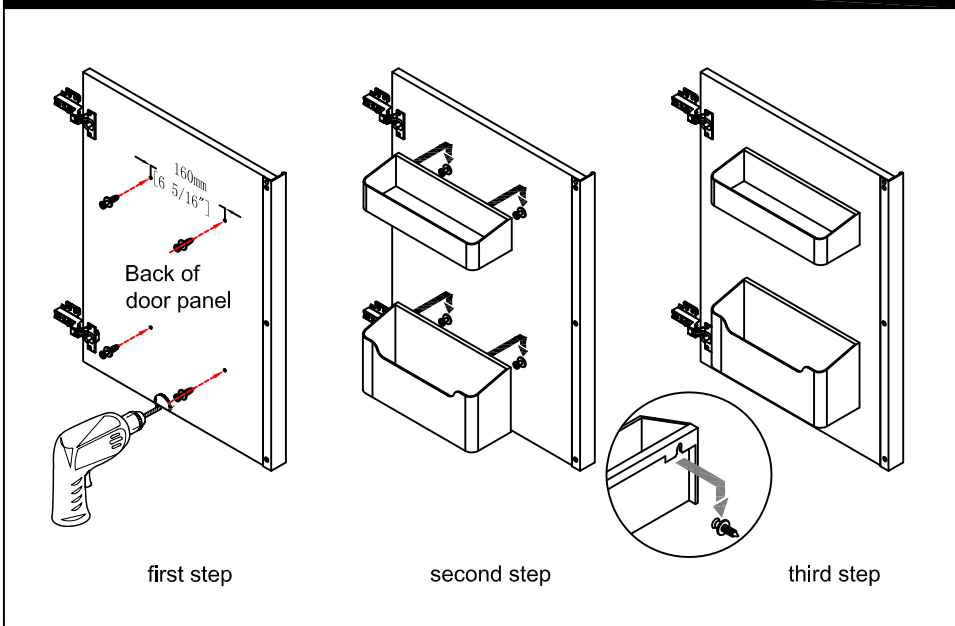
## Finished



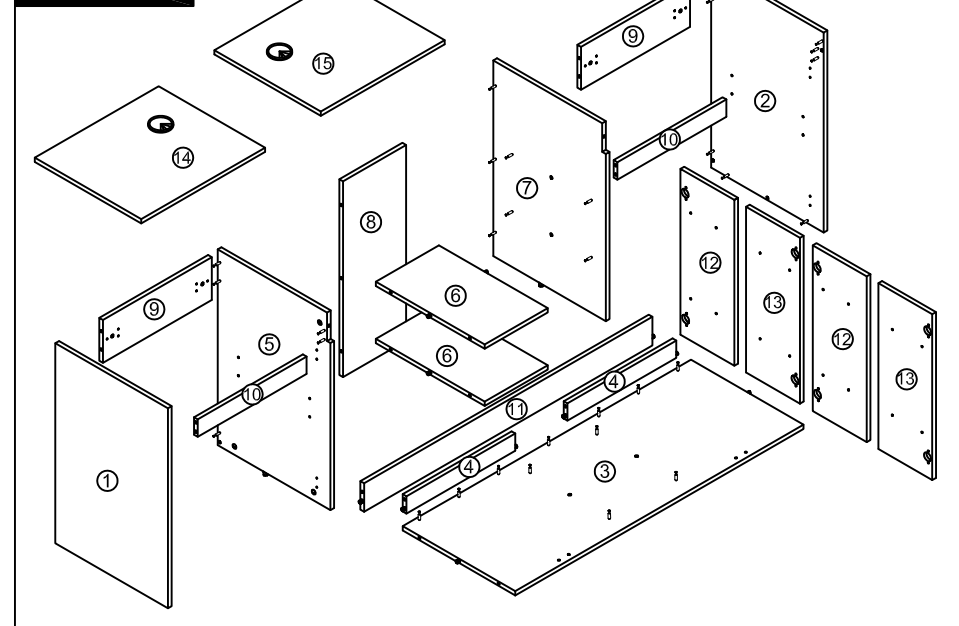
## Dimensions

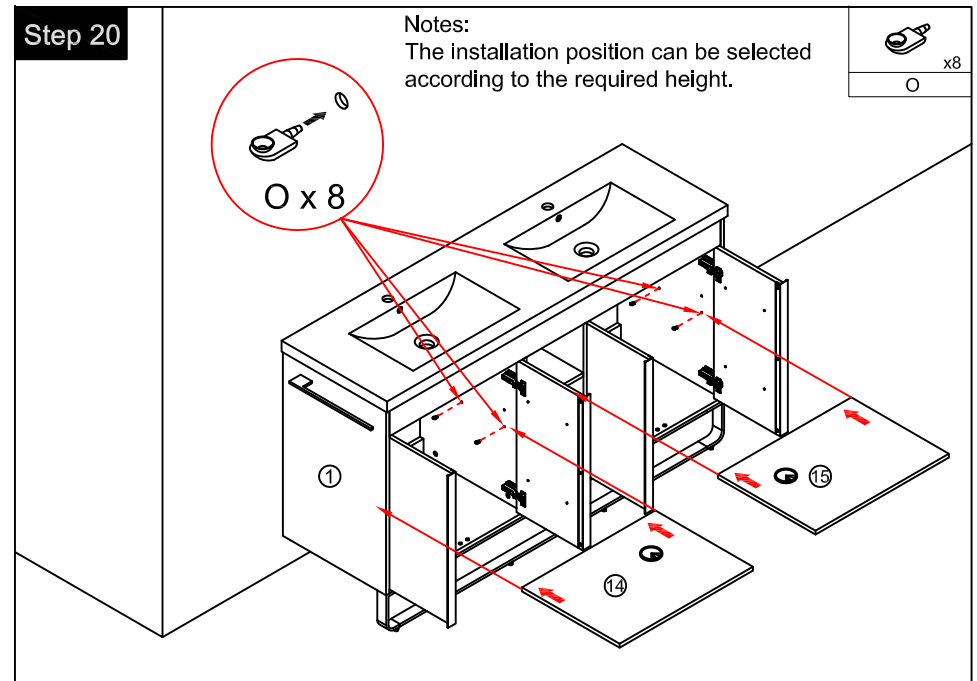
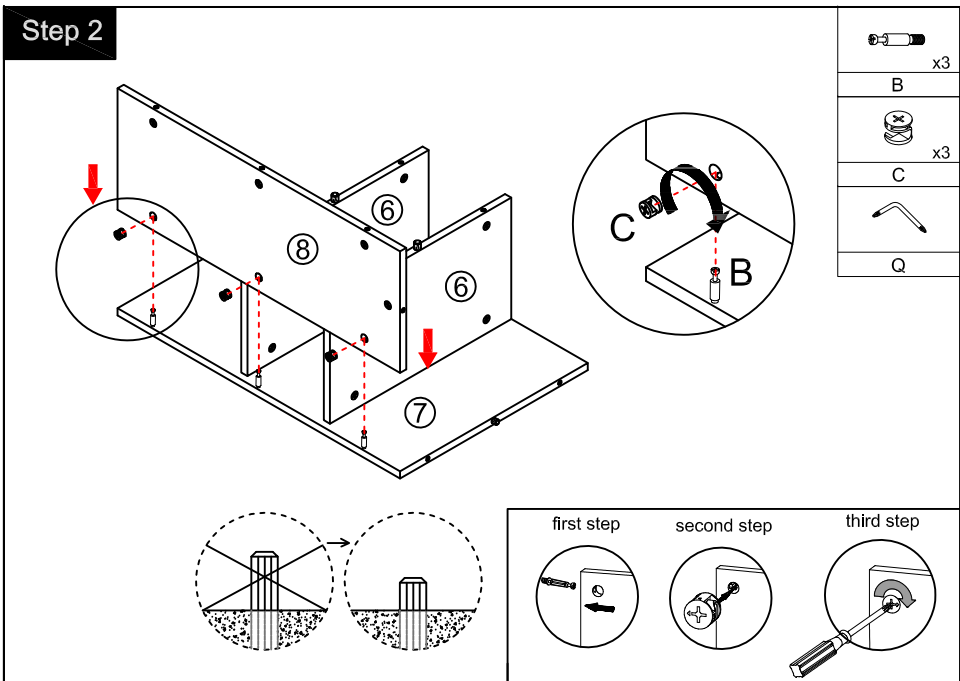
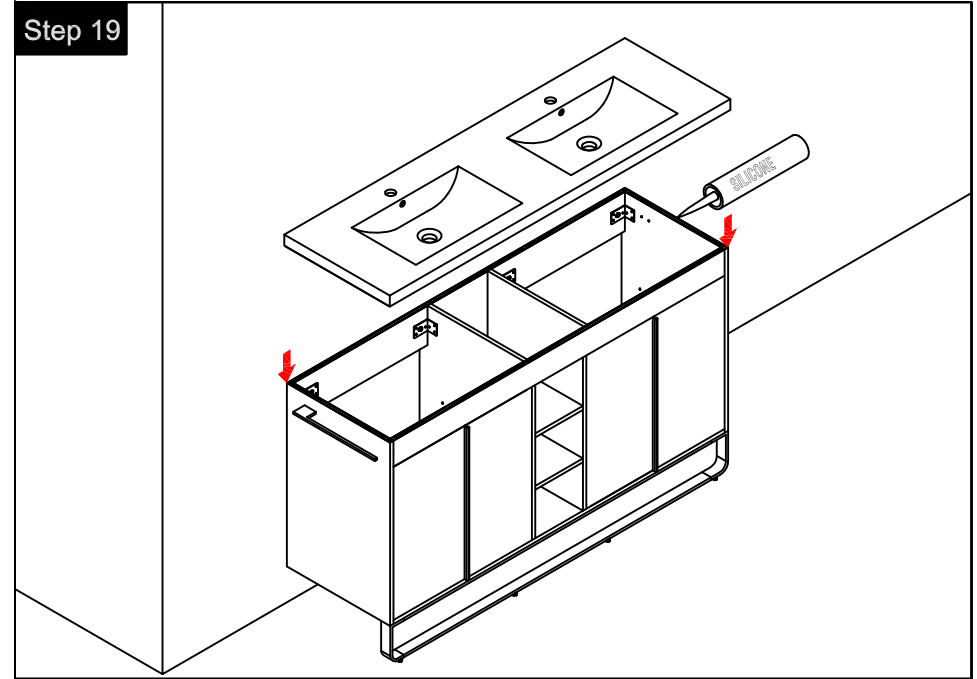
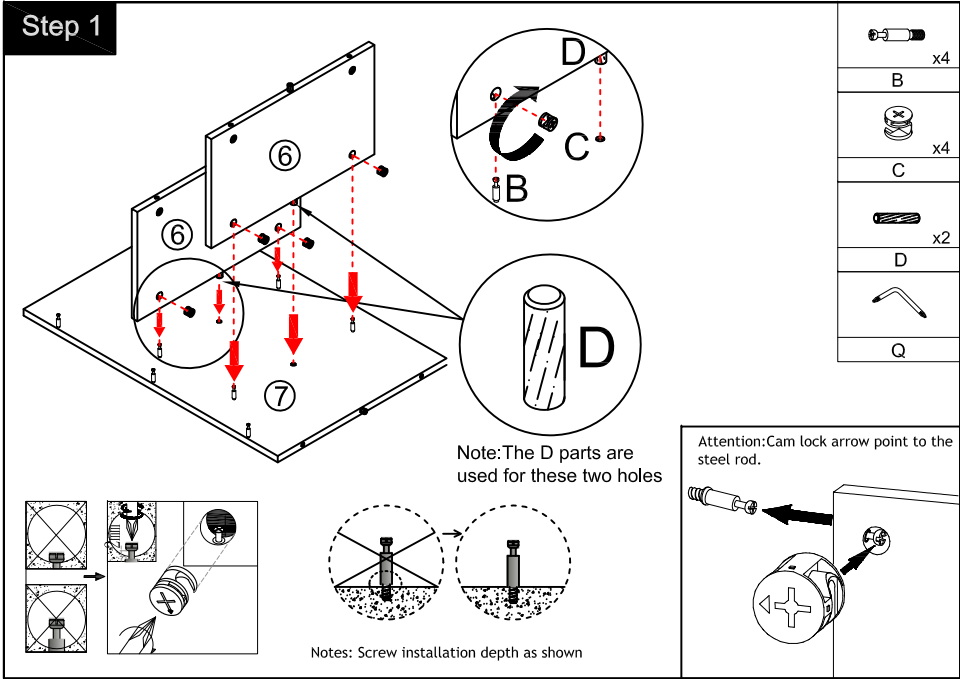


## Procedure for installing the plastic box



## Components





**Step 17**

Hidden hole for towel rack installation

Tool

Use a 5mm drill bit to drill through the hidden holes on the inner side of the side panel according to the installation direction you need.

**Step 18**

M x1 N x2 (M4 x 18mm) Tool

L R

Just tighten the screws inside the towel rack according to the hole position.

**Step 3**

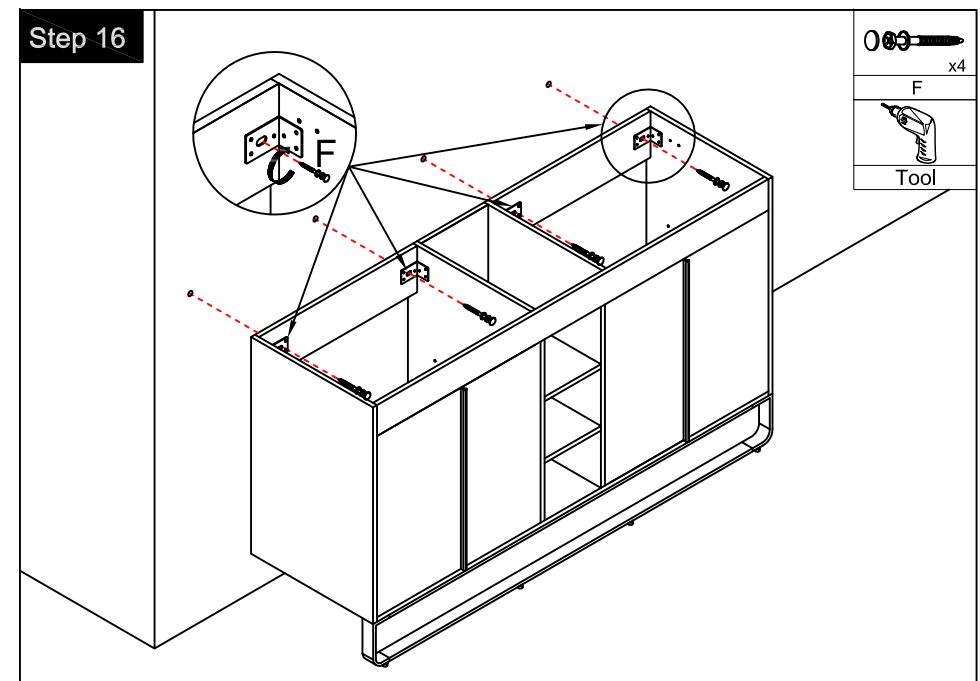
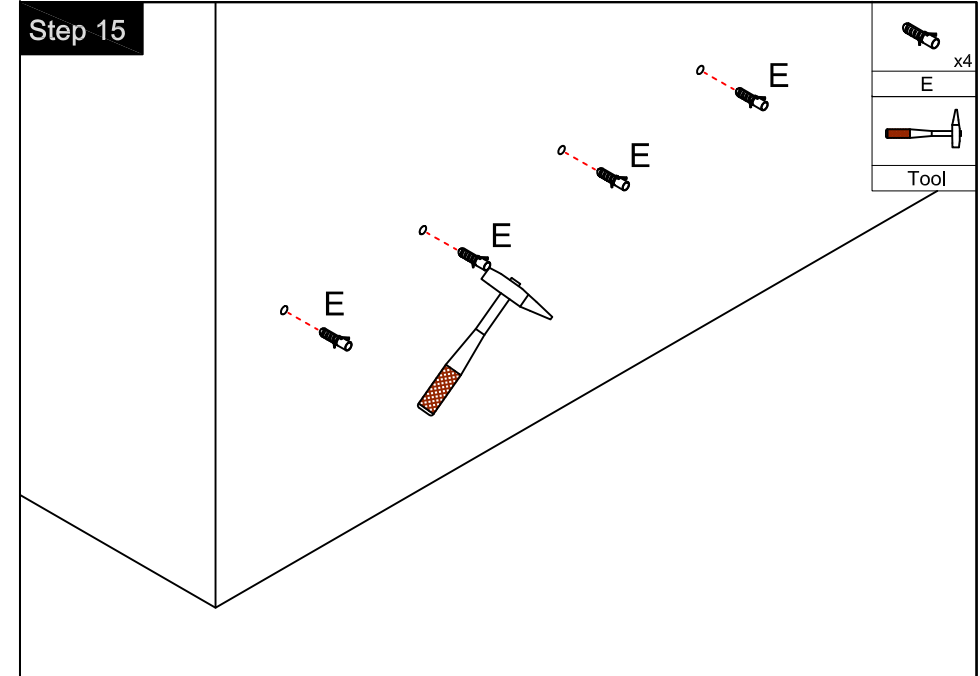
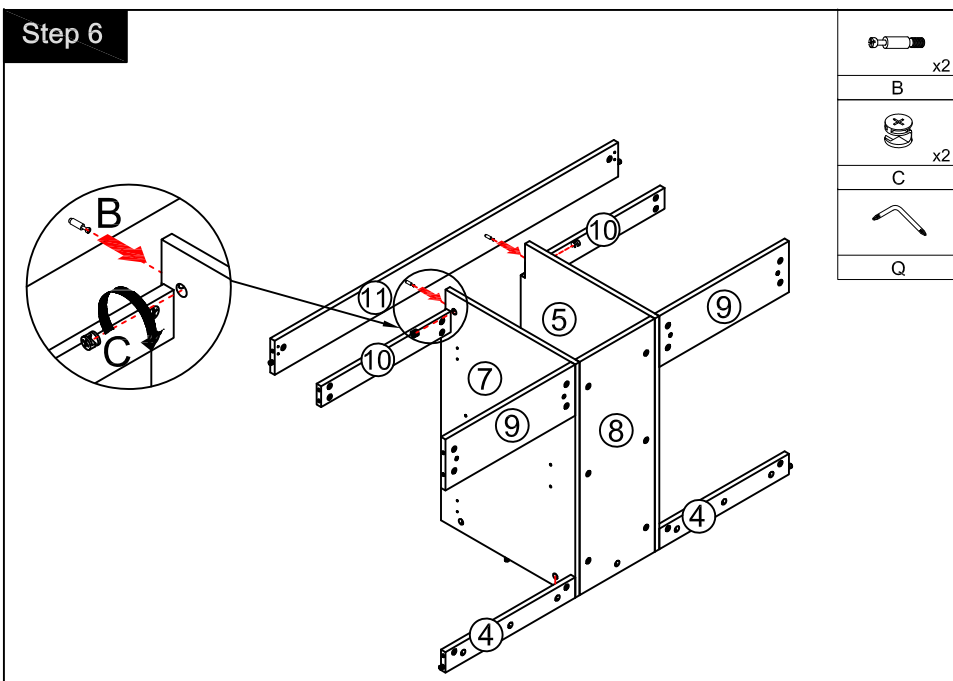
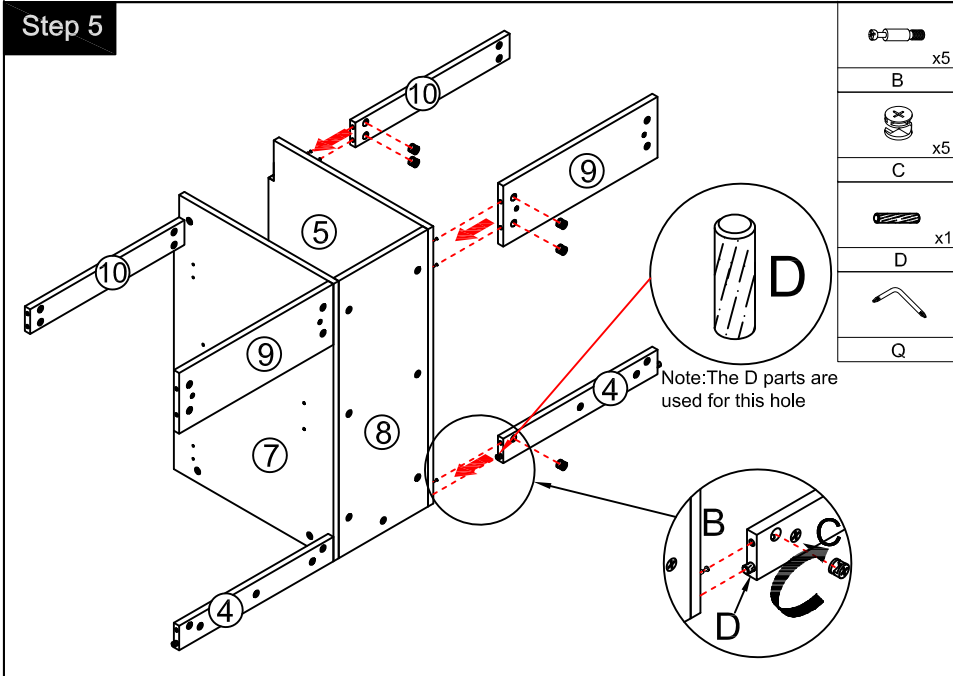
B x7 C x7 D x2 Q

Note: The D parts are used for these two holes

**Step 4**

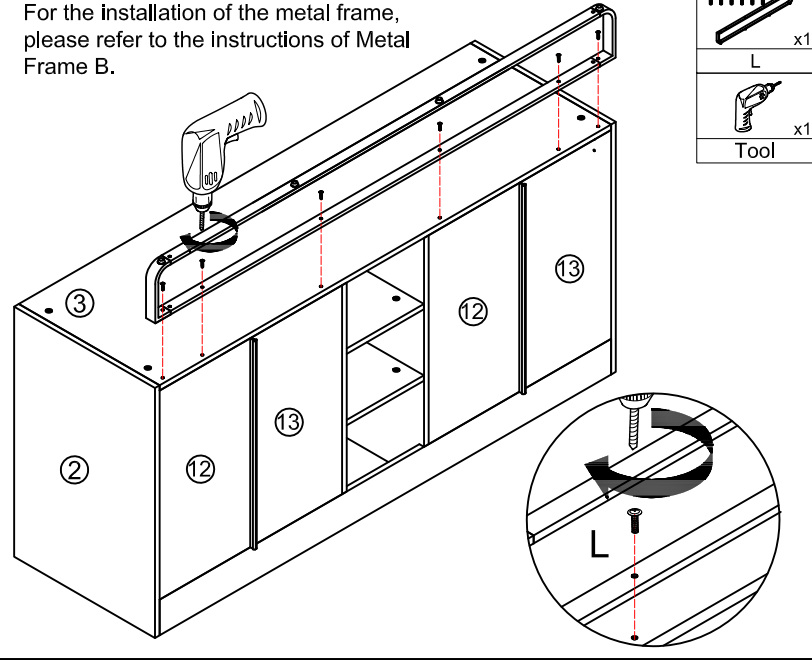
B x5 C x5 D x1 Q

Note: The D parts are used for this hole

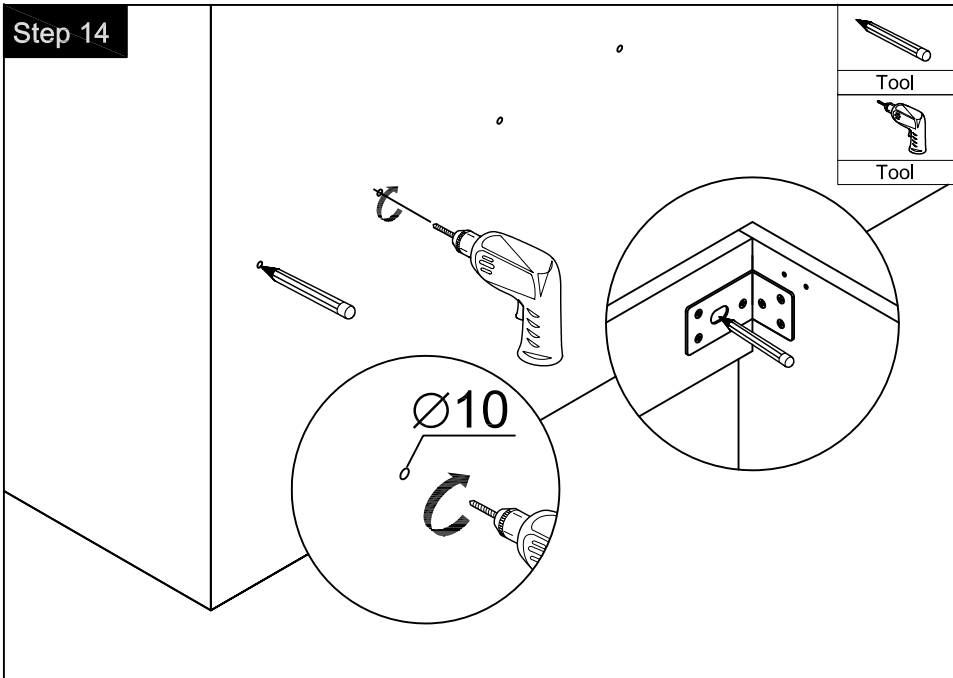


### Step 13

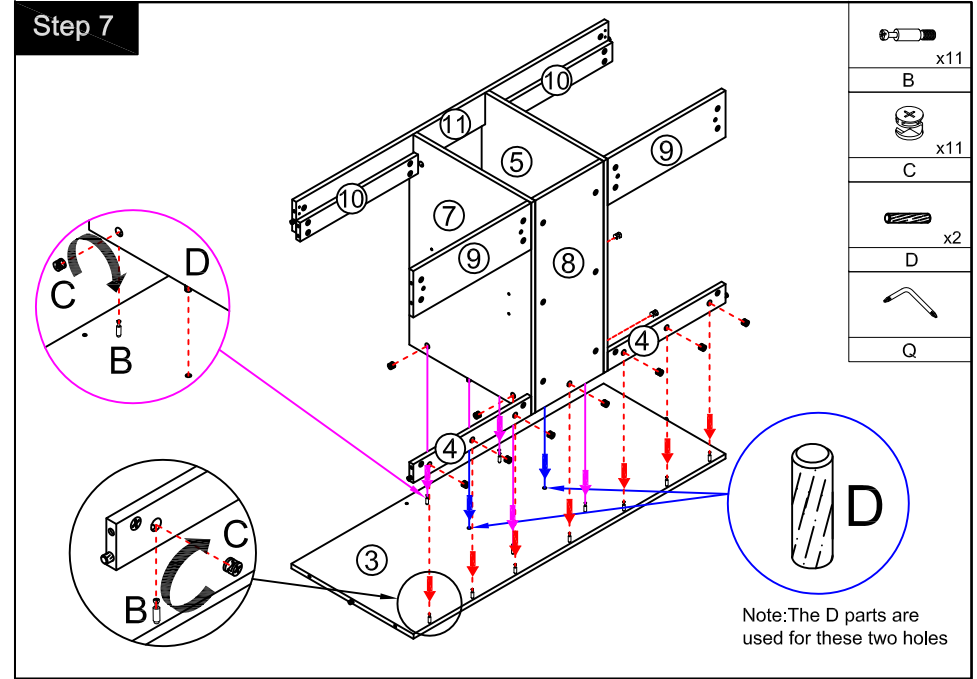
For the installation of the metal frame, please refer to the instructions of Metal Frame B.



### Step 14



### Step 7



### Step 8

