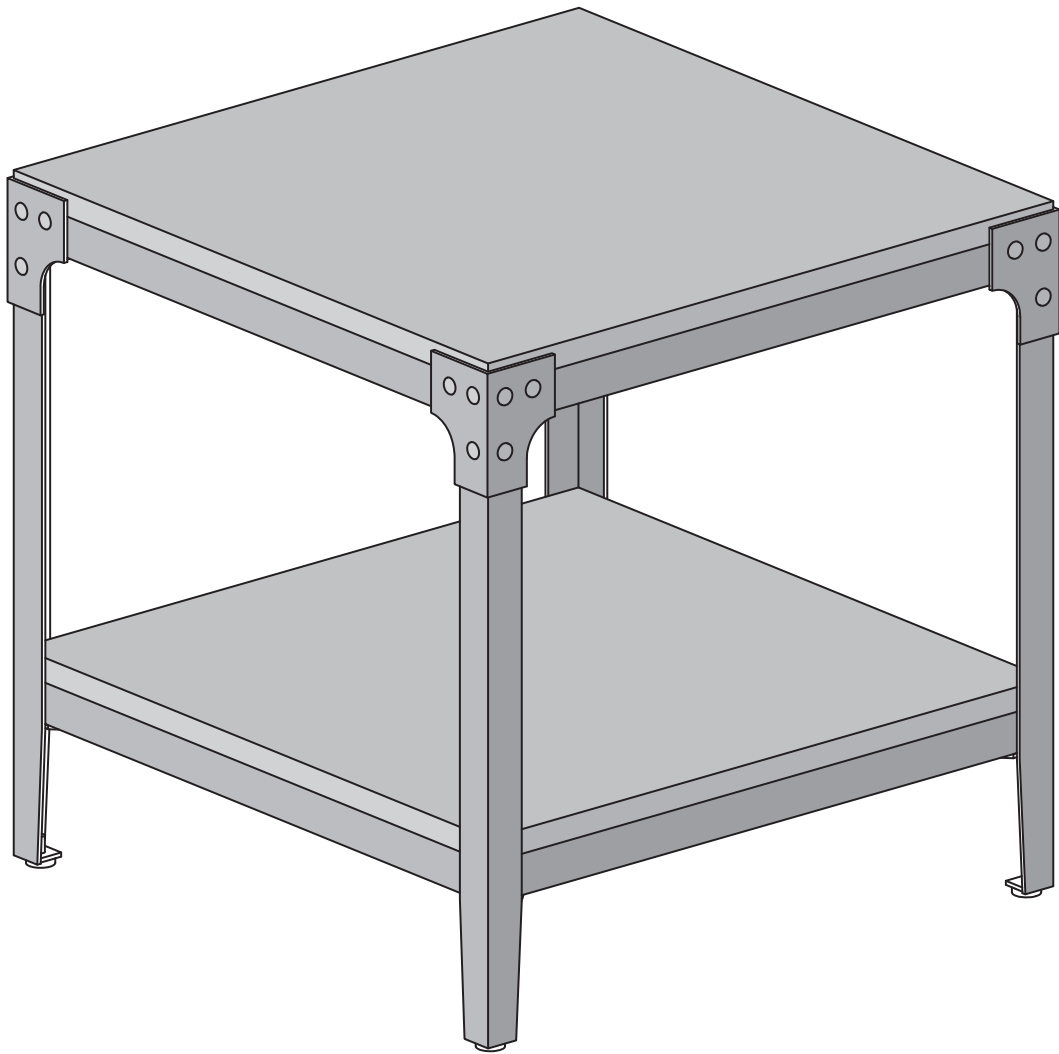
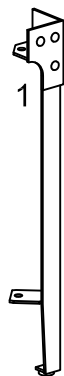
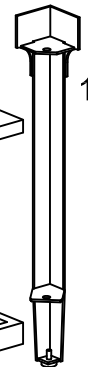
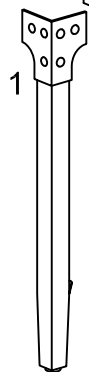
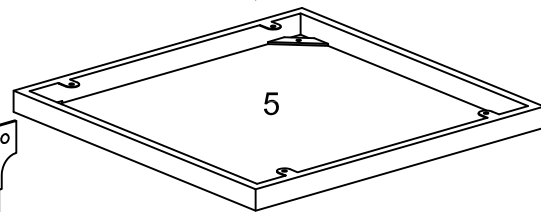
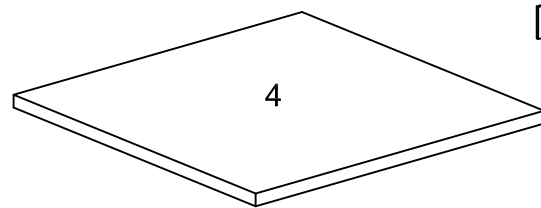
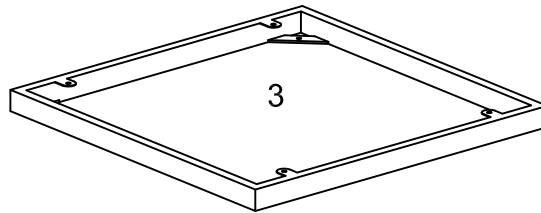
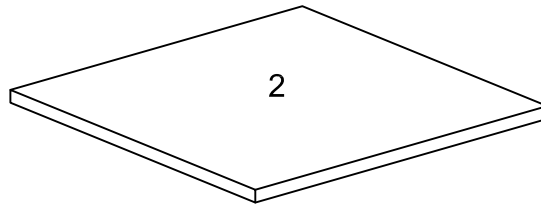


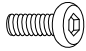
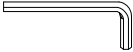
# Assembly Instructions



# Parts List

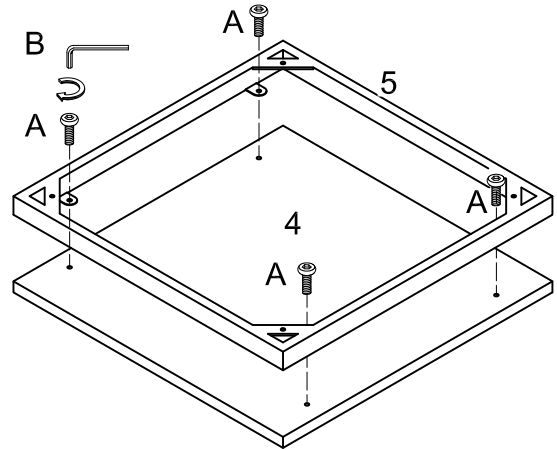
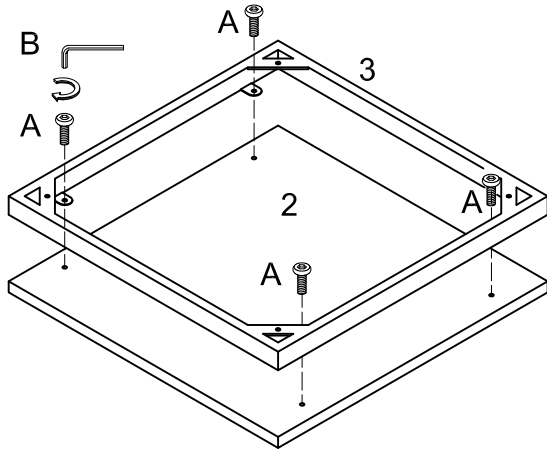


# Hardware List

A		Ø1/4"x12mm	Bolt	32 pcs
B		M4mm	Wrench	1 pc

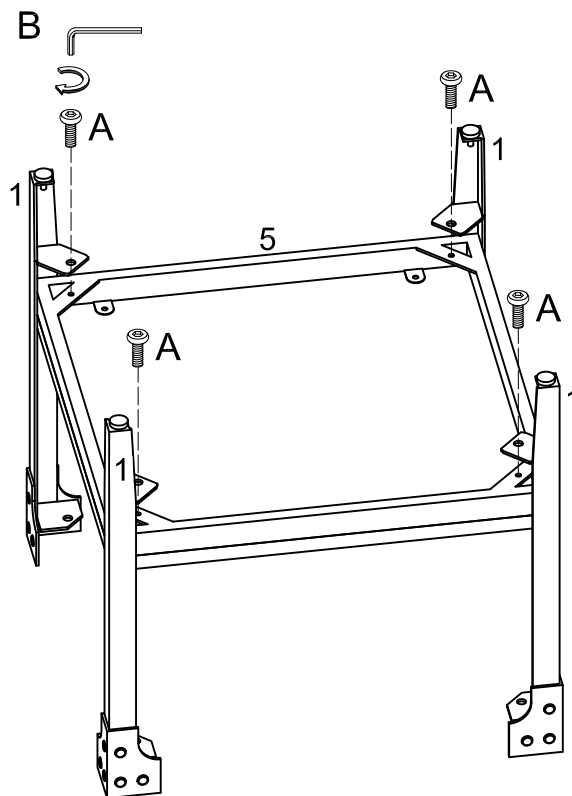
*The hardware quantities listed above are required for proper assembly.  
Some extra hardware may also have been included.*

# Step 1



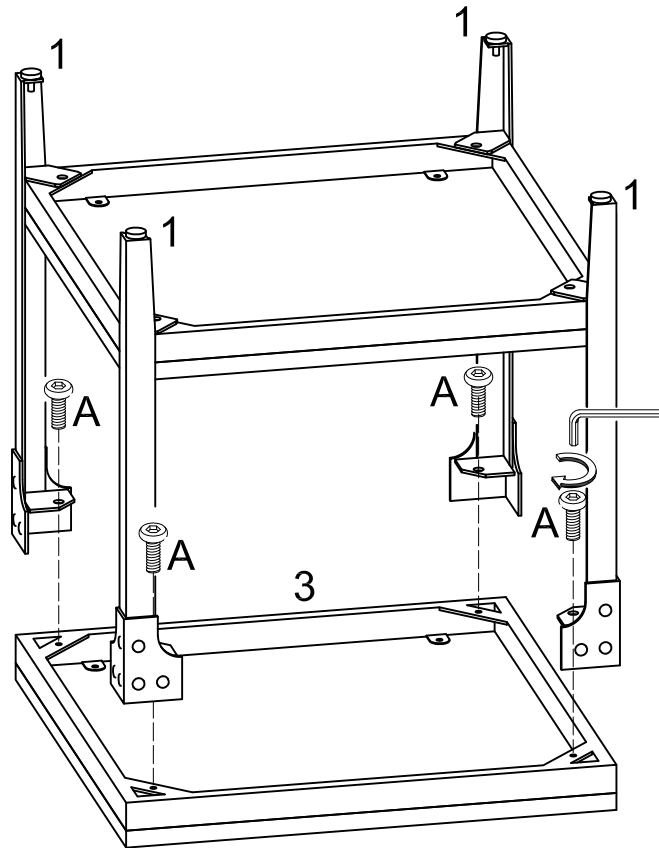
Secure wood panel (2) to frame (3) and wood panel (4) to frame (5) using bolts (A) as shown.

# Step 2



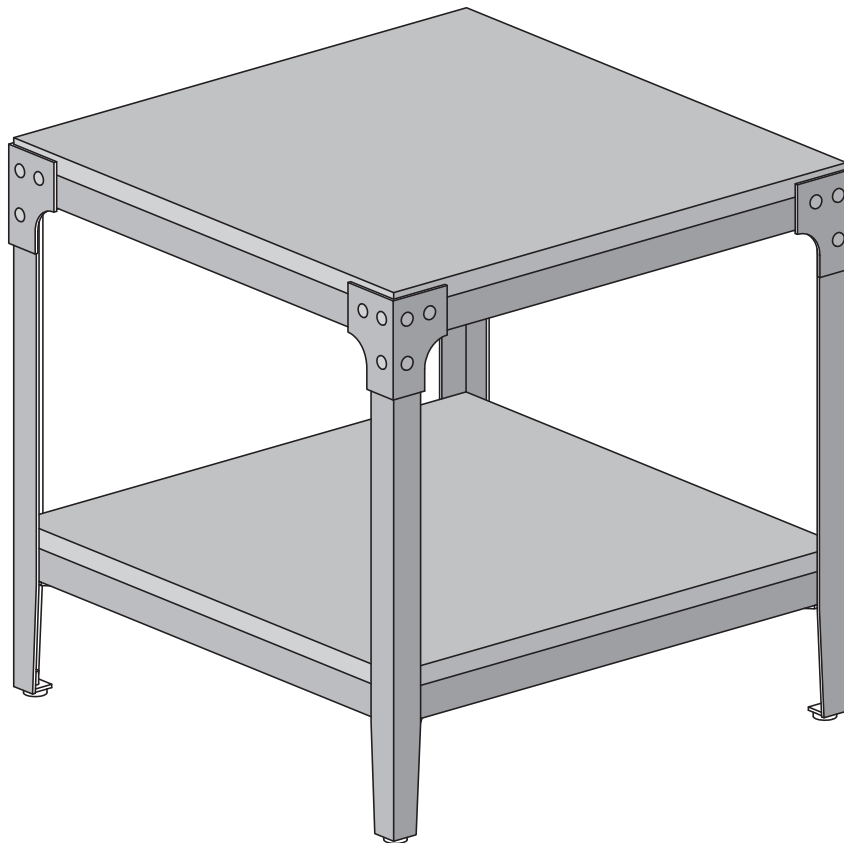
Attach legs (1) to frame (5) using bolts (A) as shown in the diagram.

## Step 3



Attach frame (3) to legs (1) using bolts (A) as shown.

## Step 4



Final Assembly