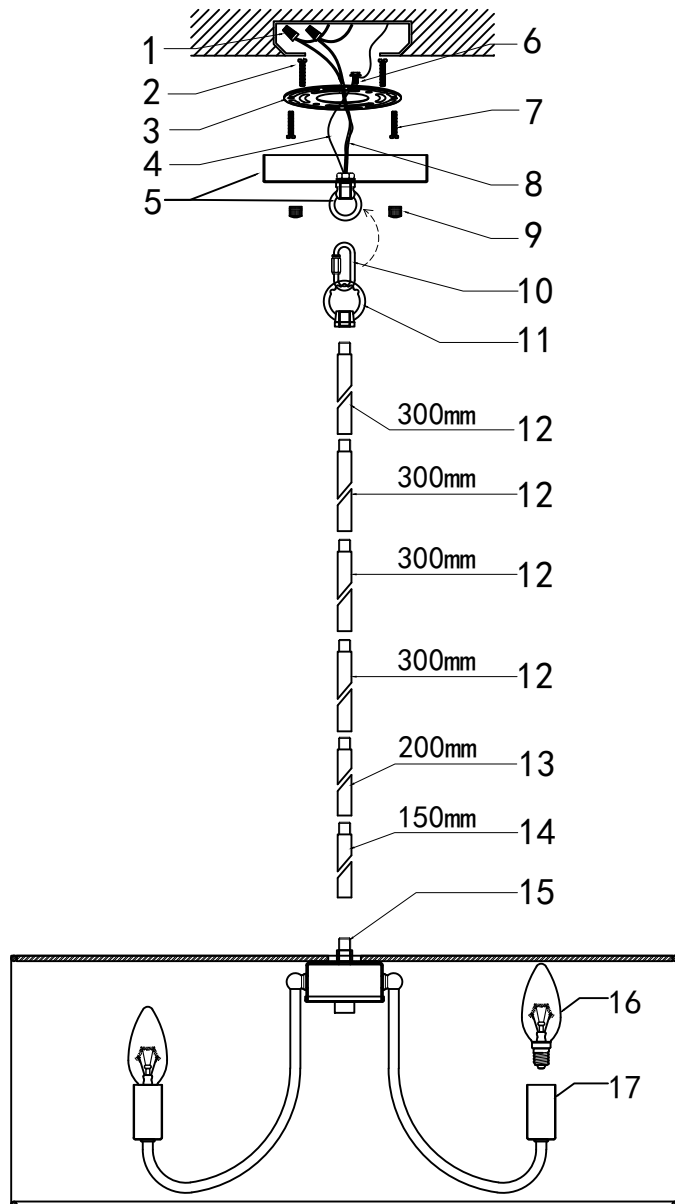


Assembly & Installation Instructions



PREPARATION before INSTALLATION:

1. If an existing fixture is being replaced, remove it and note to which wire in the outlet box the original fixture was attached.
2. Before discarding the carton, double-check the packaging to make sure all parts have been found.
3. This fixture was designed to be mounted on an octagon outlet box. The box must be securely mounted to the structure of the building.

IMPORTANT:

1. **WARNING** - Disconnect power before relamping or wiring the fixture. Turn off the entire electrical circuit to which the lighting fixture is attached.
2. Installation and maintenance of this fixture should be completed by a licensed electrician.
3. Failure to install the fixture correctly could result in serious injury or death.
4. Read all instructions before starting installation.

INSTALLATION STEPS:

- A. Pass the main wire (8) and ground wire (4) of the light fixture through short straight tube (14), medium straight tube (13), long straight tube (12), and the metal loop (11). Then tighten the assembly to the threaded tube (15).
- B. Connect the metal loop (11) to the loop (5) on the canopy using the quick link (10).
- C. Secure the mounting bracket (3) to the junction box with the mounting screws (7).
- D. Connect the wires using the wire cap (1) as follows:
 - Fix POSITIVE wire (L) of main wire (8) to the home LIVE wire.
 - Fix NEGATIVE wire (N) of main wire (8) to the home NEUTRAL wire.
 - Fix the fixture's ground wire (4) and home ground wire to the mounting bracket (3) with the green screw (6).

***Note:** Ensure no wire strands are exposed.
- E. Place the canopy (5) over the screws (2), then secure it with the knob caps (9).
- F. Install the bulbs (16) (not included) into the lamp socket (17).