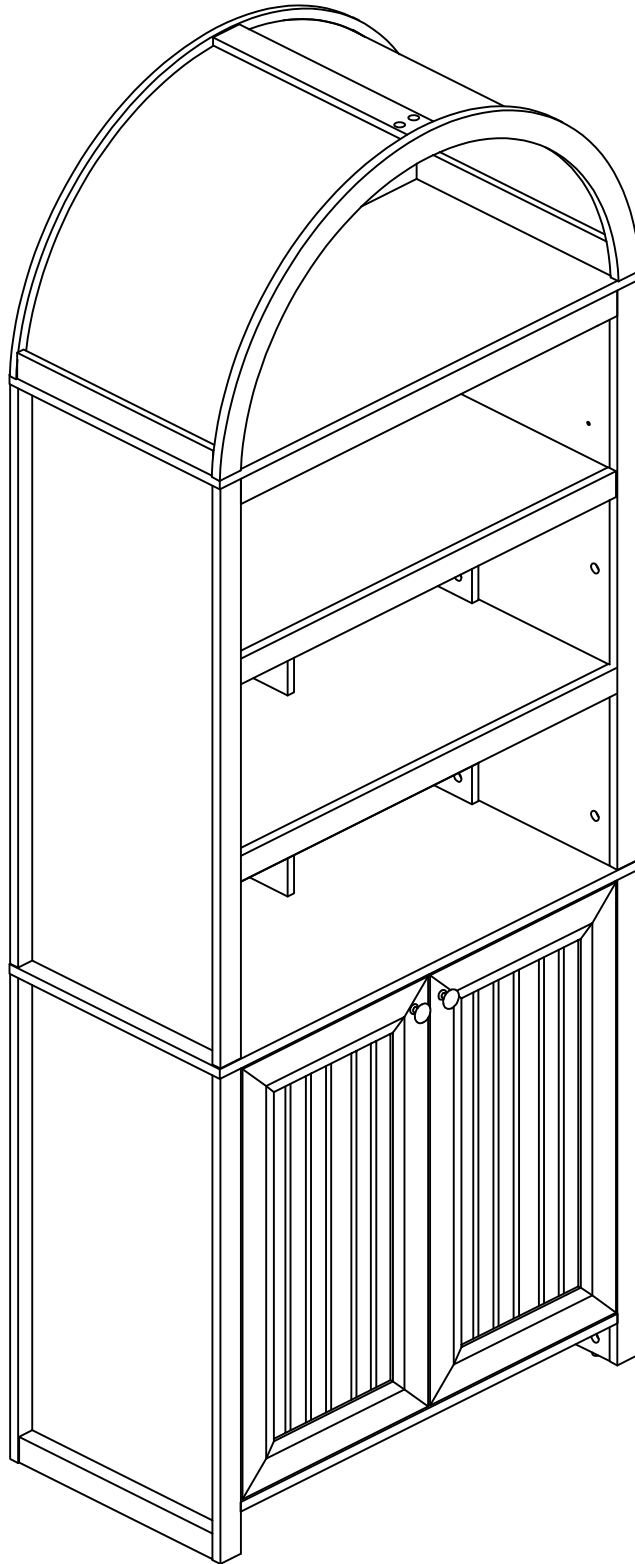


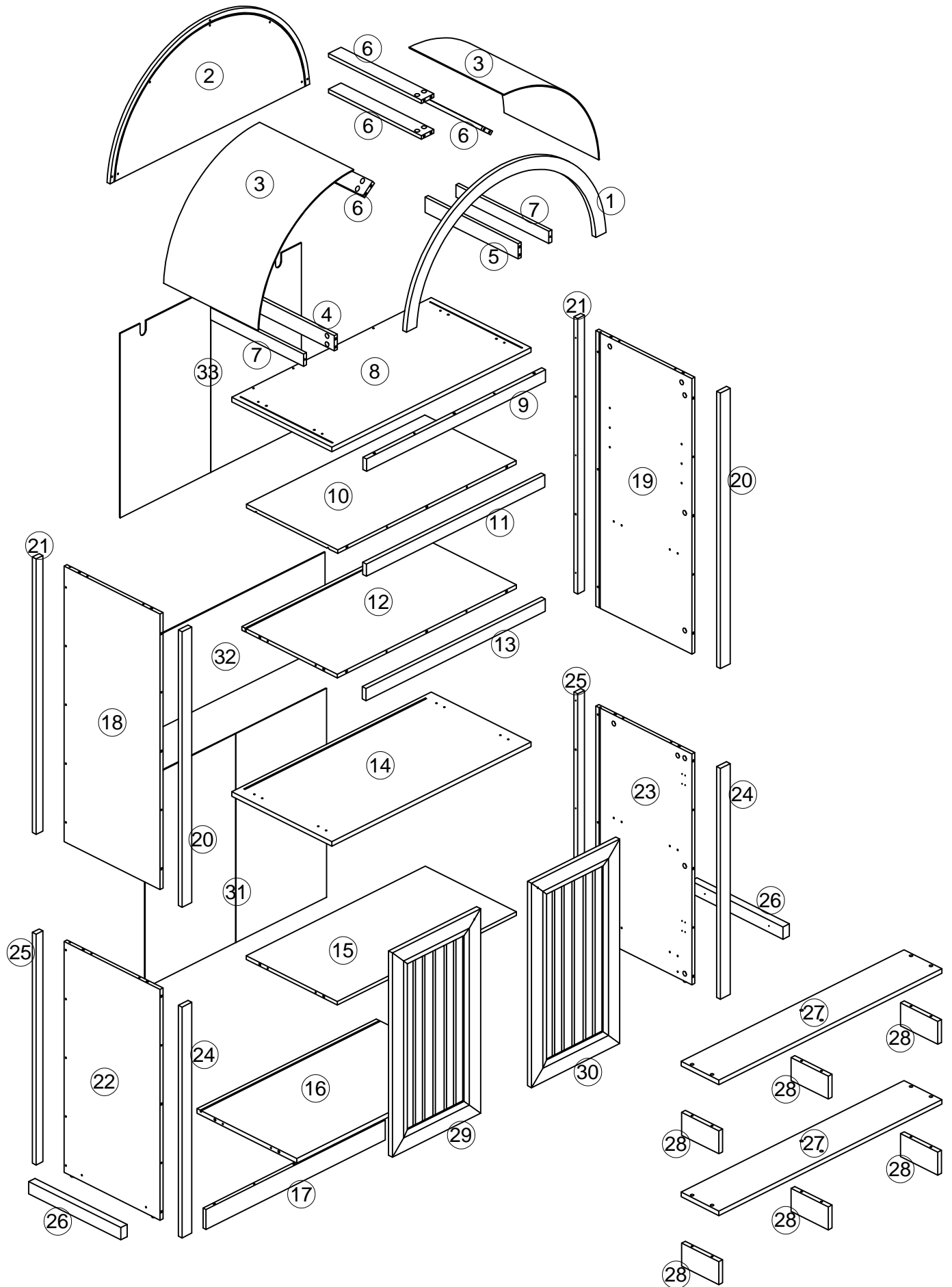
Bookcase




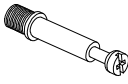

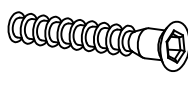
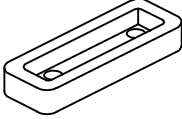
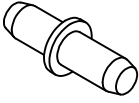
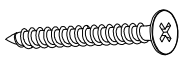
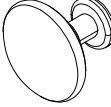
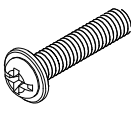
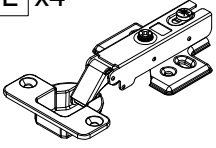
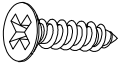
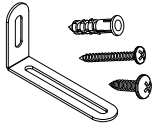
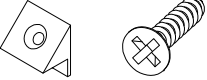


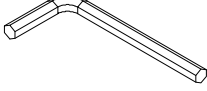
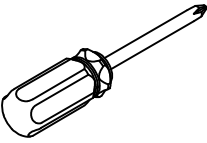
DJ504175-1

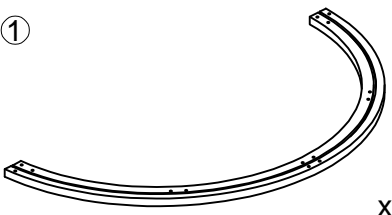
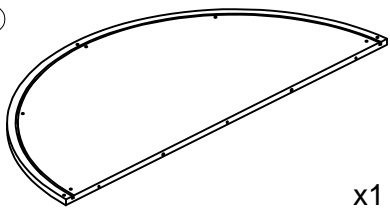
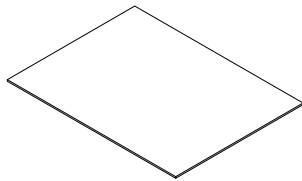
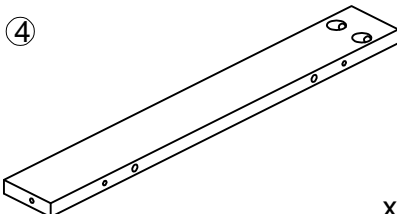
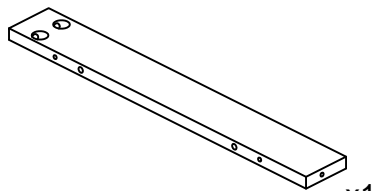
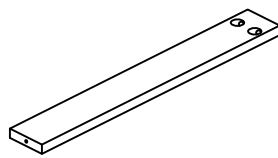
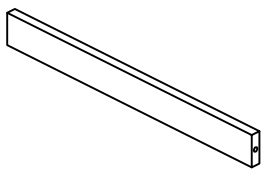
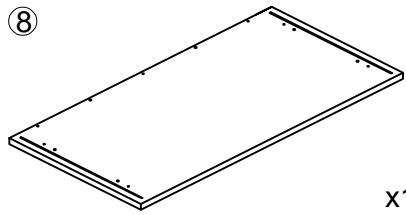
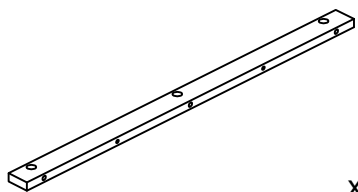
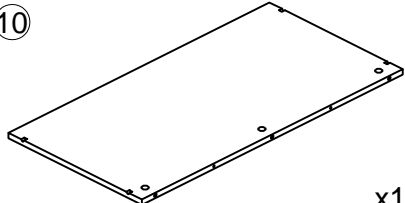
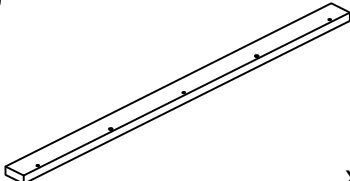
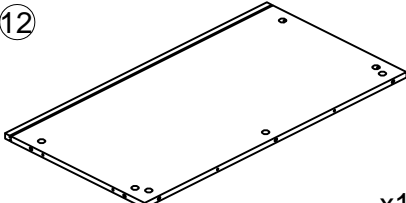
version: 1.0

ASSEMBLY INSTRUCTIONS

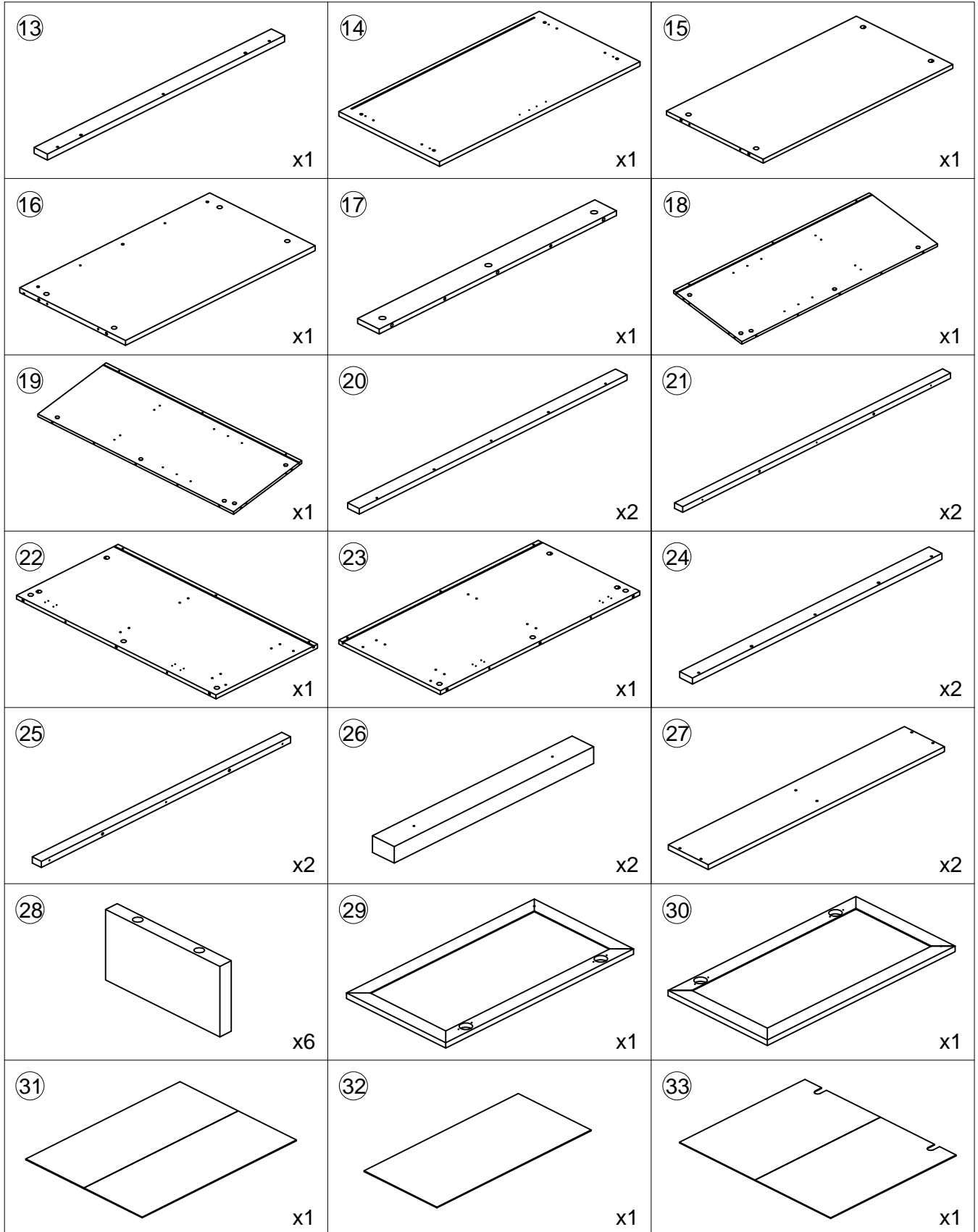


ASSEMBLY INSTRUCTIONS

A x56+2  Ø6x30mm	B x56+2  Ø6x35mm	C x56+2  Ø15x10mm	D x31+3  Ø5x38mm	E x2  37x13x6mm
H x4+1 	I x16+2  Ø8x4x30mm	J x2 	K x2  M4x20mm	L x4 
M x28+2  Ø7xØ3.5x12mm	N x2 	O x22+2  15*14*10mm  Ø6x3x16mm	P x42+3  Ø20mm	 3mm
				

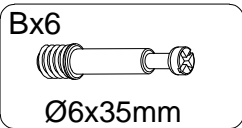
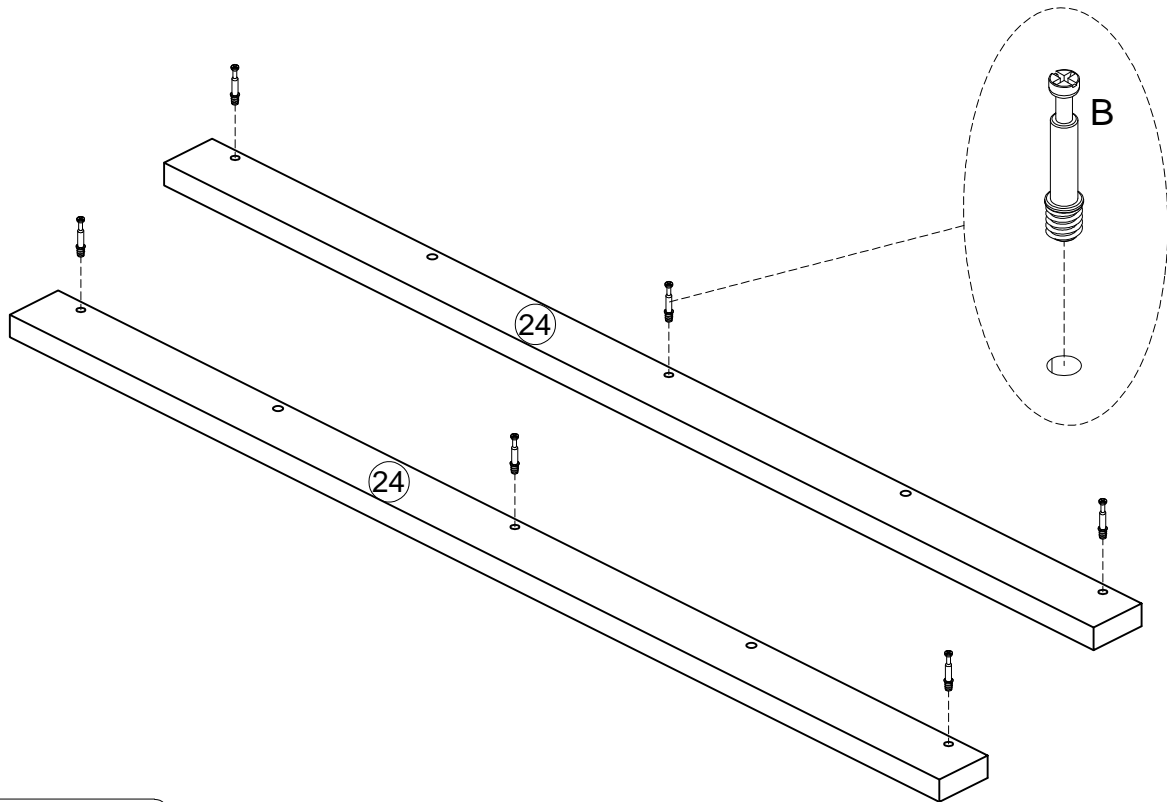
①  x1	②  x1	③  x2
④  x1	⑤  x1	⑥  x4
⑦  x2	⑧  x1	⑨  x1
⑩  x1	⑪  x1	⑫  x1

ASSEMBLY INSTRUCTIONS

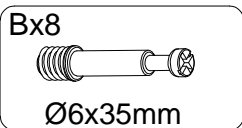
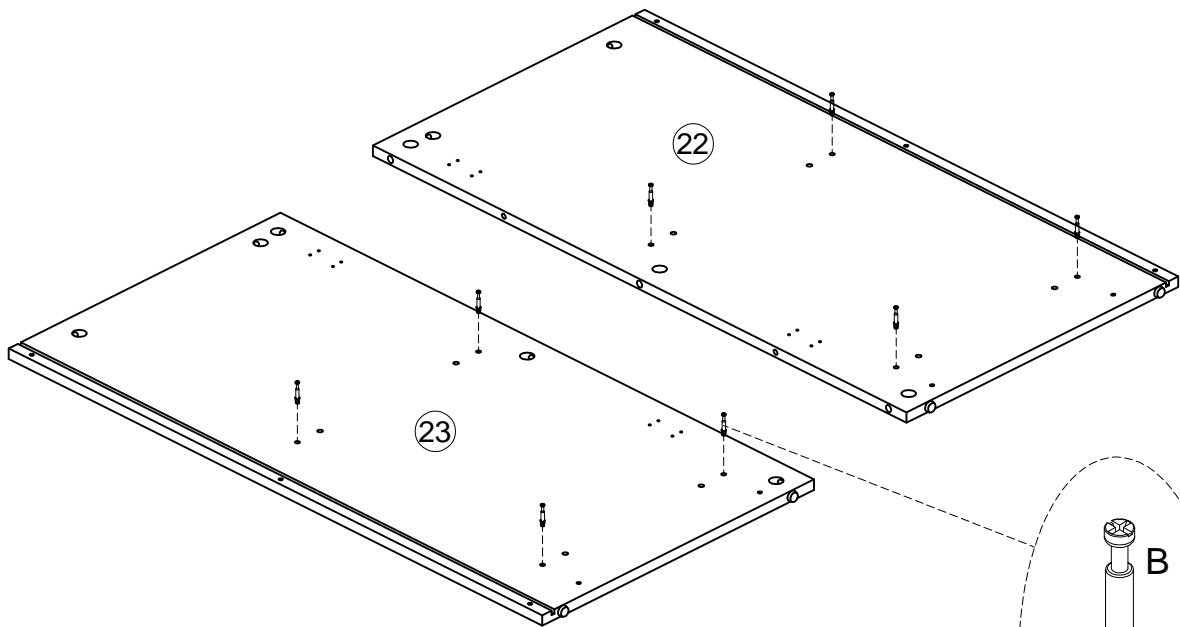


INSTALLATION INSTRUCTION

1

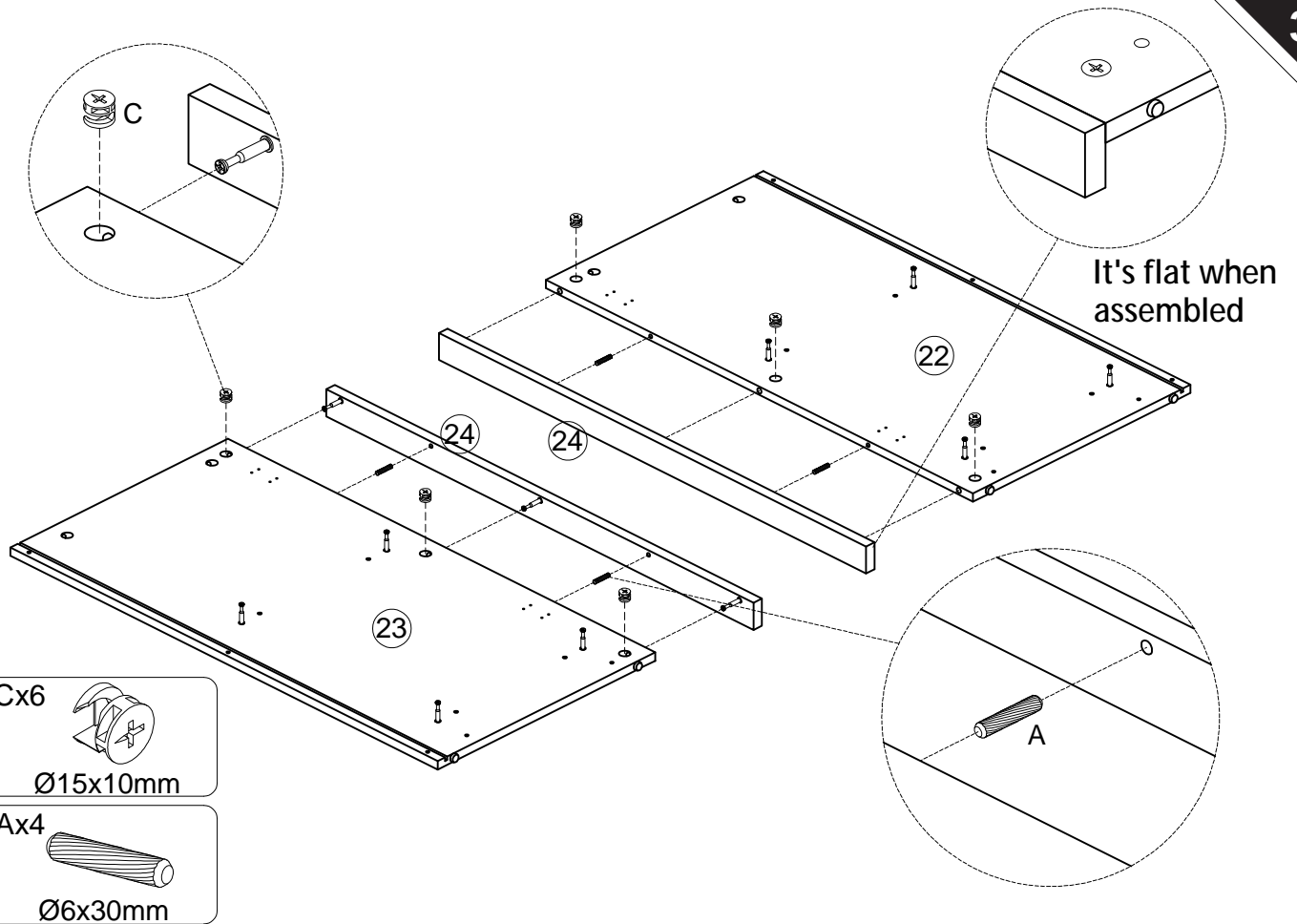


2

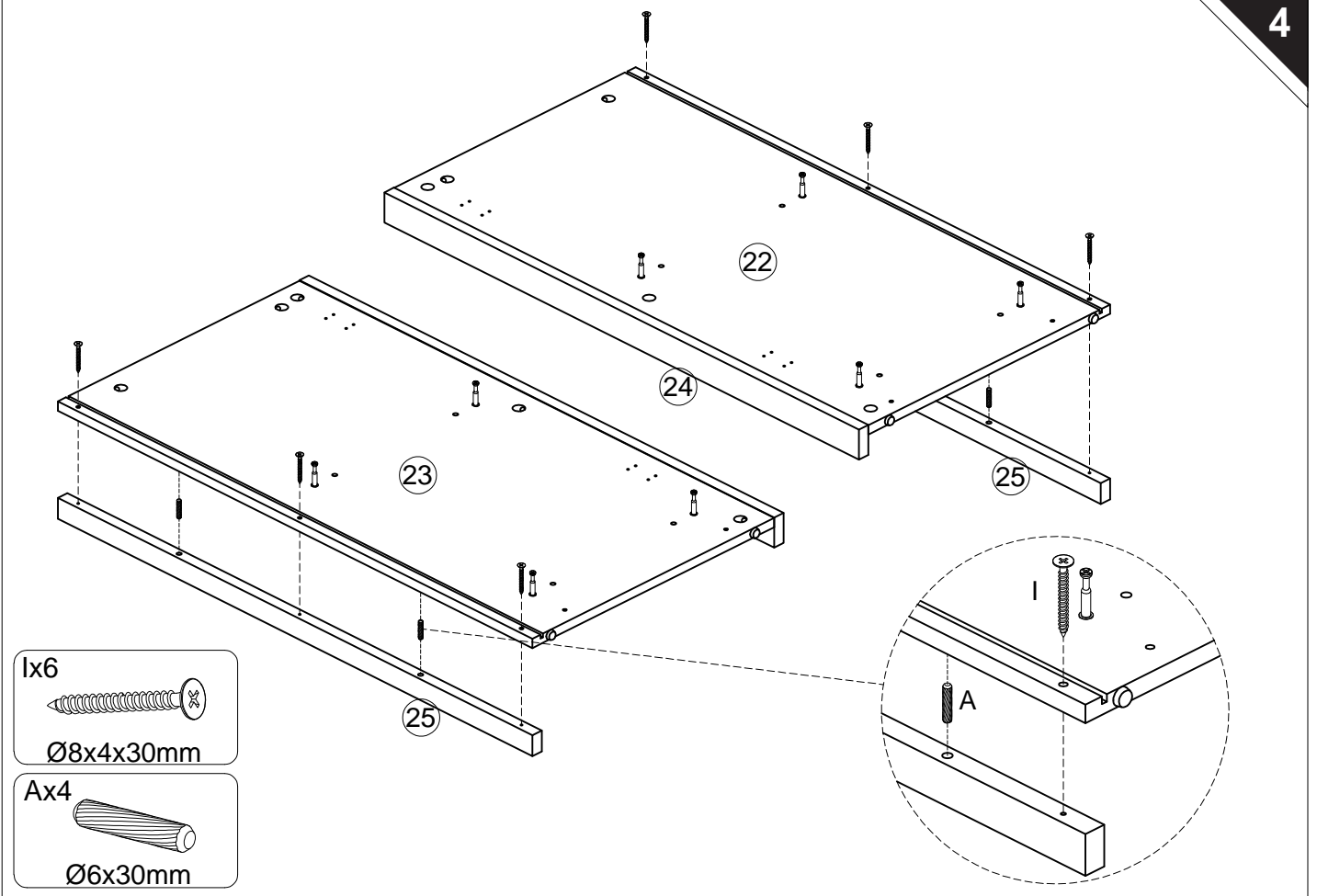


INSTALLATION INSTRUCTION

3

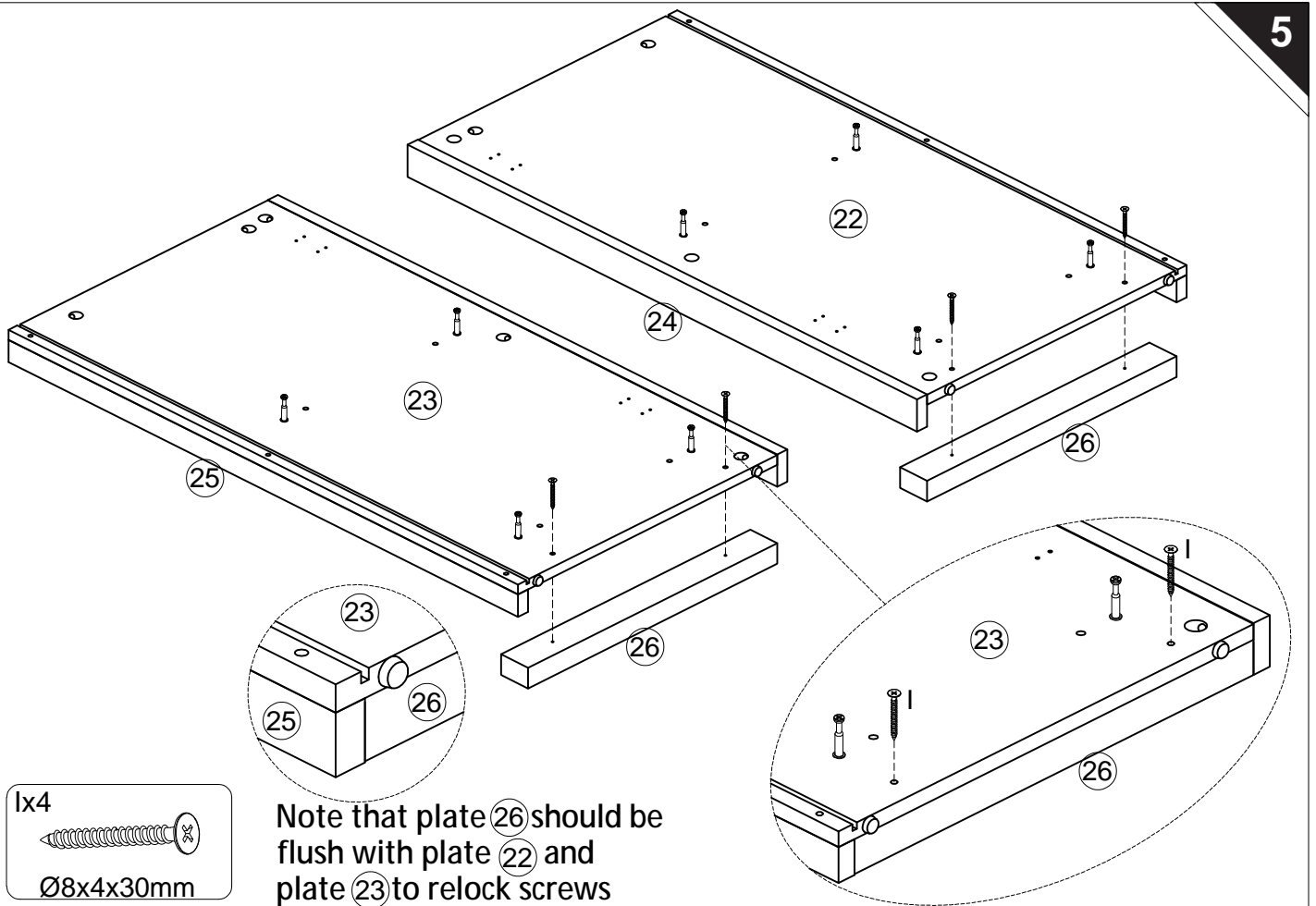


4

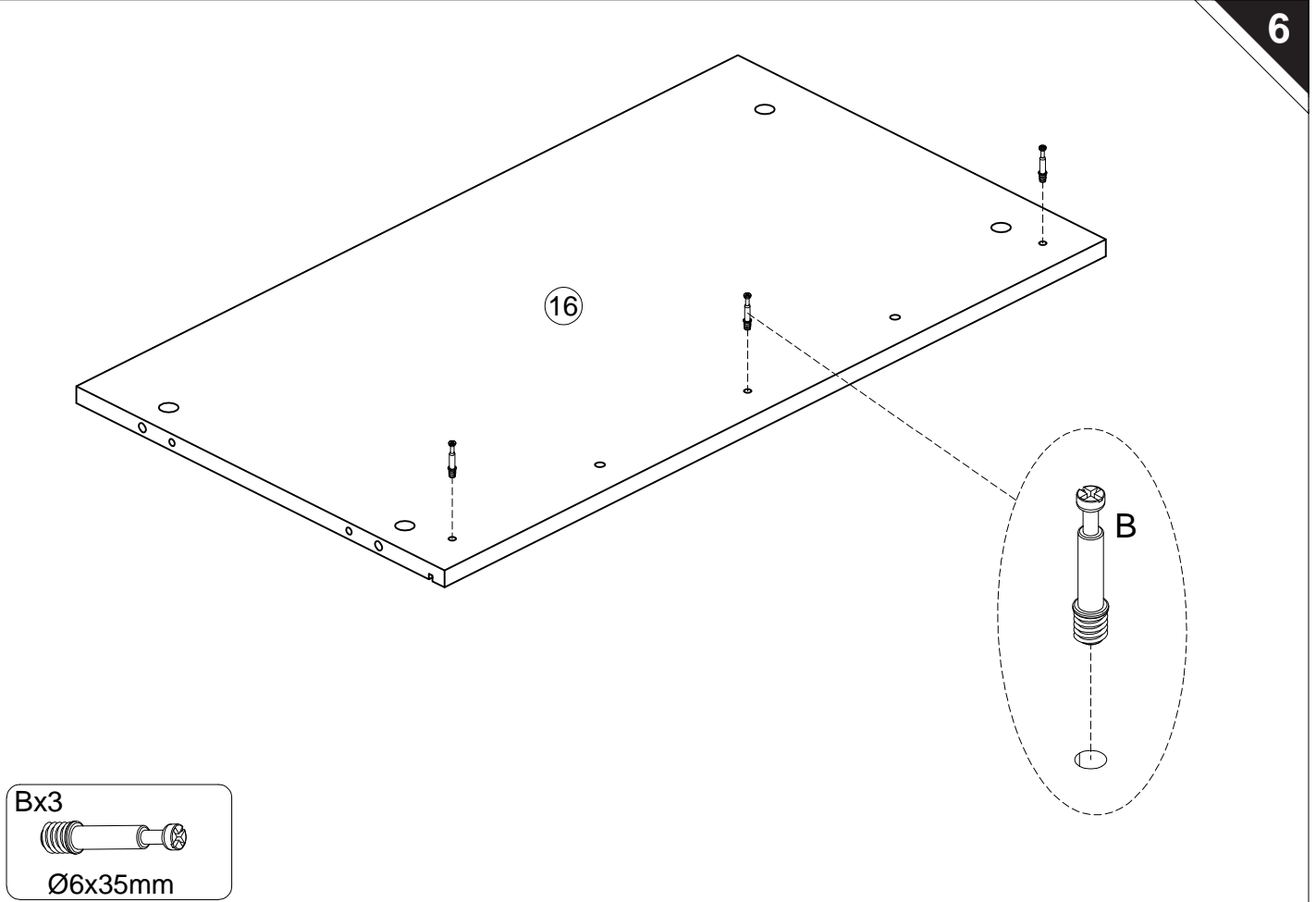


INSTALLATION INSTRUCTION

5

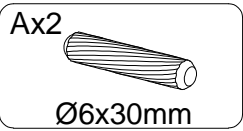
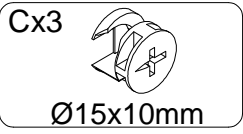
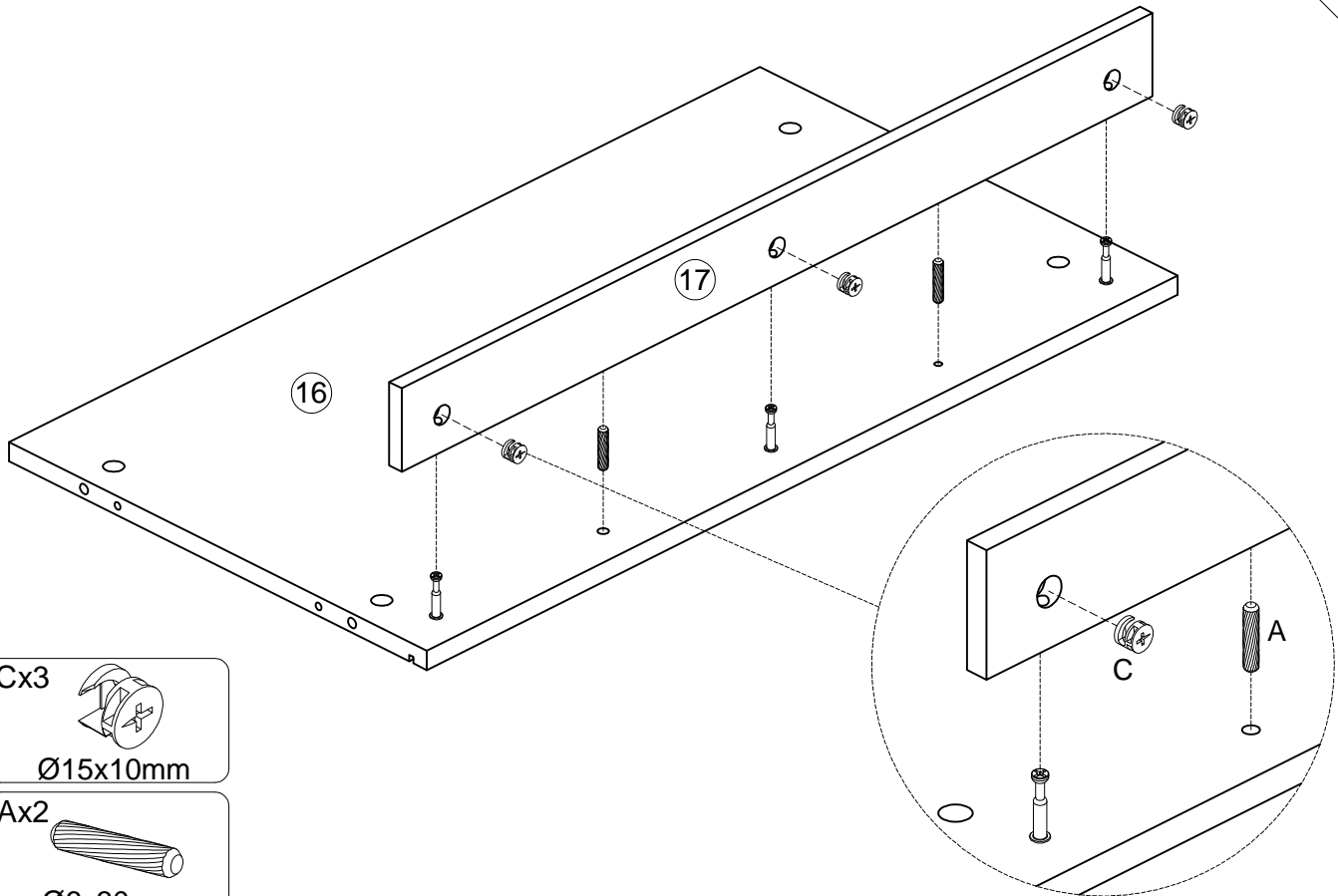


6

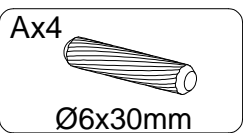
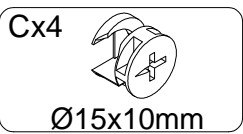
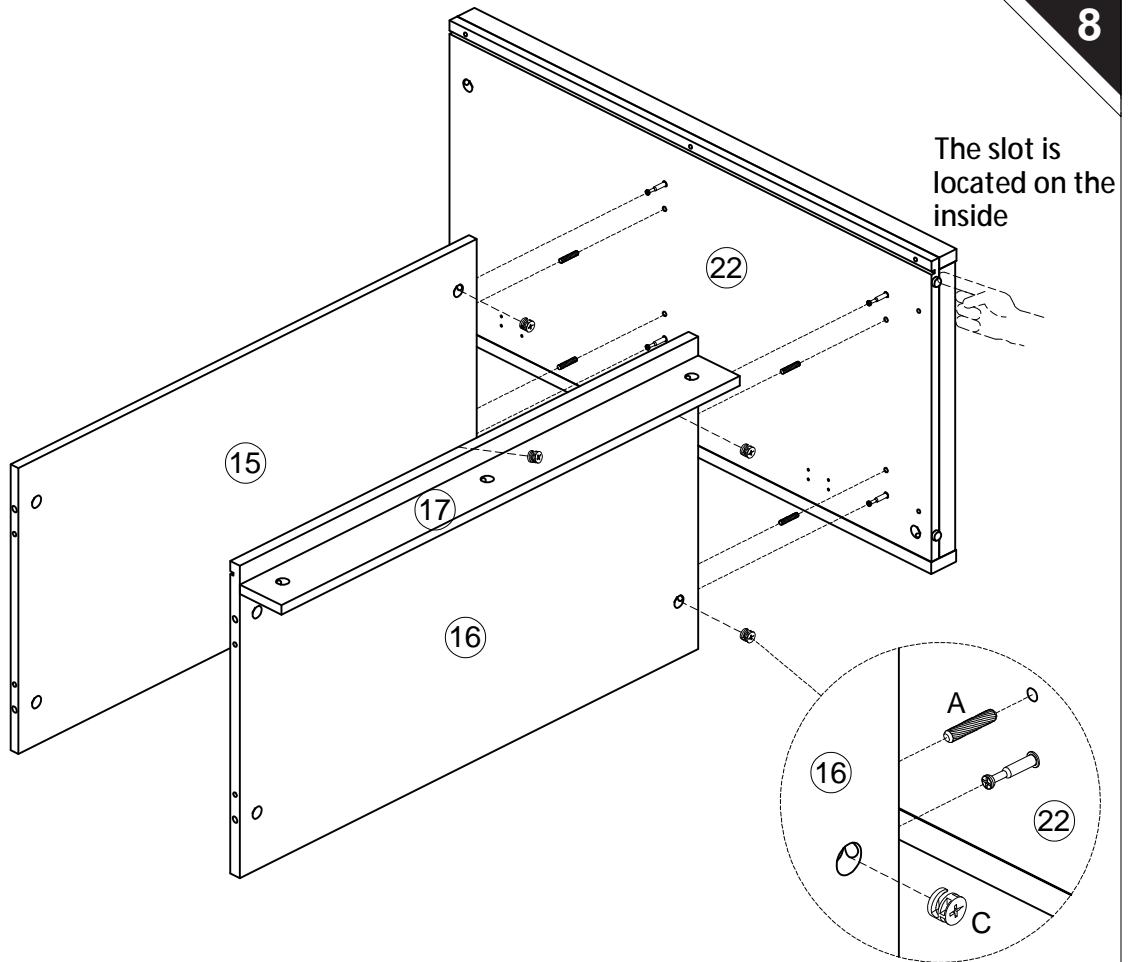


INSTALLATION INSTRUCTION

7

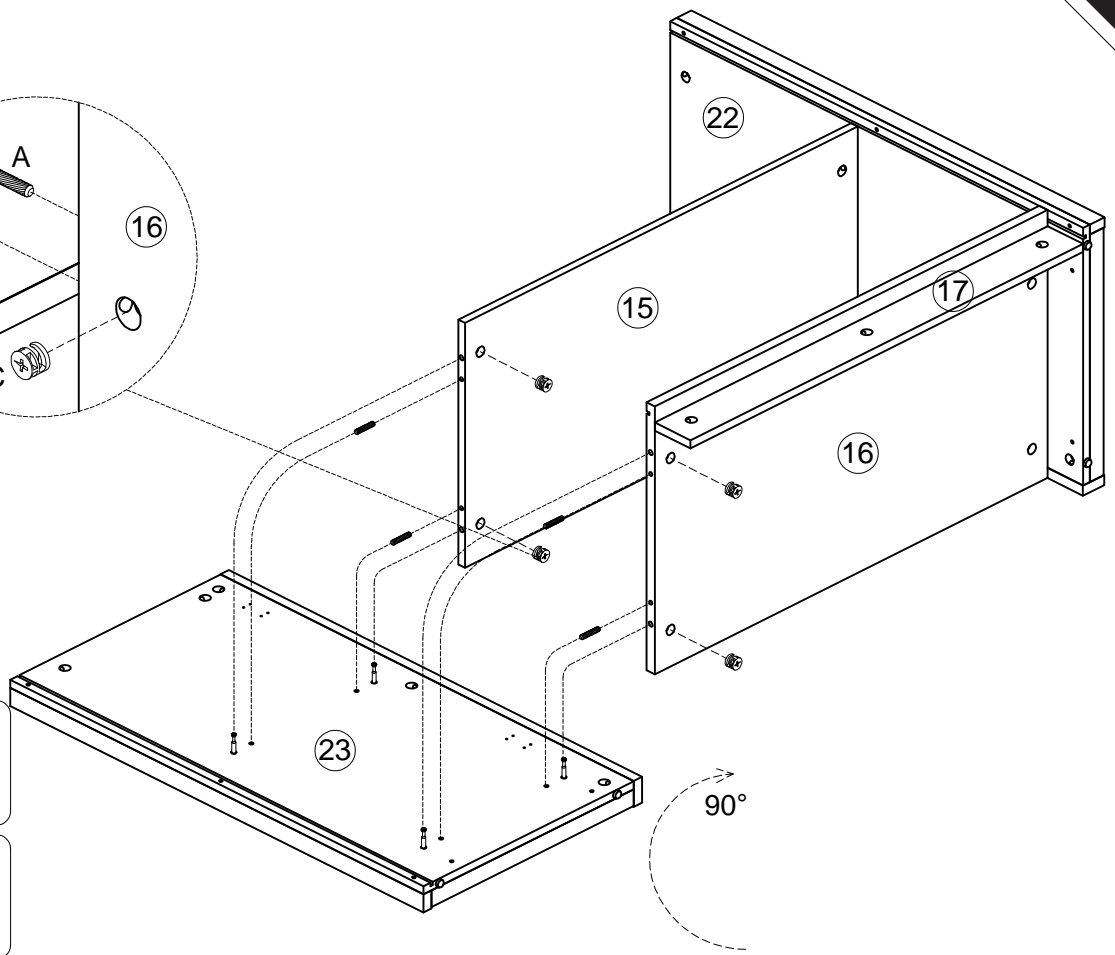
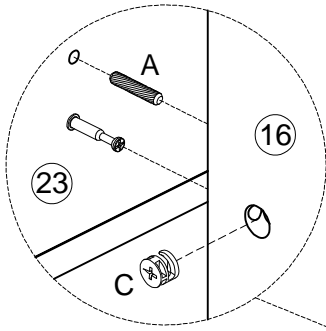



8




INSTALLATION INSTRUCTION

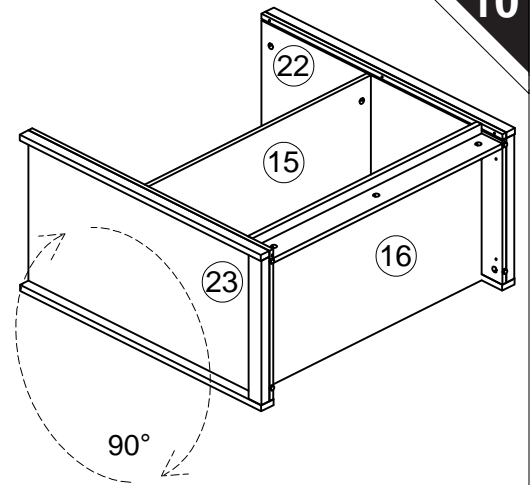
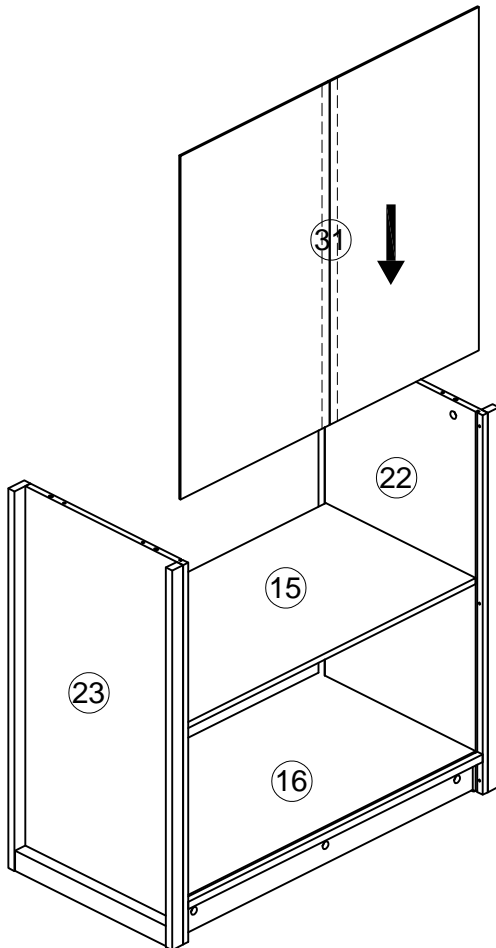
9



Cx4

Ø15x10mm

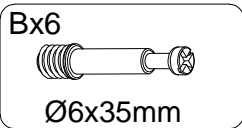
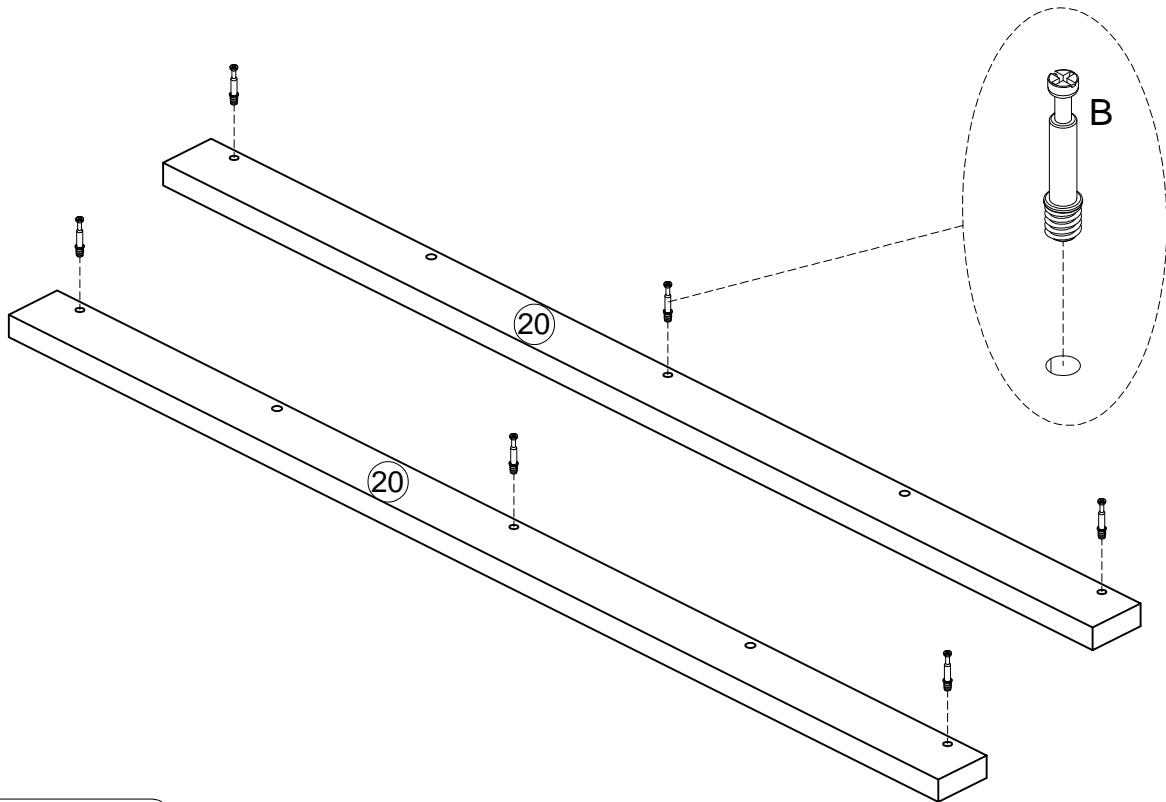
Ax4

Ø6x30mm

10

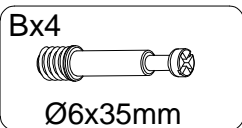
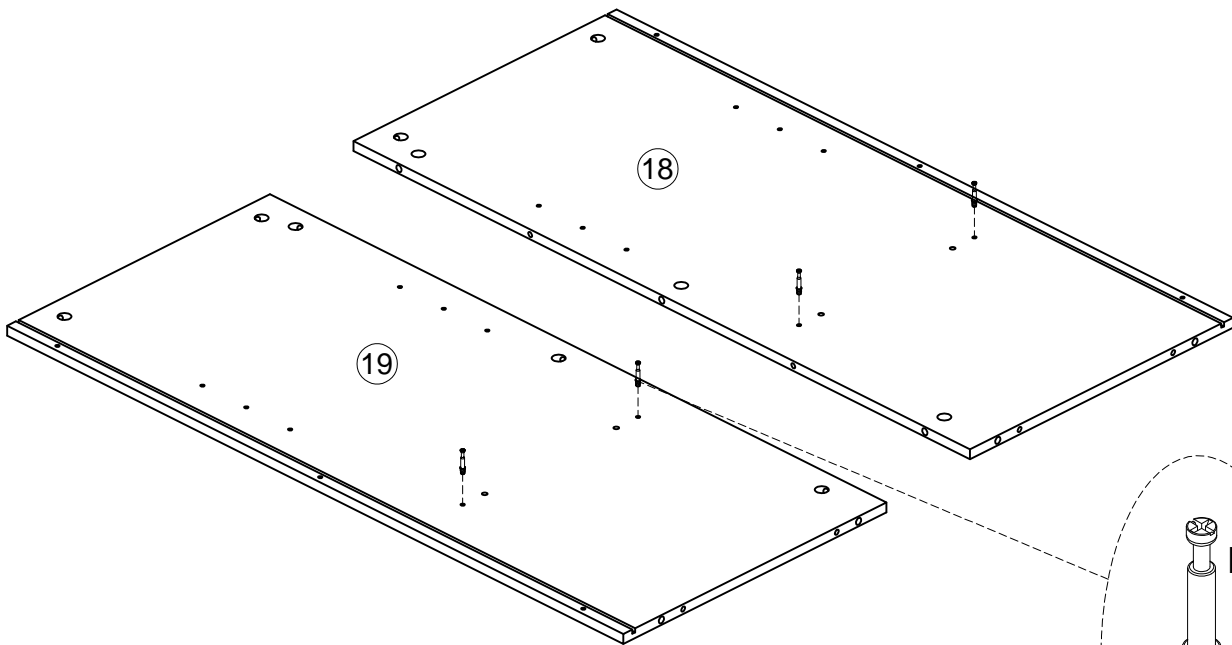


INSTALLATION INSTRUCTION

11

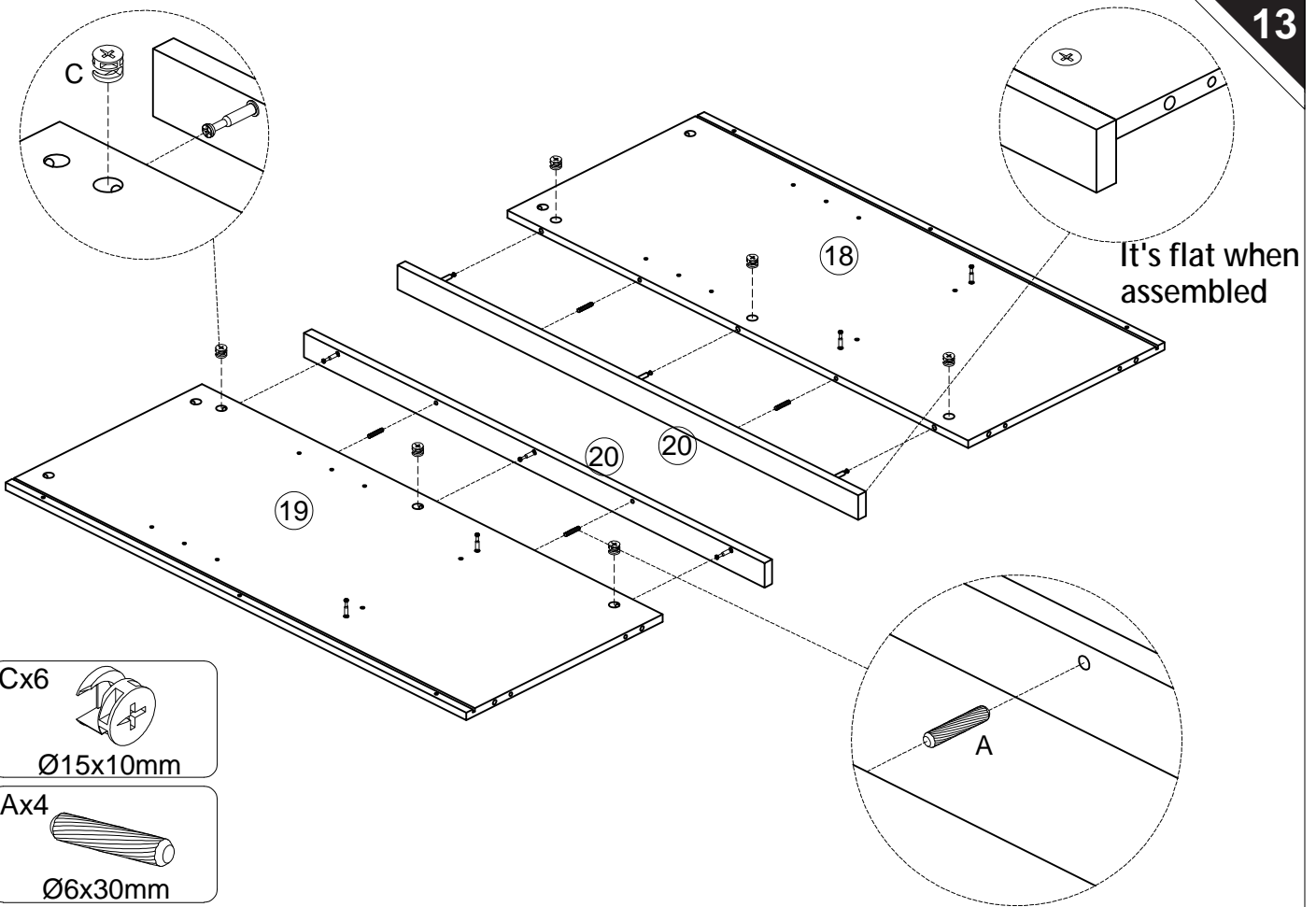


12

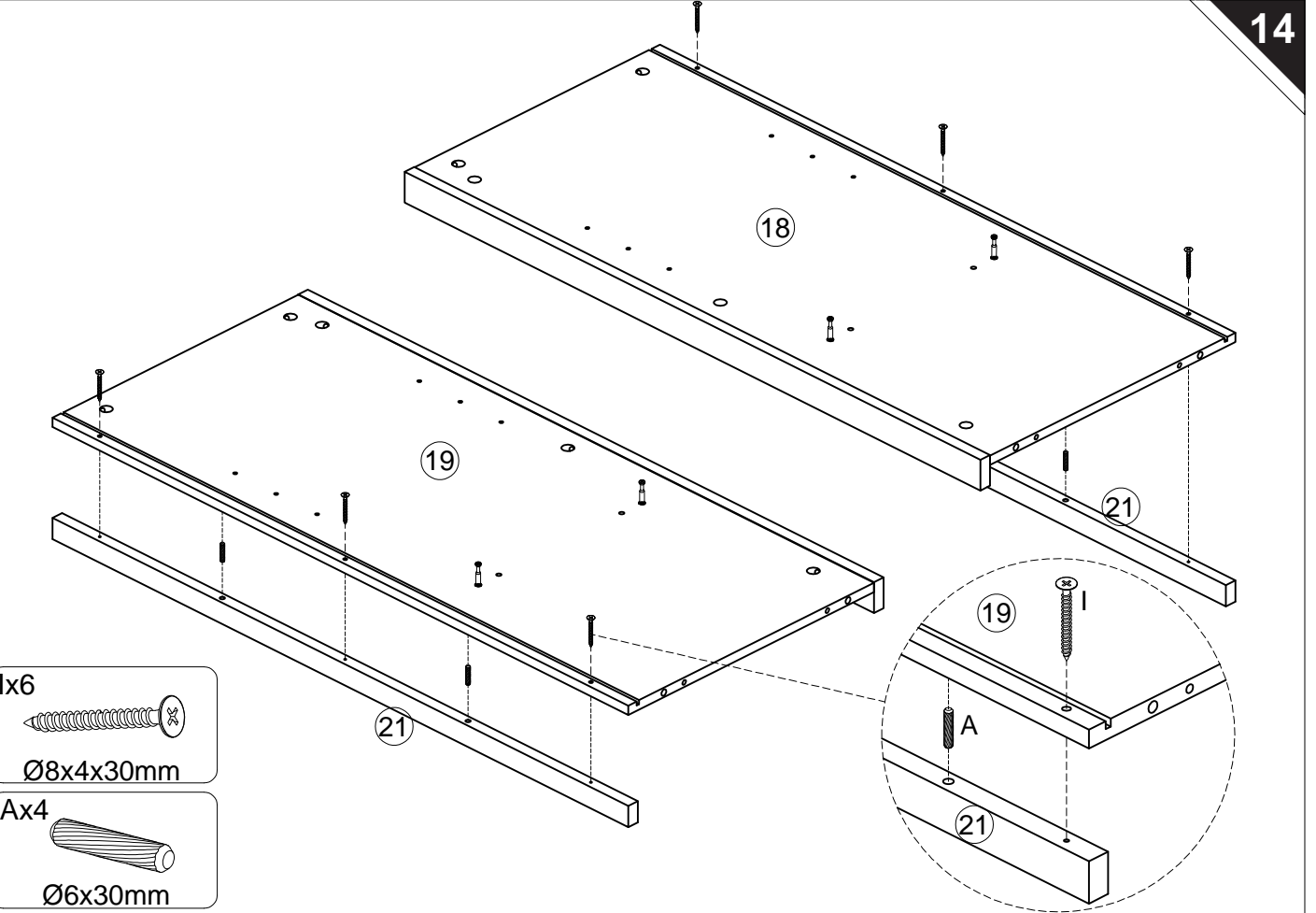


INSTALLATION INSTRUCTION

13

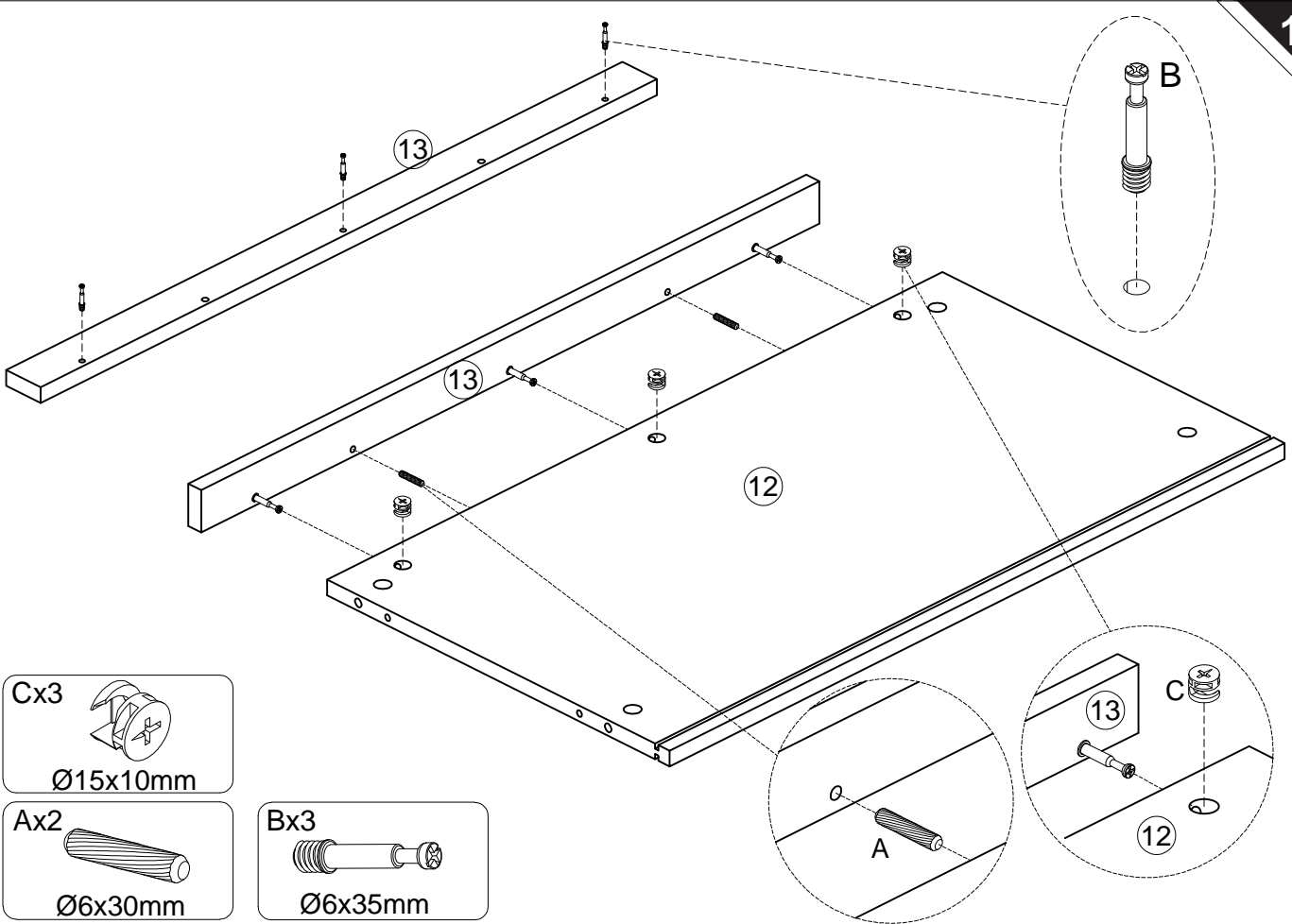


14

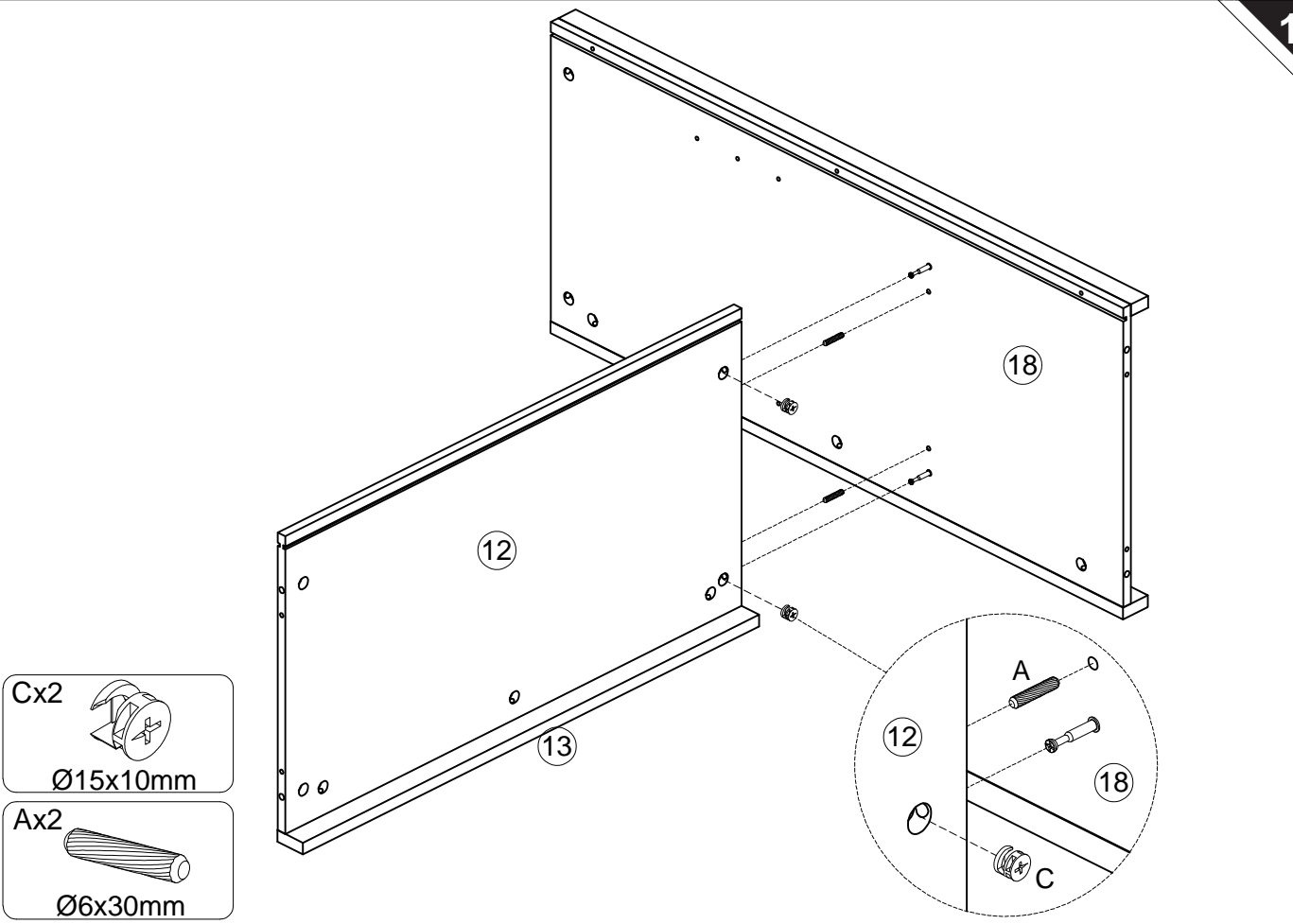


INSTALLATION INSTRUCTION

15

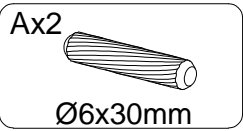
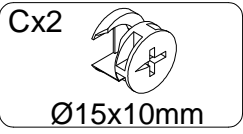
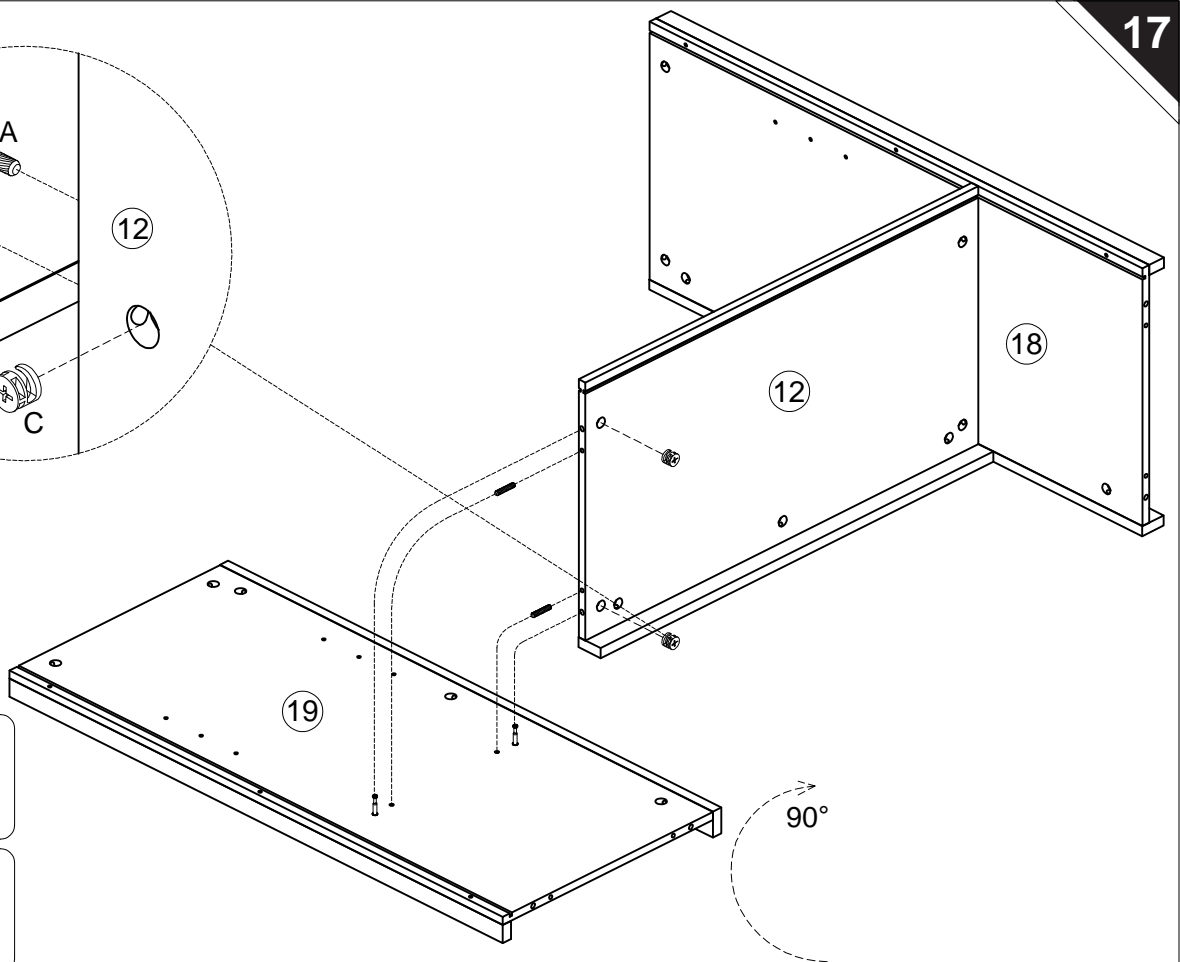
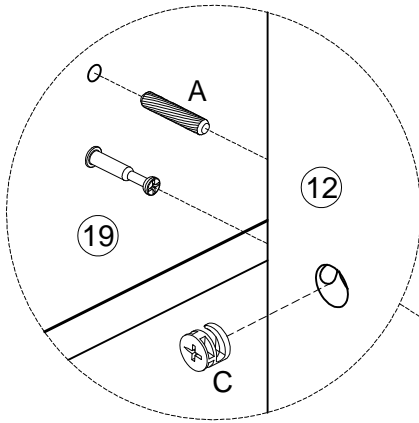


16

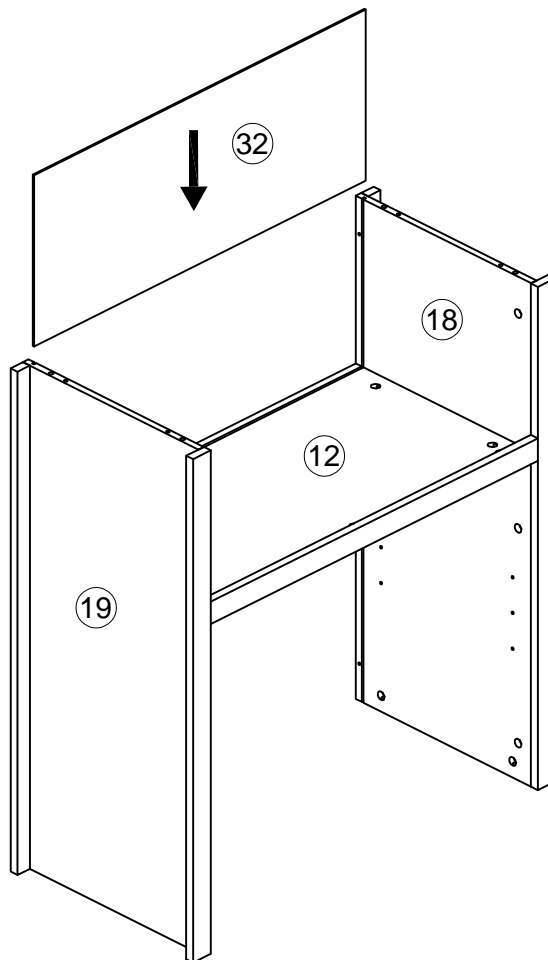
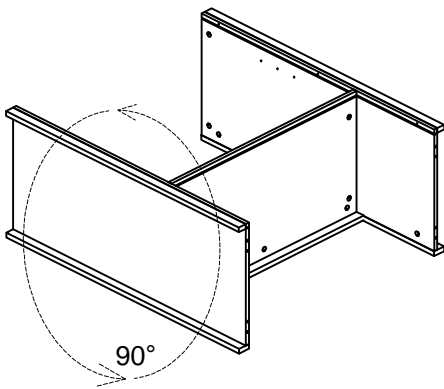


INSTALLATION INSTRUCTION

17

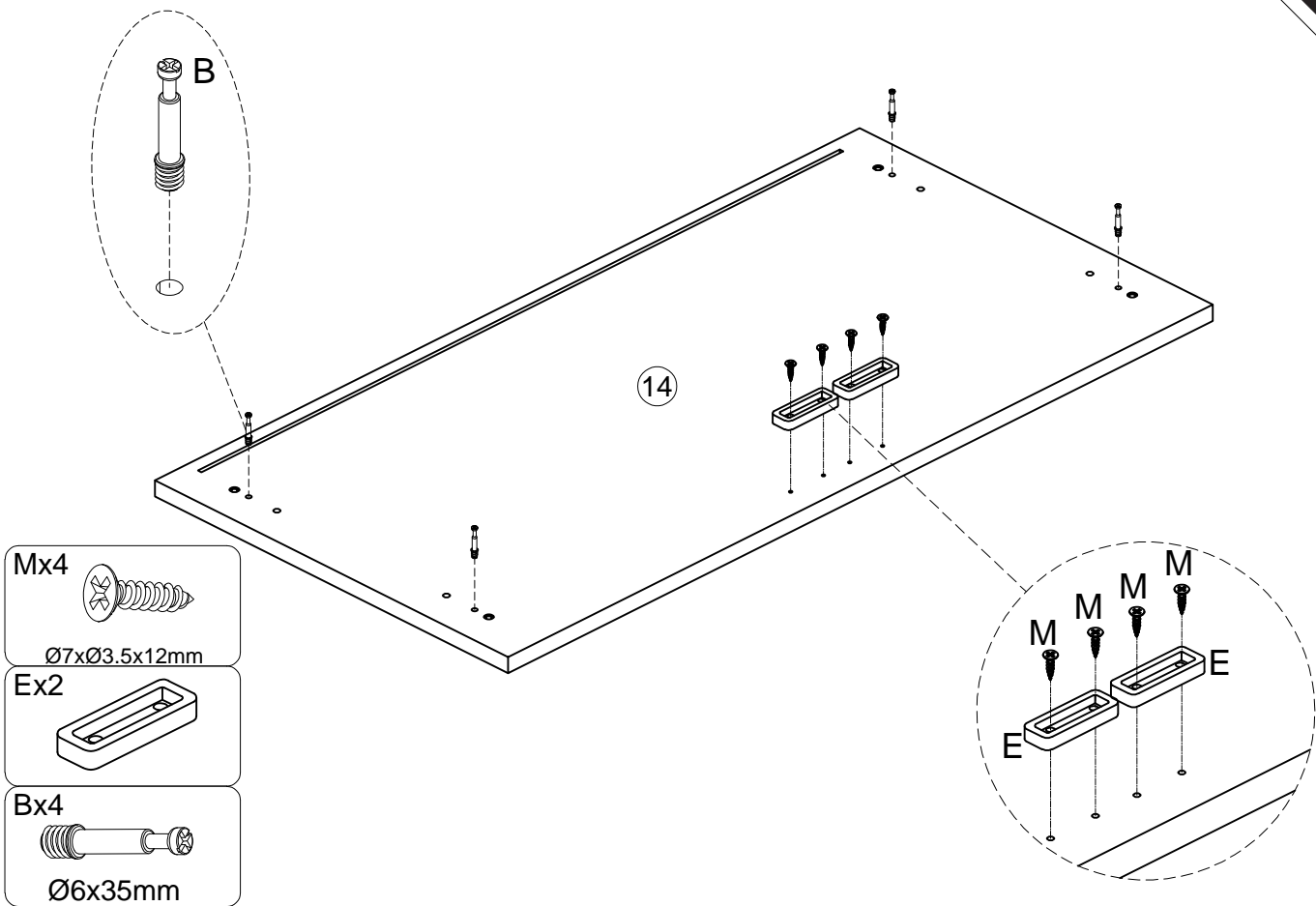


18

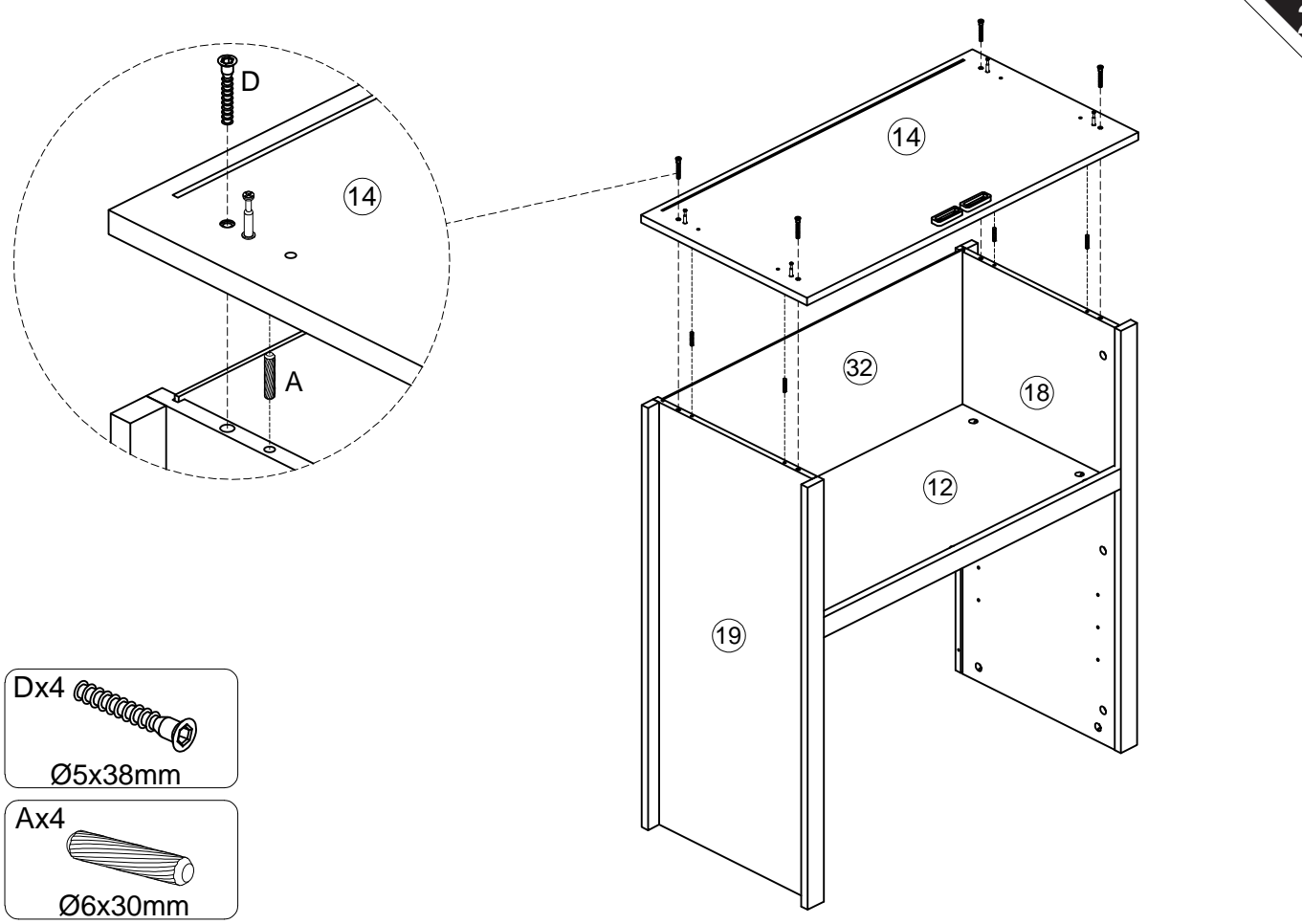


INSTALLATION INSTRUCTION

19

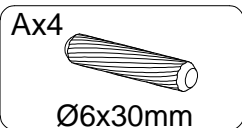
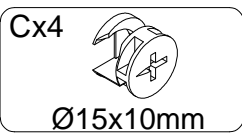
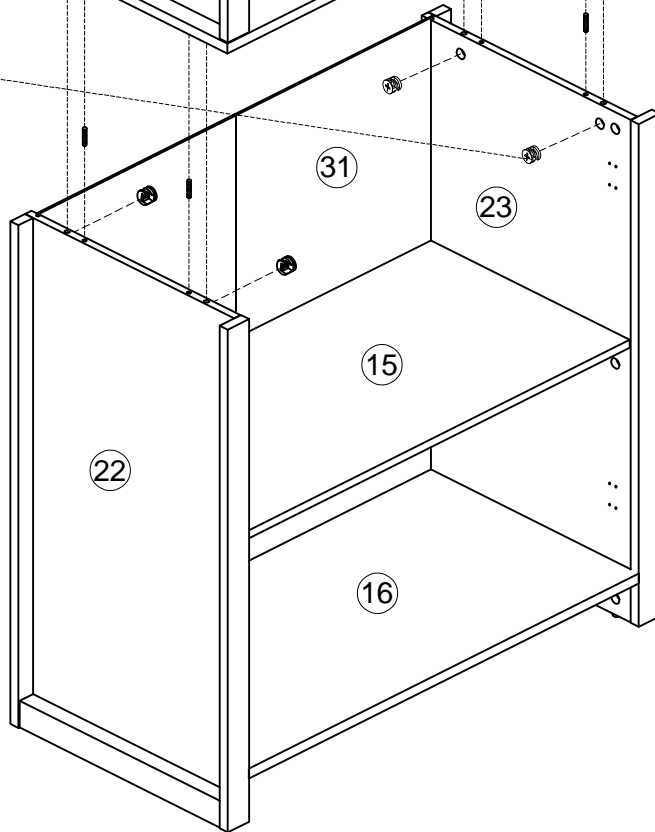
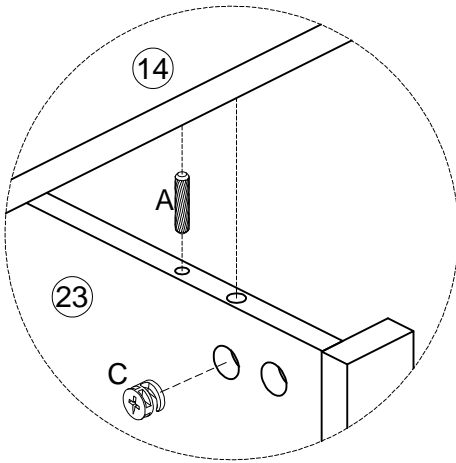
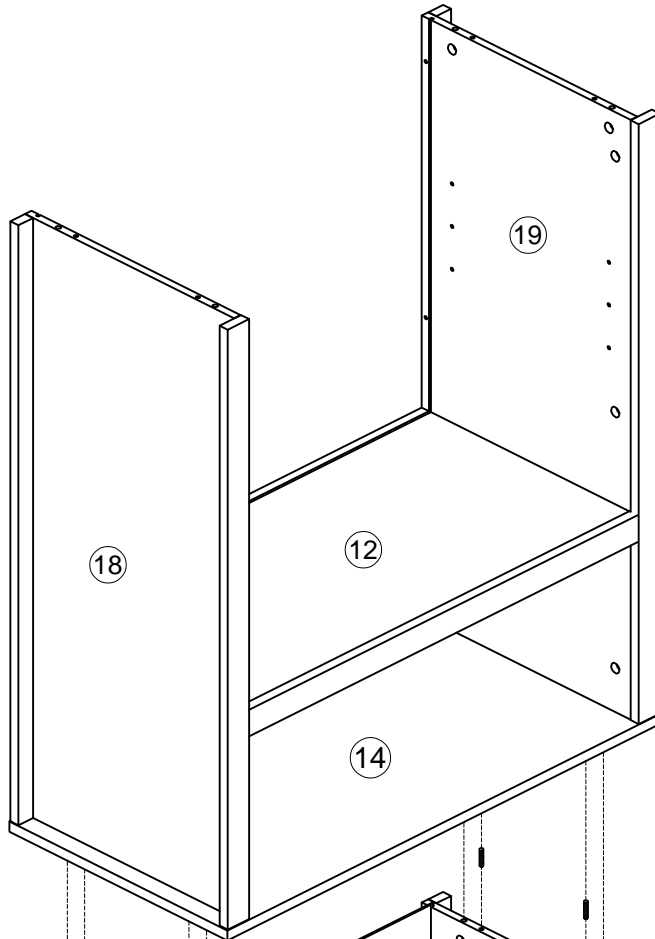
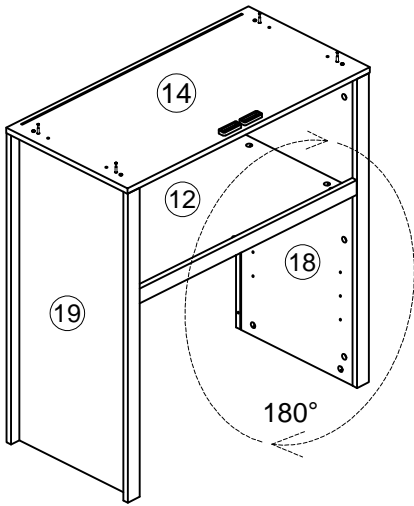


20



INSTALLATION INSTRUCTION

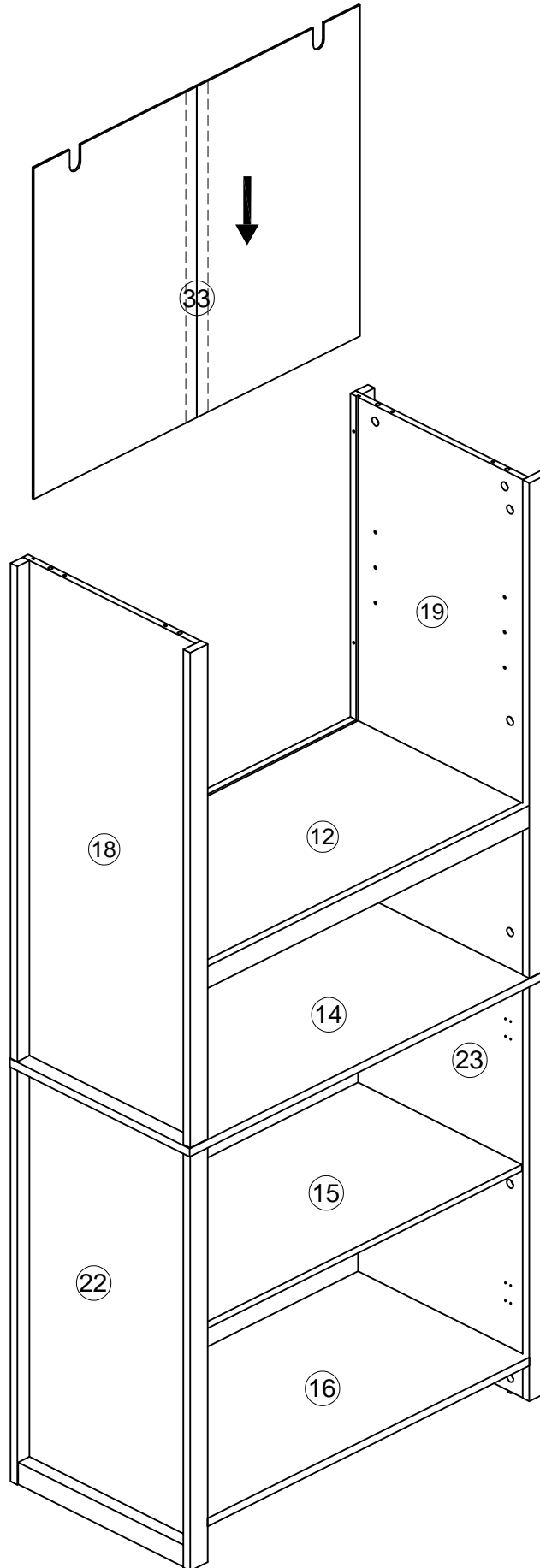
21



This installation step takes two people to complete

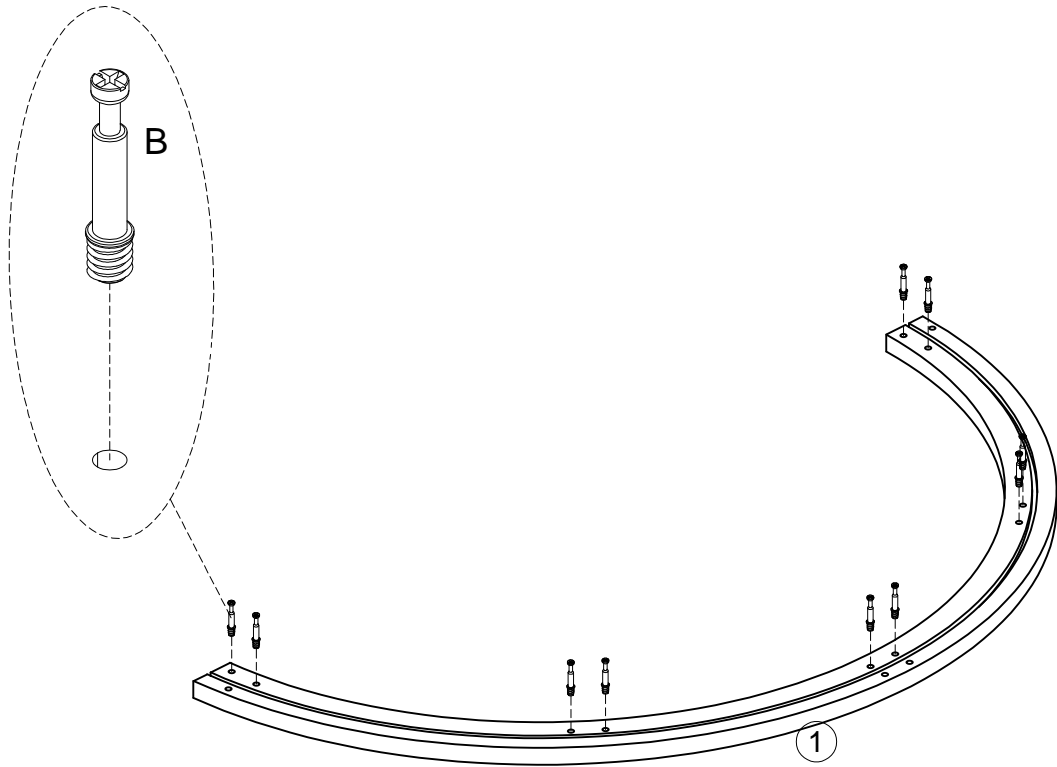
INSTALLATION INSTRUCTION

22

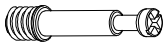


INSTALLATION INSTRUCTION

23

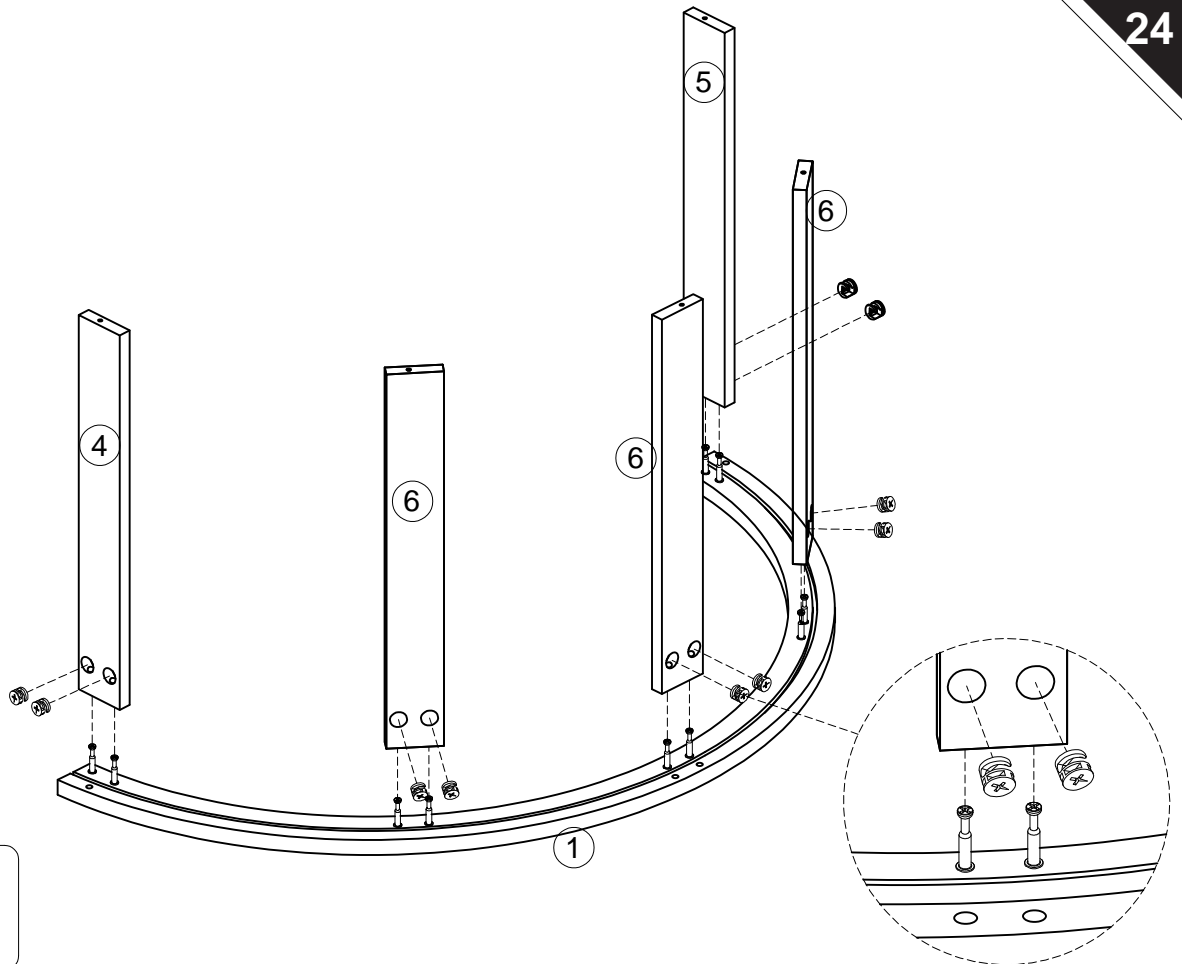


Bx10



Ø6x35mm

24



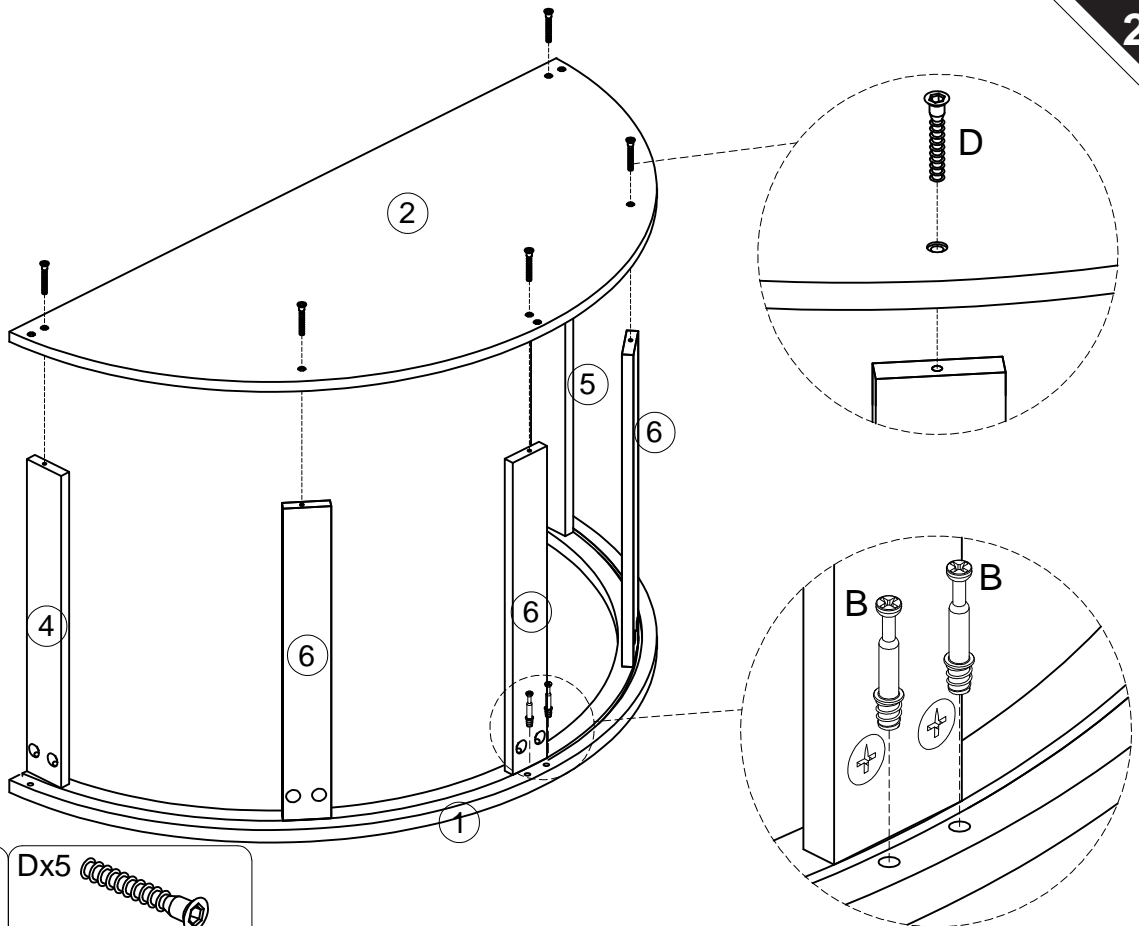
Cx10



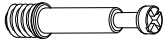
Ø15x10mm

INSTALLATION INSTRUCTION

25



Bx2



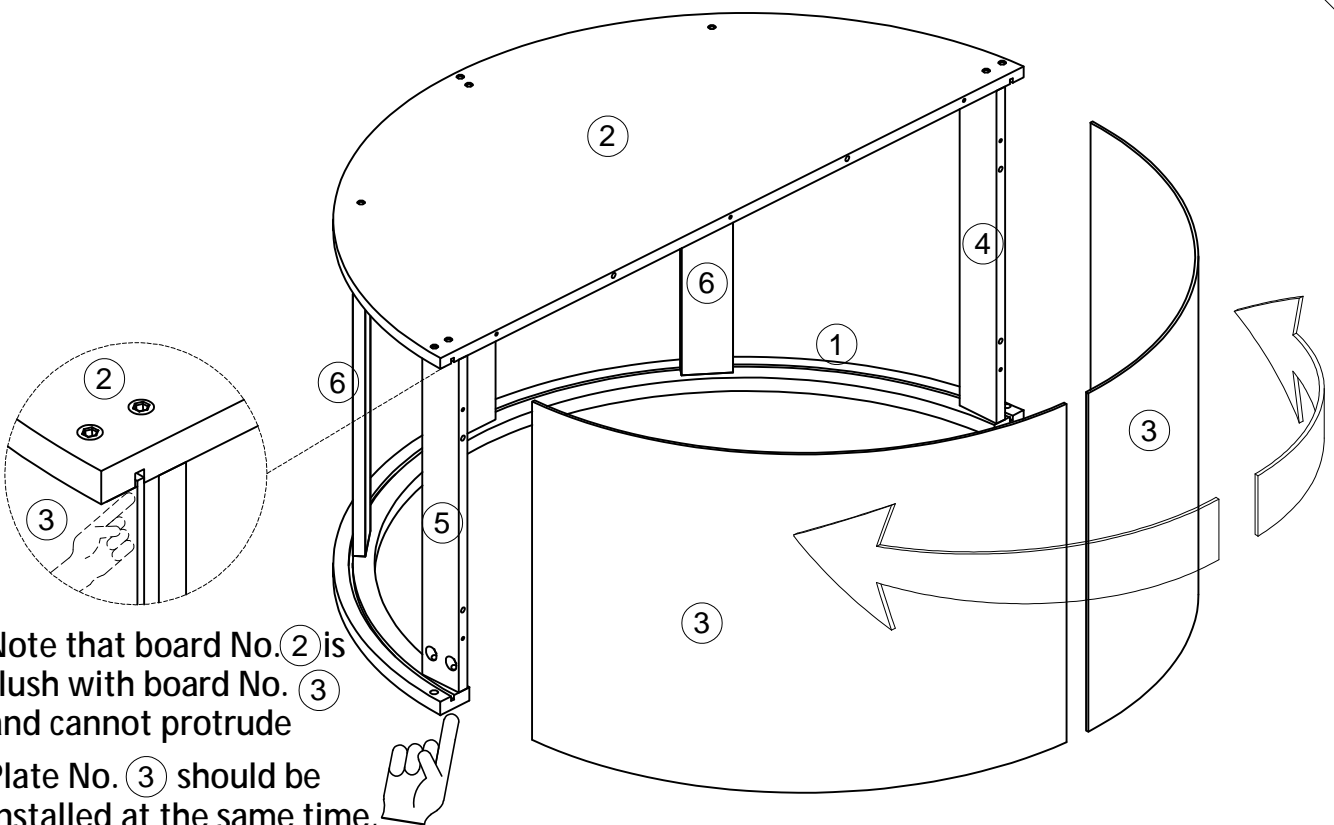
Ø6x35mm

Dx5



Ø5x38mm

26

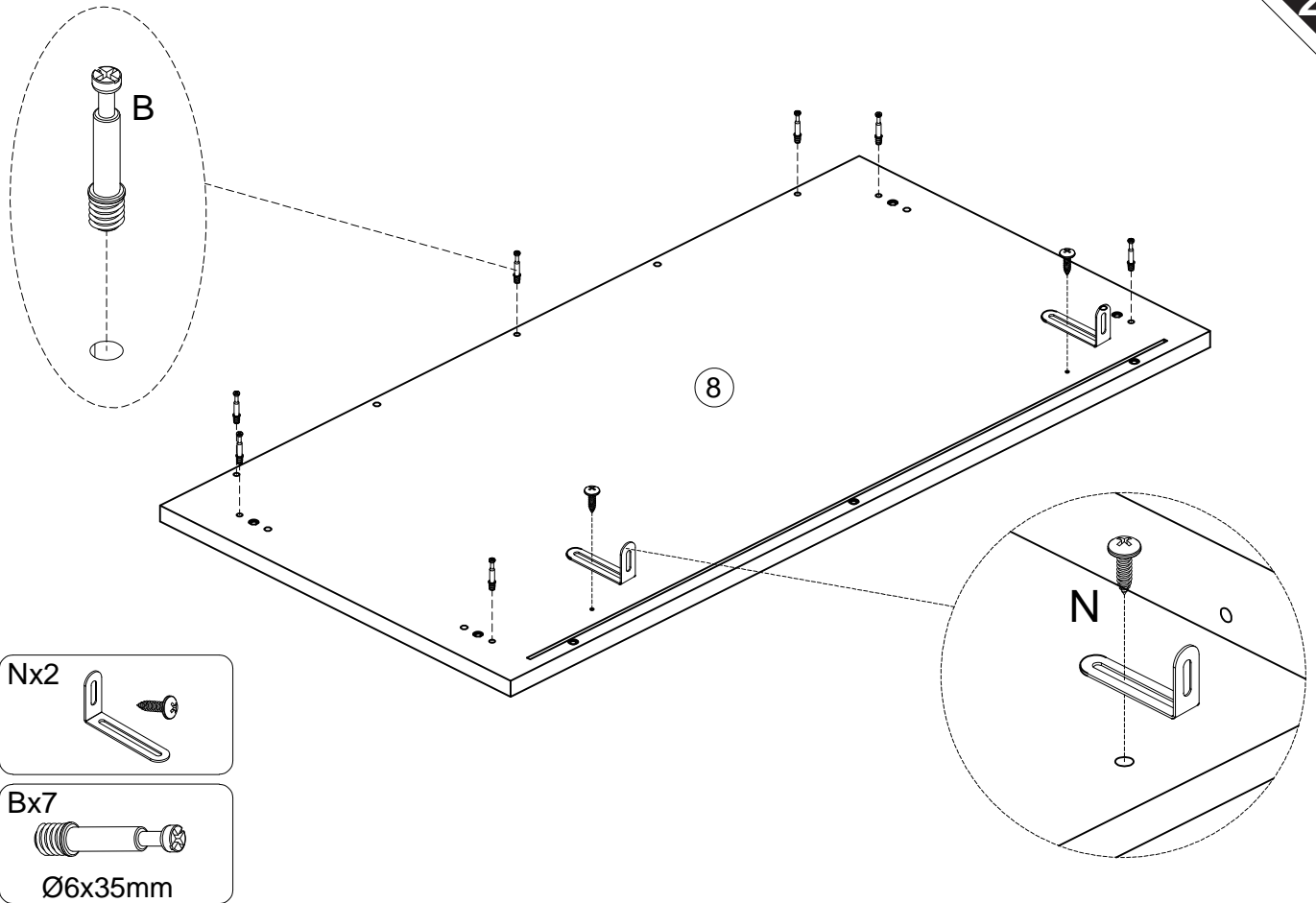


Note that board No. ② is flush with board No. ③ and cannot protrude

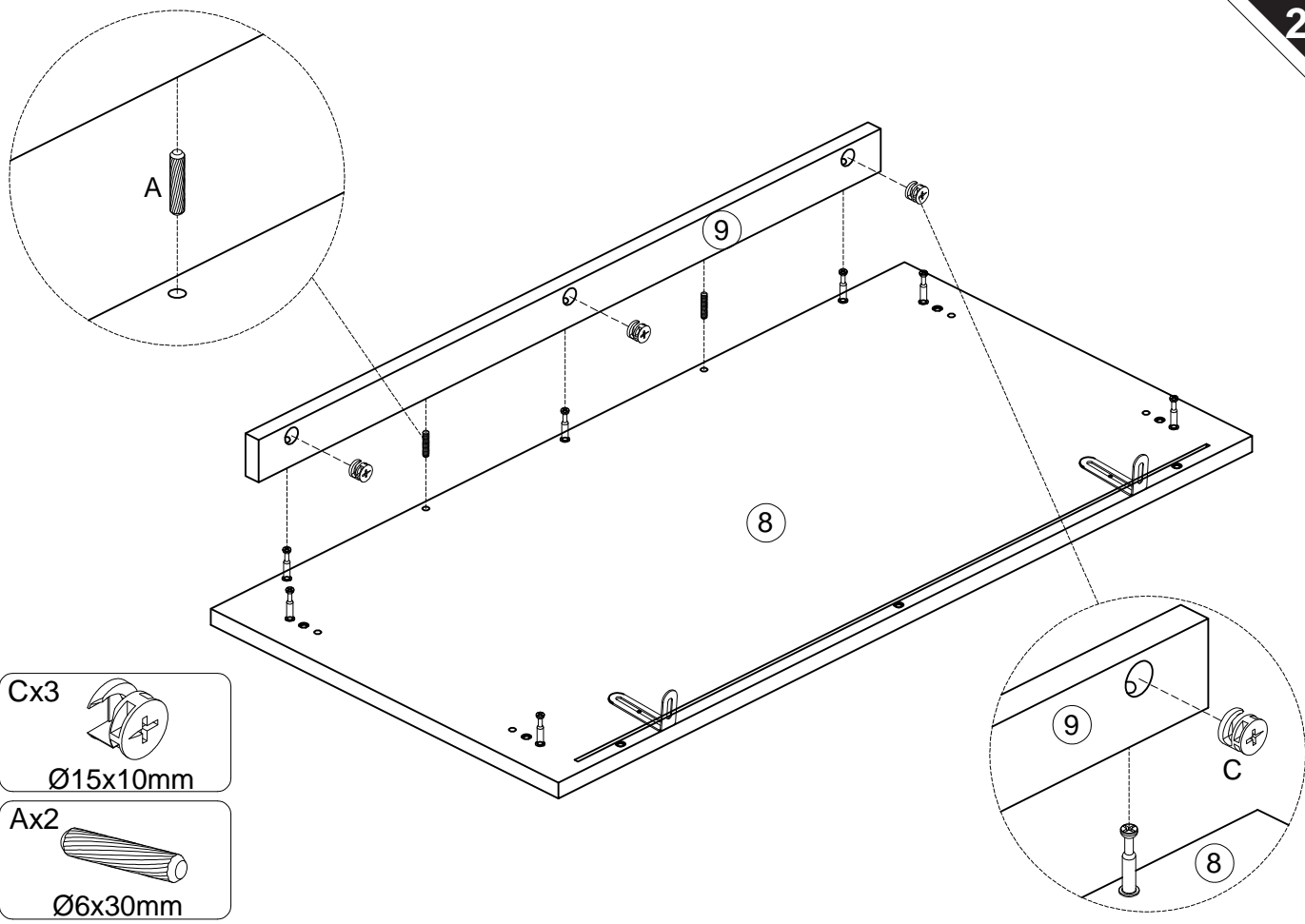
Plate No. ③ should be installed at the same time, can not tilt

INSTALLATION INSTRUCTION

27

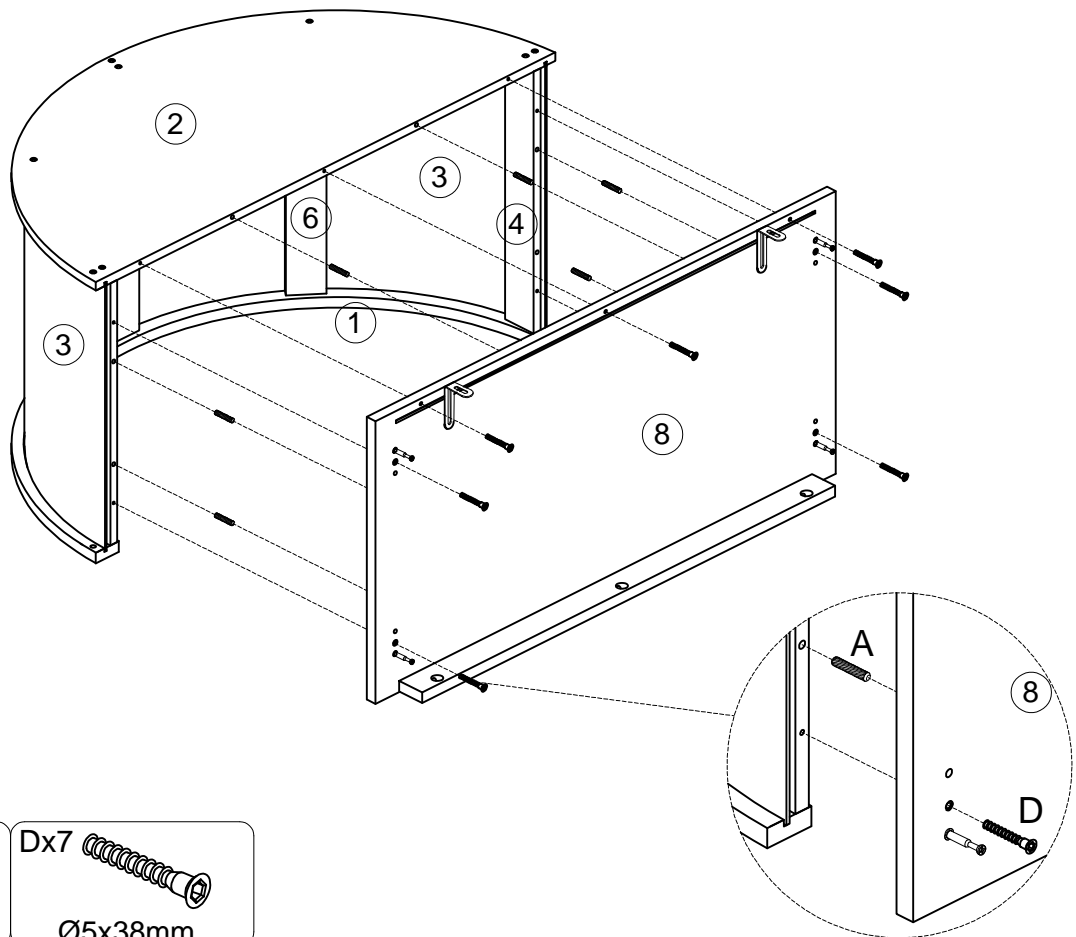


28



INSTALLATION INSTRUCTION

29

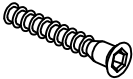


Ax6



Ø6x30mm

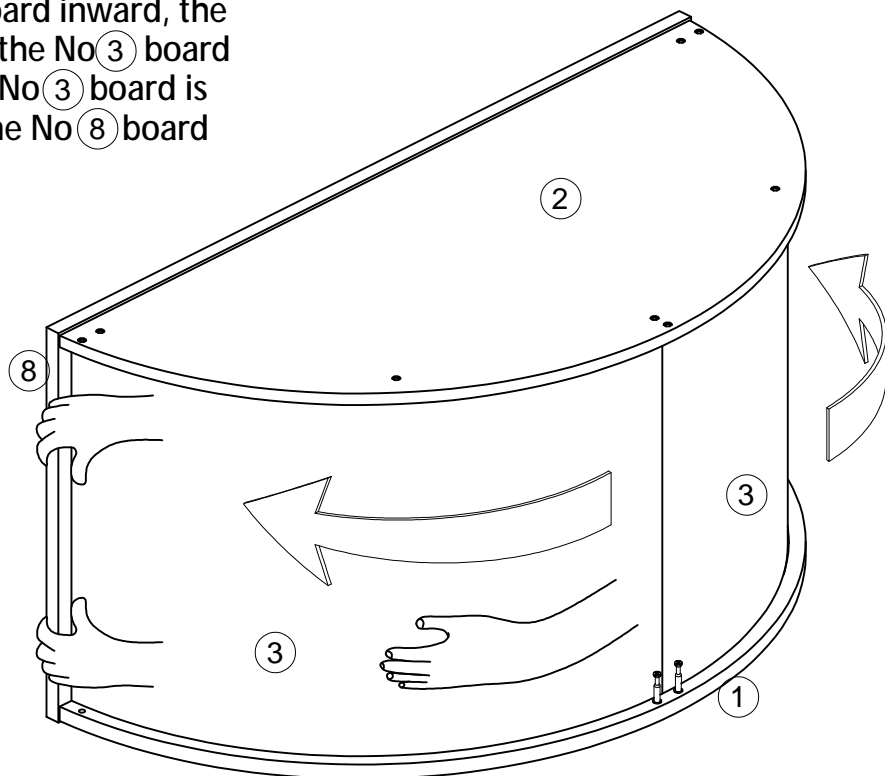
Dx7



Ø5x38mm

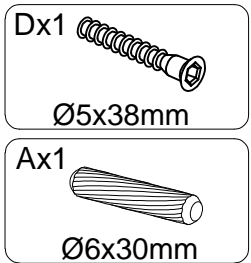
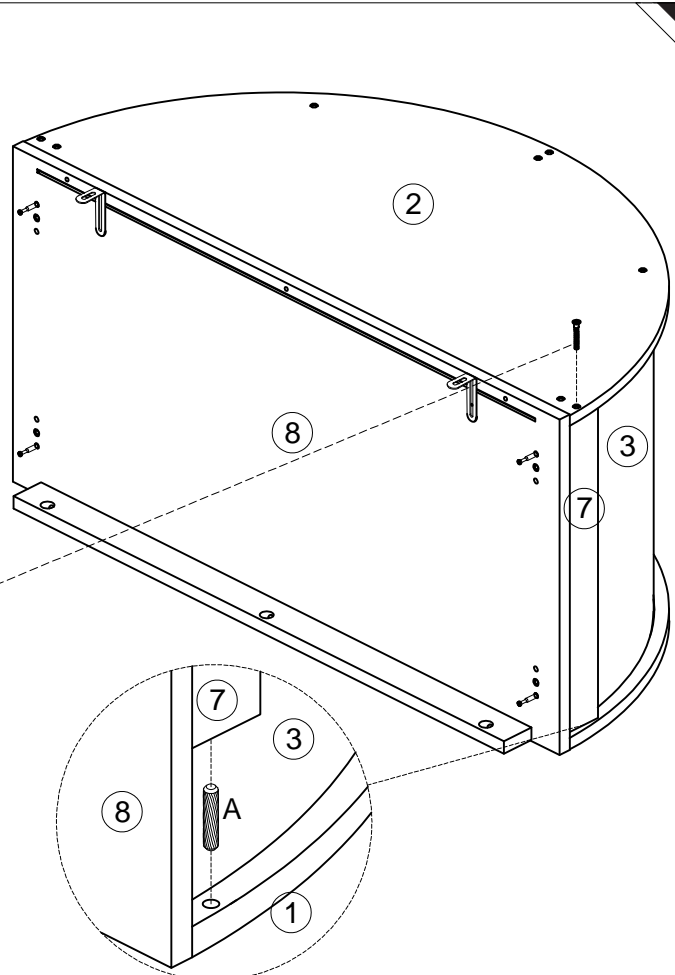
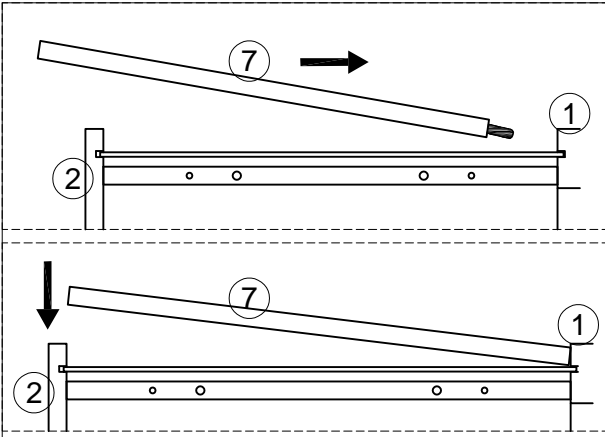
30

For this step, two people need to work together, one with both hands to push the No ③ board inward, the other person to pile the No ③ board forward, so that the No ③ board is stuck in the slot of the No ⑧ board

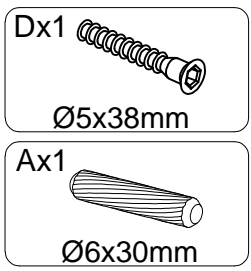
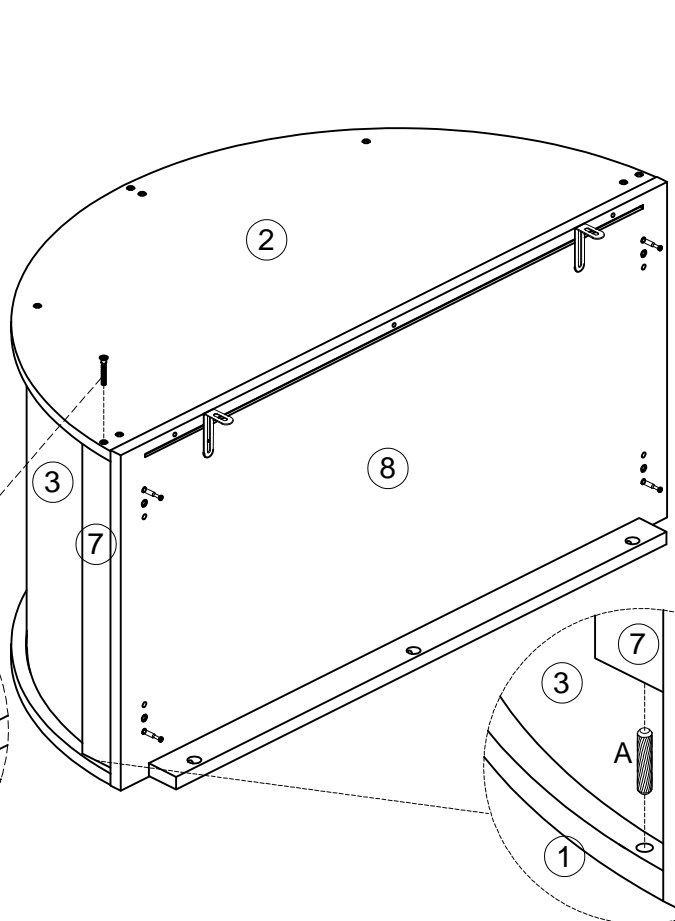
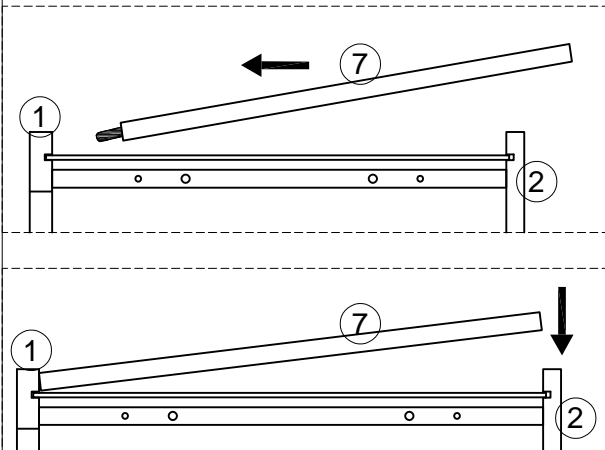


INSTALLATION INSTRUCTION

31

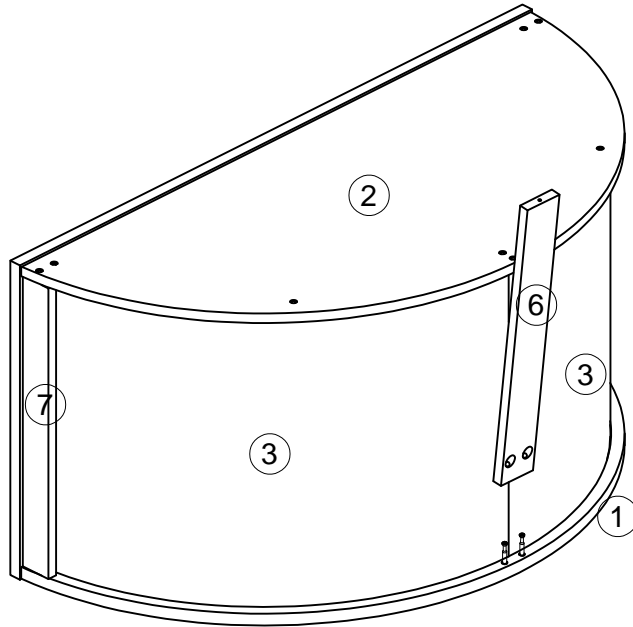
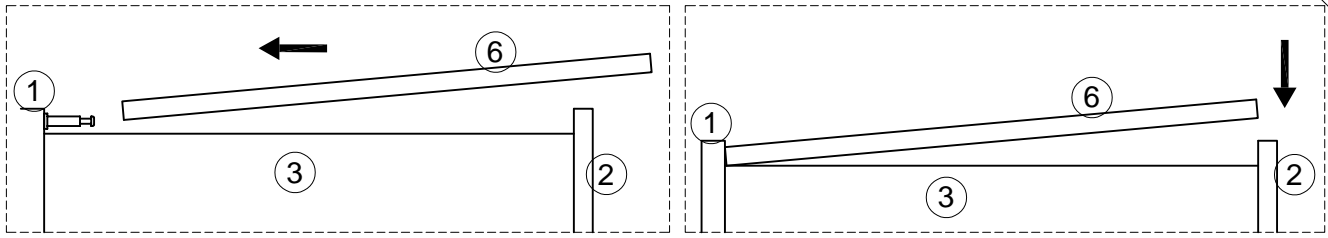


32

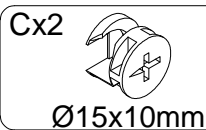
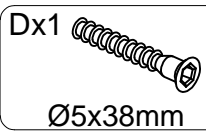
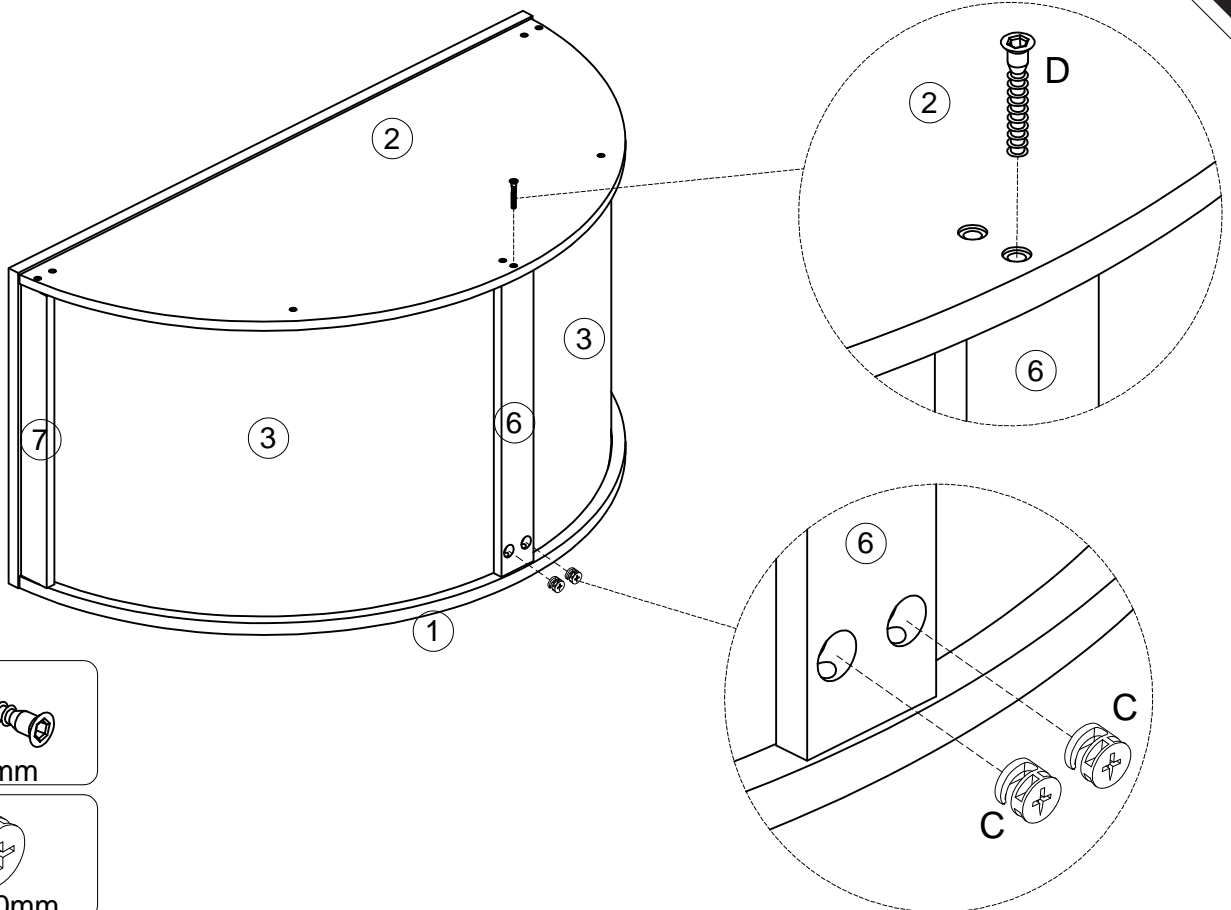


INSTALLATION INSTRUCTION

33

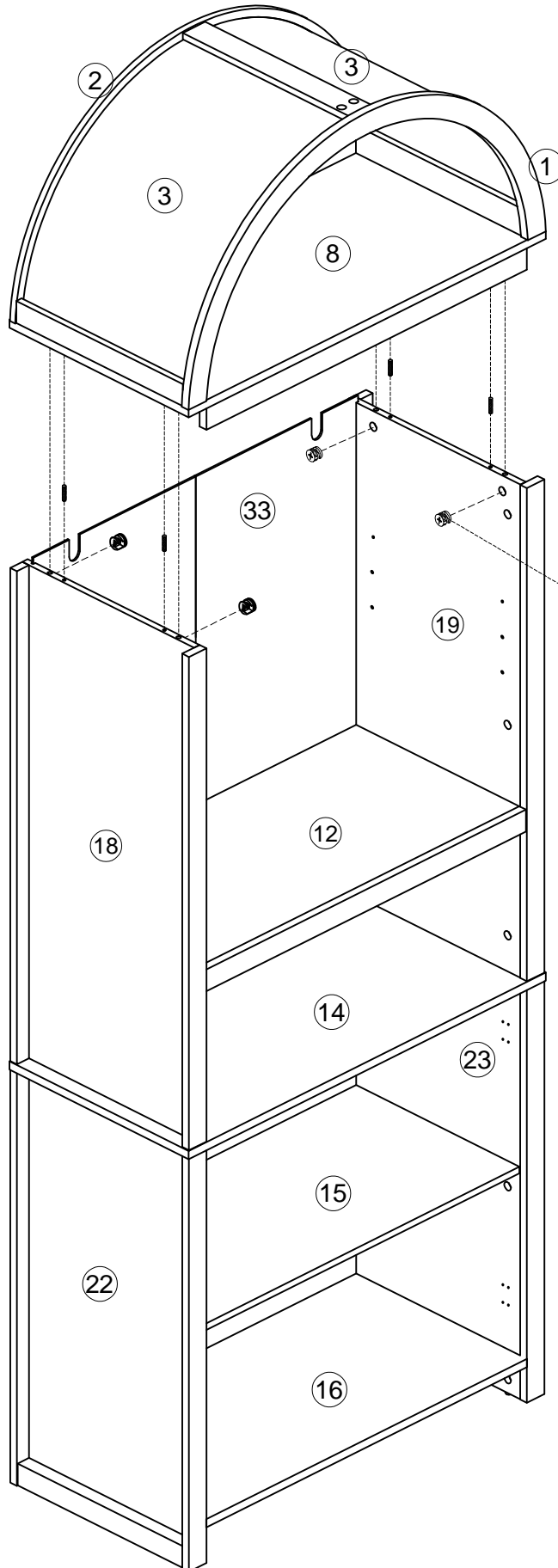


34

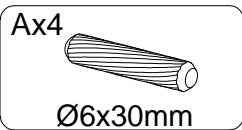
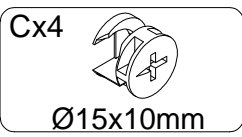
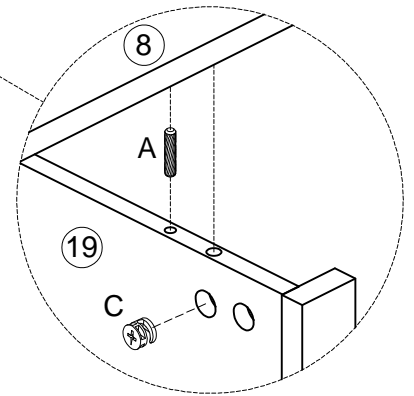


INSTALLATION INSTRUCTION

35

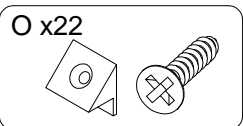
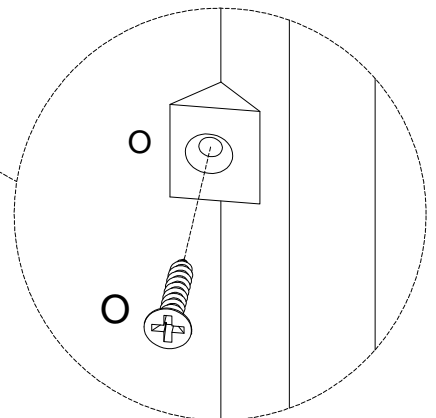
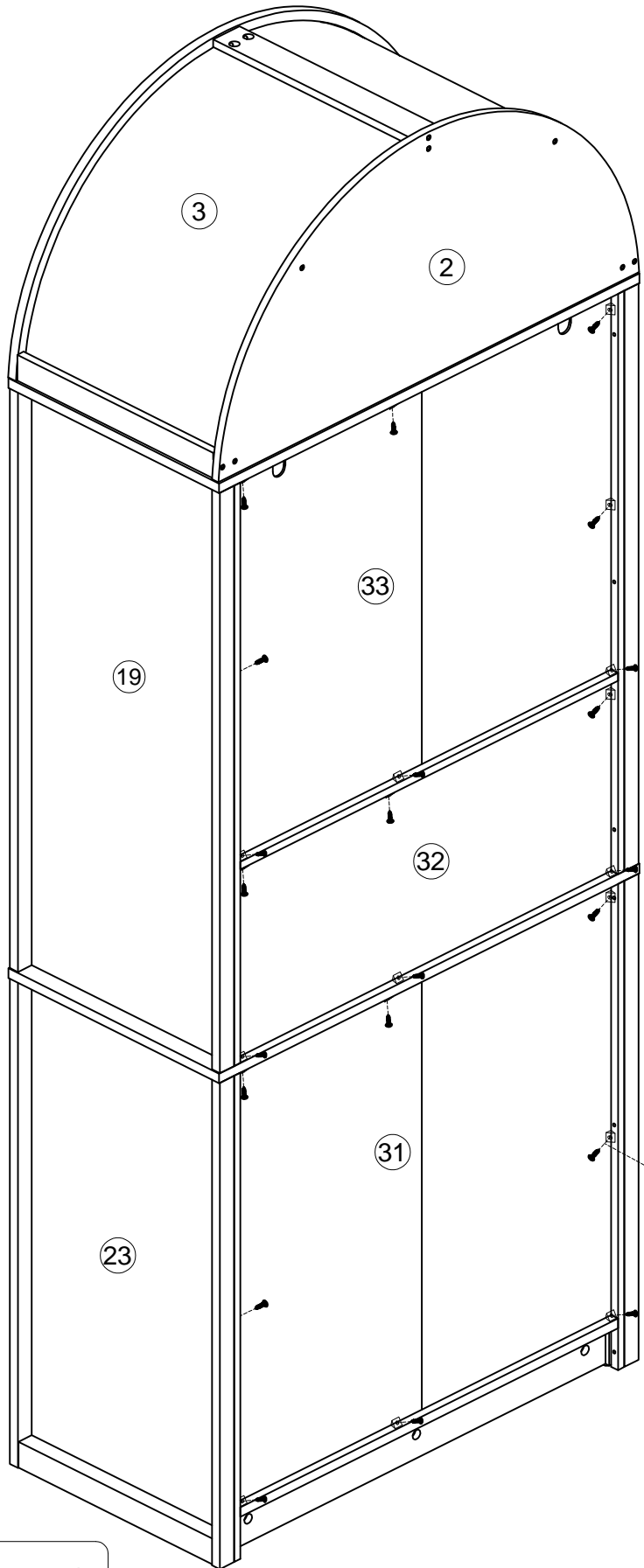


This installation step takes two people to complete



INSTALLATION INSTRUCTION

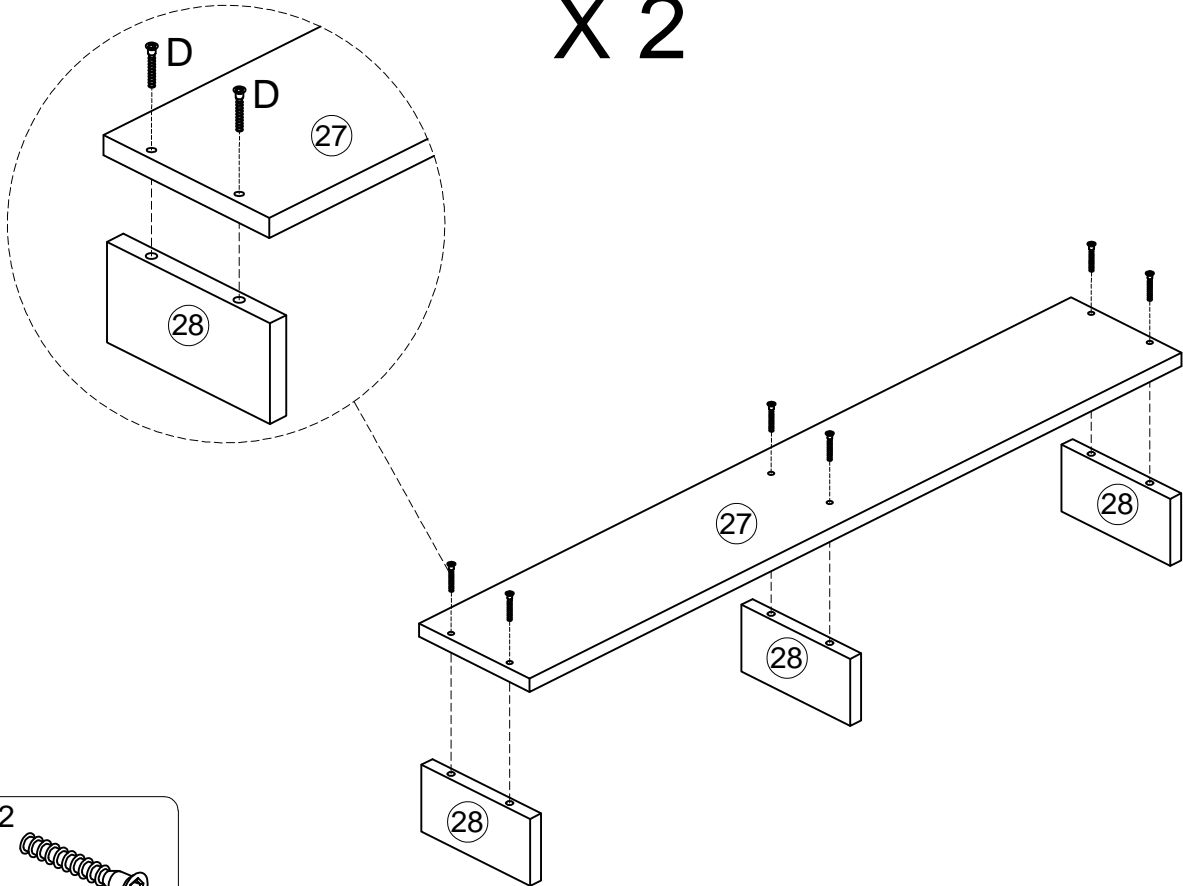
36



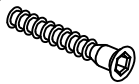
INSTALLATION INSTRUCTION

37

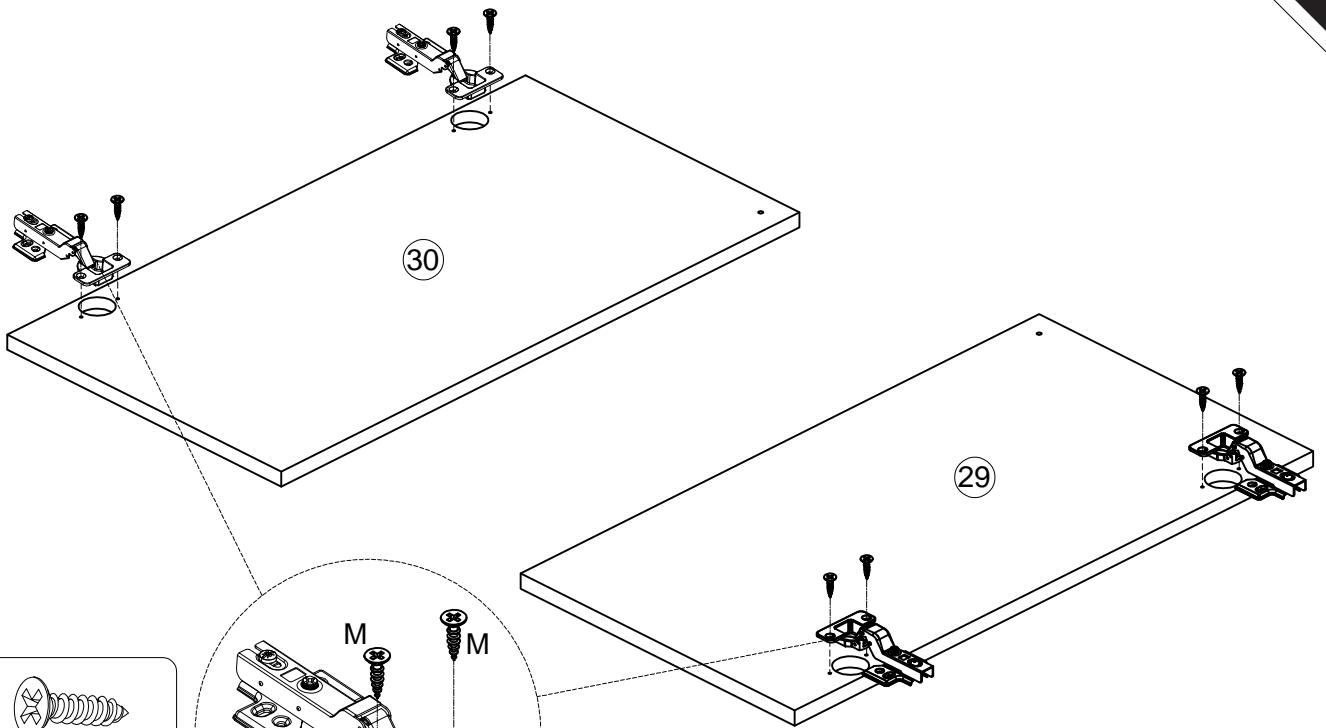
X 2



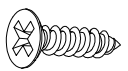
Dx12



38

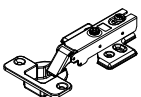


Mx8

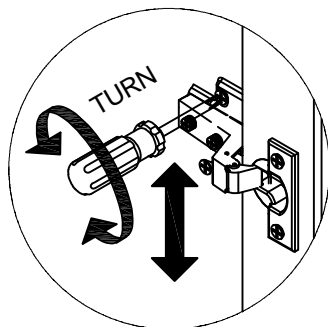
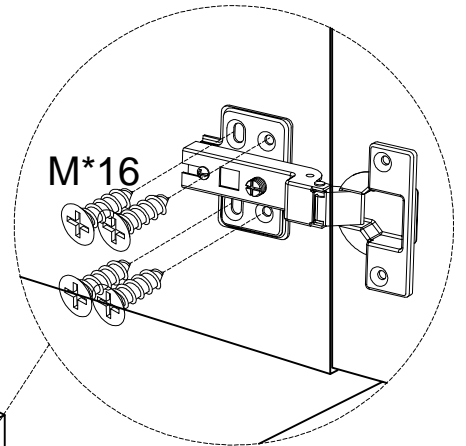
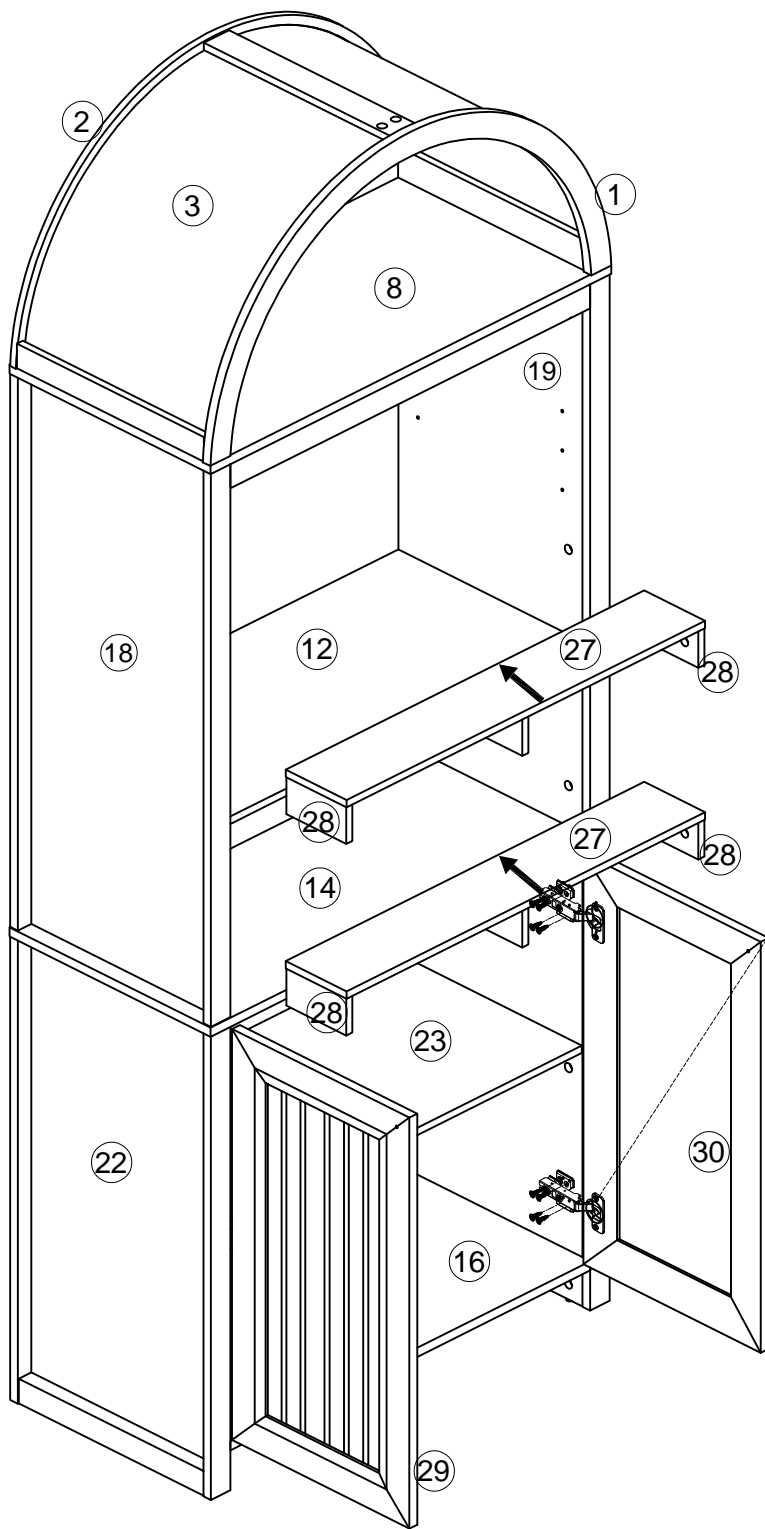


Ø7xØ3.5x12mm

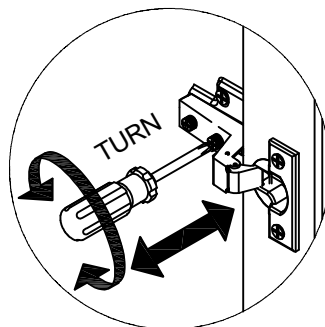
Lx4



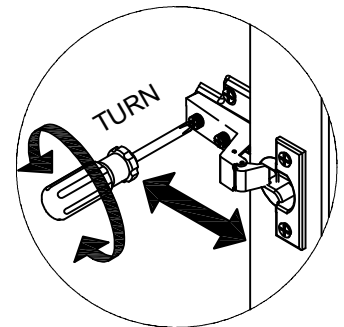
INSTALLATION INSTRUCTION



Loosen this screw and push up/down for a slight up-down adjustment of the door.



Loosen this screw for a slight left-right adjustment of the door.



Loosen this screw and push forward/backward for a slight front-back adjustment of the door.

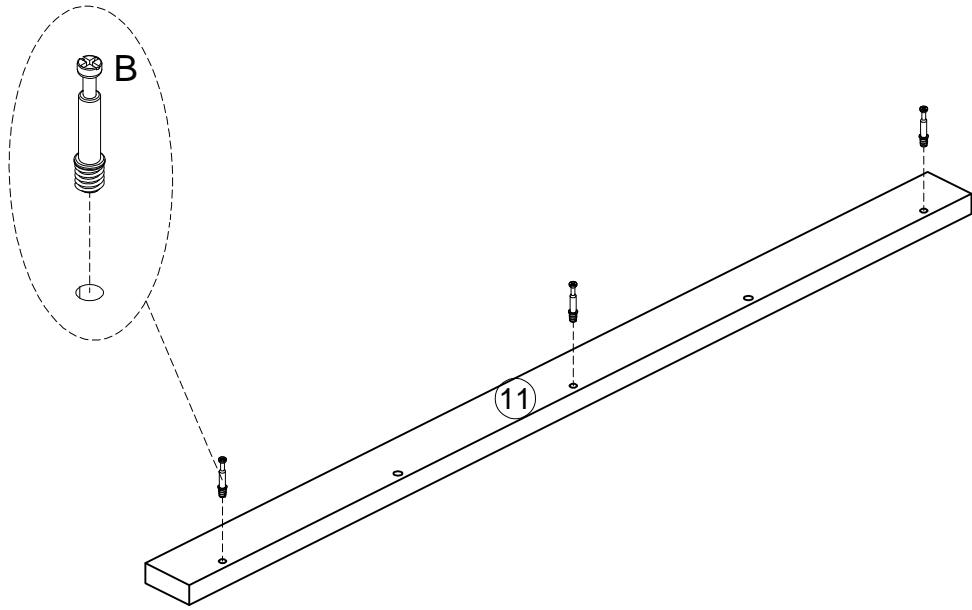
Mx16



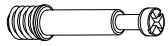
Ø7xØ3.5x12mm

INSTALLATION INSTRUCTION

40

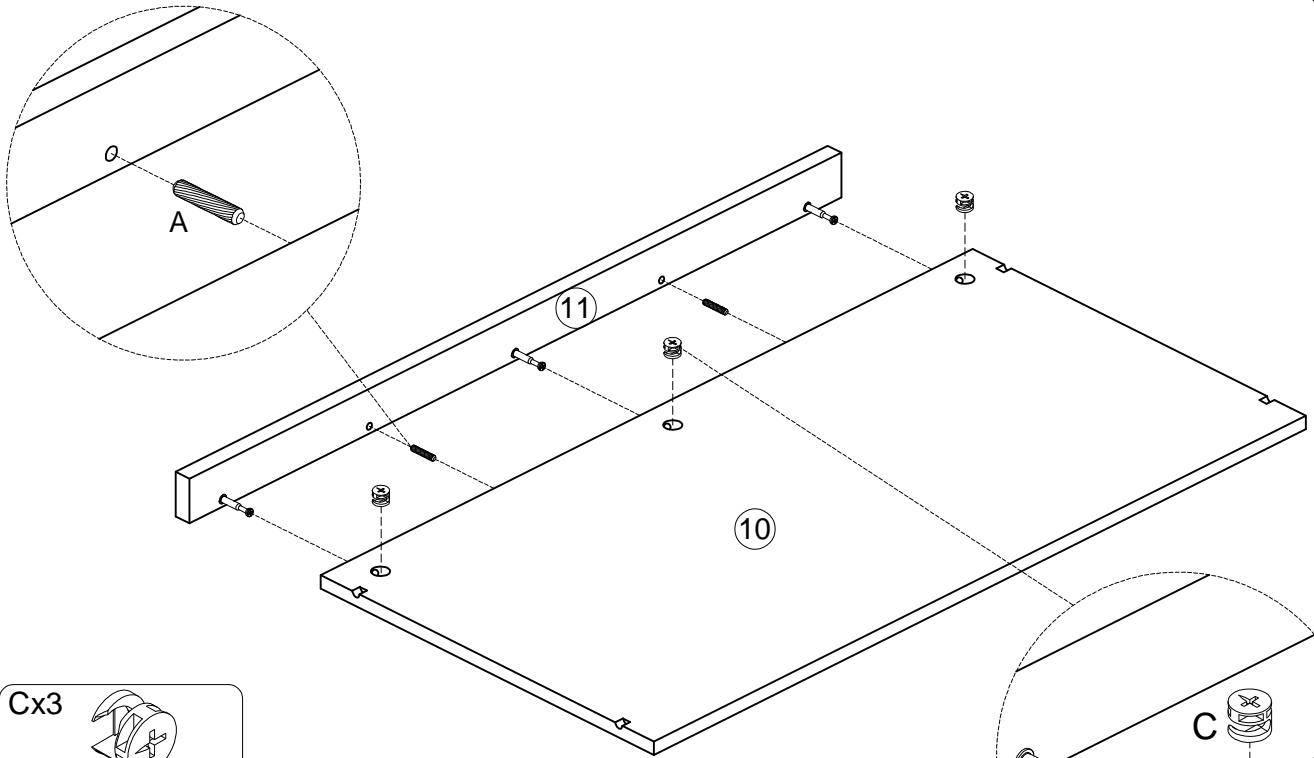


Bx3



Ø6x35mm

41



Cx3

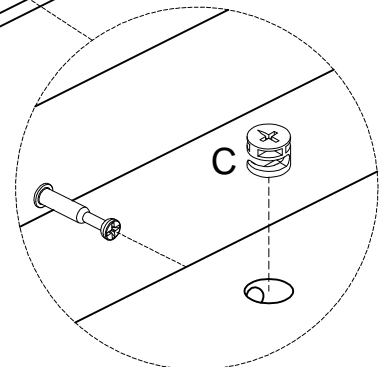


Ø15x10mm

Ax2

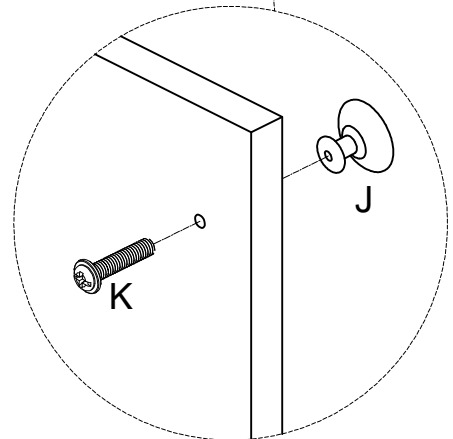
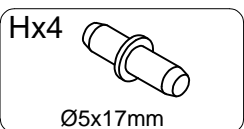
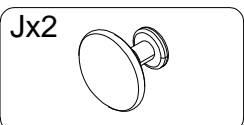
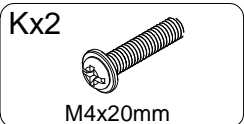
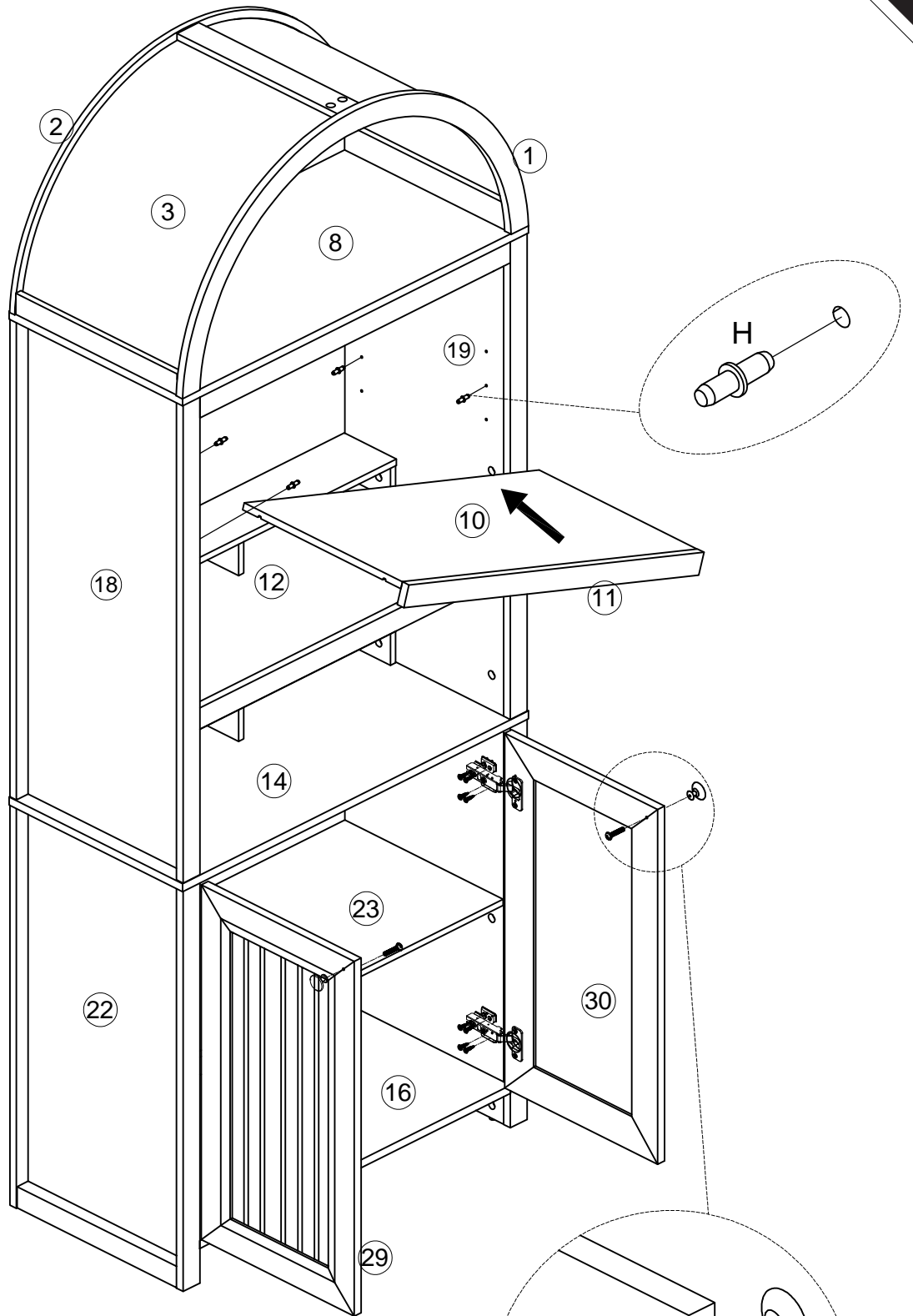


Ø6x30mm



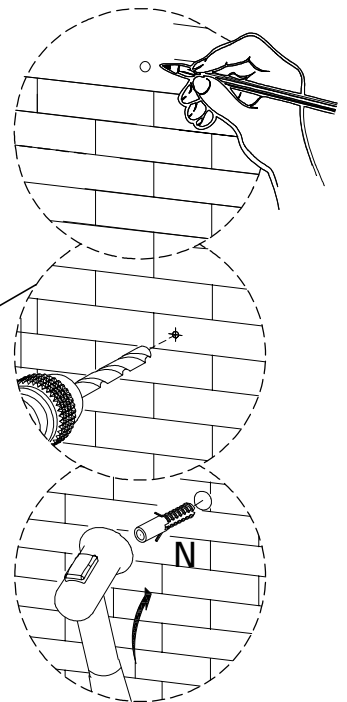
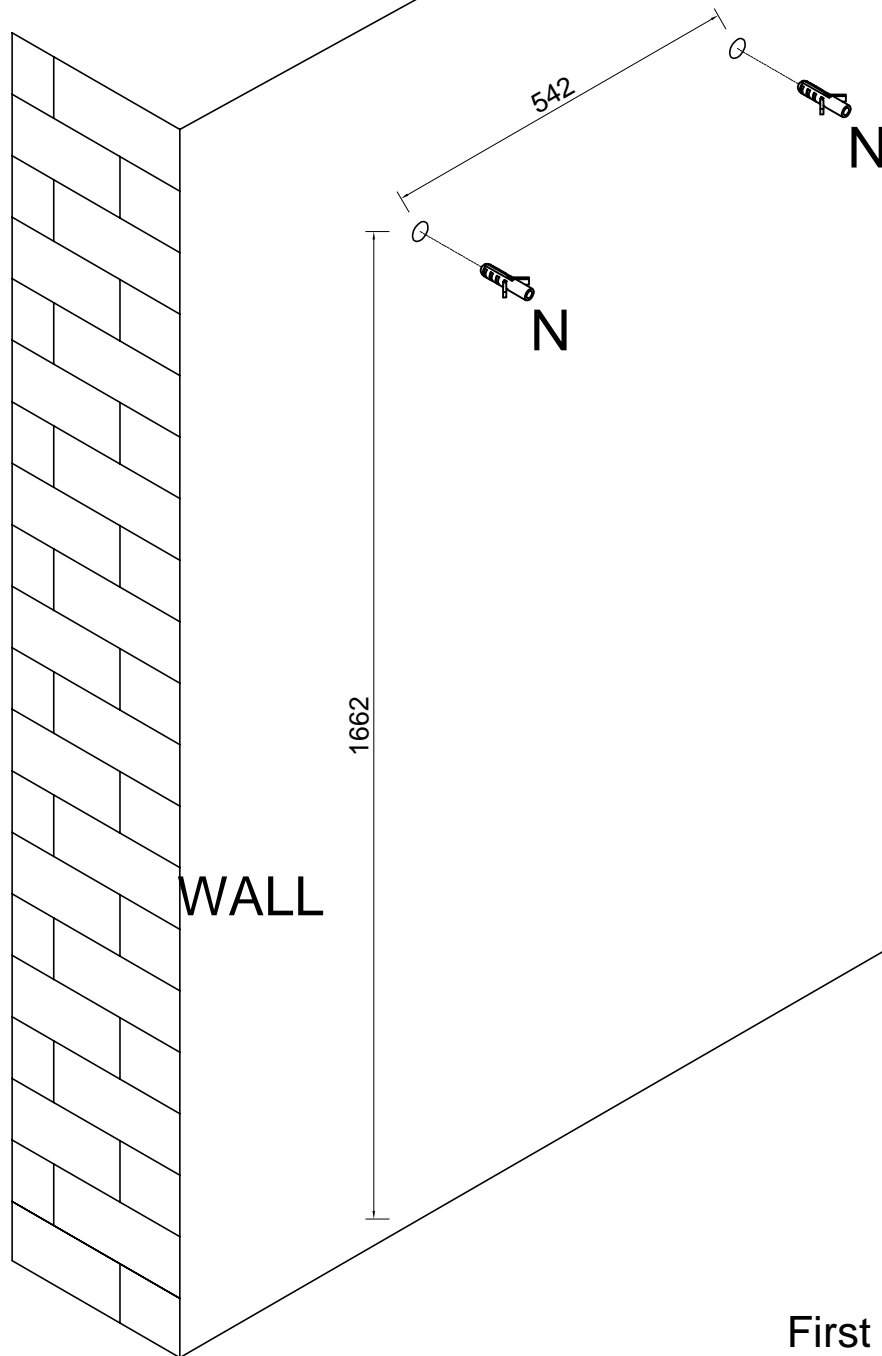
INSTALLATION INSTRUCTION

42

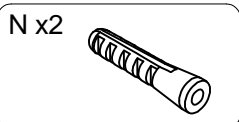


INSTALLATION INSTRUCTION

43

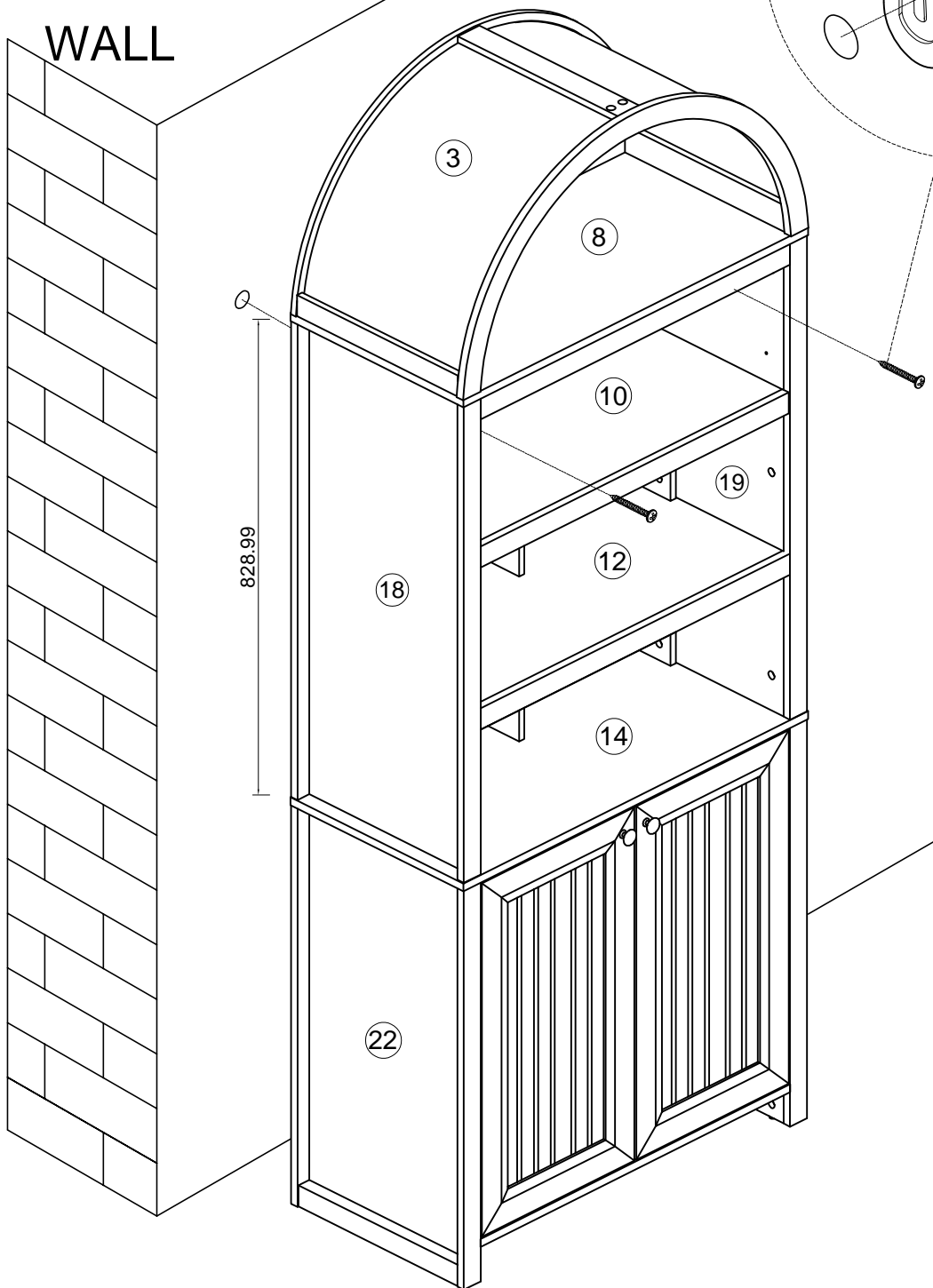


First mark the wall with a pencil, drill the hole to a depth of about 30mm, and knock in the accessory (N)



INSTALLATION INSTRUCTION

44

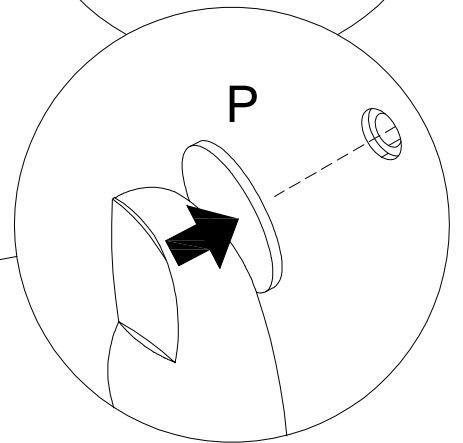
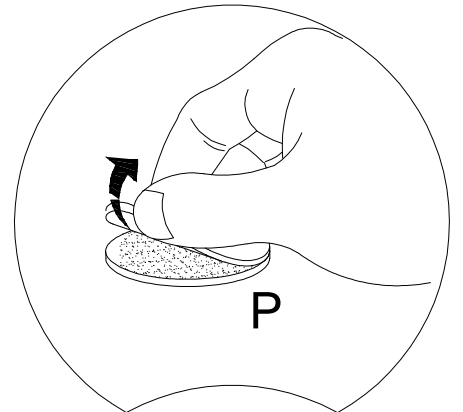
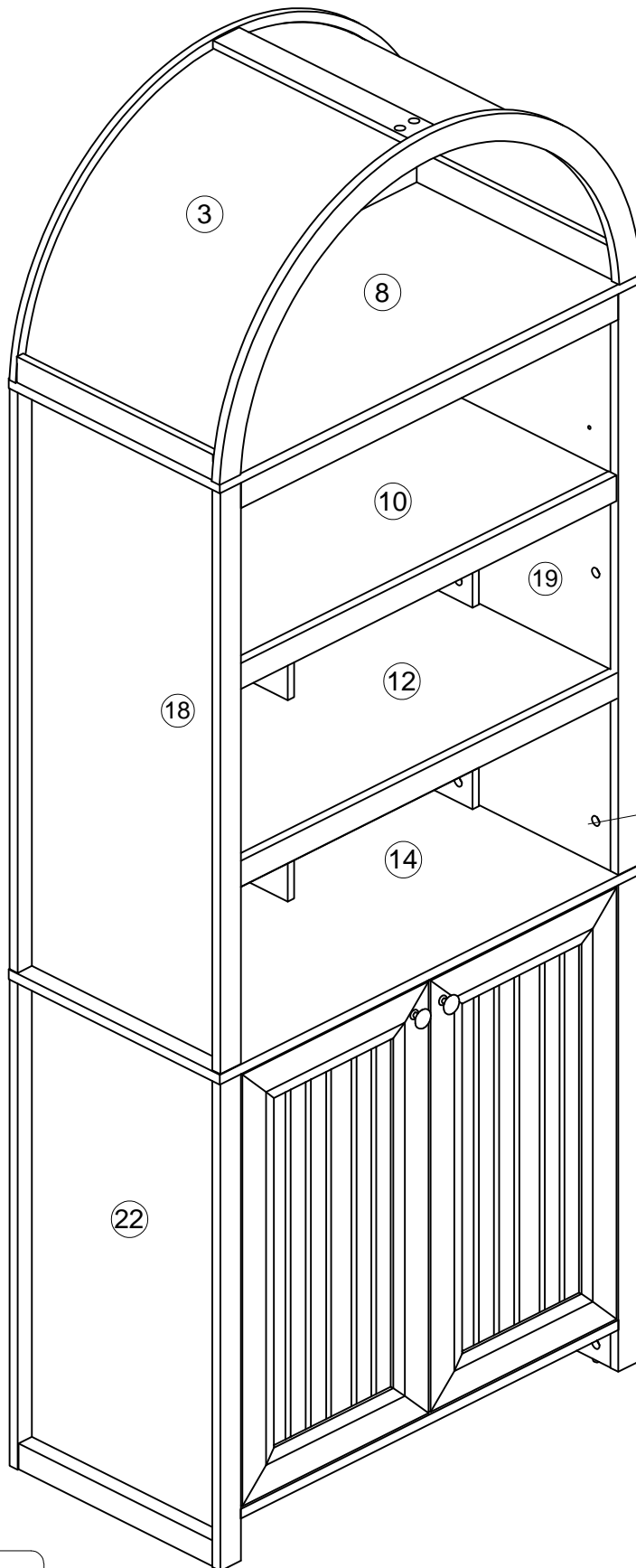


N x2



INSTALLATION INSTRUCTION

45



Cover the visible hole with a cap

P x42



Ø20mm