

Assembly Instructions

Before beginning the assembly process, please read and save these instructions for reference. Following these guidelines will ensure a smooth and successful assembly of your product.

1. Part Identification:

Carefully separate and identify all the parts included in your package. Confirm that you have all the components listed in the instruction manual. This step will help you avoid any missing or misplaced parts during assembly.

2. Work Surface:

To prevent any scratches or damage to the product, assemble it on a soft mat or a similar protective surface. This will provide a cushioned area for the components and protect the surfaces from unwanted marks.

3. Step-by-Step Assembly:

Follow the assembly instructions provided, proceeding one step at a time. Take care to understand each step properly before proceeding to the next one. This sequential approach ensures that the assembly is done correctly and minimizes the chance of errors.

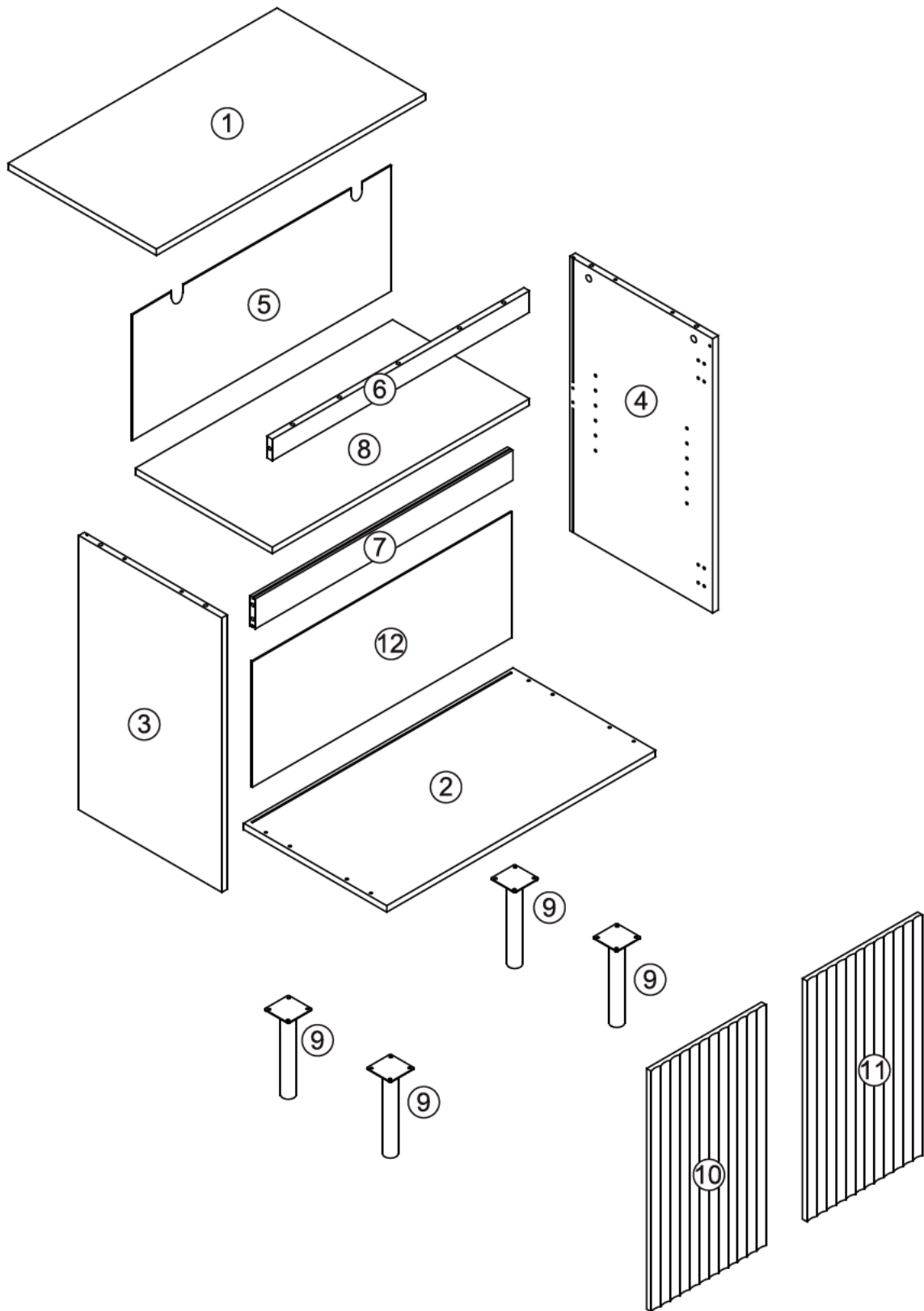
4. Proper Screw Seating:

When attaching screws and nuts, it is essential not to fully tighten them until all screws are correctly seated. By partially tightening each screw and nut initially, you can ensure that they are aligned properly and fit securely before final tightening.
















5. Avoid Over-Tightening:

While each screw and nut should be tightened correctly, it is crucial not to over-tighten them. Over-tightening can cause damage to the product or compromise its structural integrity. Use the appropriate amount of force to secure the components without excessive tightening.

Parts list

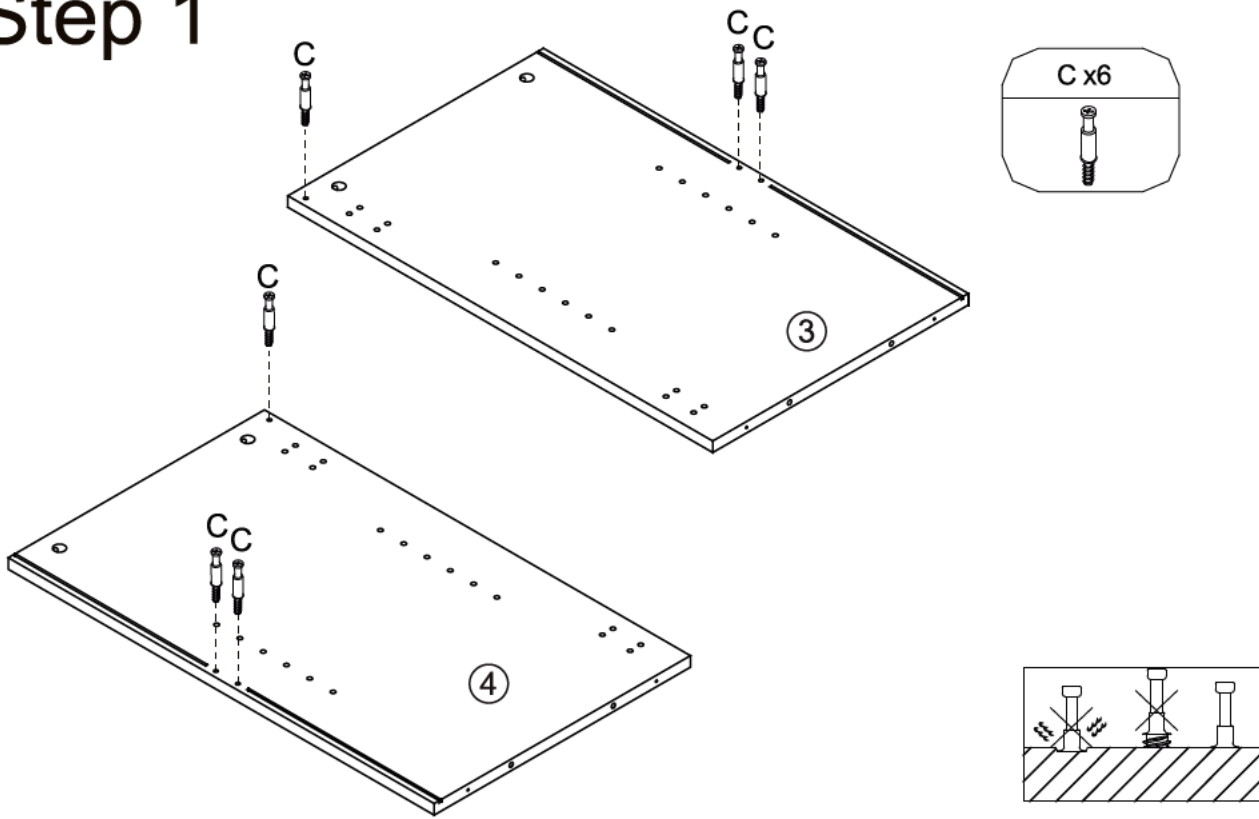


Hardware list

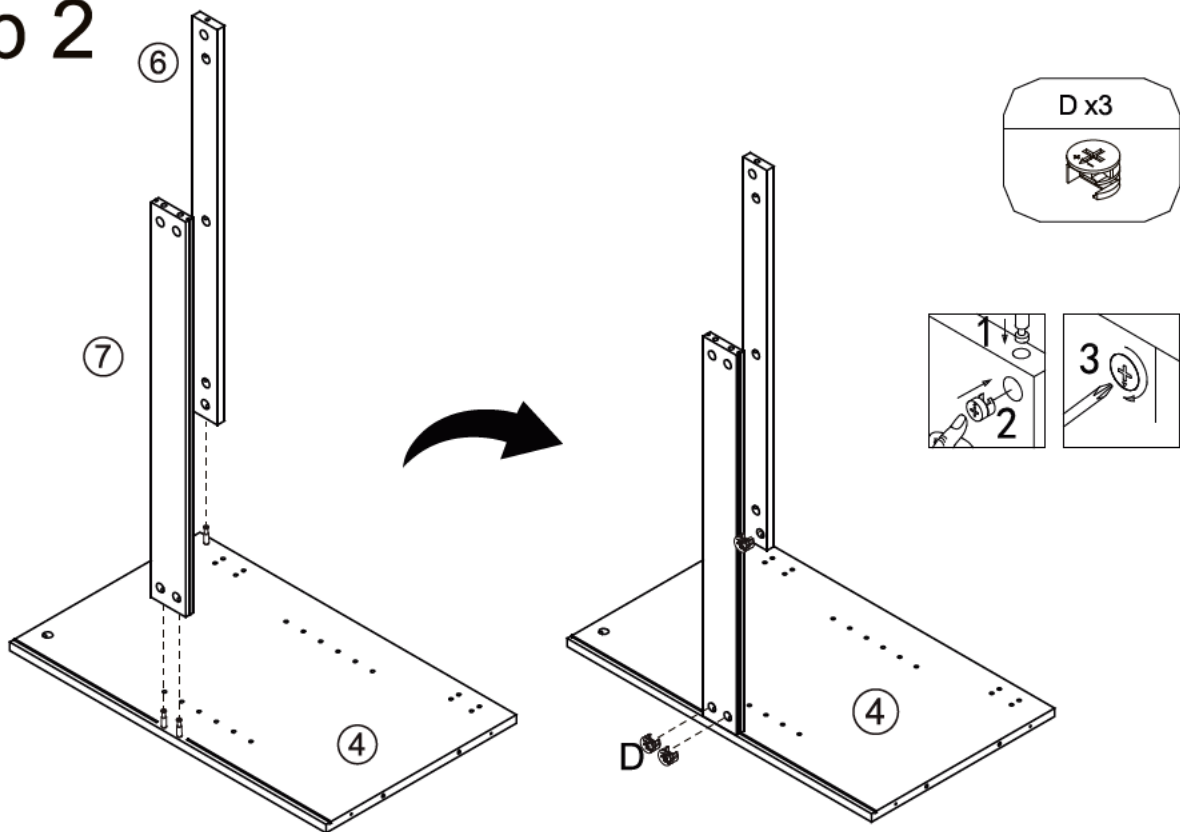
<p>A</p>  <p>x10</p>	<p>B 4x14mm</p>  <p>x24</p>	<p>C</p>  <p>x13</p>	<p>D</p>  <p>x13</p>	<p>E 4x35mm</p>  <p>x6</p>	<p>F 4x14mm</p>  <p>x18</p>	<p>G 3x16mm</p>   <p>x10</p>
<p>H 3x14mm</p>  <p>x4</p>	<p>I</p>  <p>x4</p>	<p>J</p>  <p>x4</p>	<p>K</p>  <p>x2</p>	<p>L</p>   <p>L1 L2 x2</p>	<p>M</p>  <p>x2</p>	

Code	Description	Quantity
A	dowel	10+2
B	Screw	24+2
C	Bolt	13+2
D	Locking nut	13+2
E	Screw	6+2
F	Screw	18+2
G	Wedge. screw	10+2
H	Screw	4+2
I	Shelf plug	4+1
J	hinge	4
K	handle	2
L	Wall strap	2
M	Anti-collision particle	2+2

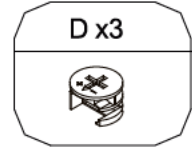
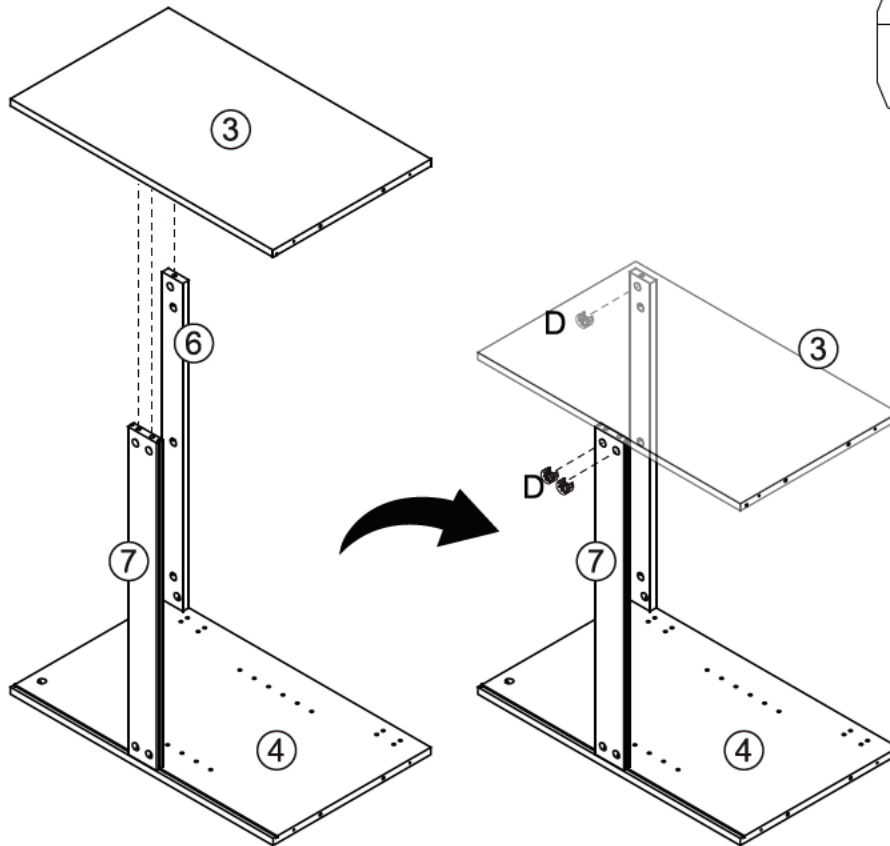
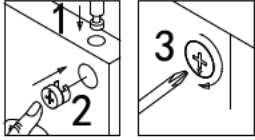
Step 1



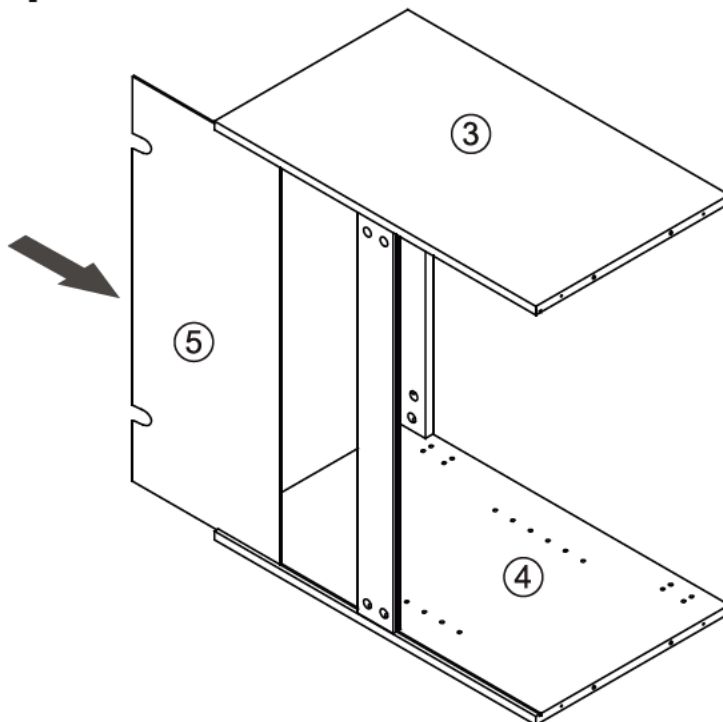
Step 2



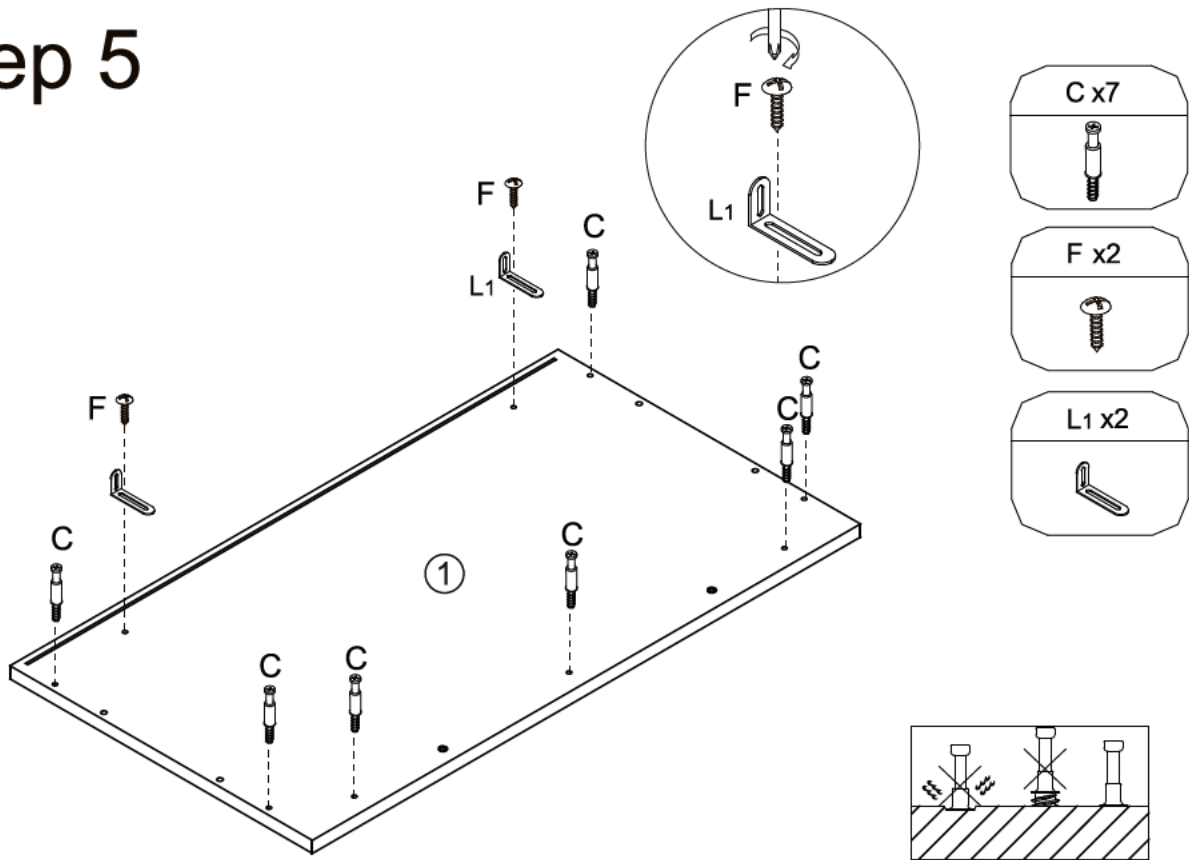
Step 3



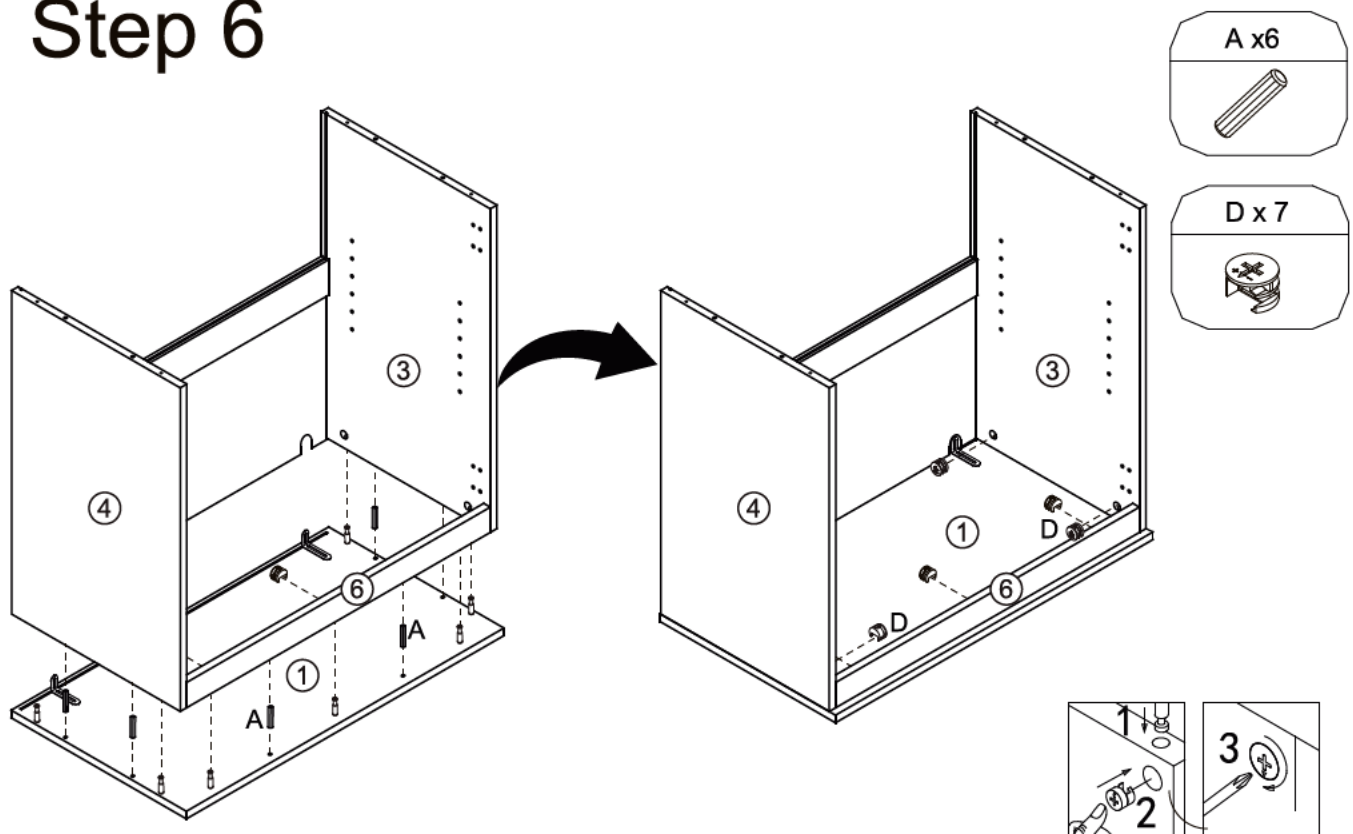
Step 4



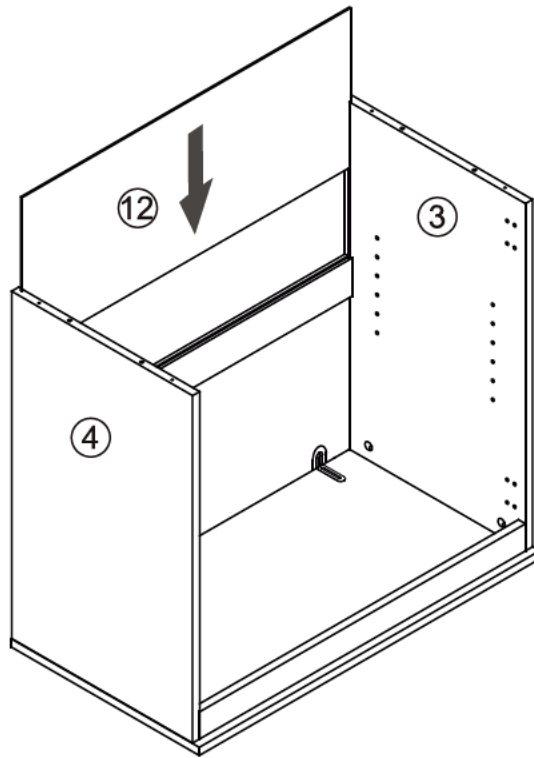
Step 5



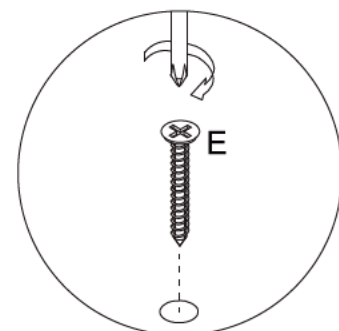
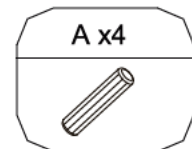
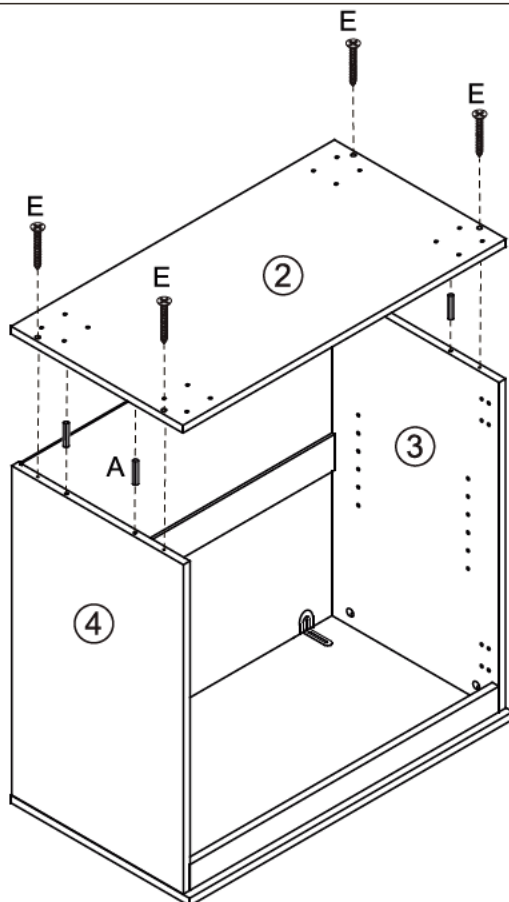
Step 6



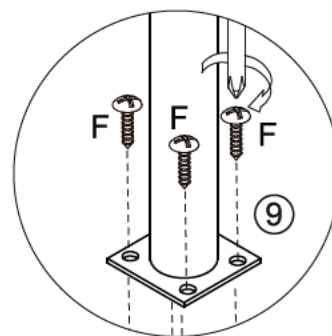
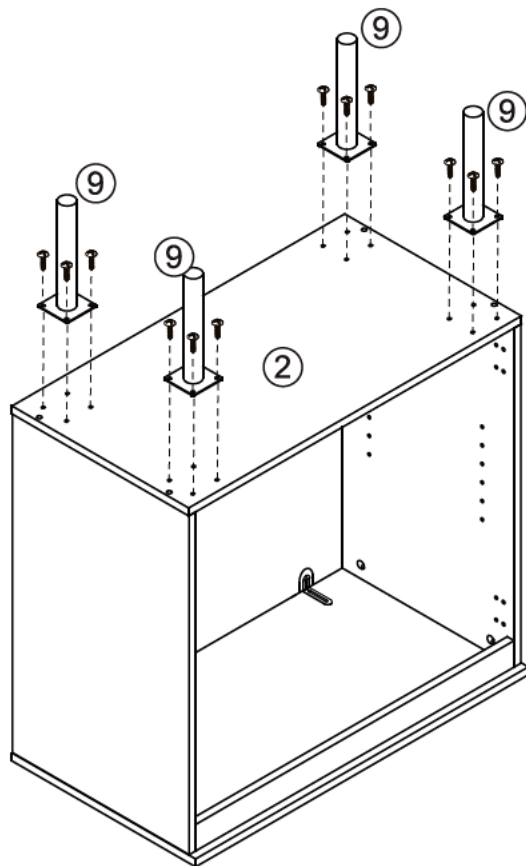
Step 7



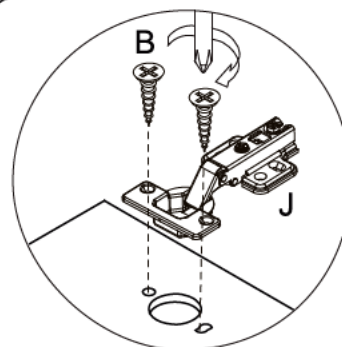
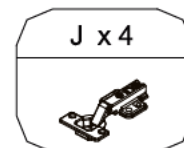
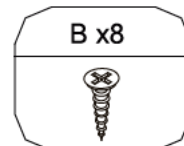
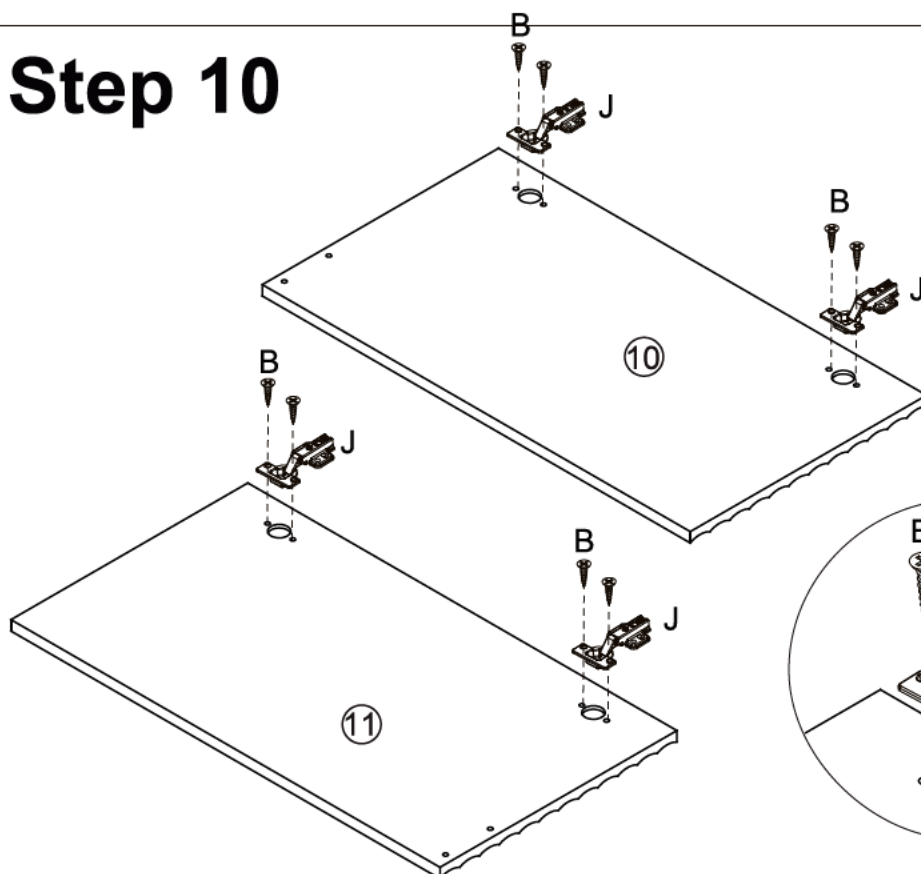
Step 8



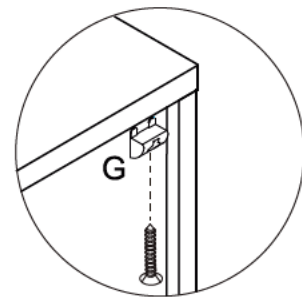
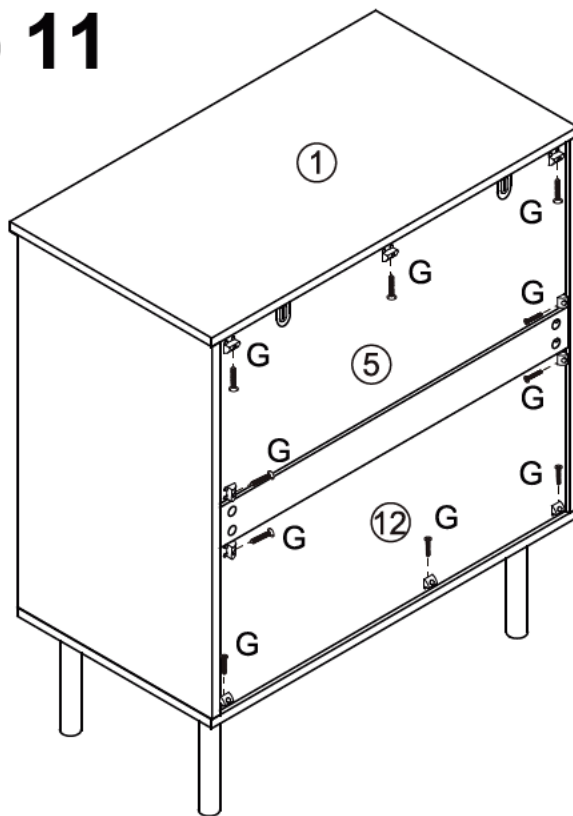
Step 9



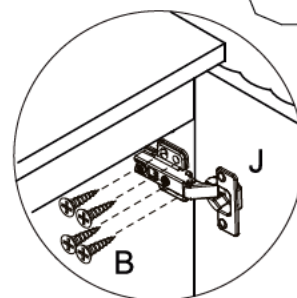
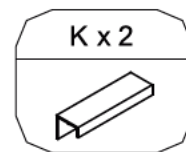
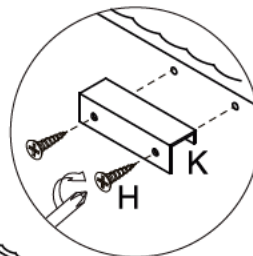
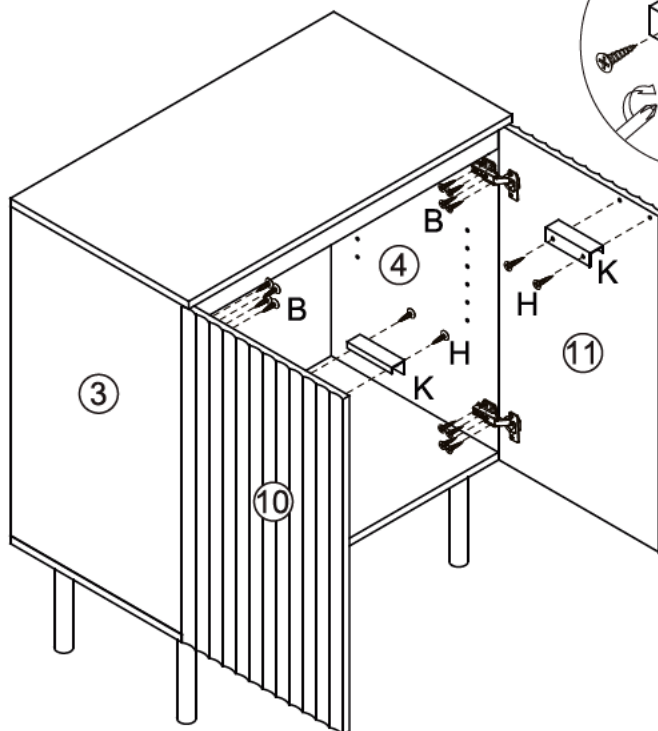
Step 10



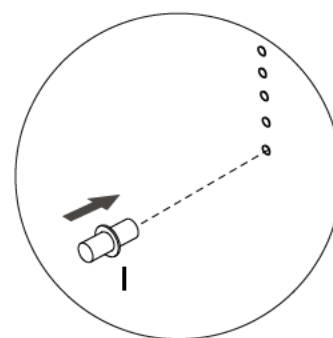
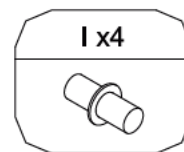
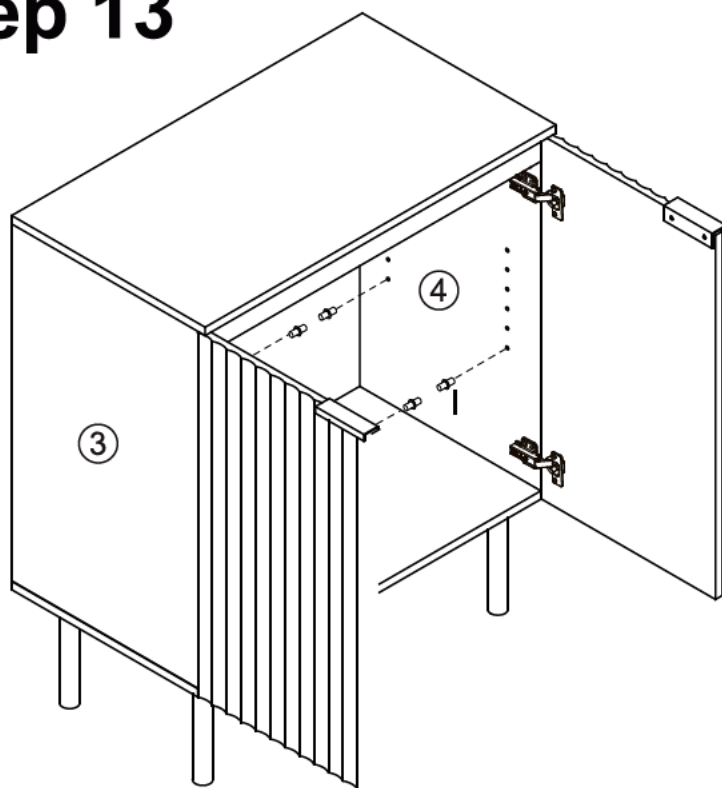
Step 11



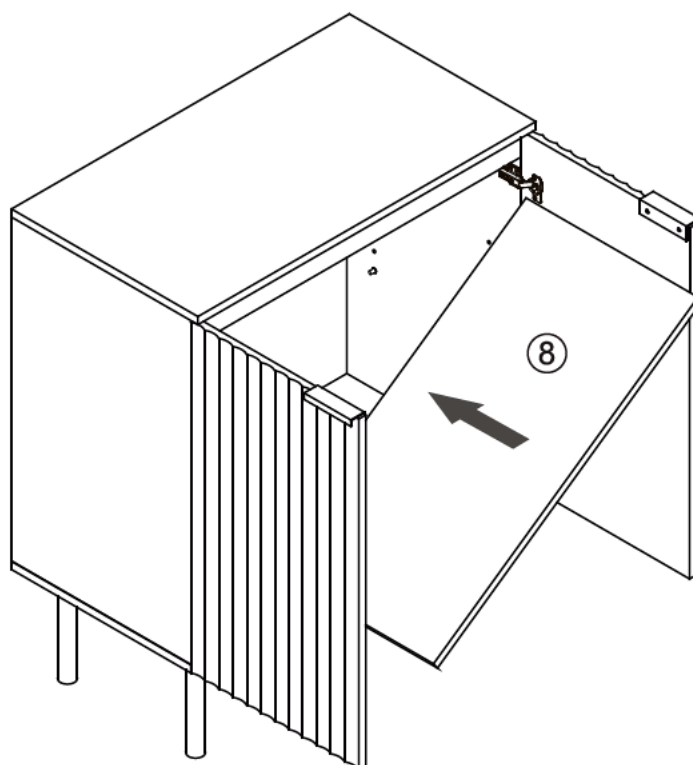
Step 12



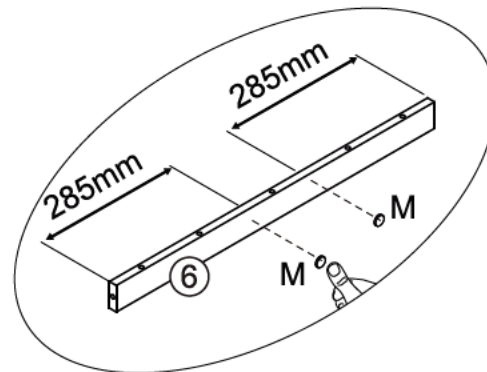
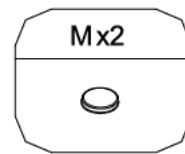
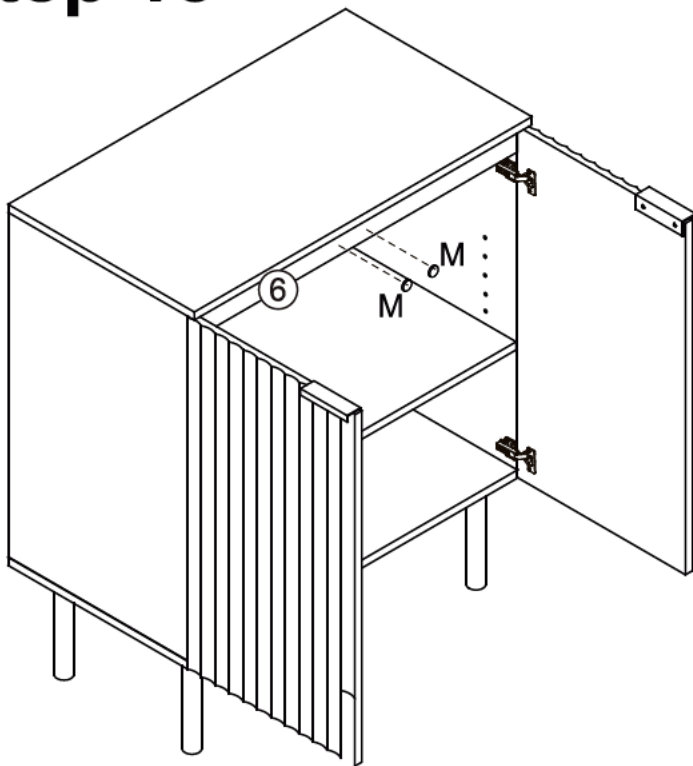
Step 13



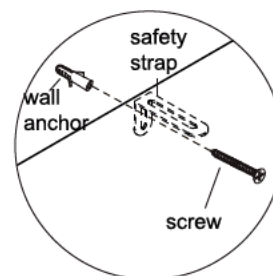
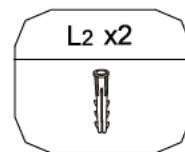
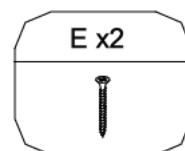
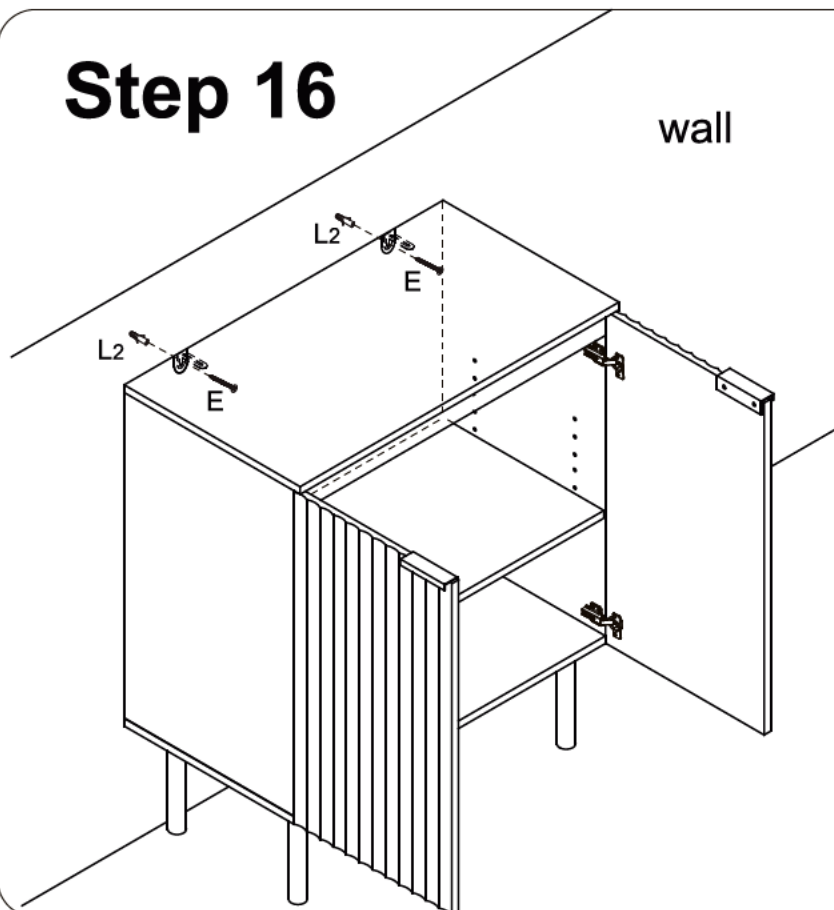
Step 14



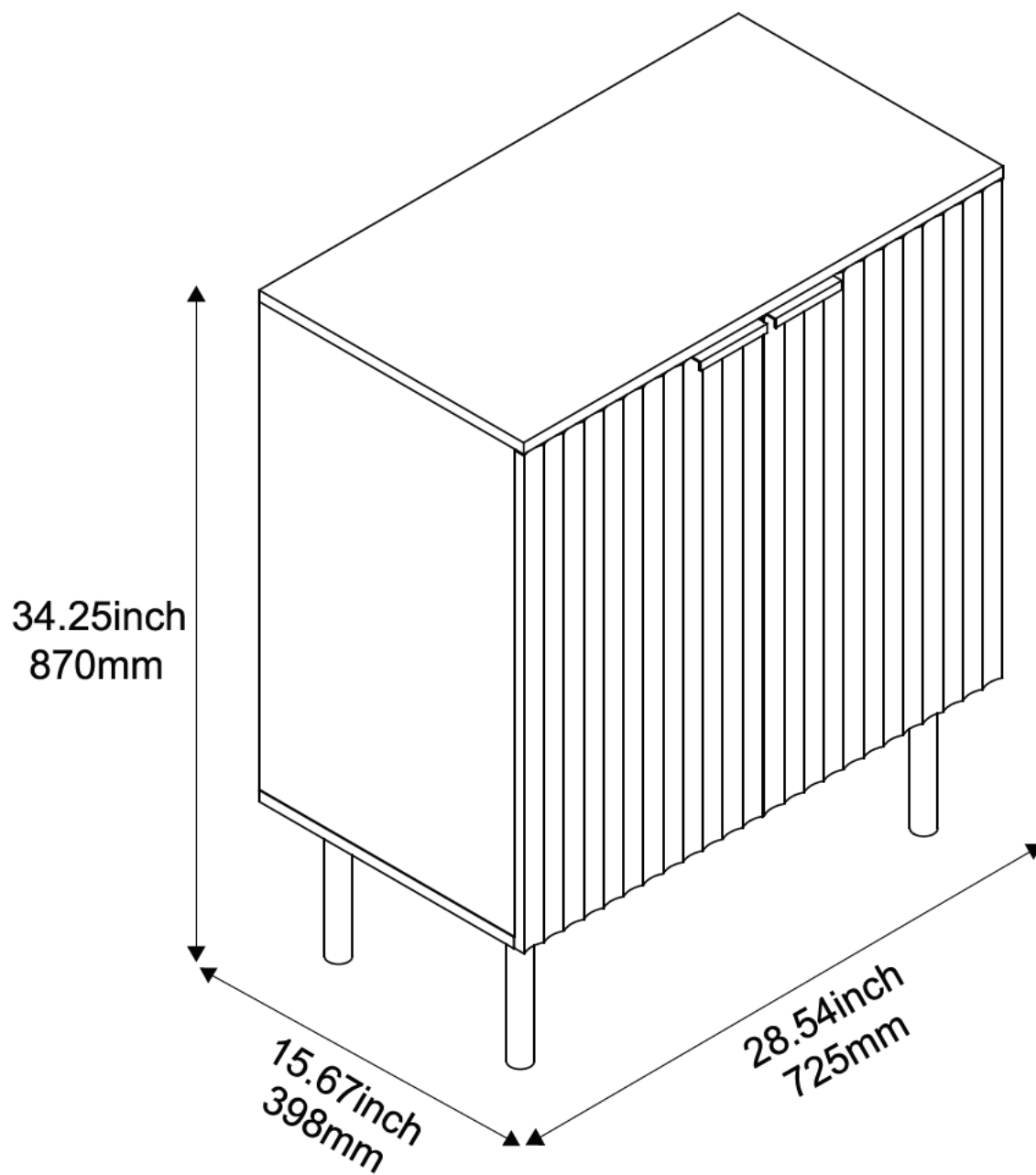
Step 15



Step 16



Step 17

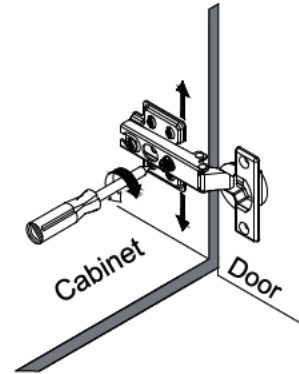
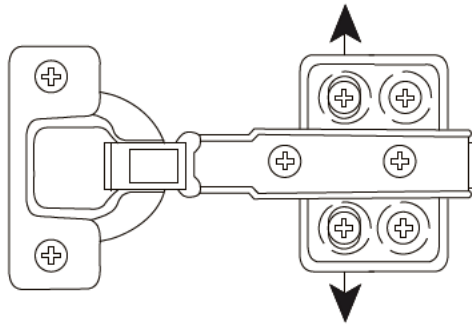
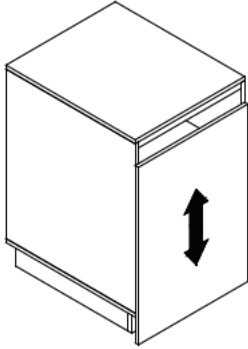


Contact Us: service@sicotas.com

Cabinet Door Adjustment Instructions

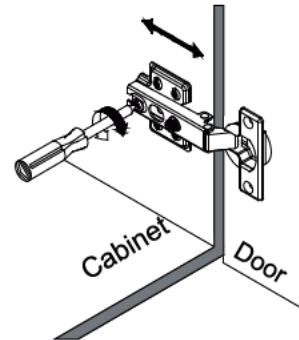
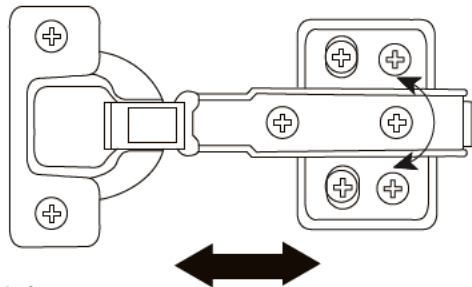
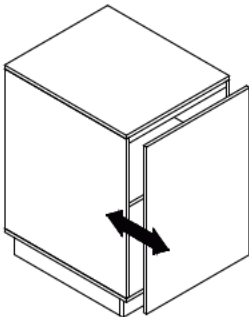
Height adjustment:

- Locate the height adjustment screws on the hinge.
- Use the Phillips screwdriver to either tighten or loosen the screws to raise or lower the cabinet door as desired.



Side-to-side adjustment:

- If the cabinet door needs to be moved closer to or away from the cabinet frame, locate the side-to-side adjustment screws on the hinge.
- Use the Phillips screwdriver to adjust these screws and gradually move the door in the desired direction.



Depth adjustment (if applicable):

- Check if the cabinet door needs to be brought closer to or further away from the cabinet frame.
- For-depth adjustment, locate the depth adjustment screws on the hinge.
- Use the Phillips screwdriver to turn these screws clockwise or counterclockwise accordingly.

