

Assembly Instructions



Safety And Care Advice

Important – Please read these instructions fully before starting assembly.

Please check if all the components and tools listed out are received.

Please remove all fittings from the plastic bags and separate them into homologous groups.

Please keep children and animals away from the working areas; swallow small parts may cause suffocation.

Please make sure you have enough space to lay out the parts before starting.

Do not stand on the product, which could cause damage.

Please assemble the product as close to its final position as possible.

Do not place furniture directly in front of radiators, fires, or any other source of heat.

The assembly will be easier with 2 people.

Please dispose of all packaging carefully and responsibly.



General care and maintenance

Please clean with a damp cloth or mild detergent, do not use bleach or abrasive cleaners.

Do not allow the spill to stay on the surface for a long time.

Do not clean with products containing the following: acetone (e.g., nail varnish remover), ammonia (e.g.bleach), or sodium hydroxide(e.g., caustic soda, drain, and oven cleaners).

If the product is accidentally exposed to the irritating liquid, rinse thoroughly with clean water.

Mats can be used to protect surfaces from moisture and heat.




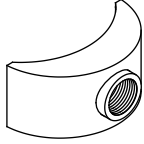
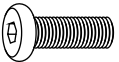
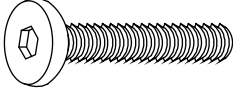
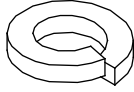
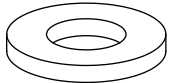
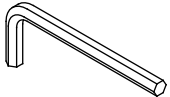
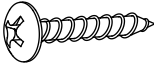
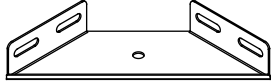
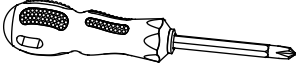
Please check whether there are missing screws in the product regularly.

The product should not be discarded with household waste, and please take it to your local authority waste disposal center.

Components

Please check if all the pieces listed below are received.

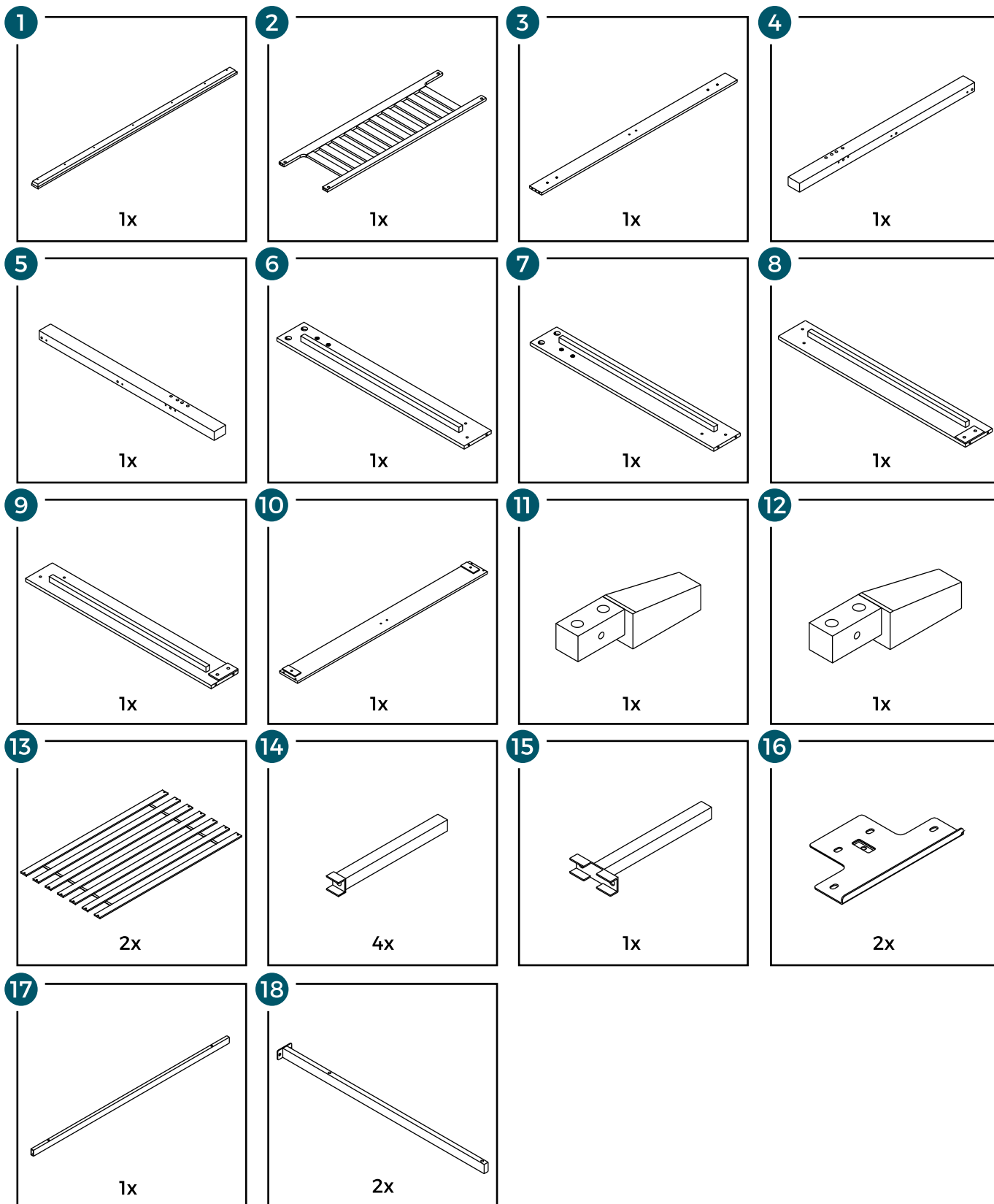
Hardware

A Cam bolt  12x	B Cam lock  12x	C Wood dowel  Ø8*30 mm 21x	D Half moon nut  4x
E Bolt  M6*16 mm 22x	F Bolt  M6*50 mm 17x	G Lock washer  37x	H Flat washer  37x
I Allen wrench  1x	J Screw  Ø8*20 mm 28x	K  2x	L Ratchet Screwdriver  1x

Components

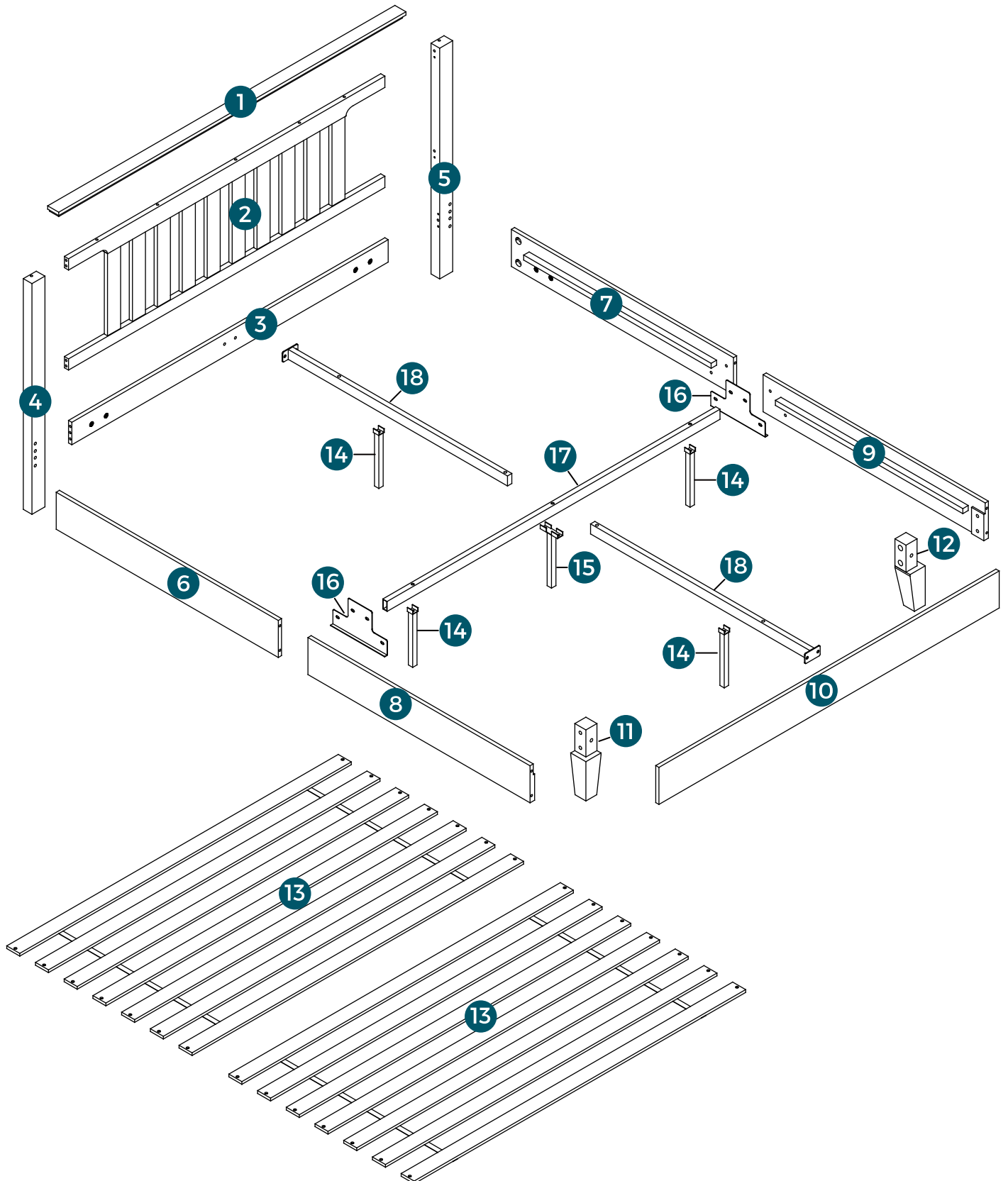
Please check if all the pieces listed below are received.

Parts



Exploded diagram illustration

Please check if all the pieces listed below are received.

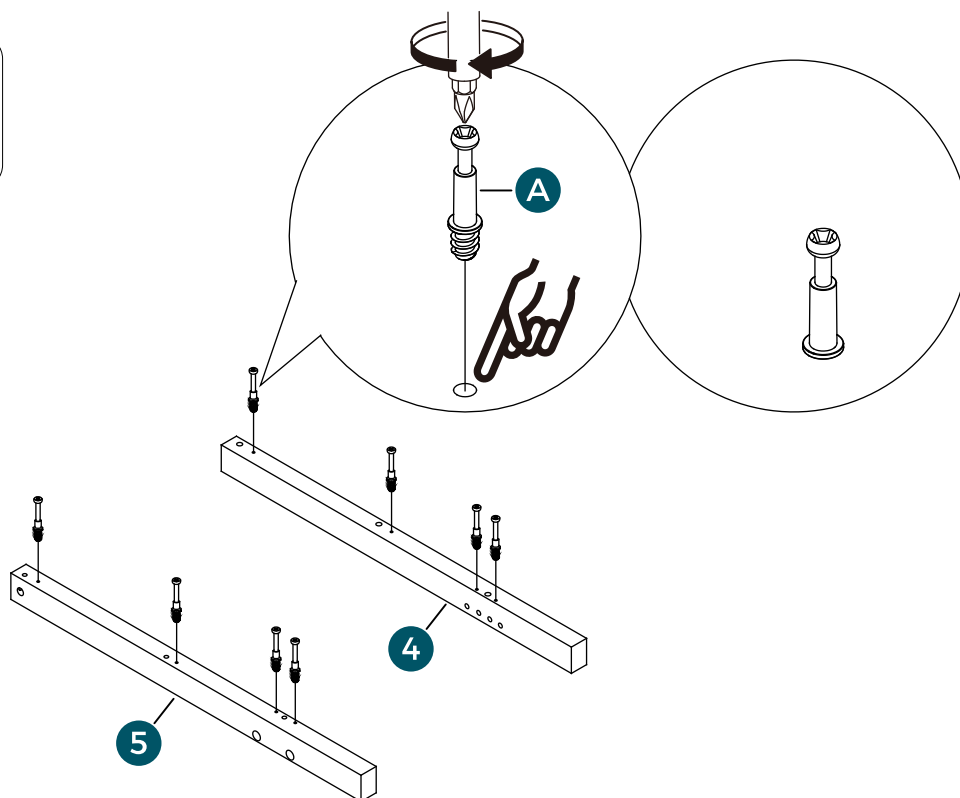
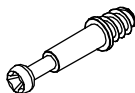


Assembly Instructions

Caution: Inappropriate installation of screws will cause damages to the product!

Step 1

A x 8pcs

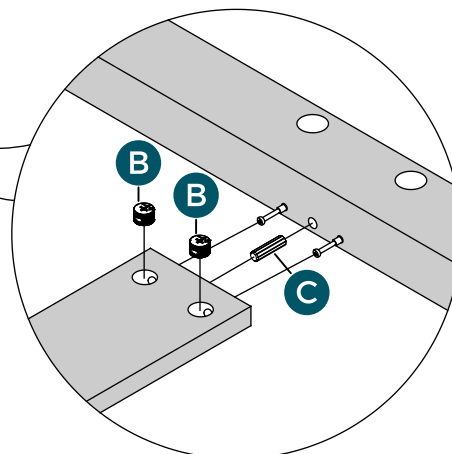
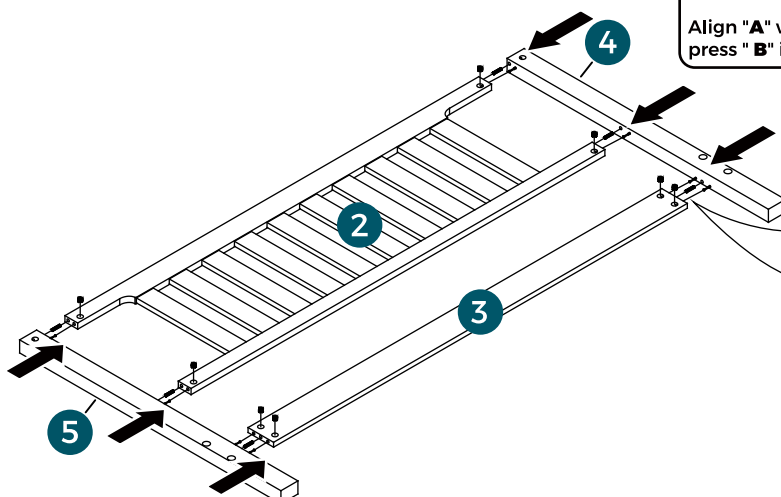
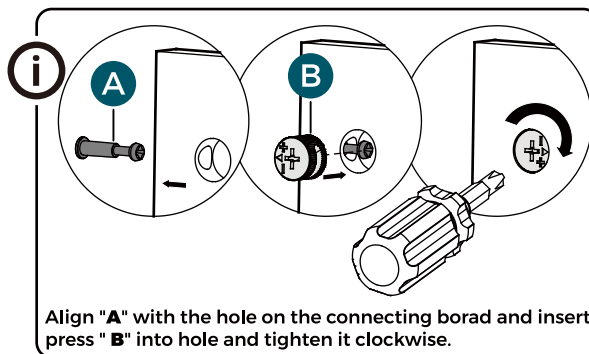


Step 2

B x 8pcs



C x 6pcs

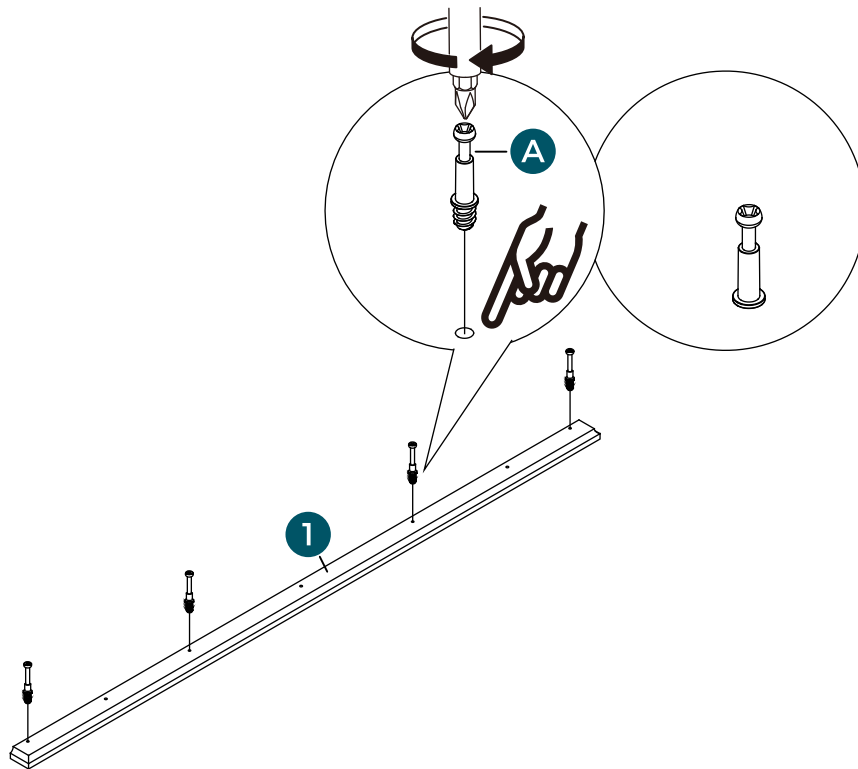
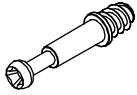


Assembly Instructions

Caution: Inappropriate installation of screws will cause damages to the product!

Step 3

A x 4pcs

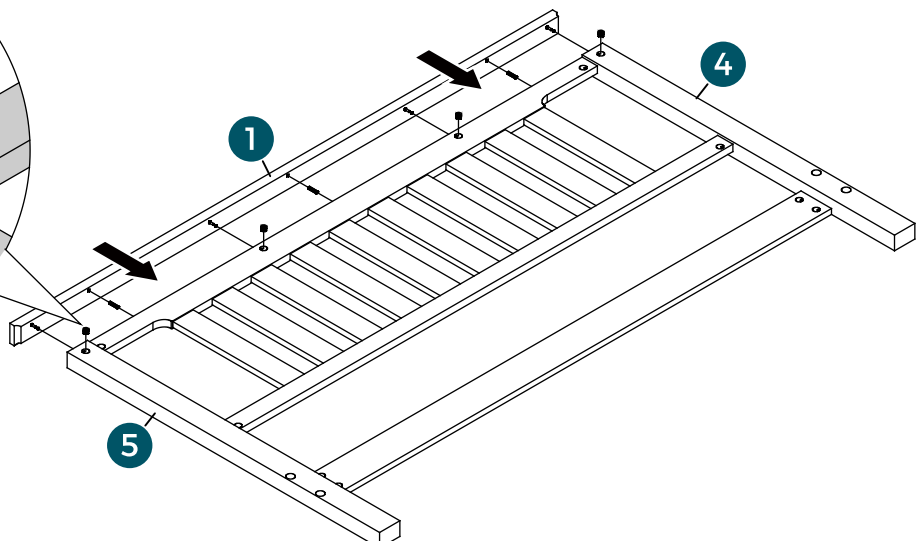
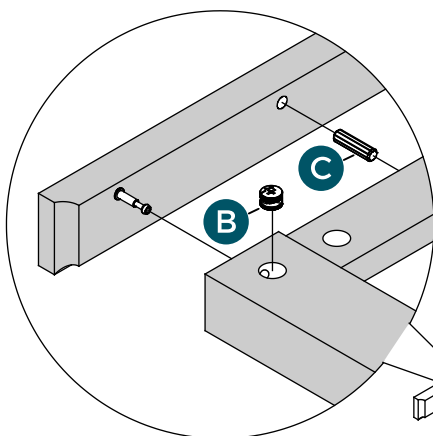
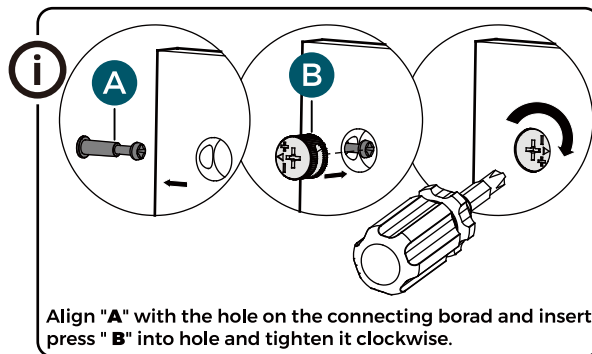


Step 4

B x 4pcs



C x 3pcs

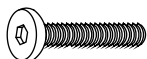


Assembly Instructions

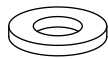
Caution: Inappropriate installation of screws will cause damages to the product!

Step 5

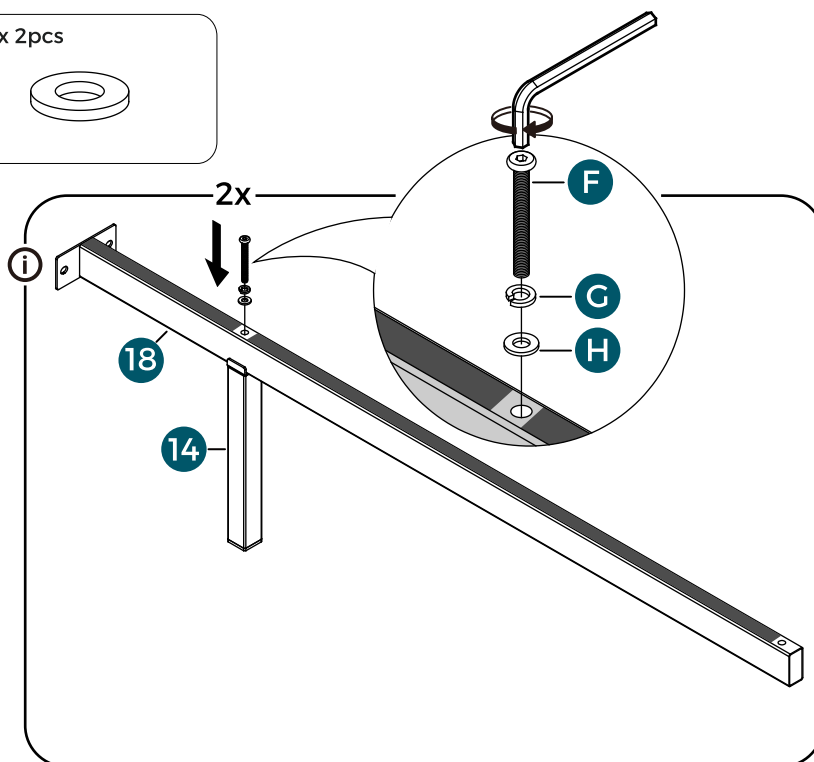
F x 2pcs



H x 2pcs



G x 2pcs



Step 6

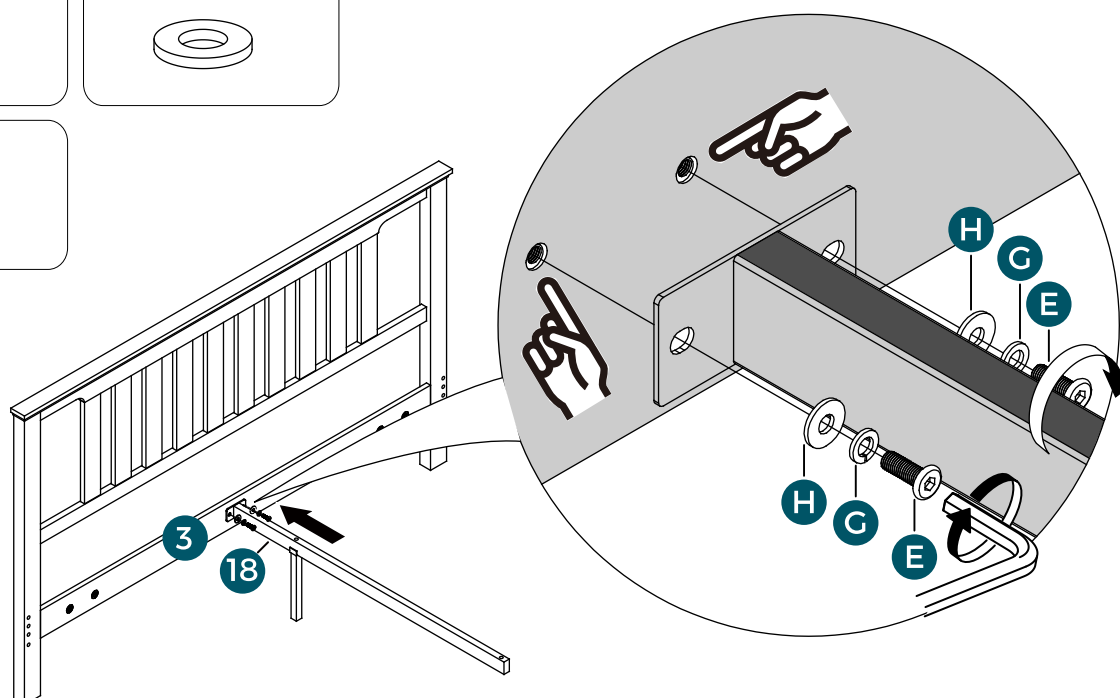
E x 2pcs



H x 2pcs



G x 2pcs

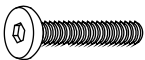


Assembly Instructions

Caution: Inappropriate installation of screws will cause damages to the product!

Step 7

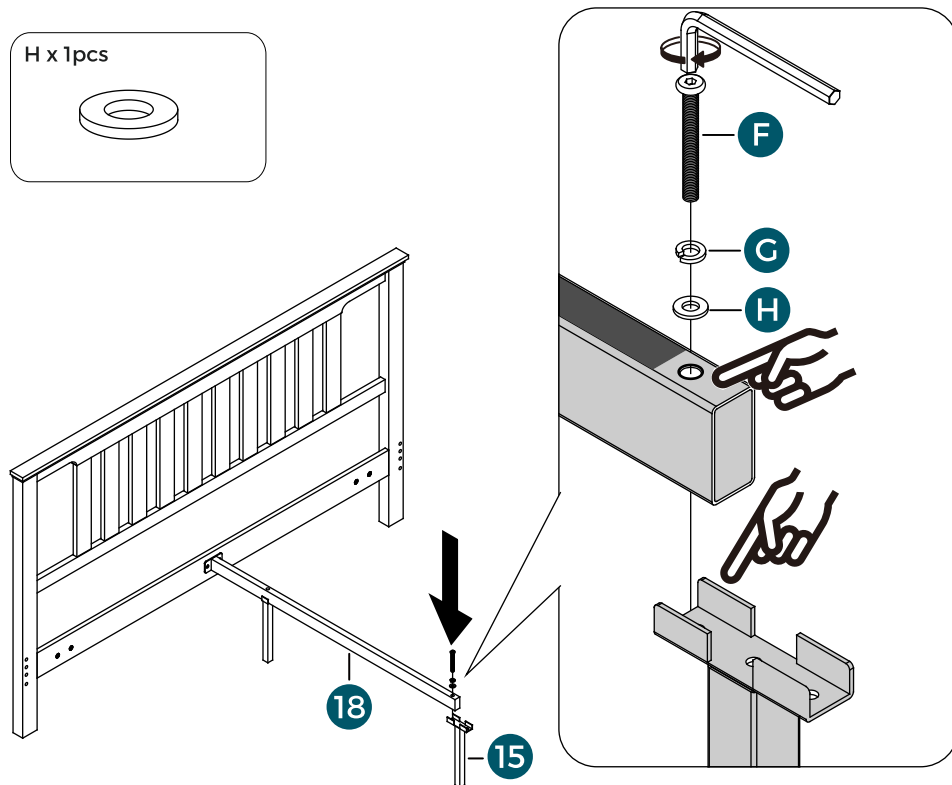
F x 1pcs



H x 1pcs

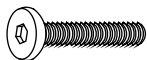


G x 1pcs



Step 8

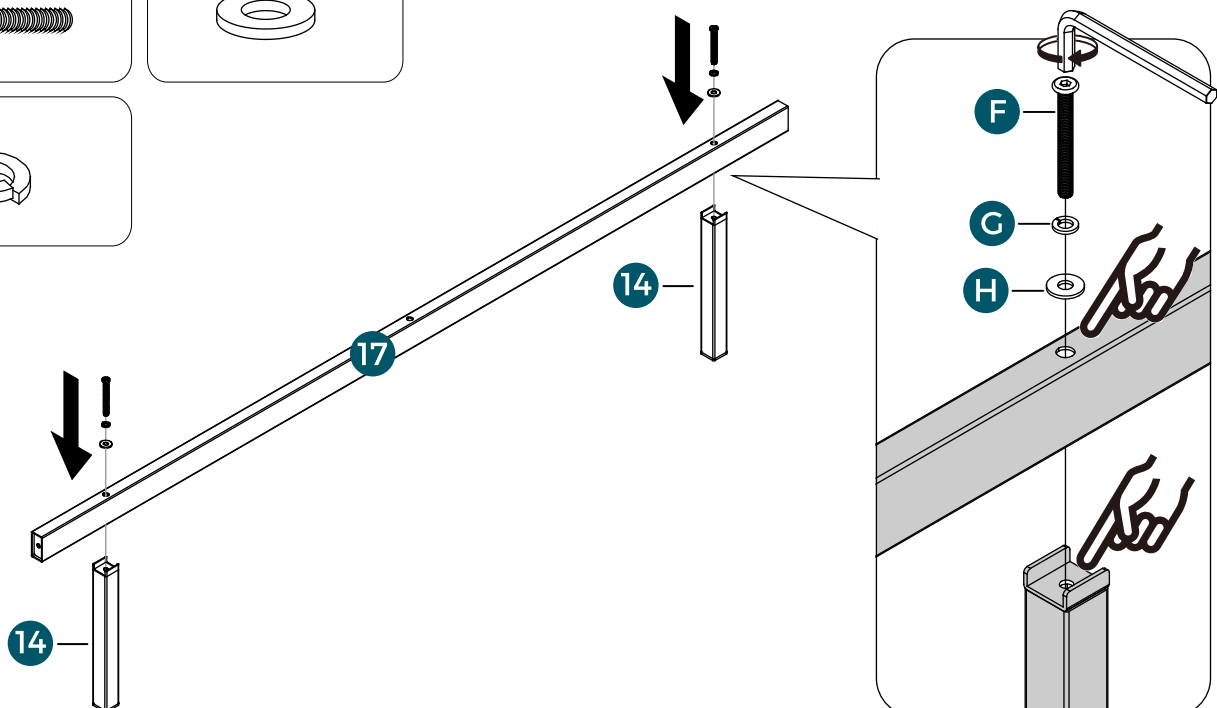
F x 2pcs



H x 2pcs



G x 2pcs

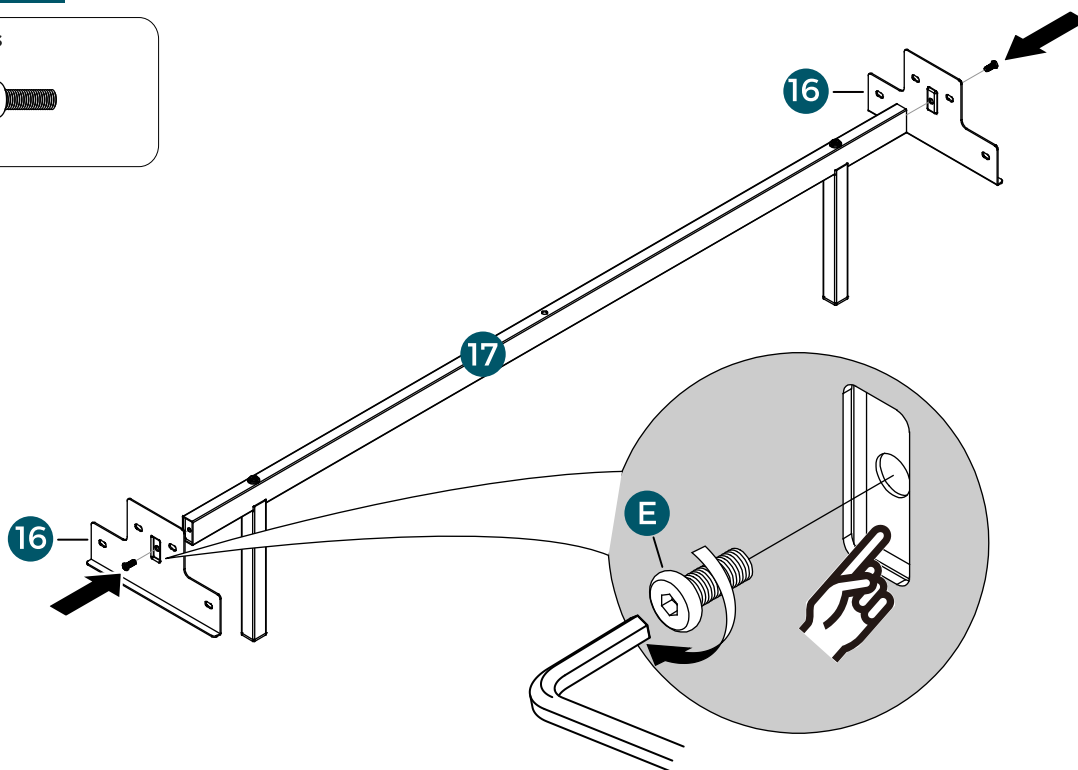


Assembly Instructions

Caution: Inappropriate installation of screws will cause damages to the product!

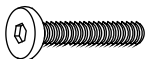
Step 9

E x 2pcs



Step 10

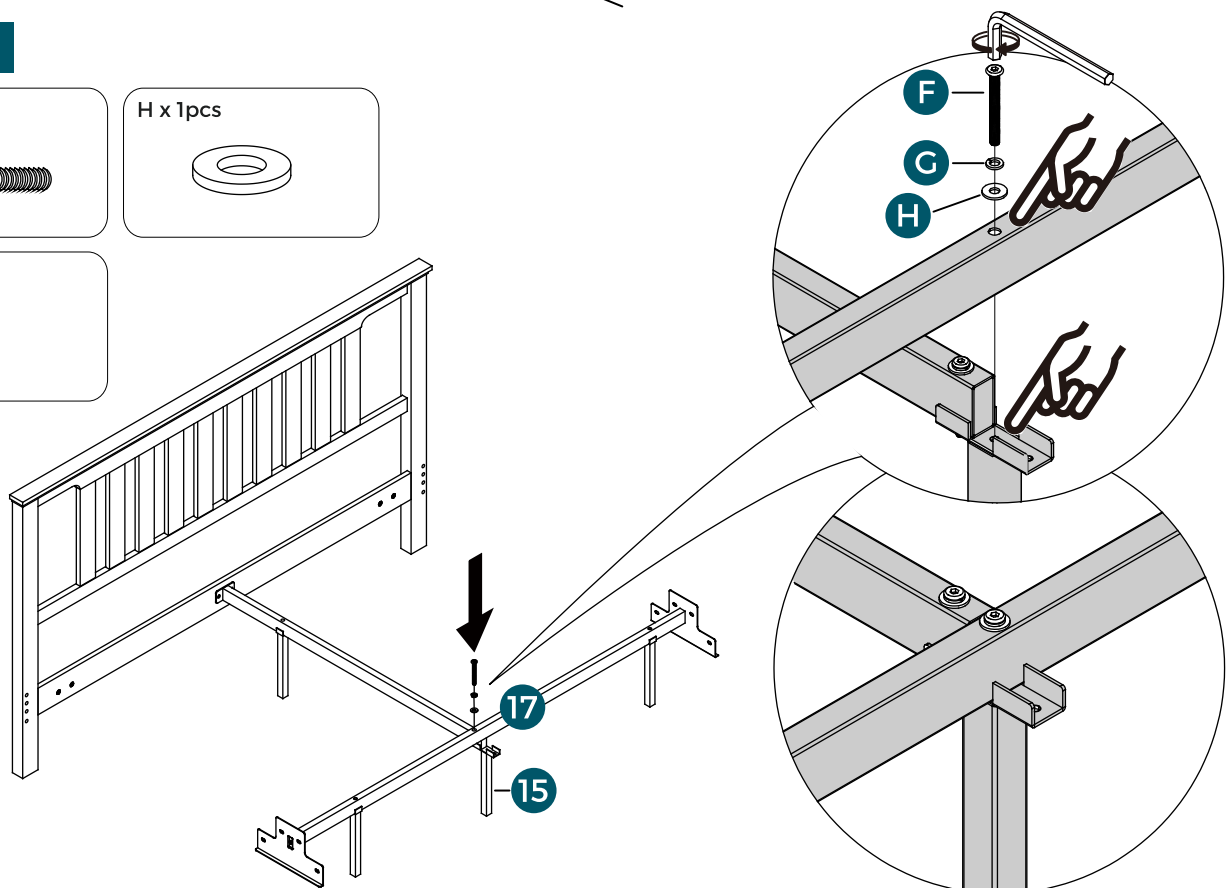
F x 1pcs



H x 1pcs



G x 1pcs



Assembly Instructions

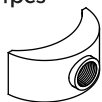
Caution: Inappropriate installation of screws will cause damages to the product!

Step 11

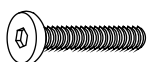
C x 4pcs



D x 4pcs



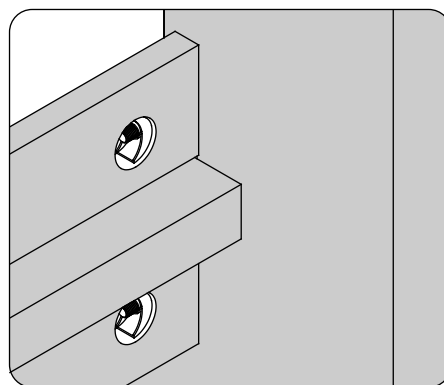
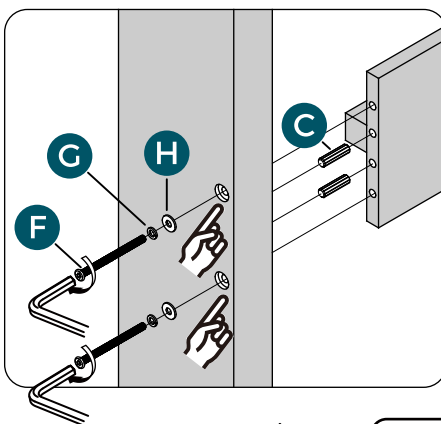
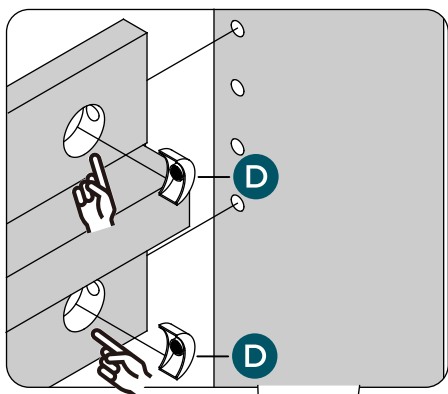
F x 4pcs



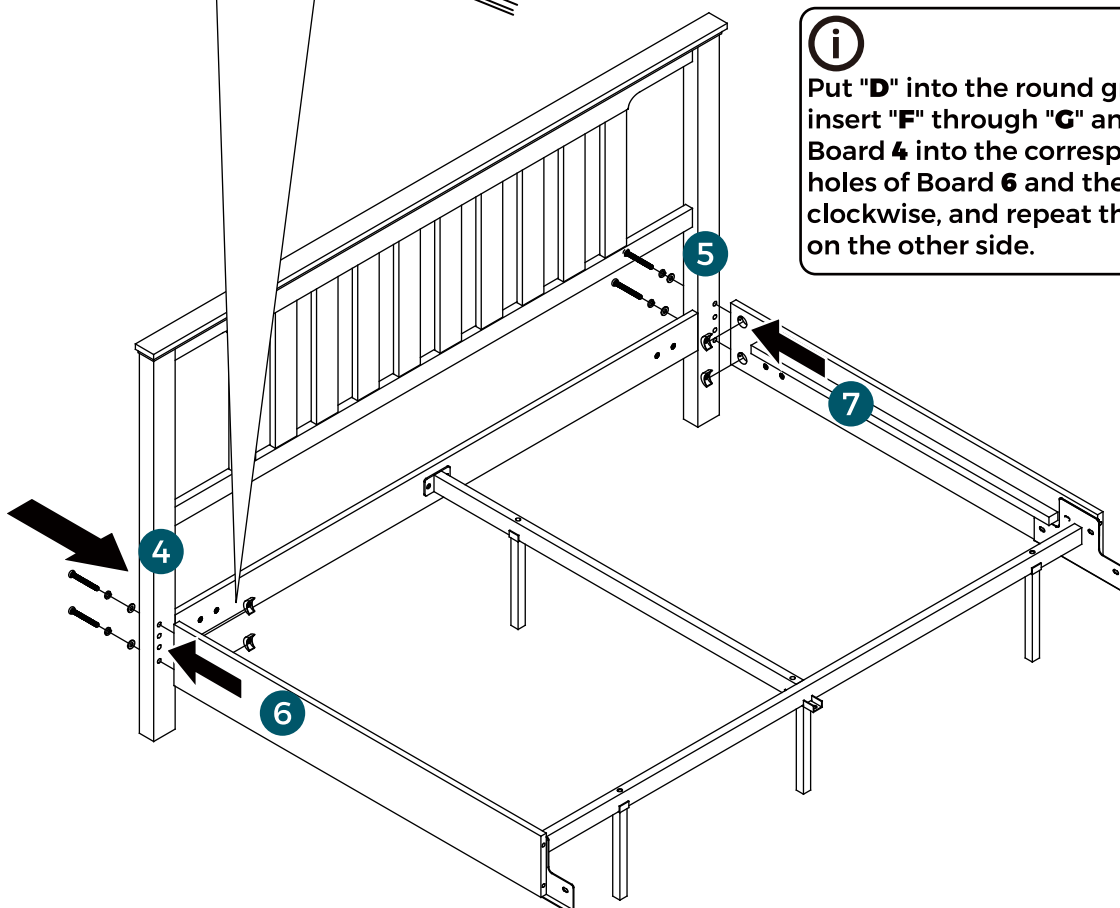
G x 4pcs



H x 4pcs



Put "D" into the round groove of Board 6, insert "F" through "G" and "H" from the Board 4 into the corresponding screw holes of Board 6 and then tighten them clockwise, and repeat the same steps on the other side.



Assembly Instructions

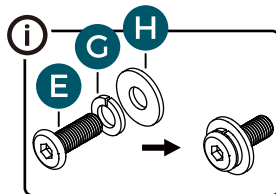
Caution: Inappropriate installation of screws will cause damages to the product!

Step 12

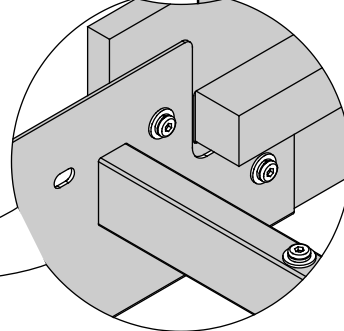
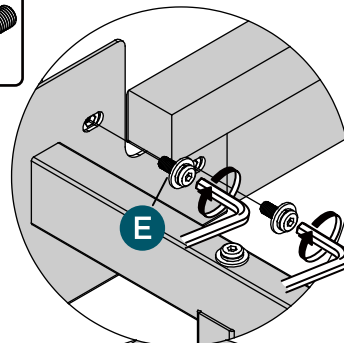
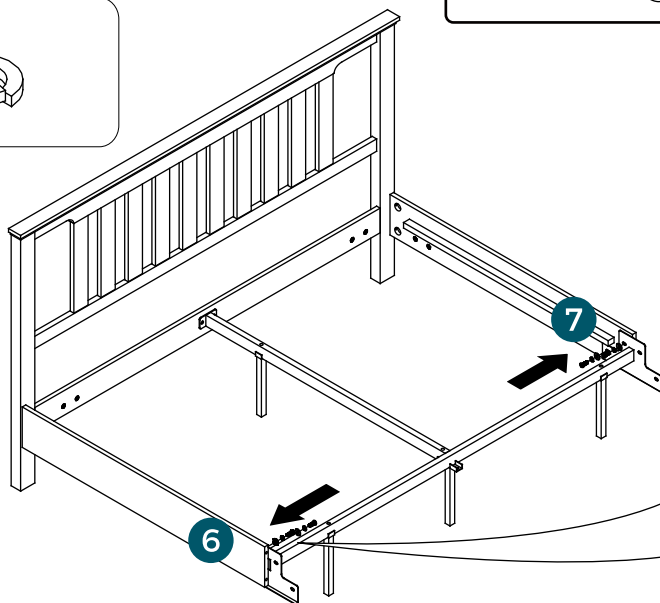
E x 4pcs



H x 4pcs



G x 4pcs



Step 13

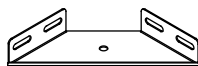
E x 8pcs



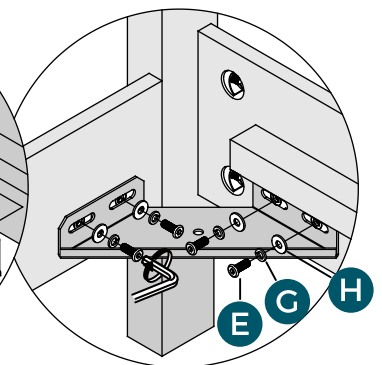
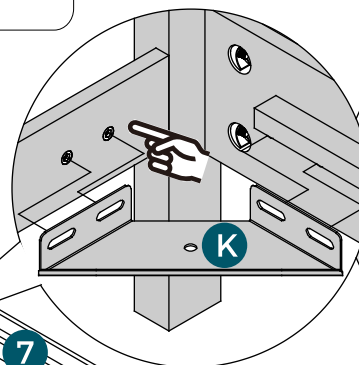
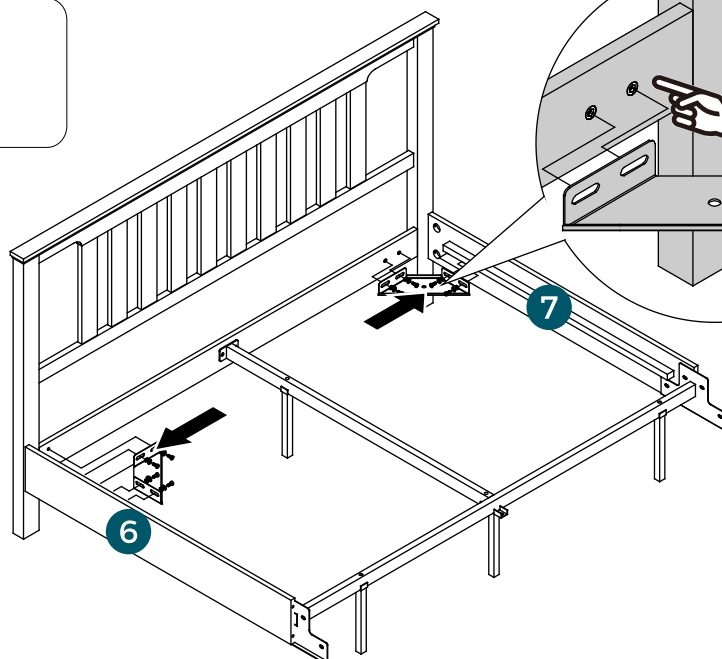
H x 8pcs



K x 2pcs



G x 8pcs

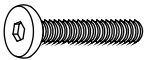


Assembly Instructions

Caution: Inappropriate installation of screws will cause damages to the product!

Step 14

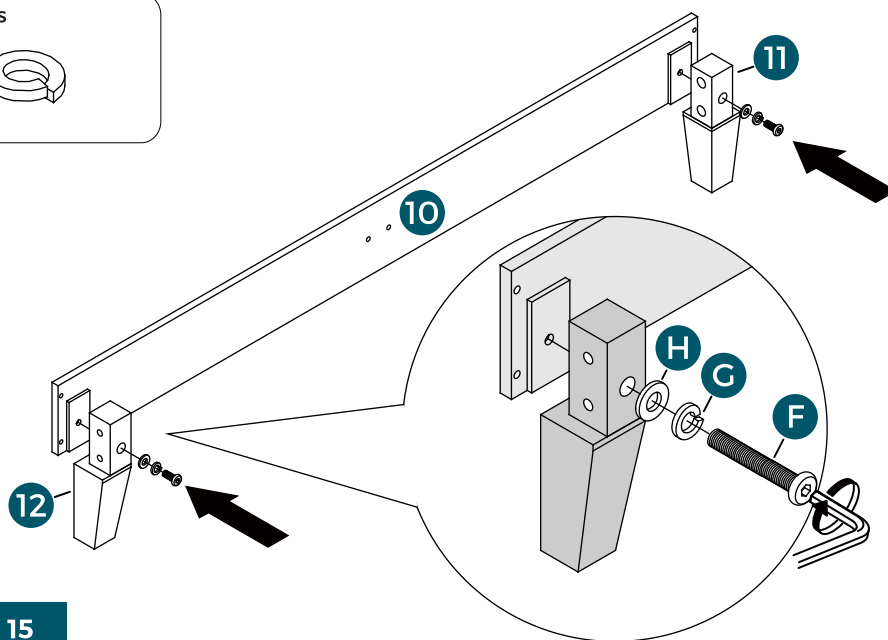
F x 2pcs



H x 2pcs

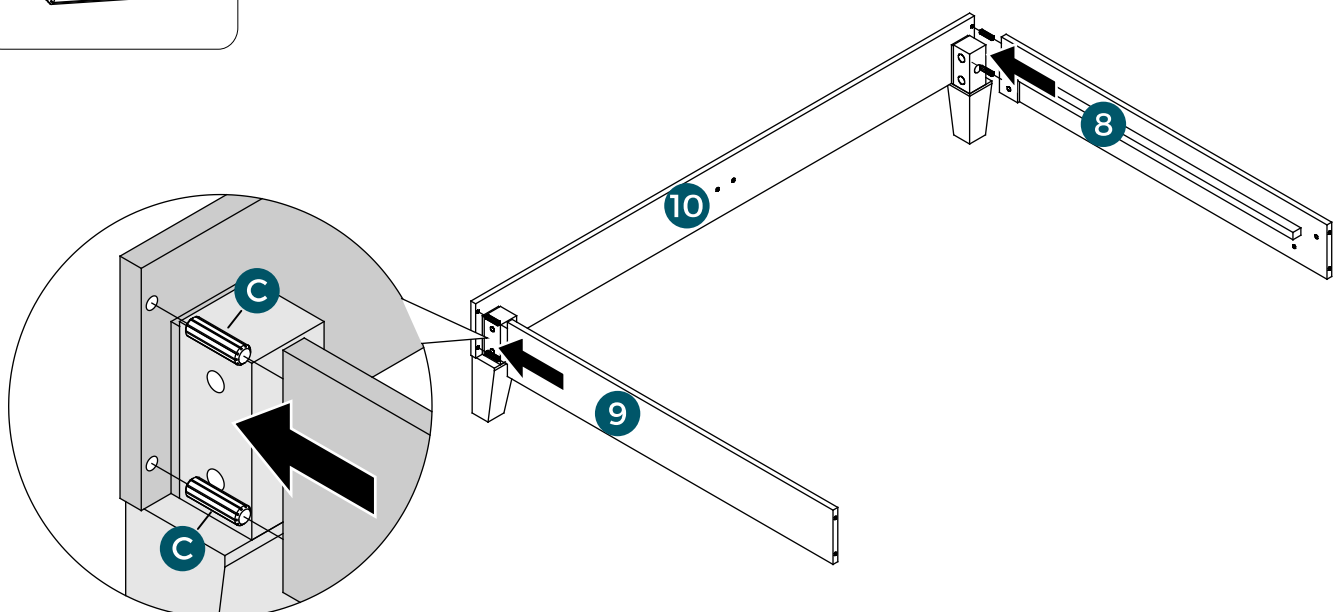


G x 2pcs



Step 15

C x 4pcs

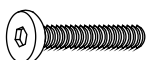


Assembly Instructions

Caution: Inappropriate installation of screws will cause damages to the product!

Step 16

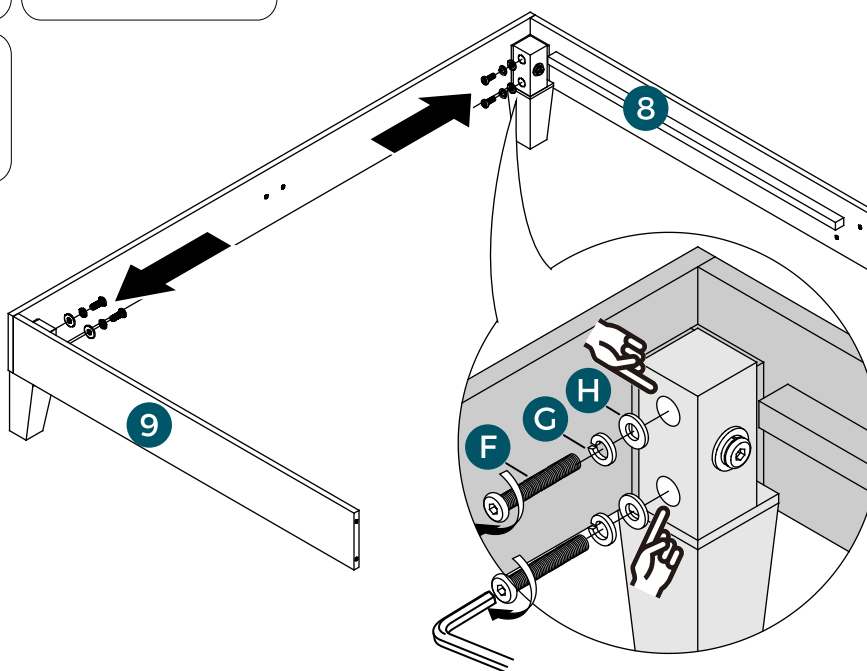
F x 4pcs



H x 4pcs

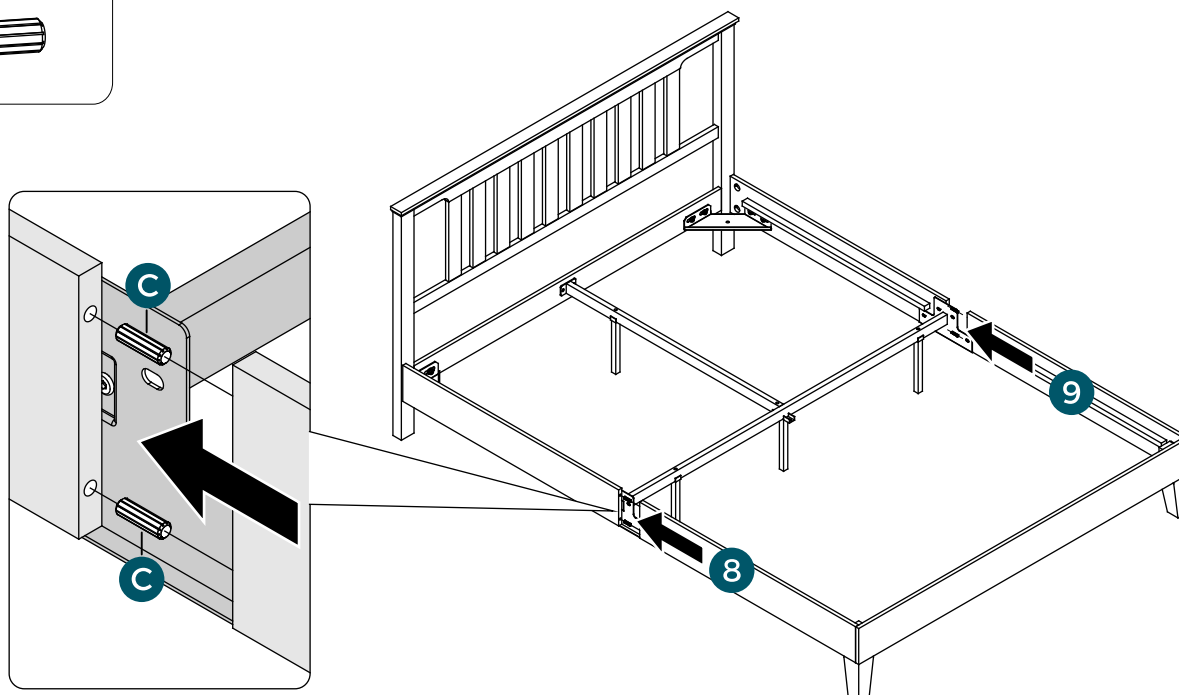


G x 4pcs



Step 17

C x 4pcs



Assembly Instructions

Caution: Inappropriate installation of screws will cause damages to the product!

Step 18

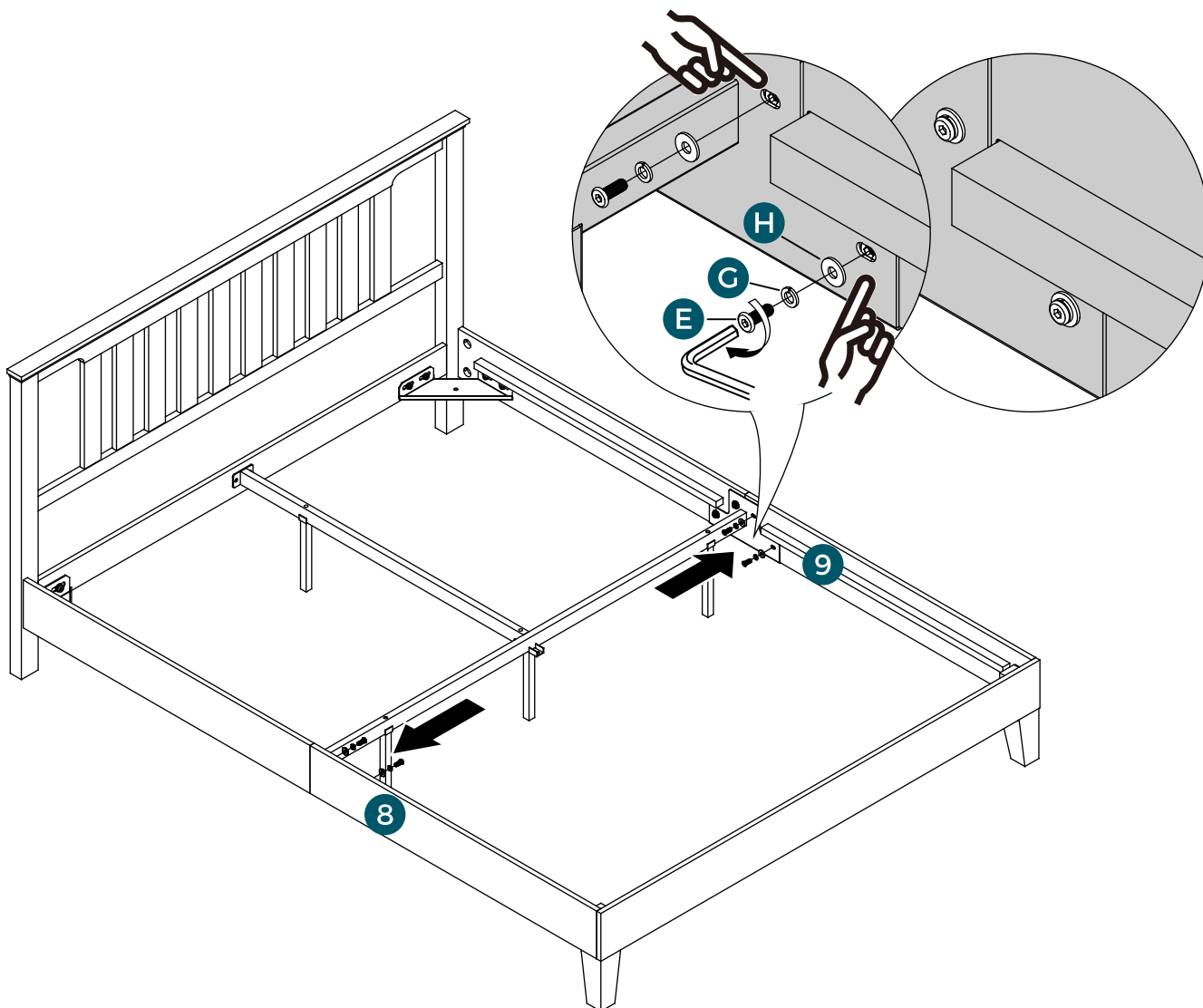
E x 4pcs



H x 4pcs



G x 4pcs



Assembly Instructions

Caution: Inappropriate installation of screws will cause damages to the product!

Step 19

E x 2pcs



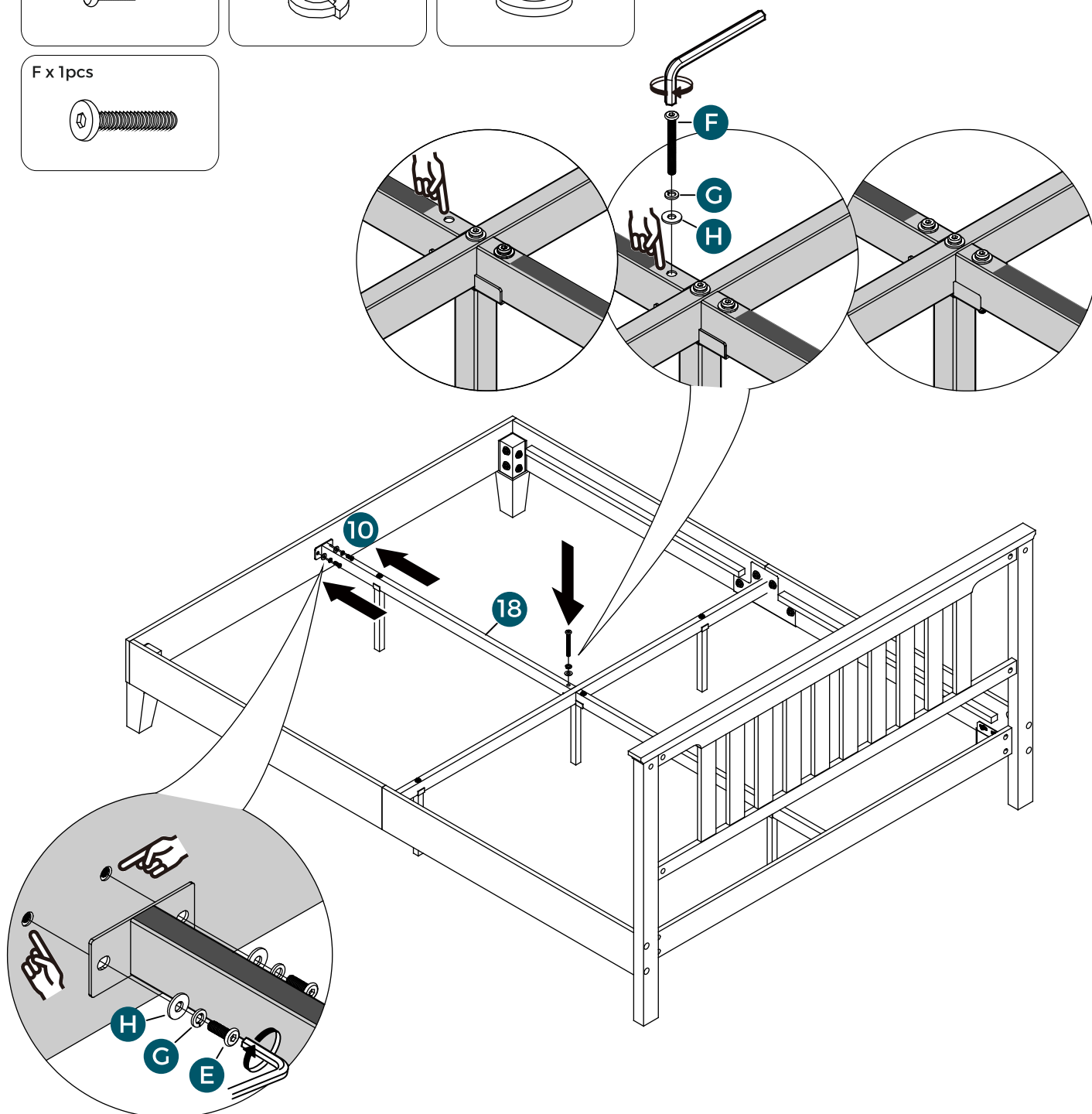
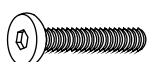
G x 3pcs



H x 3pcs



F x 1pcs



Assembly Instructions

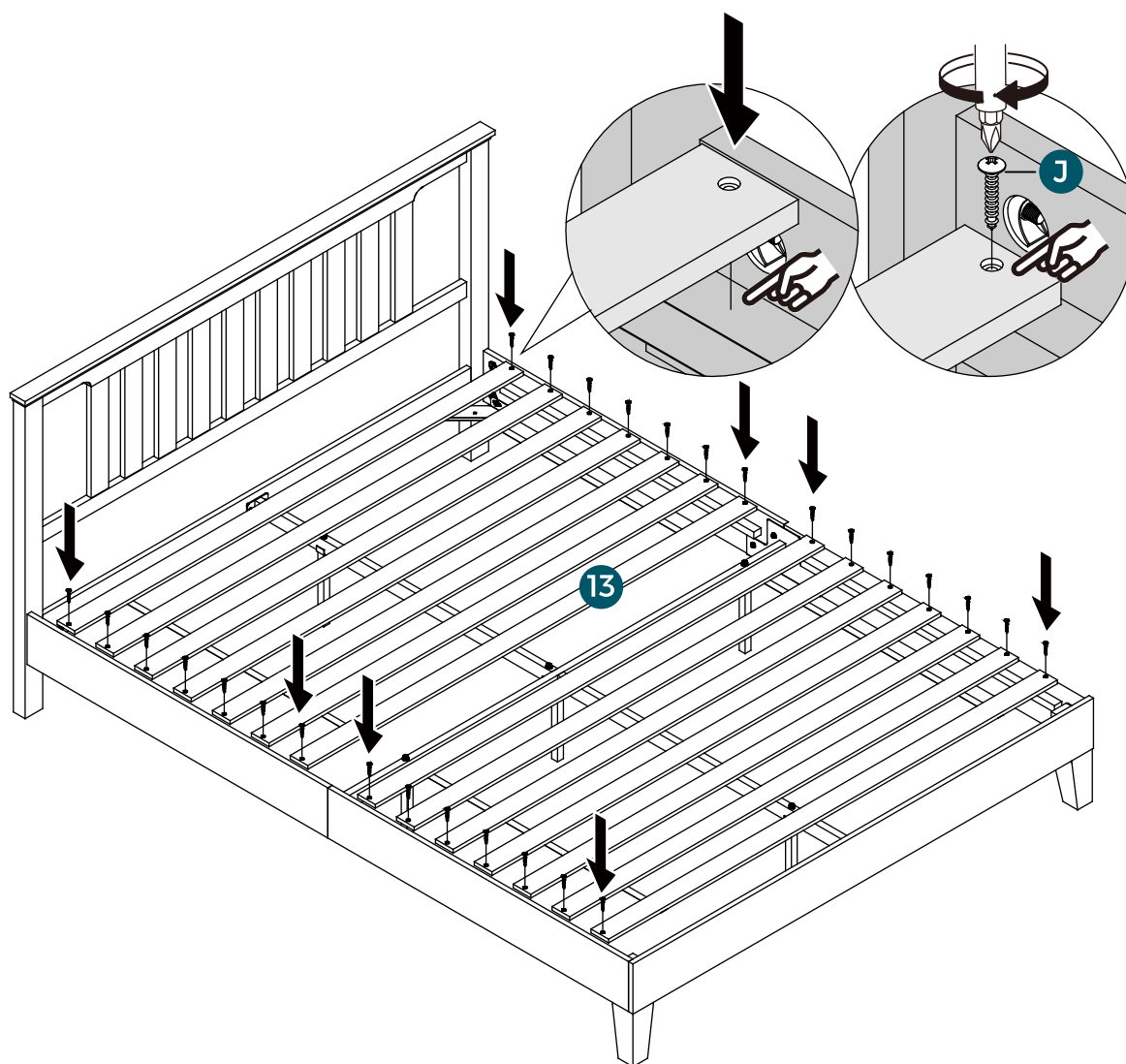
Caution: Inappropriate installation of screws will cause damages to the product!

Step 20

J x 28pcs



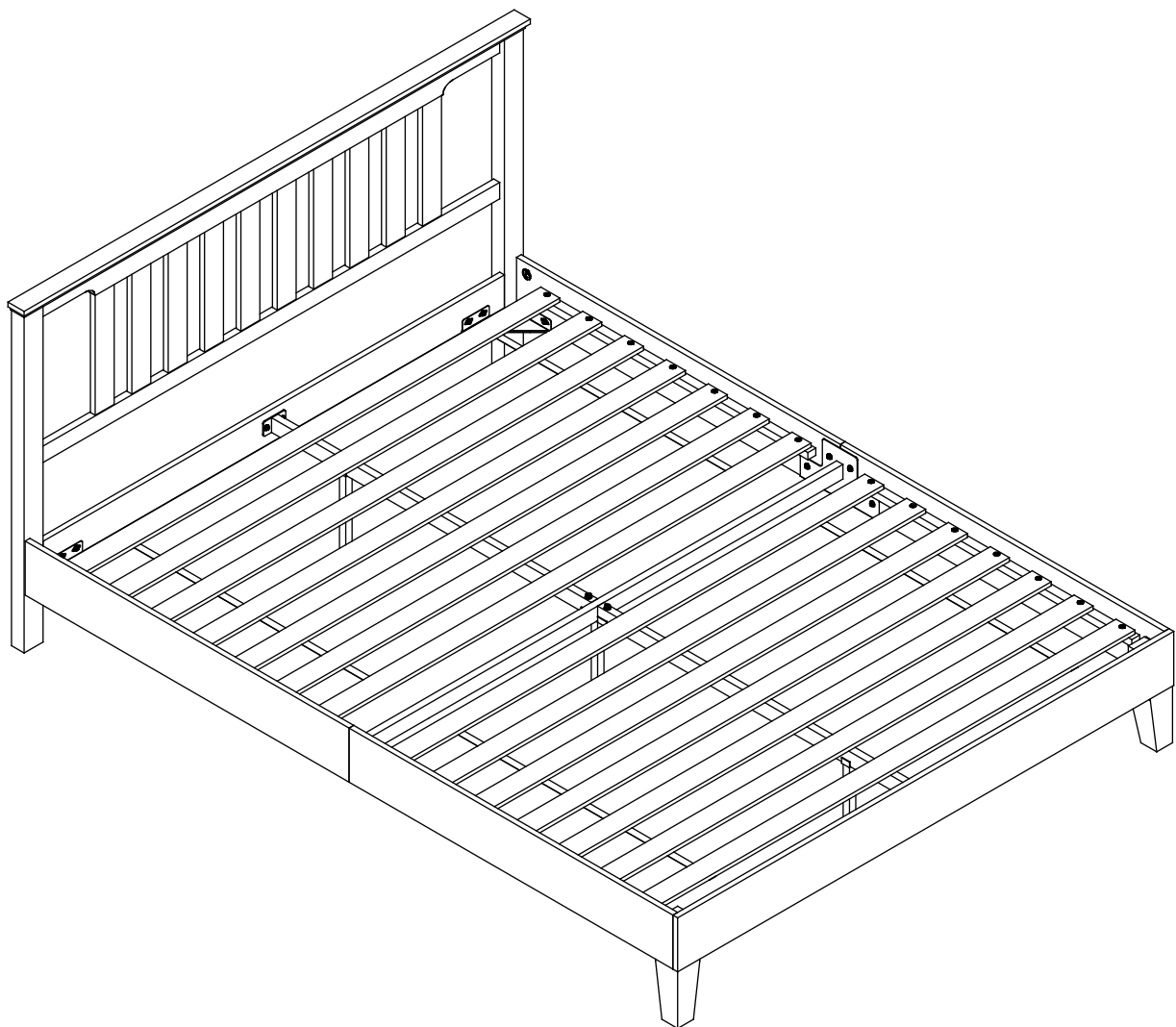
Please prioritize tightening the screws in all 8 corners, and then lock the other screws.



Assembly Instructions

Caution: Inappropriate installation of screws will cause damages to the product!

Step 21



Congratulations on owning a stable bed frame!

If you'd like to add more bedroom furniture, please feel free to follow us at any time.