

ASSEMBLY INSTRUCTIONS

METAL GARDEN SHED

SKU: T-PS23-0356A

Store
Your
Patio Well

www.patiowell.com



Patiowell

Metal Garden House
Installation Tutorial

[https://www.patiowell.com/
pages/video-t-ps23-0356a](https://www.patiowell.com/pages/video-t-ps23-0356a)

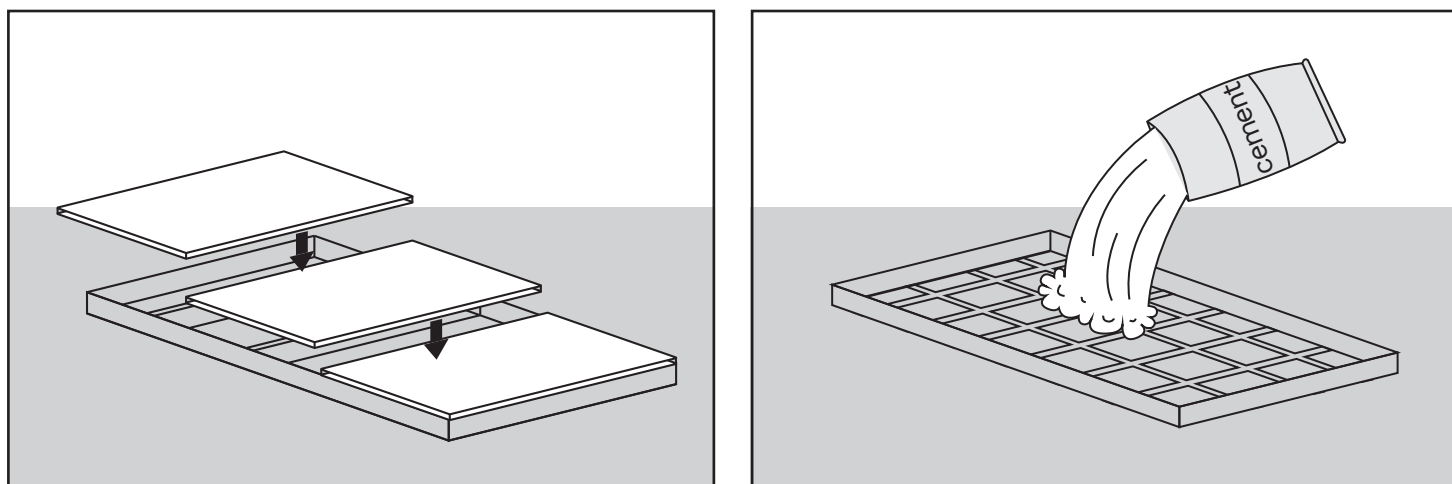
 saleservice@patiowell.com

SITE PREPARATION

Level the ground surface.



Recommendation: Construct a wooden or concrete base as a foundation.



BEFORE STARTING ASSEMBLY

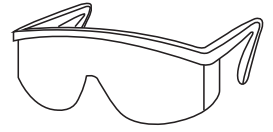
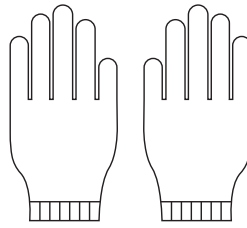
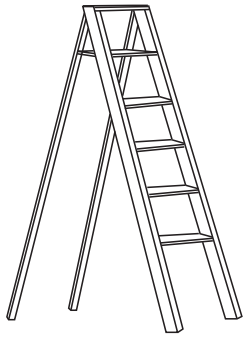
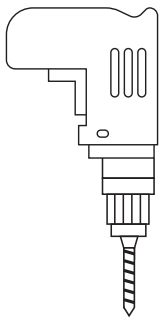
Remove all of the pieces from the 3 packages and spread them out on the ground. Before installation, please check the type and quantity of parts first.

It is recommended to use a clean work surface to spread the parts out and for pre-assembly steps. Review all instructions before you begin, continue to refer to instructions during assembly.

Be sure to follow all steps thoroughly.

Please prepare these components in advance at the beginning of each stage.

REQUIRED TOOLS



CAUTION

Some parts have steel edges. Please be careful when handling components. Always wear work gloves, eye protection and long sleeves when assembling or performing any maintenance on your shed. Do not attempt assembly on days with strong winds or low temperatures.

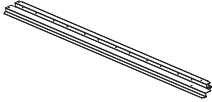
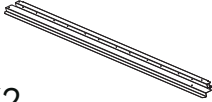
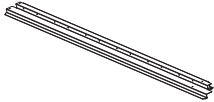
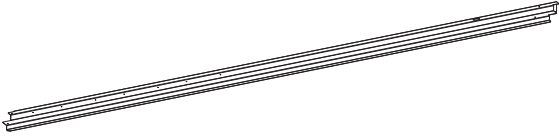
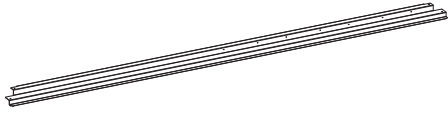
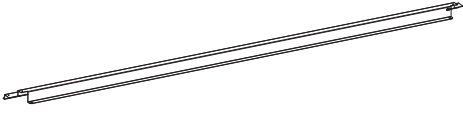
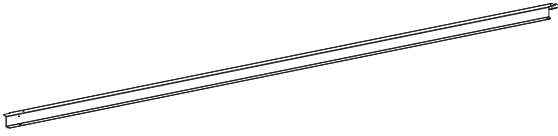


Requires two people and takes 2-3 hours for Installation. Recommended to wear gloves to avoid scratches. Please read the manual carefully before installation.

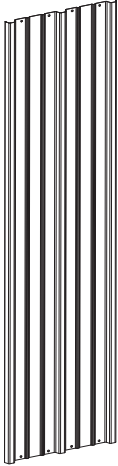
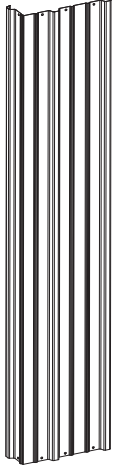
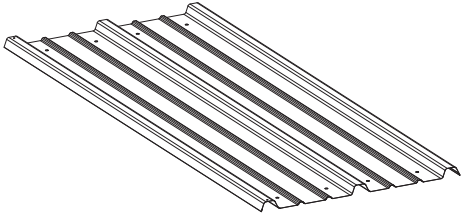

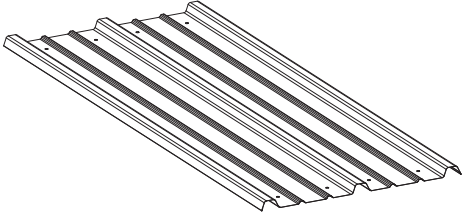
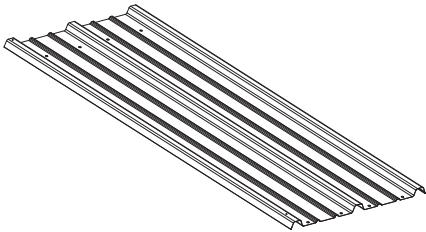
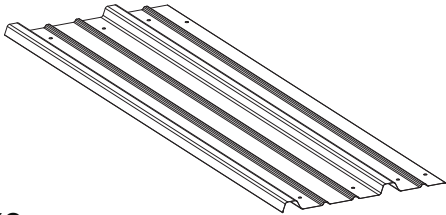
**DO NOT RETURN YOUR UNIT
TO THE STORE**

Contact us first
saleservice@patiowell.com

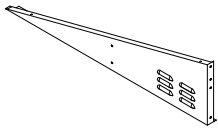
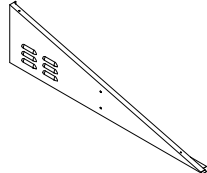
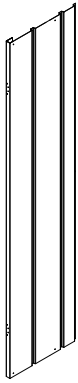
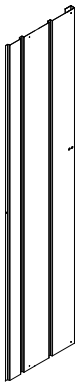
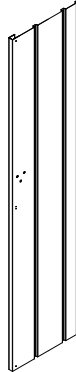
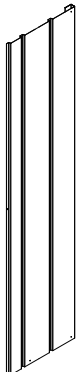


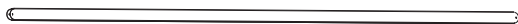
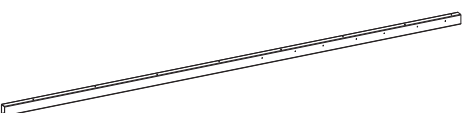
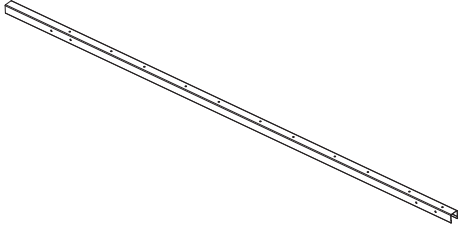
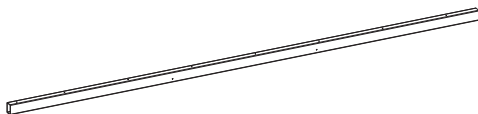
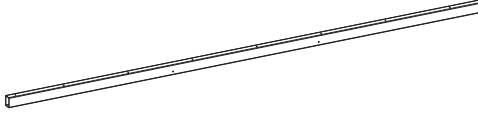
FOUNDATION

 <p>BE5 X2</p>	 <p>BE6 X2</p>	 <p>BE7 X2</p>
 <p>BE1L X1</p>	 <p>BE1 X1</p>	
 <p>BE2L X1</p>	 <p>BE2 X1</p>	

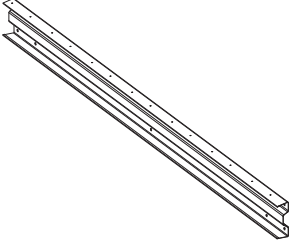
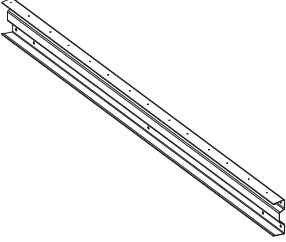
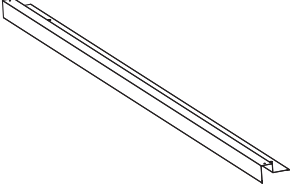
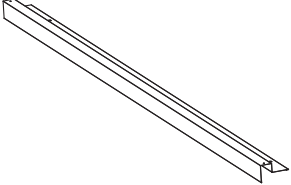


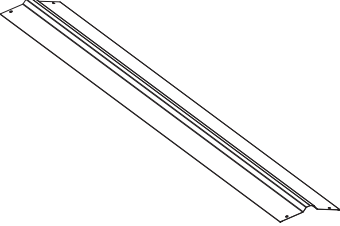
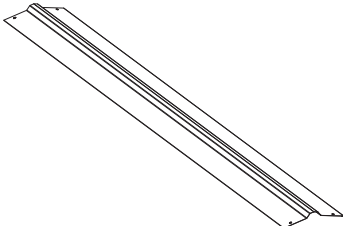
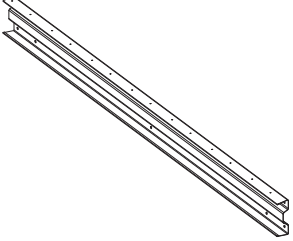
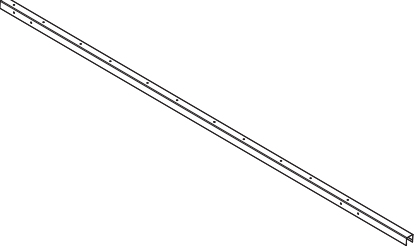
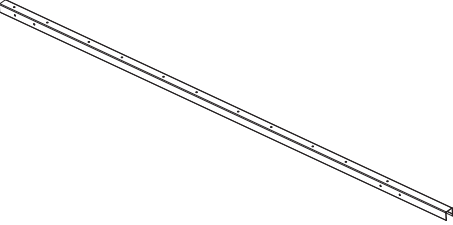
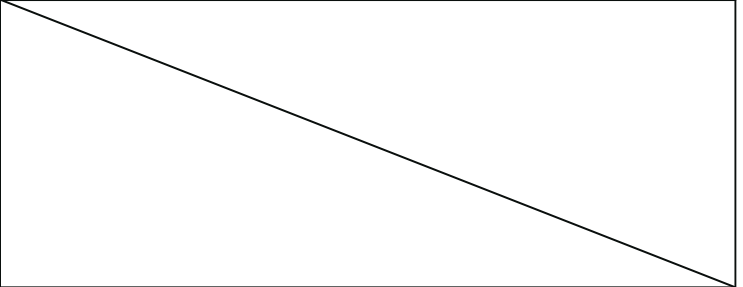




PLATES

 <p>W1A X20</p>	 <p>WS2A X4</p>	 <p>PE9 X2</p>	
 <p>WS3A X4</p>		 <p>PE4 X10</p>	
 <p>PE3 X4</p>		 <p>PE6 X2</p>	

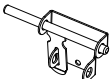


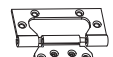
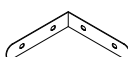
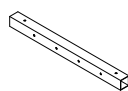
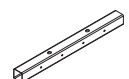
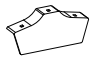
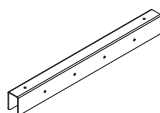


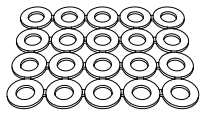
PLATES

<p>A3 X2</p> 	<p>A4 X2</p> 		
<p>DLA X1</p> 	<p>DLB X1</p> 	<p>DRB X1</p> 	<p>DRA X1</p> 
<p>ULA X1</p> 	<p>UR1 X1</p> 	<p>DX2 X4</p> 	
<p>UE1 X1</p> 	<p>UE7 X2</p> 		
<p>UE5 X1</p> 	<p>UE5R X1</p> 		

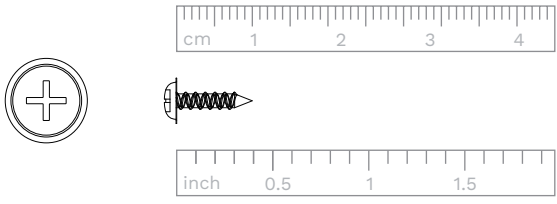
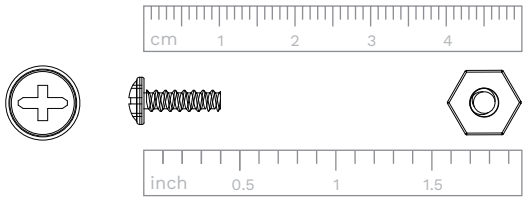
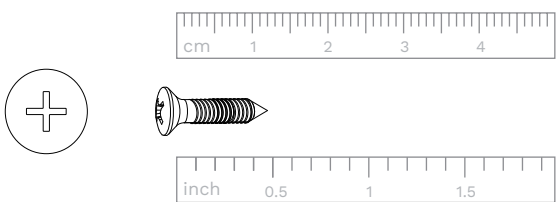
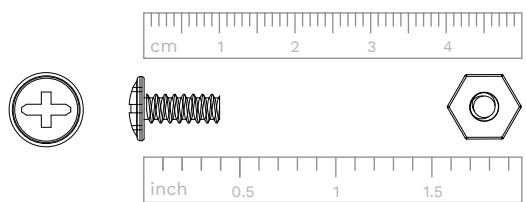
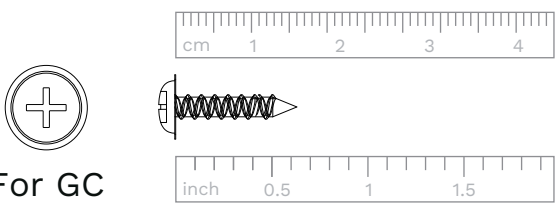
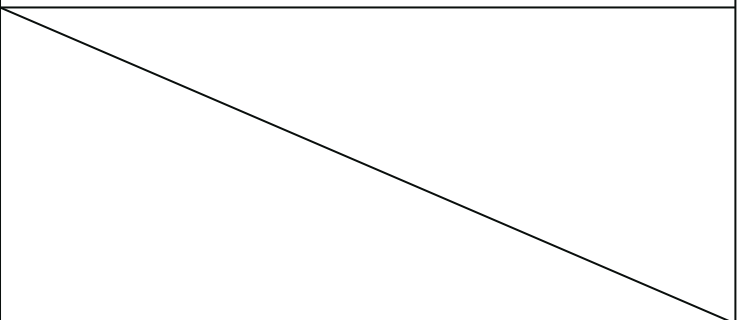
STRIPS

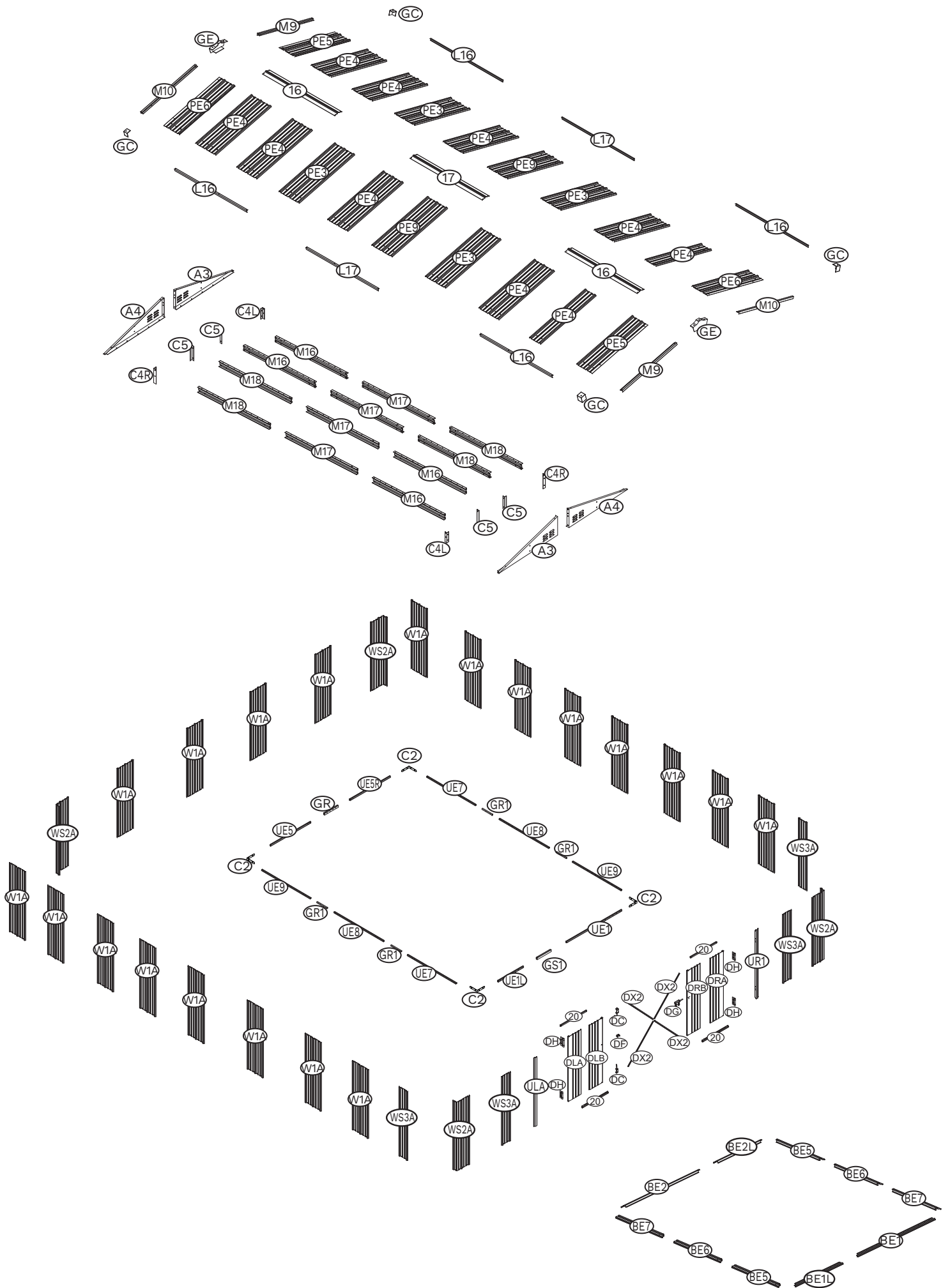
 <p>M16 X4</p>	 <p>M18 X4</p>		
 <p>M9 X2</p>	 <p>M10 X2</p>		
 <p>L16 X4</p>	 <p>L17 X2</p>		
 <p>16 X2</p>	 <p>17 X1</p>		
 <p>M17 X4</p>	 <p>UE8 X2</p>		
 <p>UE9 X2</p>			
 <p>C4L X2</p>	 <p>20 X4</p>	 <p>C5 X4</p>	 <p>C4R X2</p>

STANDARD

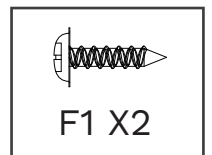
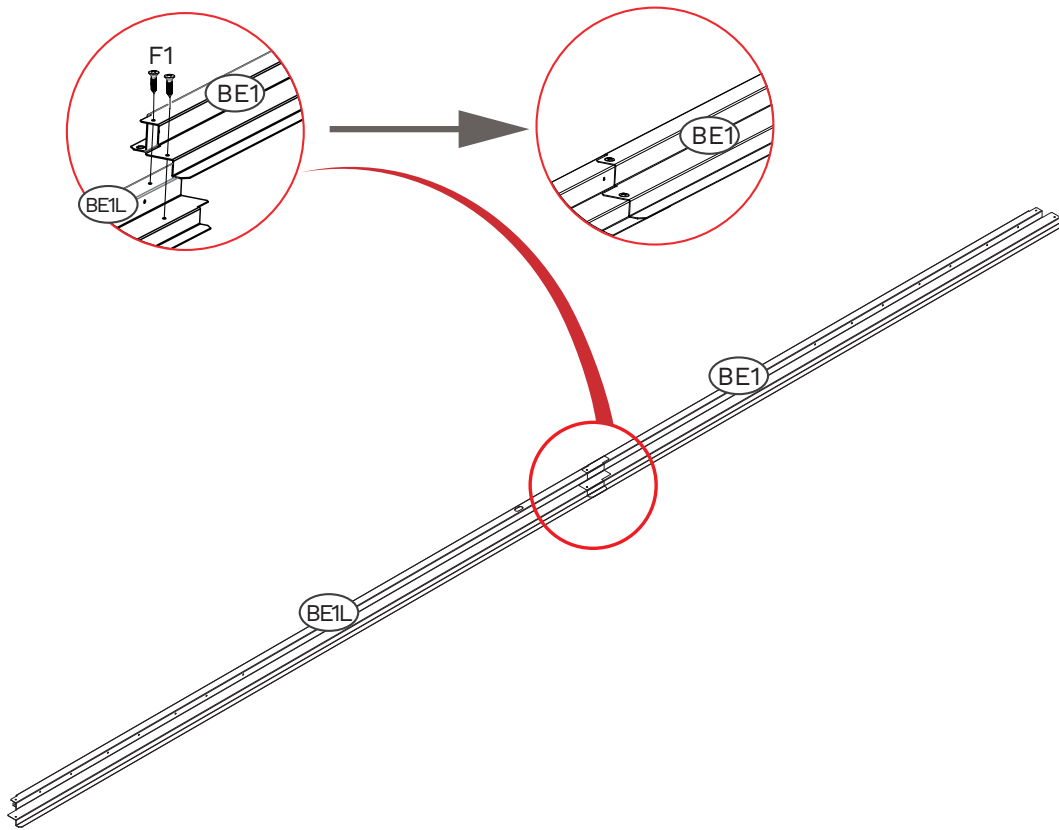
 <p>DG X1</p>	 <p>DF X1</p>	 <p>DC X2</p>	 <p>DH X4</p>
 <p>C2 X4</p>	 <p>GR X1</p>	 <p>GR1 X4</p>	 <p>GE X2</p>
 <p>GS1 X1</p>	 <p>GC X4</p>	 <p>V1 X224</p>	 <p>V2 X422</p>

SCREW

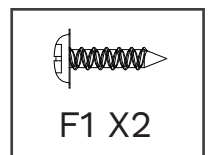
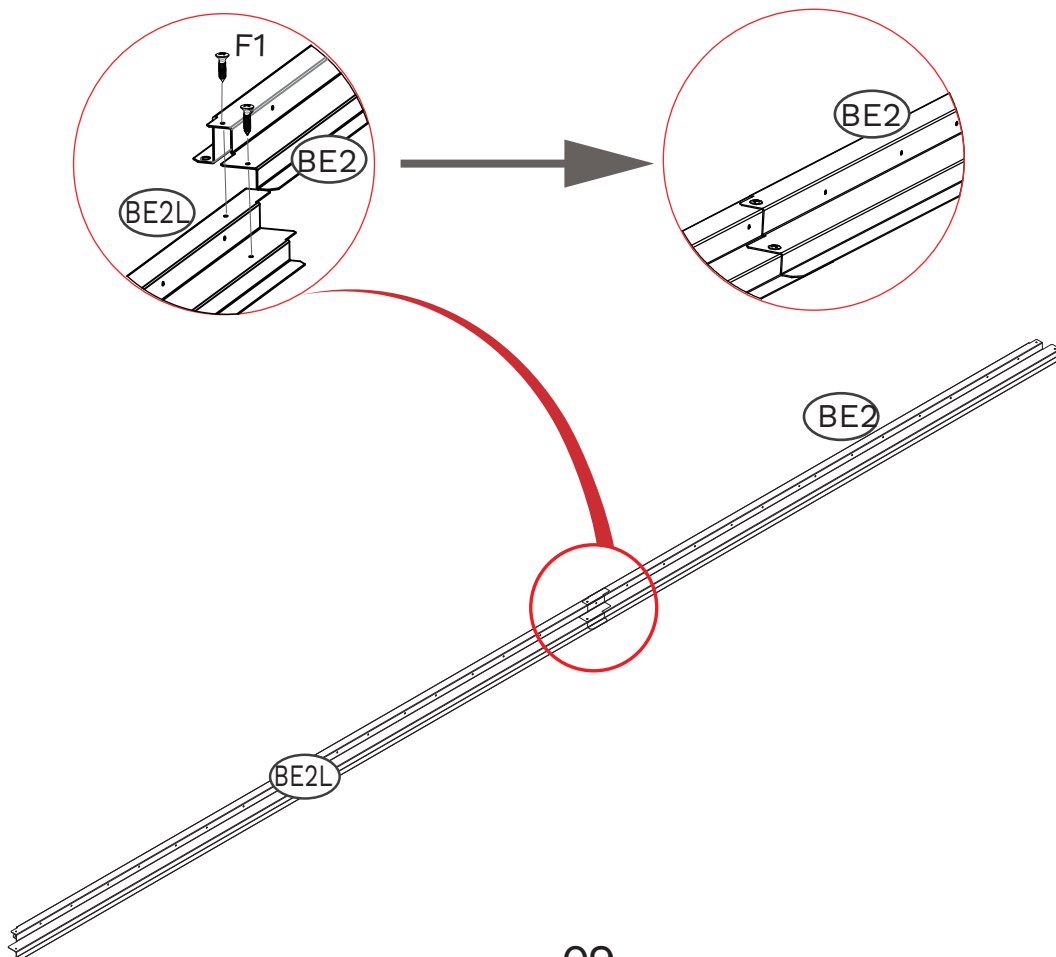
 <p>F1(X584) M4*10</p>	 <p>F2(X68) M4*10</p>
 <p>F3(X32) M5*12</p>	 <p>F4(X5) M6*10</p>
 <p>For GC F5(X4) M4*16</p>	



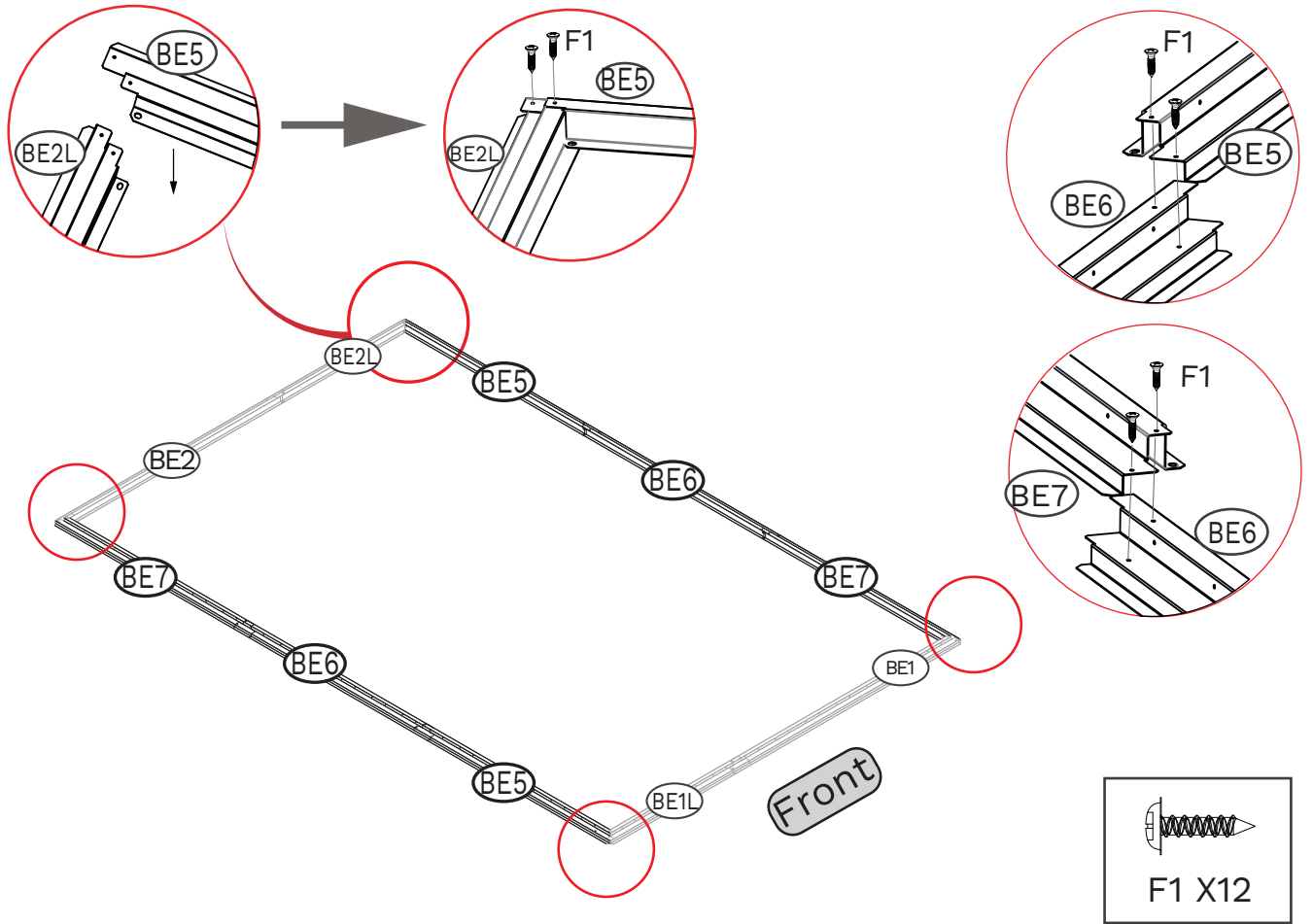
STEP 1



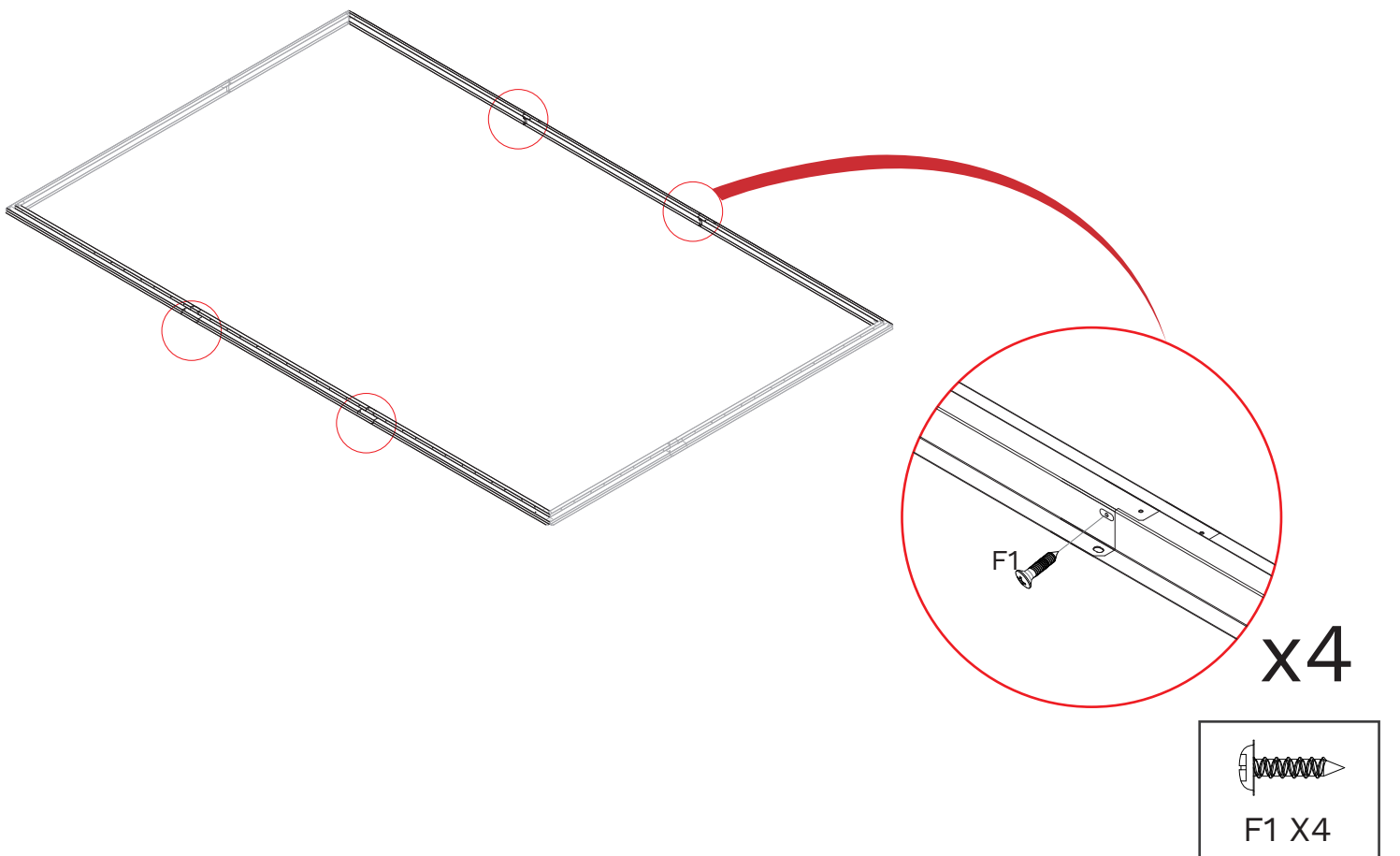
STEP 2



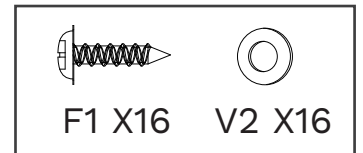
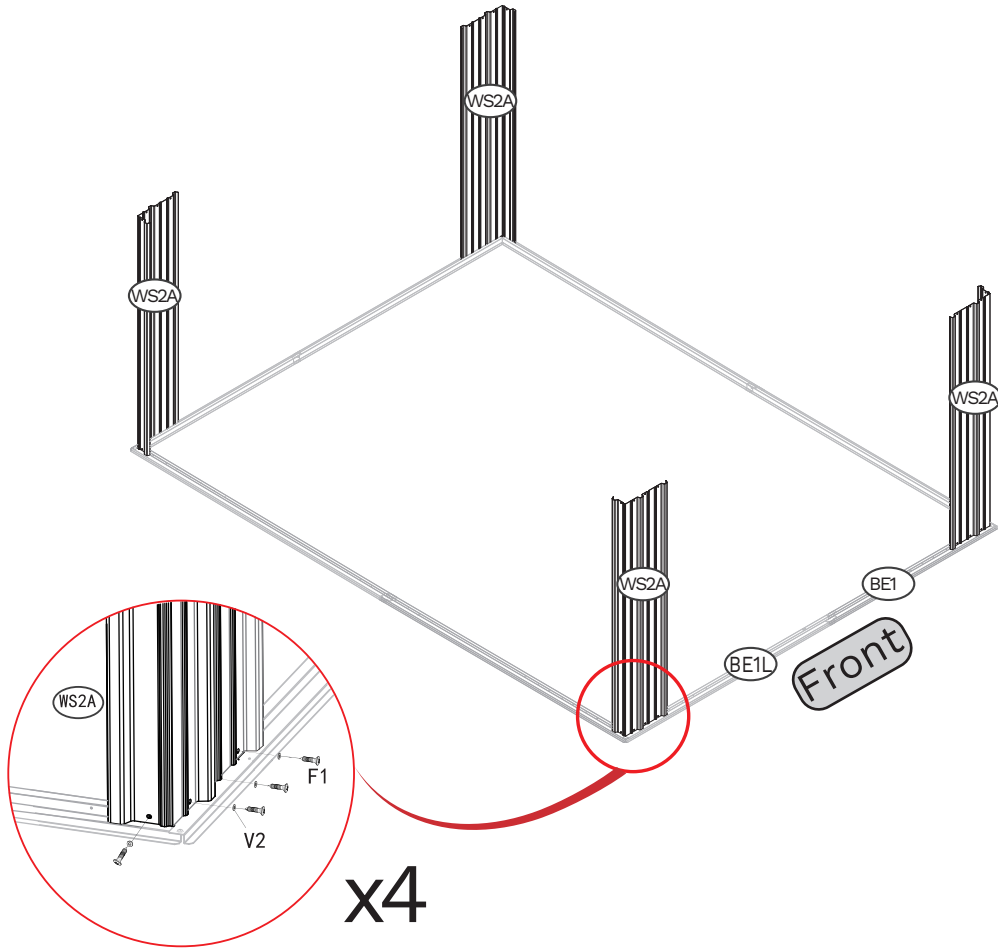
STEP 3



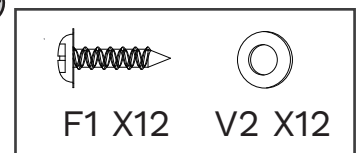
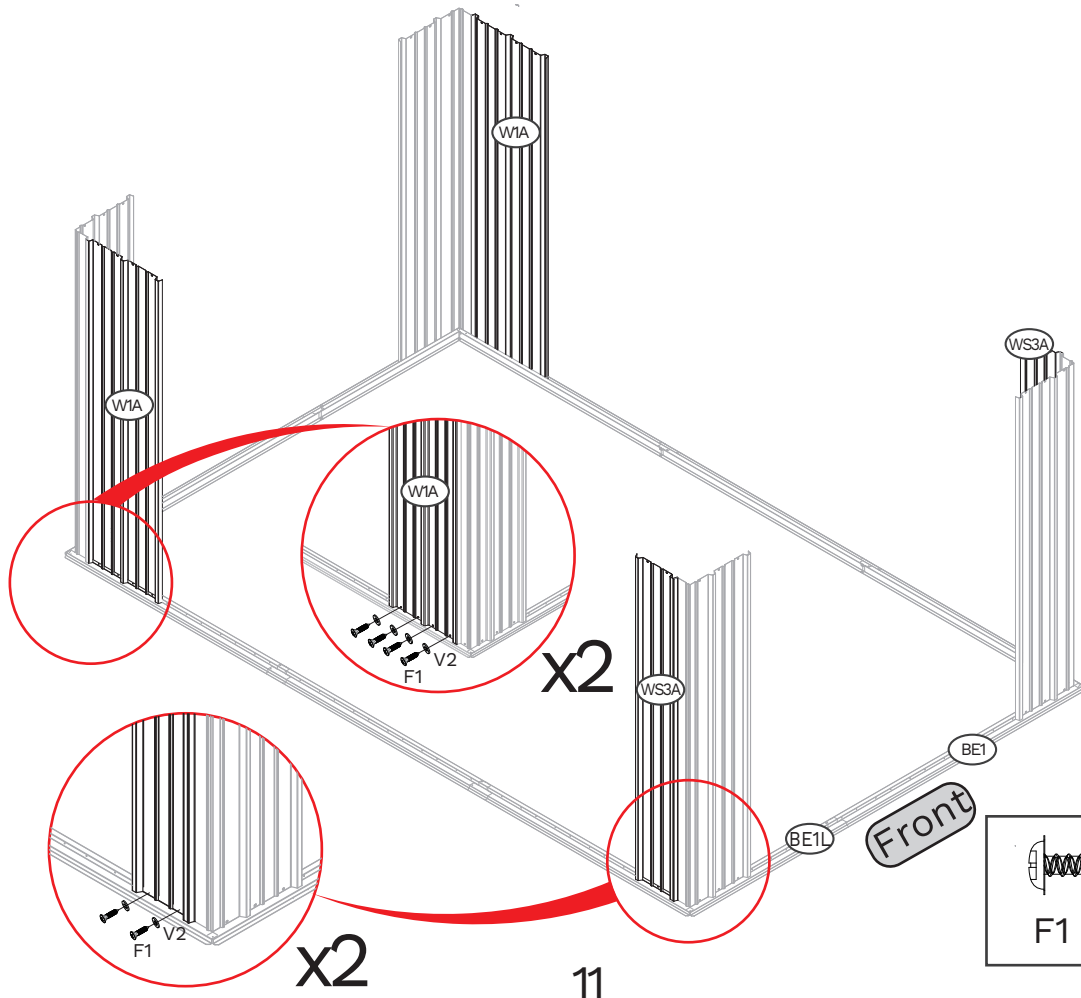
STEP 4



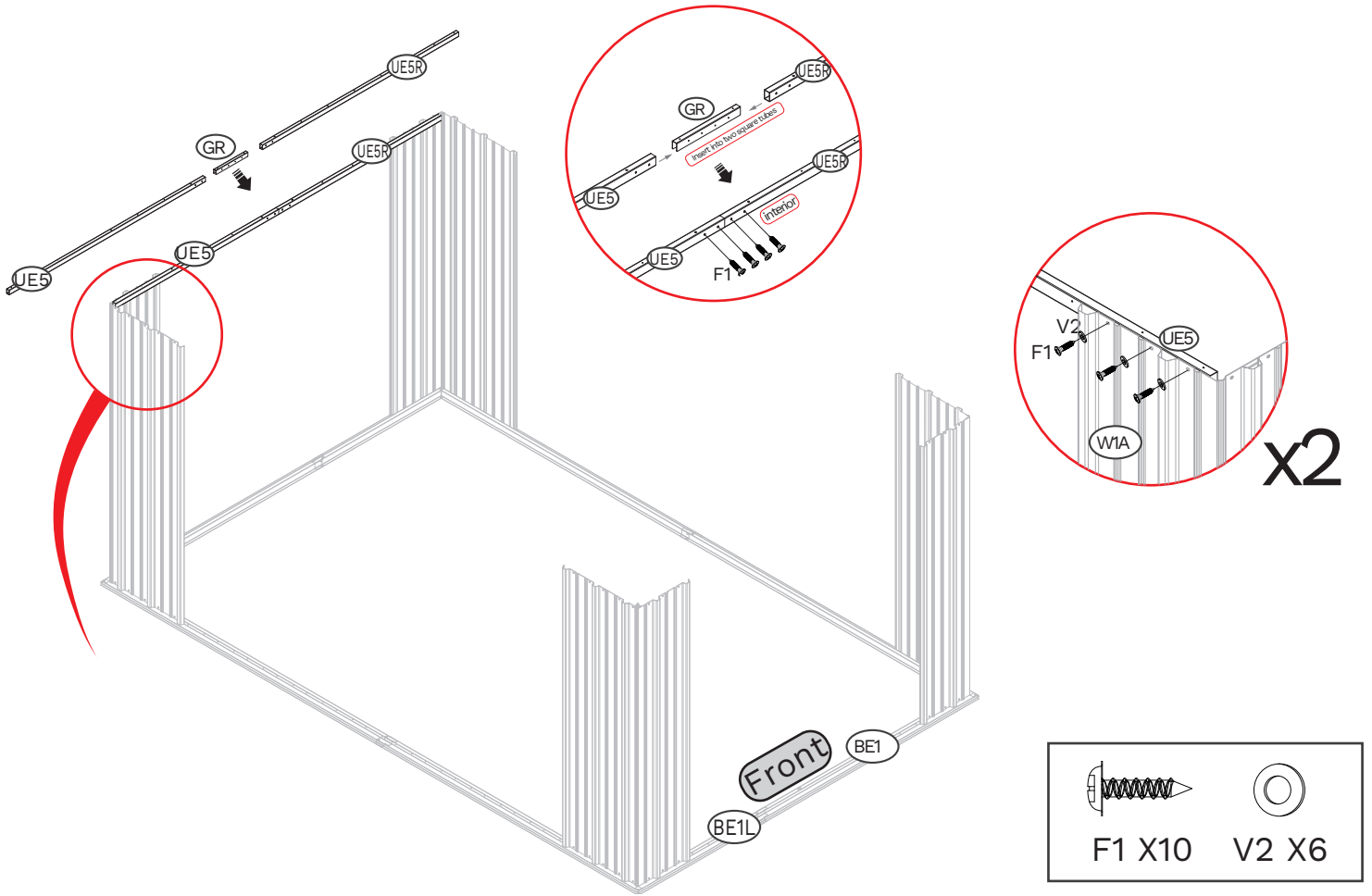
STEP 5



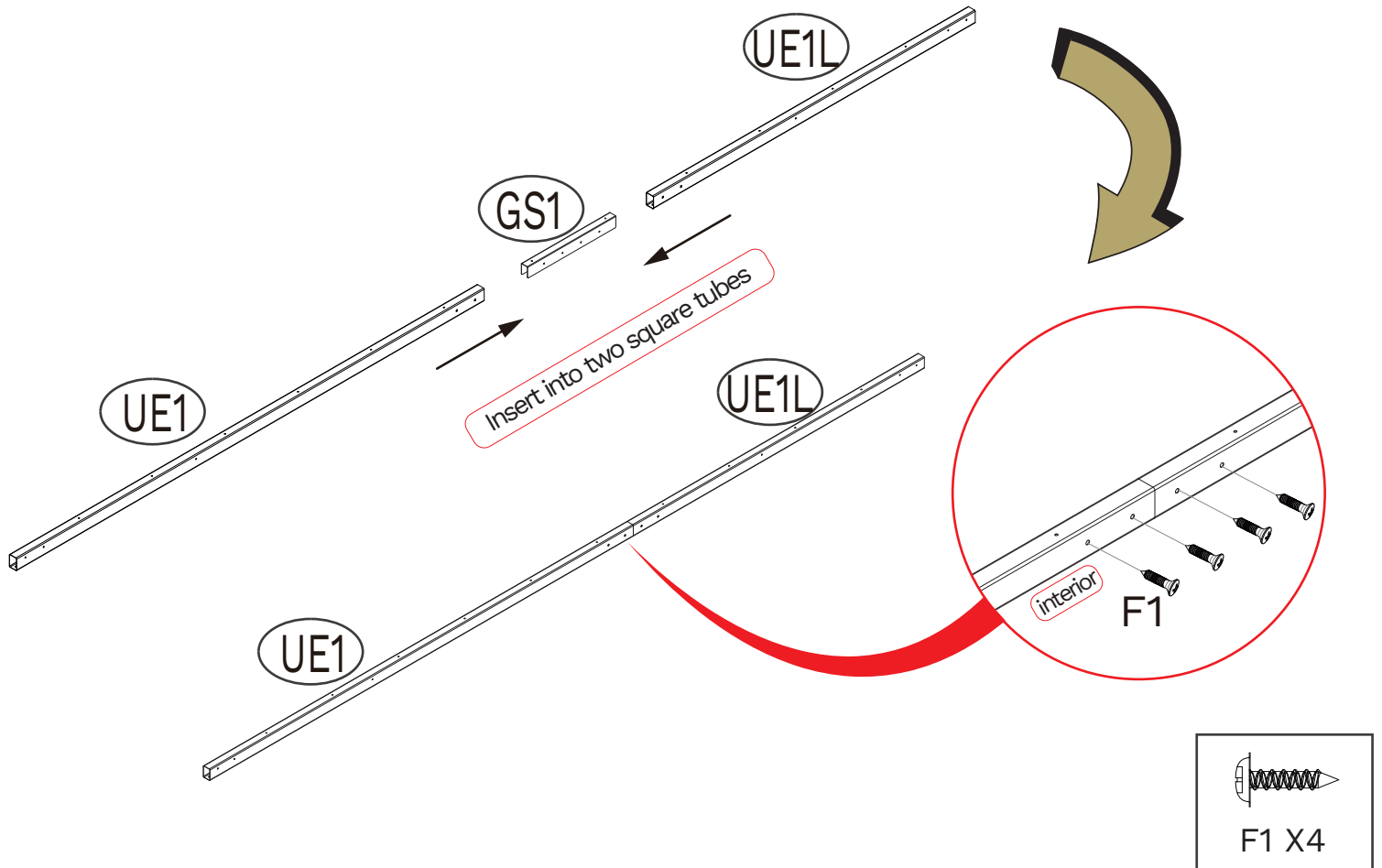
STEP 6



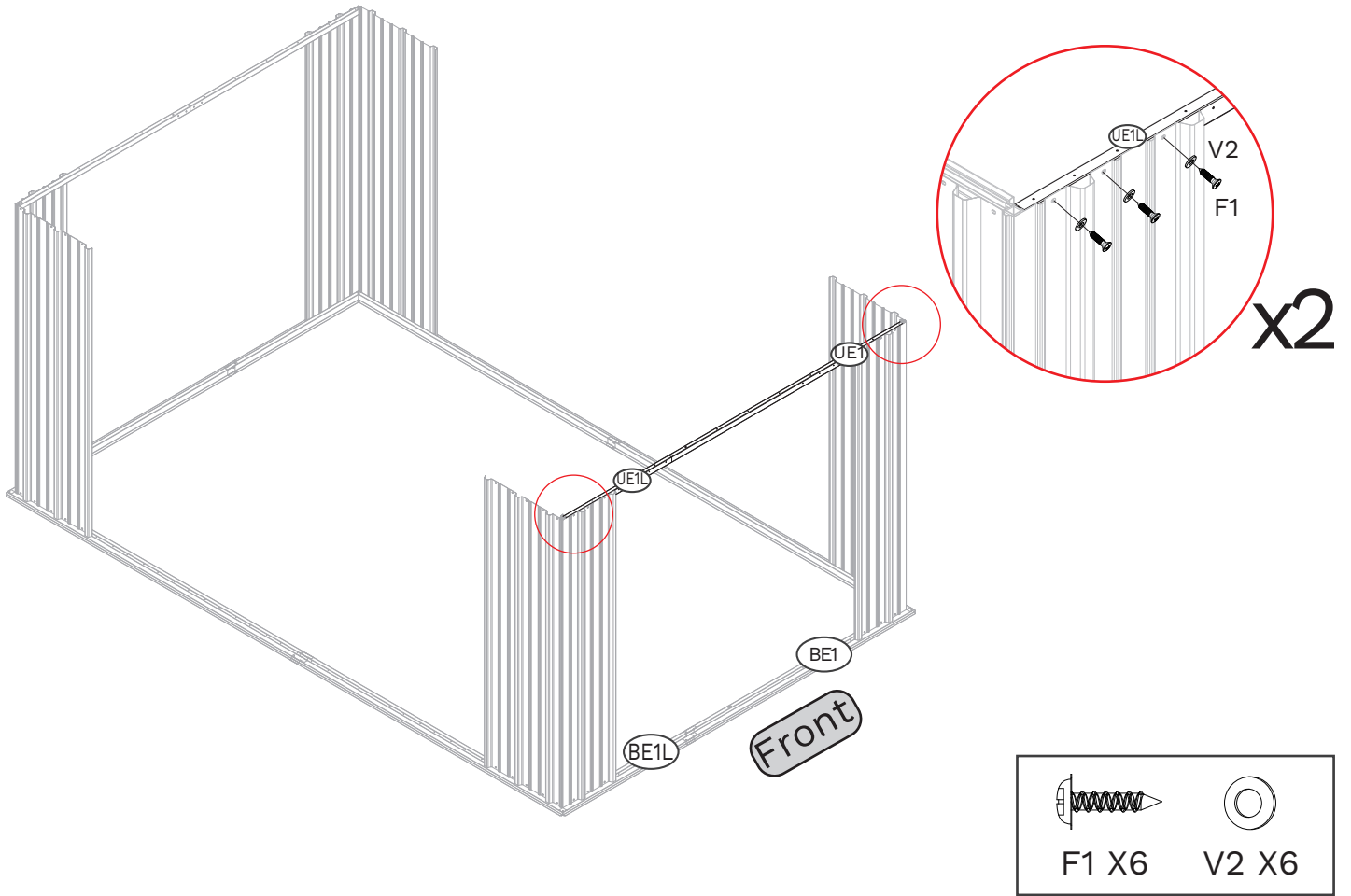
STEP 7



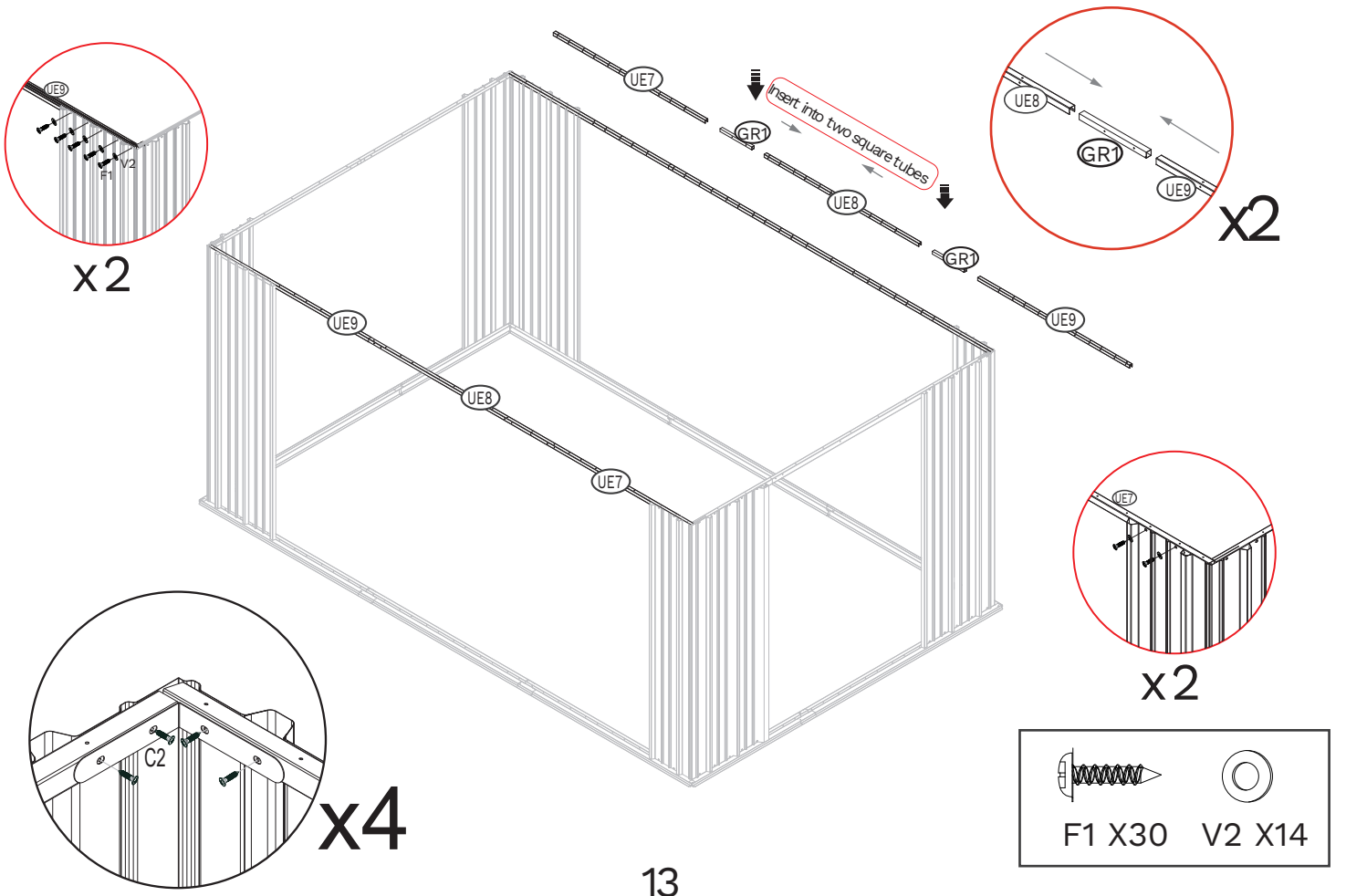
STEP 8



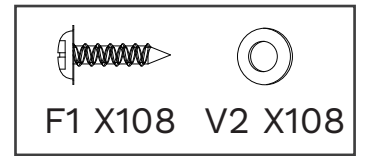
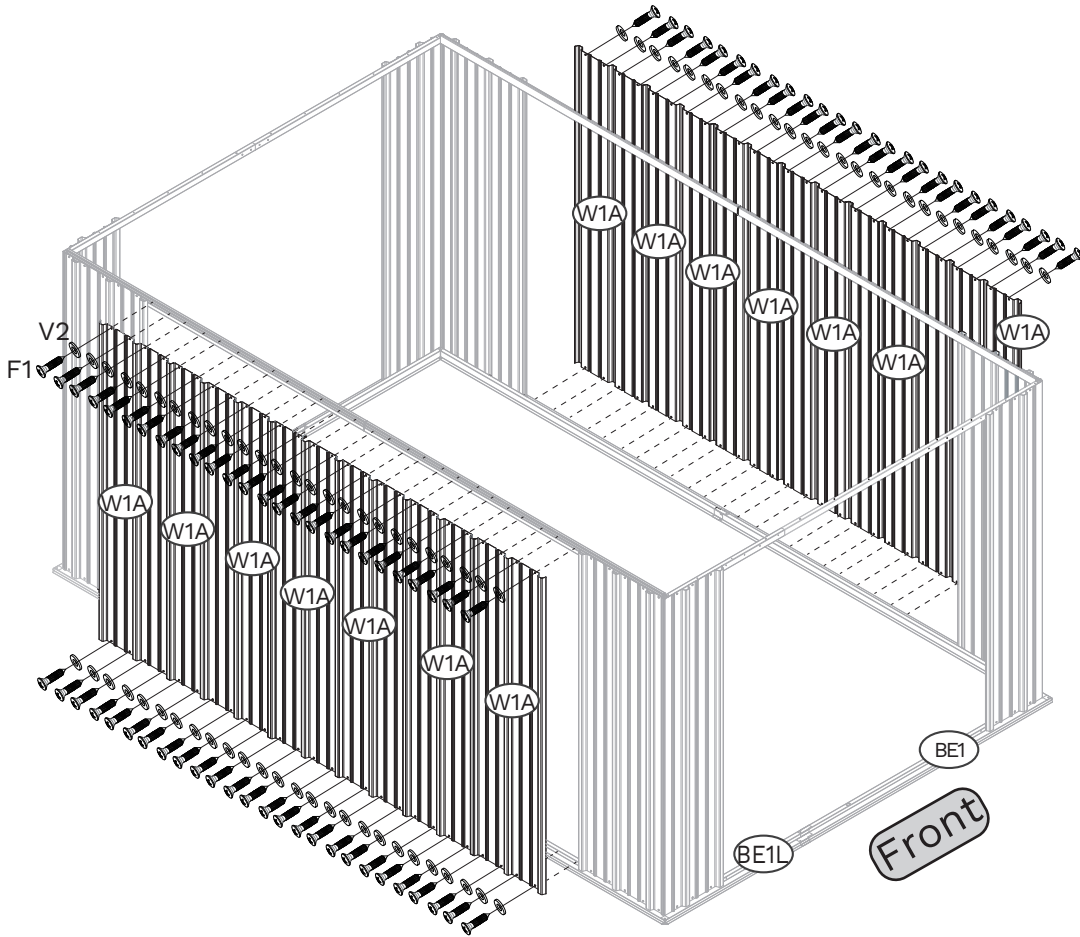
STEP 9



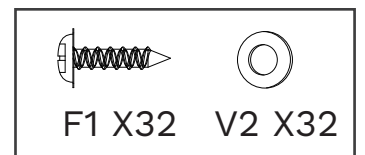
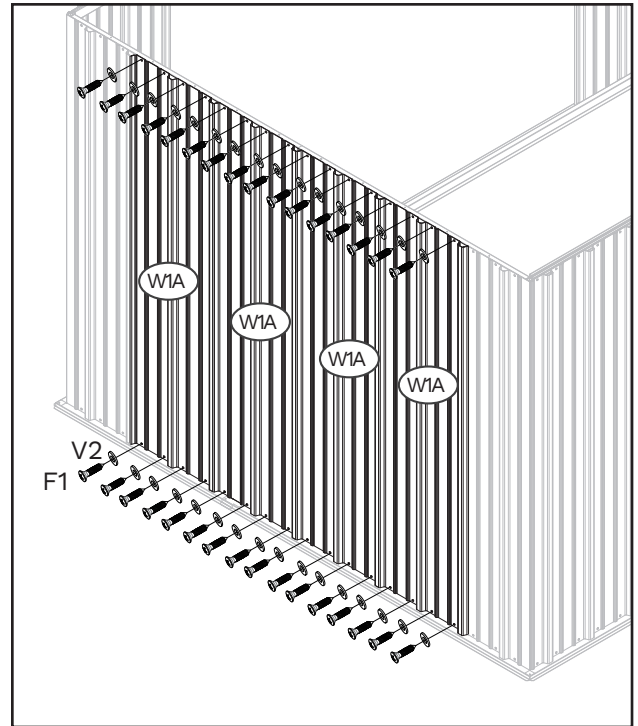
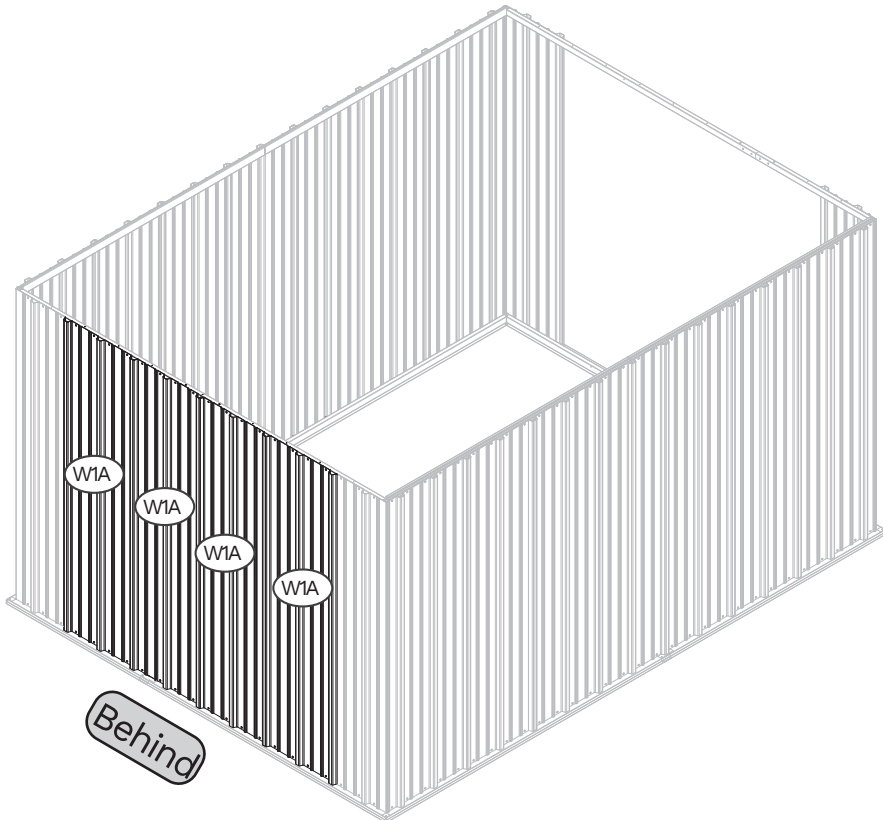
STEP 10



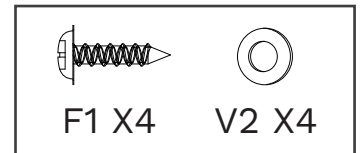
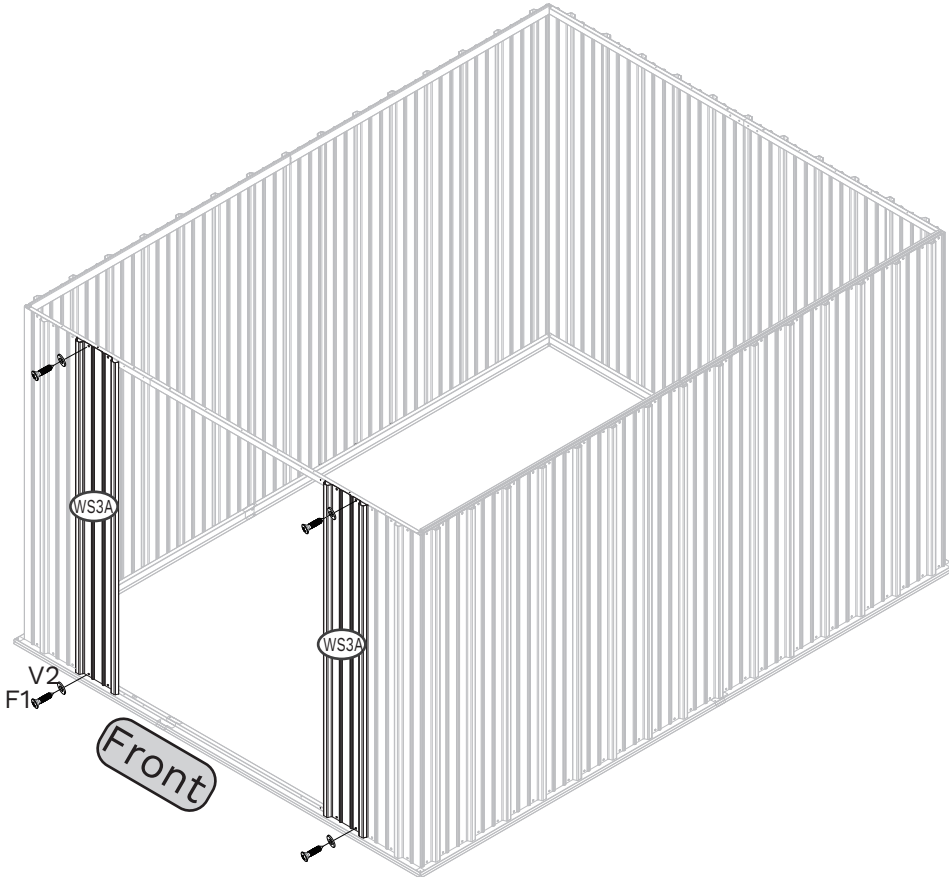
STEP 11



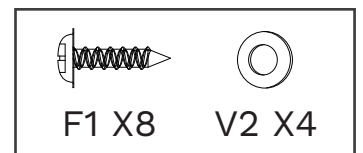
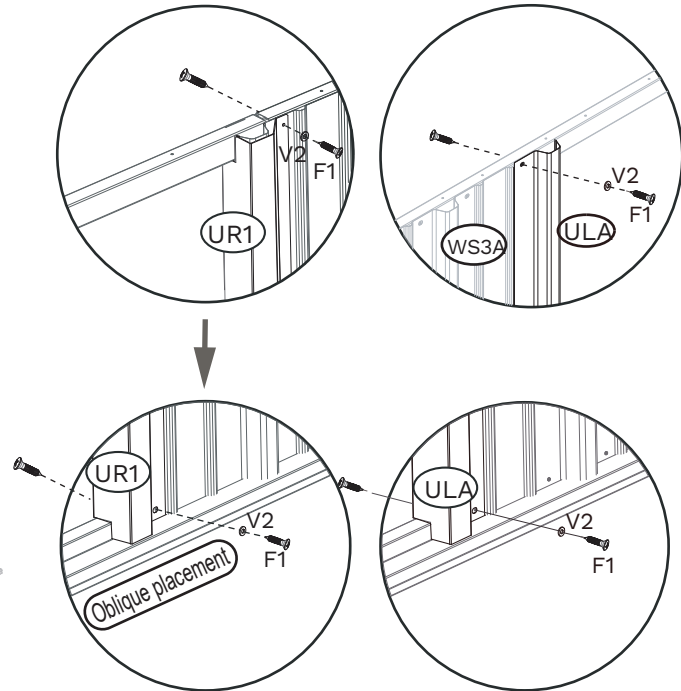
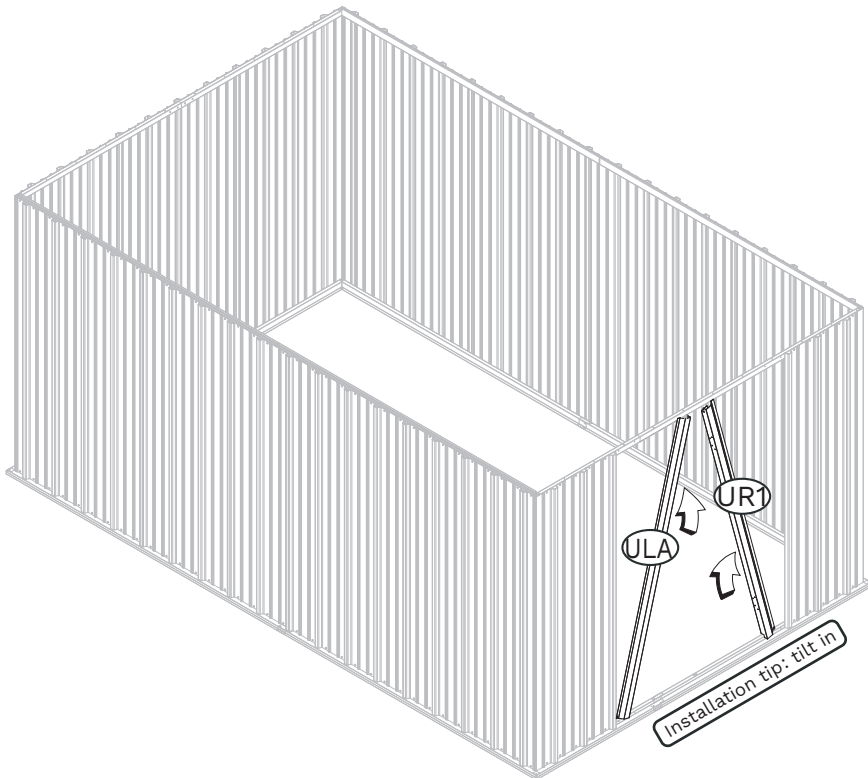
STEP 12



STEP 13

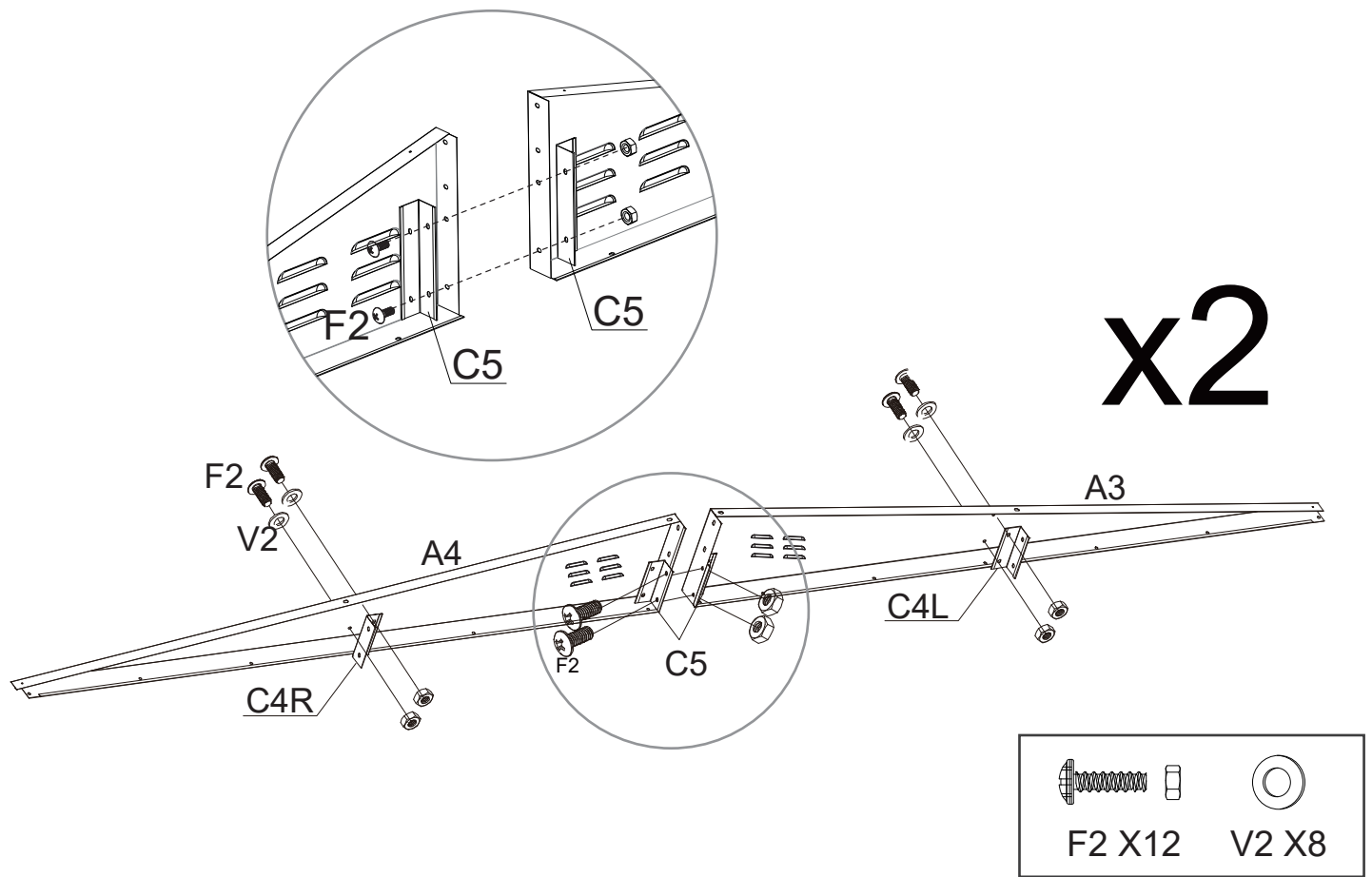


STEP 14

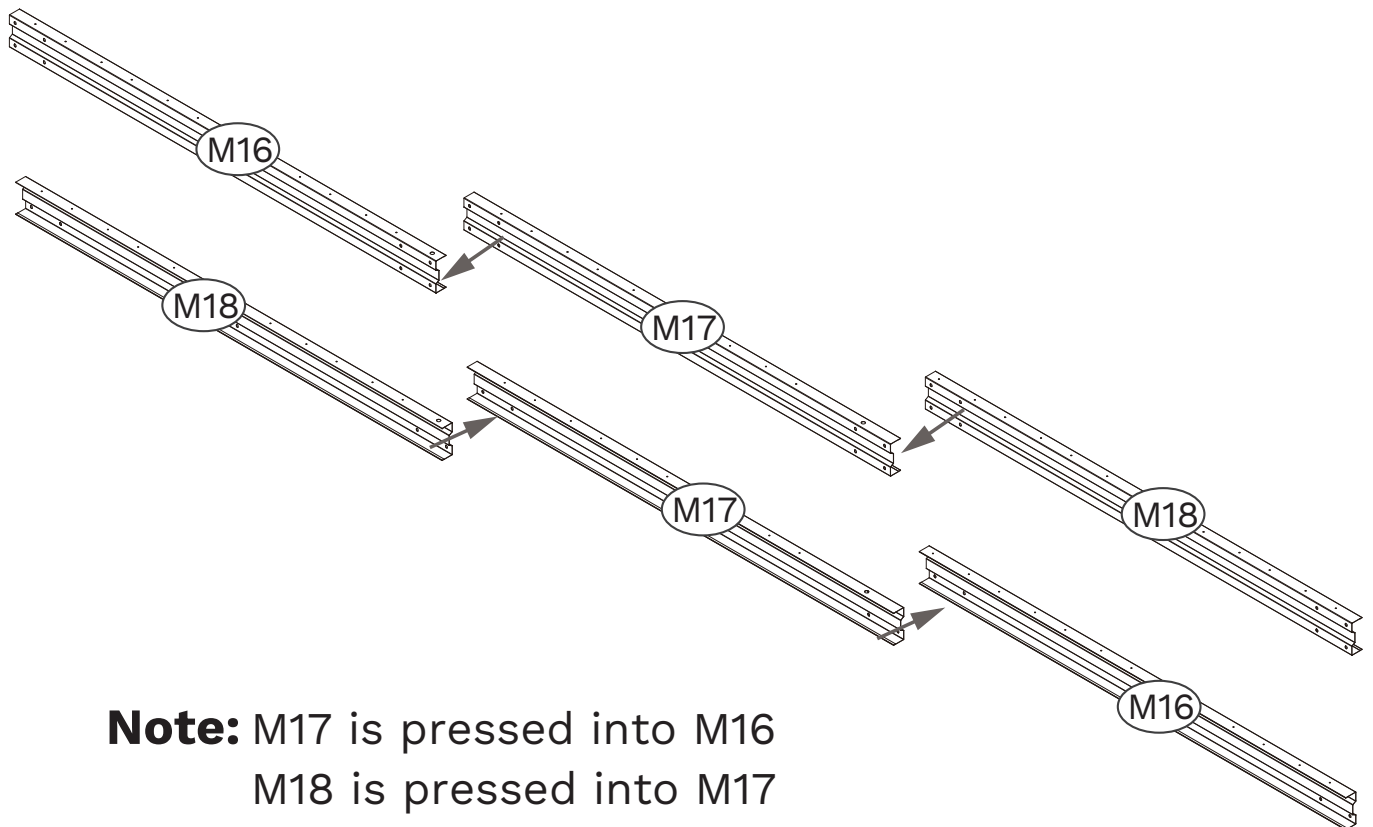


Note: The door frame (ULA,UR1) should cover the raised part on the wall panel, not insert.

STEP 15

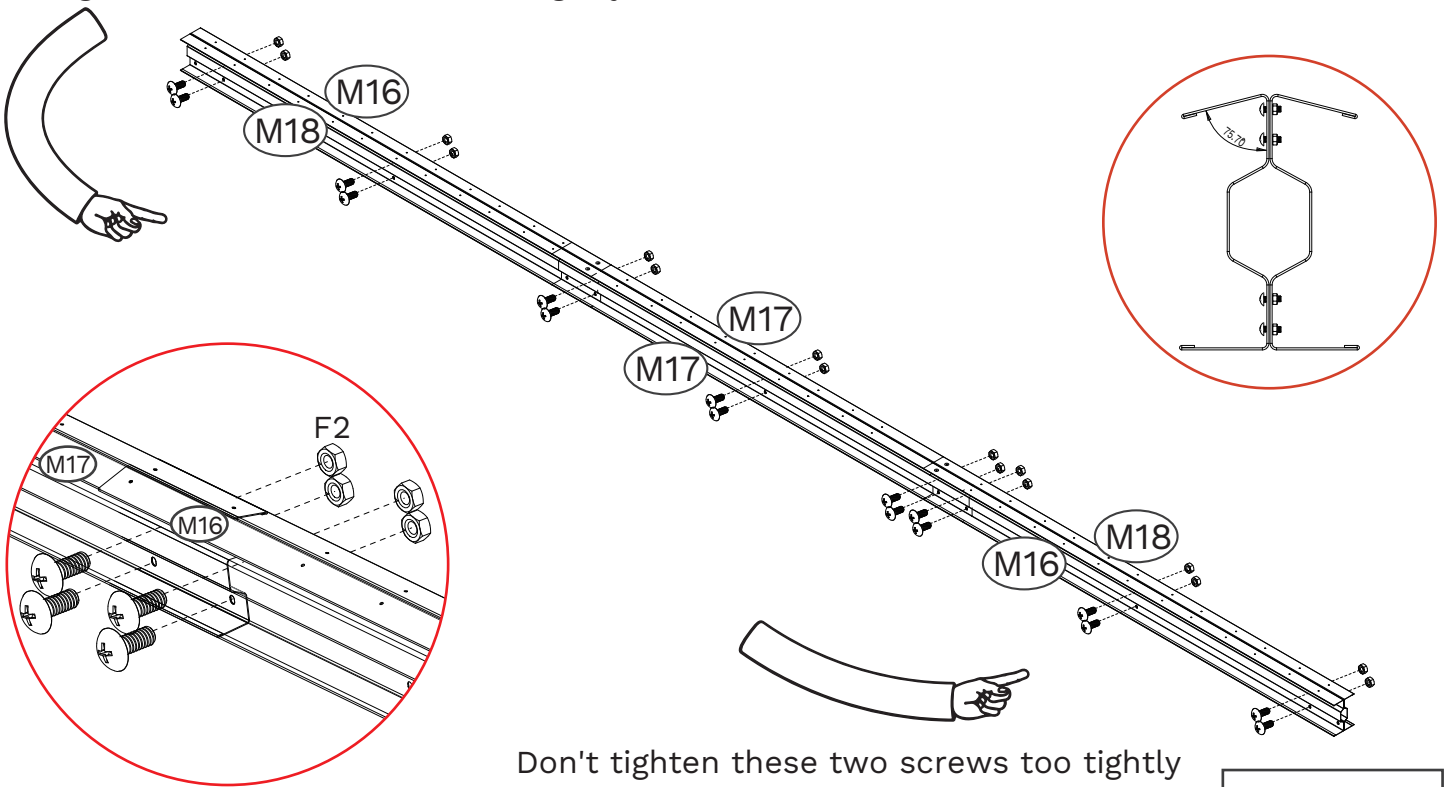


STEP 16

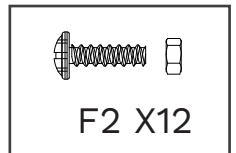


STEP 17

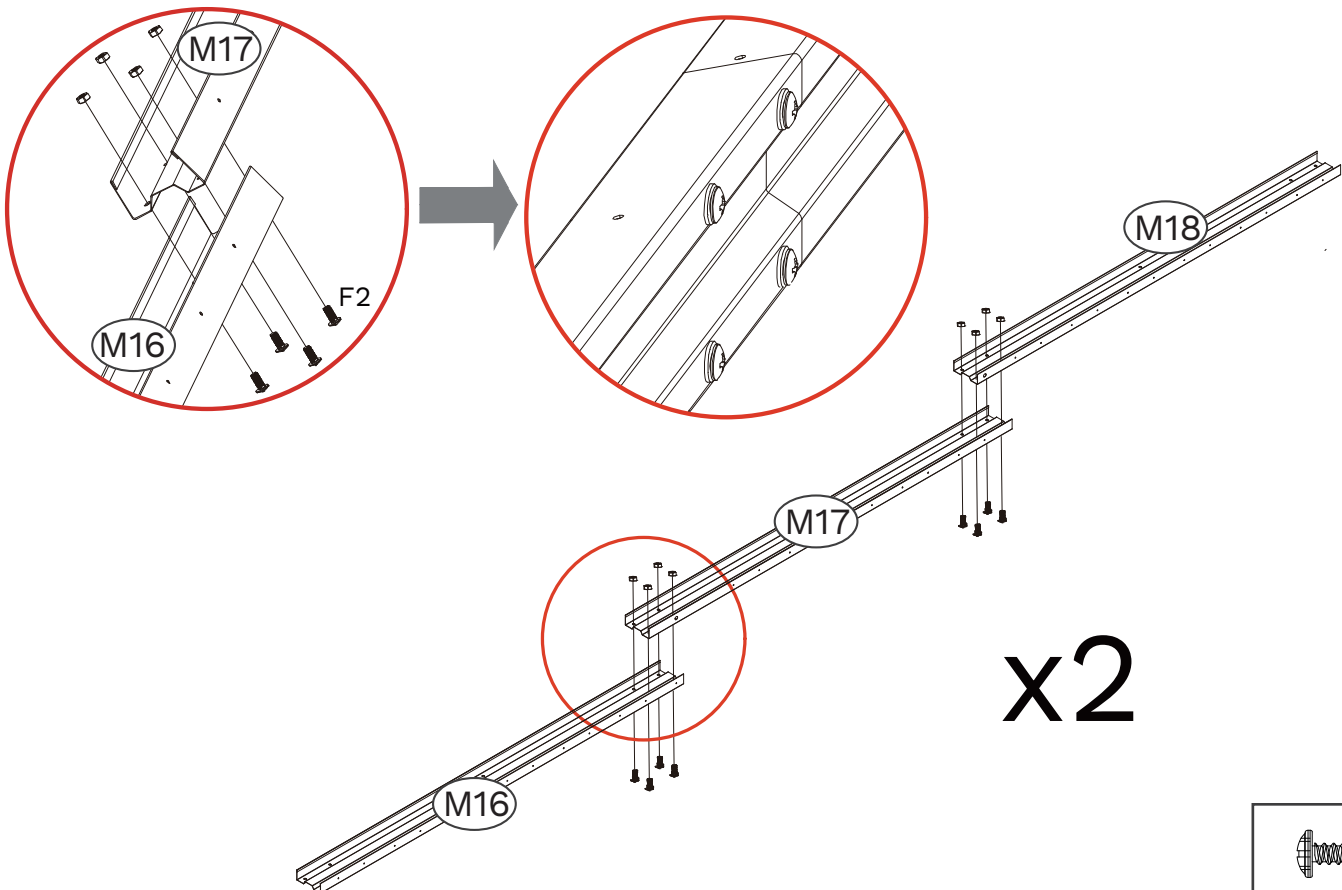
Don't tighten these two screws too tightly



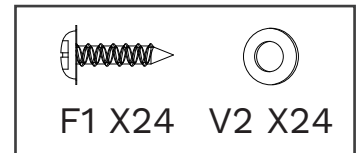
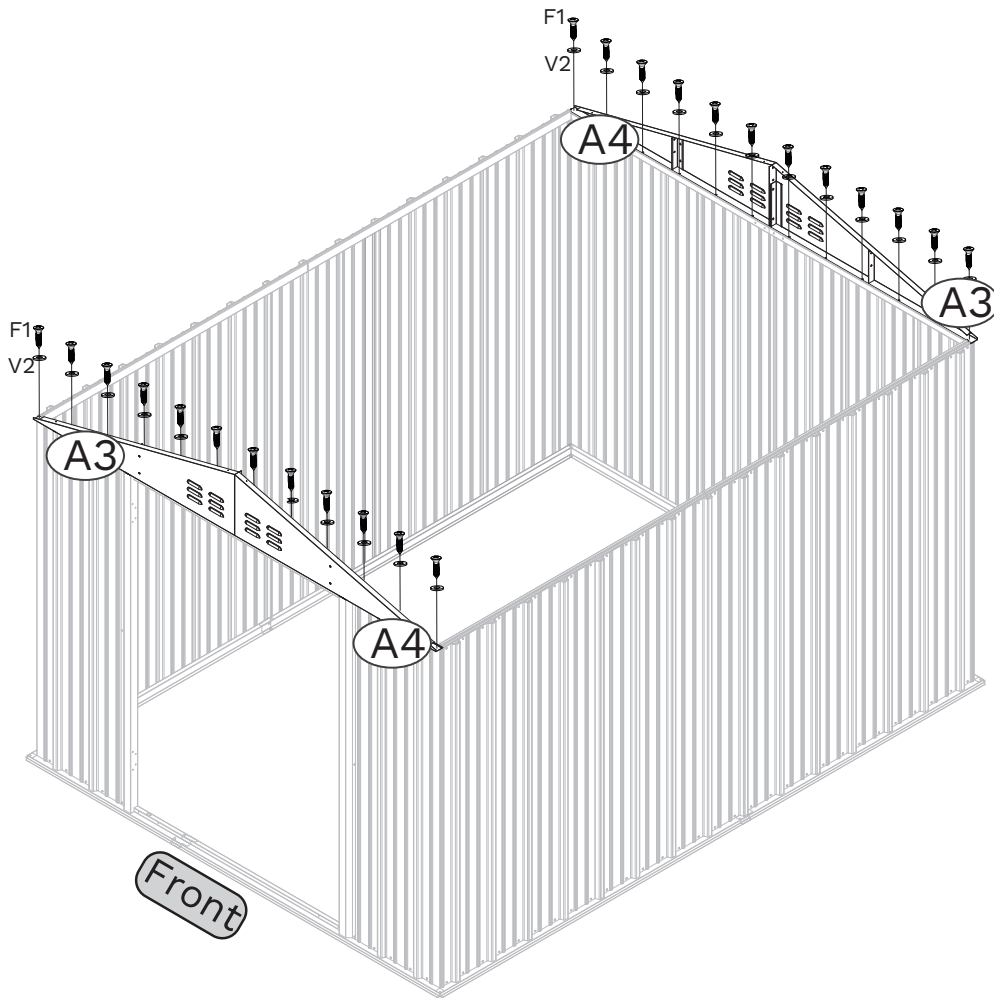
Don't tighten these two screws too tightly



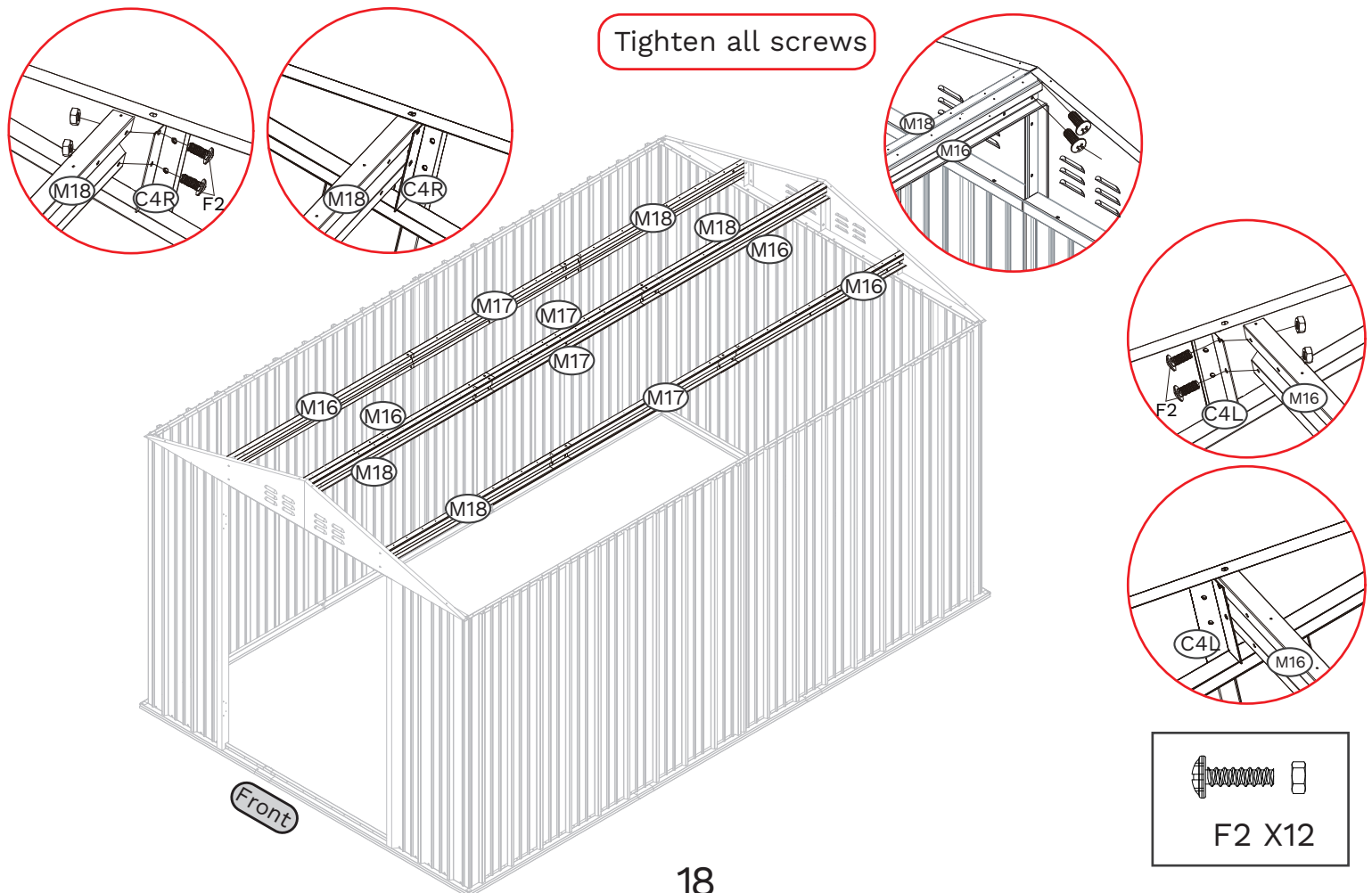
STEP 18



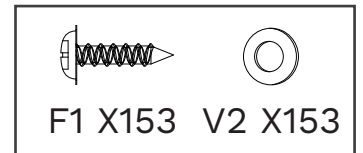
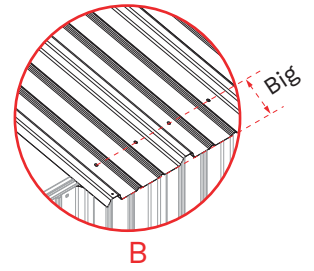
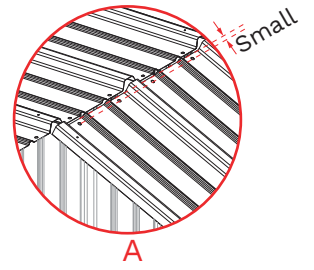
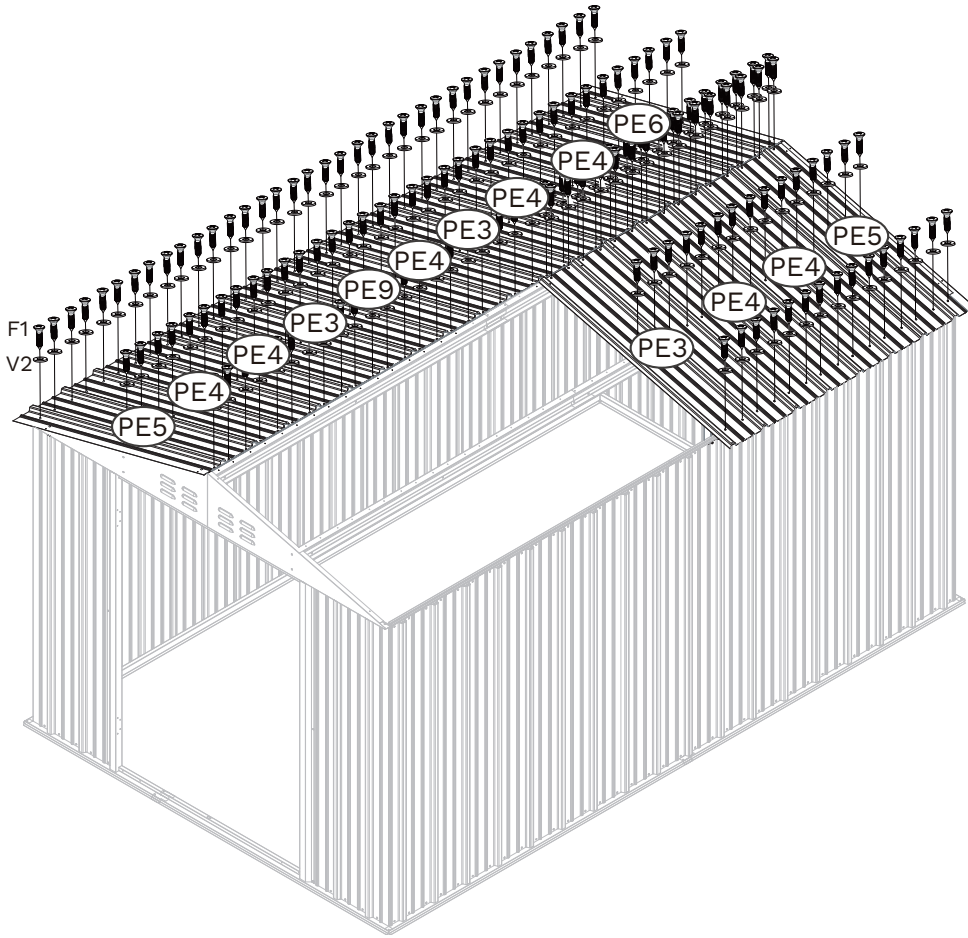
STEP 19



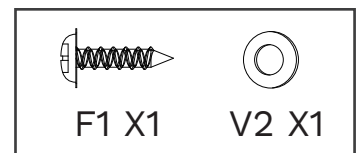
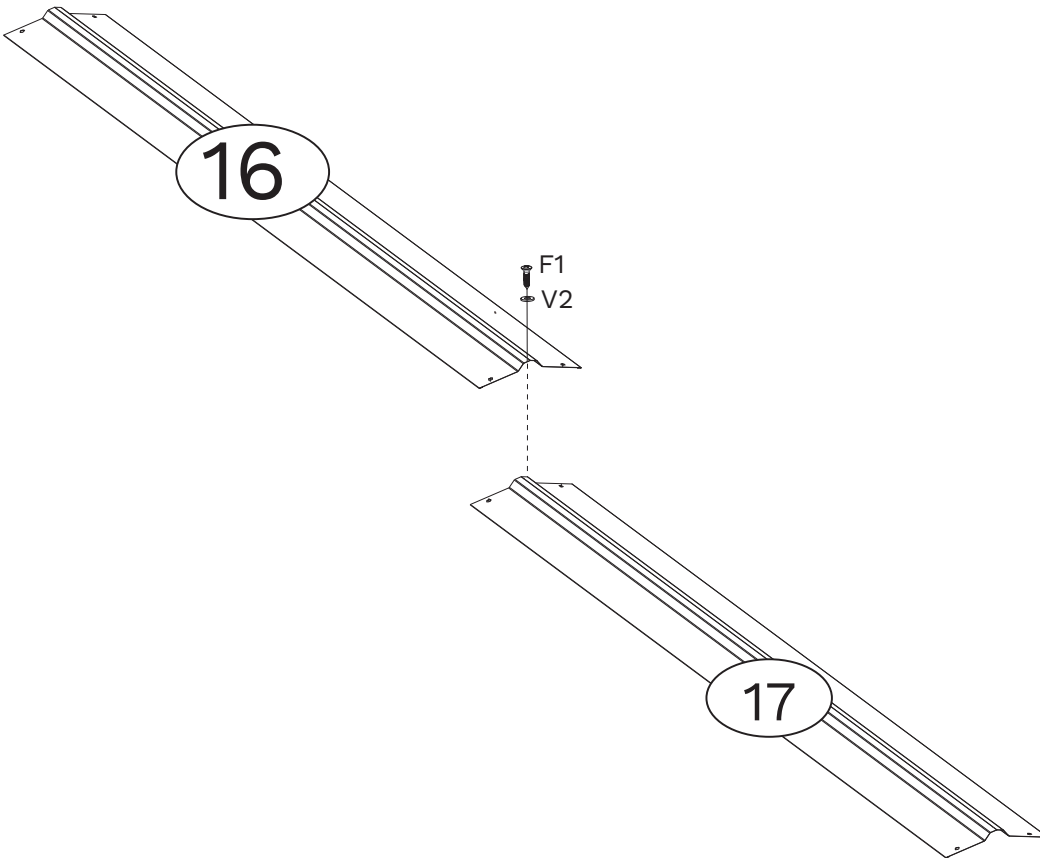
STEP 20



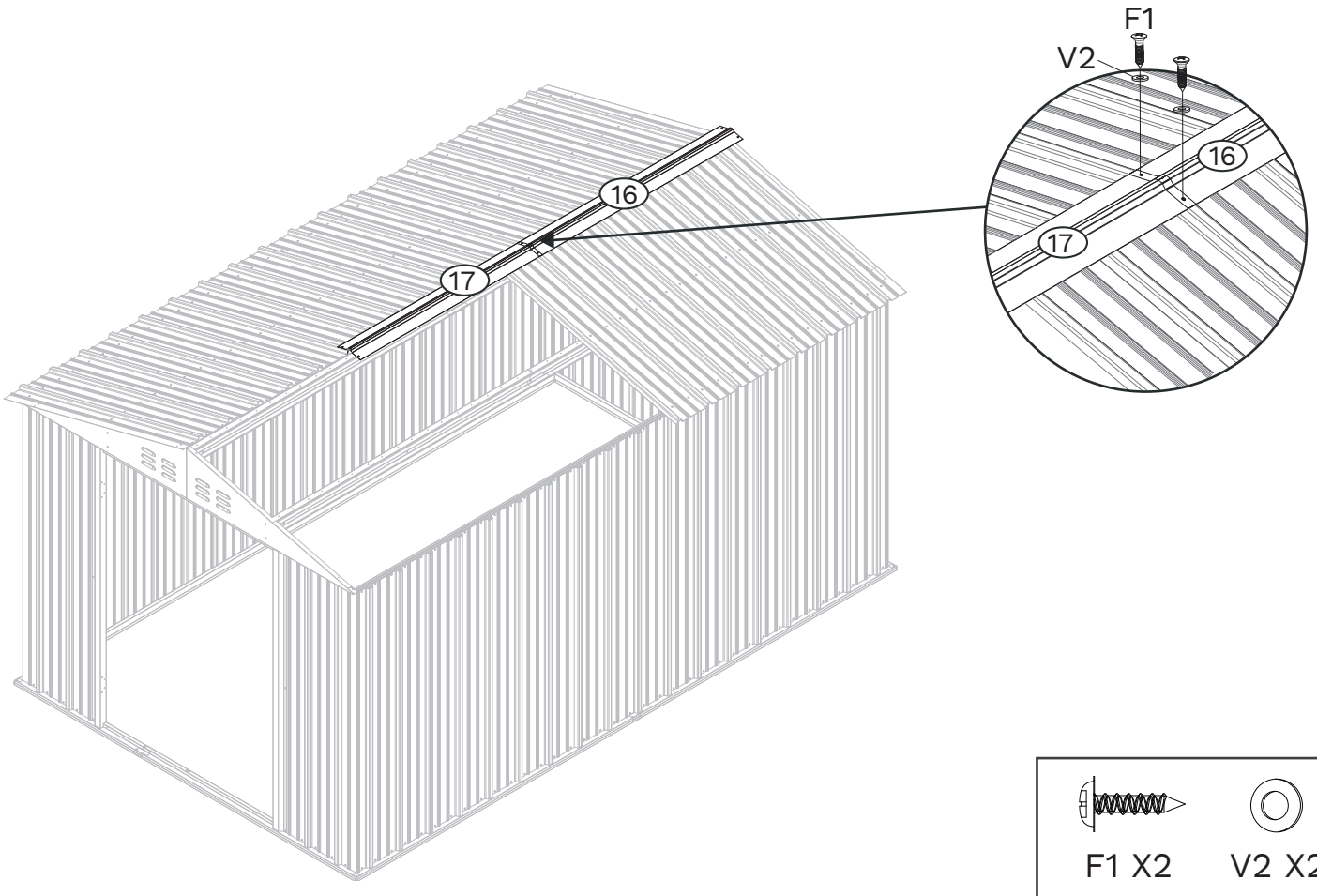
STEP 21



STEP 22

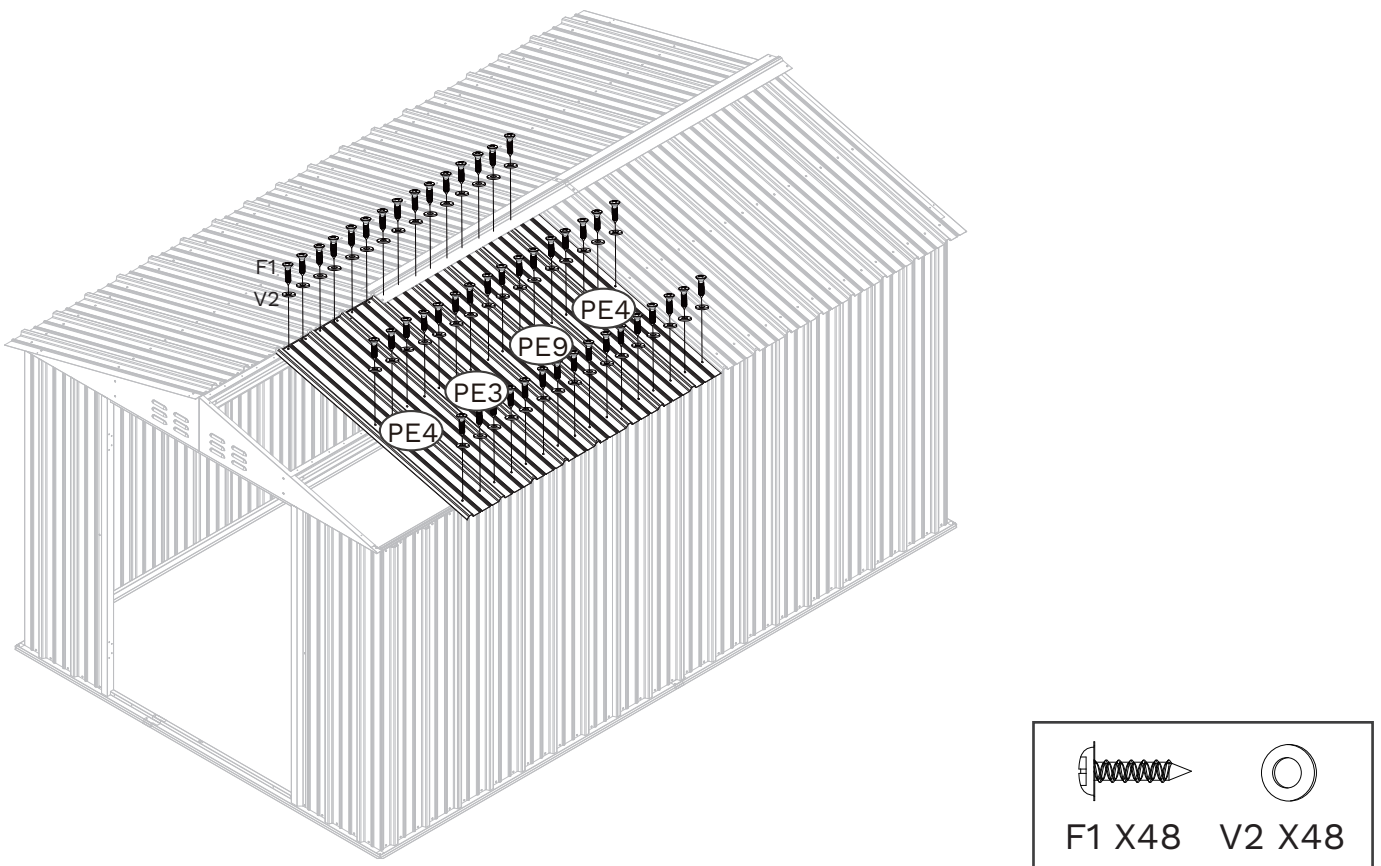


STEP 23

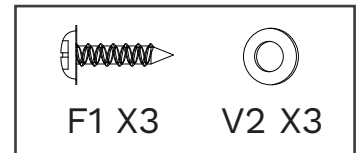
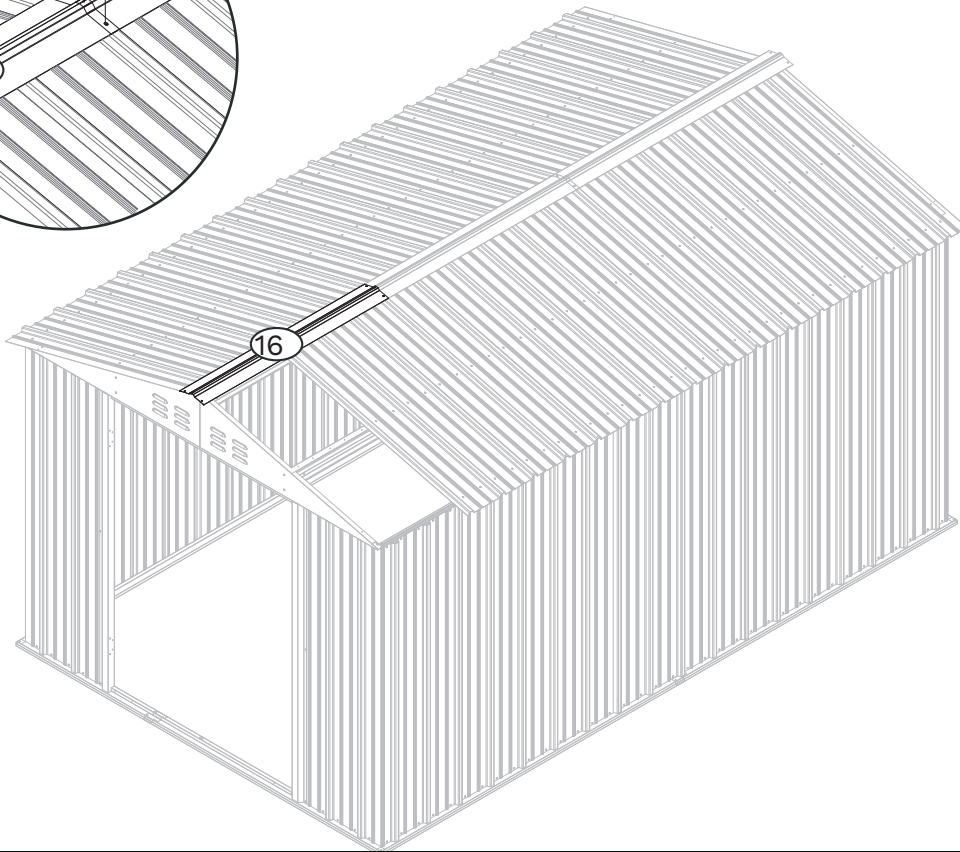
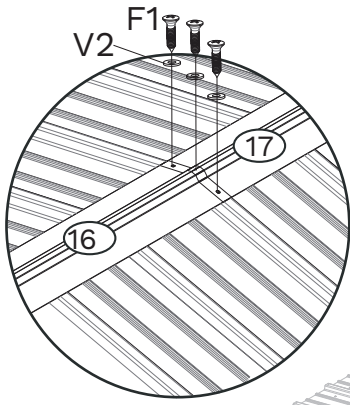


STEP 24

Installation tips You need to gently lift the 19B and then screw it.

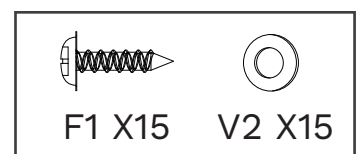
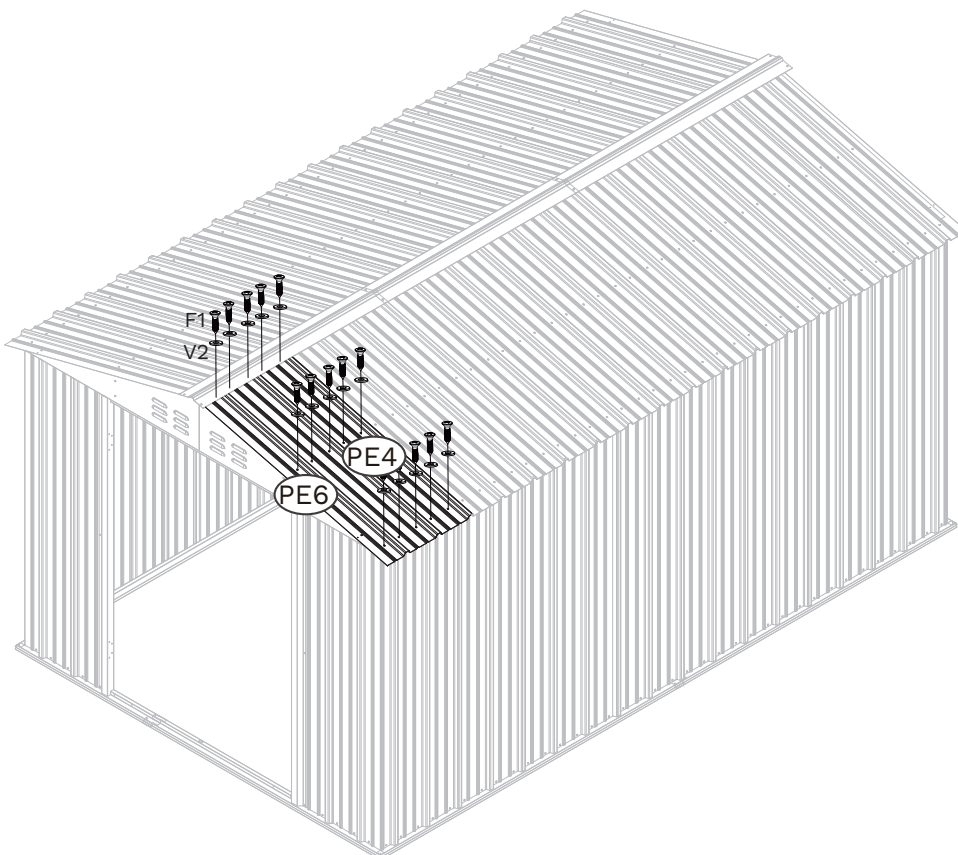


STEP 25



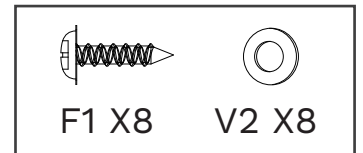
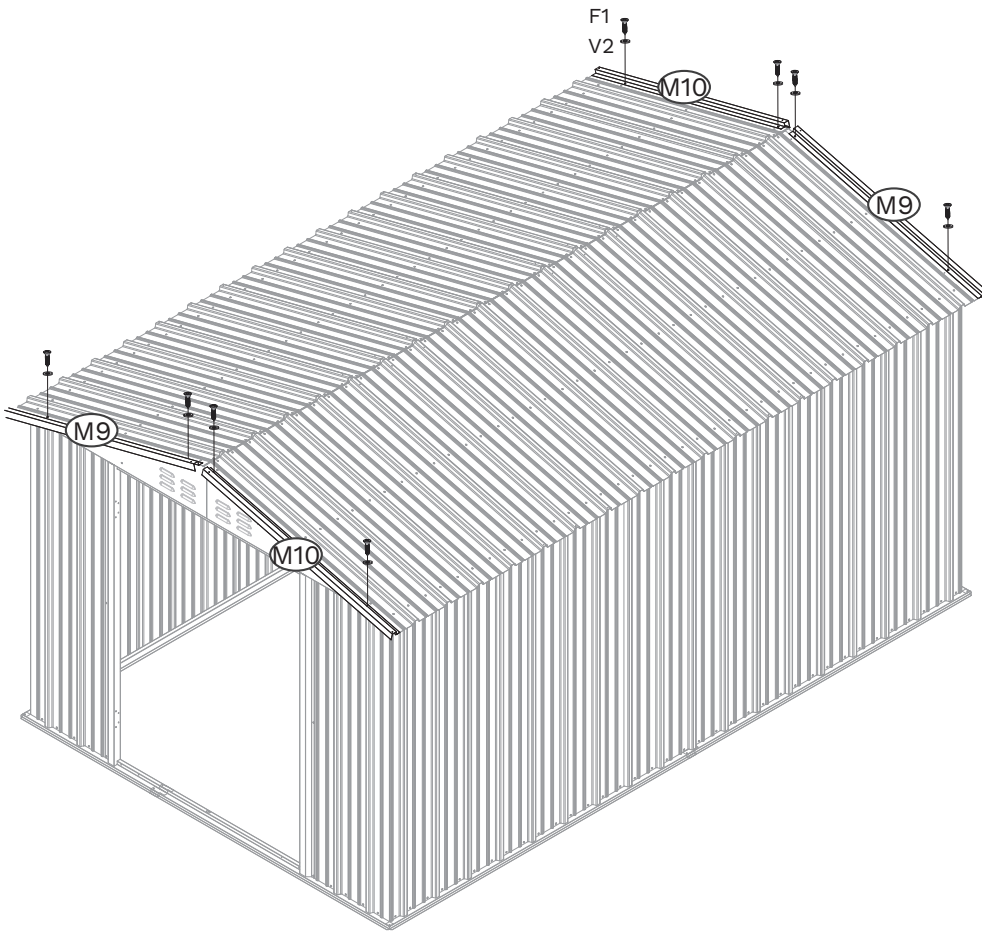
STEP 26

Installation tips You need to gently lift the 19B and then screw it.

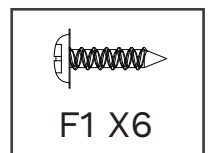
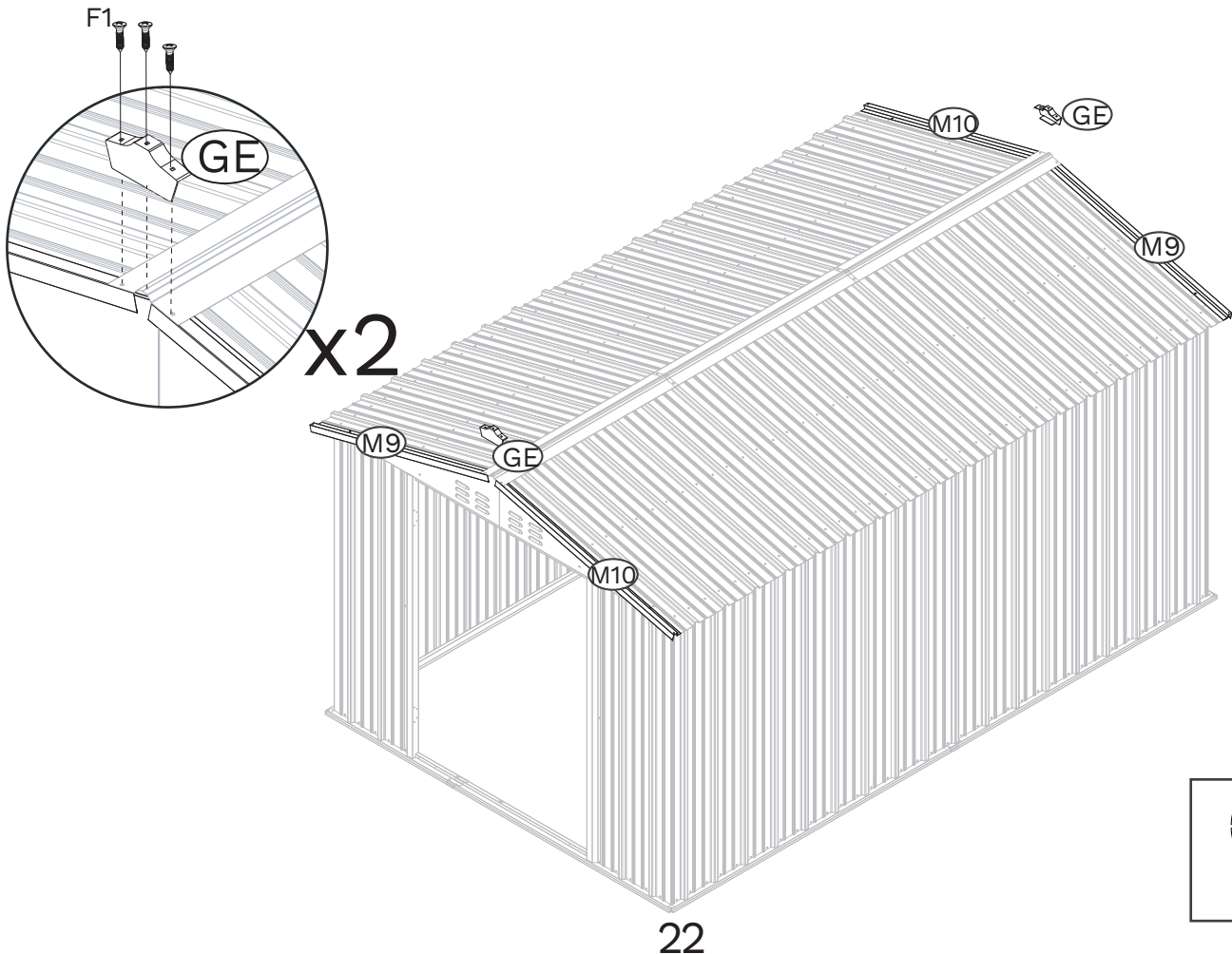


STEP 27

In this step, hide 19/19A/19B and don't show it for the time being.

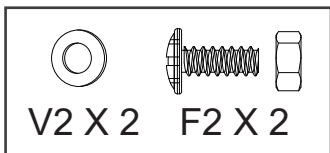
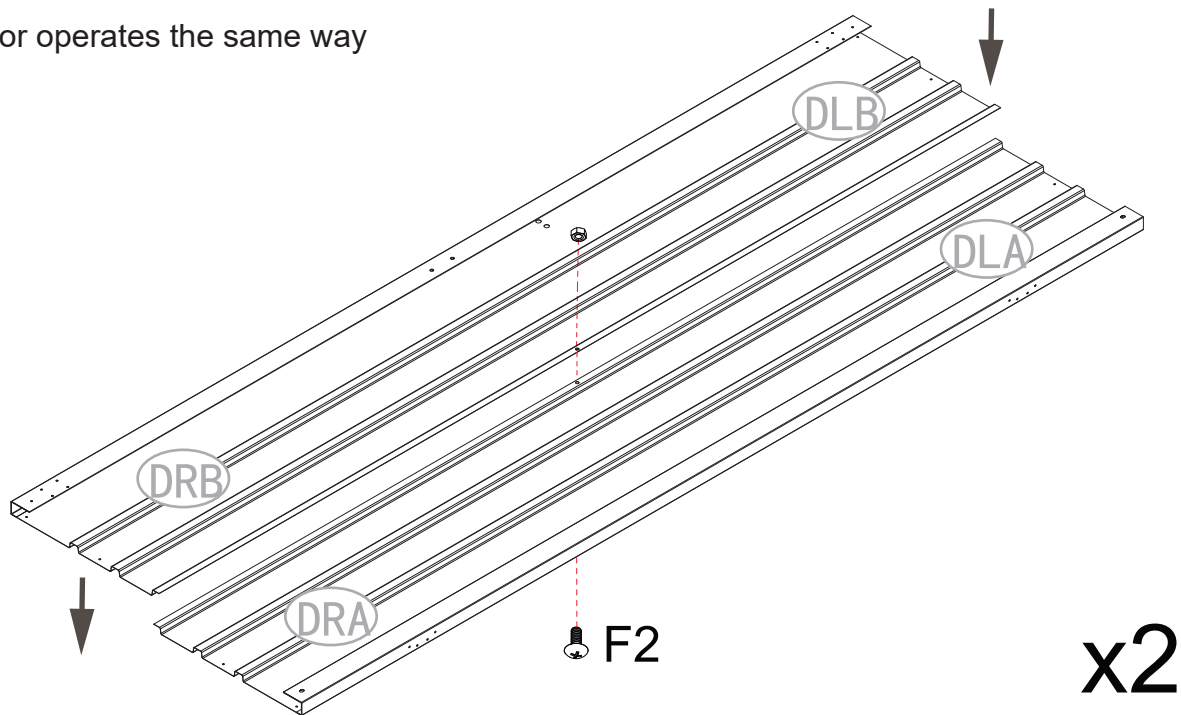


STEP 28

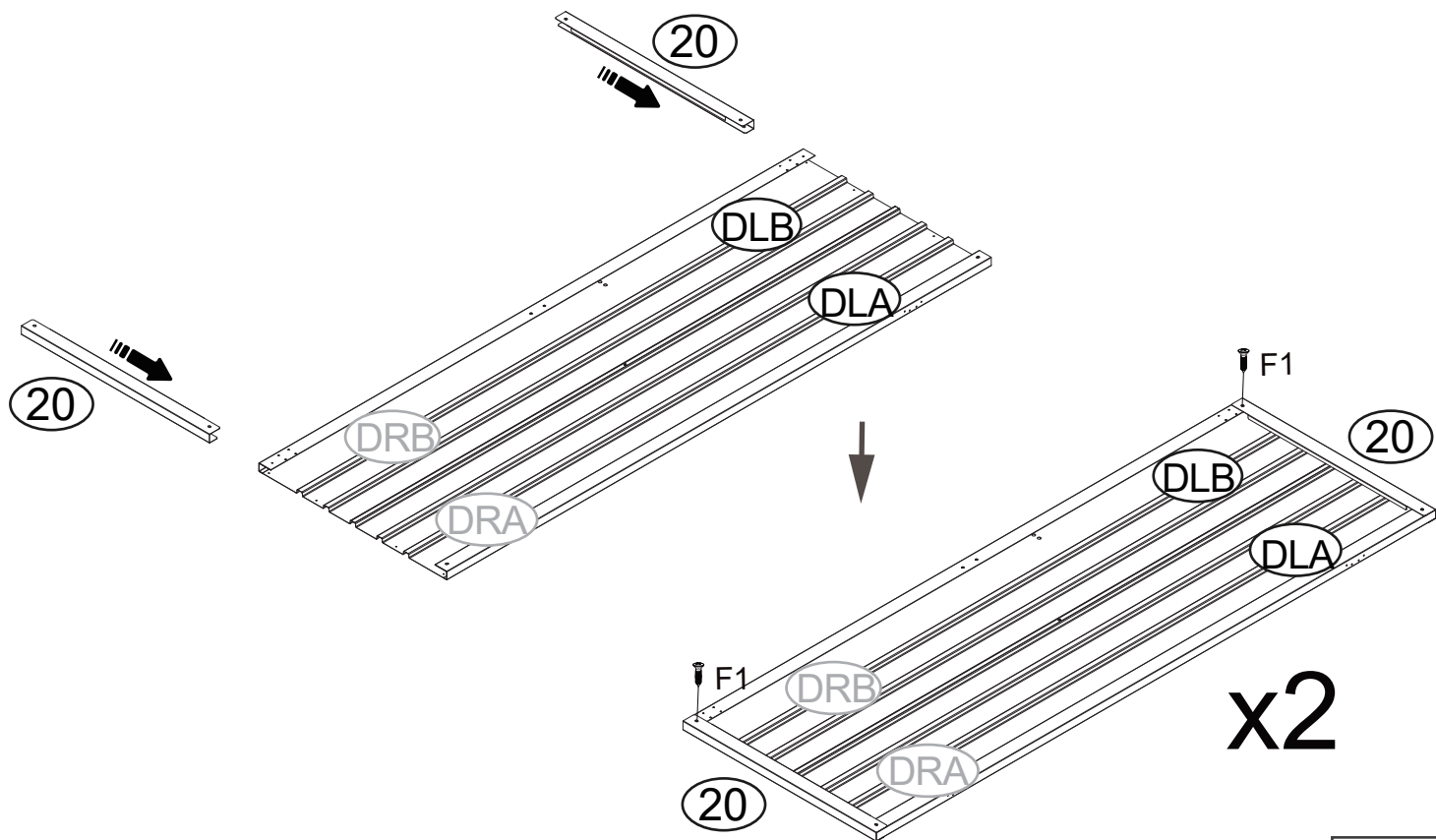


STEP 31

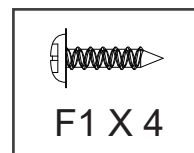
The other door operates the same way



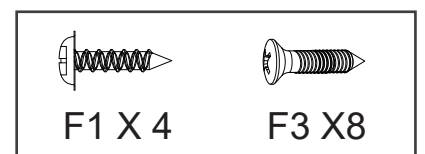
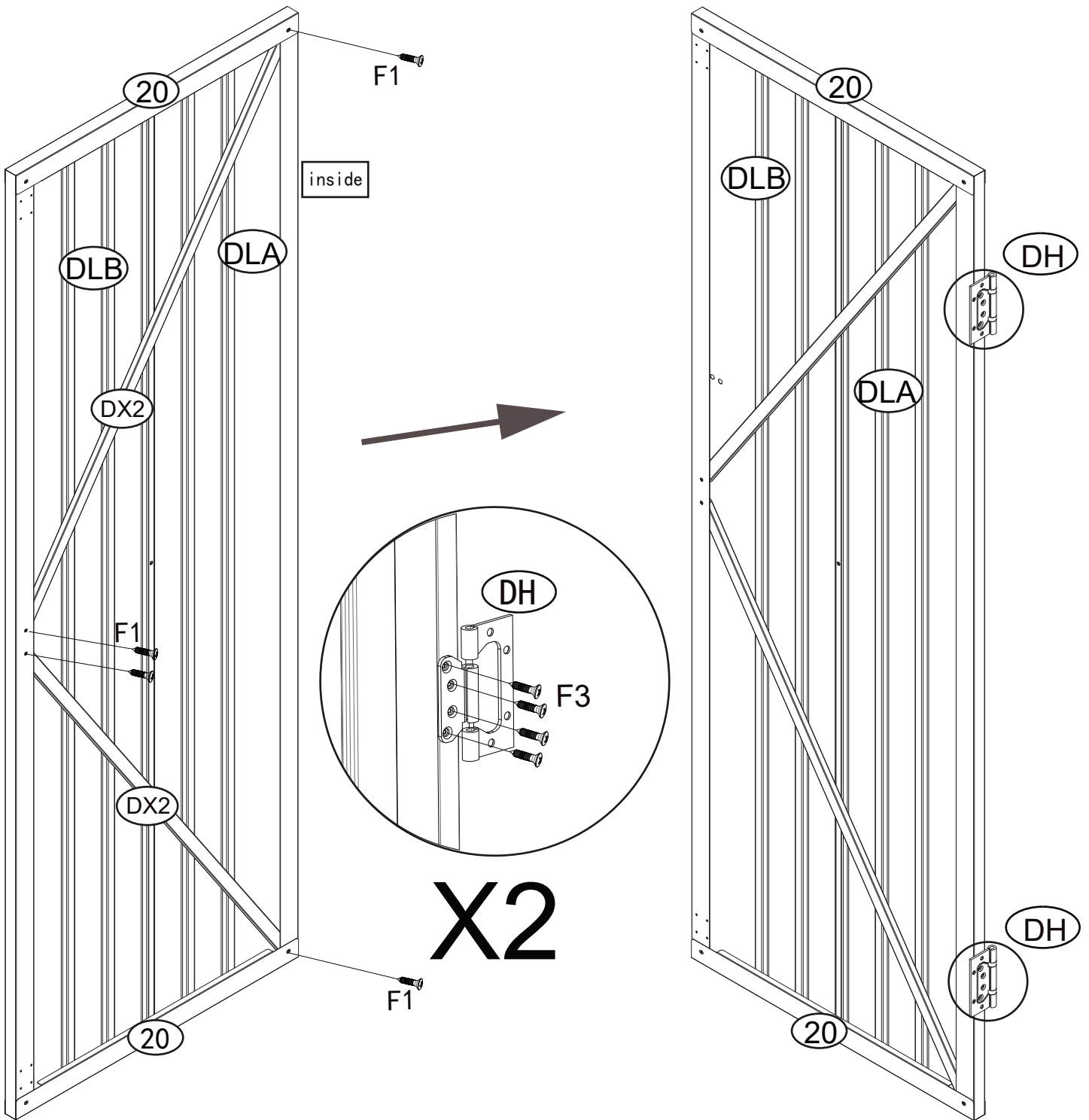
STEP 32



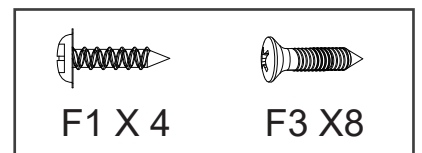
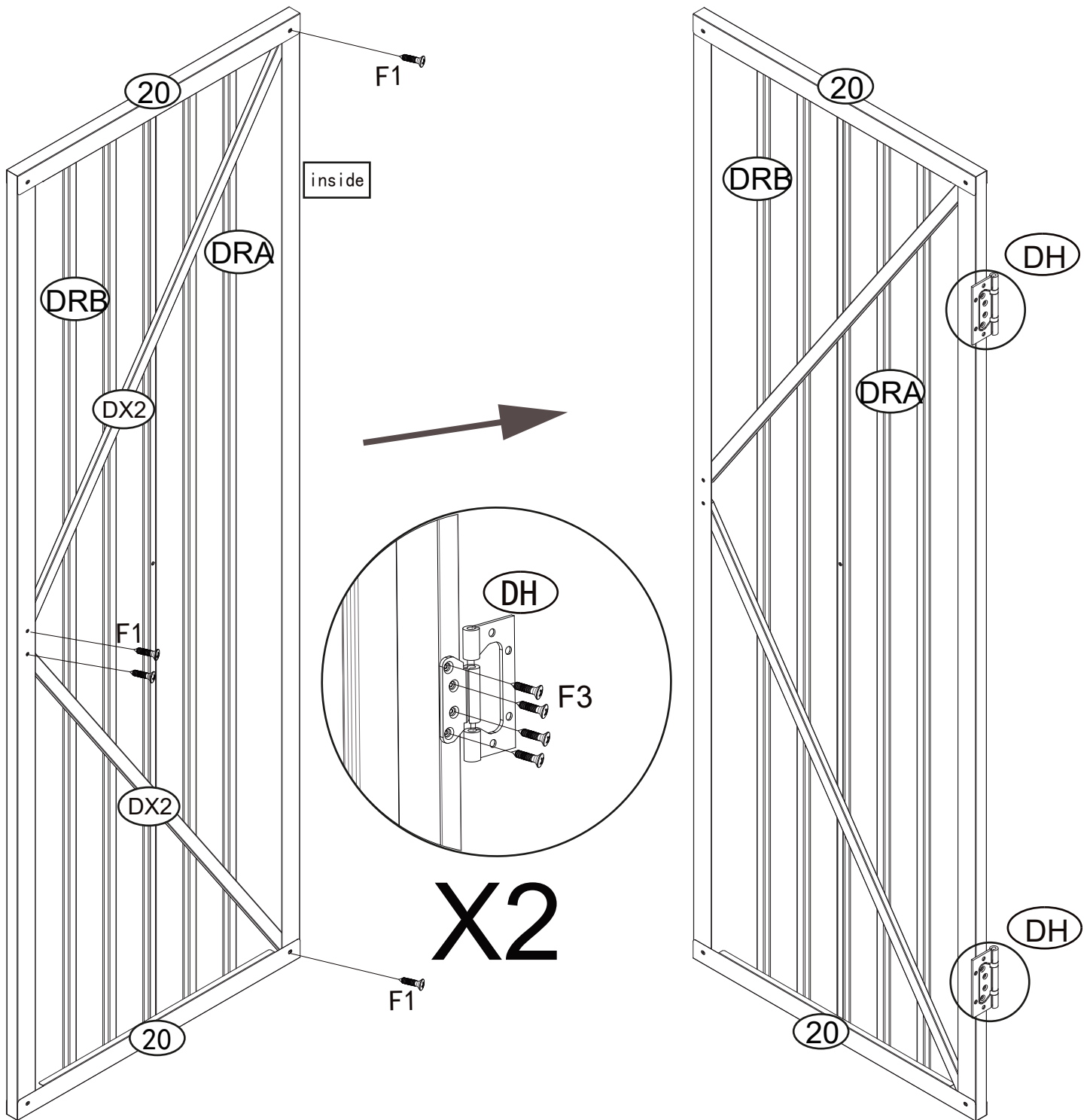
The other door operates the same way



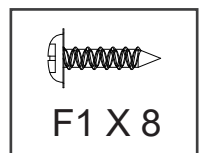
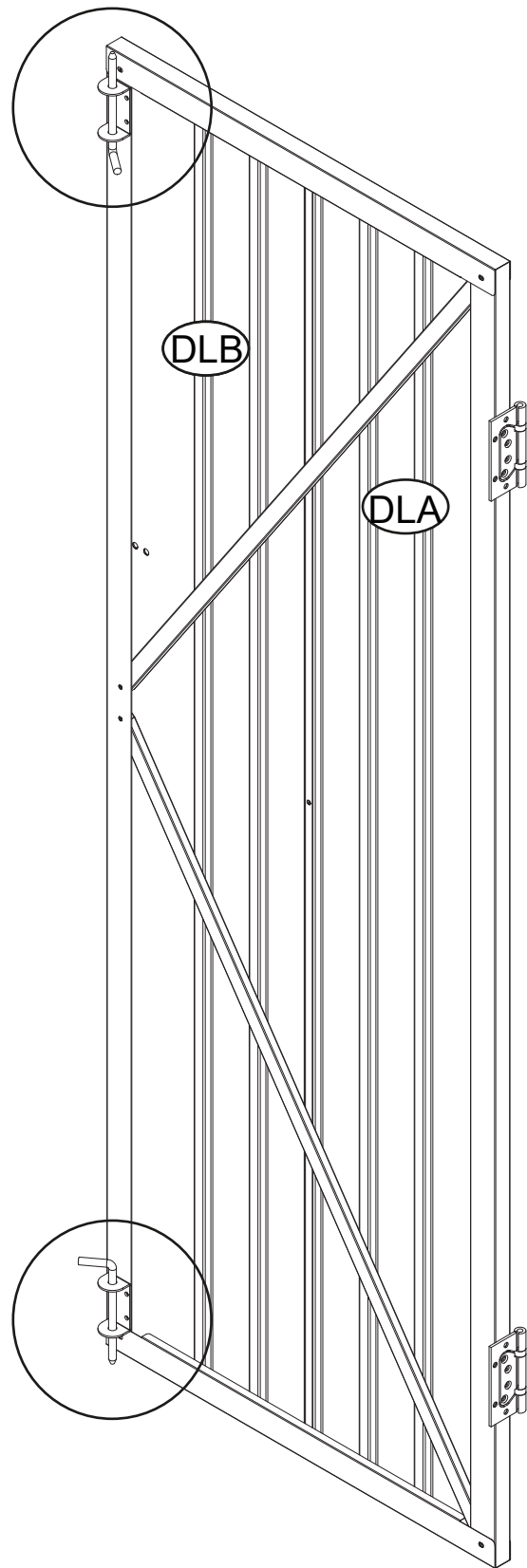
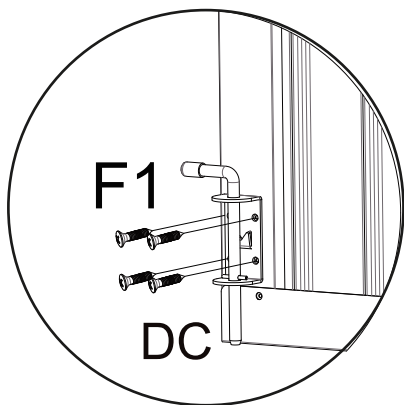
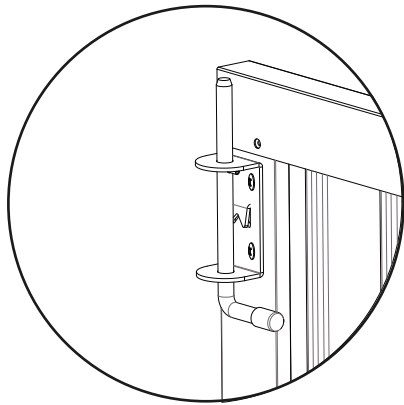
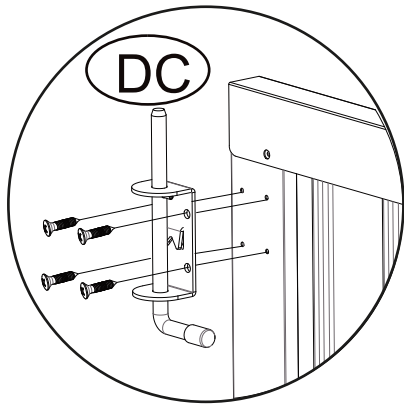
STEP 33



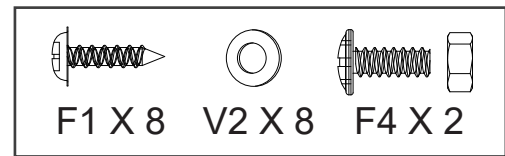
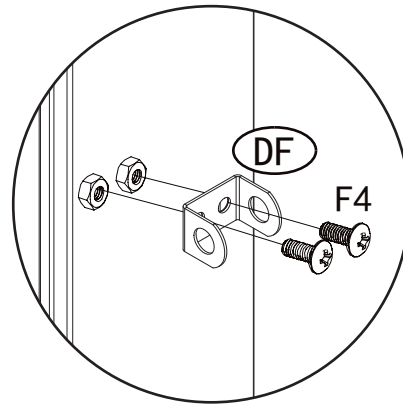
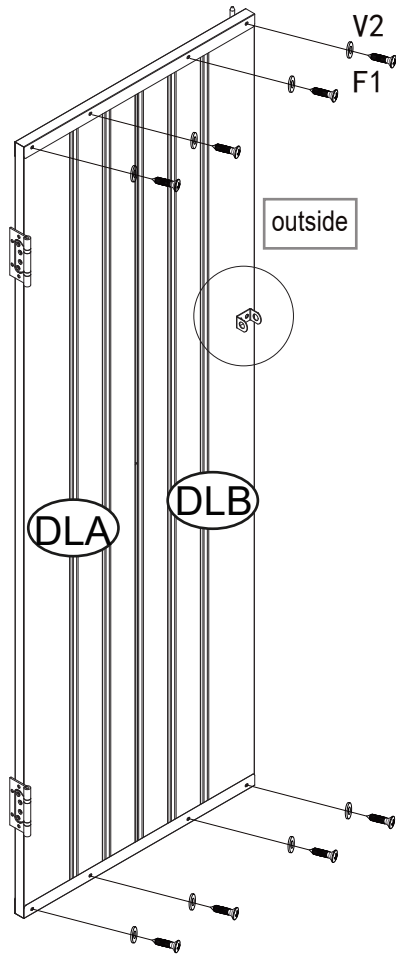
STEP 34



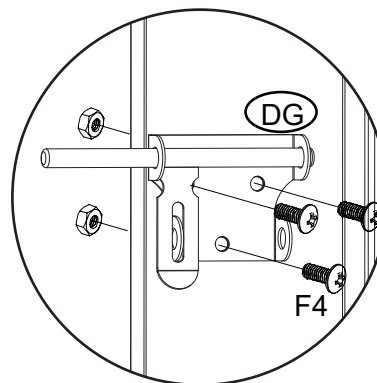
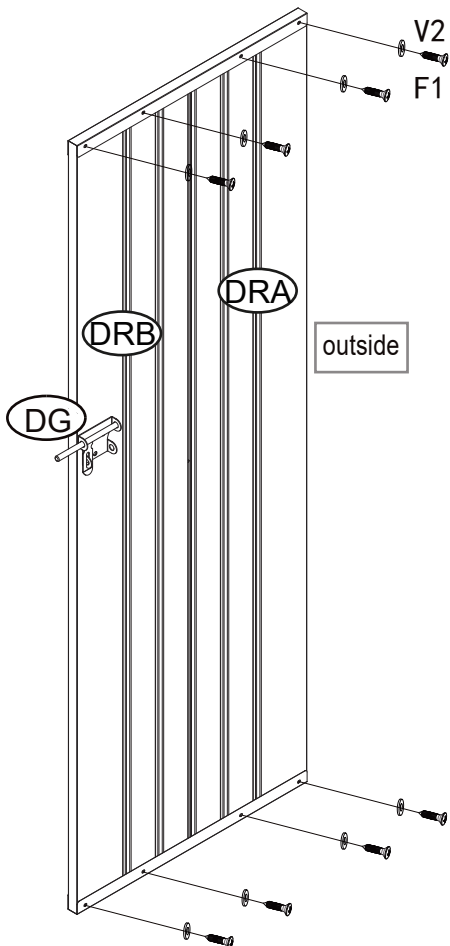
STEP 35



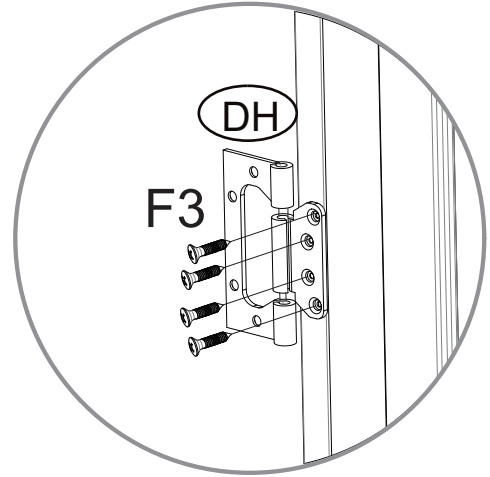
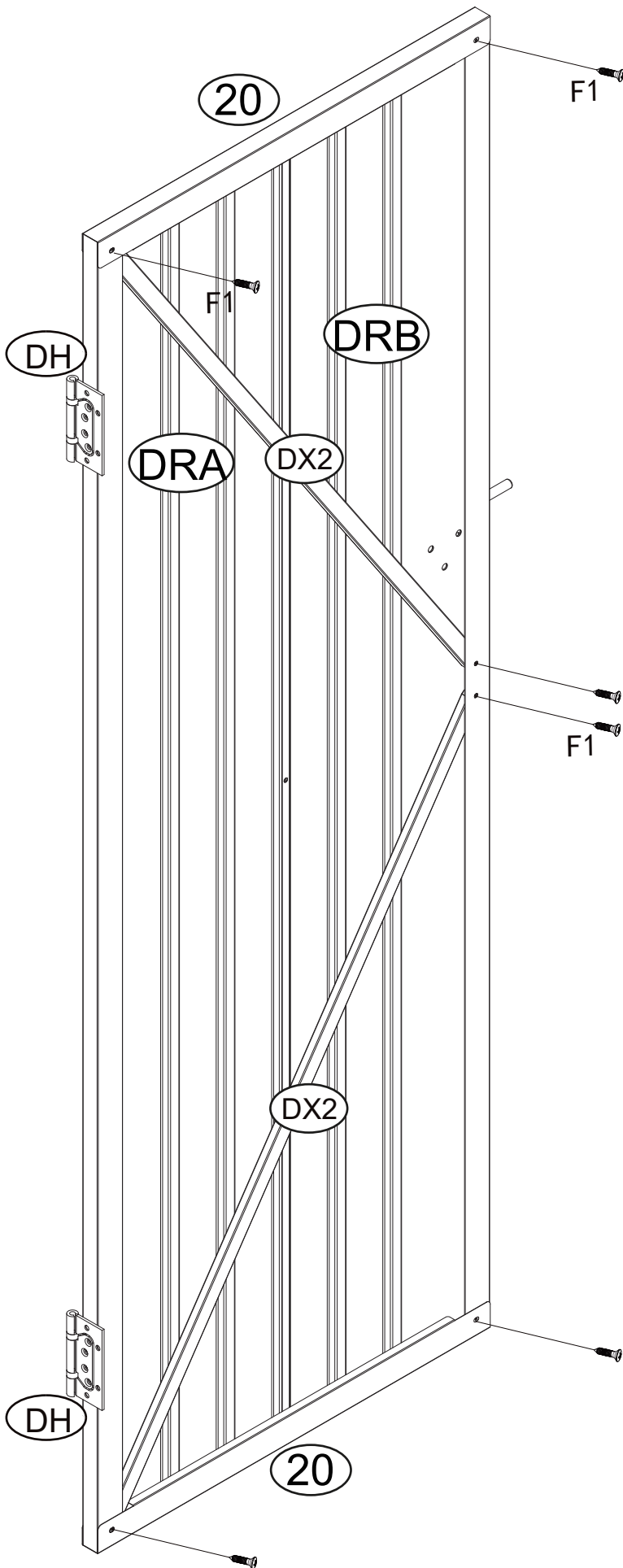
STEP 36



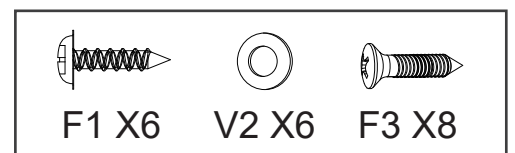
STEP 37



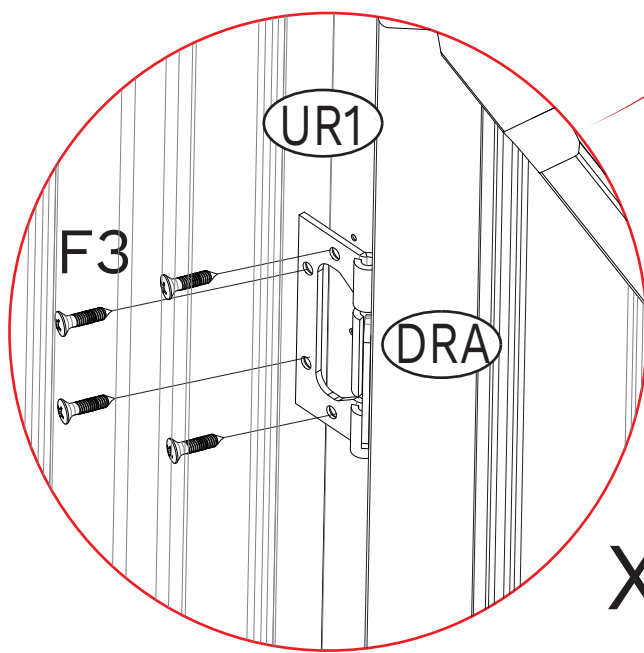
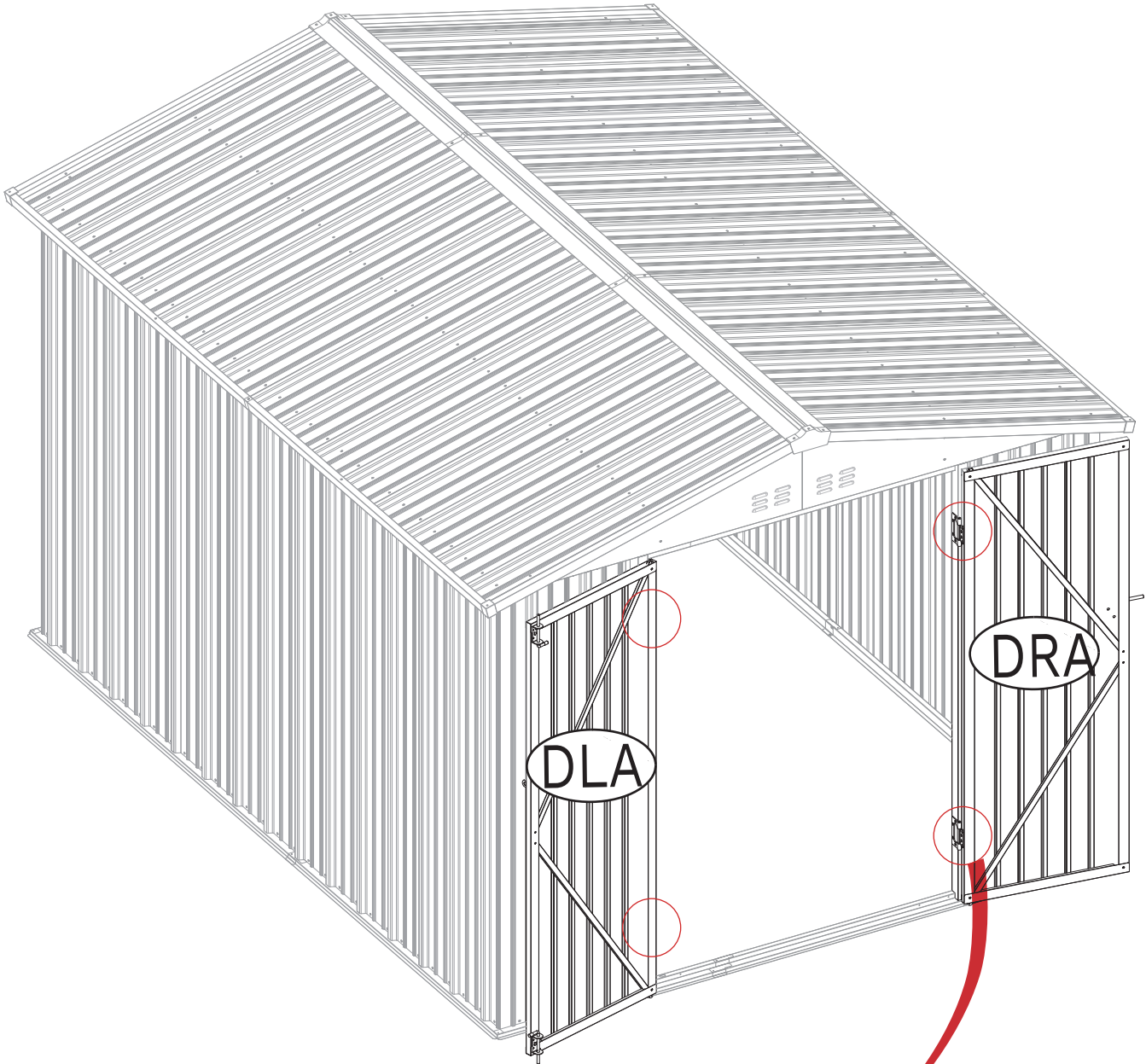
STEP 38



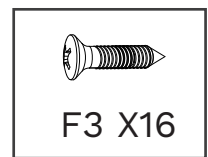
X2



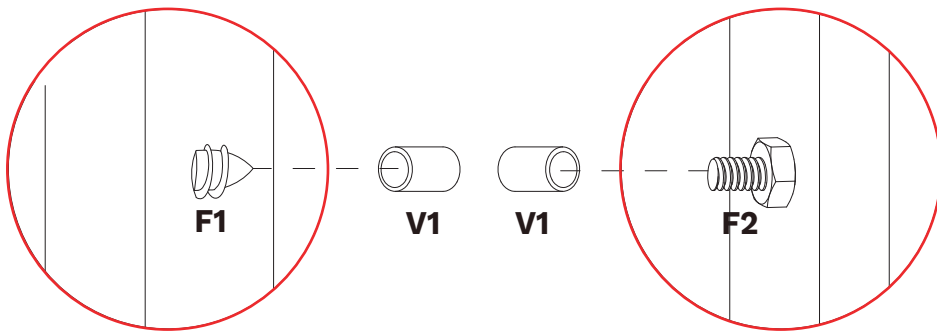
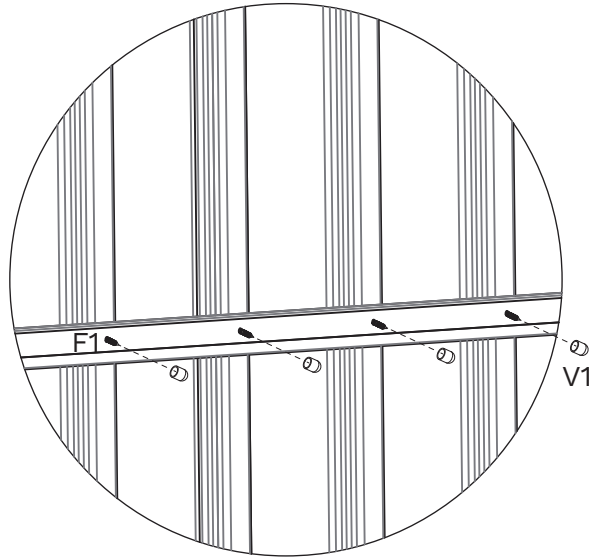
STEP 39



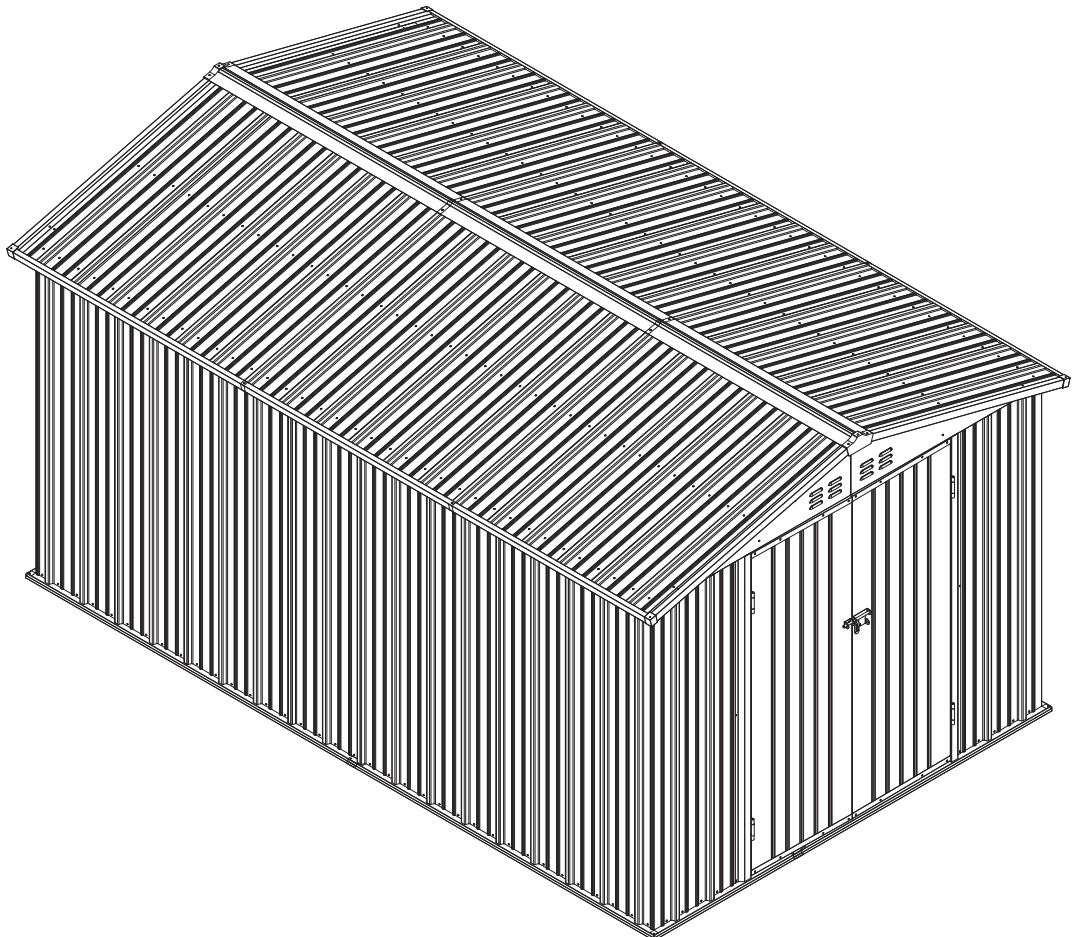
X4



STEP 40



FINISH



CARE & SAFETY

- In case of fire, do not attempt to extinguish any burning polypropylene with water
- Unsuitable for storage of flammable or corrosive substances.
- It is of utmost importance to assemble all of the parts according to the directions. Do not skip any step.
- Please consult your local authorities if any permits are required to erect shed.
- Periodically check shed to assure that it remains stable and that the site remains level.
- It is highly recommended to secure the shed to an immovable object or to the ground by drilling holes in the floor at the pre-marked locations and inserting proper screws into the ground (size: 1.9"-3" ,screws are not included).
- Wear safety-goggles and always follow the manufacturer's instructions when using power tools.
- Wash shed with garden hose or a mild detergent solution. Using a stiff brush or abrasive cleaner could damage shed.
- Hot items such as recently used grills, blowtorches, etc. must not be stored in the shed.
- Heavy articles should not be leaned against the walls, as this may cause distortion.
- Keep roof clean of snow and leaves. Heavy amounts of snow on roof can damage the shed making it unsafe to enter.
- Although wind direction varies, it is an important factor when taking into account where to place your shed. Therefore, it is recommended to reduce wind exposure of the shed in general, and the door side in particular.
- Keep doors closed and locked to prevent wind damage.
- Do not stand on the roof.