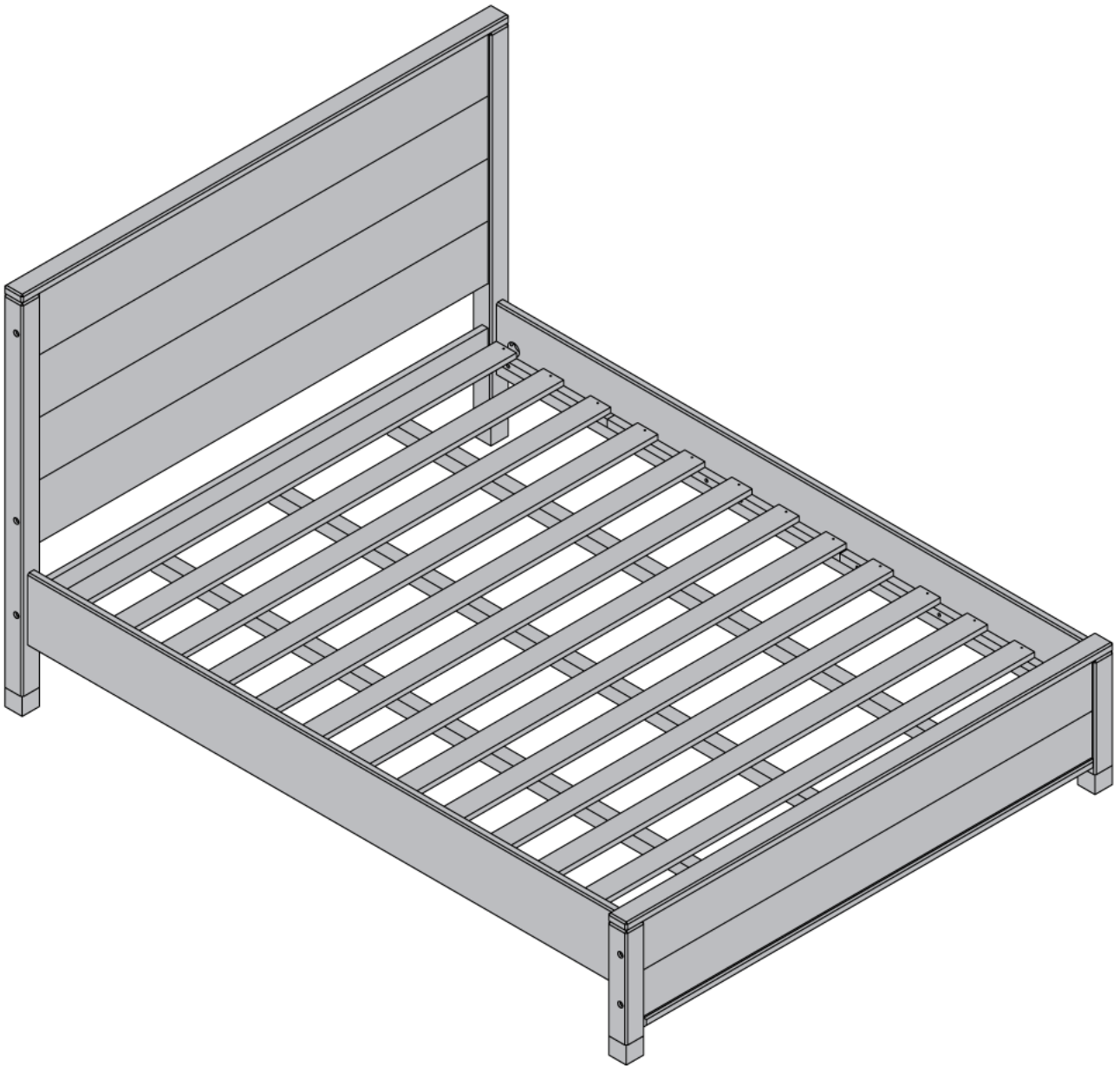


Platform Bed - Queen Size



Assembly
02 people



Time
1:30 hours approximately

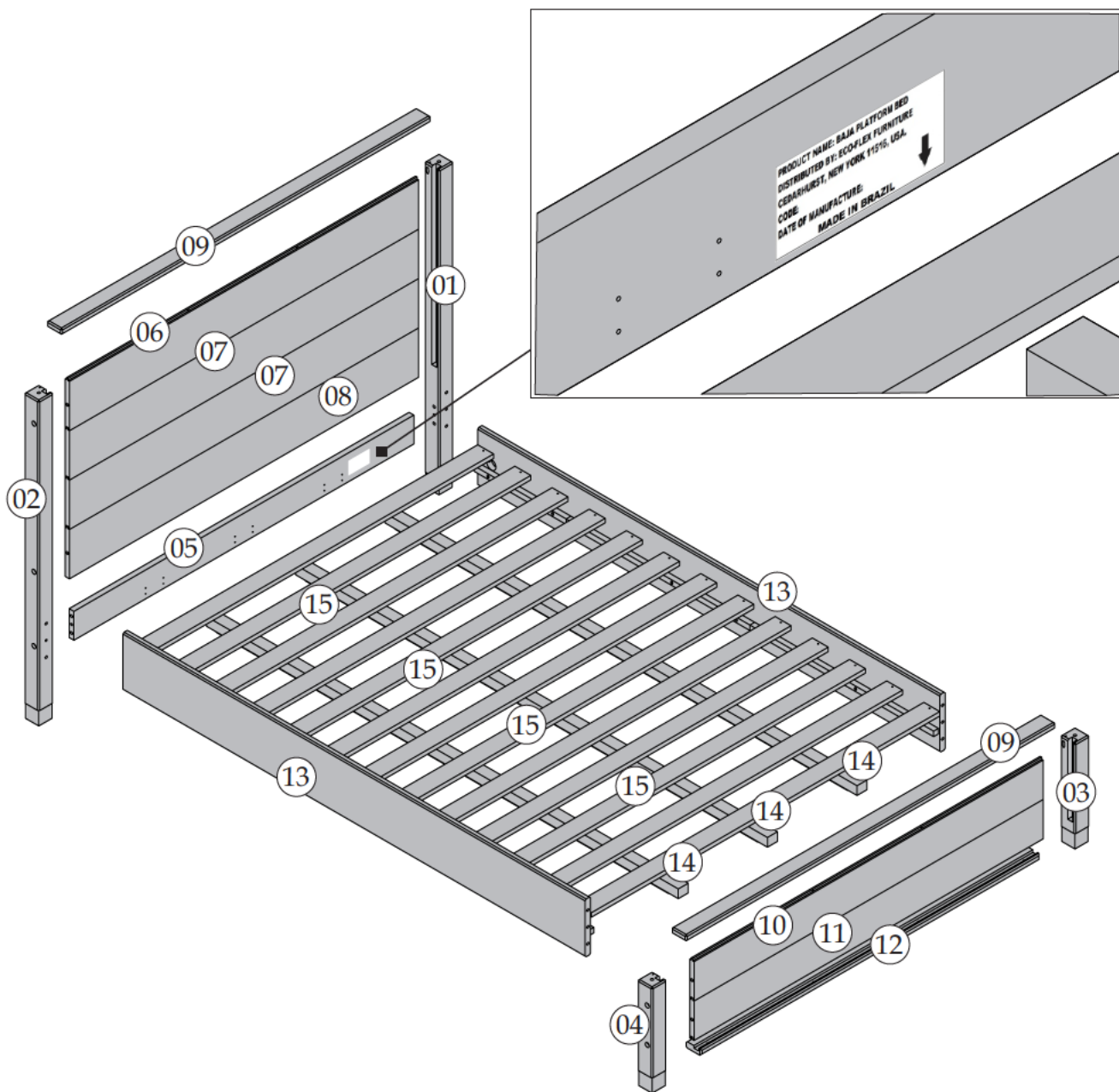


Tools
philips key, rubber hammer



Volume quantity
02 boxes

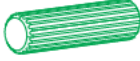



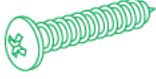








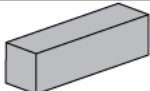
Parts list for assembly. Please confirm all parts available before assembly

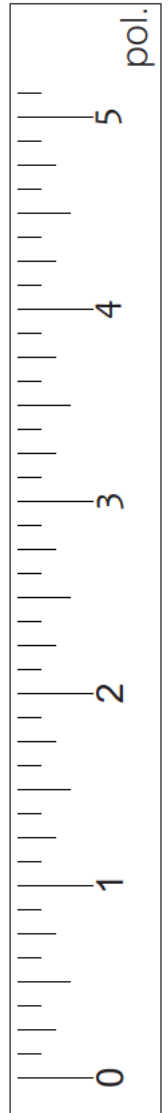


ATTENTION

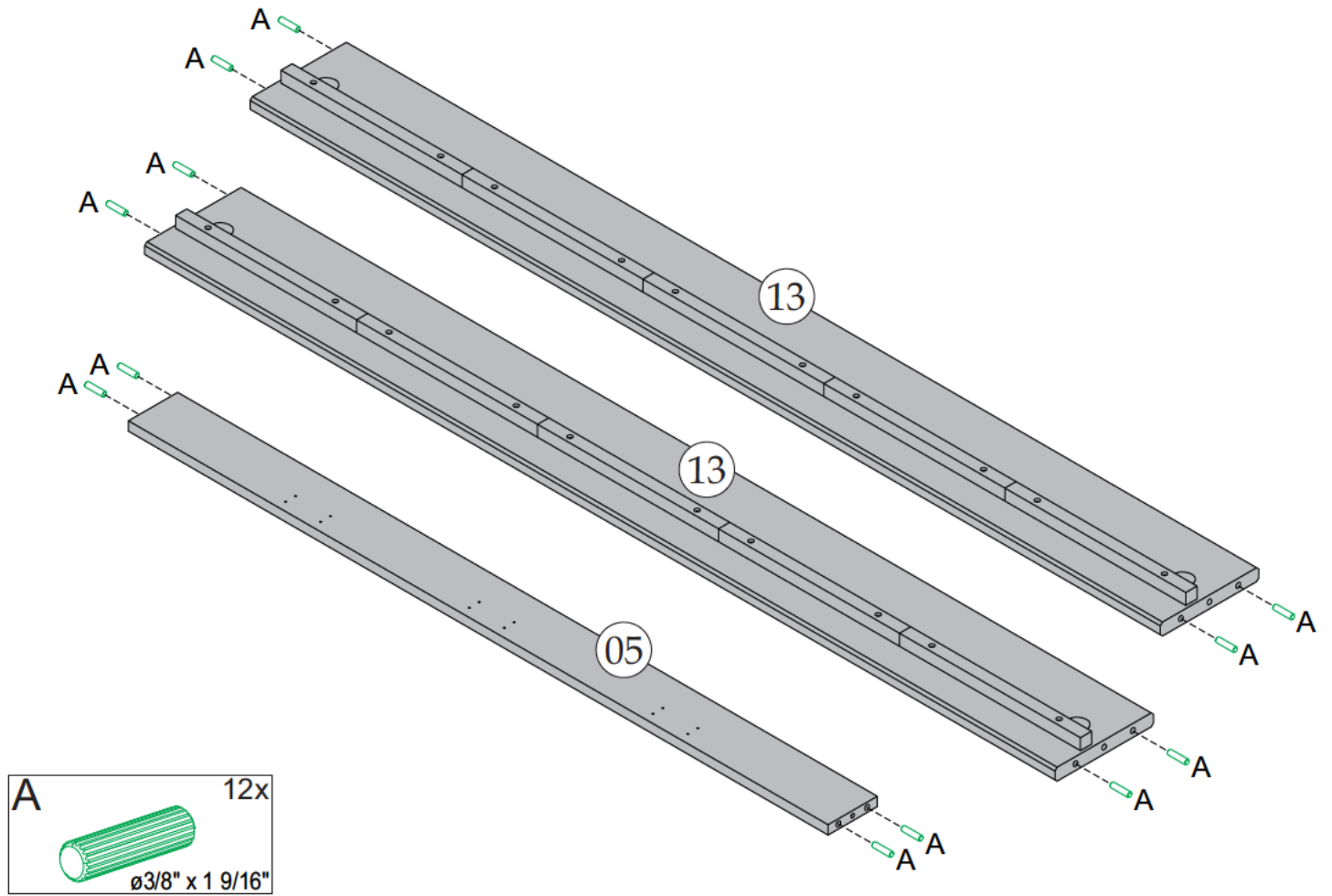
- * Read and observe carefully all the assembly instructions before beginning assembly.
- * The assembly of the product must be done on a clean and flat surface. We suggest to use the packaging to cover the floor to avoid damages.
- * The screws must be tightened periodically.
- * Avoid contact with sharp objects.
- * Avoid banging pieces together.

Hardware list for assembly.
Please confirm all hardware available before assembly

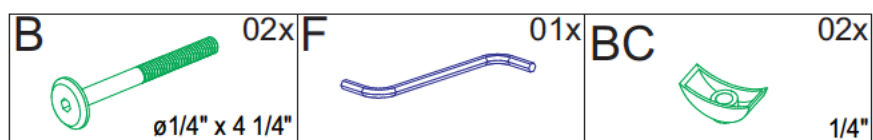
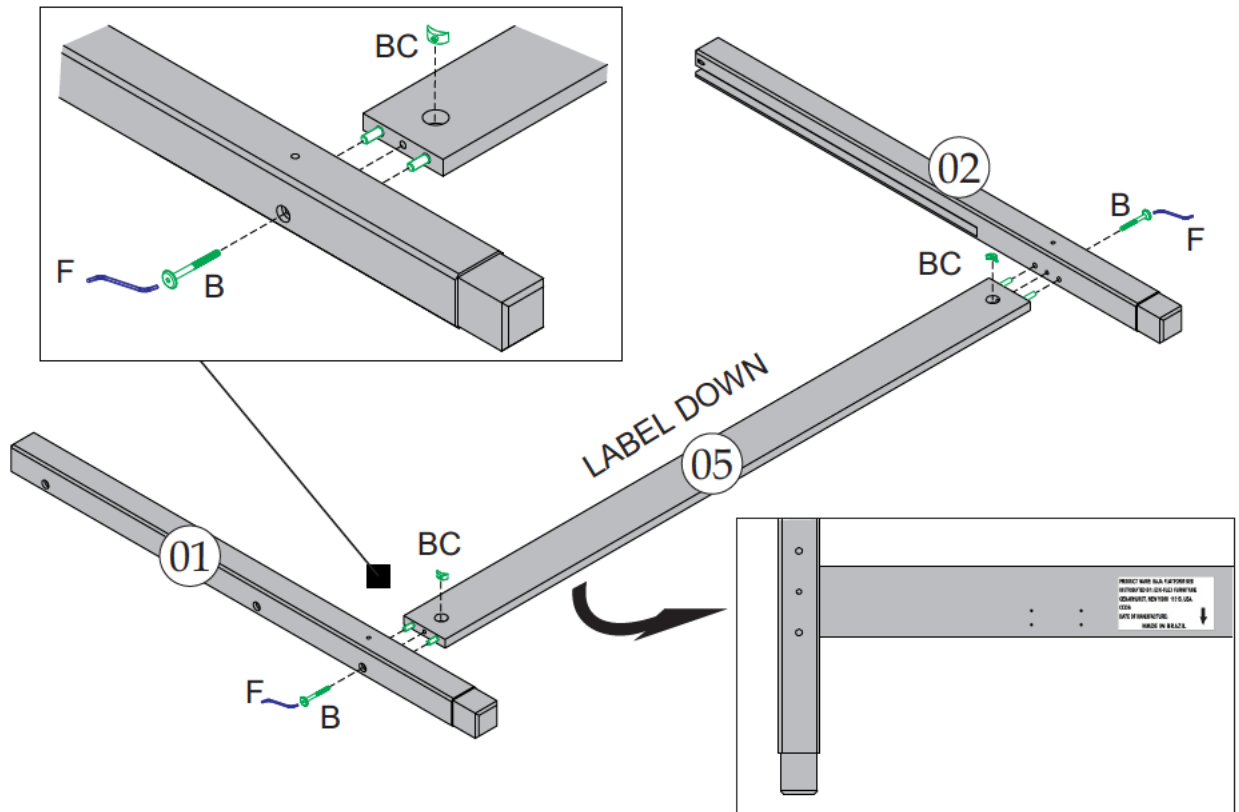
			SPARE		
A		$\varnothing 3/8" \times 1' 9/16"$	16x	+	02x
B		$\varnothing 1/4" \times 4' 1/4"$	10x	+	01x
F			01x	+	01x
Z		$\varnothing 1/8" \times 5/8"$	36x	+	02x
AP		$\varnothing 1/8" \times 1' 3/8"$	38x	+	02x
AR		$\varnothing 5/16" \times 3' 1/2"$	02x		
AS		$1/2" \times 1' 1/4"$	02x		
AT		$\varnothing 5/16"$	02x	+	01x
AU		$1/2"$	01x		
BC		$1/4"$	12x	+	02x
BF			06x		
BI		$\varnothing 1/4" \times 5"$	02x	+	01x
BJ		$\varnothing 3/4"$	10x	+	02x
BK		$3' 1/2"$	02x		



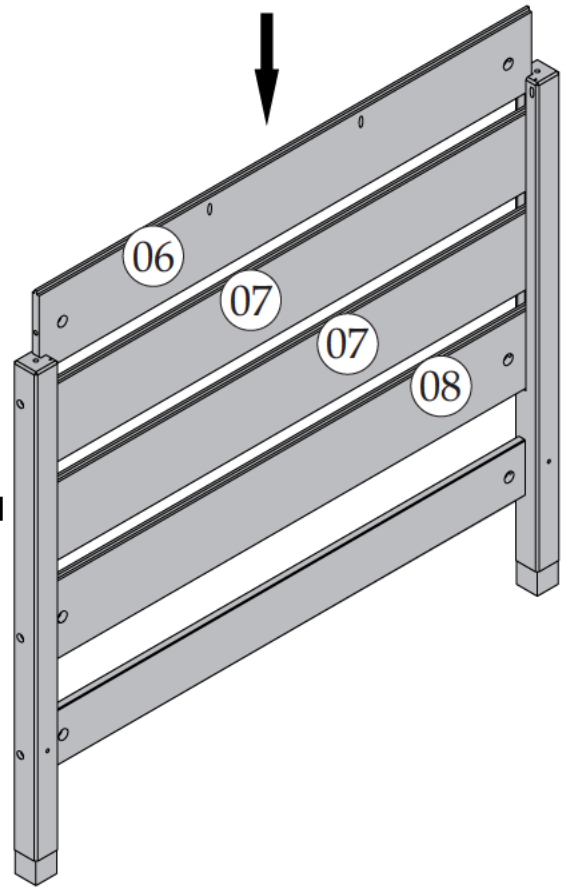
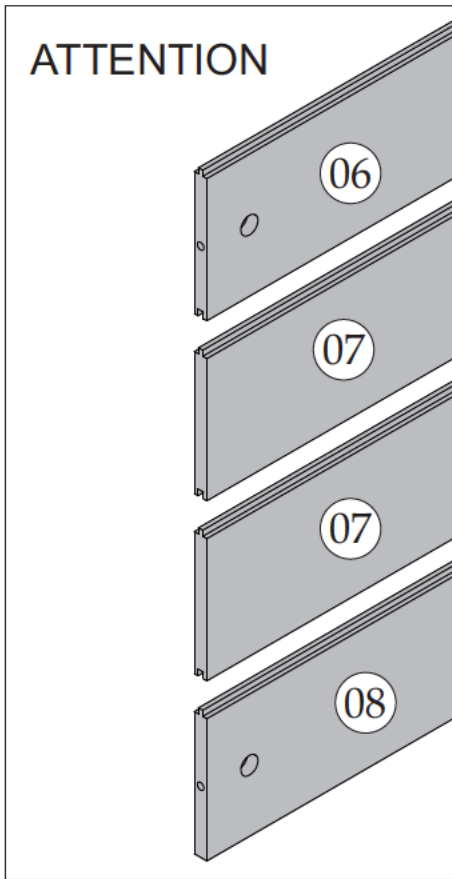
Step - 01



Step - 02

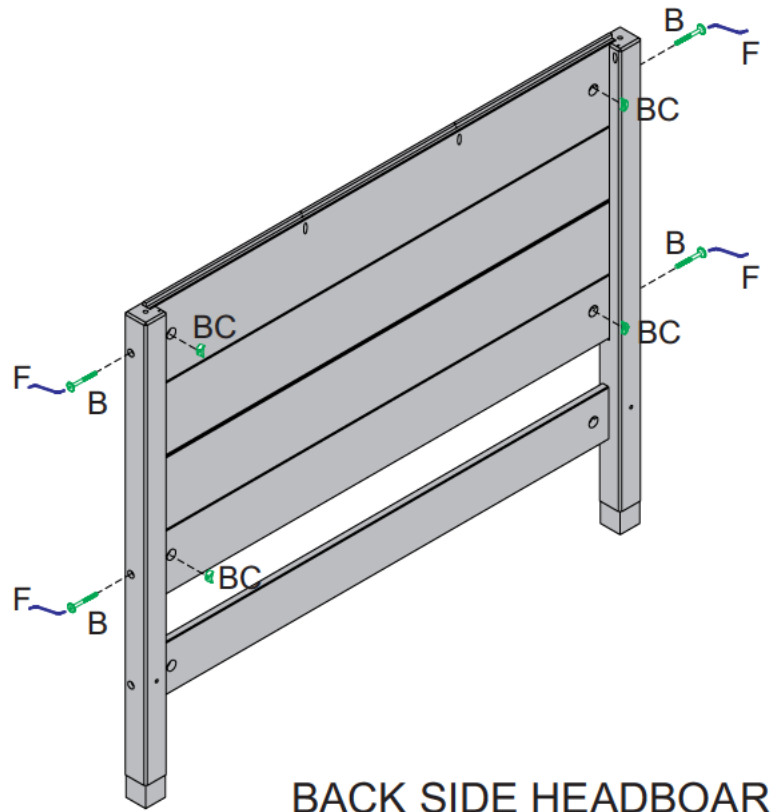
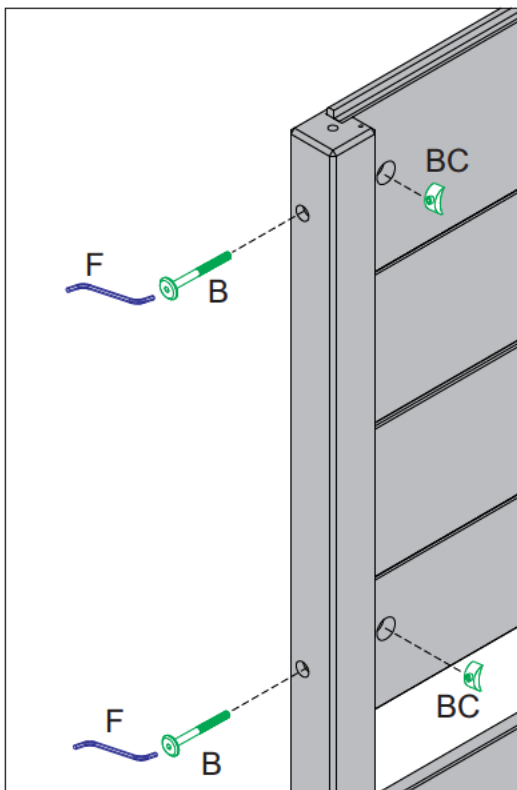


Step - 03

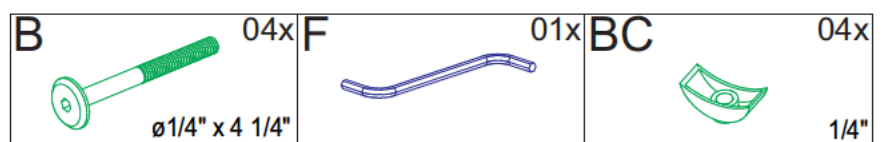


BACK SIDE HEADBOARD

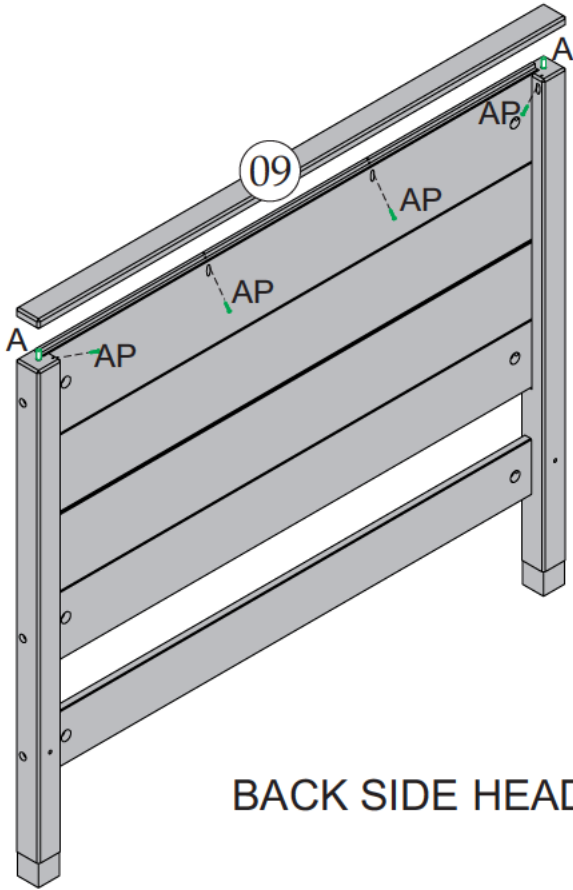
Step - 04



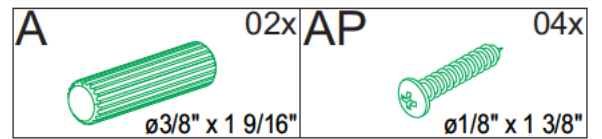
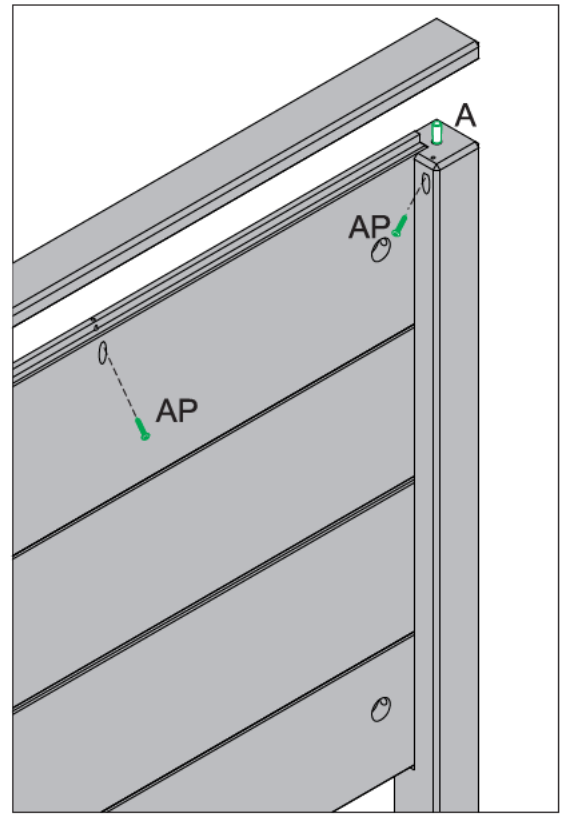
BACK SIDE HEADBOARD



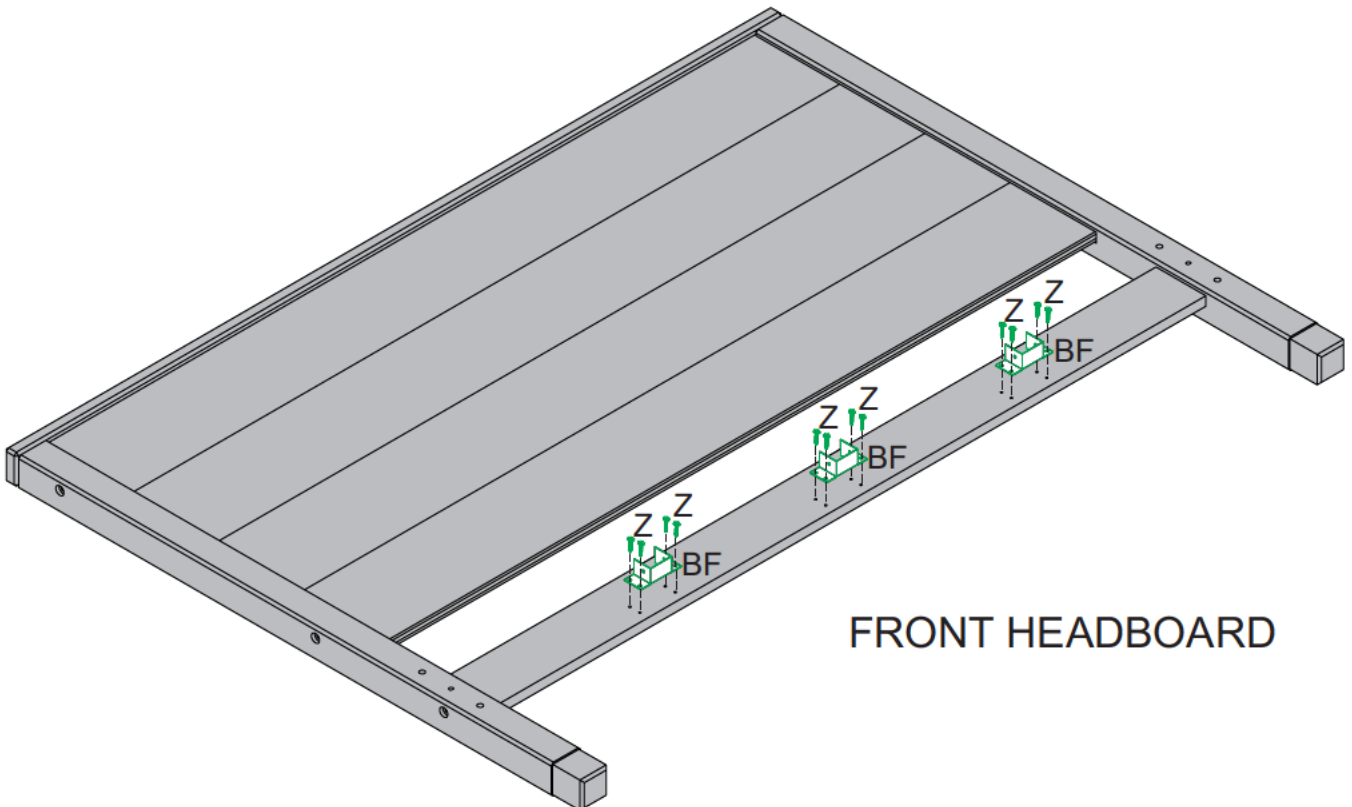
Step - 05



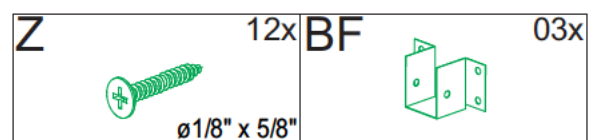
BACK SIDE HEADBOARD



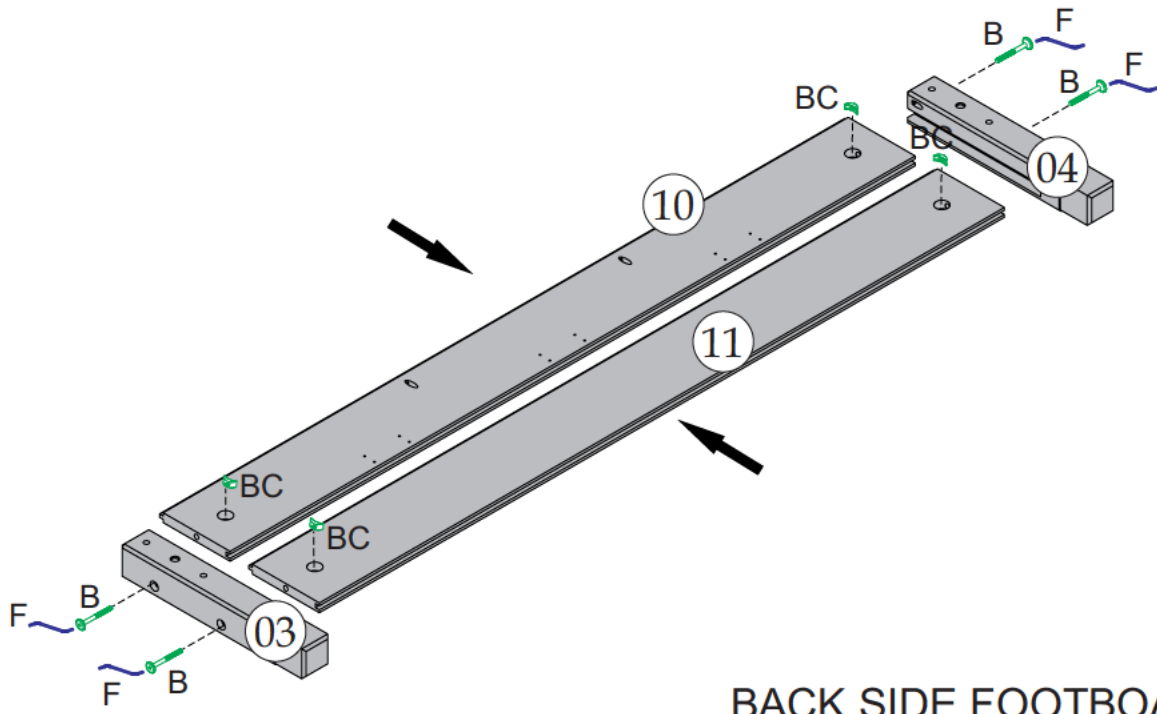
Step - 06






FRONT HEADBOARD



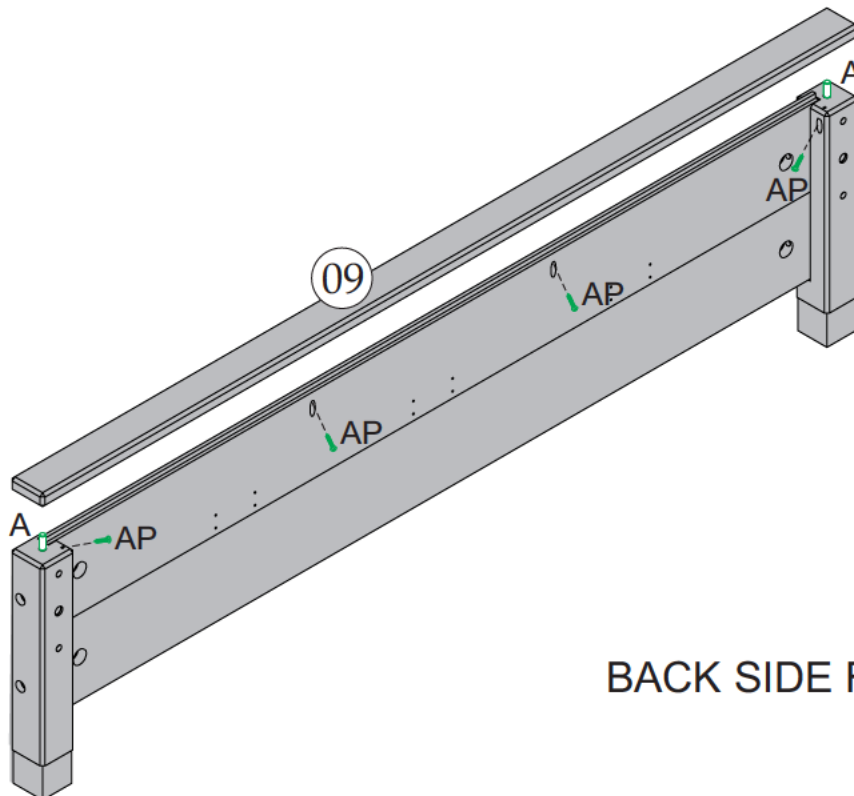
Step - 07



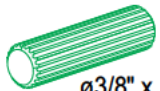

BACK SIDE FOOTBOARD

<p>B 04x  $\phi 1/4" \times 4 1/4"$</p>	<p>F 01x </p>	<p>BC 04x  $1/4"$</p>
---	--	---

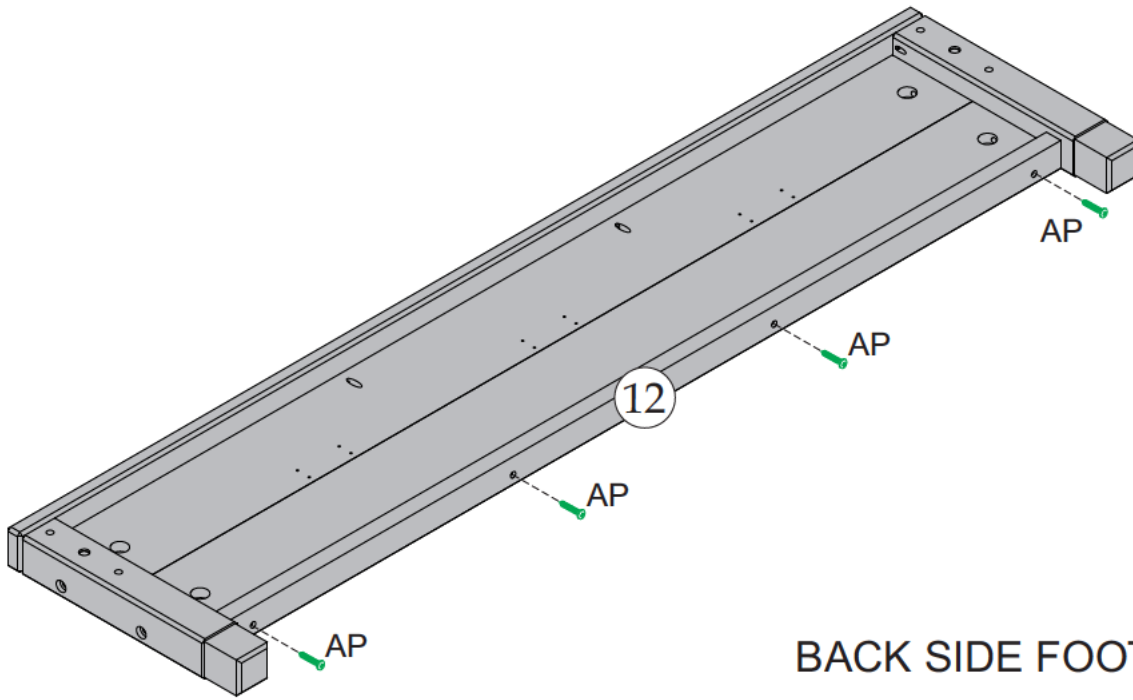
Step - 08



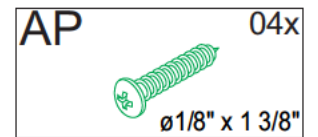
BACK SIDE FOOTBOARD

<p>A 02x  $\phi 3/8" \times 1 9/16"$</p>	<p>AP 04x  $\phi 1/8" \times 1 3/8"$</p>
---	---

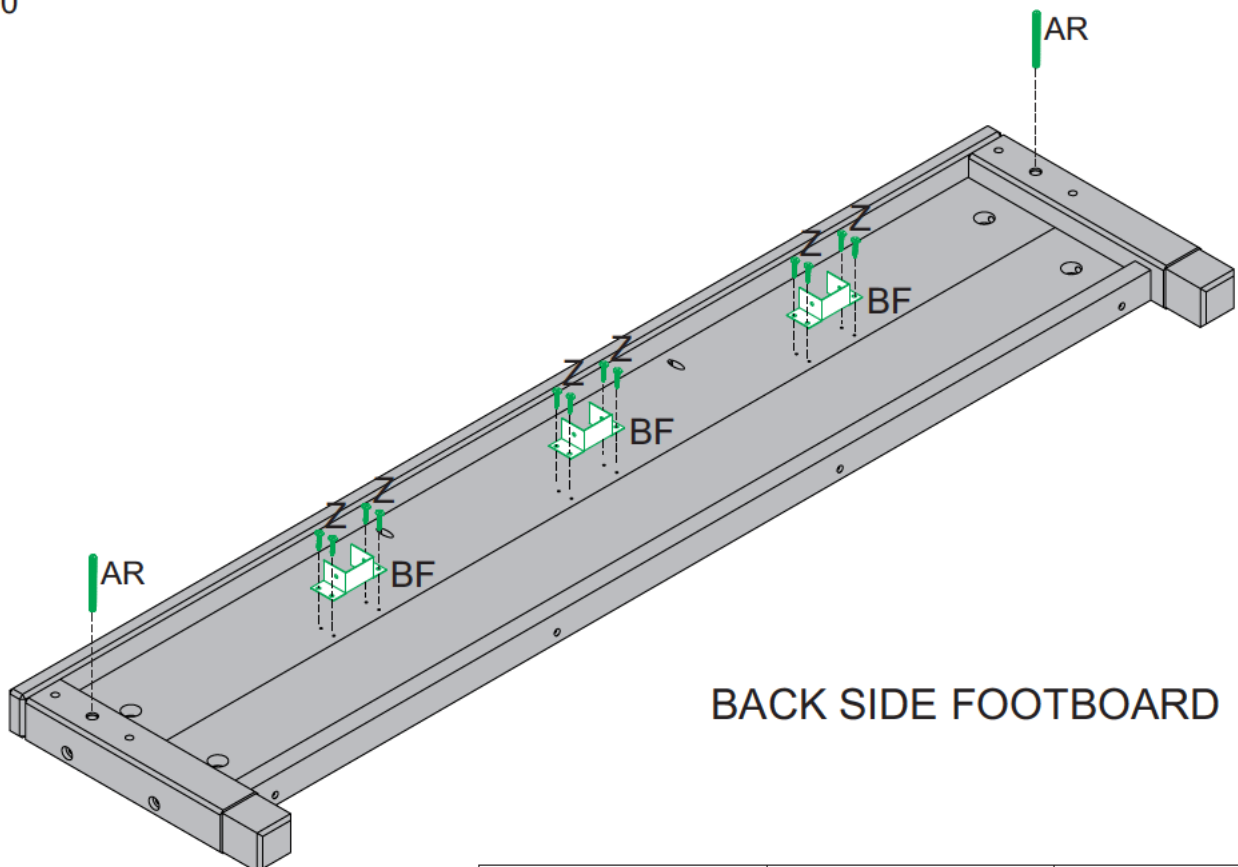
Step - 09



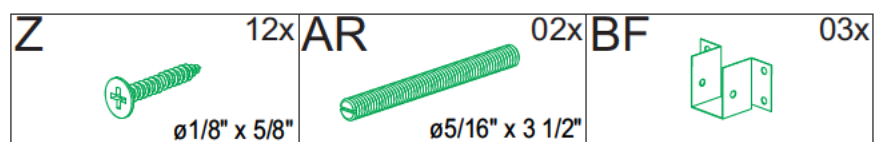
BACK SIDE FOOTBOARD



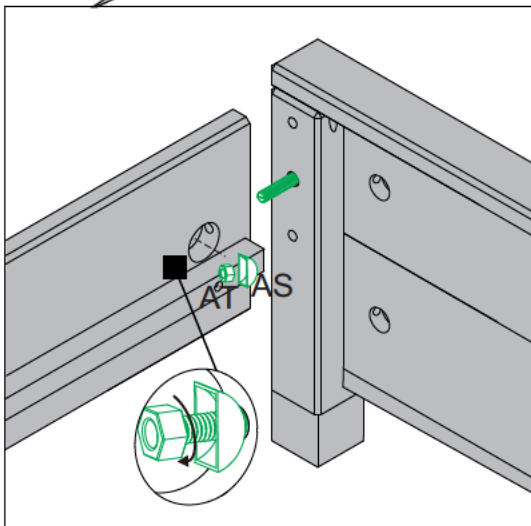
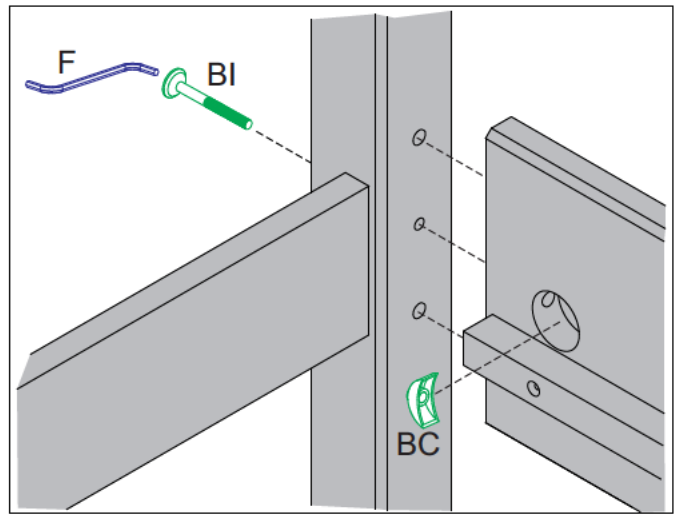
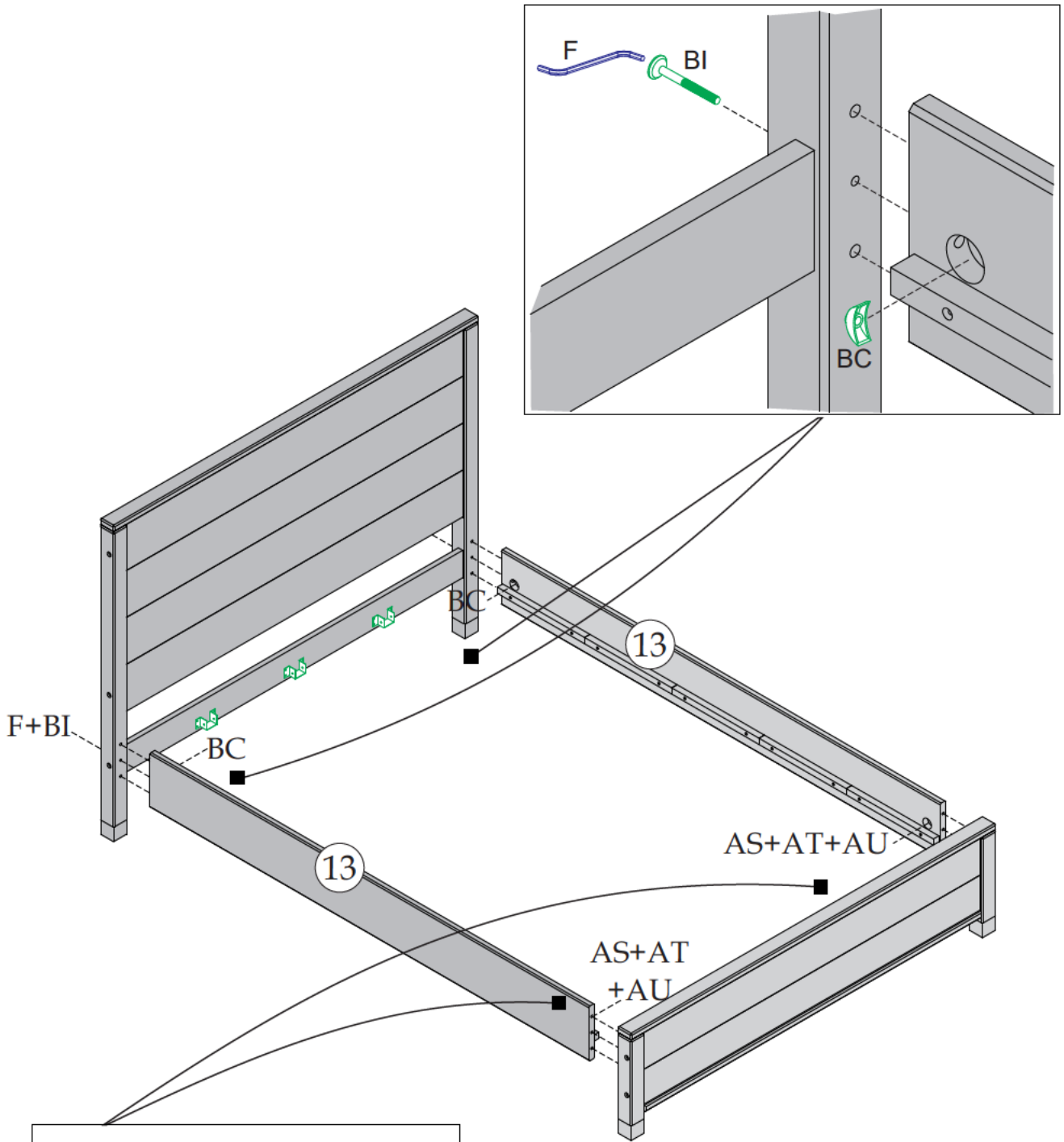
Step - 10



BACK SIDE FOOTBOARD

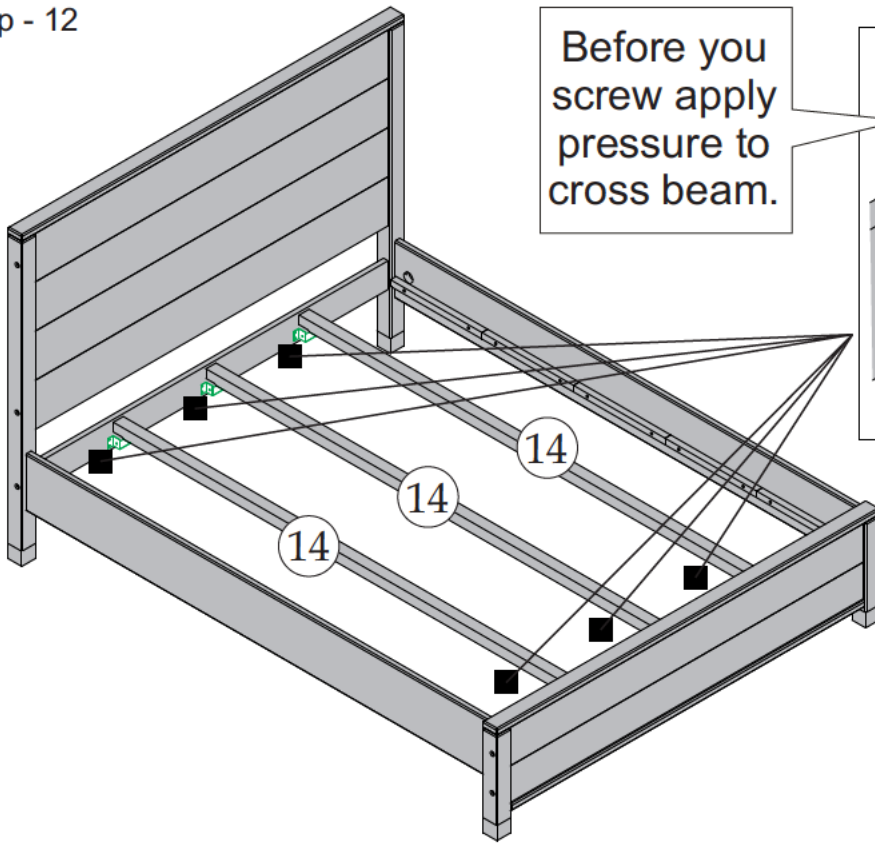


Step - 11

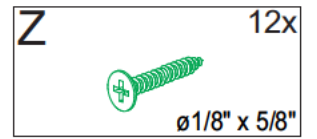
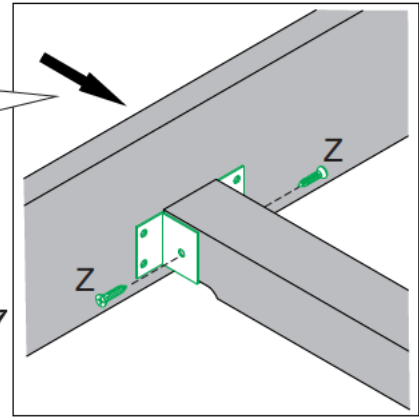


F	01x	AS	02x
			1/2" x 1 1/4"
AT	02x	AU	01x
			1/2"
BC	02x	BI	02x
	1/4"		ø1/4" x 5"

Step - 12

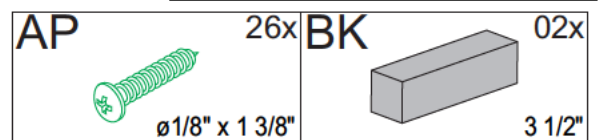
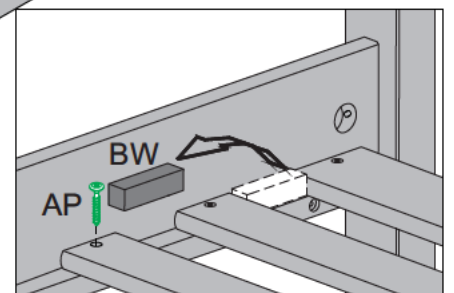
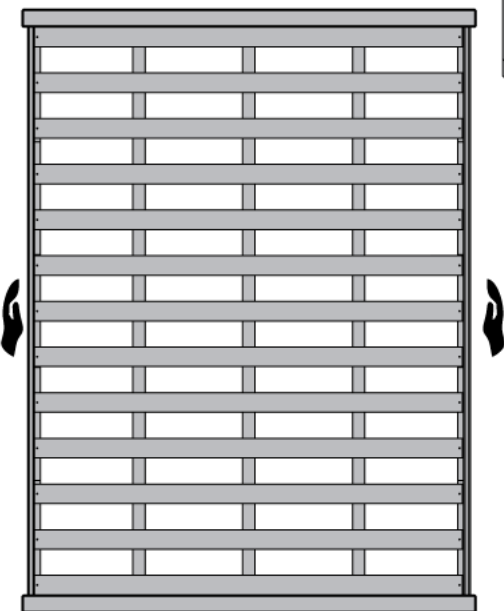
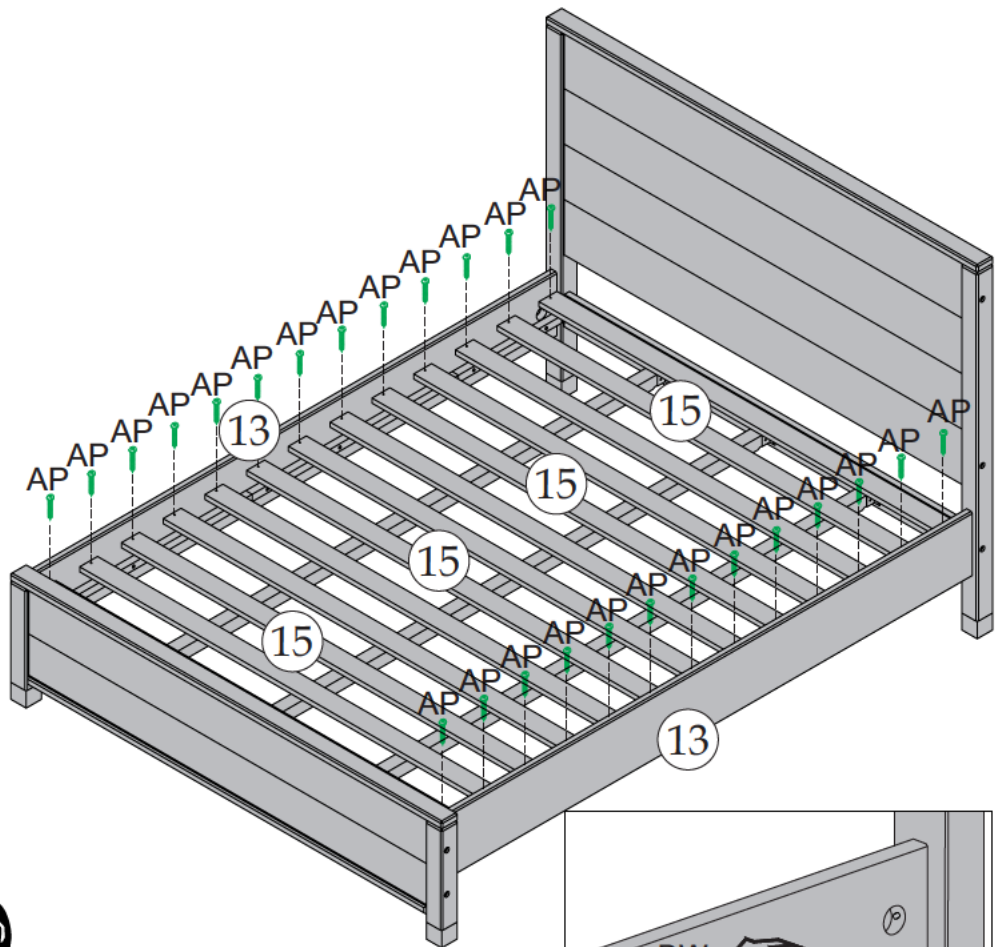


Before you screw apply pressure to cross beam.



Step - 13

Before you screw in the slats, apply pressure to center of cross beams (part. No. 13) to ensure slats (part. No. 15) fit evenly between cross beams.



Step - 14

