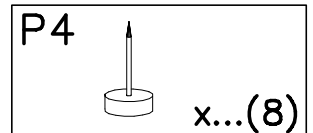
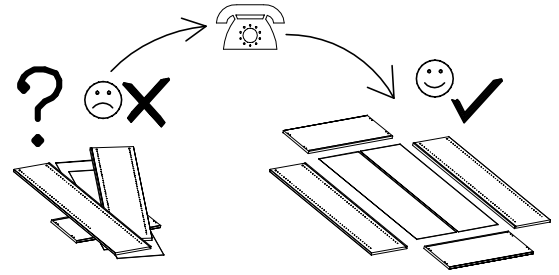
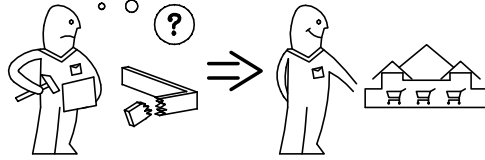
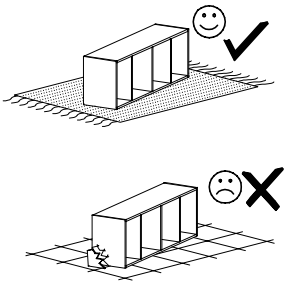
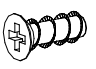

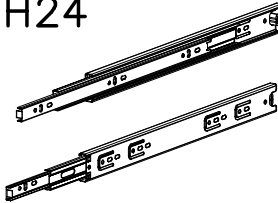
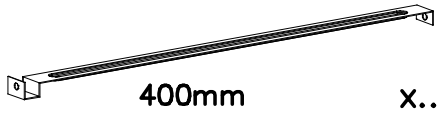
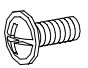

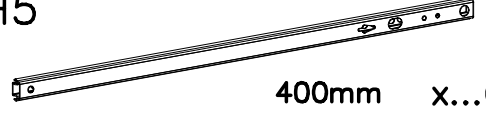
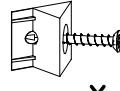




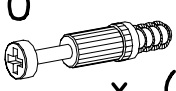

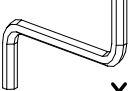
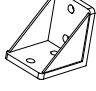

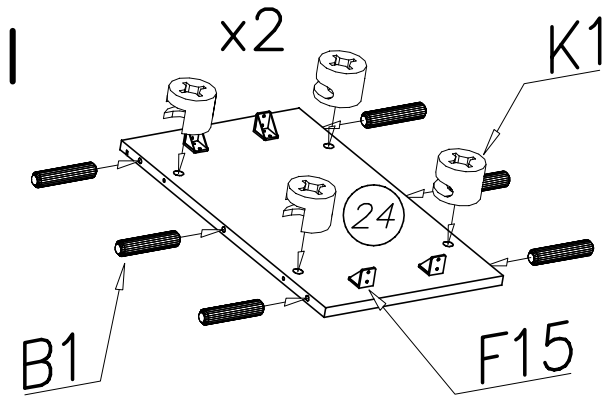
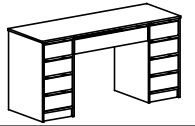


nr	L[mm]	B[mm]	T[mm]	Menge	Colli
1	1523	536	16	1	2/2
2	738	528	16	1	1/2
3	738	528	16	1	1/2
4	738	528	16	1	1/2
5	738	528	16	1	1/2
6	318	527	16	2	2/2
7	813	244	16	1	2/2
8	318	79	16	4	2/2
9	312	135	16	8	2/2
10	807	135	16	1	2/2

nr	L[mm]	B[mm]	T[mm]	Menge	Colli
11	285	100	12	8	1/2
12	763	100	12	1	1/2
13	295	401	3	8	2/2
14	773	401	3	1	2/2
15	649	330	3	2	2/2
16	400	100	12	8	1/2
17	400	100	12	8	1/2
18	400	100	12	1	1/2
19	400	100	12	1	1/2



<b>G20</b>  5x11 x...(40)	<b>K4</b>  ø12x10 x...(2)	<b>H24</b>  H35-400mm x...(1)	<b>M8</b>  400mm x...(1)
<b>N1</b>  M4x9 x...(16)	<b>A6</b>  ø7x40 x...(32)	<b>H5</b>  400mm x...(16)	<b>I1</b>  x...(12)
<b>K1</b>  ø15x12 x...(16)	<b>W1</b>  x...(5)	<b>A1</b>  ø7x50 x...(4)	<b>G34</b>  3,5x16 x...(34)
<b>K10</b>  x...(18)	<b>B1</b>  ø8x35 x...(24)	<b>W2</b>  x...(1)	<b>F15</b>  x...(8)
			<b>I7</b>  ø18 x...(16)



G34  
3,5x16 x...(8)

G20  
5x11 x...(16)

P4  
x...(4)

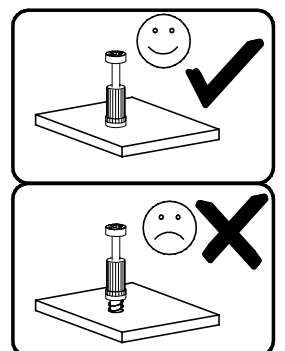
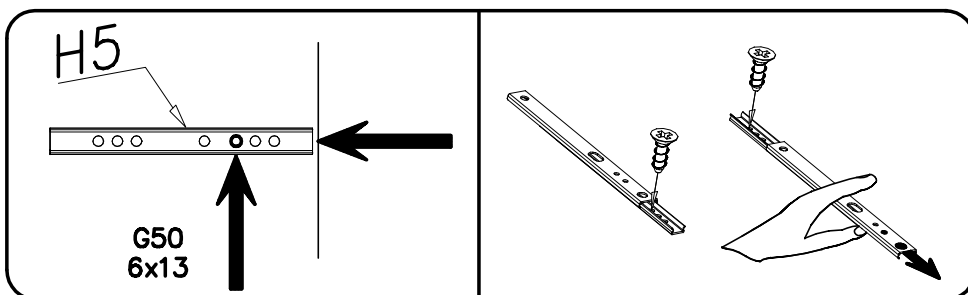
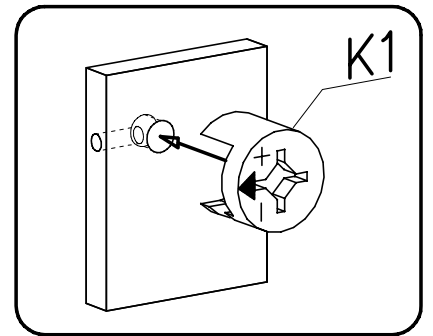
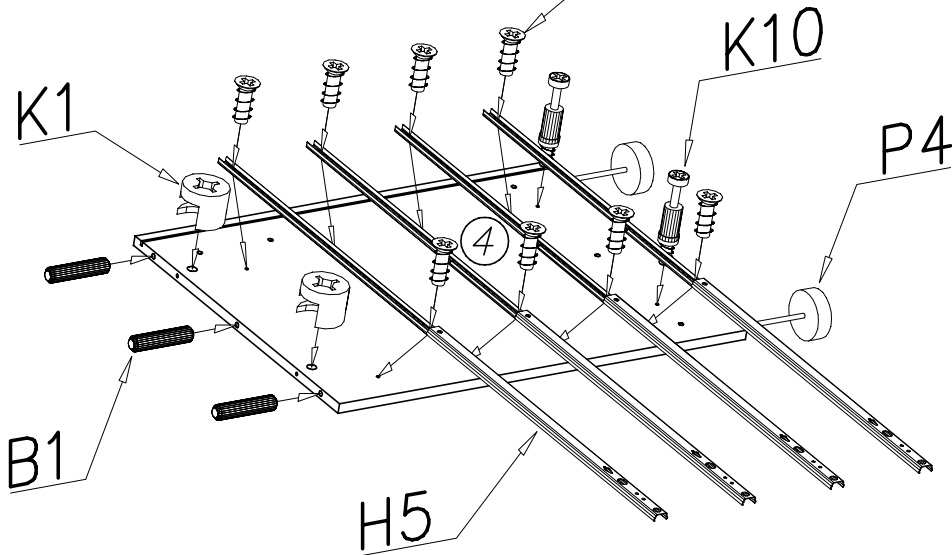
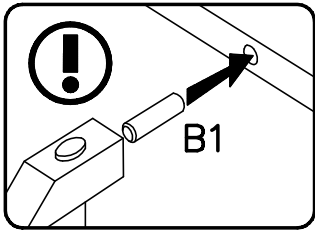
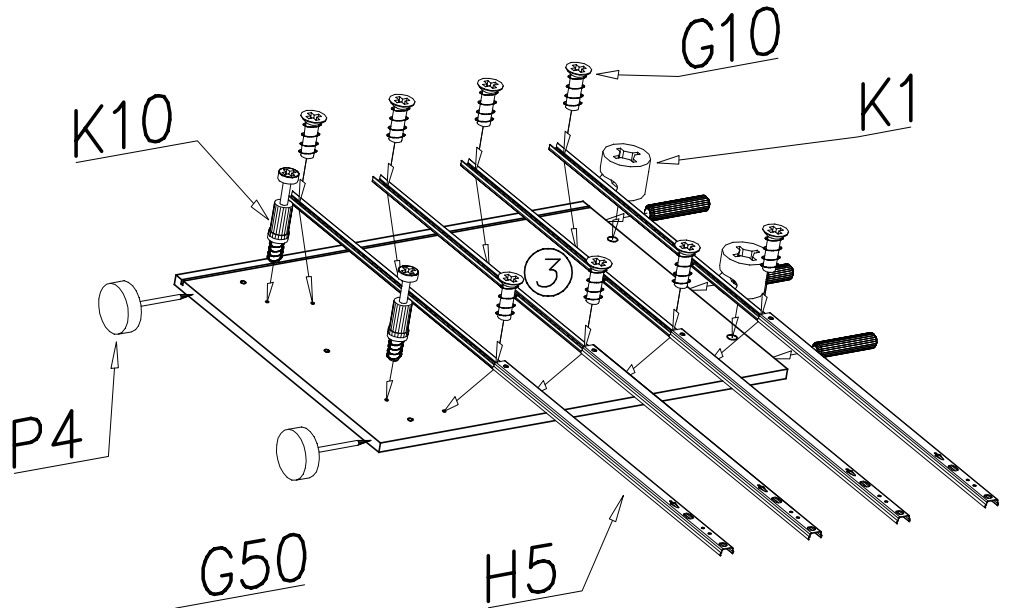
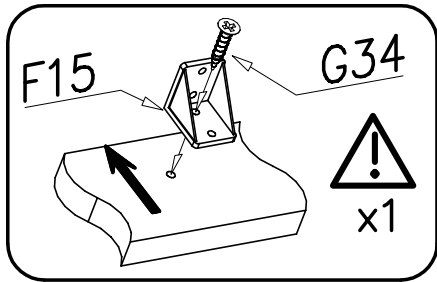
K10  
x...(4)

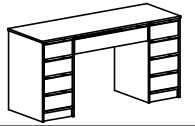
H5  
400mm x...(8)

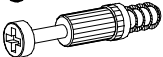
B1  
Ø8x35 x...(18)


K1  
Ø15x12 x...(12)


F15  
x...(8)








K10  x...(4)

K1  x...(8)

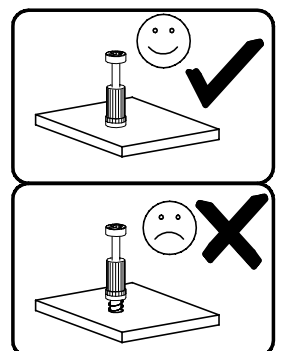
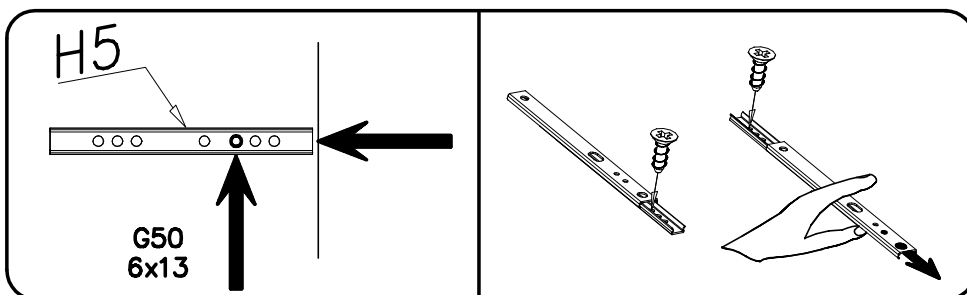
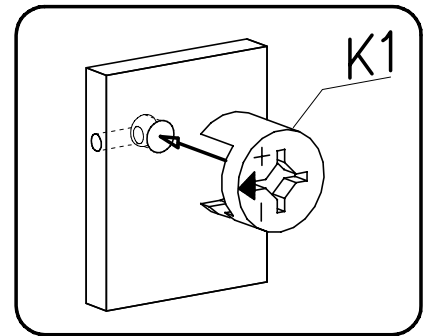
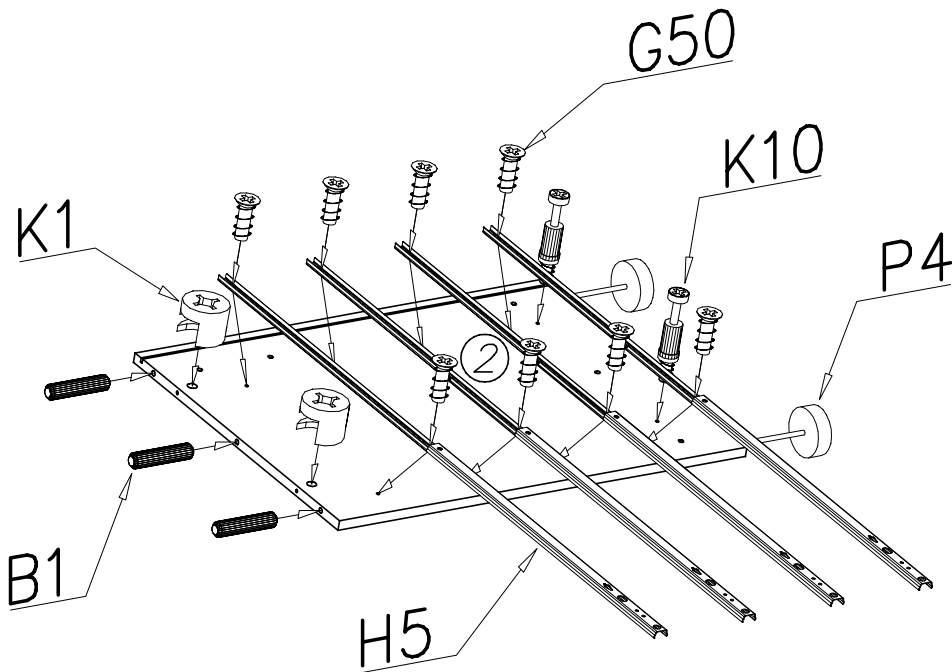
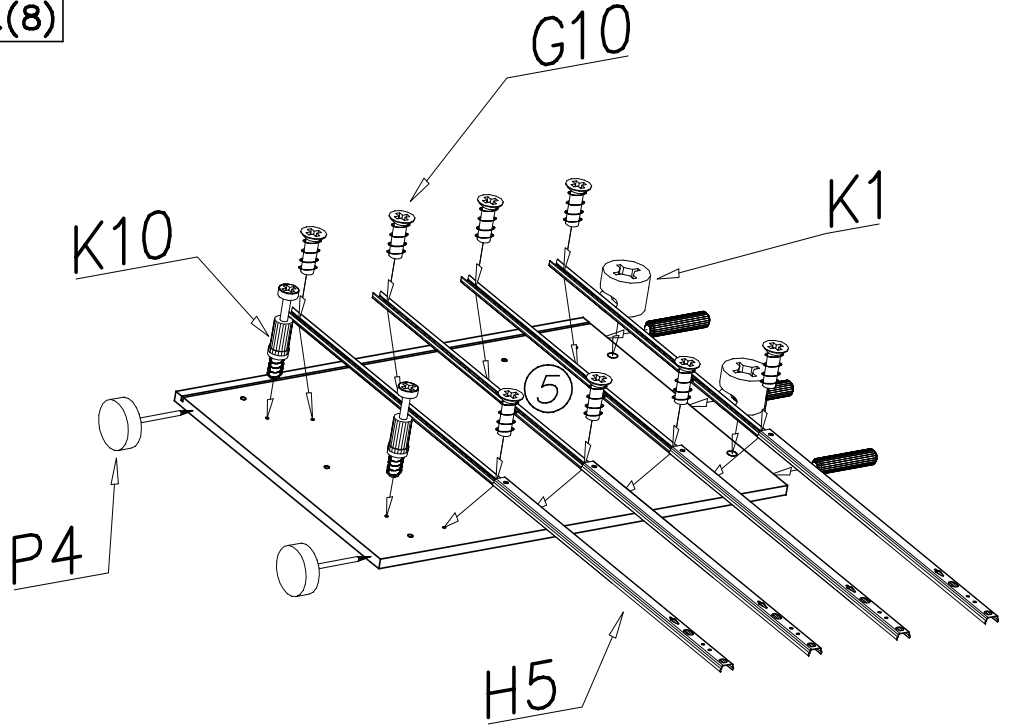
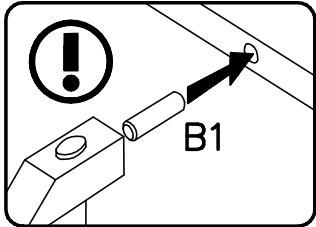
B1  x...(6)

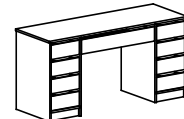
G20  5x11 x...(16)

P4  x...(4)

H5  400mm x...(8)

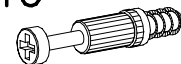
II



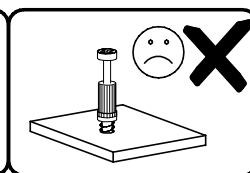
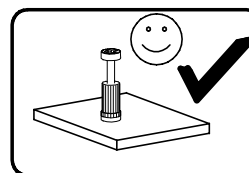
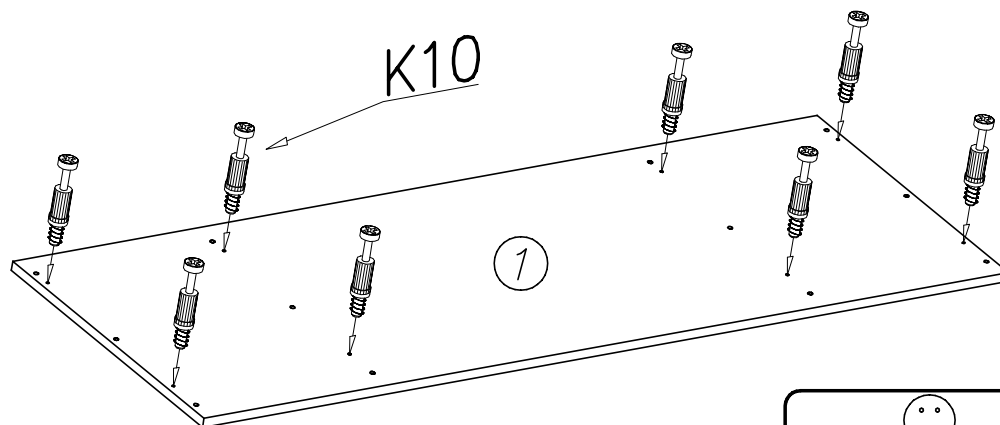


### III

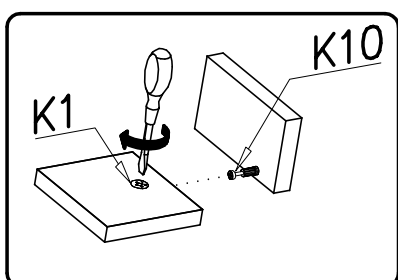
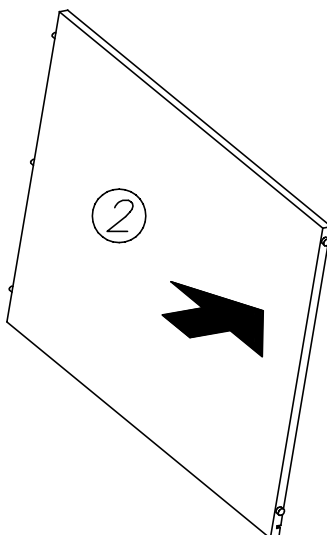
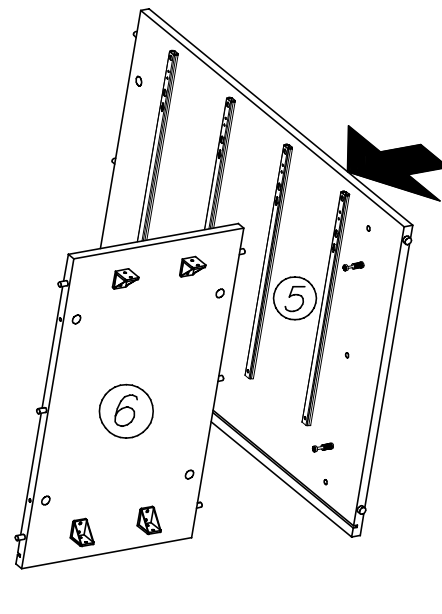
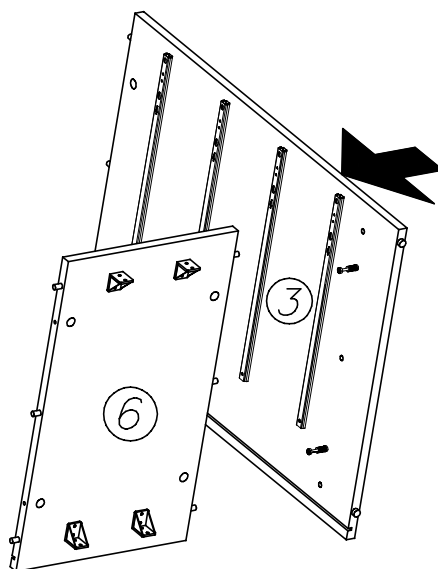
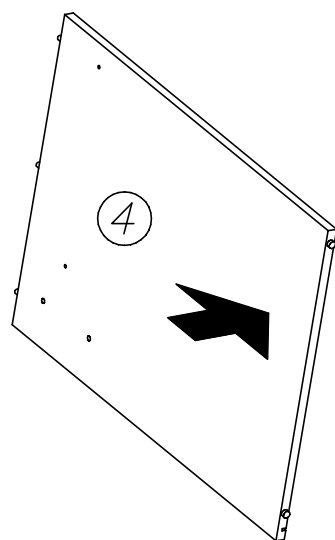
K10

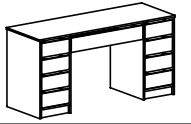


x...(8)



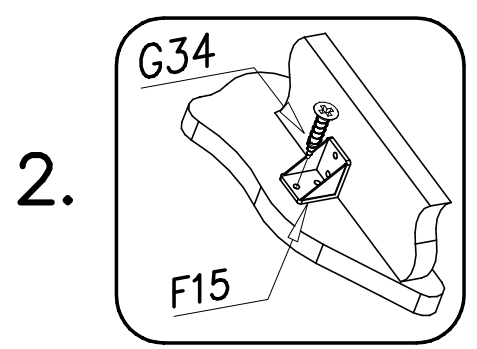
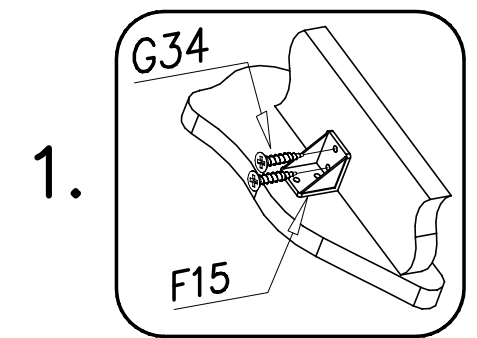
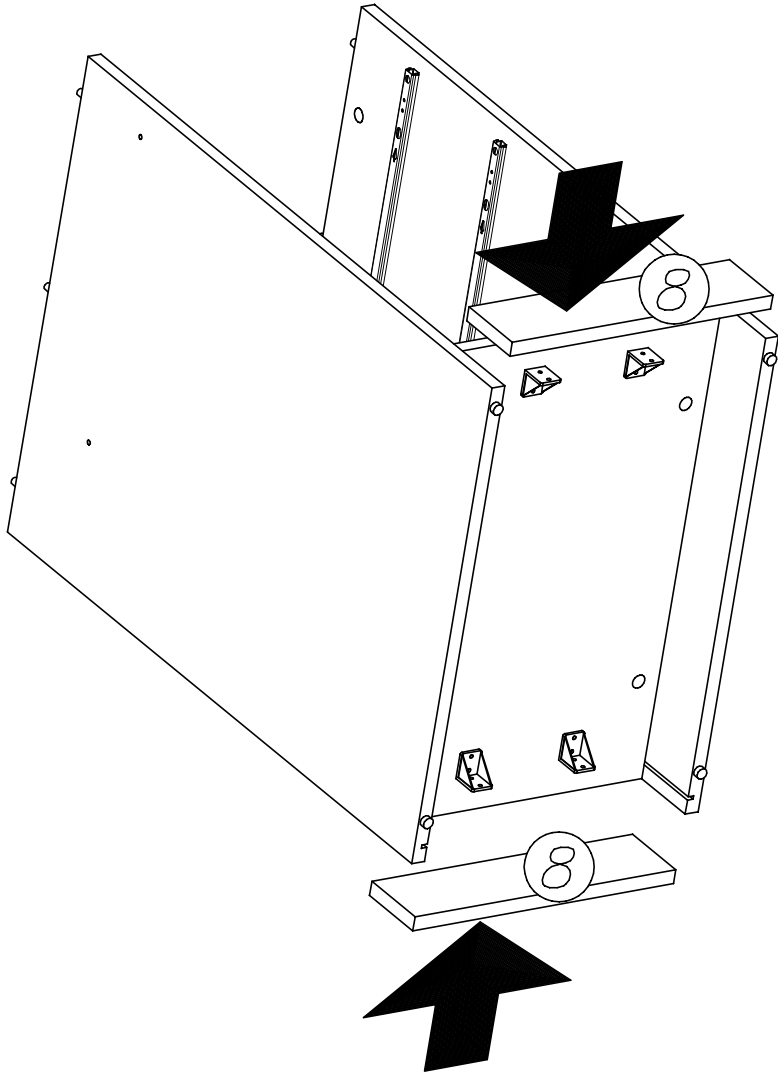
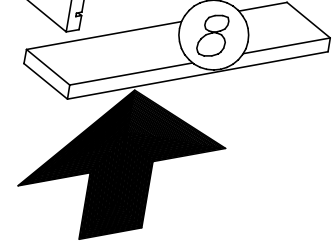
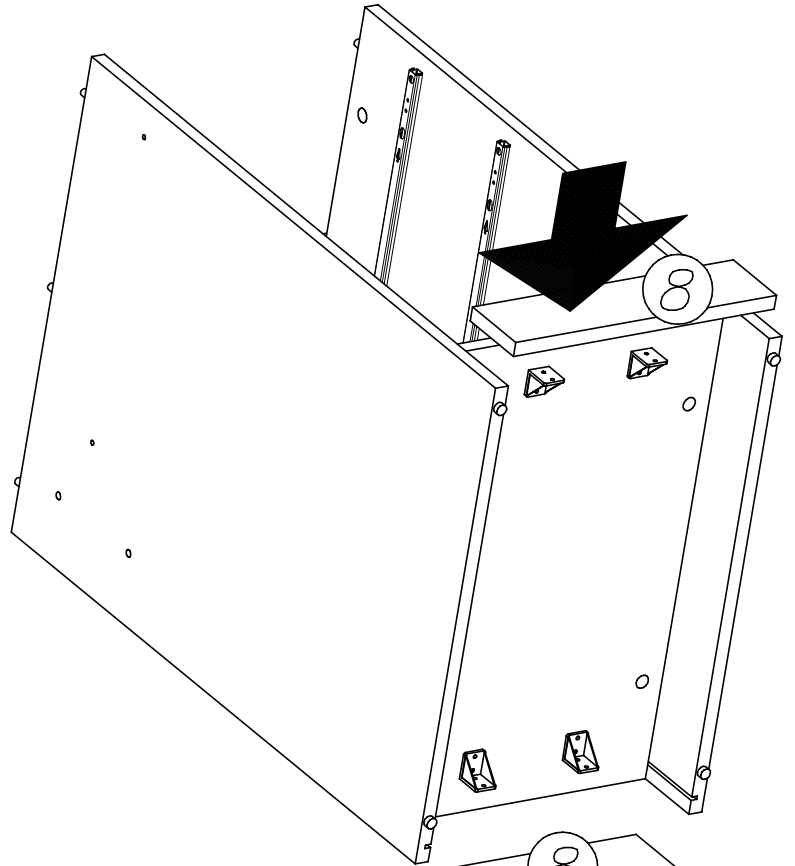
### IV

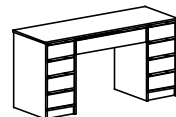





V

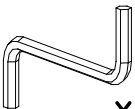
G34  
3,5x16 x...(24)

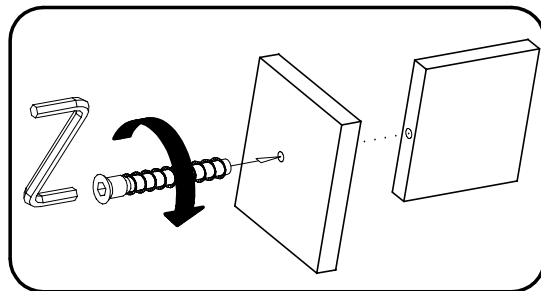
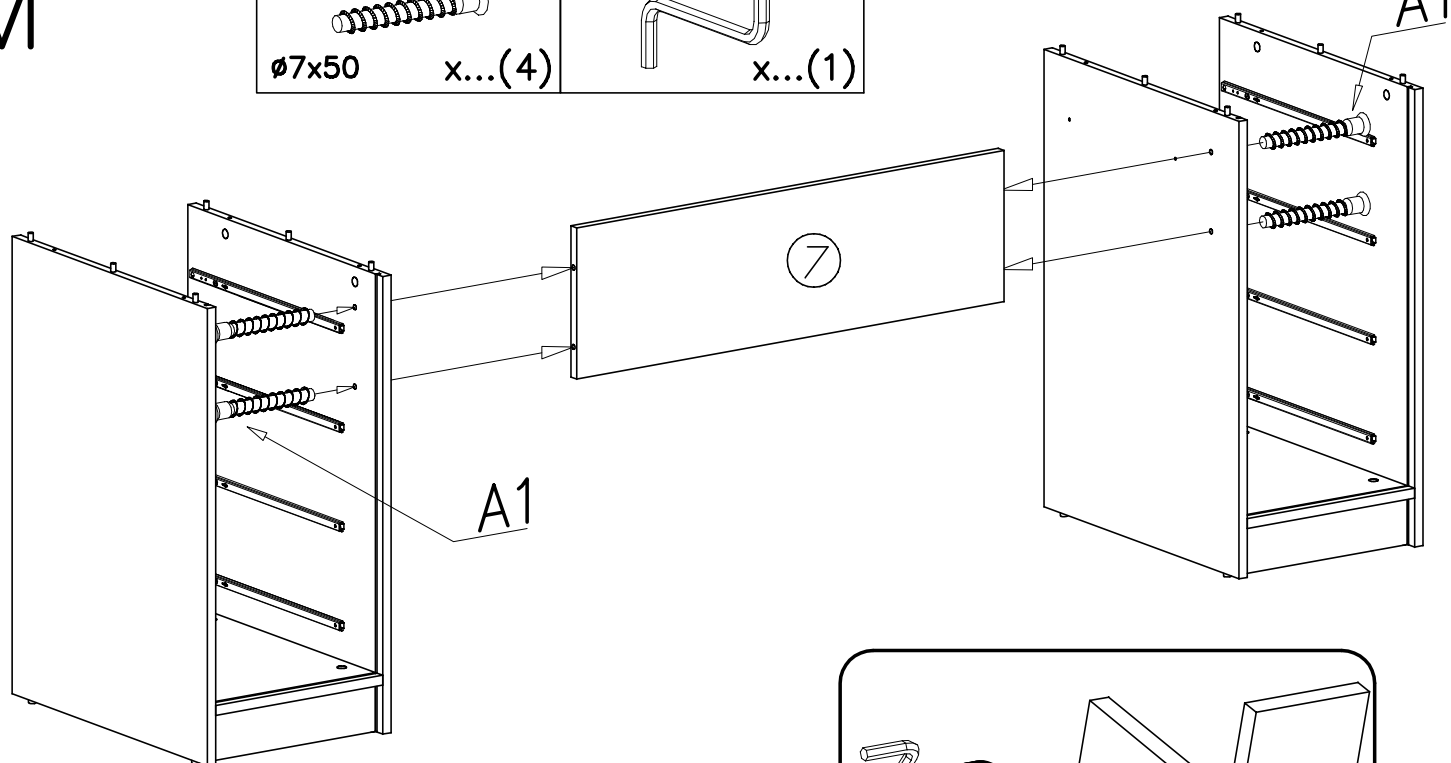




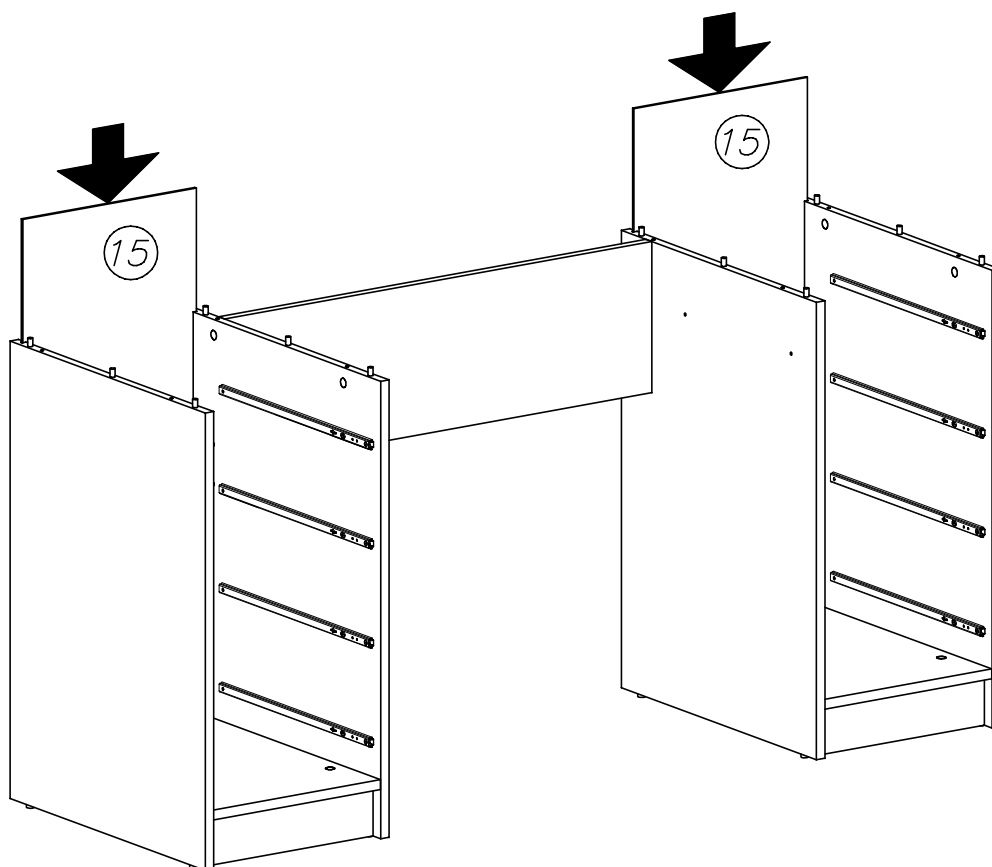
# VI

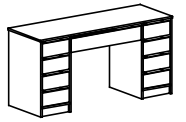
A1   
Ø7x50 x...(4)

W2   
x...(1)

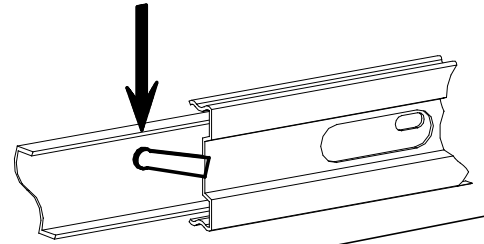
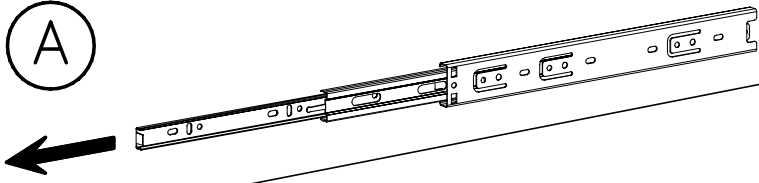


# VII

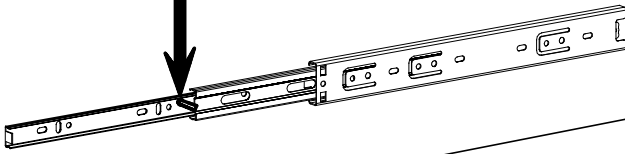




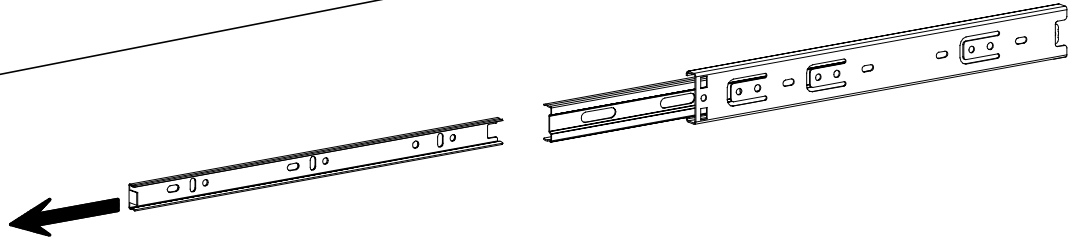
A



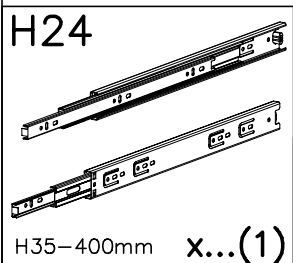
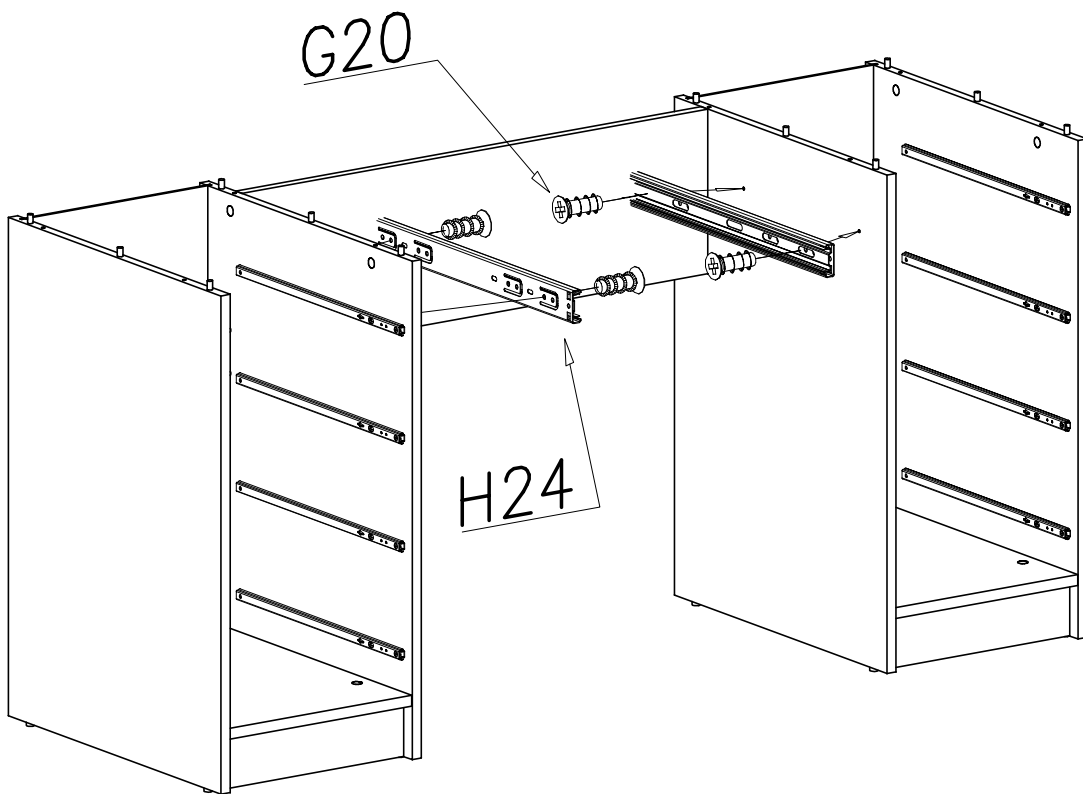
B



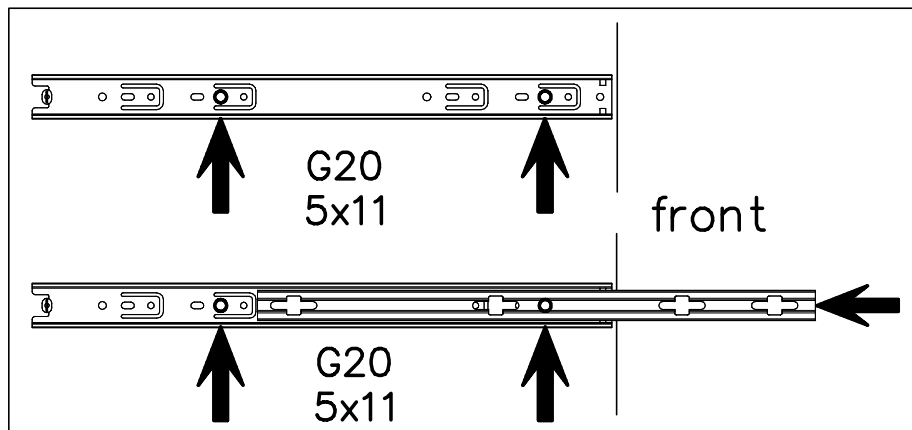
C

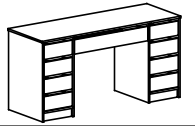


# VIII

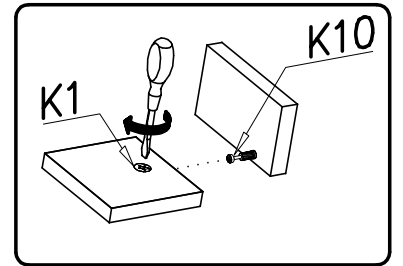
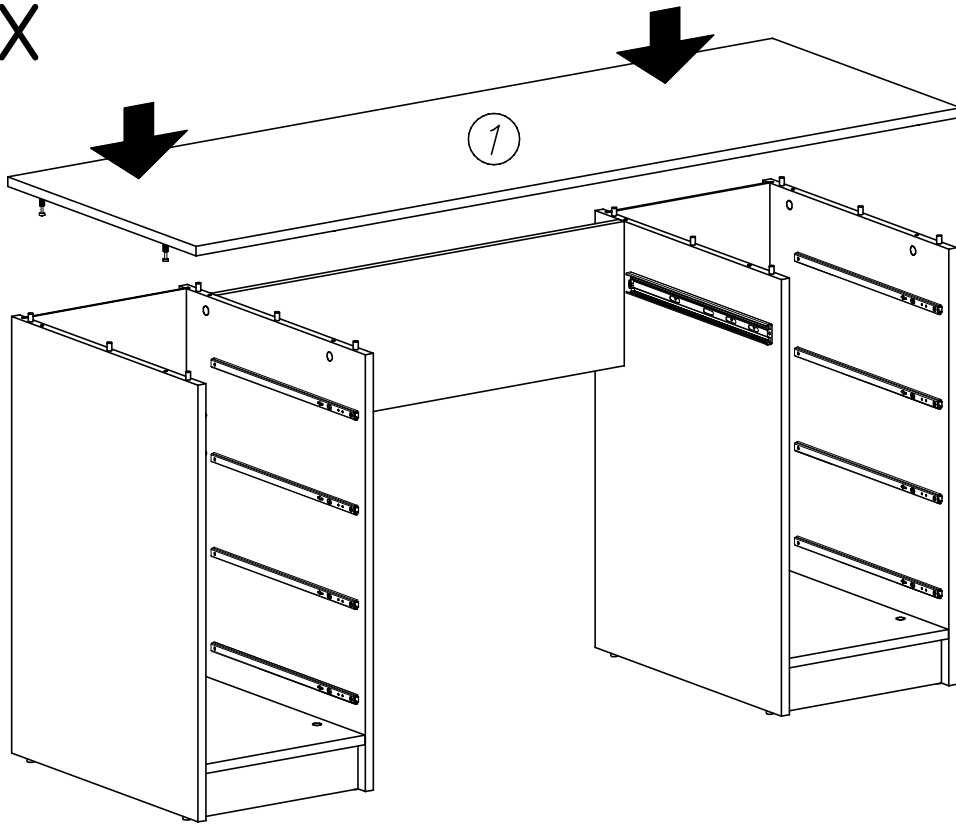


G20  
5x11 x...(40)

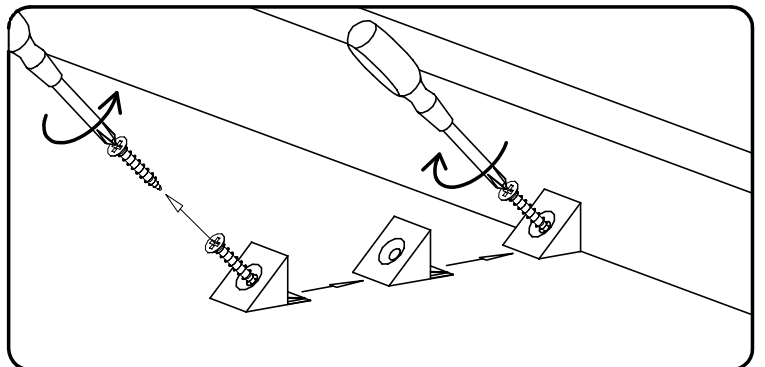
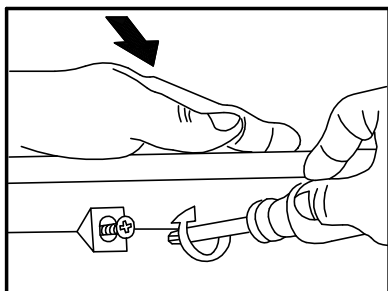
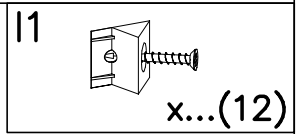
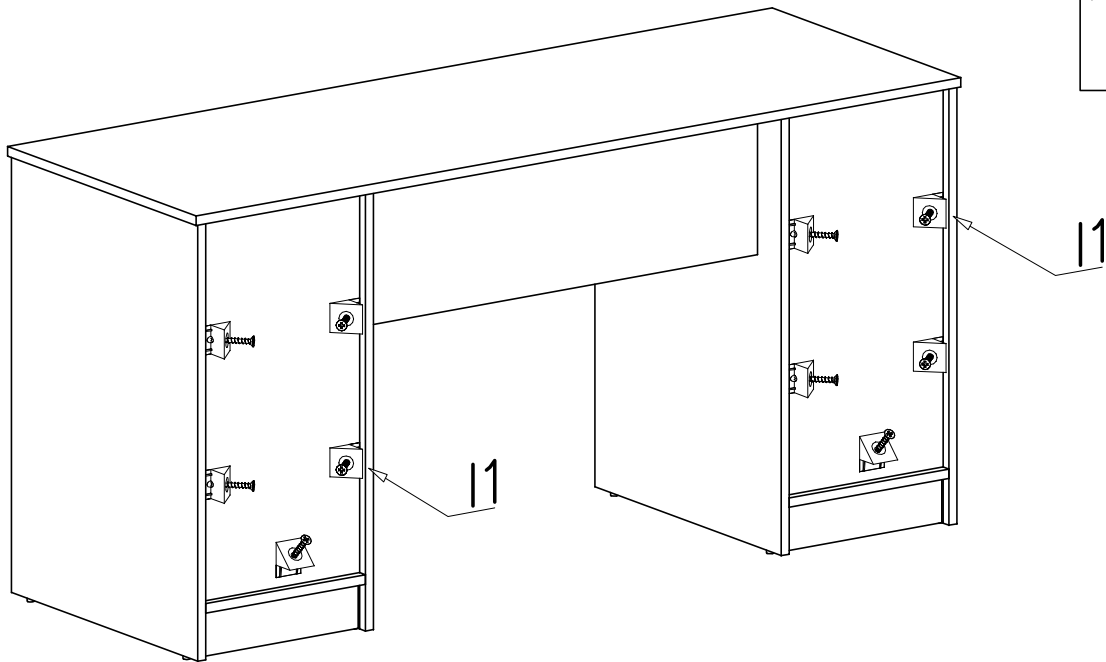


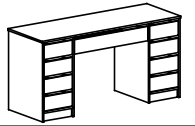


IX



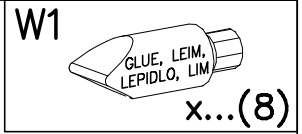
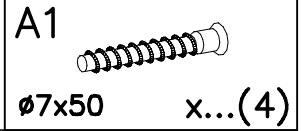
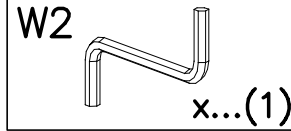
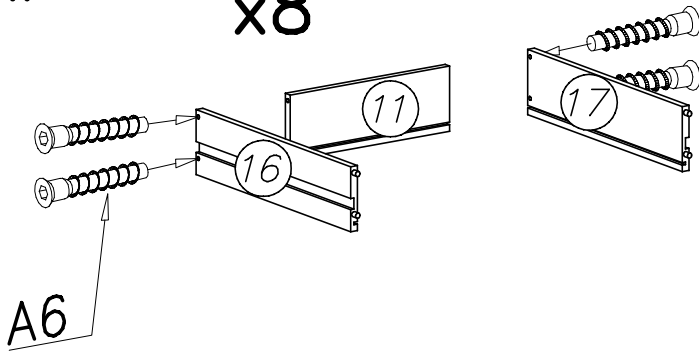
X



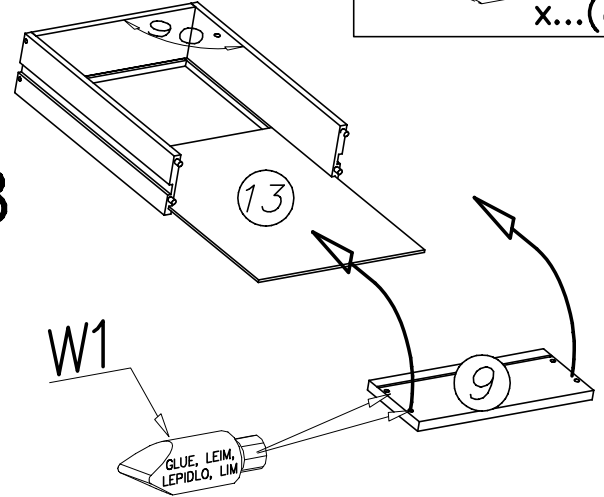


XI

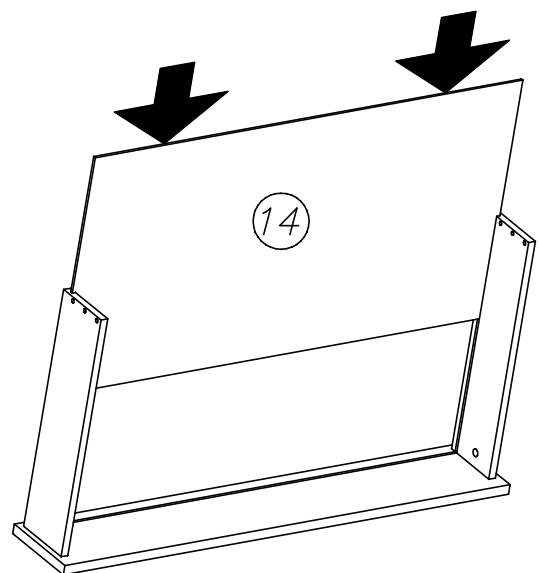
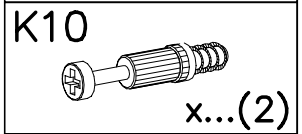
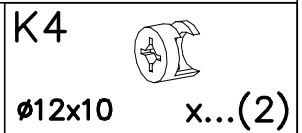
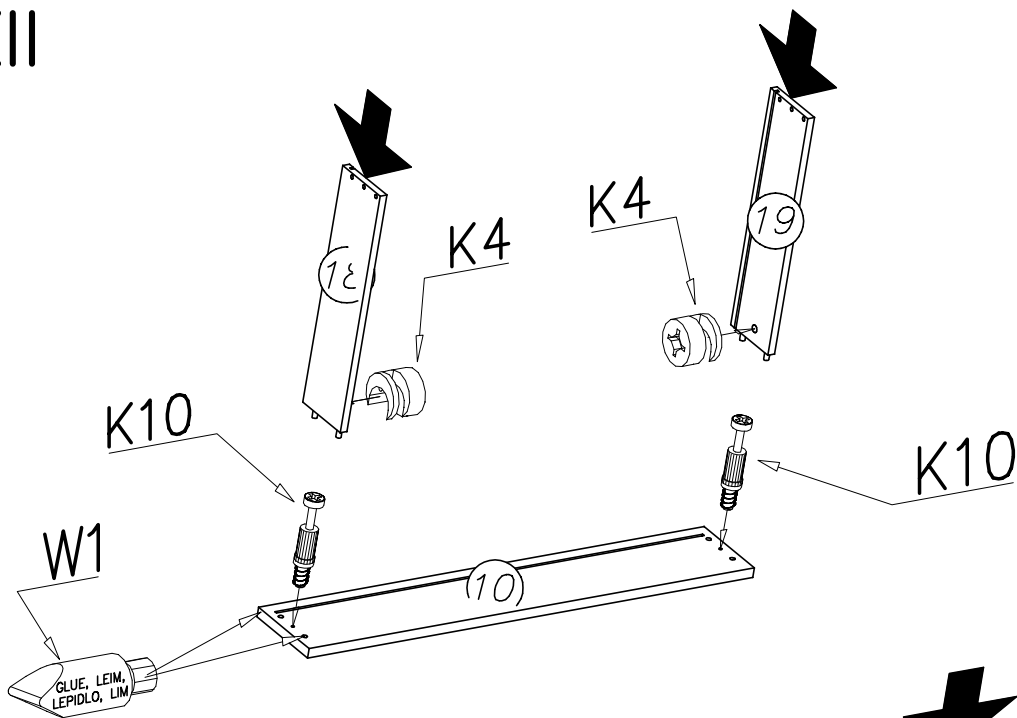
x8

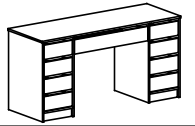


x8

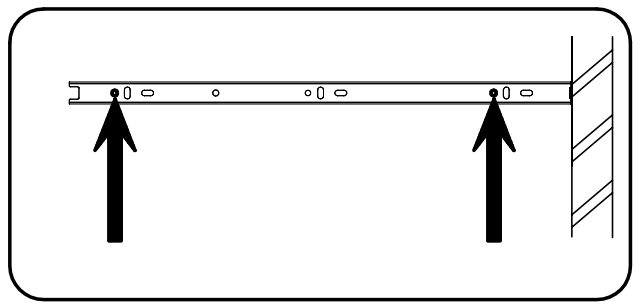
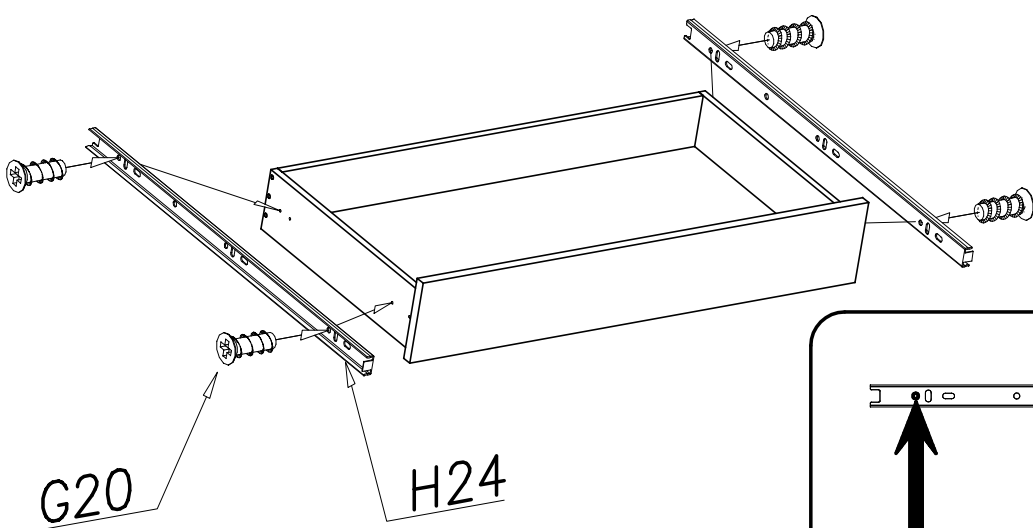
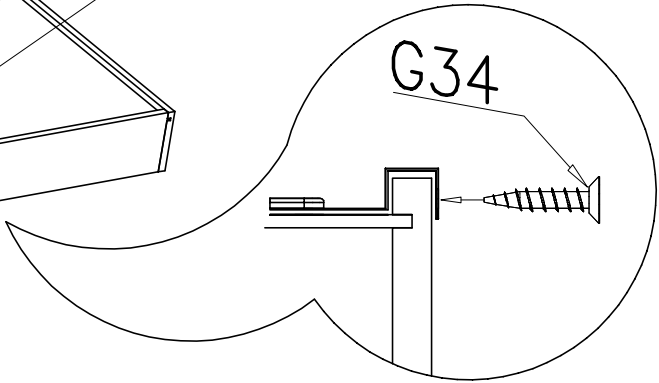
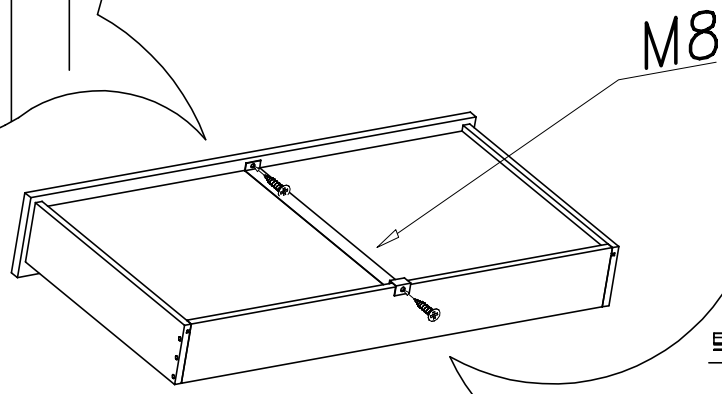
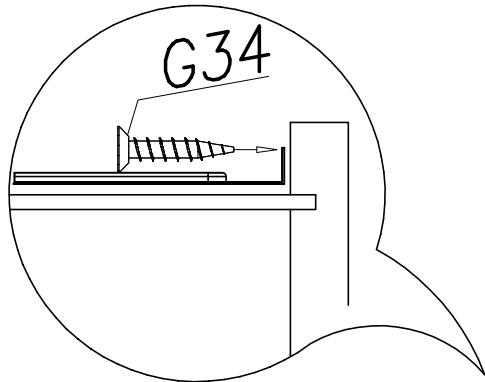
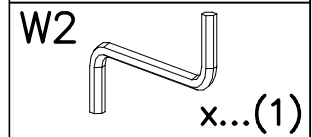
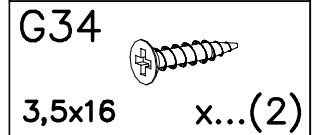
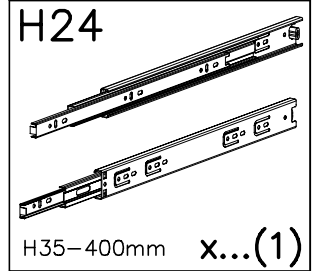
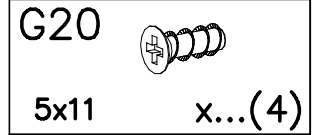
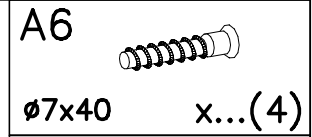
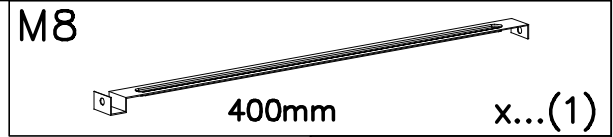
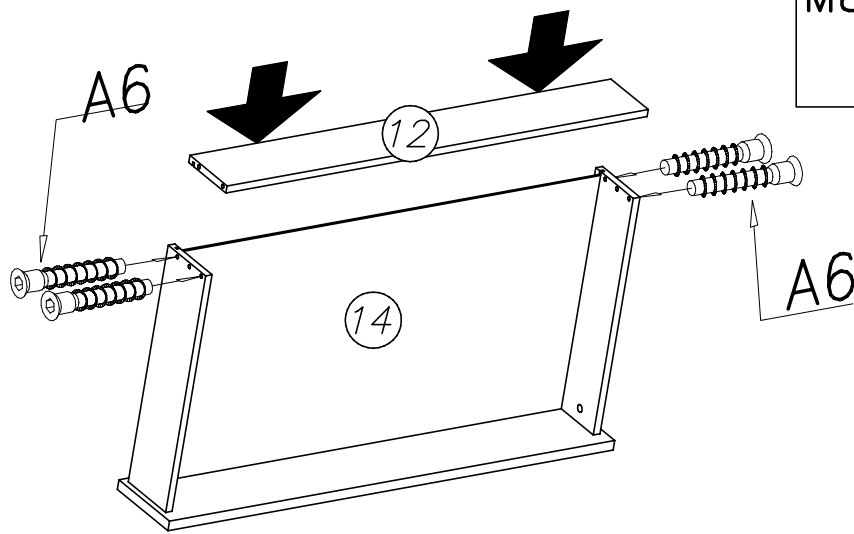


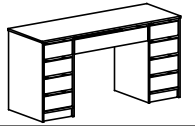
XII



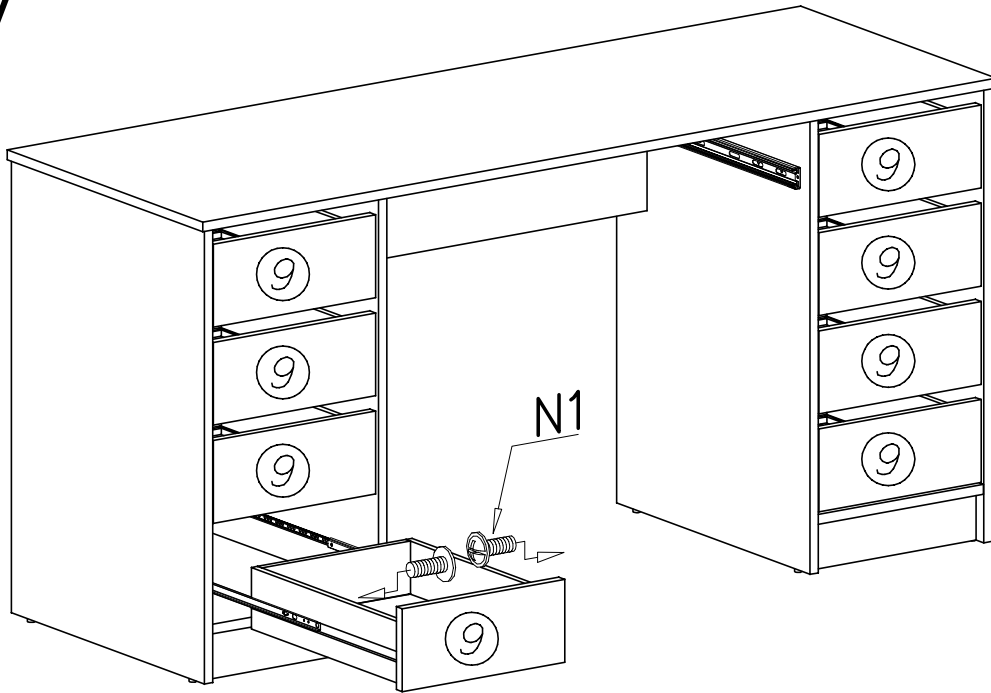


# XIII

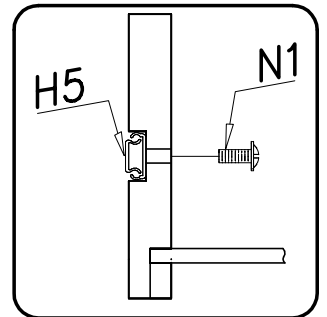




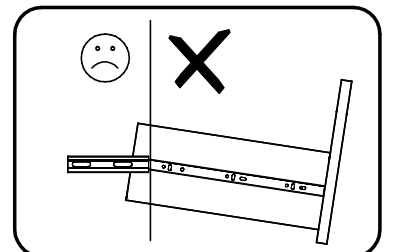
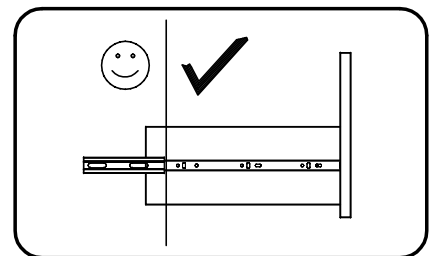
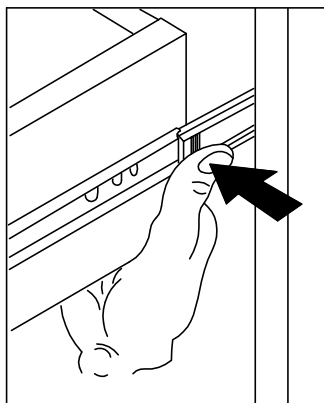
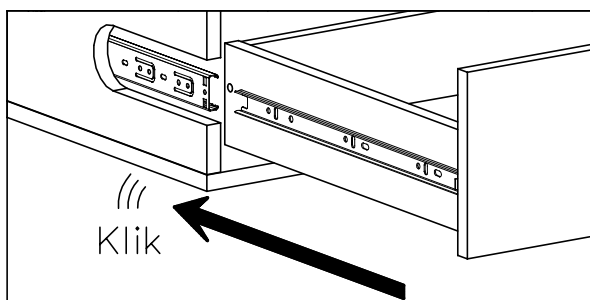
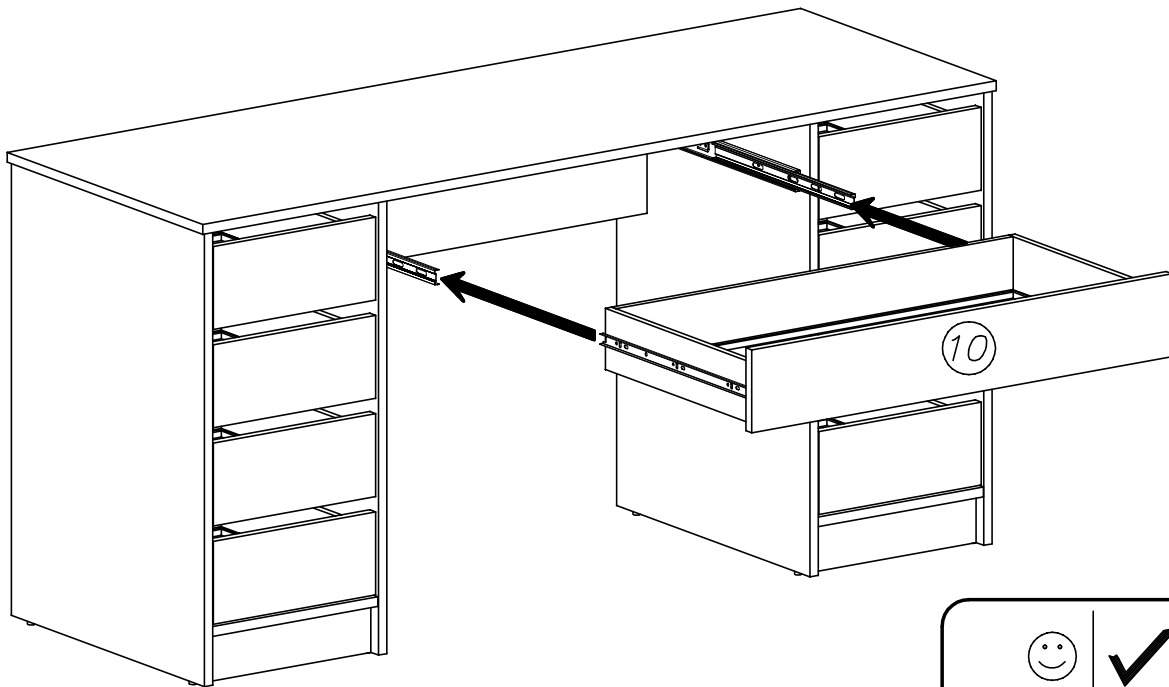
# XIV



N1  
M4x9 x...(16)



# XV





Uwaga • Upozornění • Achtung • Attention • Caution • Figyelem  
 Attenzione • Opgelet • Внимание • Atenție • Upozornenie • Dikkat

