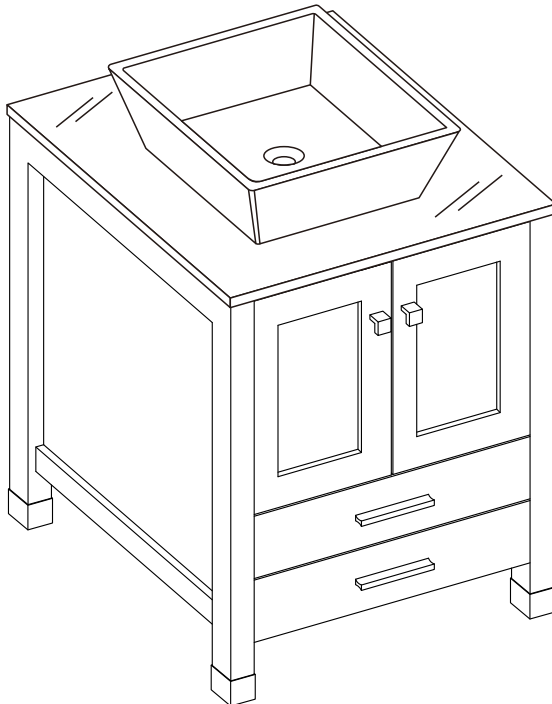
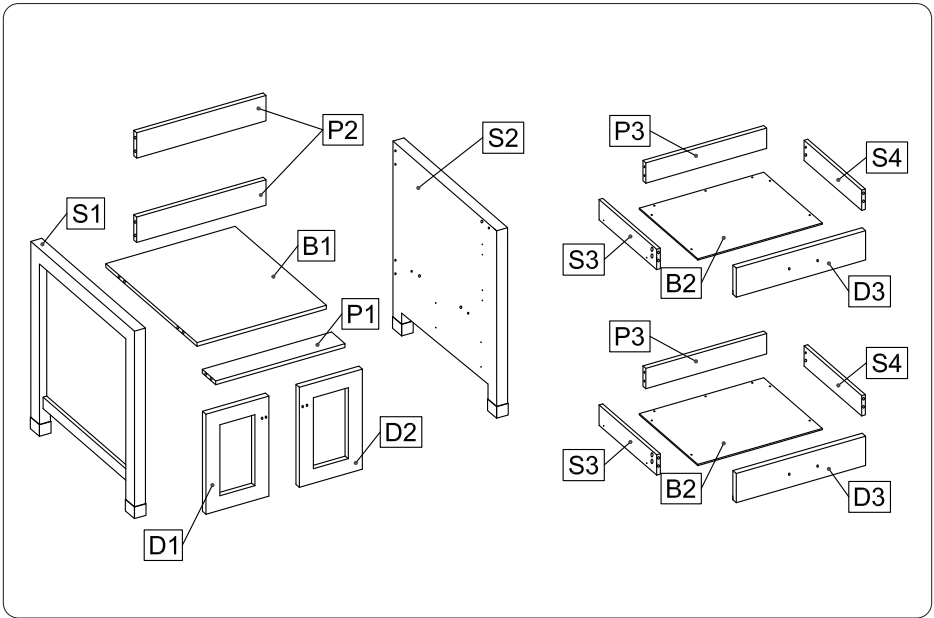













Thank you for purchasing product. All products are carefully engineered and factory tested for durability under normal conditions. We develop our products for simple installation. Follow our instruction to help you easily install your Vanity Set.

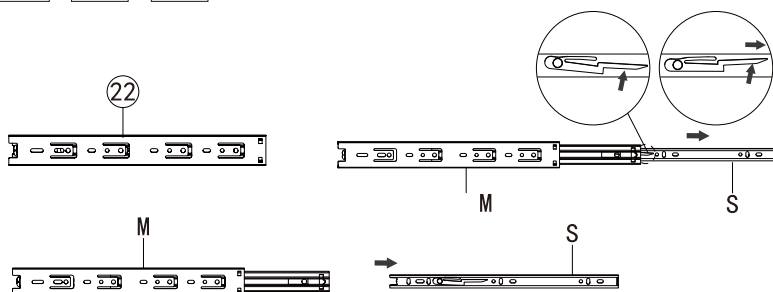




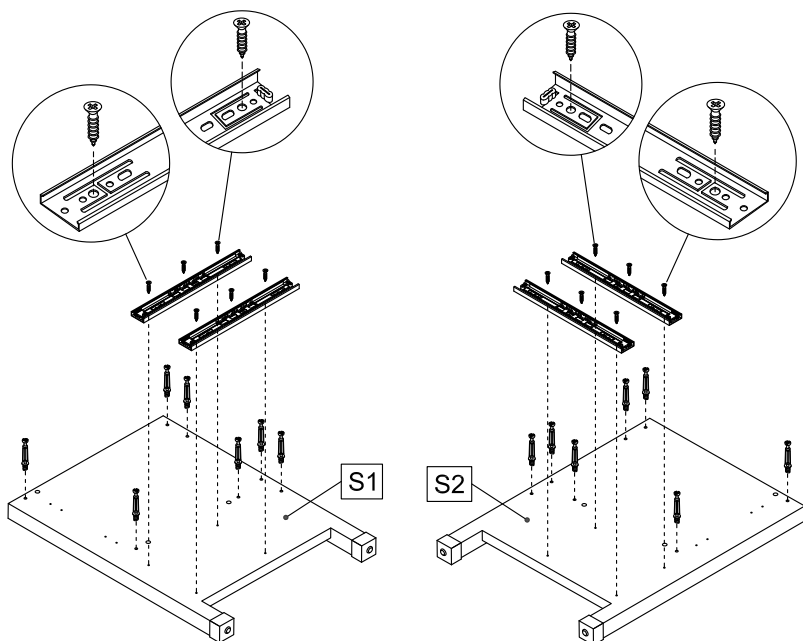
No.	Description	QTY
S1	Left Side Board	1
S2	Right Side Board	1
S3	Left Side Board For Drawer	2
S4	Right Side Board For Drawer	2
P1	Connect Board 1	1
P2	Connect Board 2	2
P3	Connect Board For Drawer	2
B1	Bottom Board 1	1
B2	Bottom Board For Drawer	2
D1	Door 1	1
D2	Door 2	1
D3	Door For Drawer	2

No.	Drawing	Description	QTY
H1		Cover	26
H2		Two-in-one Connector	26
H3		Wood Plug	10
H4		Screws St4x14	48
H5		Handle1	2
H6		Overlay-partition Hinges	4
H7		Screws M4x22	8
H8		back-up plate	8
H9		Handle2	2
H10		Slider	4
H11		Screws St4x20	14

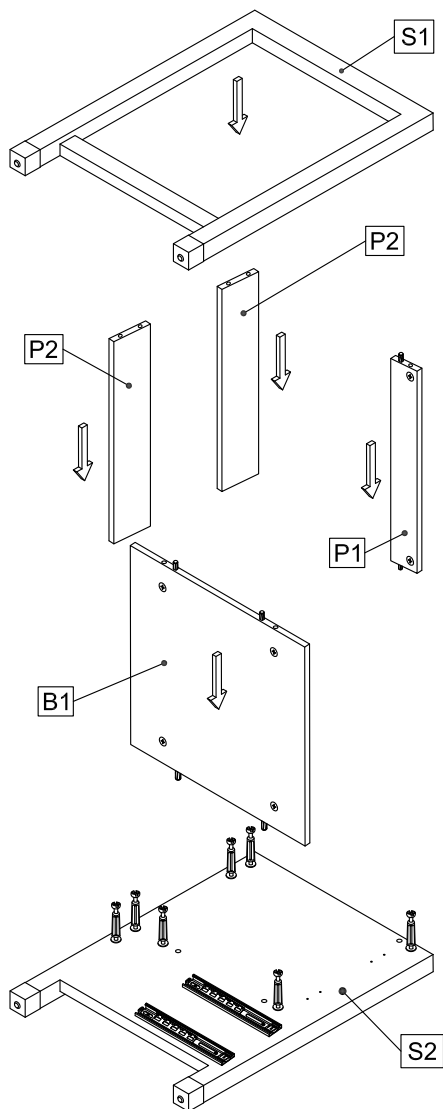
Step 1



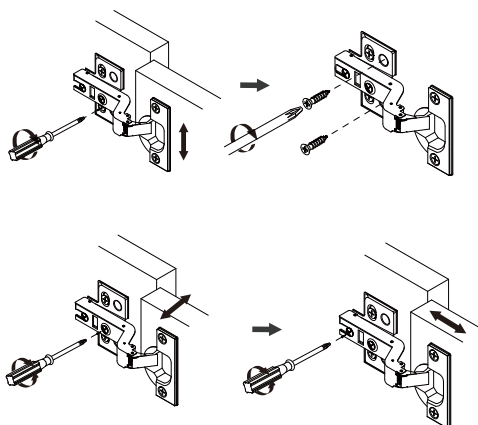
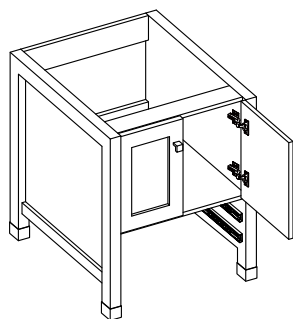
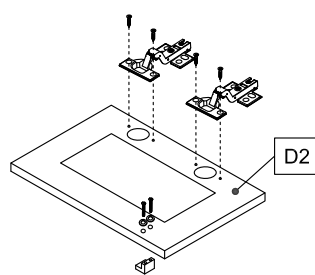
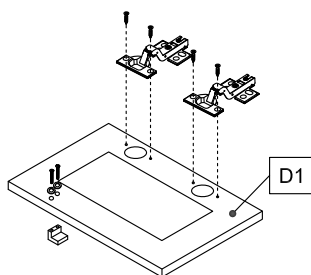
Keep pressing here, then pull out to devide the slide.



Step2

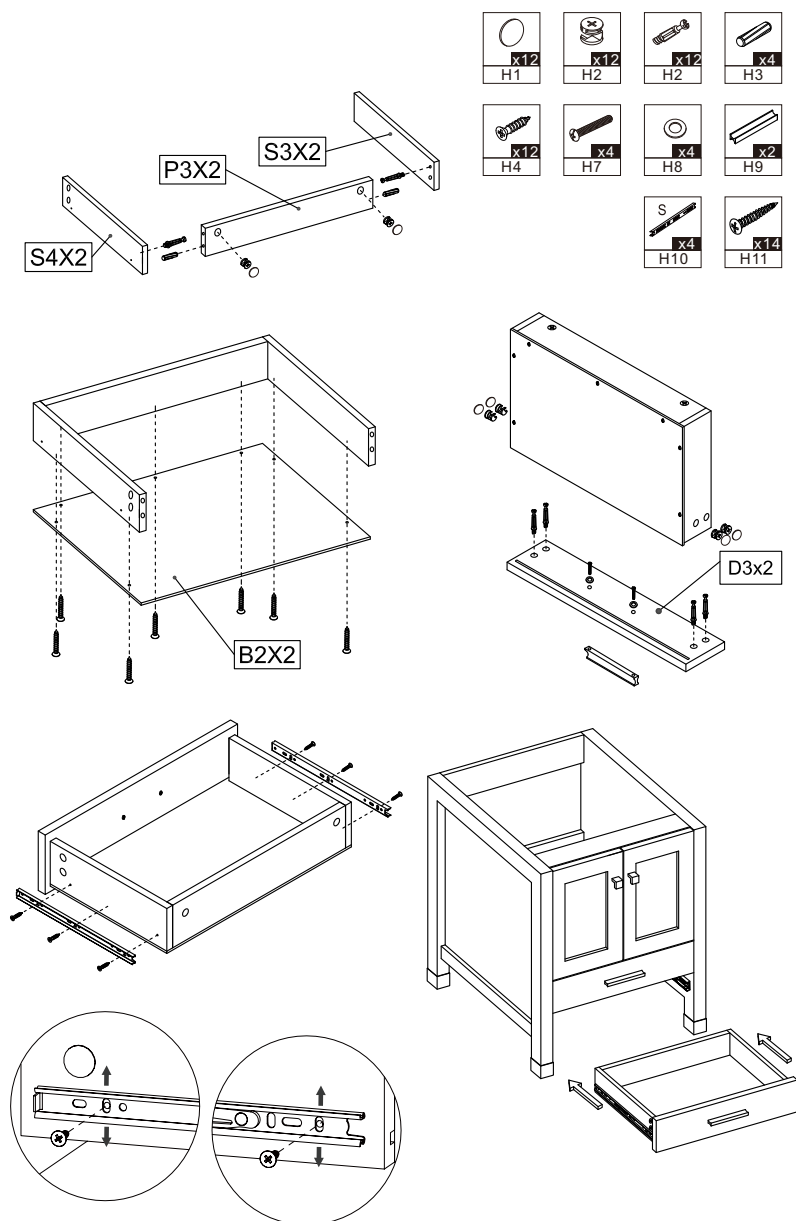


Step3



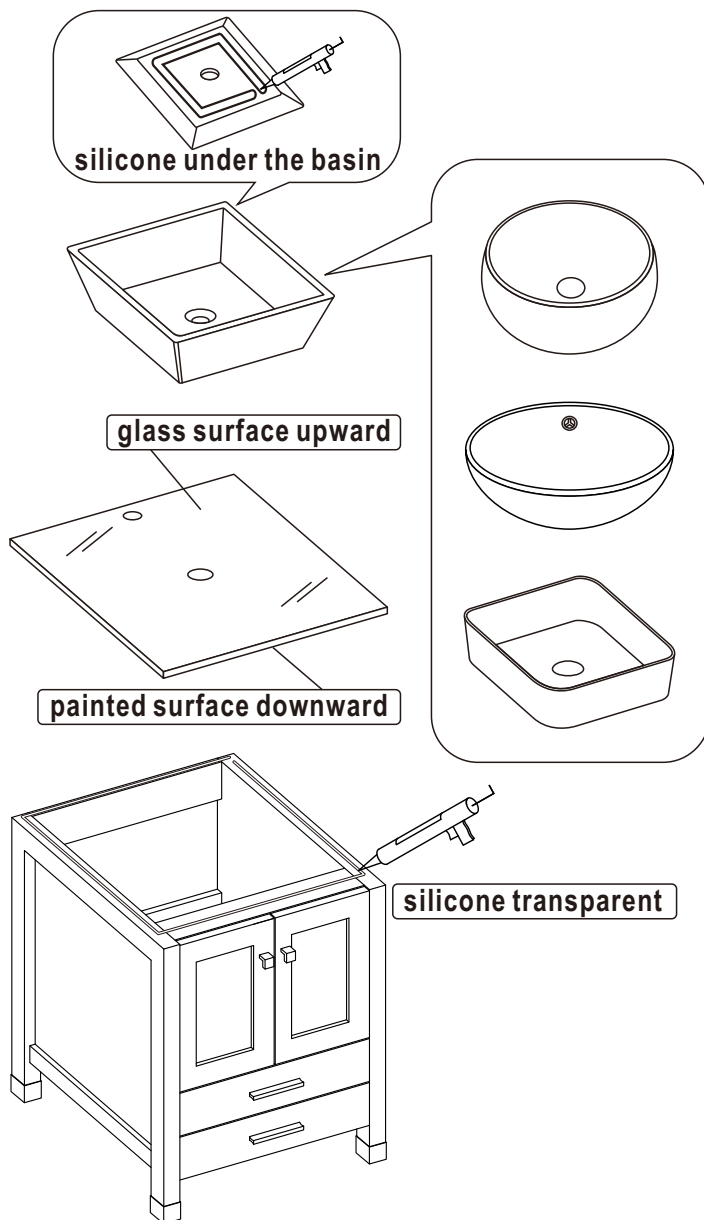
Adjust the screws as shown on the sketch map to ensure all the door gaps are in the same level.

Step4



If the drawers are not in the same level, please adjust the screws in the drawer box.

Step5



Set aside for 24 hours.