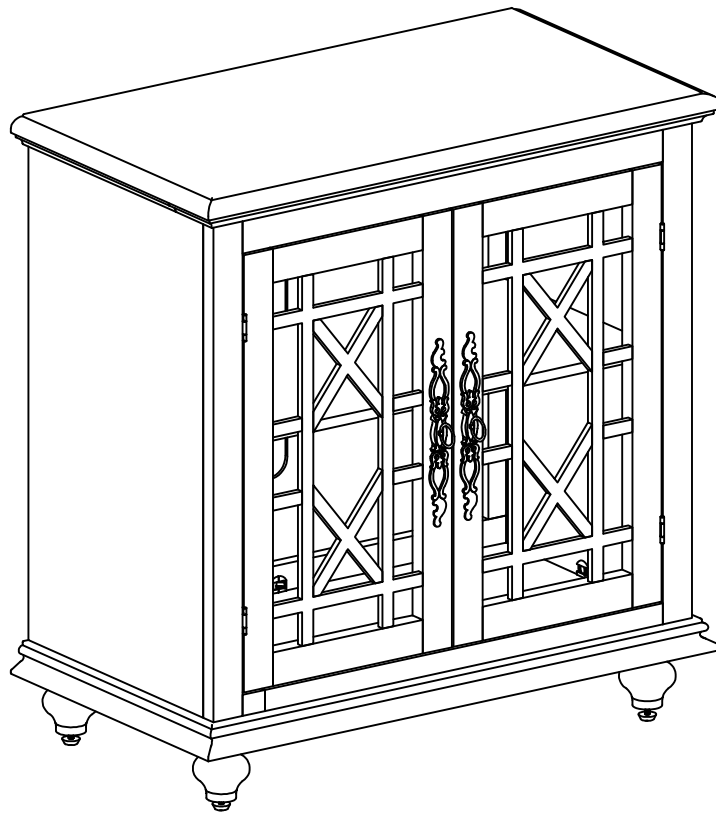
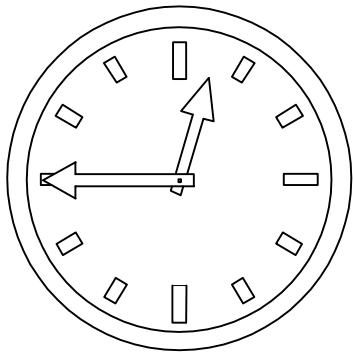
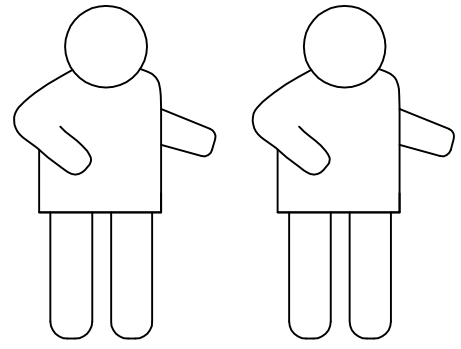


Assembly Instructions

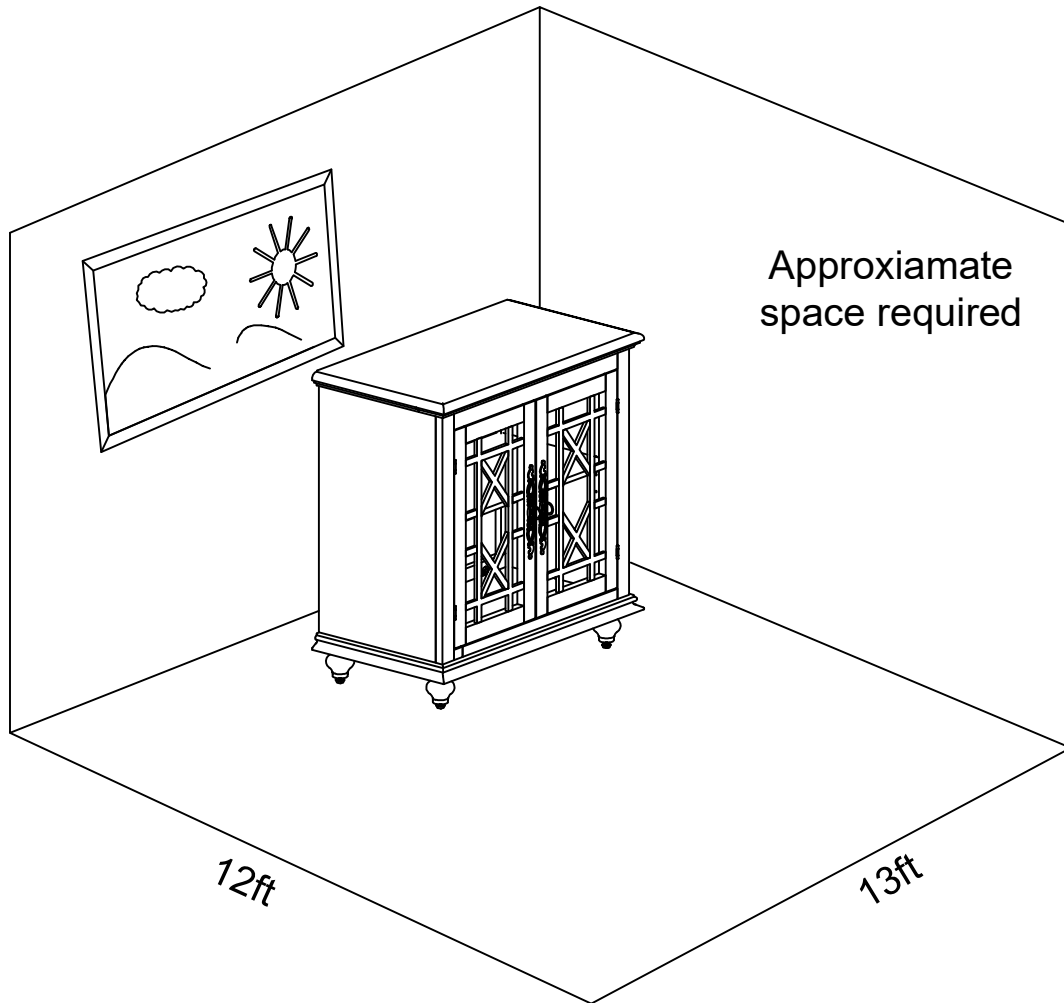




10 min



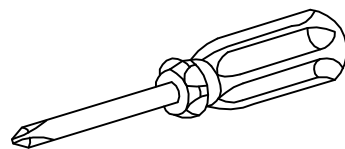
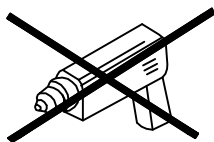
Two People Required



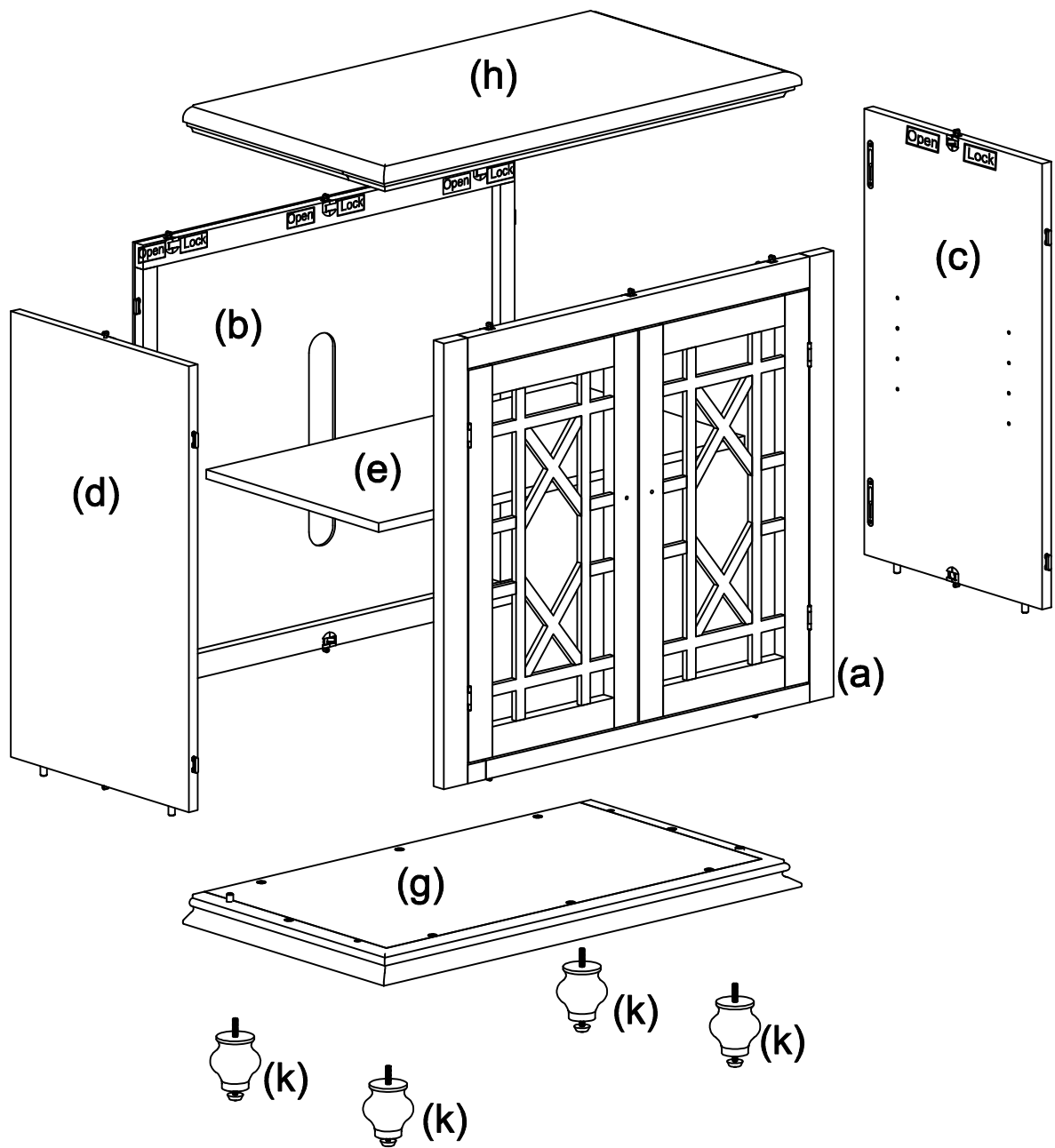
Approximate
space required

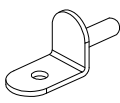
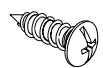

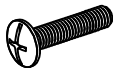
12ft

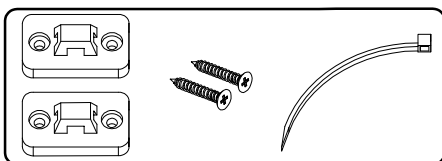
13ft



Phillips Head

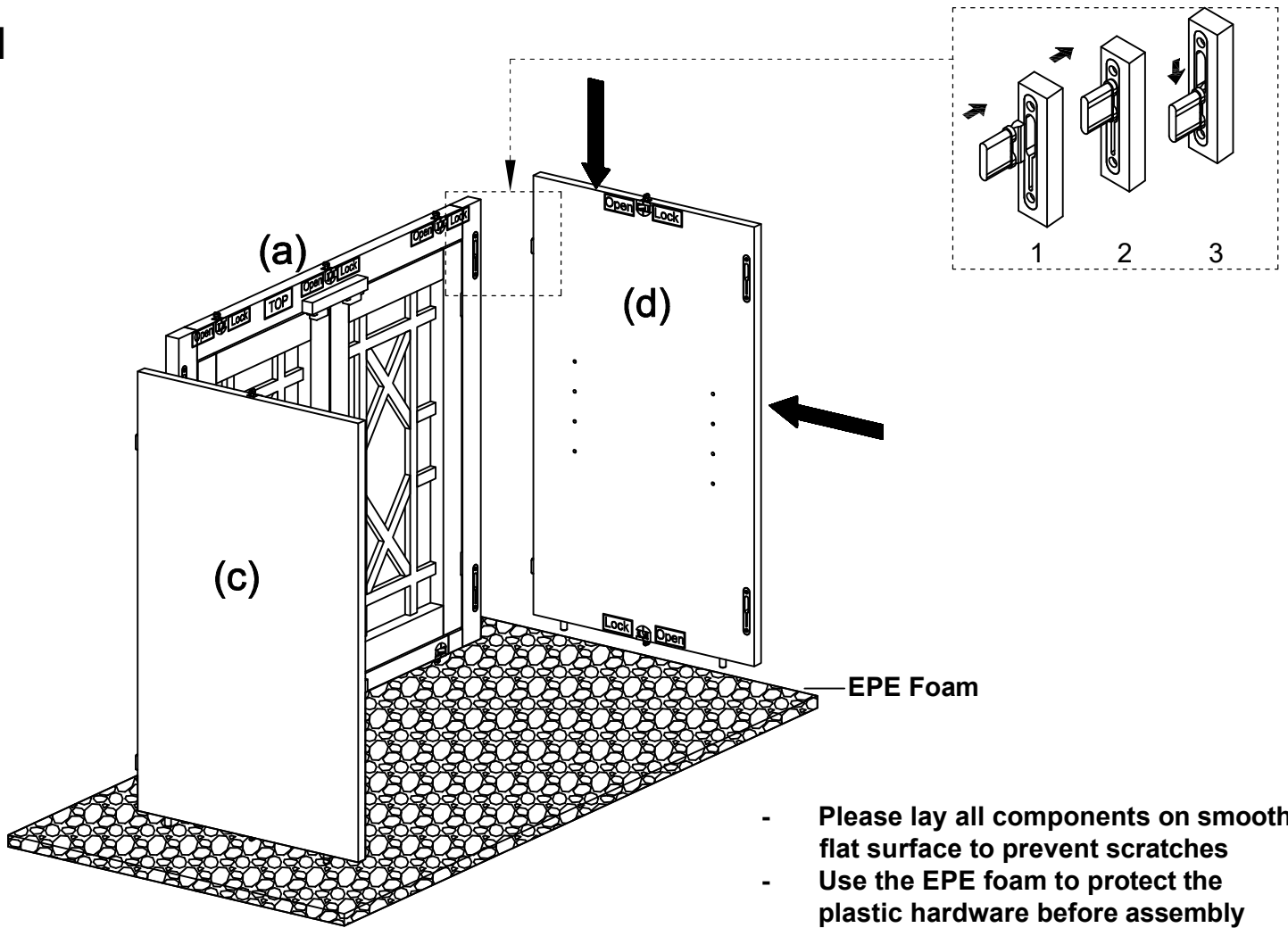


<p>A x 04</p> 	<p>B x 04</p>  <p>Ø3.5x15 (mm)</p>	<p>C x 02</p> 	<p>D x 02</p>  <p>Ø4x30 (mm)</p>
---	---	---	--

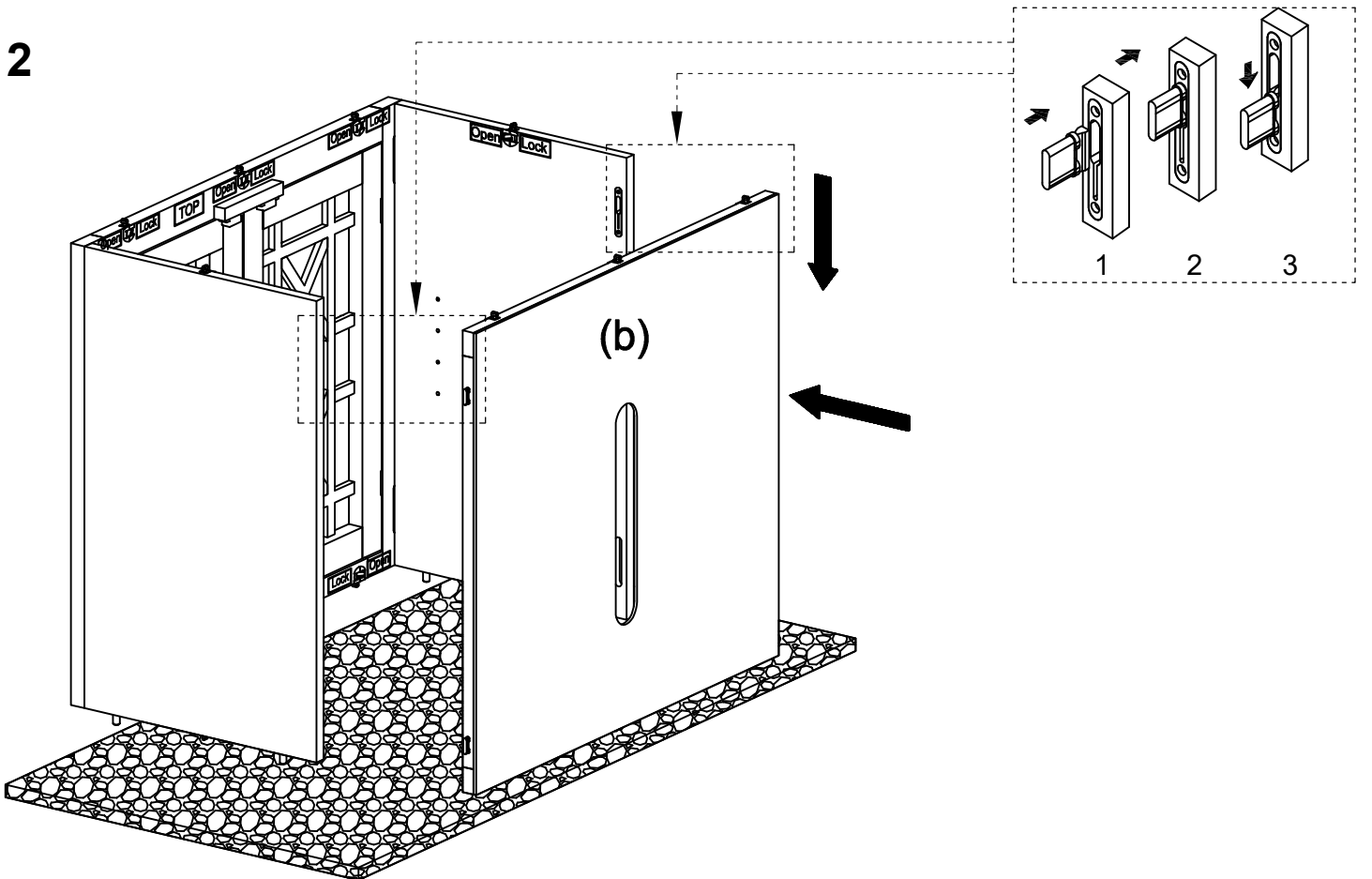


ANTI-TIP SET

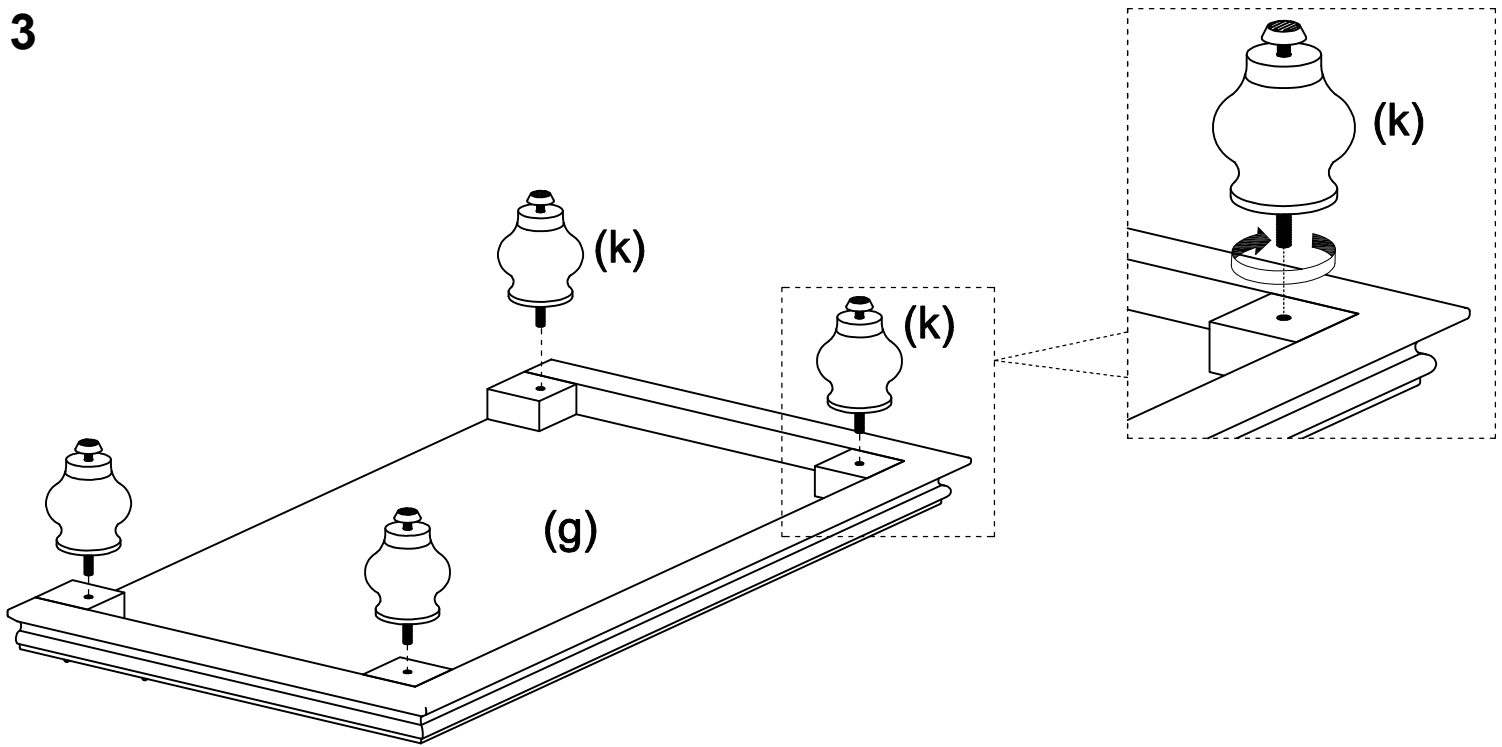
1



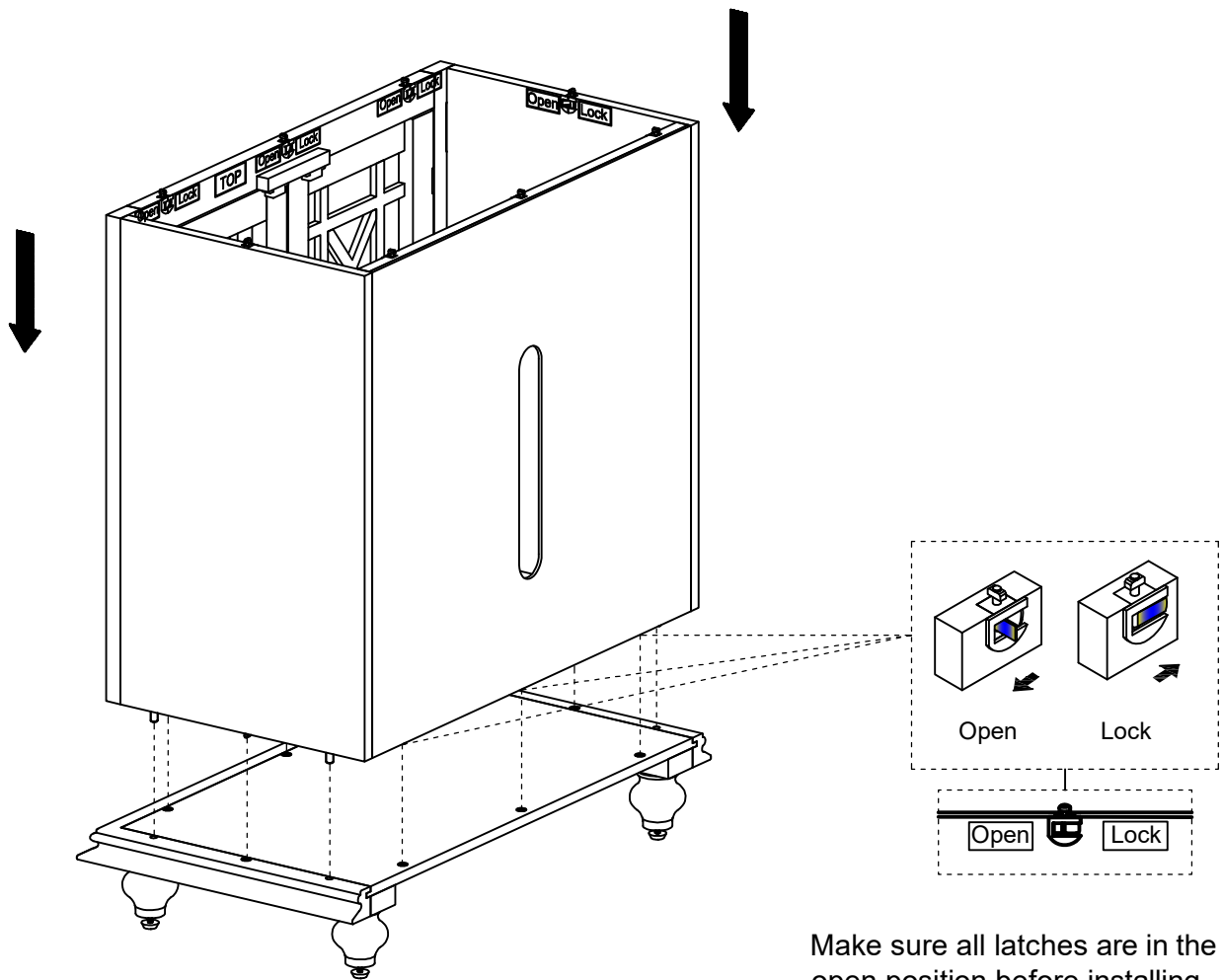
2



3



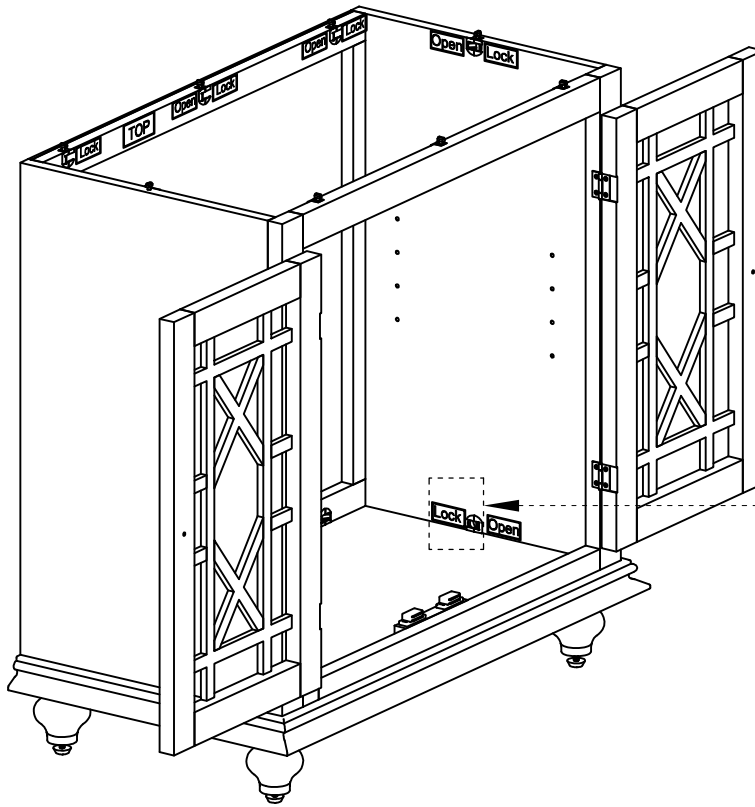
4



5-10

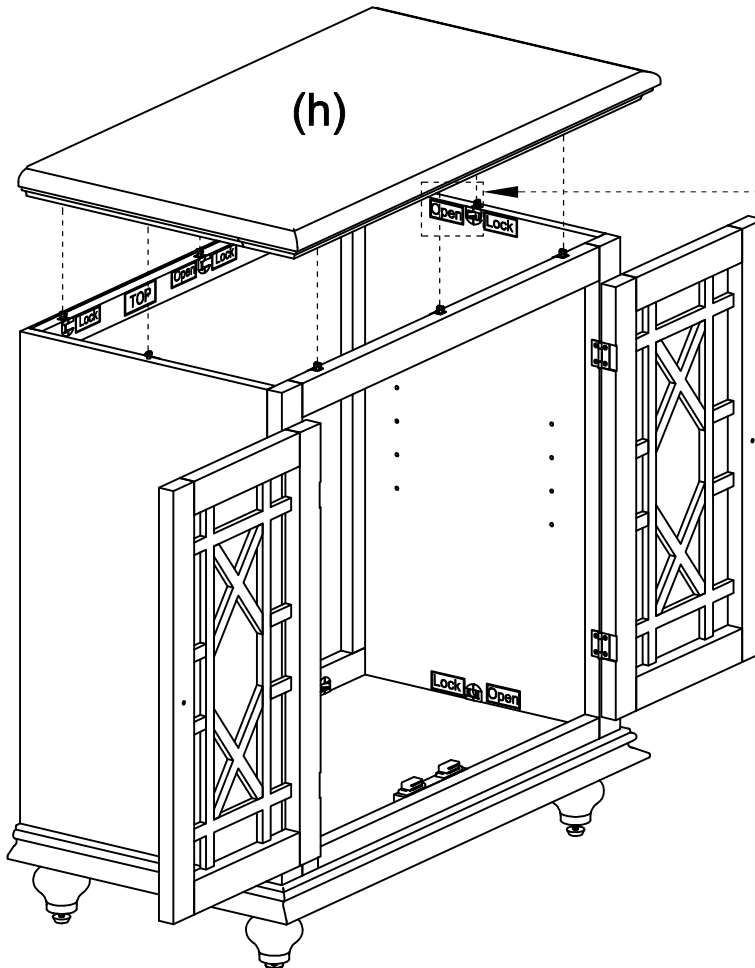
Make sure all latches are in the open position before installing Bottom Panel (g)

5



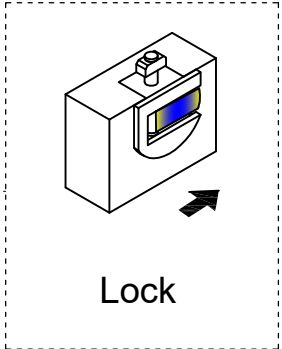
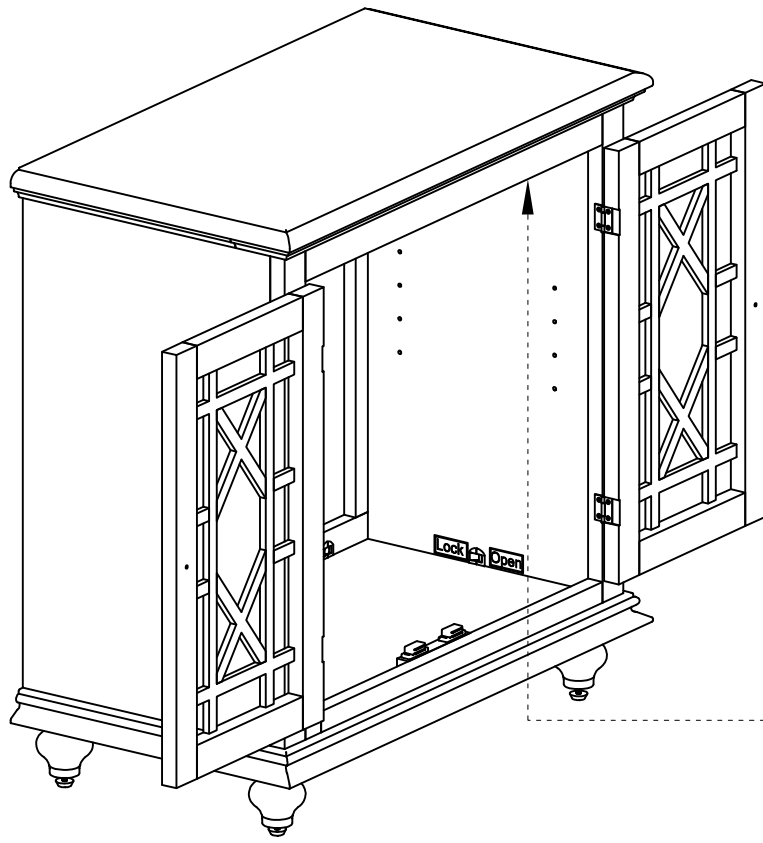
Make sure all latches are in the locked position

6



Make sure all latches are in the open position before installing Top Panel (h)

7



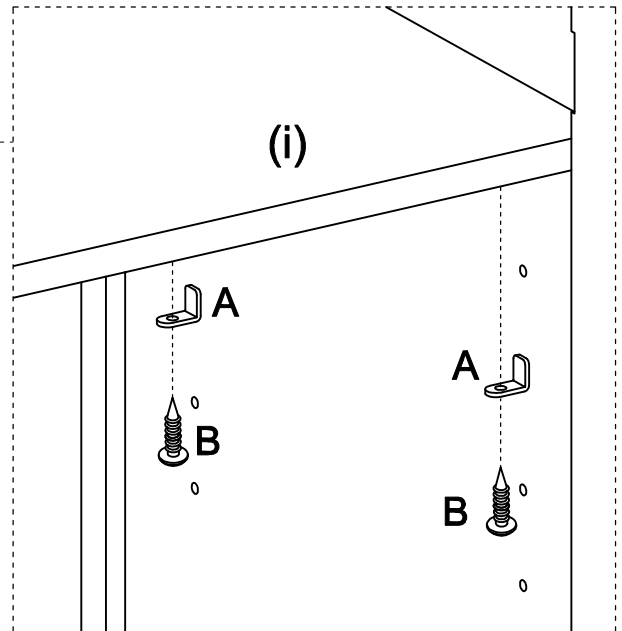
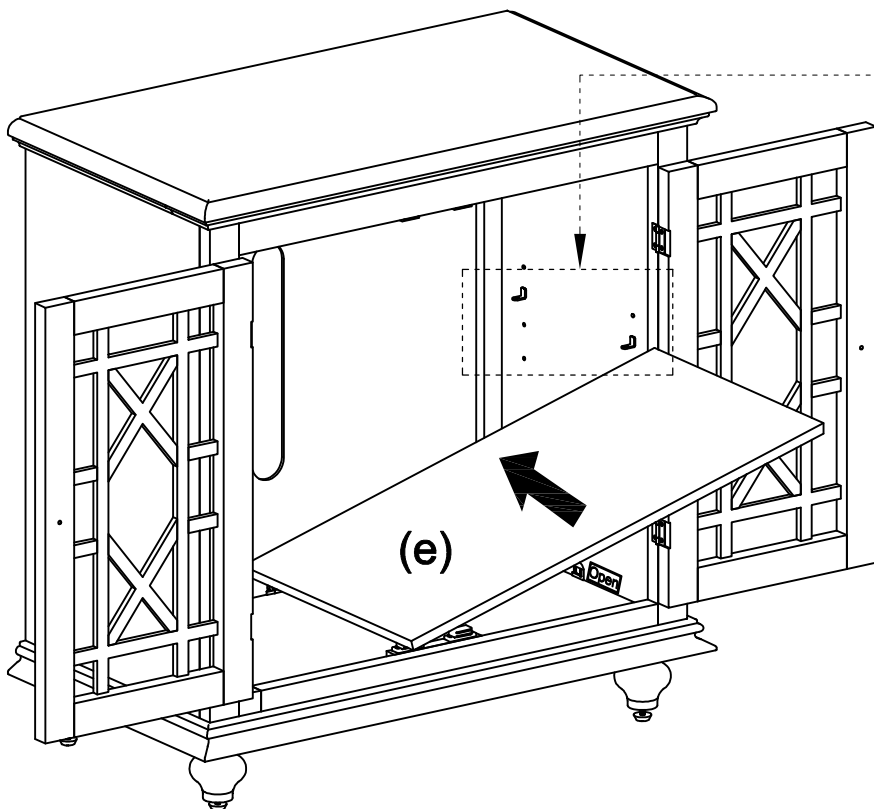
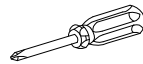
Make sure all latches are in the locked position

8

A x 4

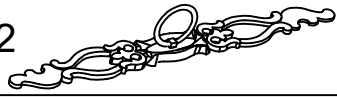


B x 4

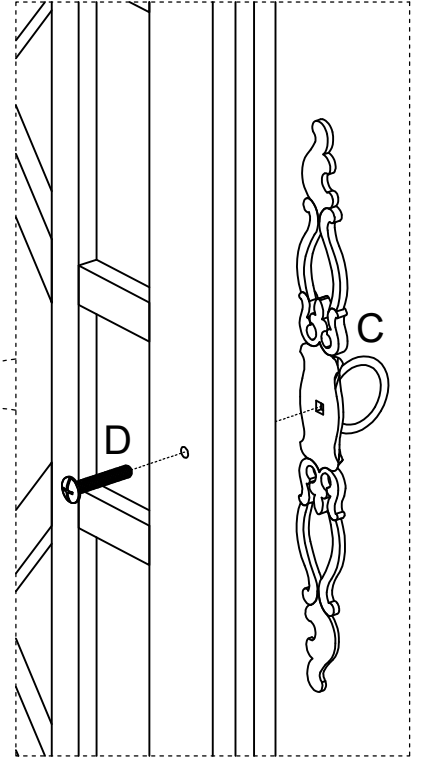
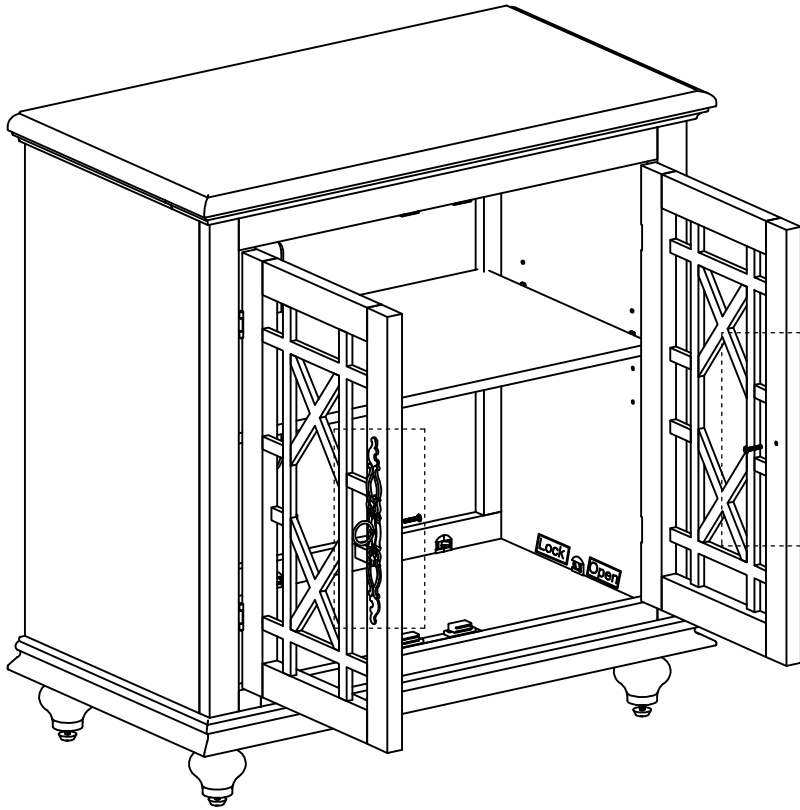
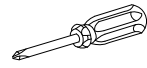
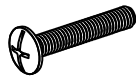


9

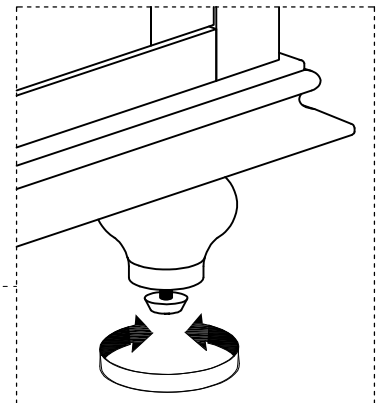
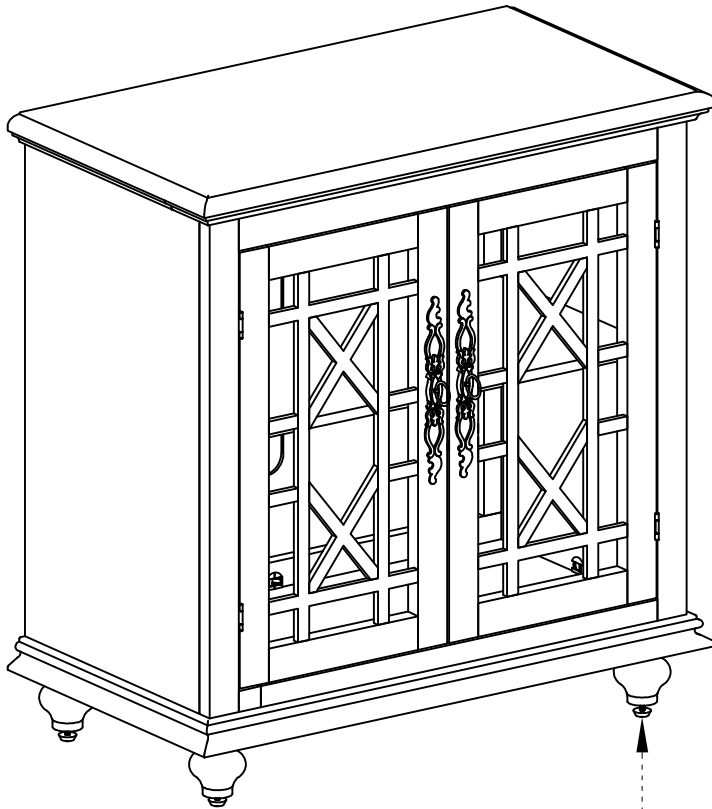
C x 2



D x 2

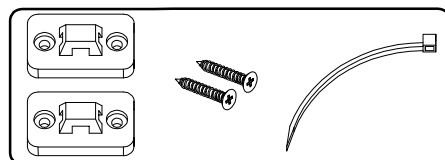
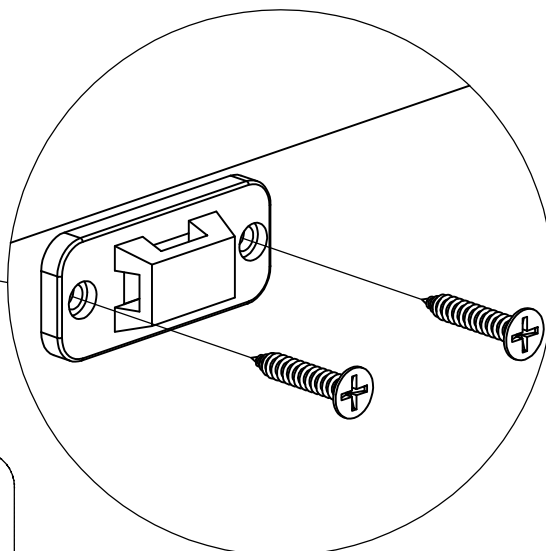
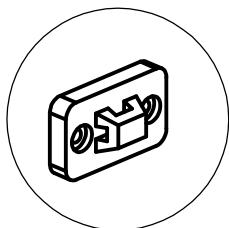
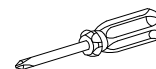


10



Adjustable floor leveler

8-10

**ANTI-TIP SET**

NOTE: As wall materials vary, screws for attaching to wall are not included. For advice on suitable screw systems, contact your local hardware / home improvement store.

