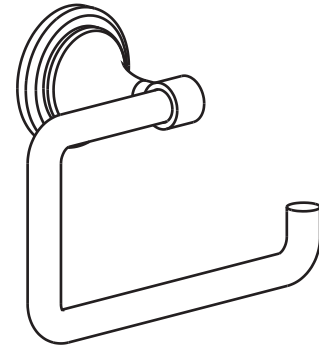


Features:

- Wall-mount toilet paper holder
- Includes mounting hardware
- Plated brass construction

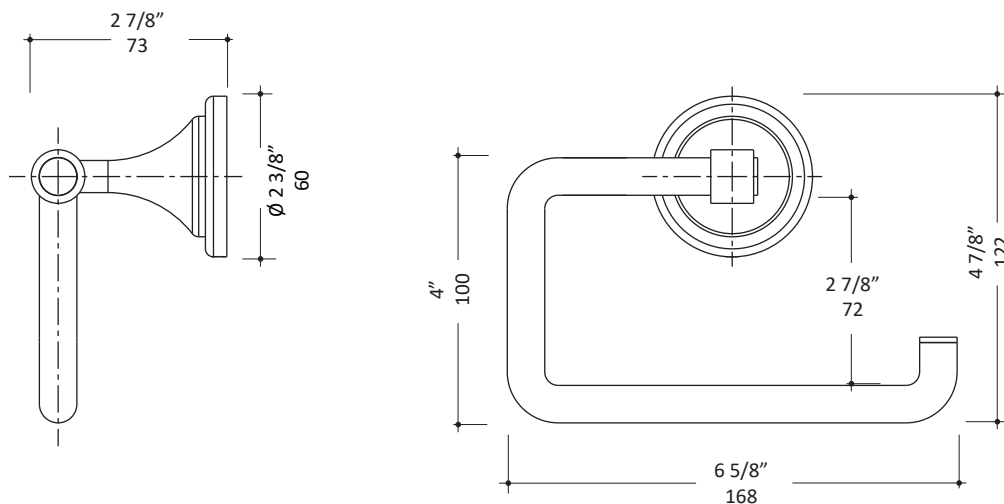
Finish Options:

- CR - Polished Chrome
- PN - Polished Nickel
- NI - Brushed Nickel
- BG - Brushed Gold
- 44 - Matte Black



Codes + Standards:

- Meets and exceeds applicable national codes and standards



Paper roll space width max. 5 1/2" (140mm)