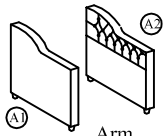







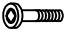




ASSEMBLY INSTRUCTION

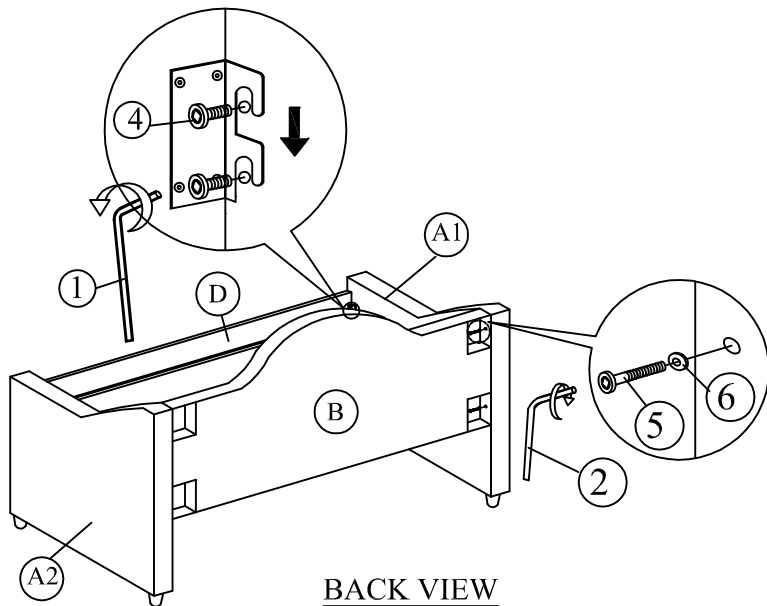
(4'6")

A		1 pc
B		1 pc
C		1 pc
D		1 pc
E		1 pc

Packing Hardware

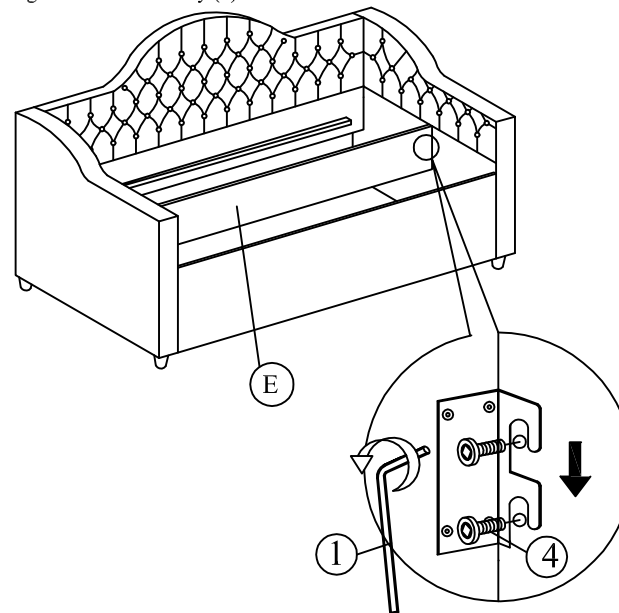
1	 M5 x 70 mm	1 pc
2	 M5 x 65 mm	1 pc
3	 CSK M4 x 32mm	26 pcs
4	 JCBB M8 X 20	12 pcs
5	 JCBC M6 X 50	4 pcs
6	 FLAT WASHER	4 pcs

Step 1: Attach the back panel (B) to arm (A). Attach side rail (D) to arm (A) by pushing the bracket down to fit it. Tighten with Allen Key (1).

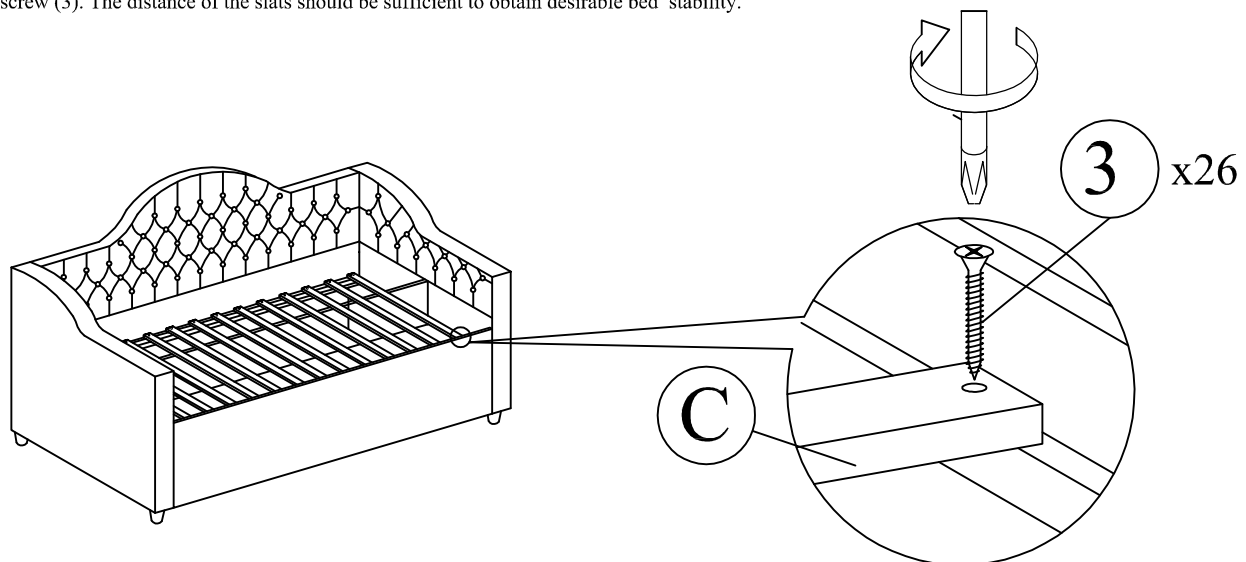


BACK VIEW

Step 2: Attach middle panel (E) to arm (A) by pushing the bracket down to fit it. Tighten with Allen Key (1).

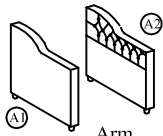






Step 3: Tighten the slats with CSK screw (3). The distance of the slats should be sufficient to obtain desirable bed stability.




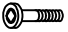




ASSEMBLY INSTRUCTION

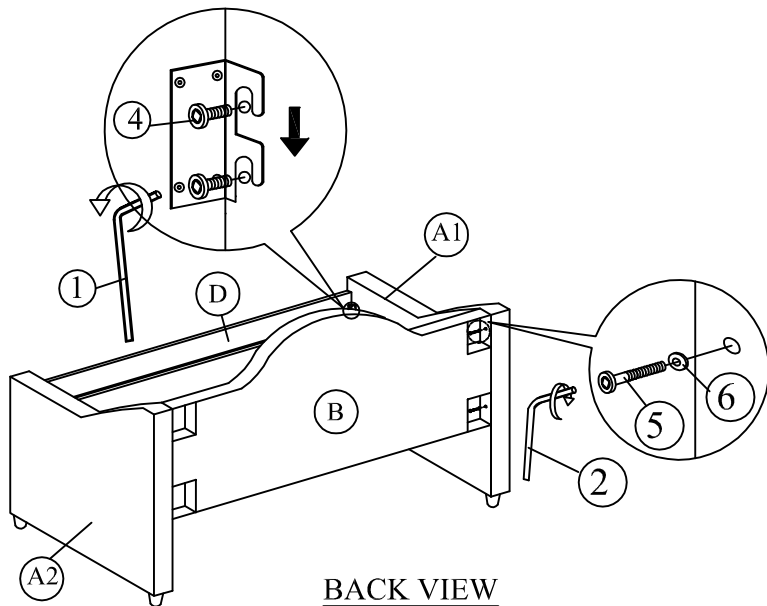
(5')

A		1 pc
B		1 pc
C		1 pc
D		1 pc
E		1 pc

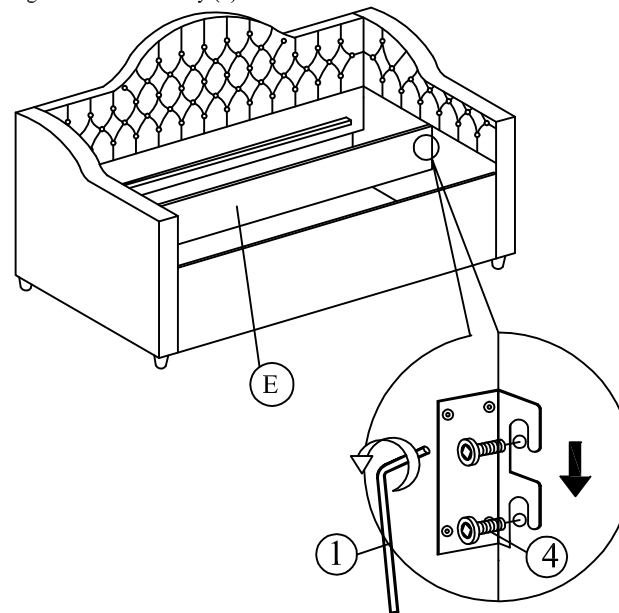
Packing Hardware

1	 M5 x 70 mm	1 pc
2	 M5 x 65 mm	1 pc
3	 CSK M4 x 32mm	28 pcs
4	 JCBB M8 X 20	12 pcs
5	 JCBC M6 X 50	4 pcs
6	 FLAT WASHER	4 pcs

Step 1: Attach the back panel (B) to arm (A). Attach side rail (D) to arm (A) by pushing the bracket down to fit it. Tighten with Allen Key (1).



Step 2: Attach middle panel (E) to arm (A) by pushing the bracket down to fit it. Tighten with Allen Key (1).



Step 3: Tighten the slats with CSK screw (3). The distance of the slats should be sufficient to obtain desirable bed stability.

