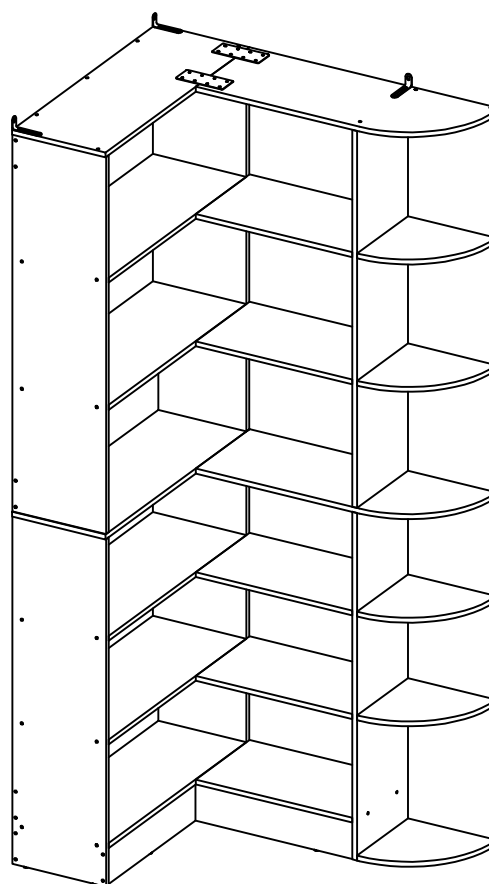
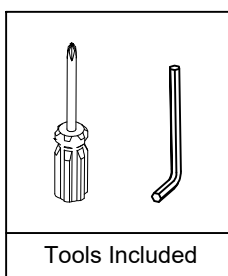
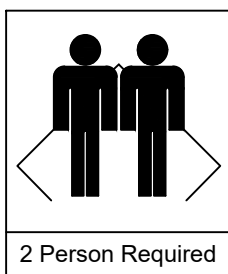


# 6 TIERS CORNER BOOKSHELF

## Assembly Instruction

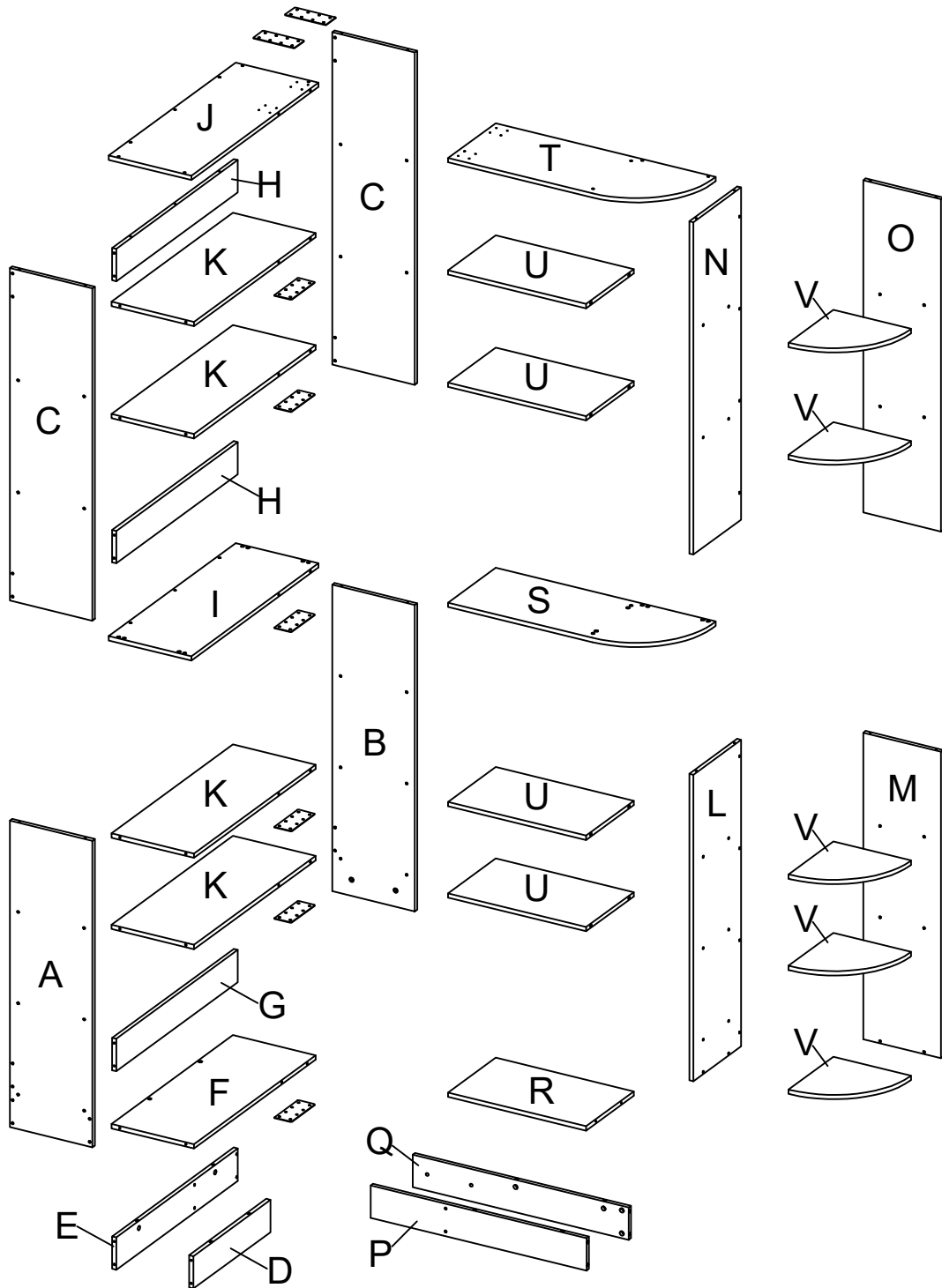
CS-JLSJ-6C\_V1.0



### Customer Support

**NEED HELP?** For replacement requests or product inquiries, please contact our Customer Service Team by emailing us at [cozylifecs@hotmail.com](mailto:cozylifecs@hotmail.com). Thank you for selecting us!

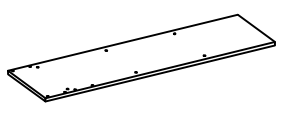
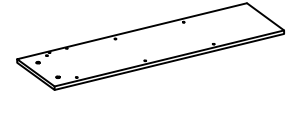
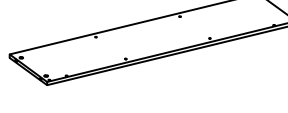
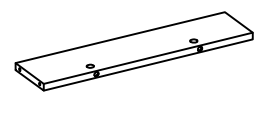
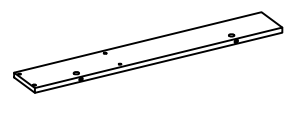
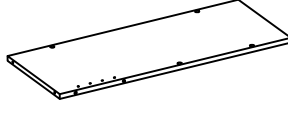
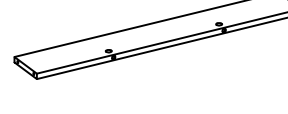
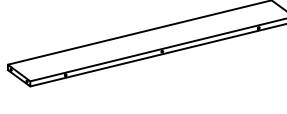
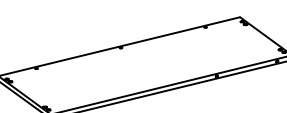
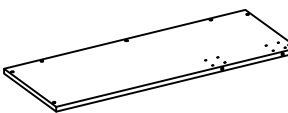

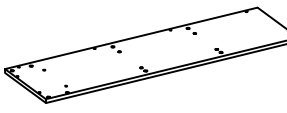
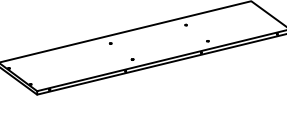
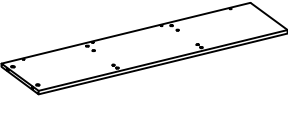
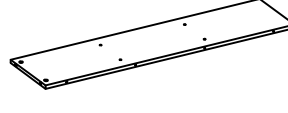
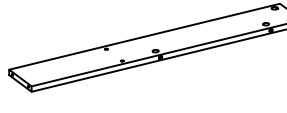
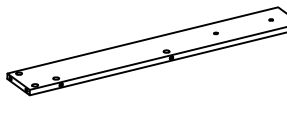
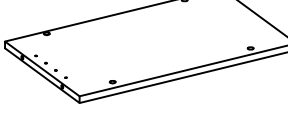
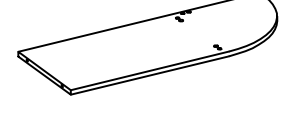
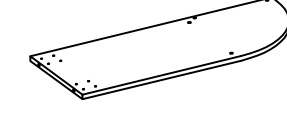

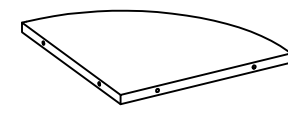
## PART LIST




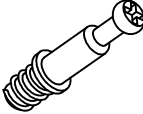

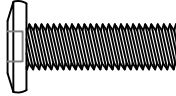
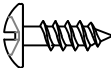
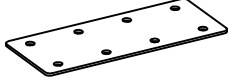
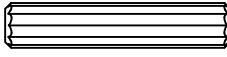
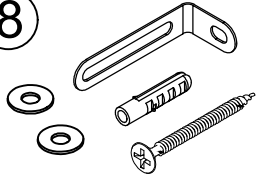

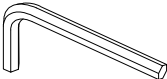

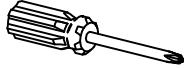
### **USEFUL HINTS BEFORE YOU START:**

1. Read each step carefully before starting.
2. It is important that each step is performed in correct order to avoid difficulties.
3. Identify, sort and count the parts before assembly.
4. Assemble your furniture on packaging cardboard to prevent scratch or damage.
5. Clean the product with mild cleanser using soft damped cloth. Do not use harsh or abrasive cleanser.
6. Using incompatible hardware might cause damage to product.

**PART LIST**

|  |  |  |   |
|--|--|--|---|
| <p><b>A x 1pc</b></p>     | <p><b>B x 1pc</b></p>     | <p><b>C x 2pcs</b></p>   | <p><b>D x 1pc</b></p>    |
| <p><b>E x 1pc</b></p>     | <p><b>F x 1pc</b></p>     | <p><b>G x 1pc</b></p>    | <p><b>H x 2pcs</b></p>   |
| <p><b>I x 1pc</b></p>    | <p><b>J x 1pc</b></p>    | <p><b>K x 4pcs</b></p>  | <p><b>L x 1pc</b></p>   |
| <p><b>M x 1pc</b></p>   | <p><b>N x 1pc</b></p>   | <p><b>O x 1pc</b></p>  | <p><b>P x 1pc</b></p>  |
| <p><b>Q x 1pc</b></p>   | <p><b>R x 1pc</b></p>   | <p><b>S x 1pc</b></p>  | <p><b>T x 1pc</b></p>  |
| <p><b>U x 4pcs</b></p>  | <p><b>V x 5pcs</b></p>  |  |   |

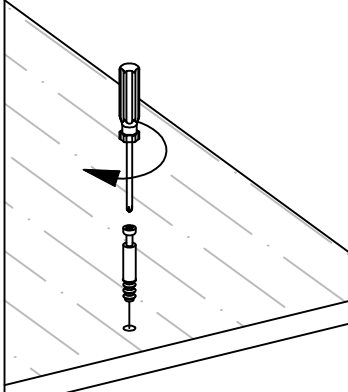
## HARDWARE LIST

|   |  |  |  |
|---|--|--|--|
| <p style="text-align: center;">①</p>  <p>M5x40                      94 pcs</p> | <p style="text-align: center;">②</p>  <p>M6x28                      30 pcs</p>  | <p style="text-align: center;">③</p>  <p>Ø12                          30 pcs</p> | <p style="text-align: center;">④</p>  <p>M6x20                      2 pcs</p> |
| <p style="text-align: center;">⑤</p>  <p>M3.5x12                    64 pcs</p> | <p style="text-align: center;">⑥</p>  <p>120*50*1.5                8 pcs</p>    | <p style="text-align: center;">⑦</p>  <p>M6x30                      14 pcs</p>   | <p style="text-align: center;">⑧</p>  <p>M4x40                      3 pcs</p> |
| <p style="text-align: center;">⑨</p>  <p>13 pcs</p>                            | <p style="text-align: center;">⑩</p>  <p>M4                            1 pc</p> | <p style="text-align: center;">⑪</p>  <p>M3                            1 pc</p>  | <p style="text-align: center;">⑫</p>  <p>1 pc</p>                             |

# How to install Camlocks

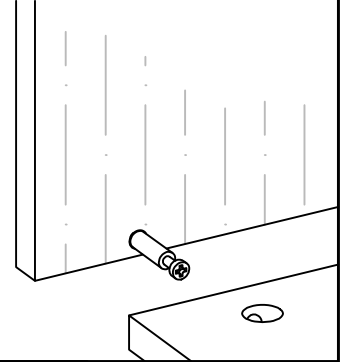
Connect the male camlock as directed in the assembly instructions with a screwdriver.

**1** DO NOT OVER TIGHTEN



Put the male camlock into the entry hole.

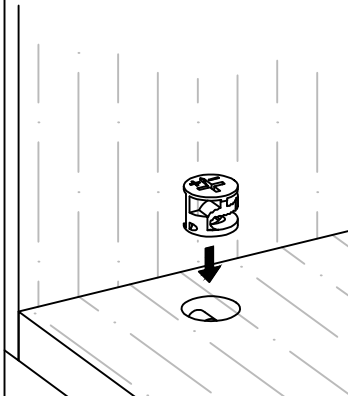
**2**



Insert the female camlock as shown in the instruction.

Note: ensure that the arrow on the top of the camlock points toward the entry hole for the male camlock.

**3**

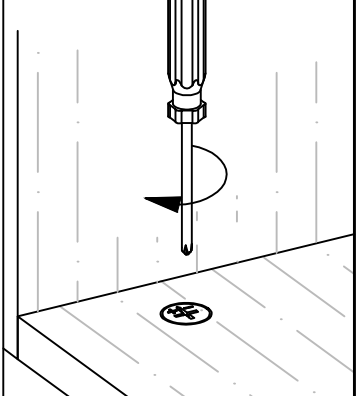


Screw the female camlock clockwise with a screwdriver.

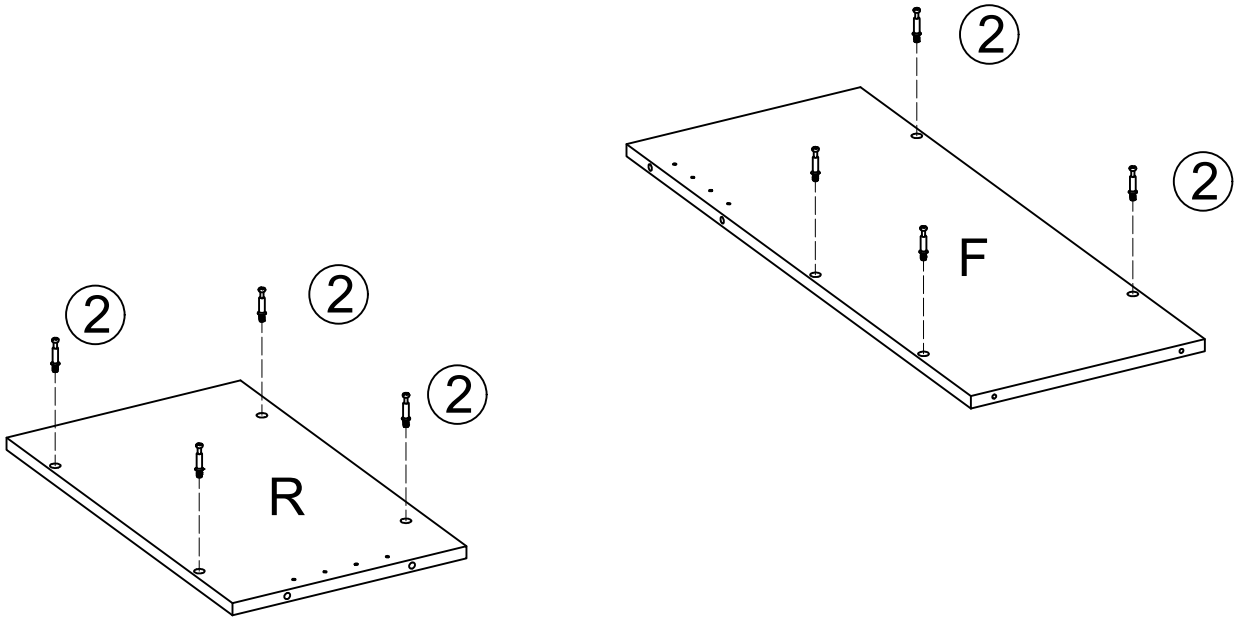
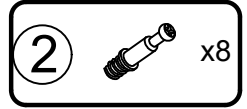
You will feel a click when the camlock is locked in place.

The camlock is now completed.

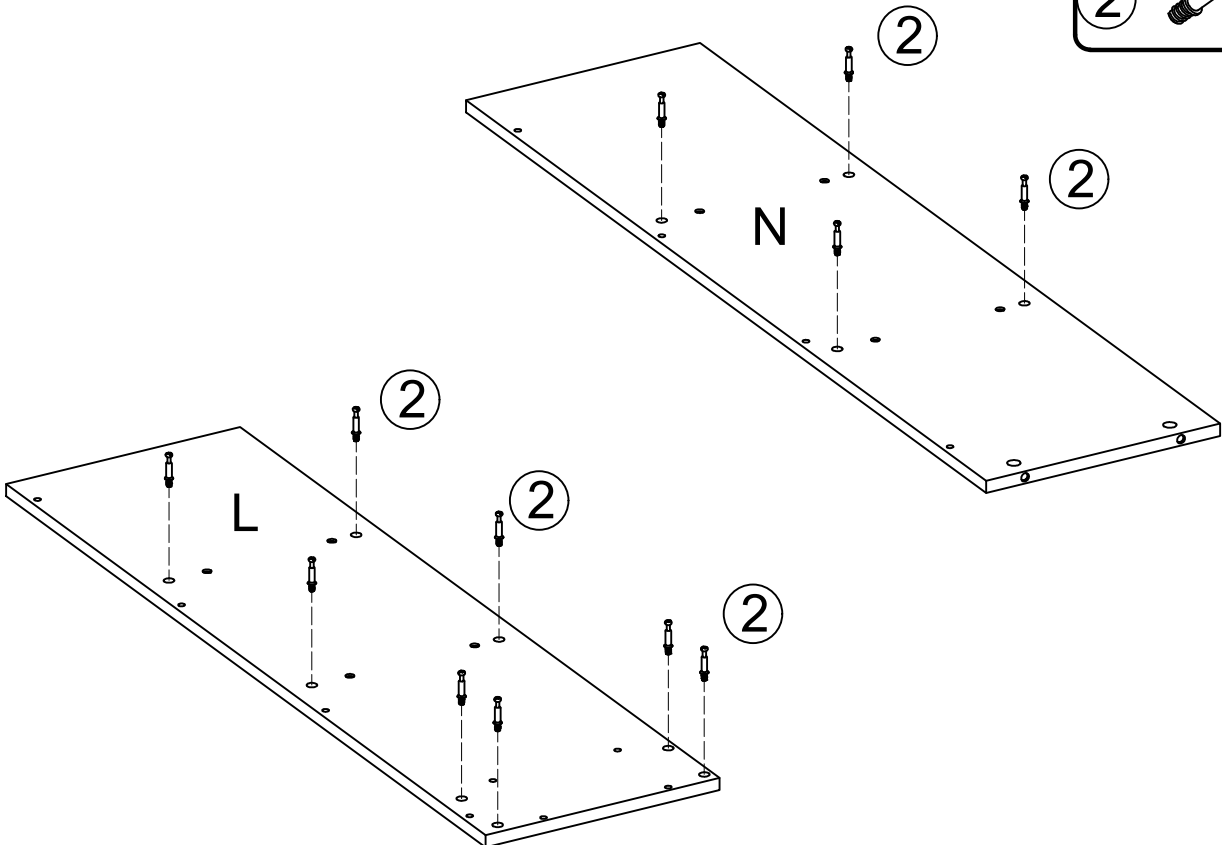
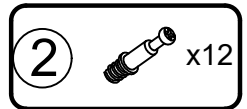
**4**



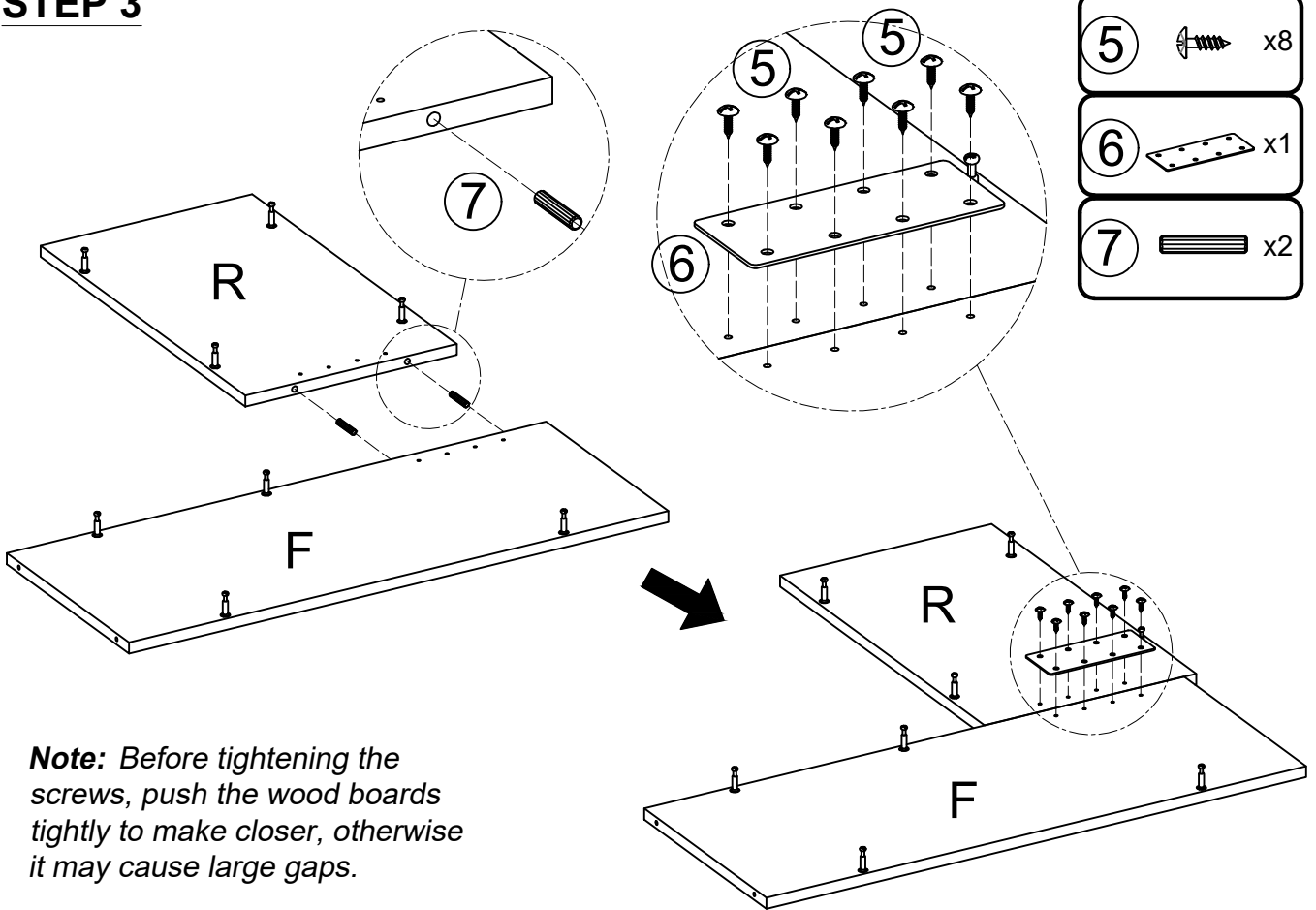
# STEP 1



# STEP 2

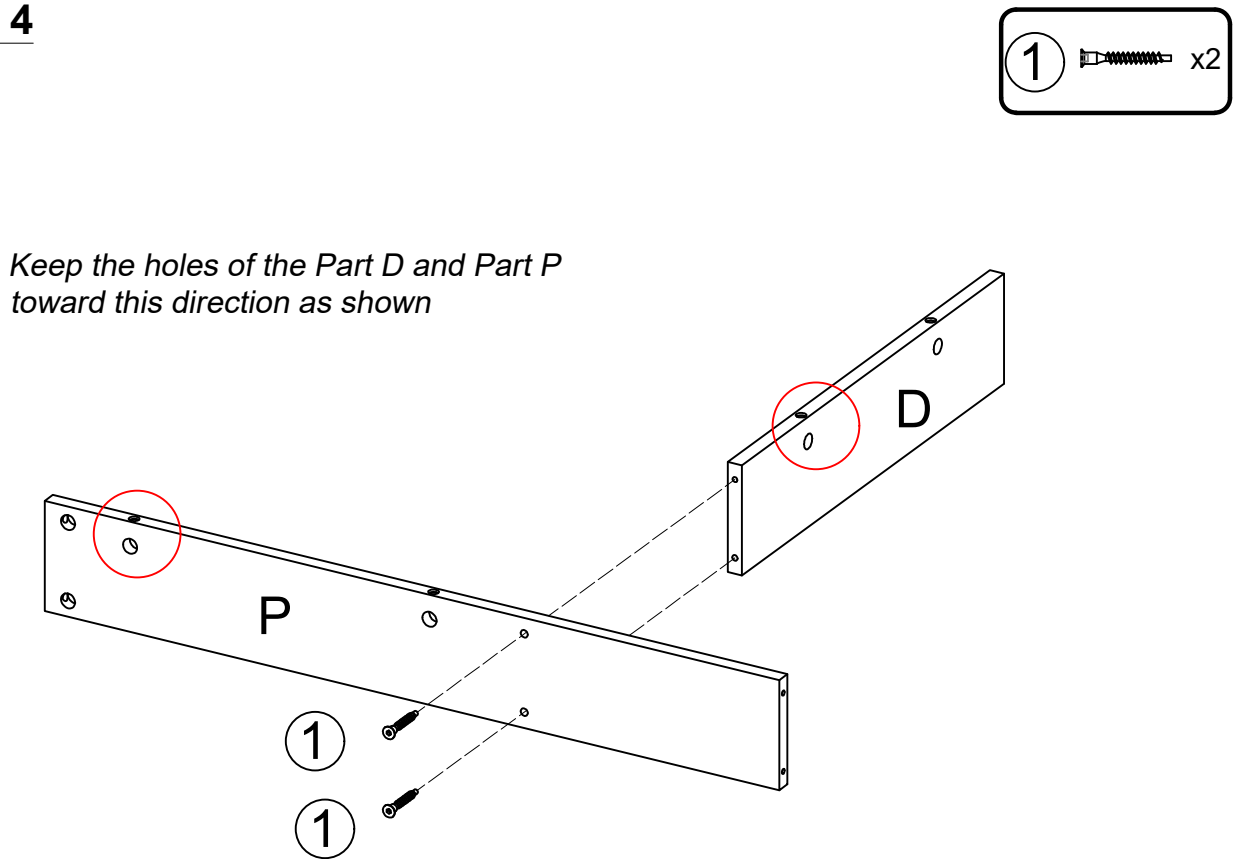


### STEP 3

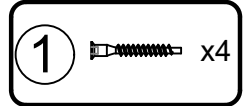


**Note:** Before tightening the screws, push the wood boards tightly to make closer, otherwise it may cause large gaps.

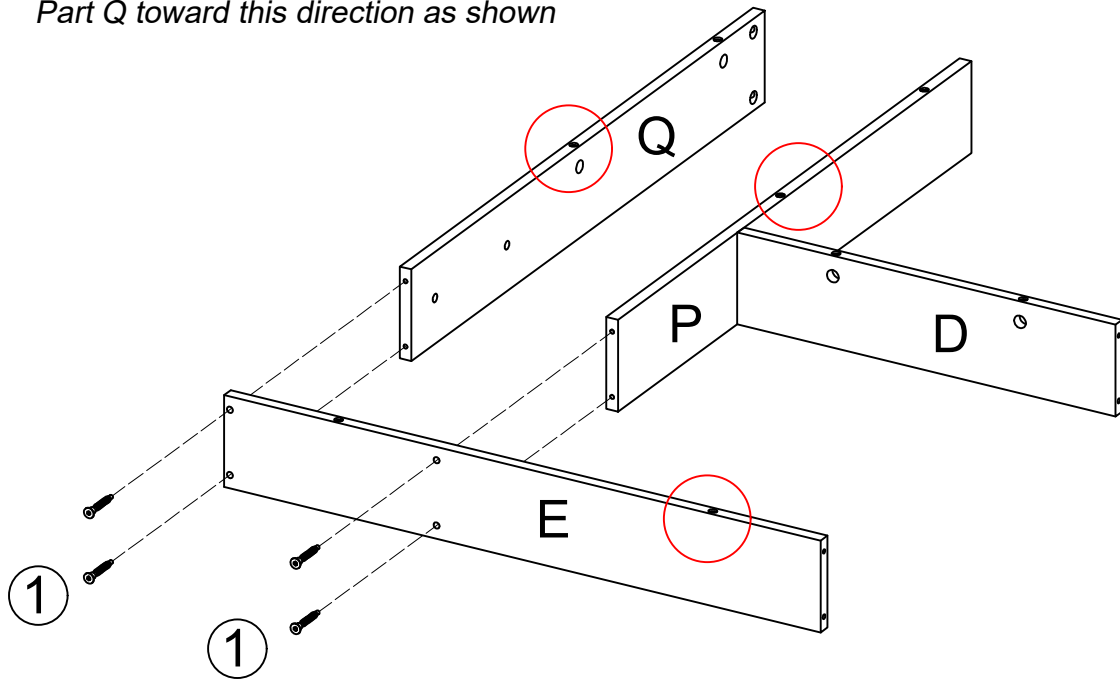
### STEP 4



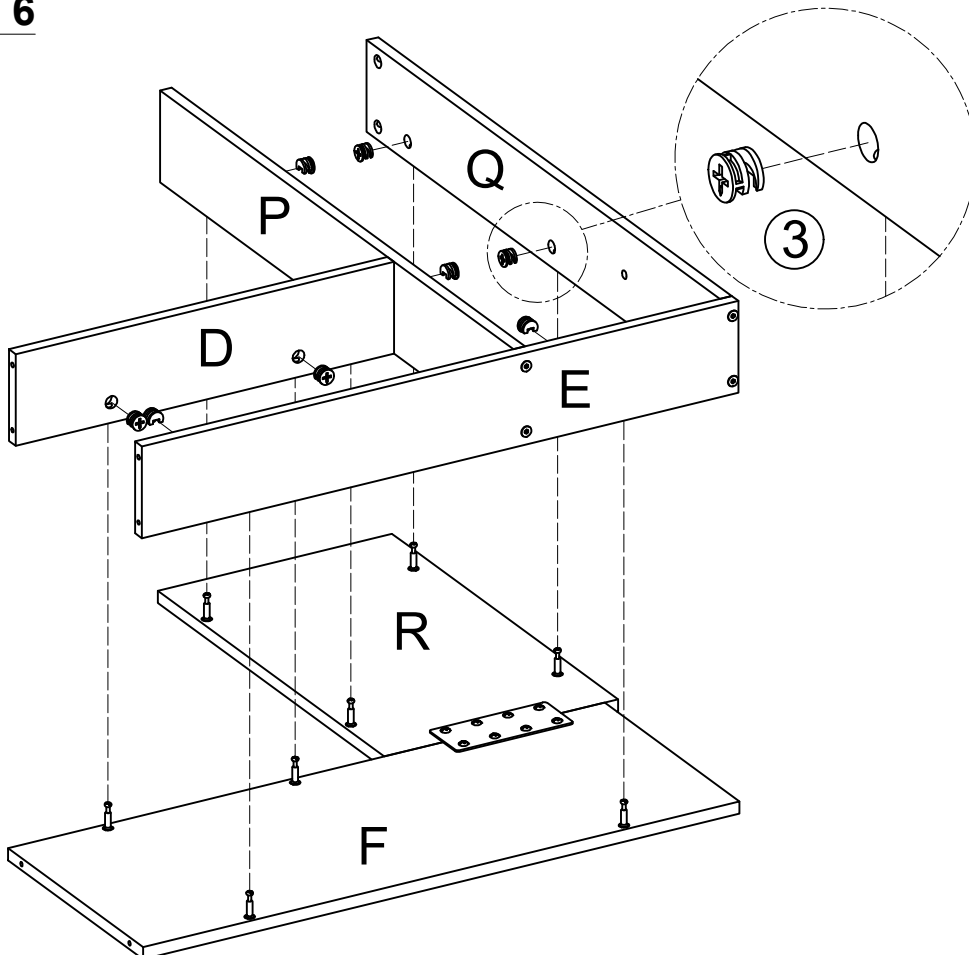
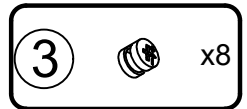
## STEP 5



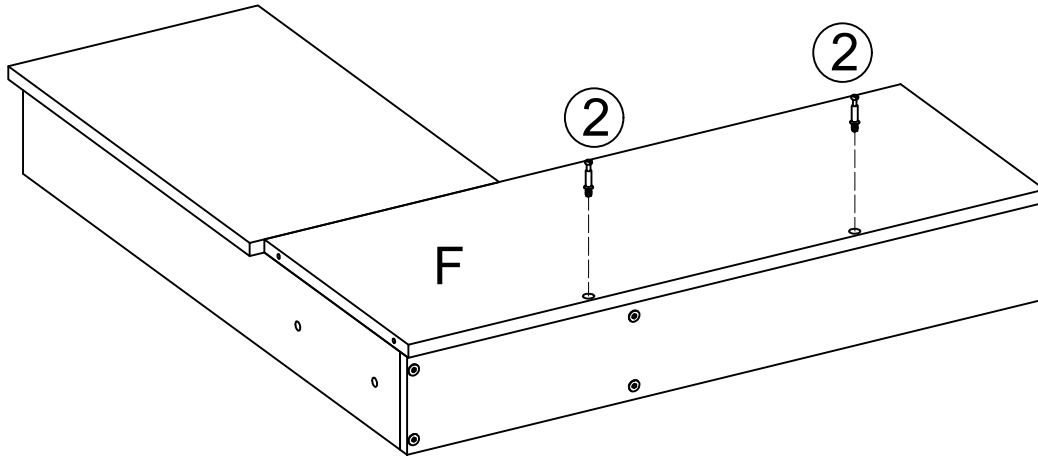
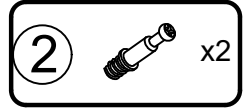
Keep the holes of the Part E, Part P and Part Q toward this direction as shown



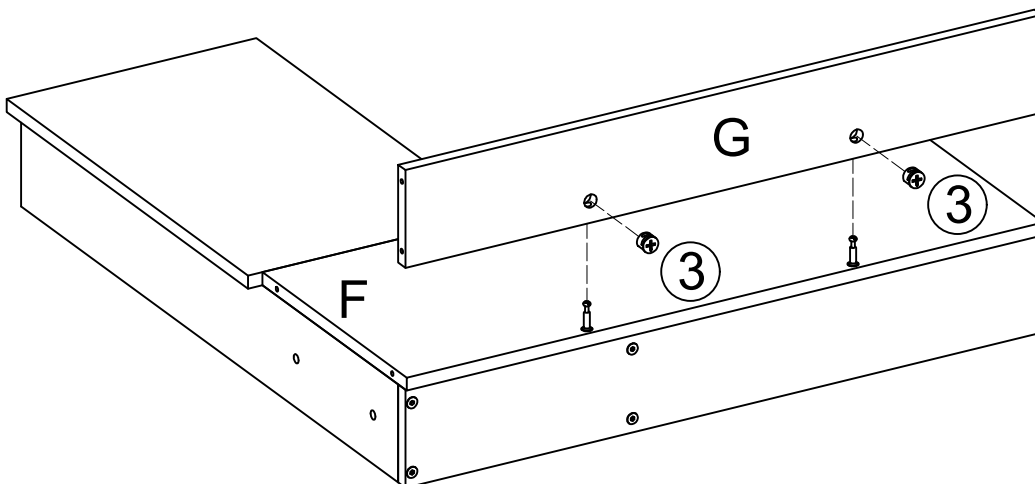
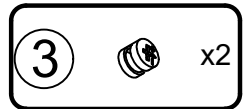
## STEP 6



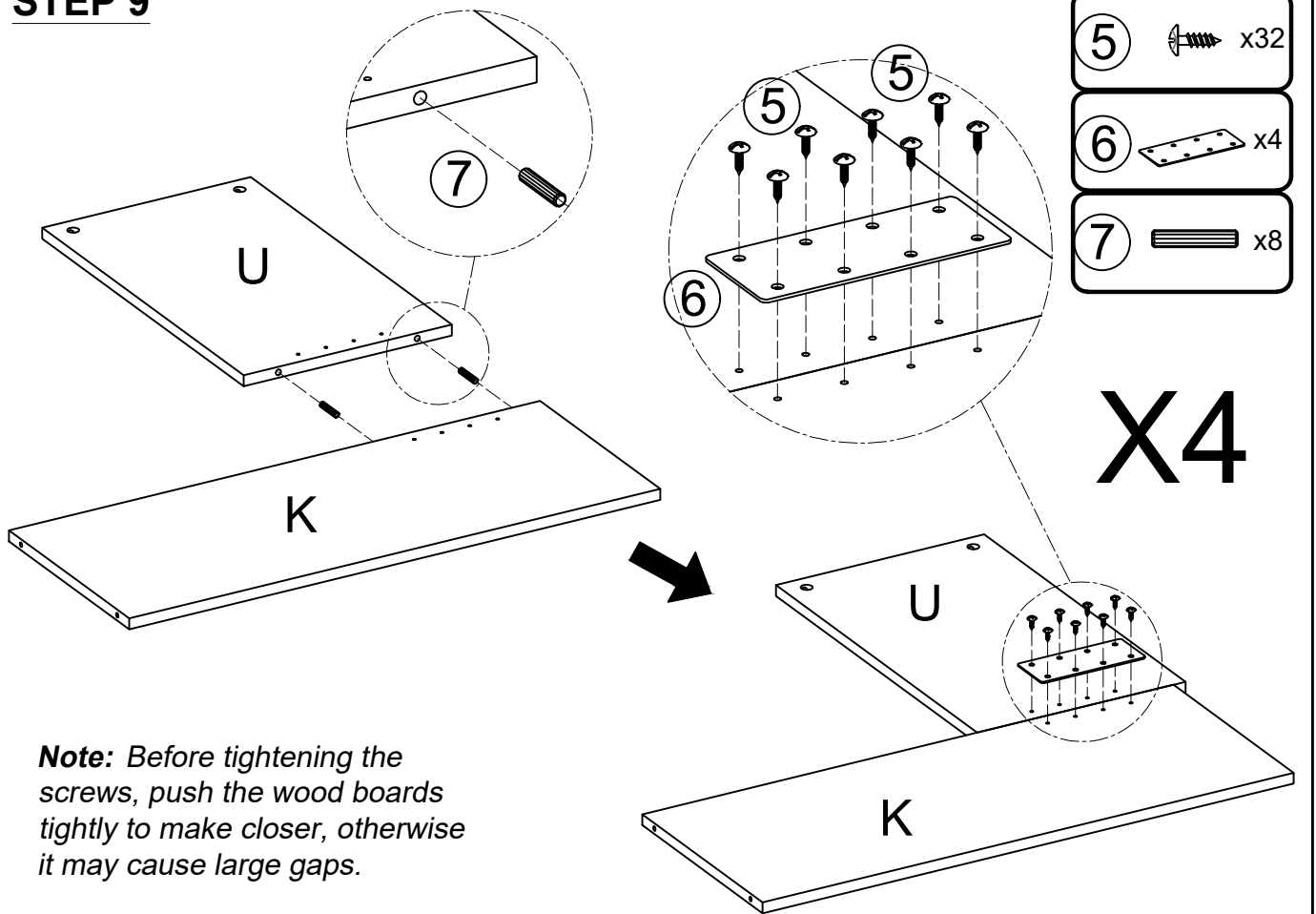
## STEP 7



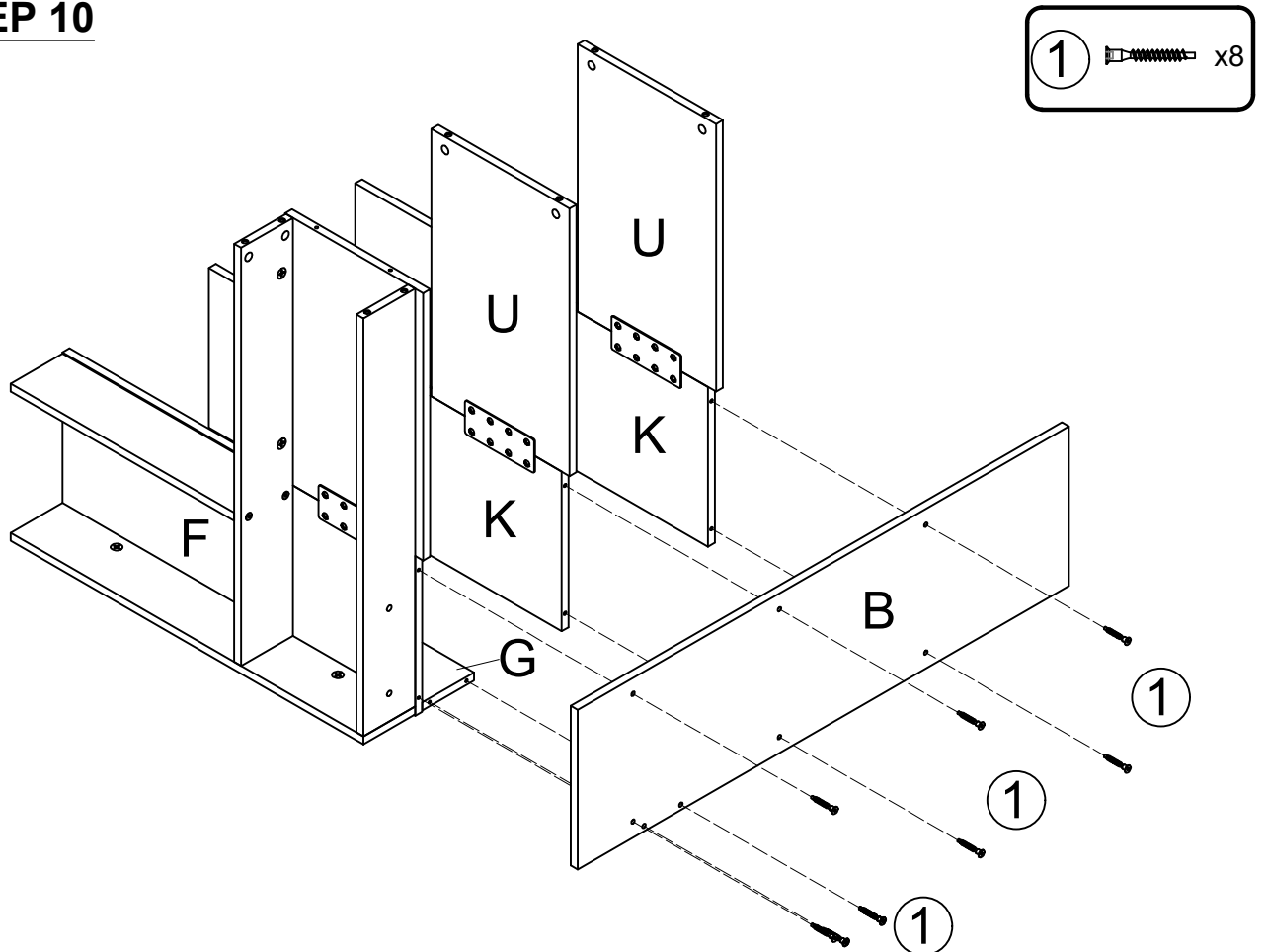
## STEP 8




## STEP 9

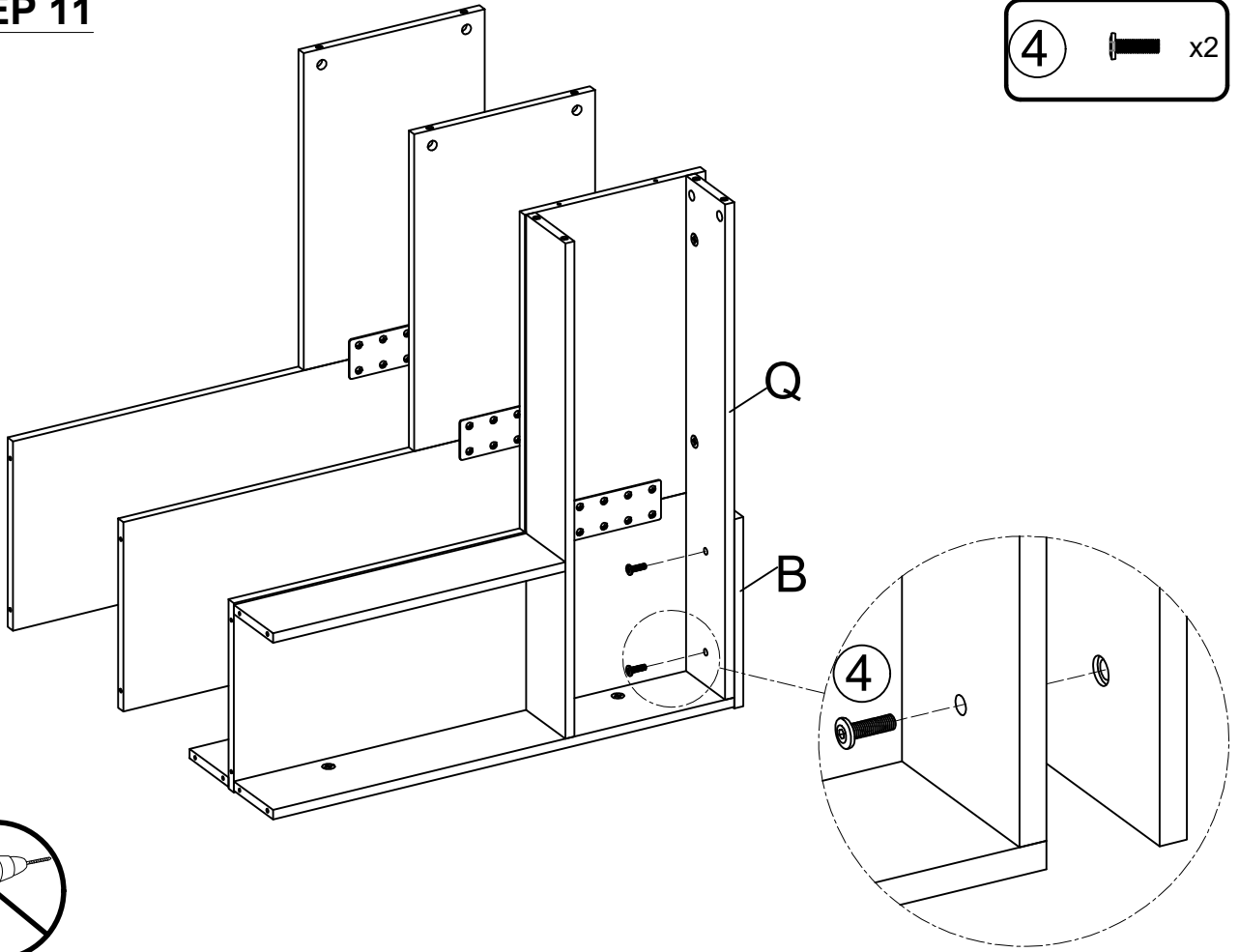


## STEP 10

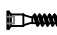


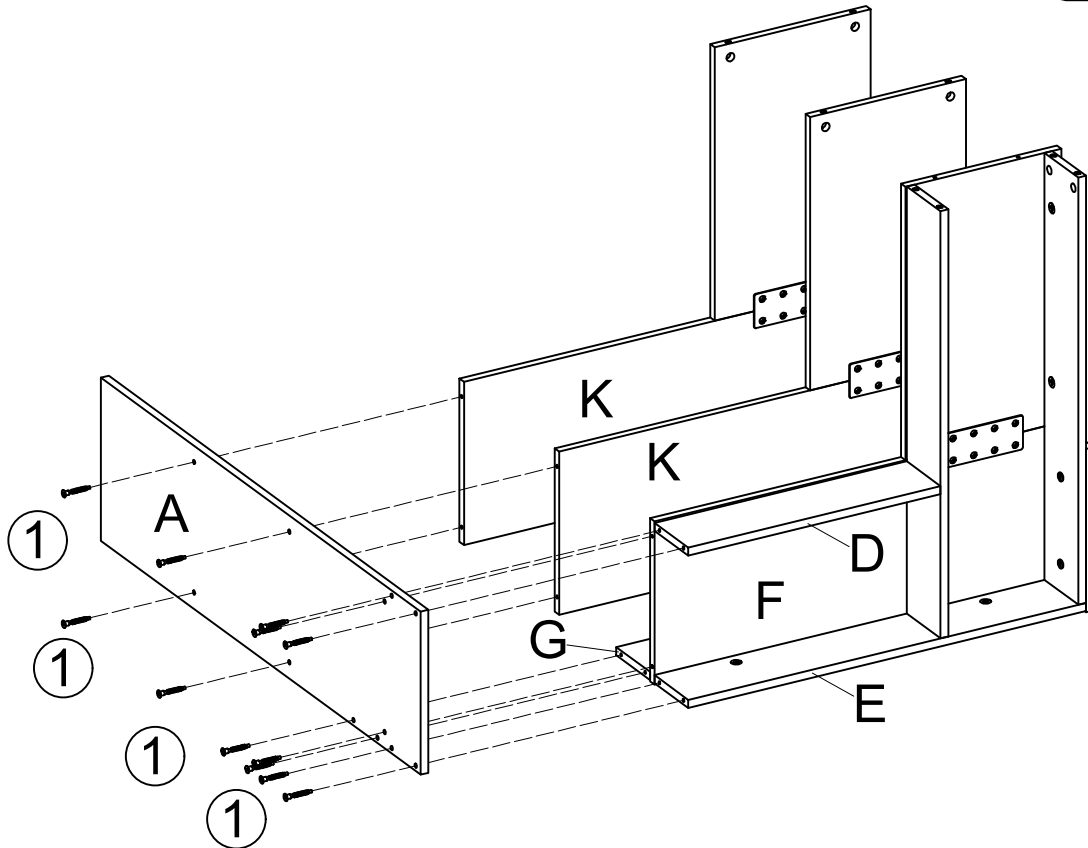
**STEP 11**

④  x2

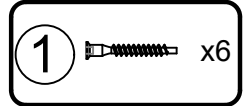


**STEP 12**

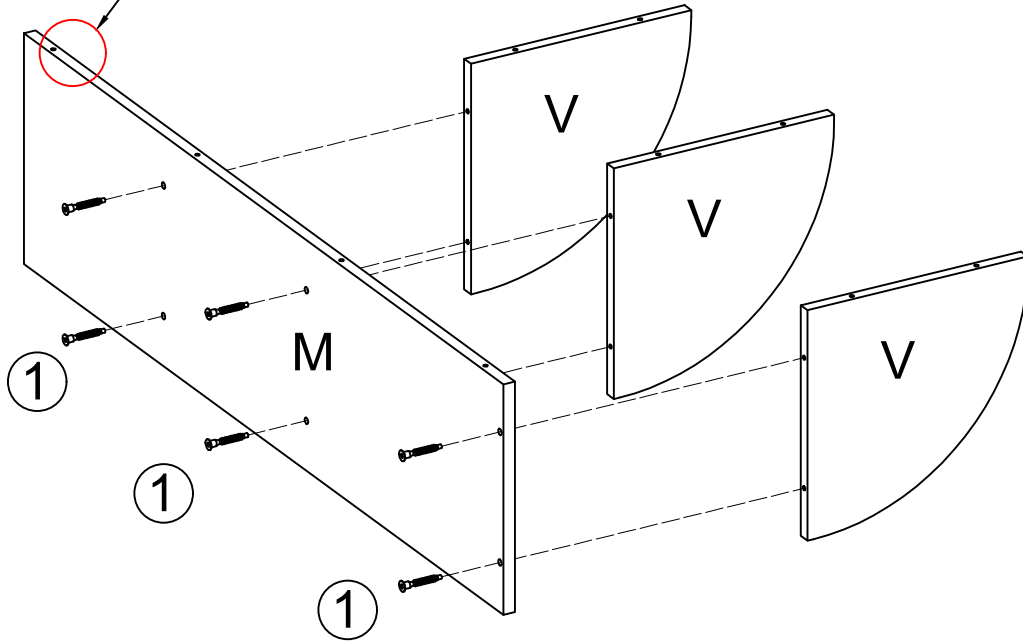
①  x12



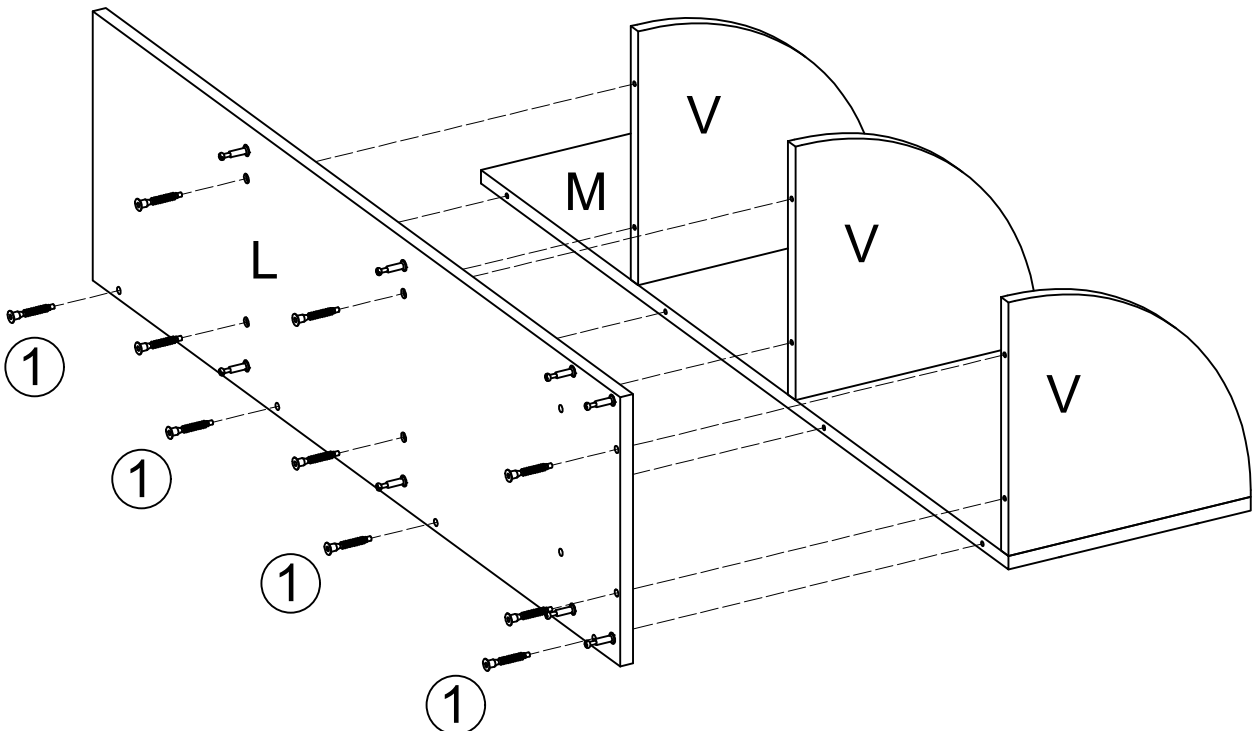
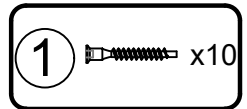
## STEP 13



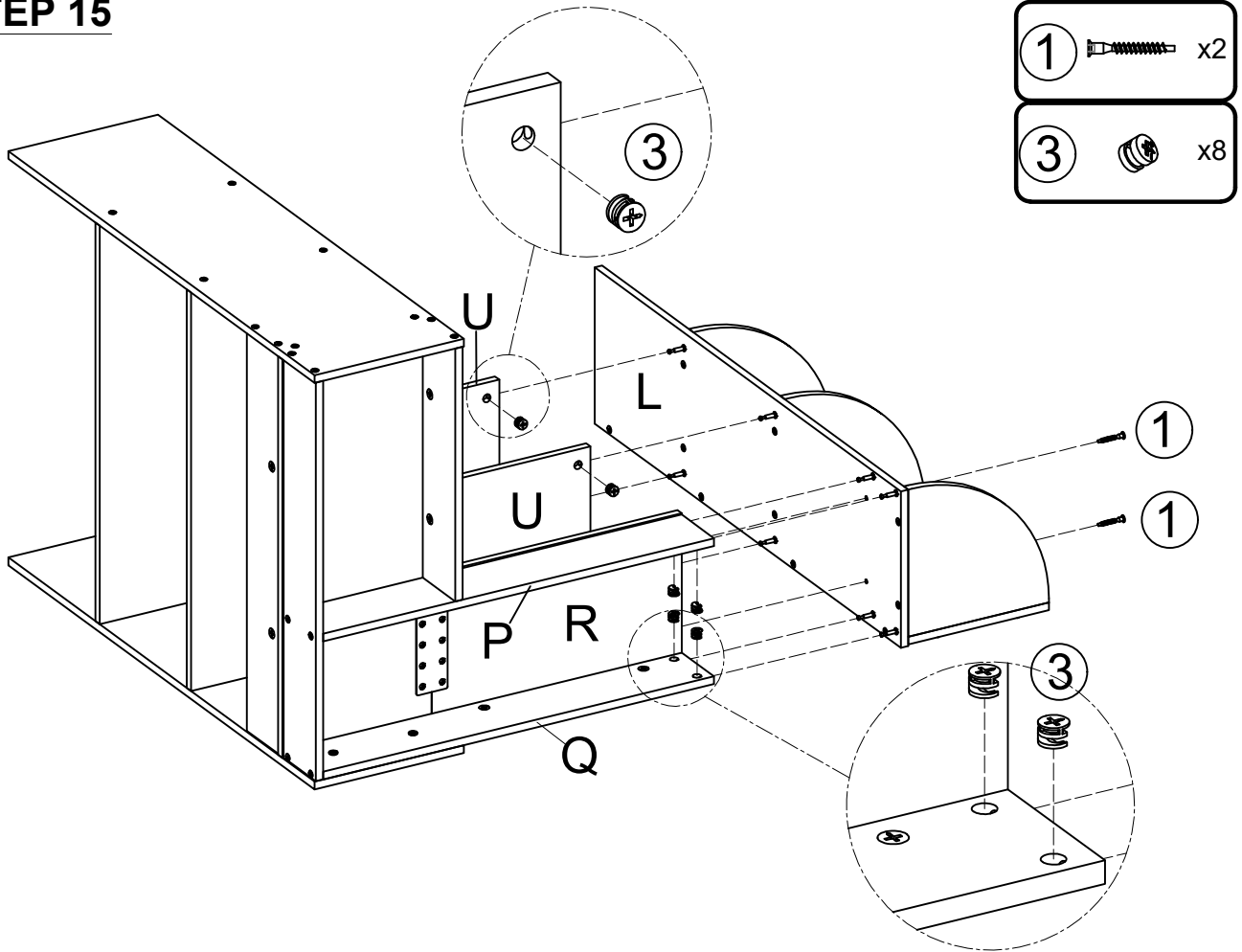
Keep the holes of the Part M  
toward this direction as shown



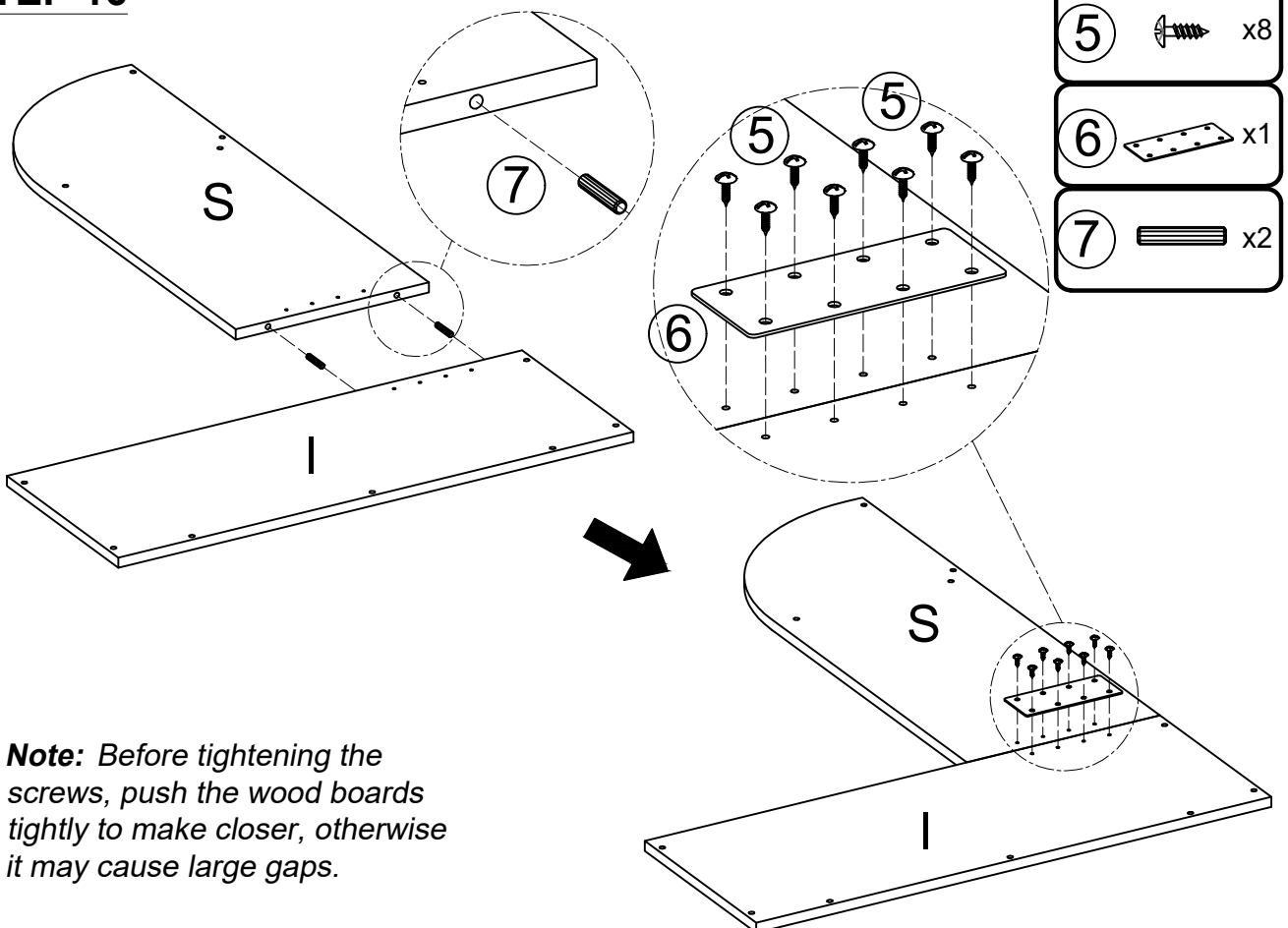
## STEP 14



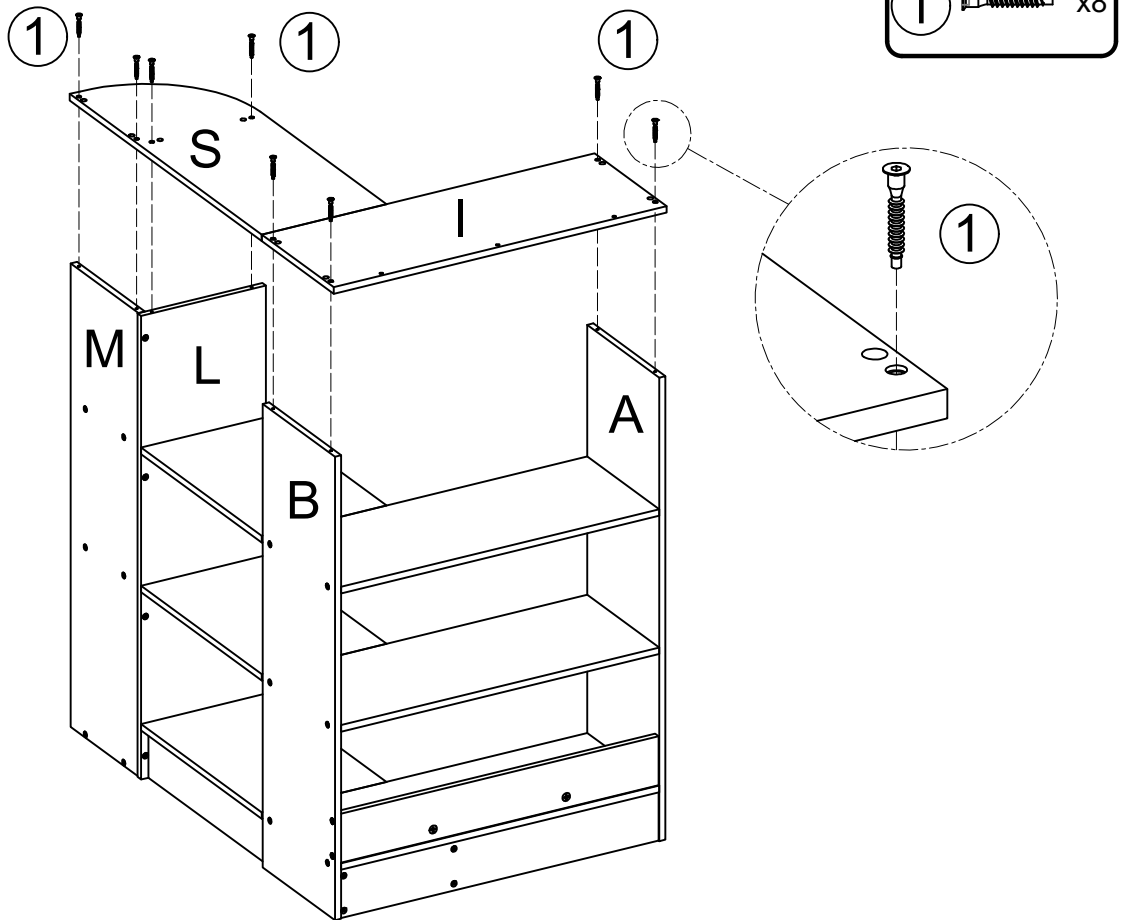
## STEP 15



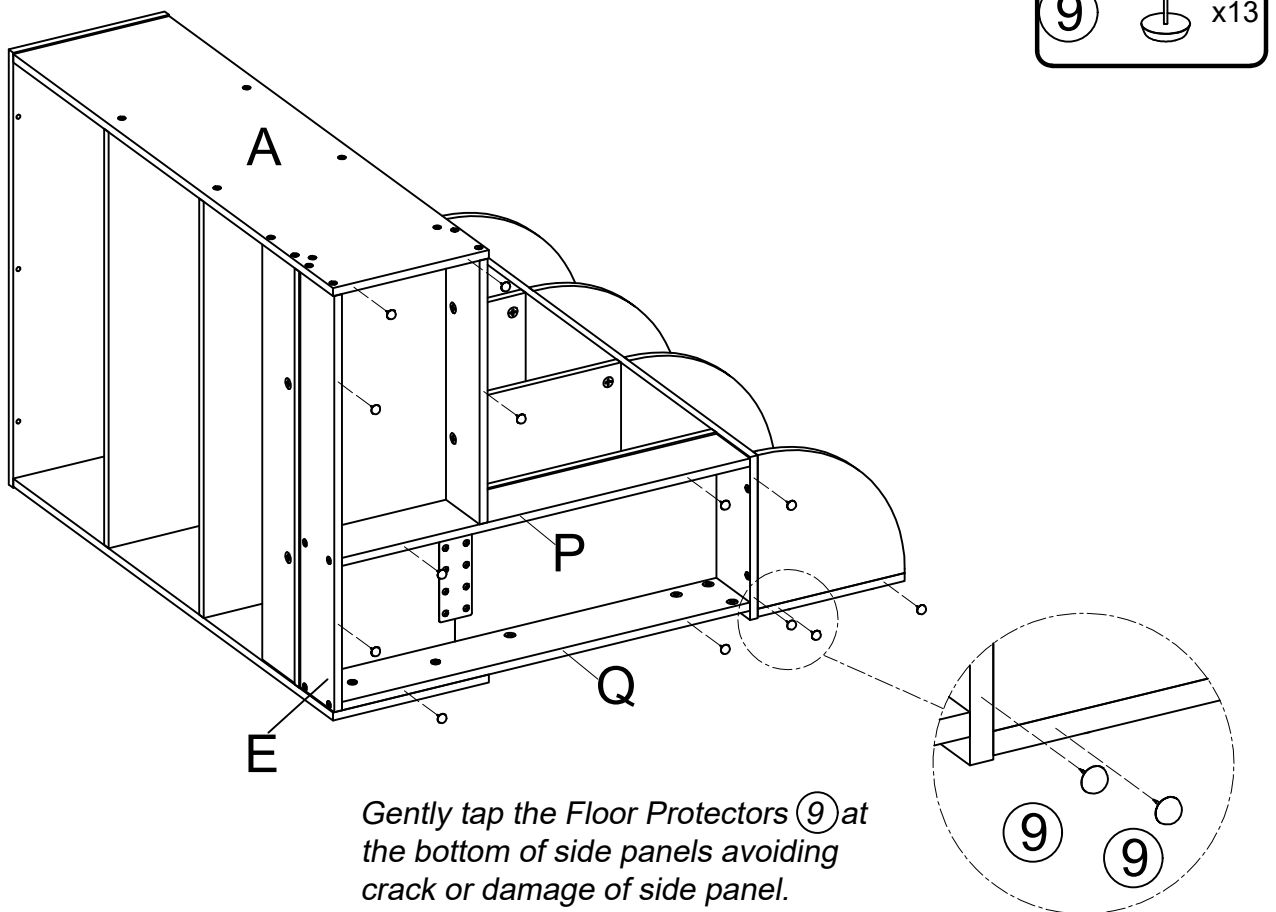
## STEP 16



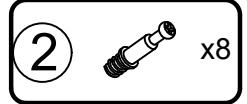
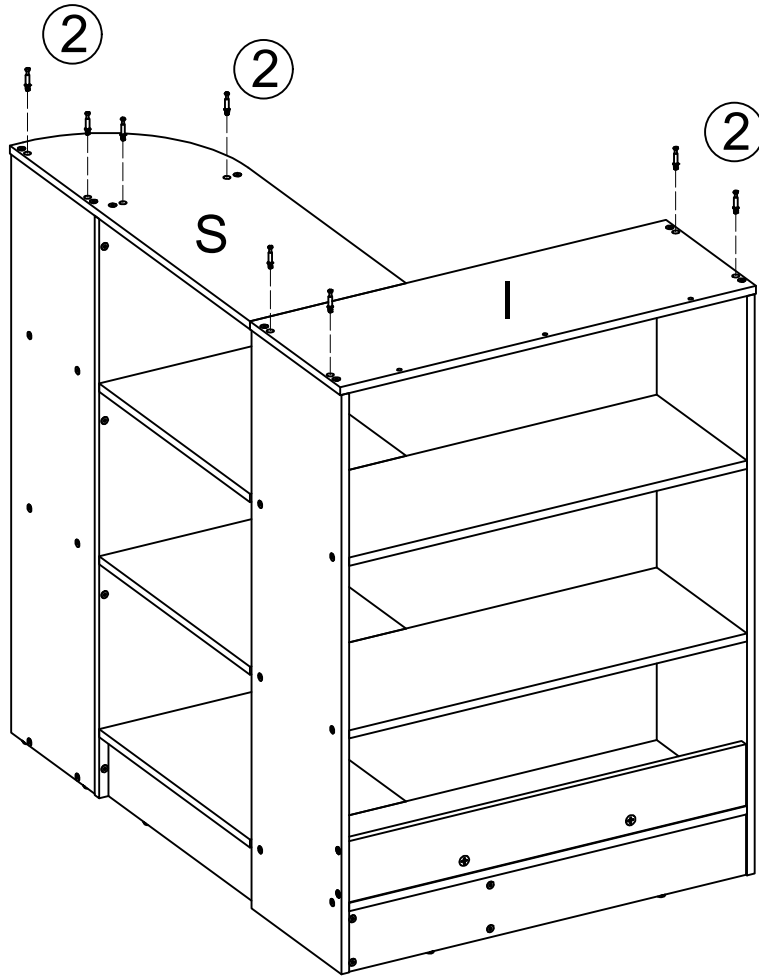
## STEP 17



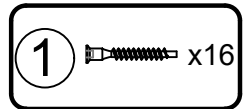
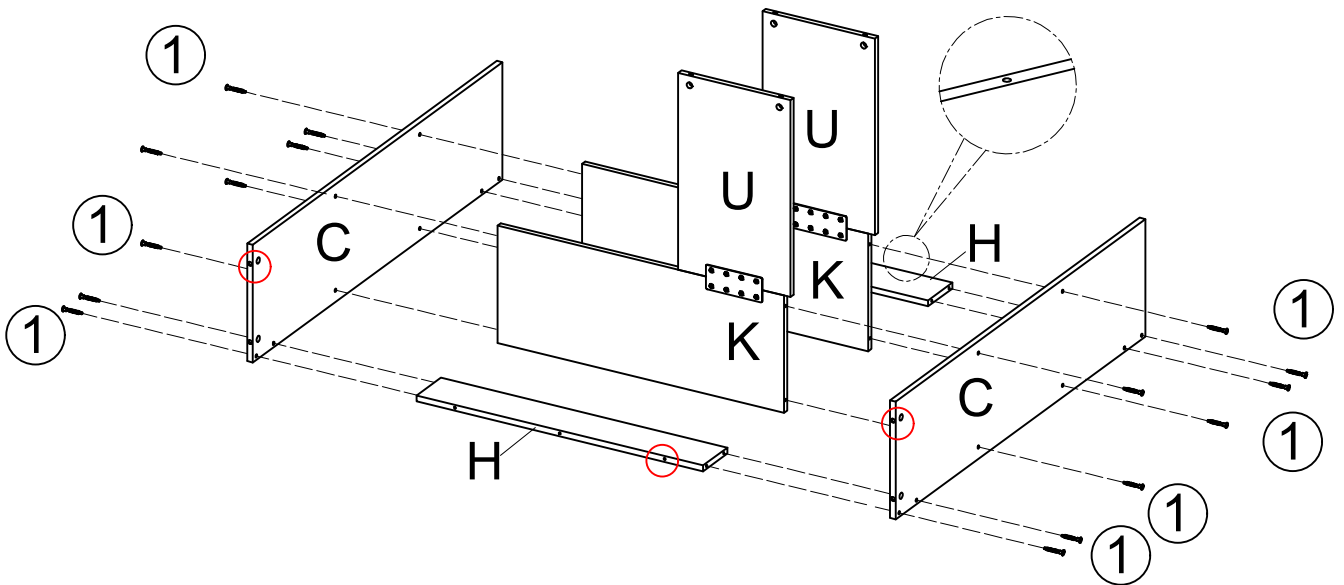
## STEP 18



# STEP 19

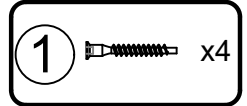


# STEP 20

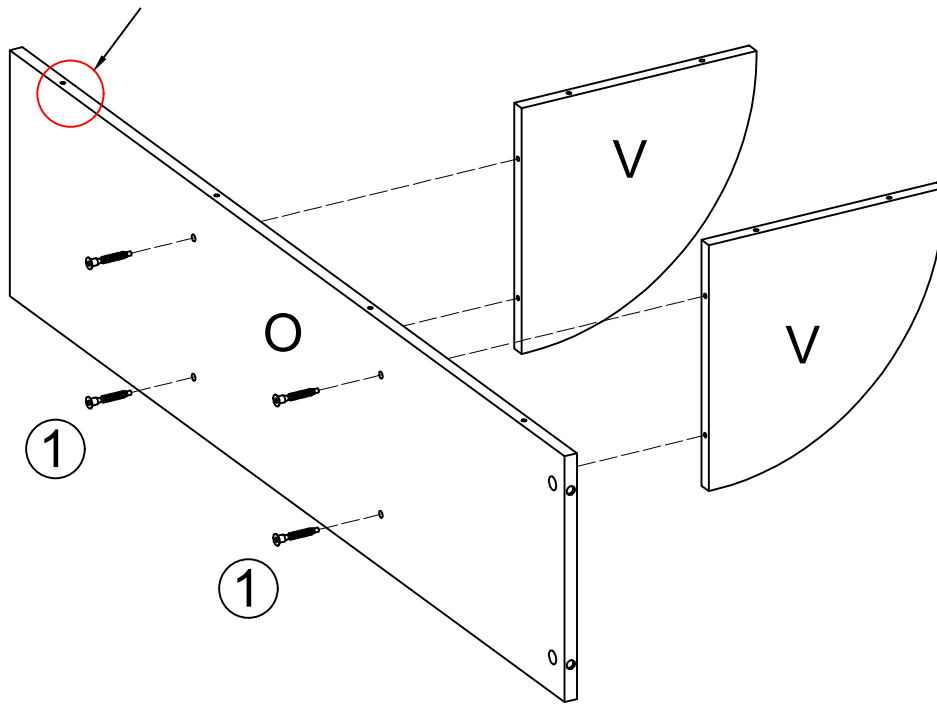


Keep the holes of the Part C, Part K and Part H toward this direction as shown

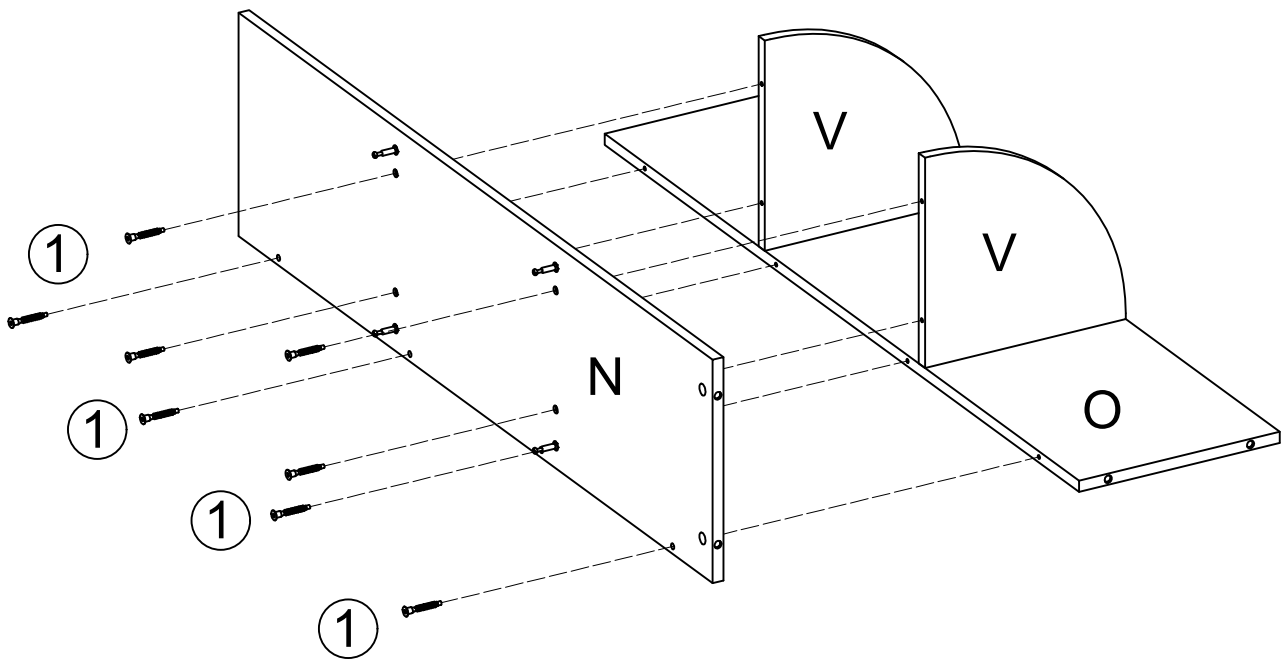
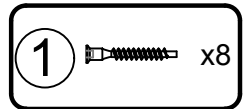
## STEP 21



Keep the holes of the Part O  
toward this direction as shown

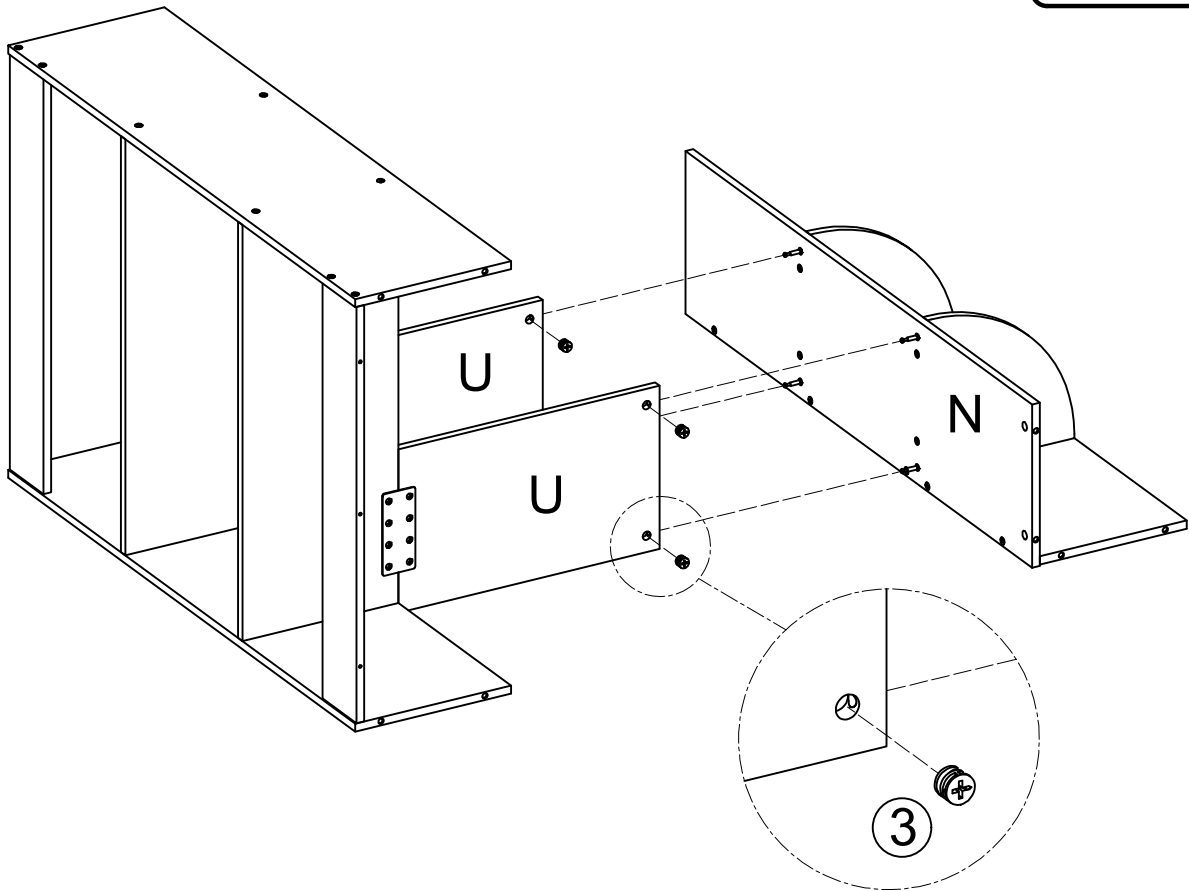


## STEP 22





# STEP 23


3  x4

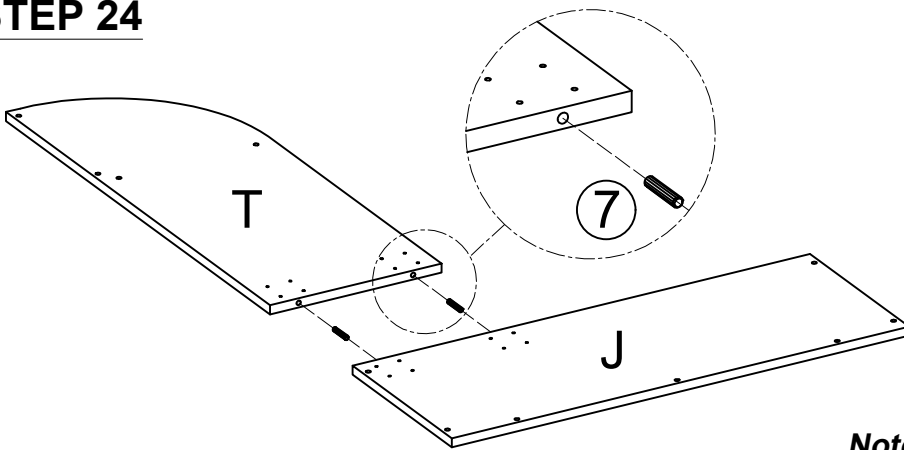


# STEP 24

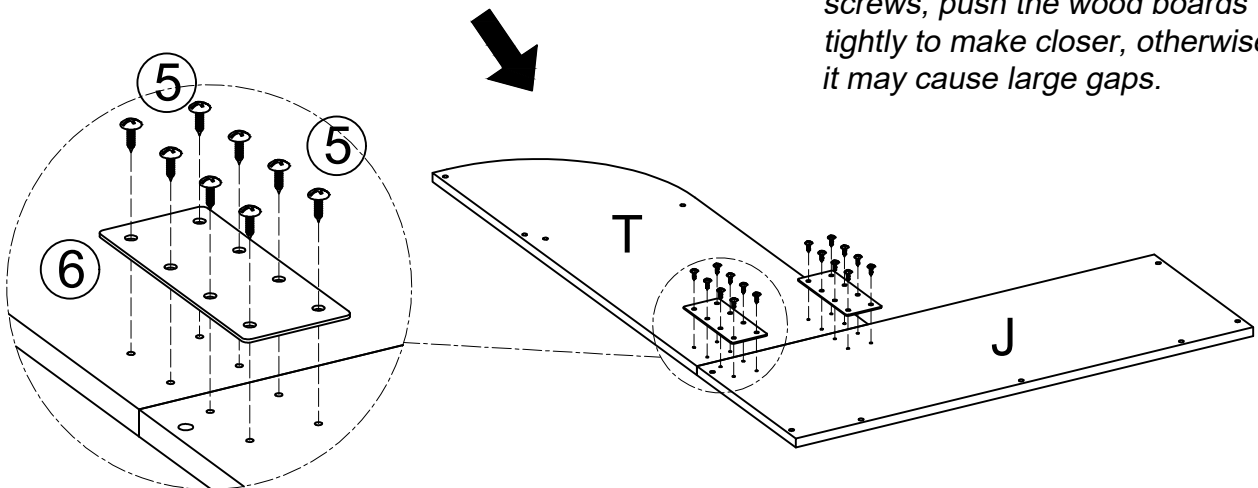
5  x16

6  x2

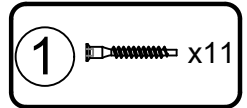
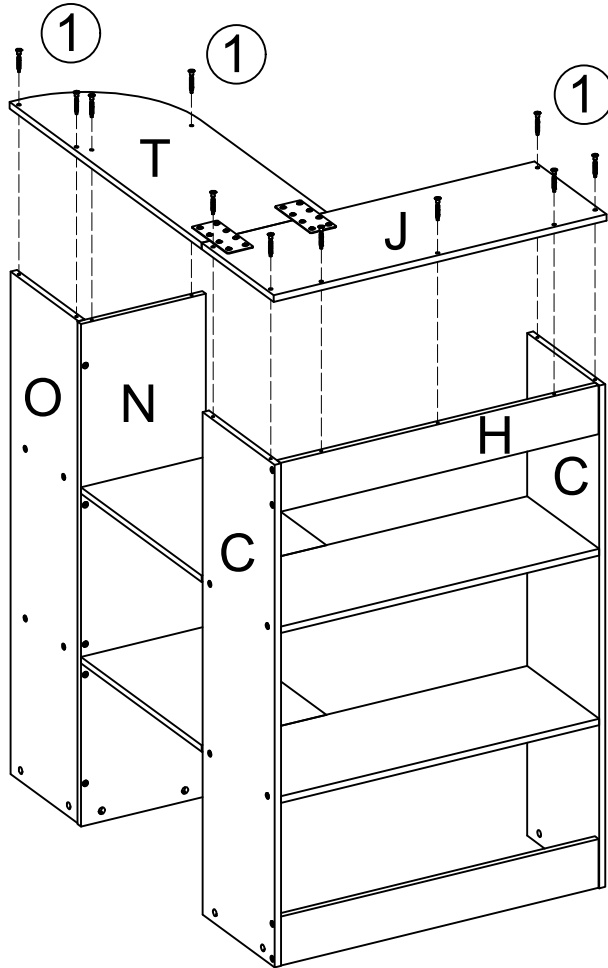
7  x2



**Note:** Before tightening the screws, push the wood boards tightly to make closer, otherwise it may cause large gaps.

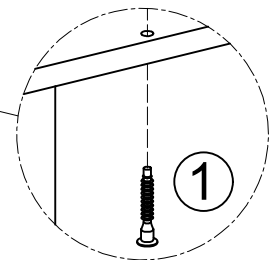
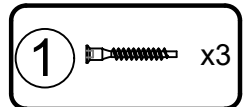
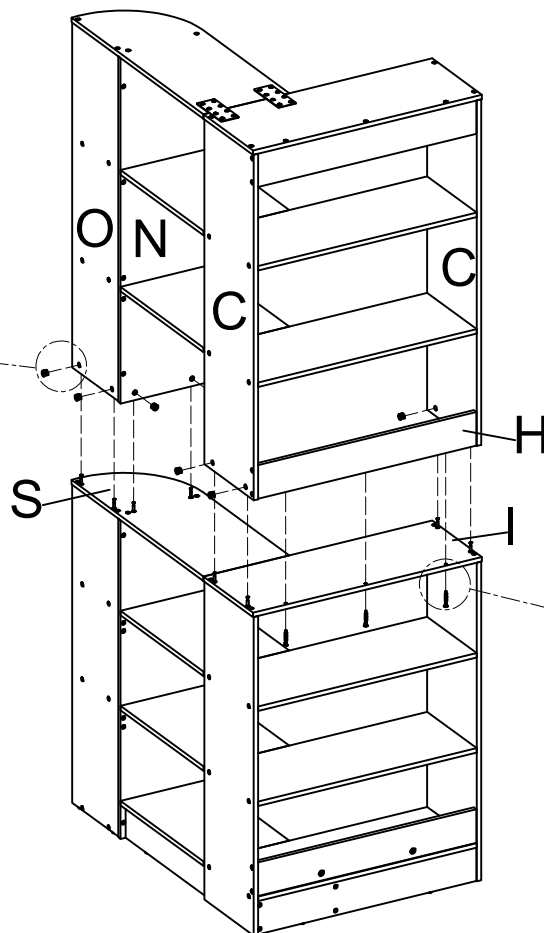
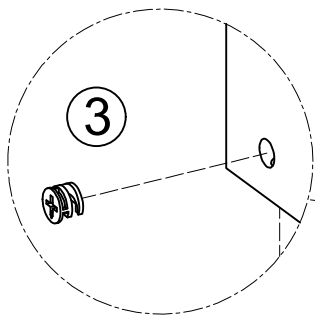


## STEP 25



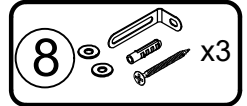
## STEP 26

*We recommend 2 person to assemble.*



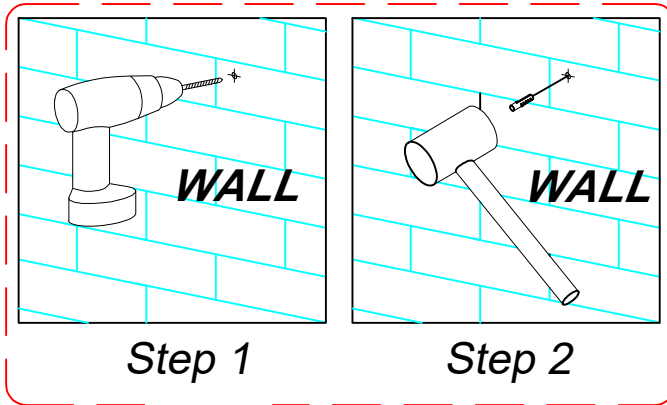
## STEP 27

### TIPPING RESTRAINT HARDWARE



**Note:** We have included three Tipping Restraint Hardware set for this Unit. When properly installed, this restraint can provide protection against the unexpected tipping of the Unit due to small tremors, bumps or climbing. We strongly recommend mounting this hardware to a wall stud and your Unit.

**Note:** You must install the Tipping Restraint Hardware with the unit in use to prevent any accidents or damage to the unit.



Step 1

Step 2

Please unscrew one Part ① screw first, then install Part ⑧

