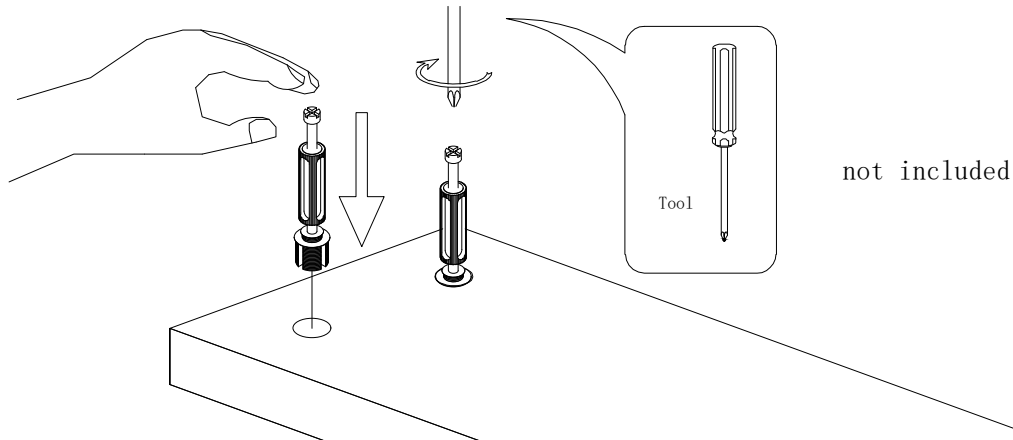




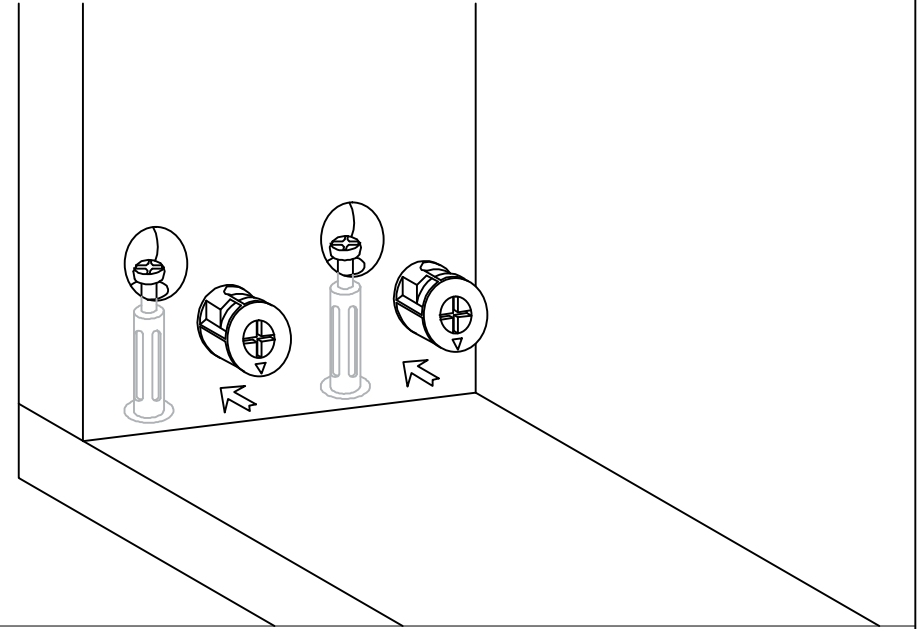
Hardware installation demonstration

NOTE: Please make sure "A" hardware tightened and can't be pulled out!

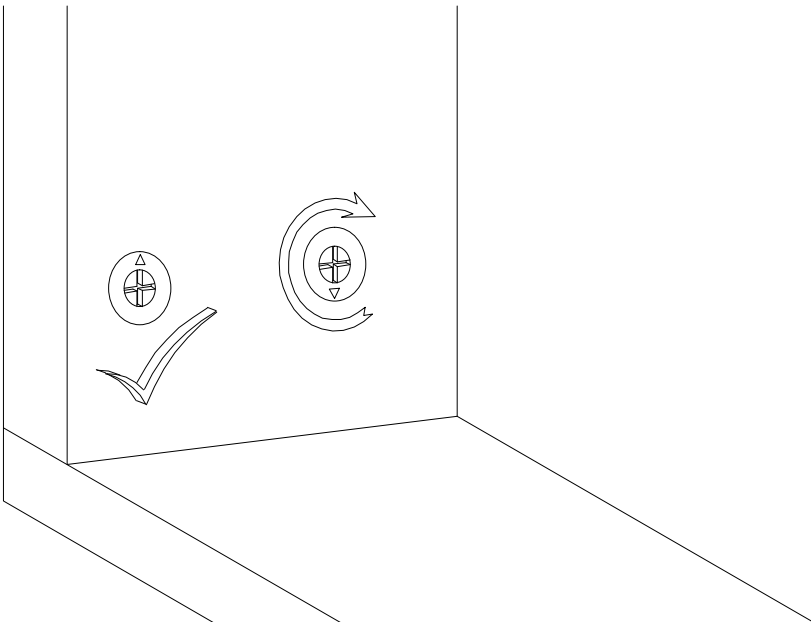
I

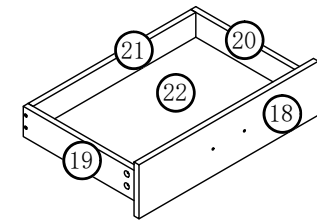
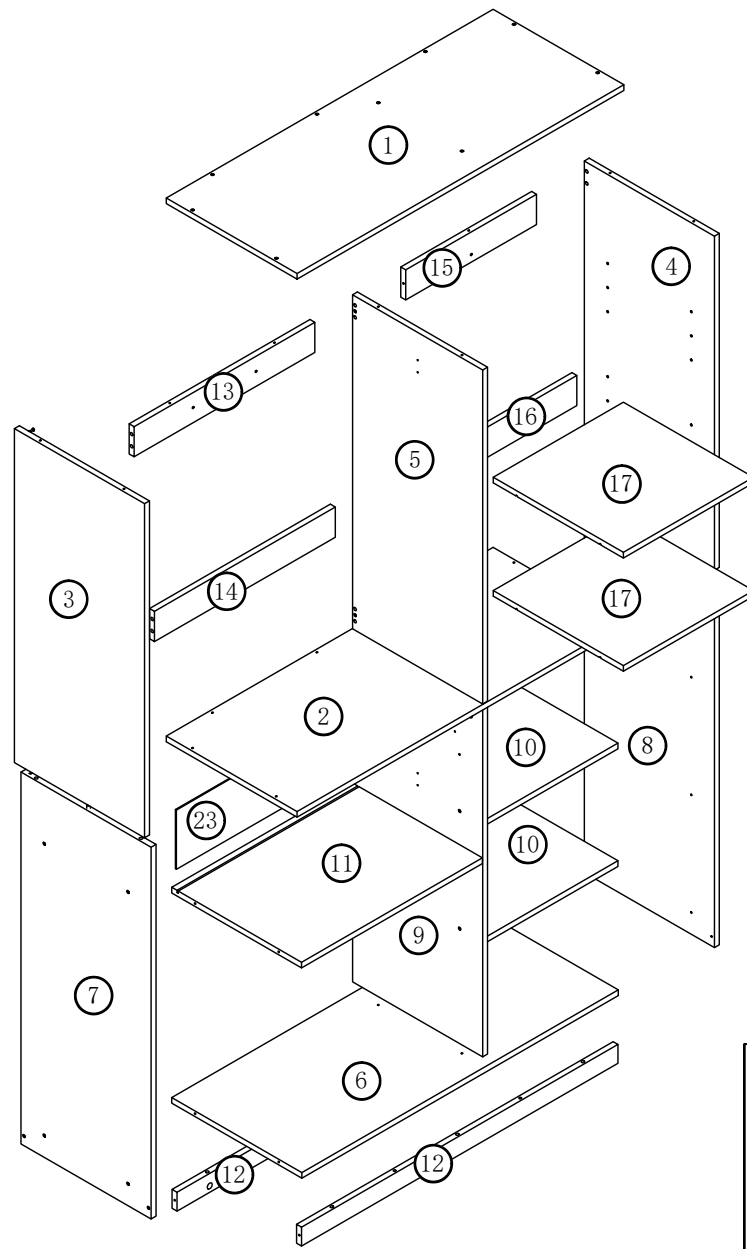


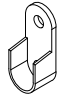
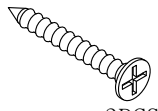



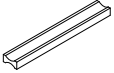
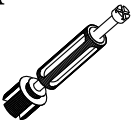

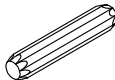
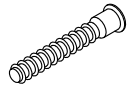

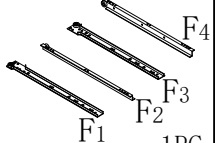
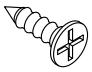
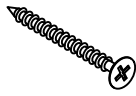

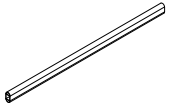
II

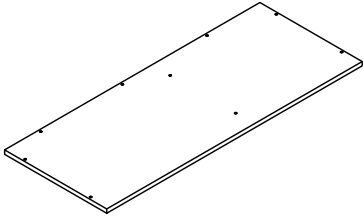
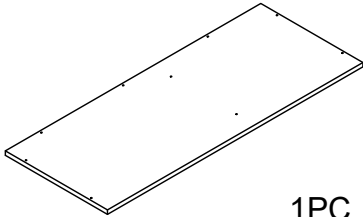
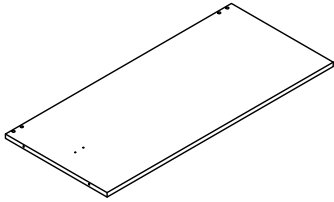
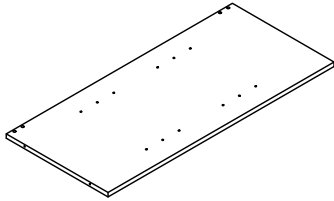
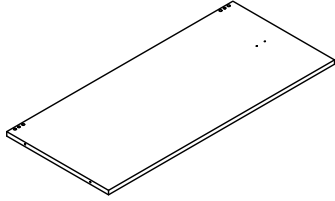
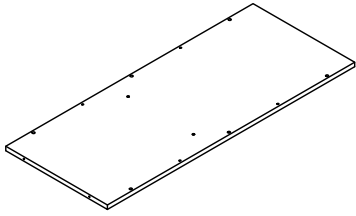
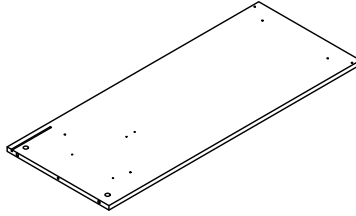
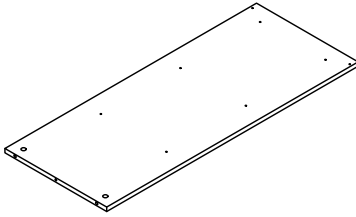
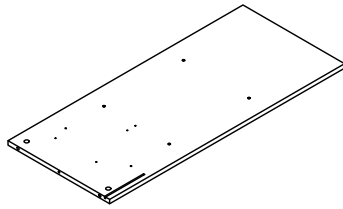
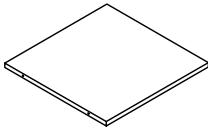
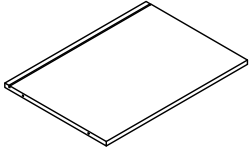
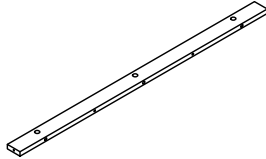
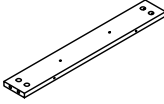
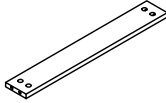
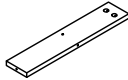
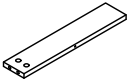
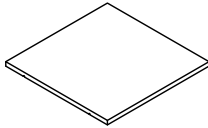
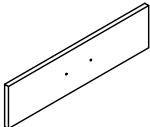
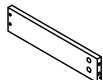



III



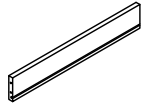


				K	L	M	N	O	P
									
				4PCS	3PCS	3PCS	14PCS	18PCS	1PC
A	B	C	D	E	F	G	H	I	J
									
28PCS	28PCS	7PCS	42PCS	2PCS	1PC	16PCS	4PCS	8PCS	2PCS

<p>1</p> <p>1000*400 (mm) 39.37*15.75 (inch)</p>  <p>1PC</p>	<p>2</p> <p>1000*400 (mm) 39.37*15.75 (inch)</p>  <p>1PC</p>	<p>3</p> <p>885*398 (mm) 34.84*15.67 (inch)</p>  <p>1PC</p>	<p>4</p> <p>885*398 (mm) 34.84*15.67 (inch)</p>  <p>1PC</p>	<p>5</p> <p>885*398 (mm) 34.84*15.67 (inch)</p>  <p>1PC</p>
<p>6</p> <p>968*398 (mm) 38.11*15.67 (inch)</p>  <p>1PC</p>	<p>7</p> <p>985*398 (mm) 38.78*15.67 (inch)</p>  <p>1PC</p>	<p>8</p> <p>985*398 (mm) 38.78*15.67 (inch)</p>  <p>1PC</p>	<p>9</p> <p>920*398 (mm) 36.22*15.67 (inch)</p>  <p>1PC</p>	<p>10</p> <p>400*397 (mm) 15.75*15.63 (inch)</p>  <p>2PCS</p>
<p>11</p> <p>553*397 (mm) 21.78*15.63 (inch)</p>  <p>1PC</p>	<p>12</p> <p>968*50 (mm) 38.11*1.97 (inch)</p>  <p>2PCS</p>	<p>13</p> <p>553*80 (mm) 21.78*3.15 (inch)</p>  <p>1PC</p>	<p>14</p> <p>553*80 (mm) 21.78*3.15 (inch)</p>  <p>1PC</p>	<p>15</p> <p>400*80 (mm) 15.75*3.15 (inch)</p>  <p>1PC</p>
<p>16</p> <p>400*80 (mm) 15.75*3.15 (inch)</p>  <p>1PC</p>	<p>17</p> <p>397*397 (mm) 15.63*15.63 (inch)</p>  <p>2PCS</p>	<p>18</p> <p>549*143 (mm) 21.61*5.63 (inch)</p>  <p>1PC</p>	<p>19</p> <p>350*80 (mm) 13.78*3.15 (inch)</p>  <p>1PC</p>	<p>20</p> <p>350*80 (mm) 13.78*3.15 (inch)</p>  <p>1PC</p>

21

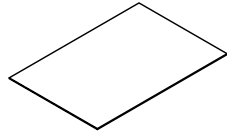
498*80 (mm)
19.61*3.15 (inch)



1PC

22

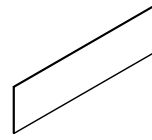
508*345 (mm)
20*13.58 (inch)



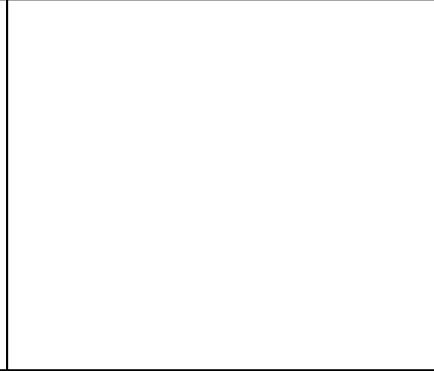
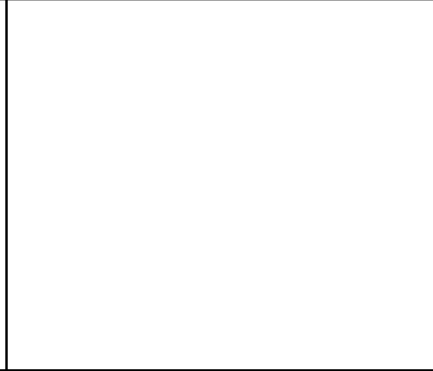
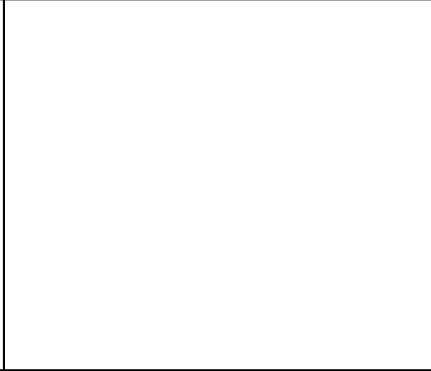
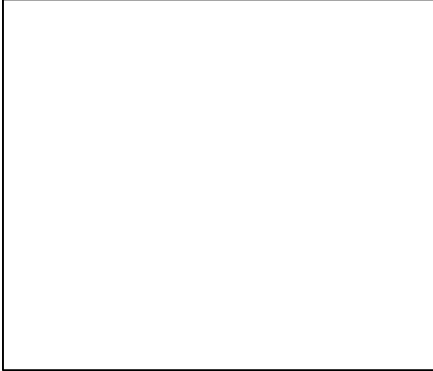
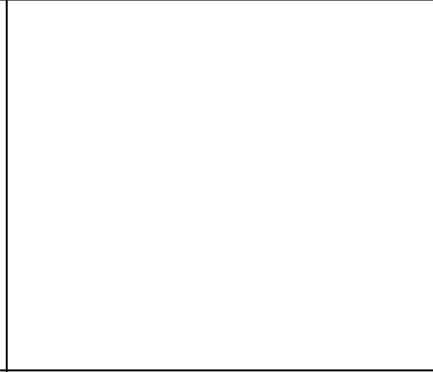
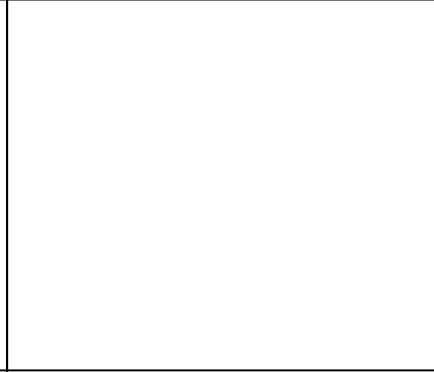
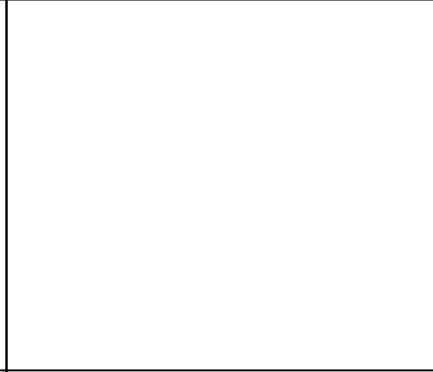
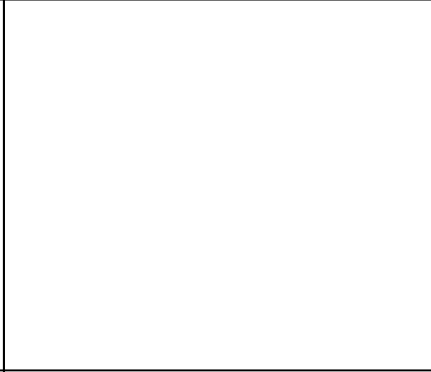
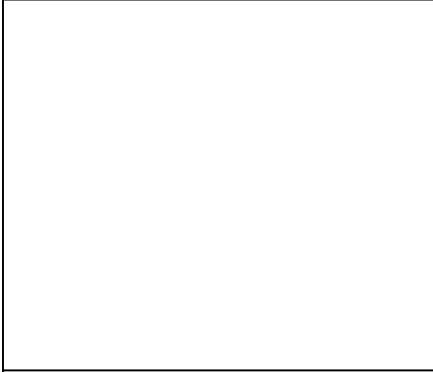
1PC

23

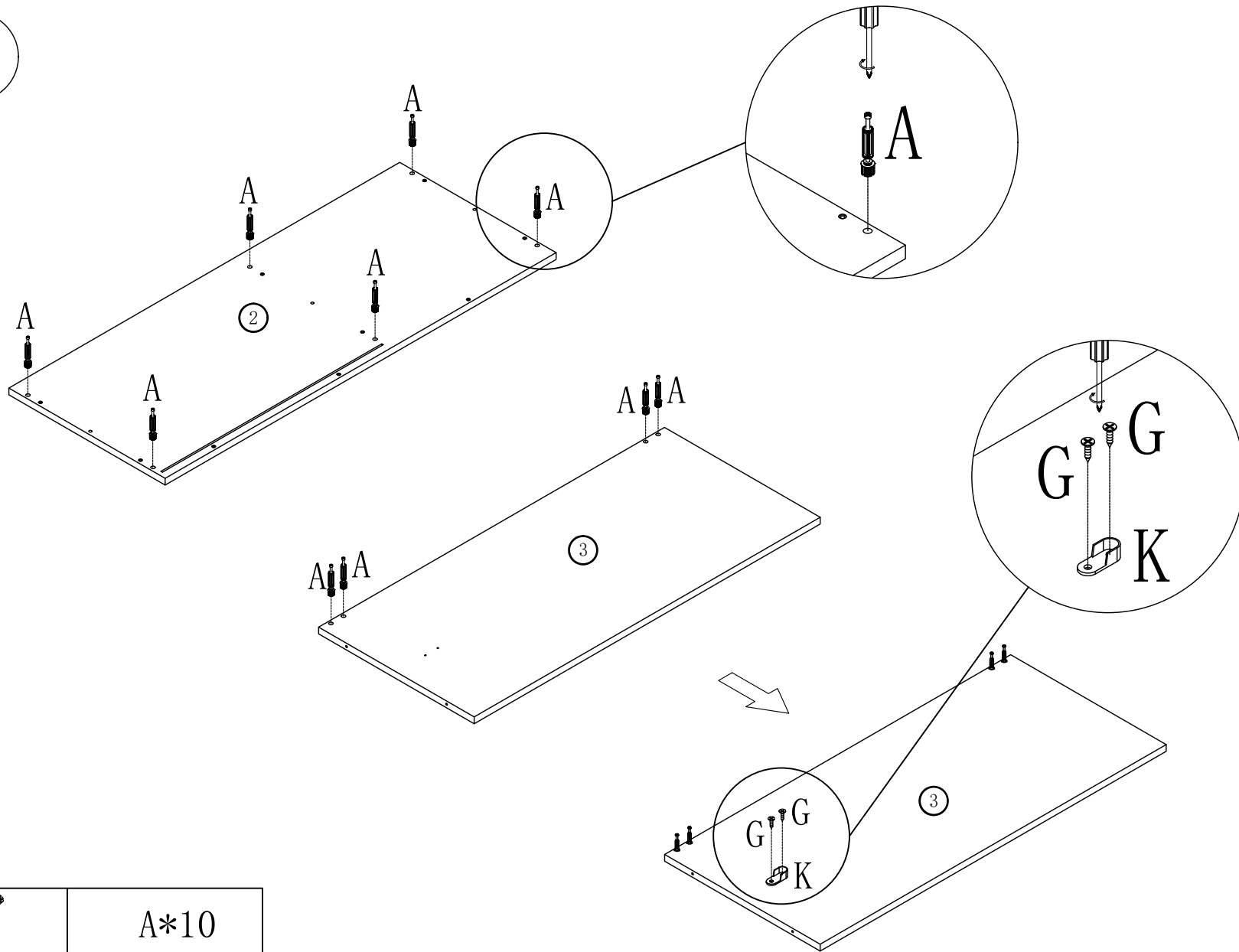
563*157 (mm)
22.17*6.18 (inch)



1PC



1

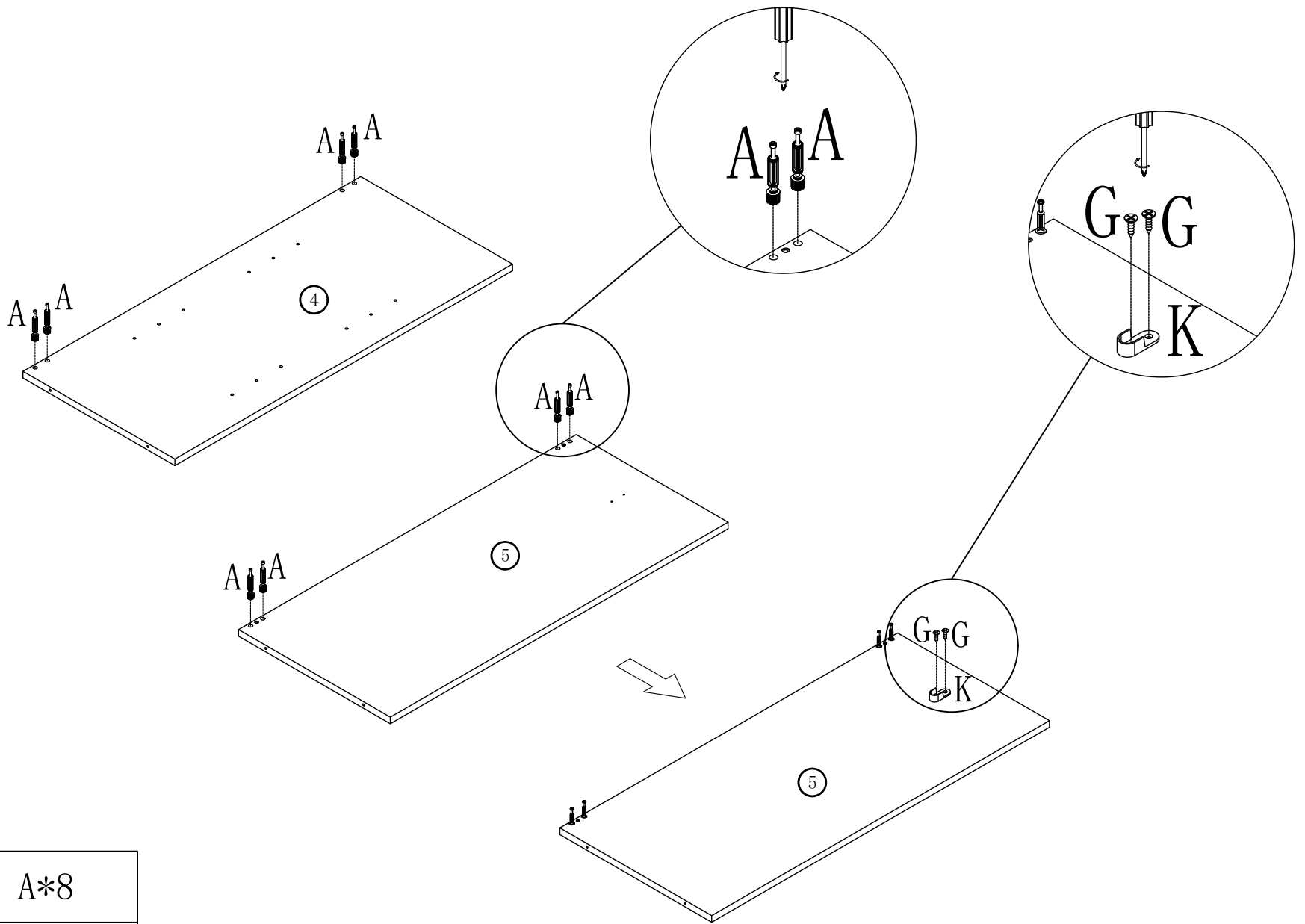



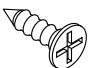
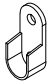
	A*10
	G*2
	K*1

put A on board (2) (3)

put K on board (3)

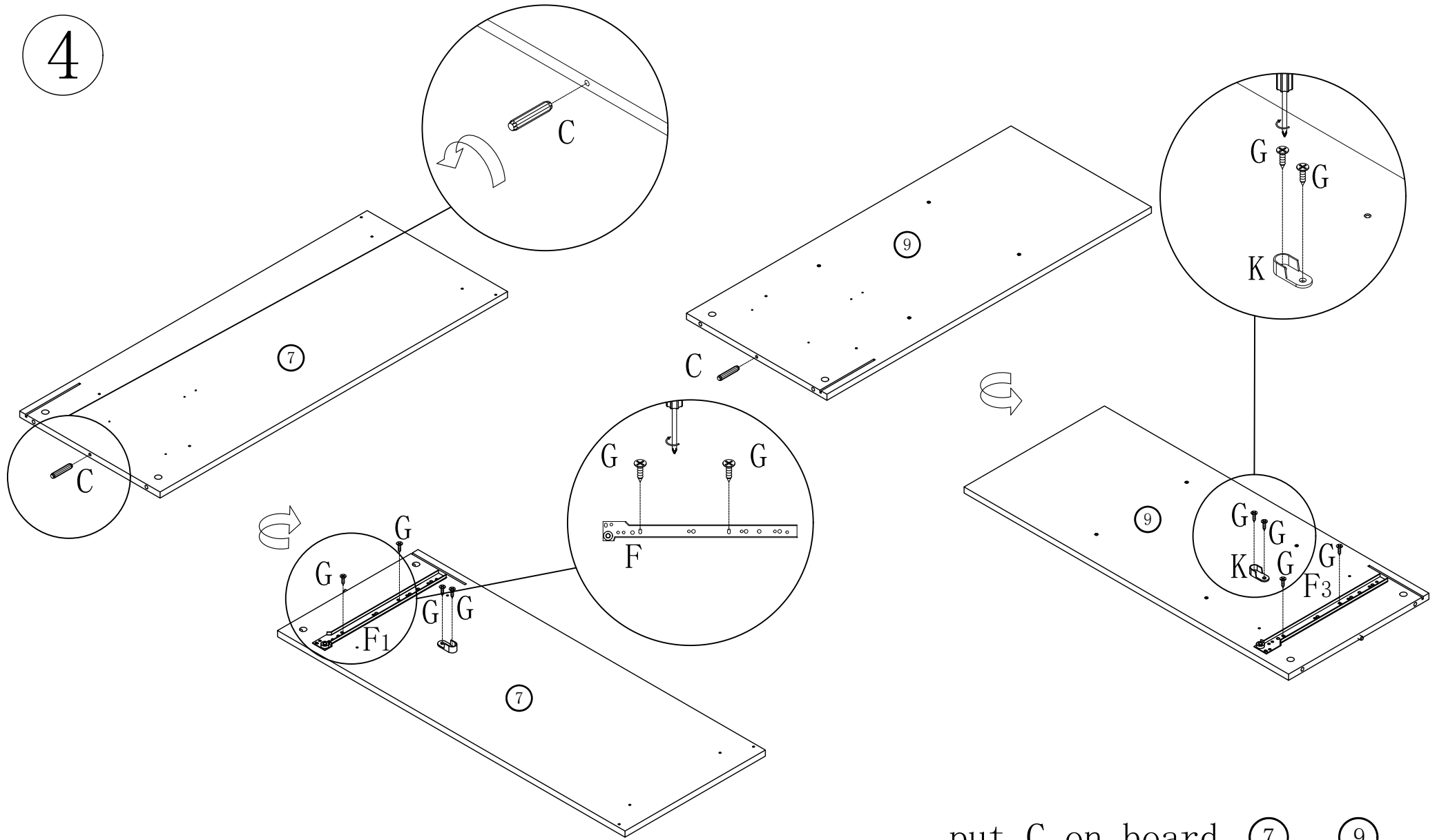
2



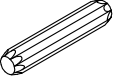
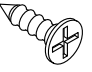
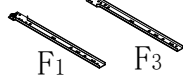
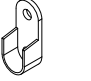
	A*8
	G*2
	K*1

put A on board (4) (5)
put K on board (5)

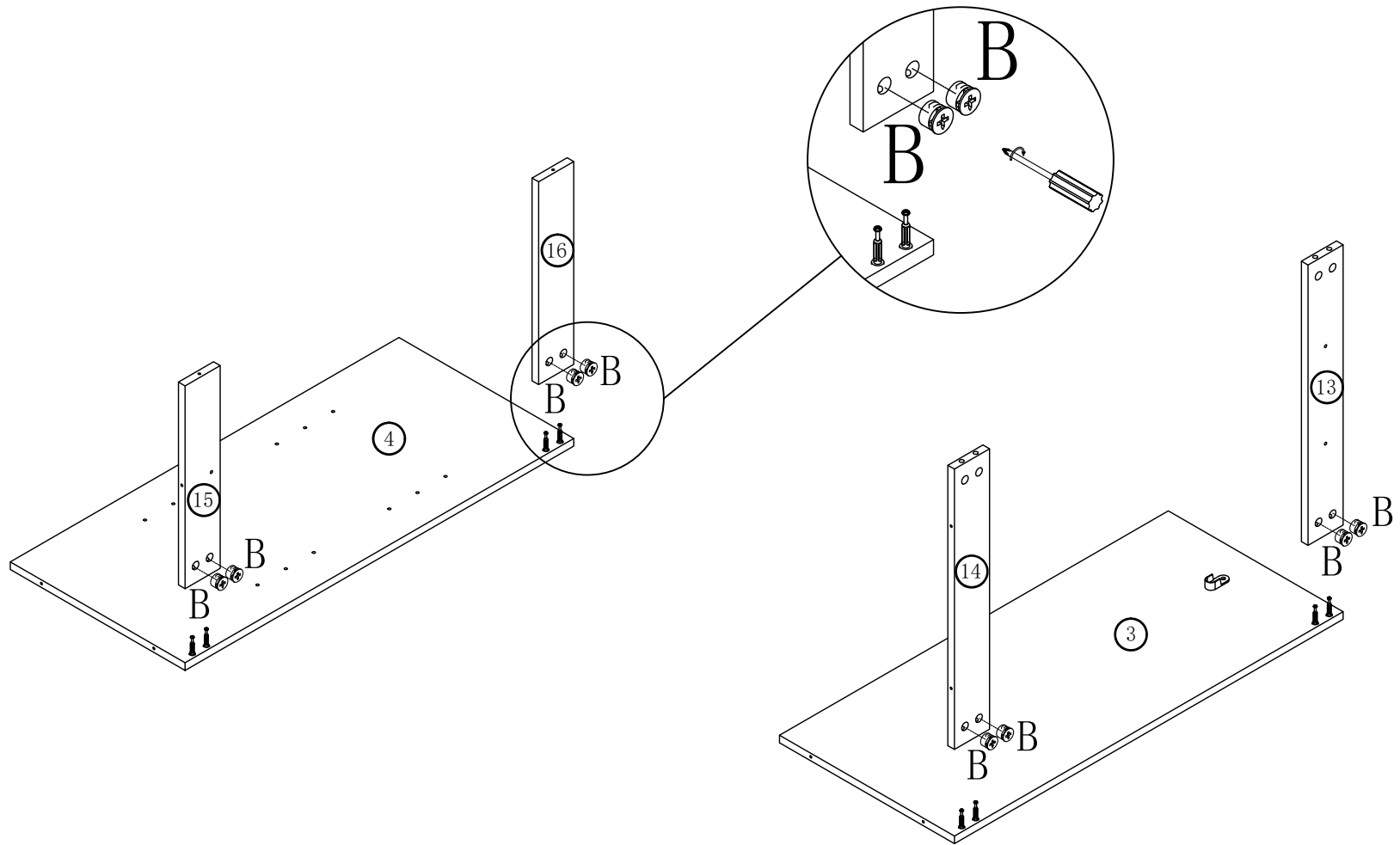
4



put C on board ⑦ ⑨
 put F on board ⑦ ⑨
 put K on board ⑦ ⑨

	C*2		G*8
	F*1		K*2

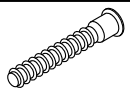
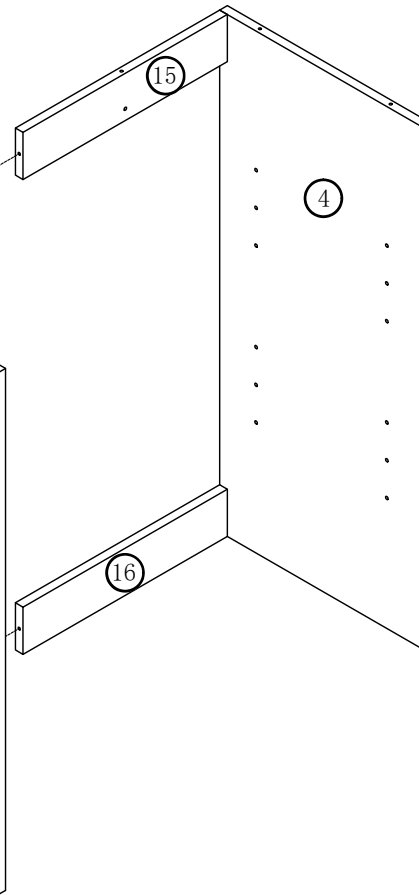
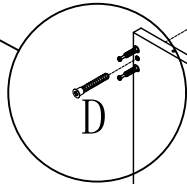
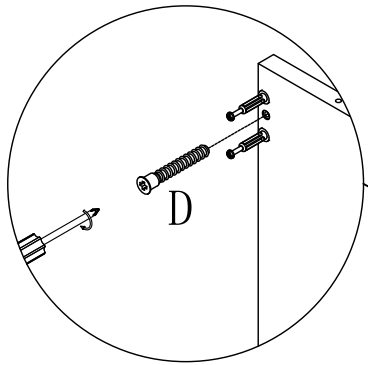
5



B*8

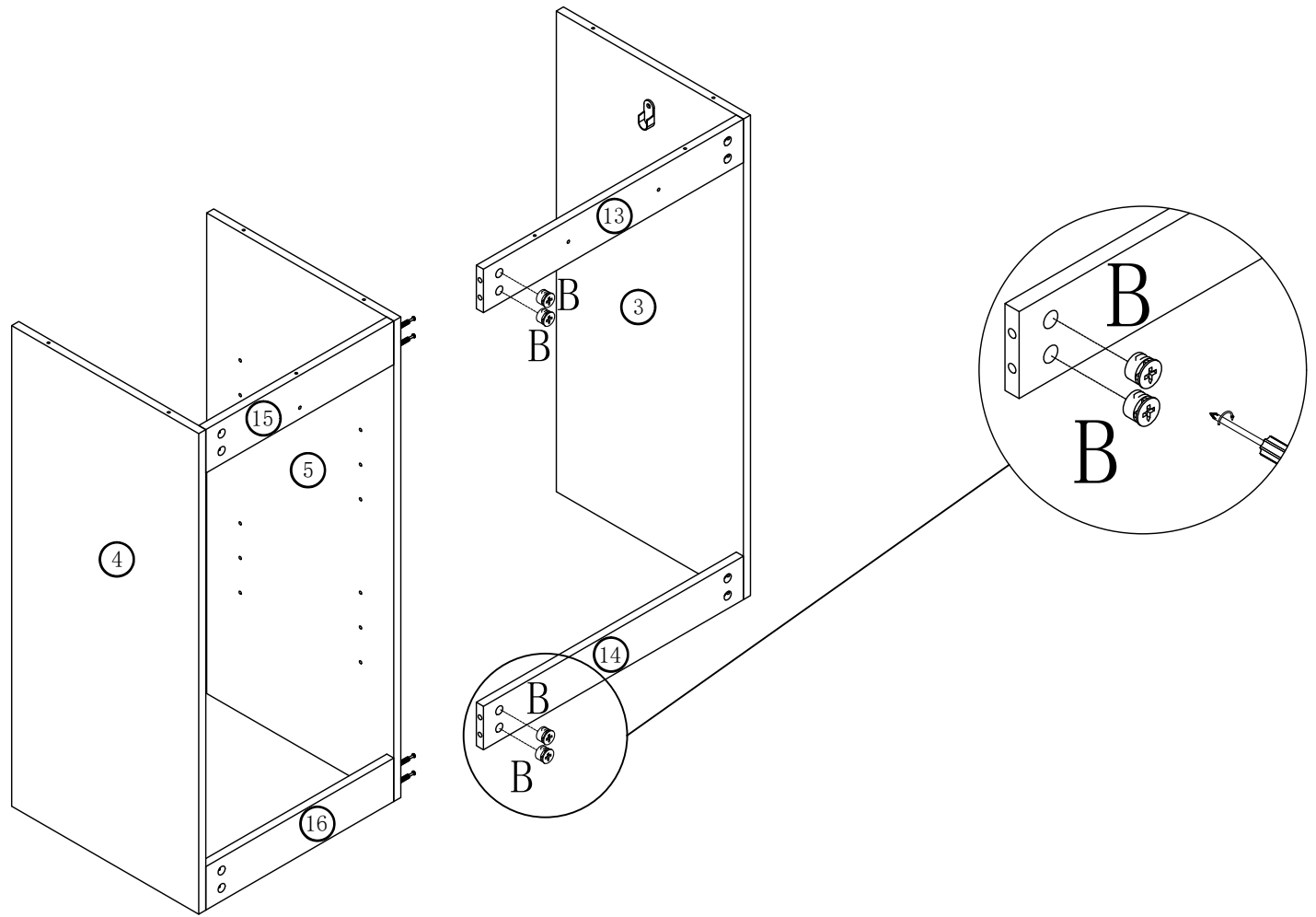
put B on board 13 14 15 16

6



D*2

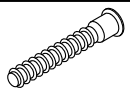
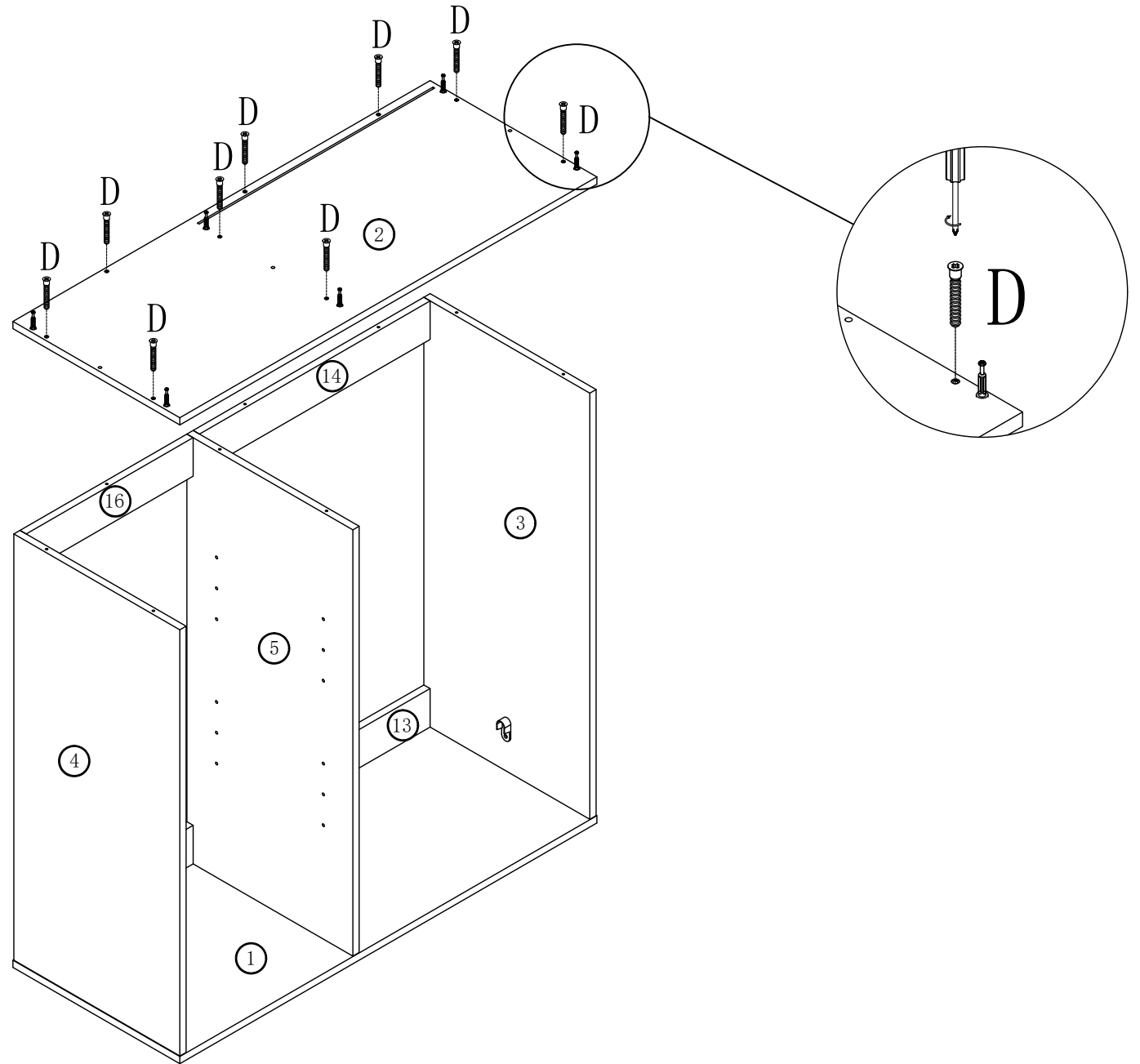
7



B*4

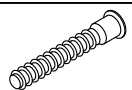
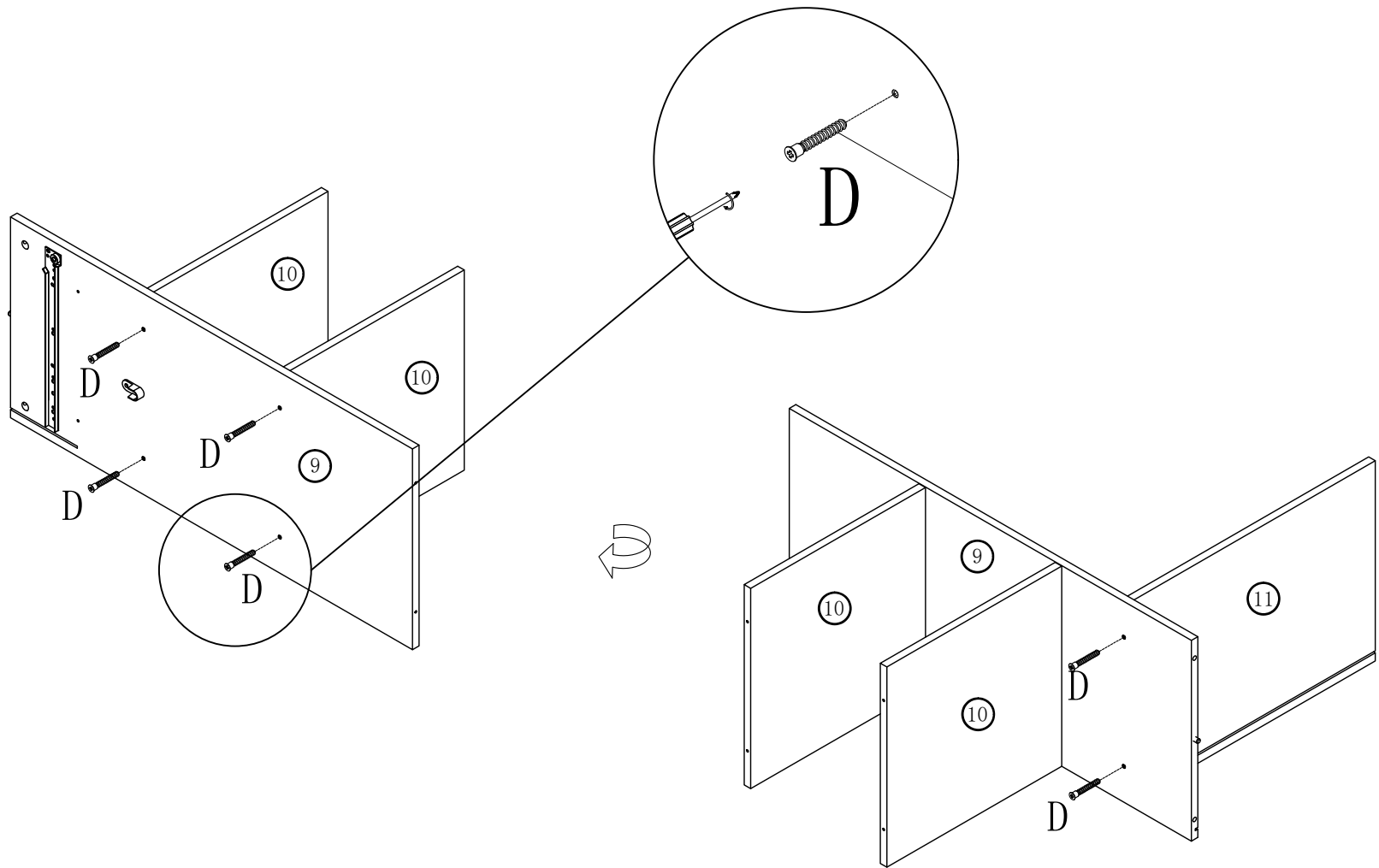
put B on board 13 14

9



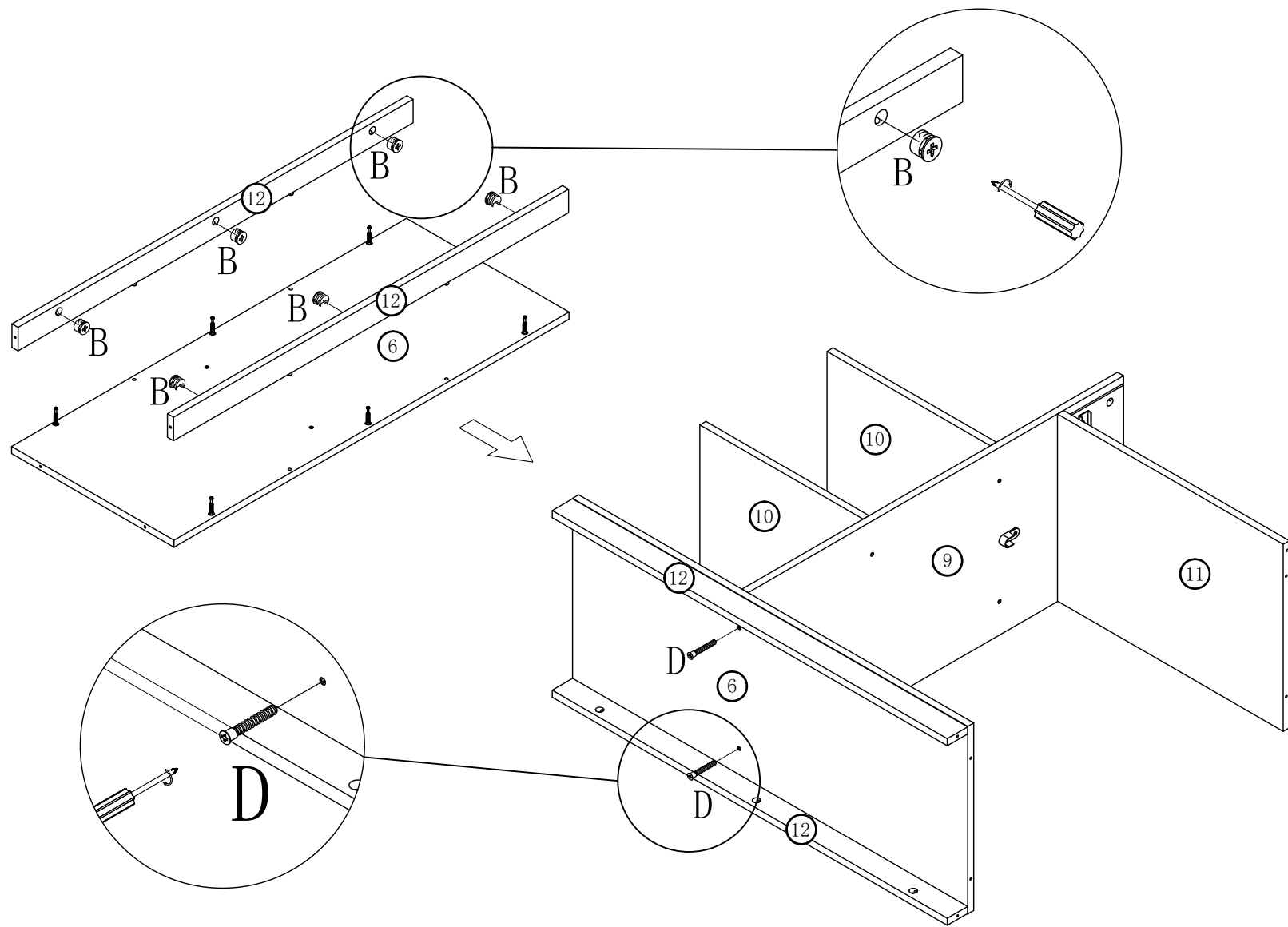
D*9

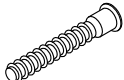
10



D*6

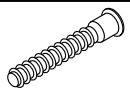
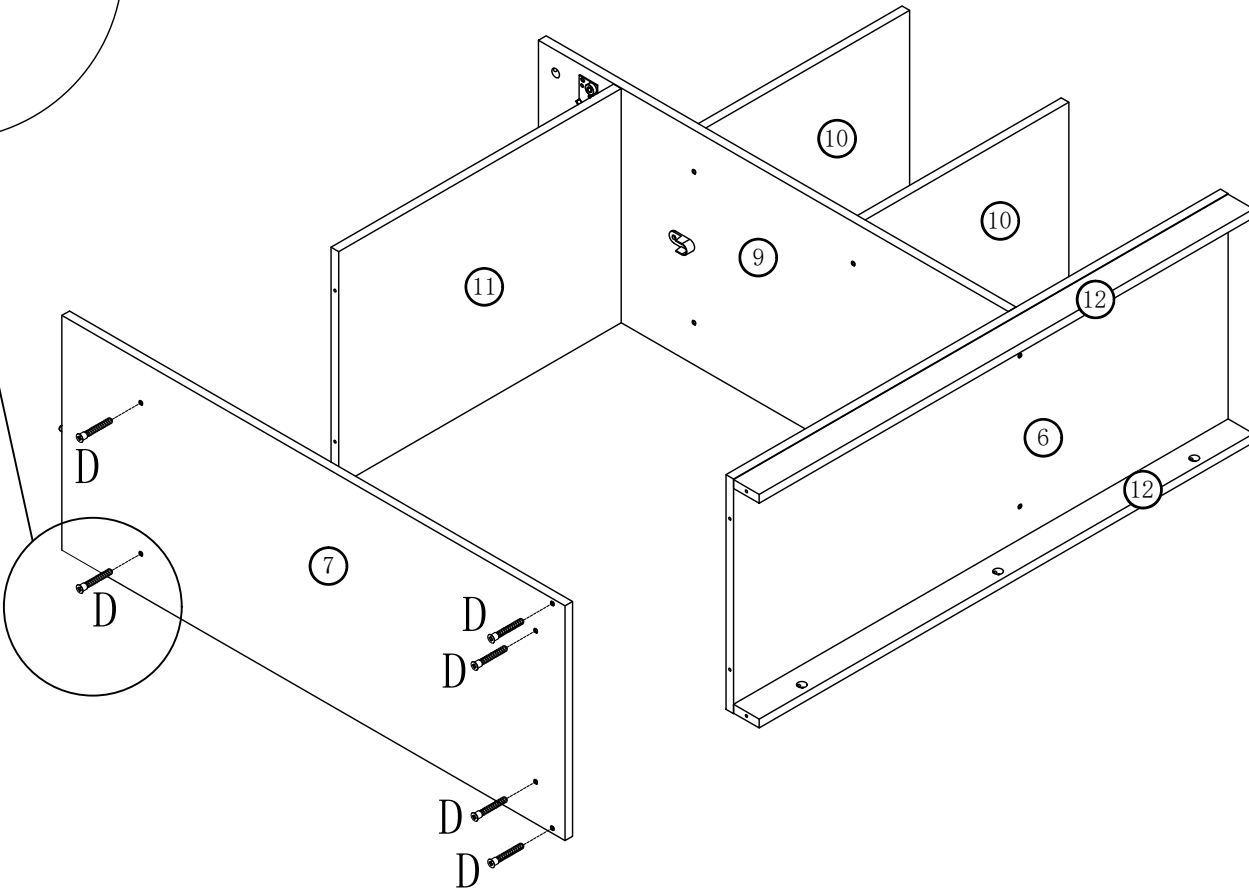
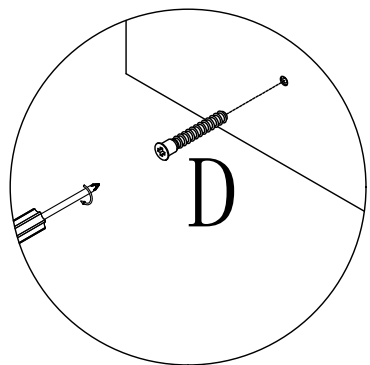
11



	B*6
	D*2

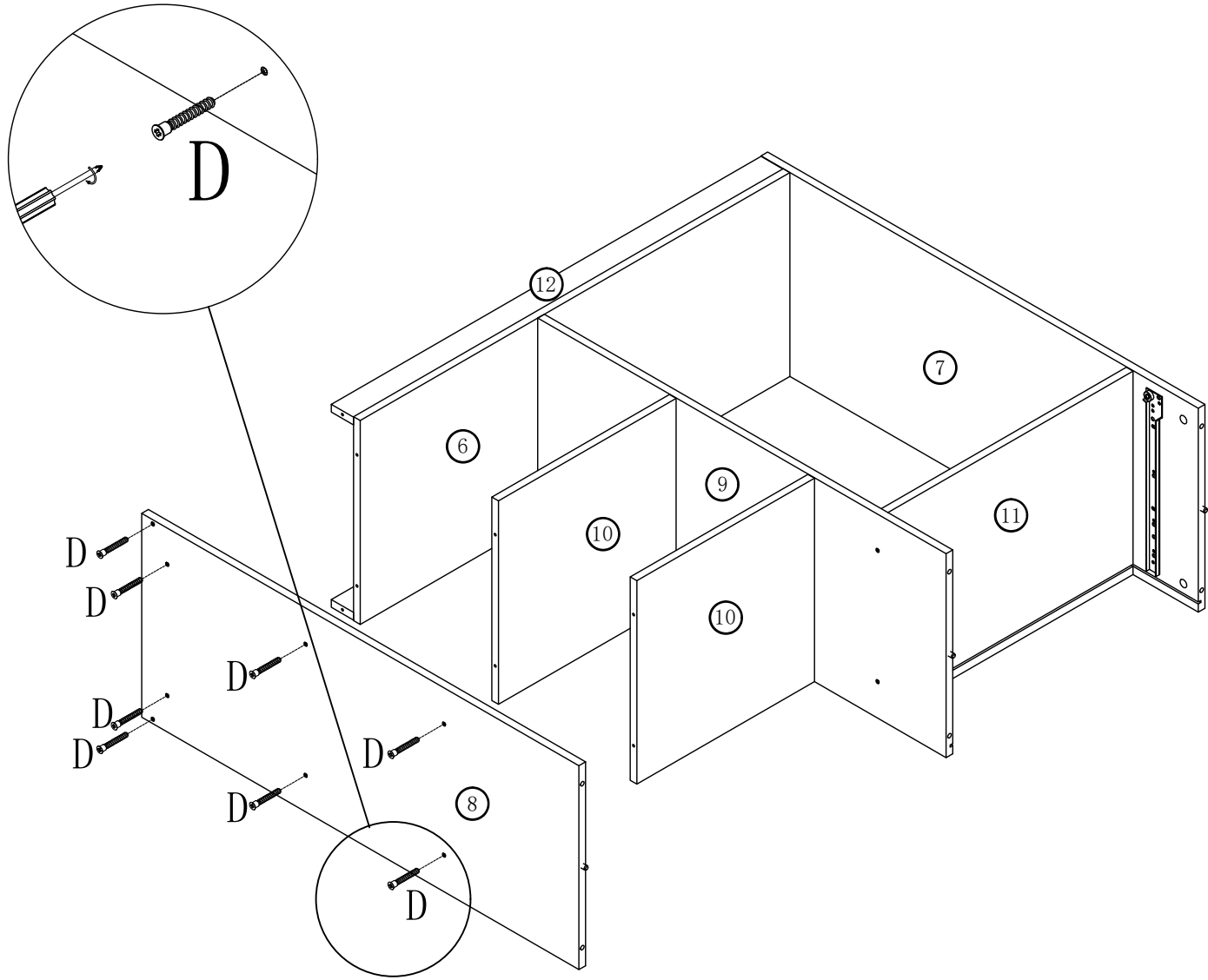
put B on board 12

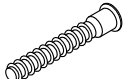
12



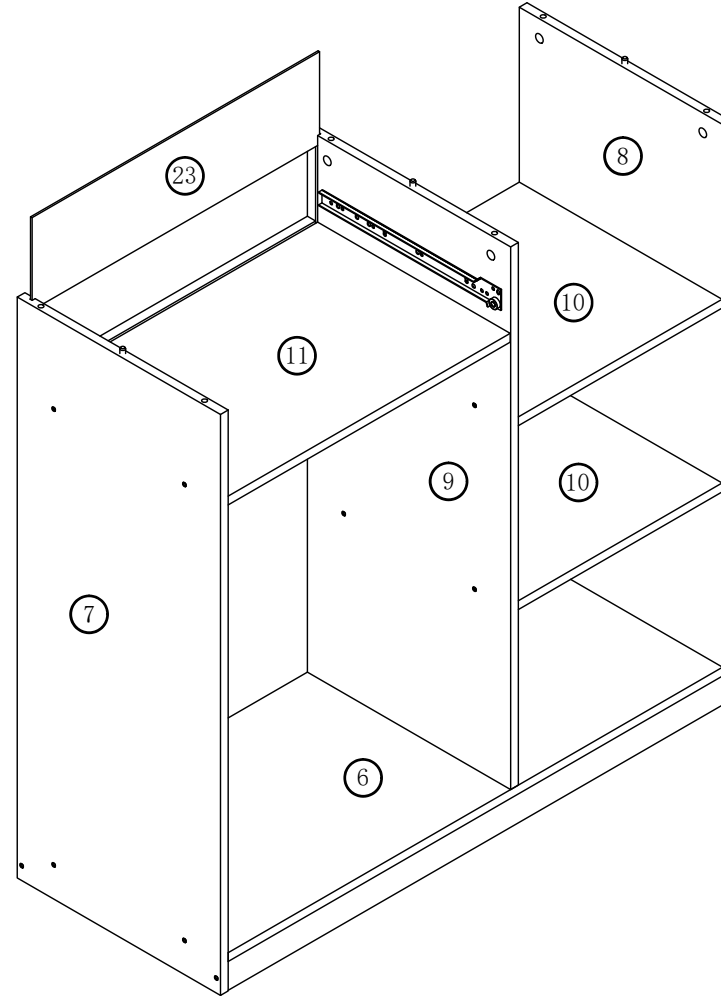
D*6

13

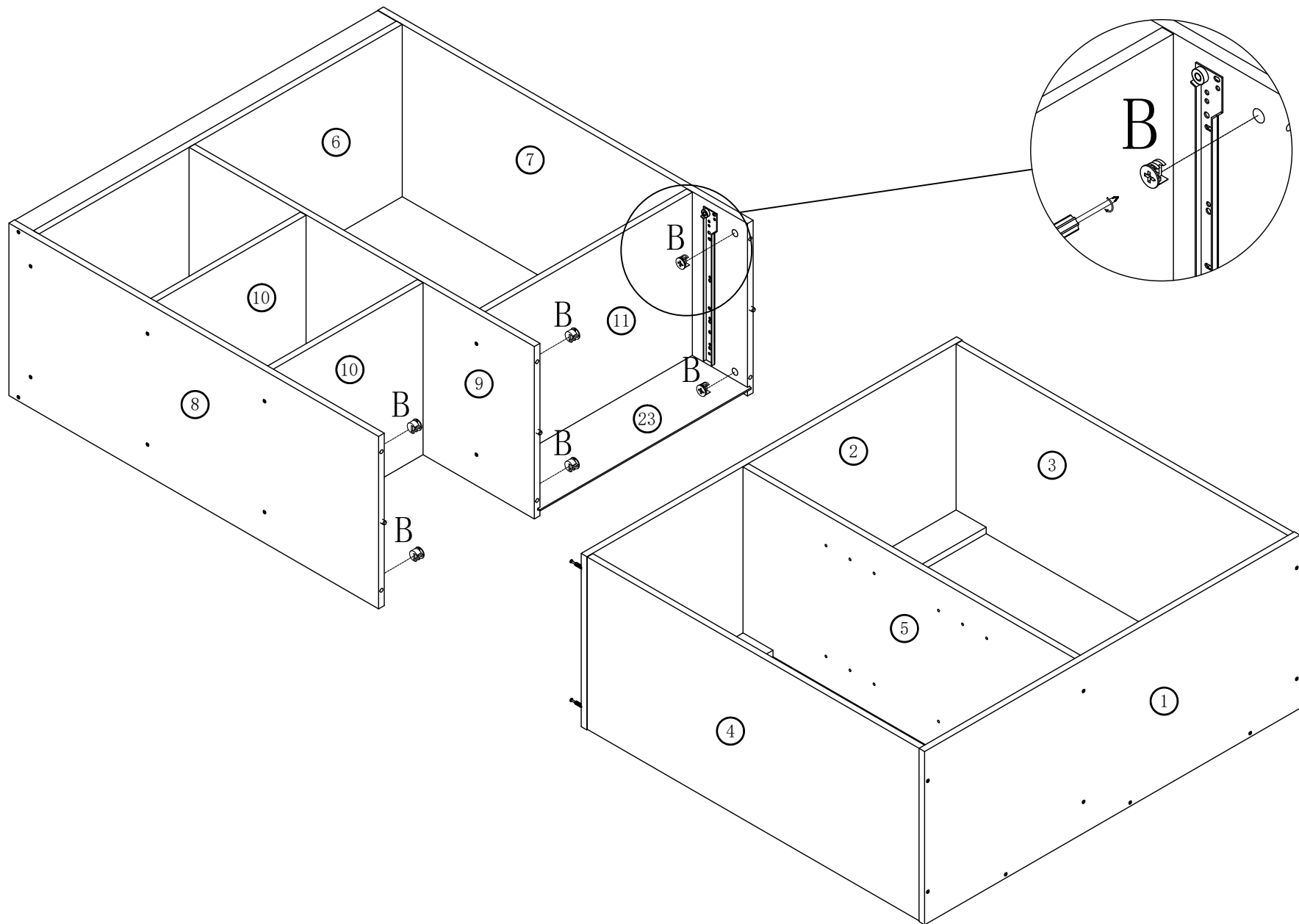


	D*8
---	-----

14



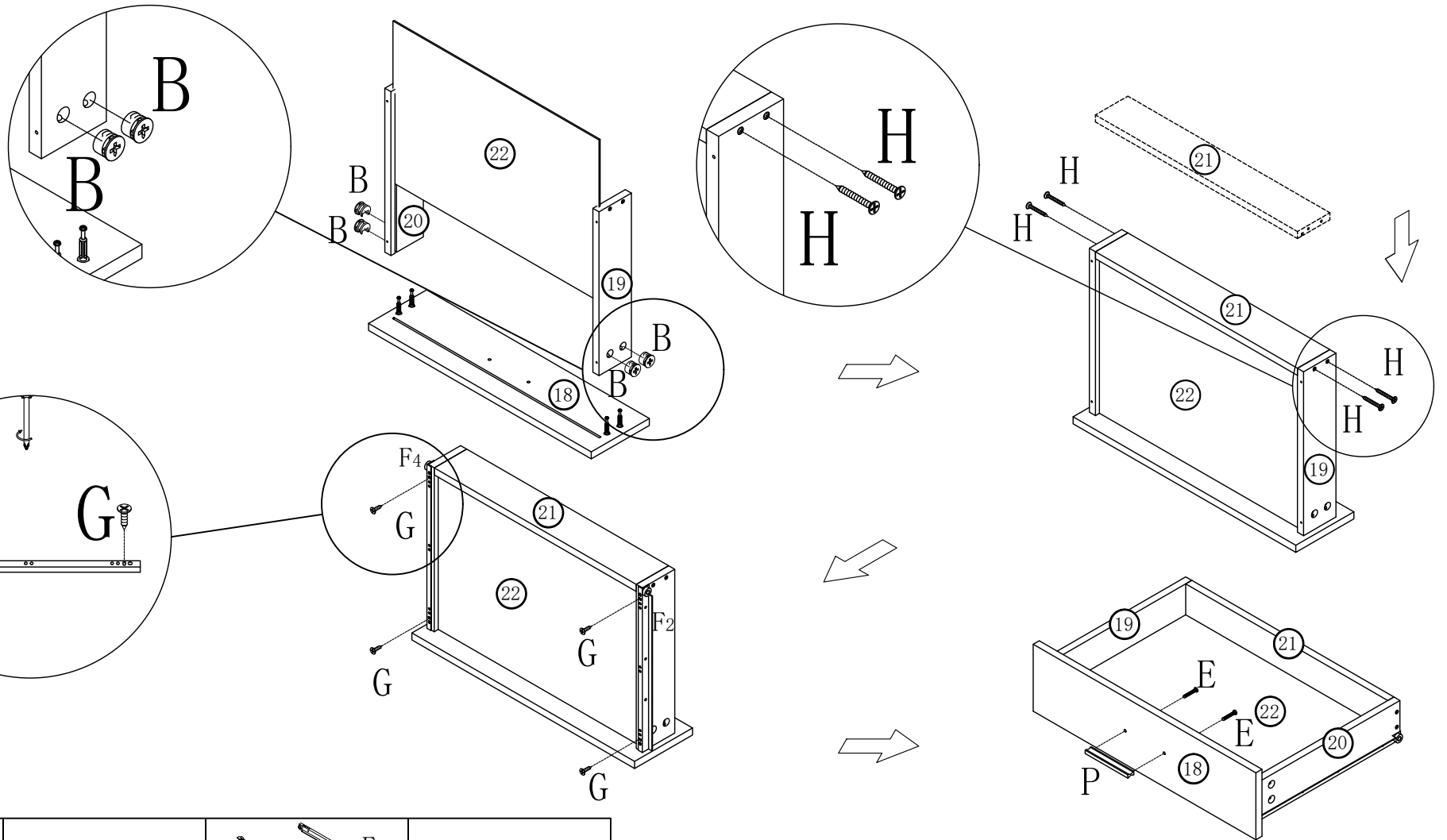
15


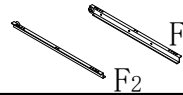
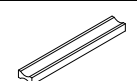


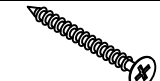


B*6

put B on board 7 8 9

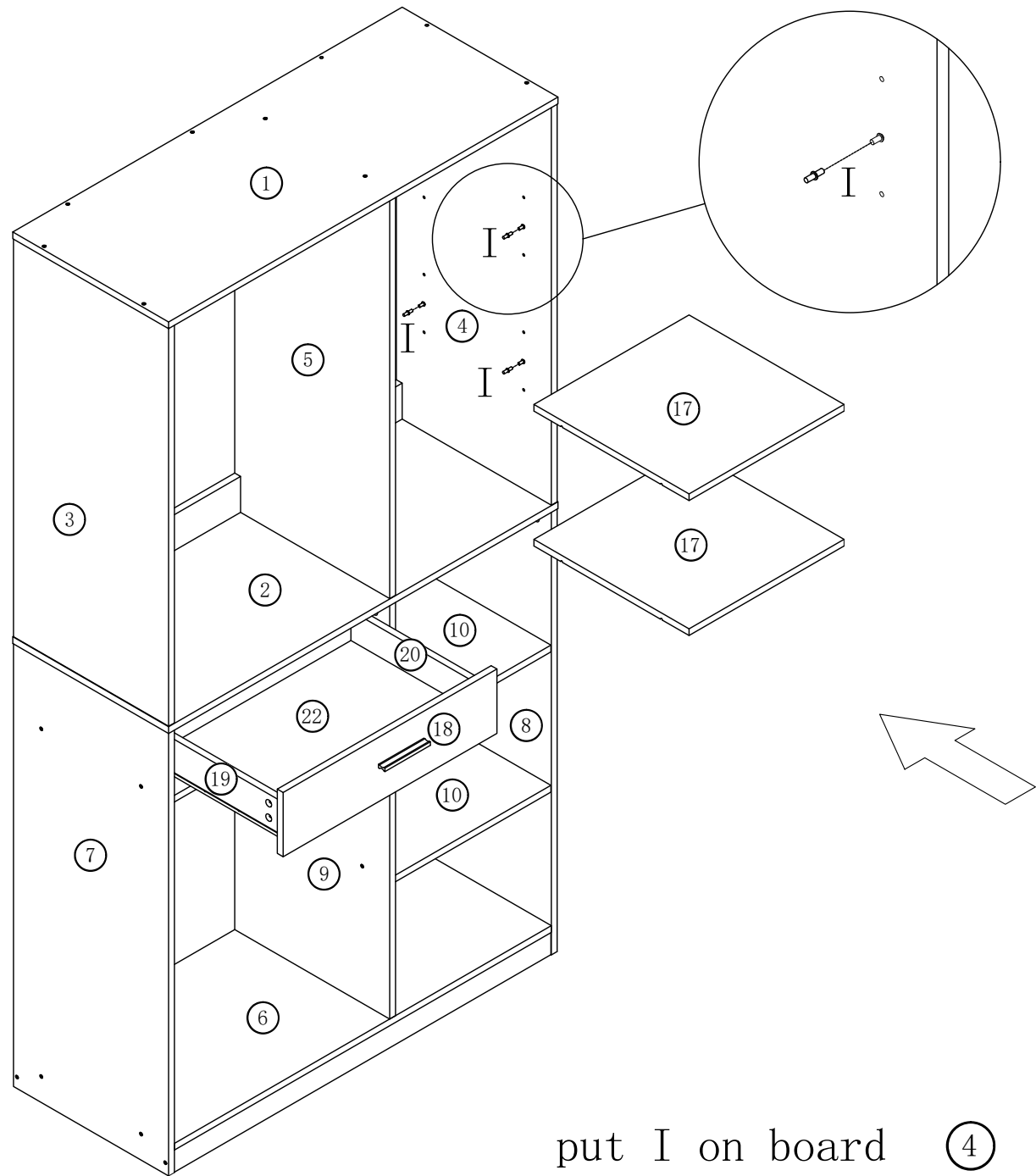
16



	B*4		F*1
	P*1		G*4
	E*2		H*4

put B on board ①⑨ ②⑩

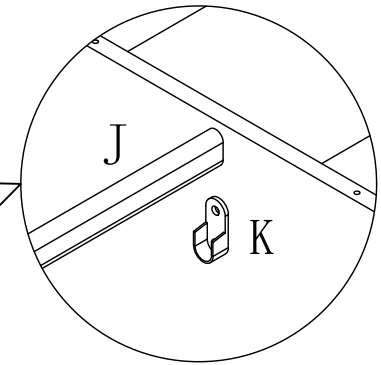
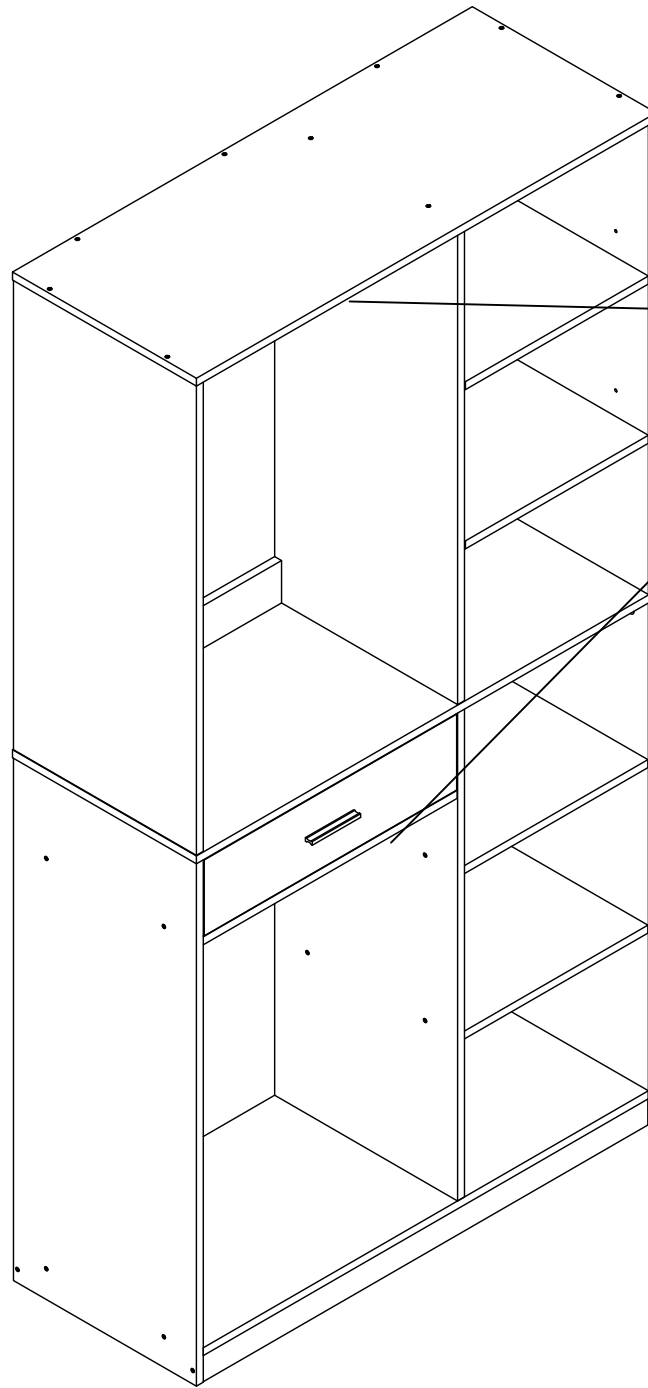
17



I*8

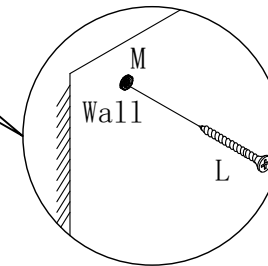
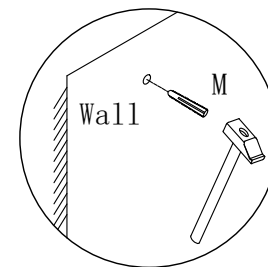
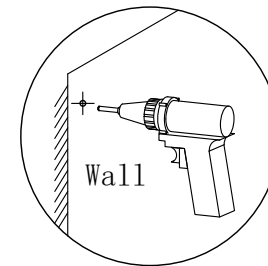
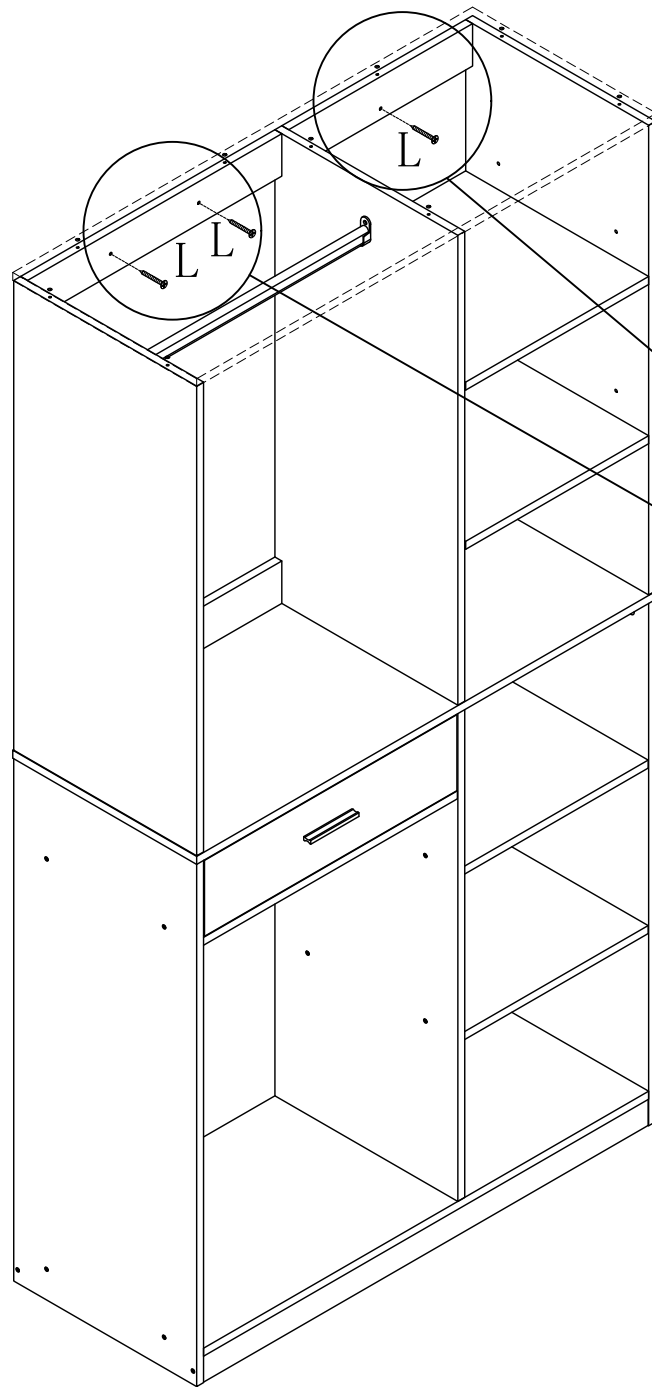
put I on board ④ ⑤

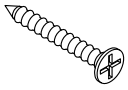

18



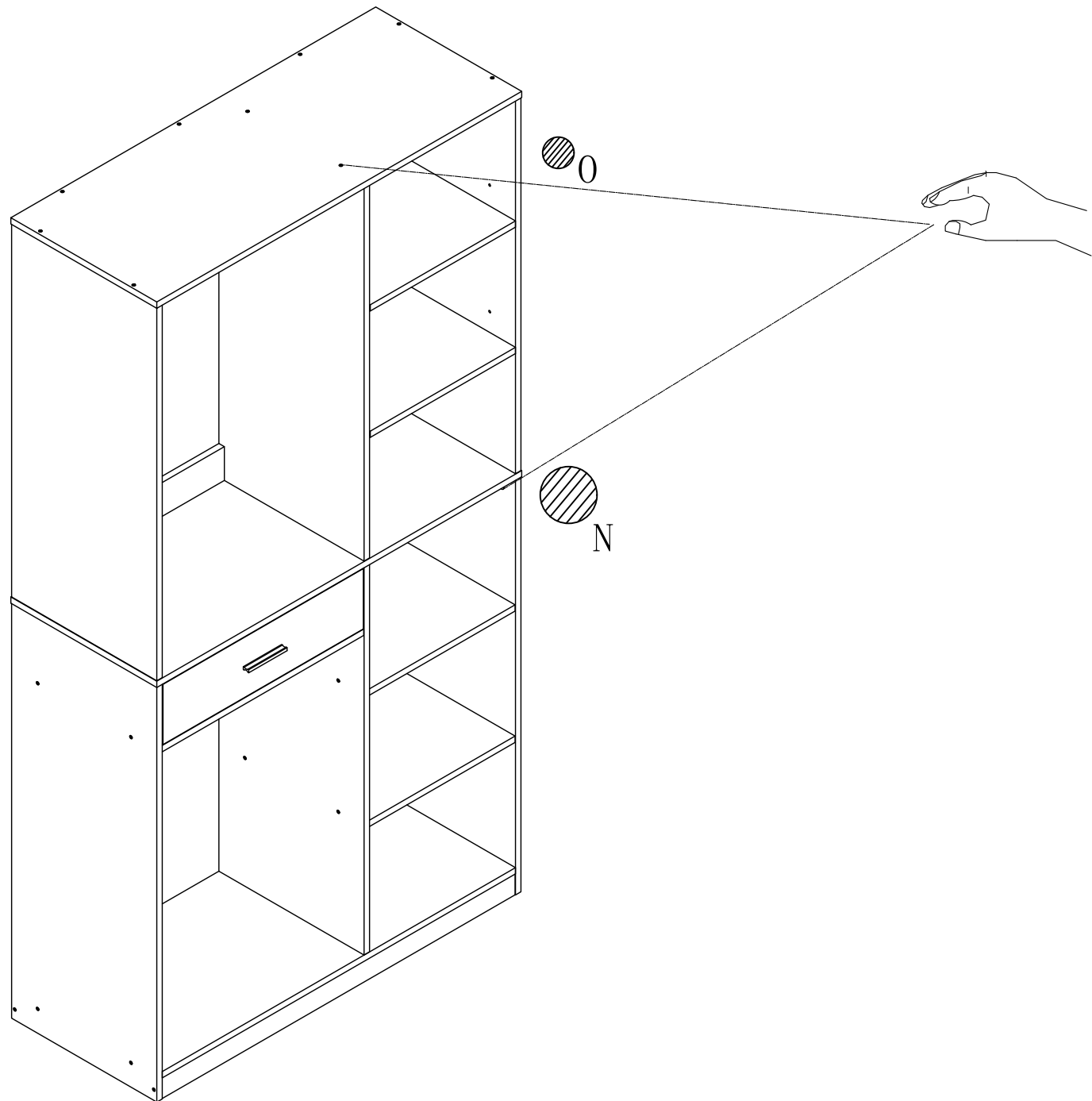
J*2



19



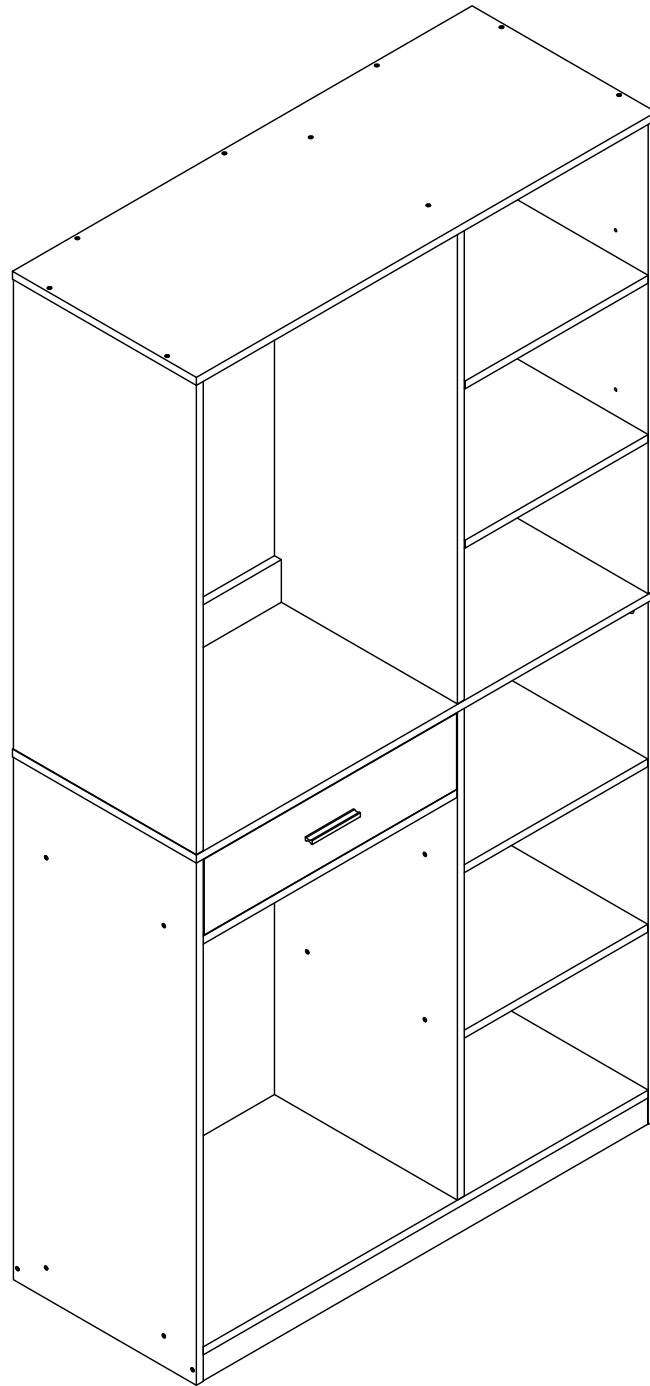
	L*3
	M*3

20



	N*14
	0*18

21



END