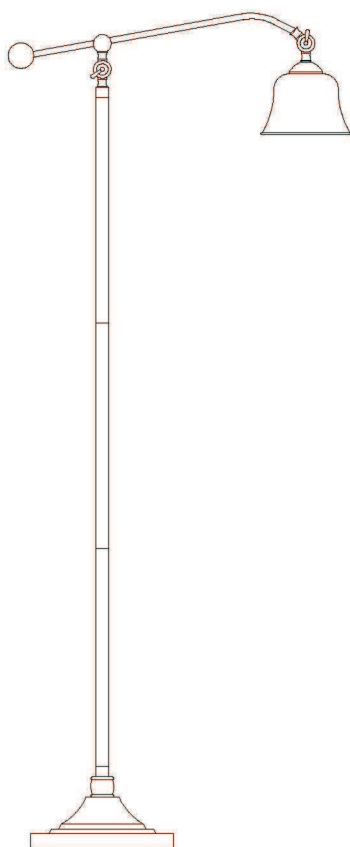


ASSEMBLY INSTRUCTIONS



FLOOR LAMP

ASSEMBLY INSTRUCTIONS

ASSEMBLY TIPS:

1. Remove hardware from box and sort by size.
2. Please check to see that all hardware and parts are present prior to start of assembly.
3. Please follow attached instructions in the same sequence as numbered to assure fast & easy assembly.



WARNING!

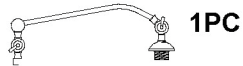
1. Don't attempt to repair or modify parts that are broken or defective. Please contact the store immediately.
2. This product is for home use only and not intended for commercial establishments.

ASSEMBLY TIME

5 MINUTES

PARTS IDENTIFICATION

A ARM



1PC

B SHADE



1PC

C SOCKET RING



1PC

D LED BULB



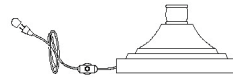
1PC

E TUBE



3PC

F BASE



1PC

G FINIAL



STEP 1

G FINIAL



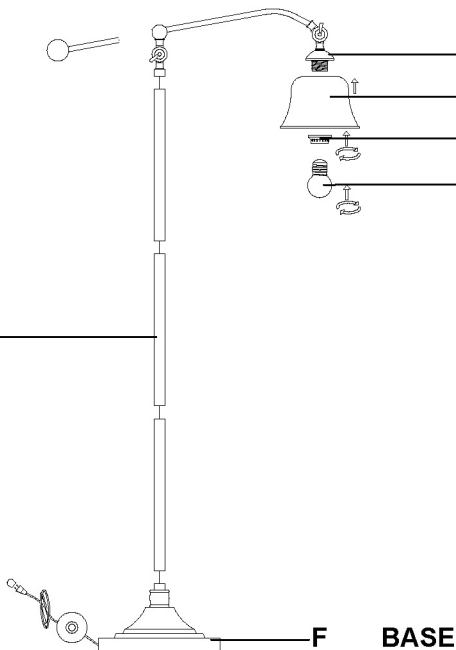
A ARM

B SHADE

C SOCKET RING

D LED BULB

E TUBE

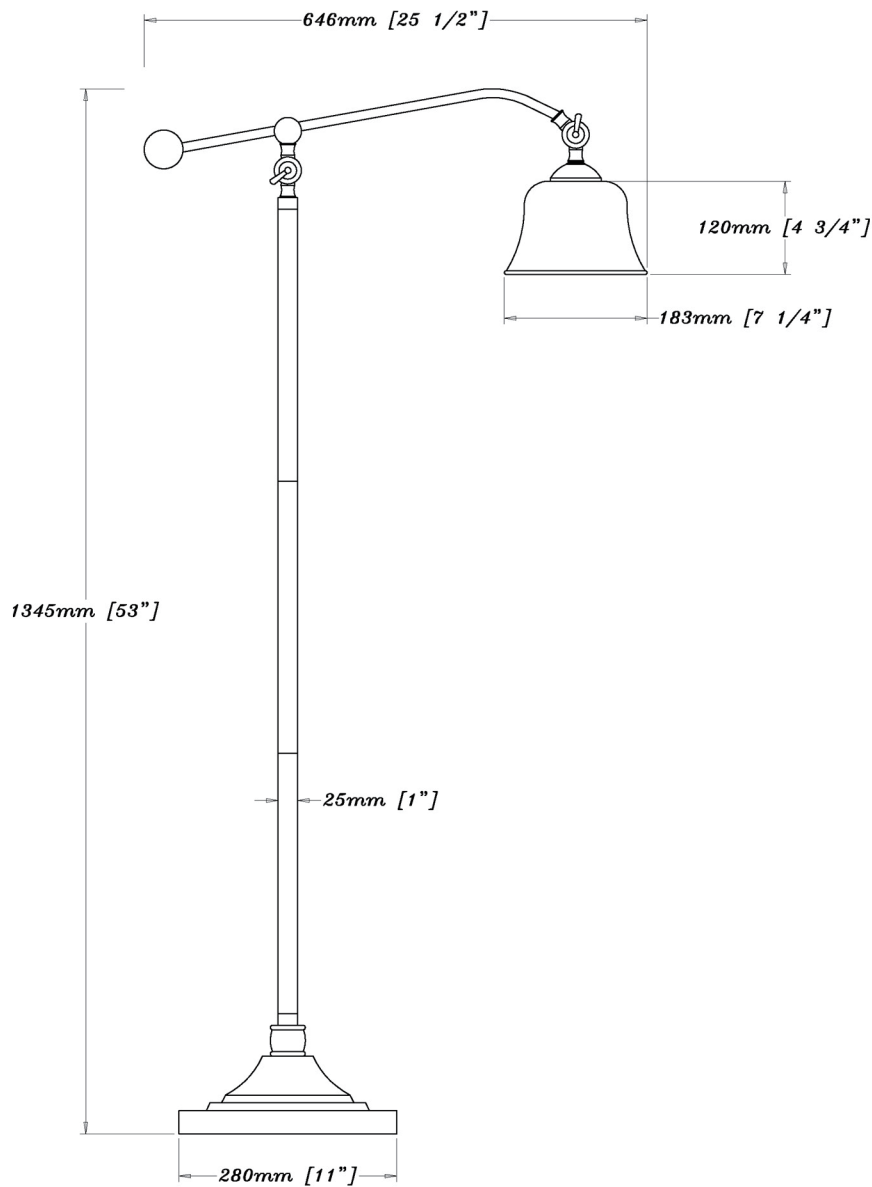


F BASE

As a safety feature, and to reduce the risk of electric shock, this portable lamp includes a polarized plug (one blade is wider than the other). The plug will fit into a polarized outlet in a single direction only. If the plug does not fit fully in the outlet, reverse the plug and try again.

If it still does not fit, contact a qualified electrician. DO NOT use with an extension cord unless, can be fully inserted. DO NOT alter the plug.

PRODUCT/PART DIMENSIONS



As a safety feature, and to reduce the risk of electric shock, this portable lamp includes a polarized plug (one blade is wider than the other).

The plug will fit into a polarized outlet in a single direction only.

If the plug does not fit fully in the outlet, reverse the plug and try again.

If it still does not fit, contact a qualified electrician. DO NOT use with an extension cord unless, can be fully inserted. DO NOT alter the plug